



58th ST
 N
 SCALE: 1"=200'

SOUTH SUPERIOR-DISTRICT 5
INDEX

- 41. INDEX SHEET
- 42. SITE PLAN-1
- 43. SITE PLAN-2
- 44. FENCING & PLANTING PLAN
- 45. INLET STRUCTURE
- 46. INLET STRUCTURE
- 47. PLANT FLOOR PLAN
- 48. PLANT SUBFLOOR PLAN
- 49. PLANT SECTIONS
- 50. PLANT SECTIONS
- 51. PLANT SECTION & DETAILS
- 52. PLANT DETAILS
- 53. PLANT DETAILS
- 54. OUTLET STRUCTURE & MISCELLANEOUS DETAILS
- 55. OVERFLOW STRUCTURE
- 56. PIPING ISOMETRICS
- 57. ARCHITECTURAL DETAILS
- 58. BUILDING ELEVATIONS
- 59. DRAINAGE PIPING PLAN
- 60. INLET STRUCTURE - STRUCTURAL
- 61. INLET STRUCTURE - STRUCTURAL
- 62. FLOOR PLAN & FOOTING DETAILS
- 63. FLOOR PLAN - STRUCTURAL
- 64. PLANT SECTIONS - STRUCTURAL
- 65. PLANT SECTIONS - STRUCTURAL
- 66. PLANT SECTIONS - STRUCTURAL
- 67. ROOF PLAN & SECTIONS
- 68. MASONRY - STRUCTURAL
- 69. MASONRY - STRUCTURAL
- 70. OVERFLOW STRUCTURE - STRUCTURAL
- 71. MECHANICAL
- 72. MECHANICAL
- 73. ELECTRICAL
- 74. ELECTRICAL
- 75. ELECTRICAL
- 76. GRAPHIC PANEL
- 77. ELECTRICAL
- 78. ELECTRICAL

AREA PLAN

SEE SHEET 2 FOR INDEX TO BILLINGS PARK PLANT

HEREBY CERTIFY THAT THIS PLAN WAS PREPARED BY ME
 OR UNDER MY DIRECT SUPERVISION AND THAT I AM A duly
 LICENSED PROFESSIONAL ENGINEER UNDER THE LAWS OF
 THE STATE OF WISCONSIN

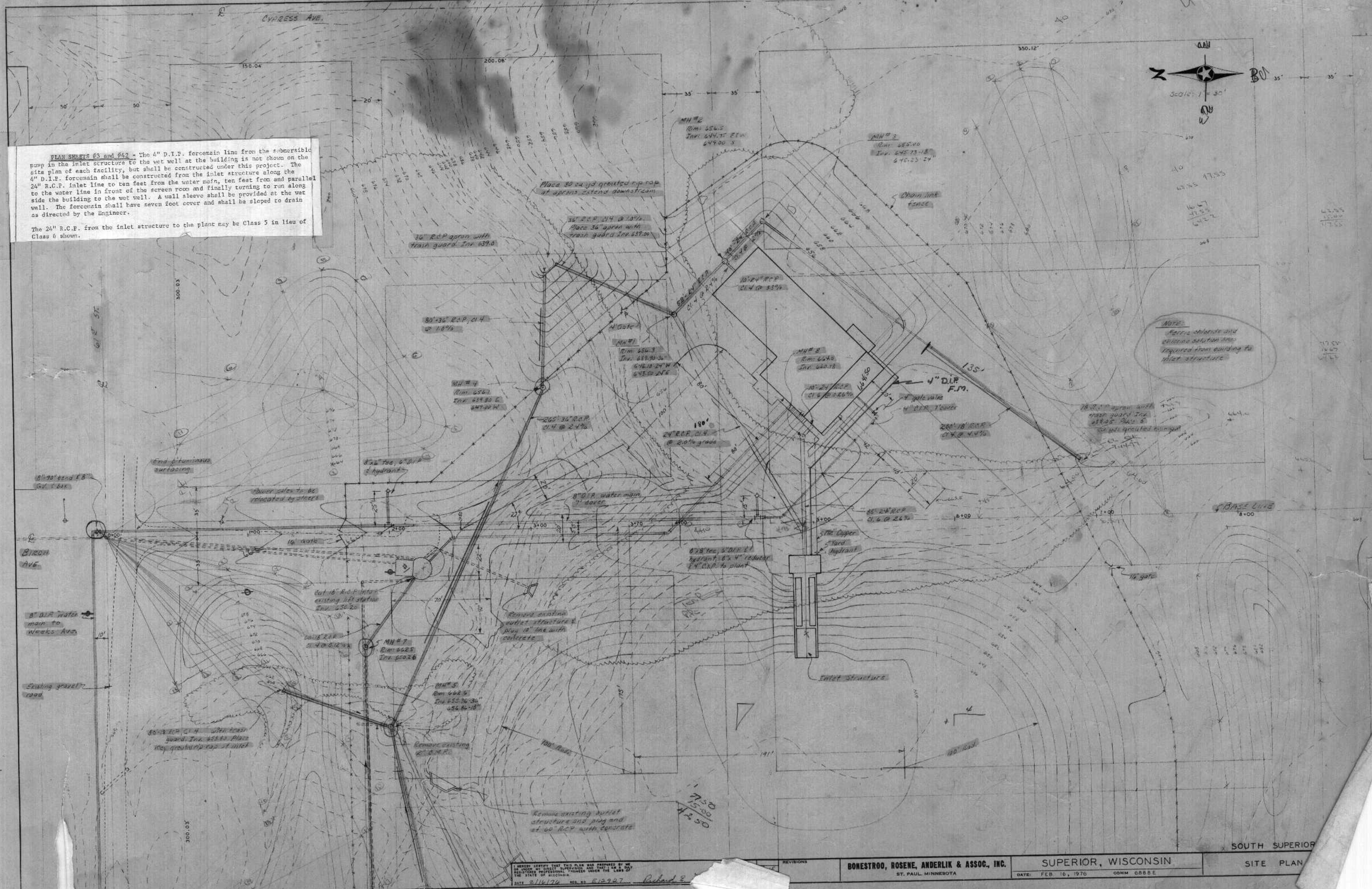
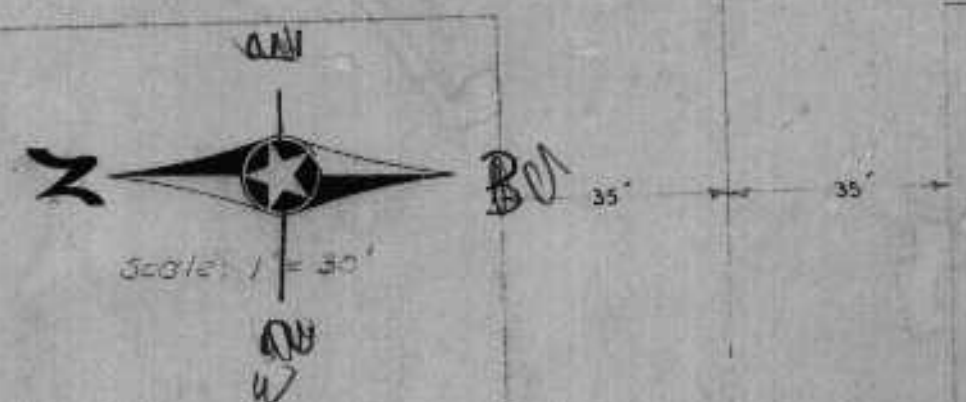
BONESTROO, ROSENE, ANDERLIK & ASSOC., INC.
 ST. PAUL, MINNESOTA

SUPERIOR, WISCONSIN
 DATE: FEB. 17, 1970

SOUTH SUPERIOR
 INDEX SHEET

PLAN SHEETS #3 and #42 - The 4" D.I.P. forcemain line from the submersible pump in the inlet structure to the wet well at the building is not shown on the site plan of each facility, but shall be constructed under this project. The 4" D.I.P. forcemain shall be constructed from the inlet structure along the 24" R.C.P. inlet line to ten feet from the water main, ten feet from and parallel to the water line in front of the screen room and finally turning to run along the side of the building to the wet well. A wall sleeve shall be provided at the wet well. The forcemain shall have seven foot cover and shall be sloped to drain as directed by the Engineer.

The 24" R.C.P. from the inlet structure to the plant may be Class 5 in lieu of Class 6 shown.



NOTE
 Extra slabs and
 existing solution are
 required from guiding to
 inlet structure.

48.6
 2.3
 50.9

7.50
 15.50
 14.50

I HEREBY CERTIFY THAT THIS PLAN WAS PREPARED BY ME
 A REGISTERED PROFESSIONAL ENGINEER UNDER THE LAWS OF
 THE STATE OF WISCONSIN.
 DATE 2/16/76 REG. NO. 512927 Robert E.

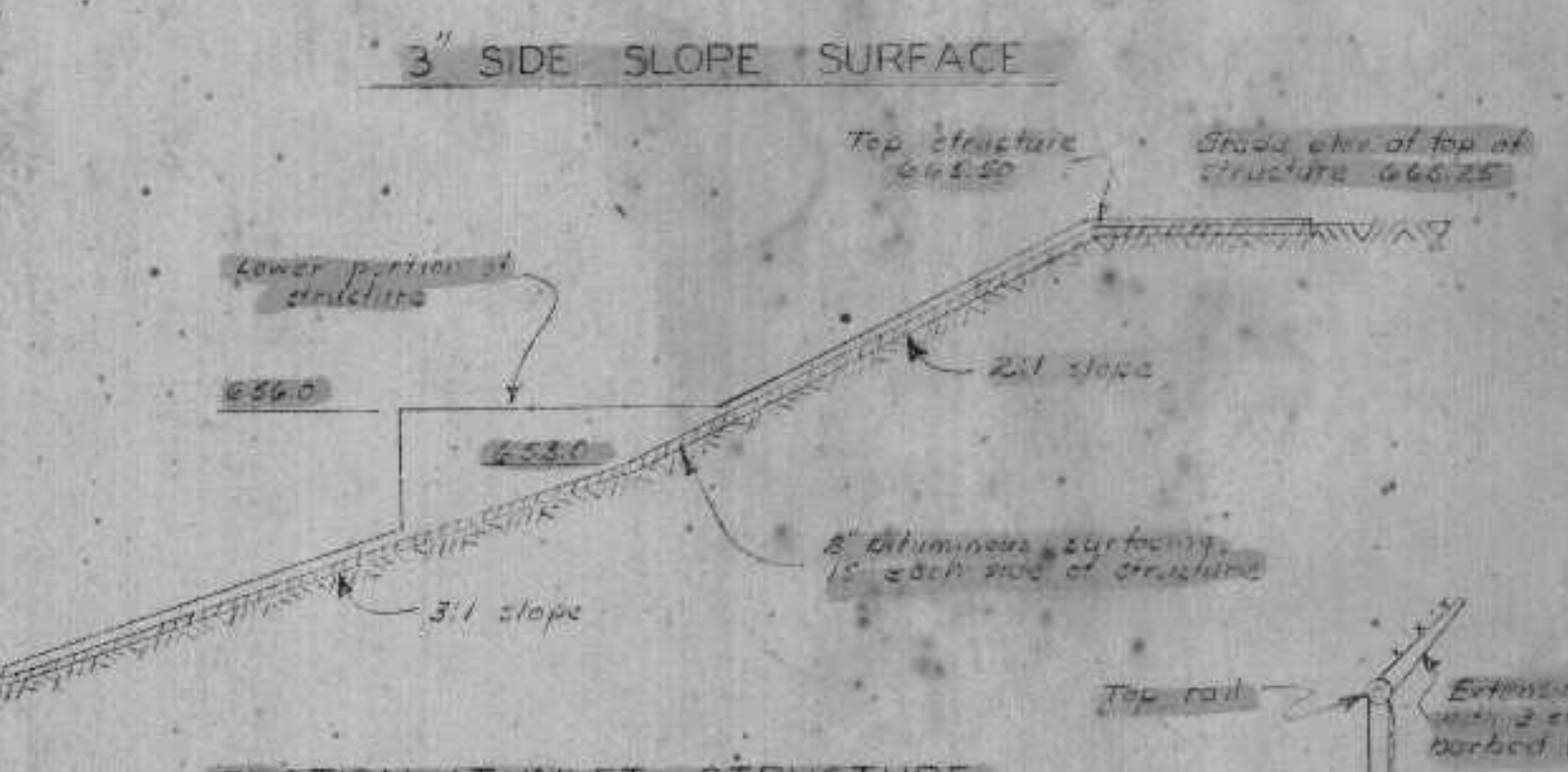
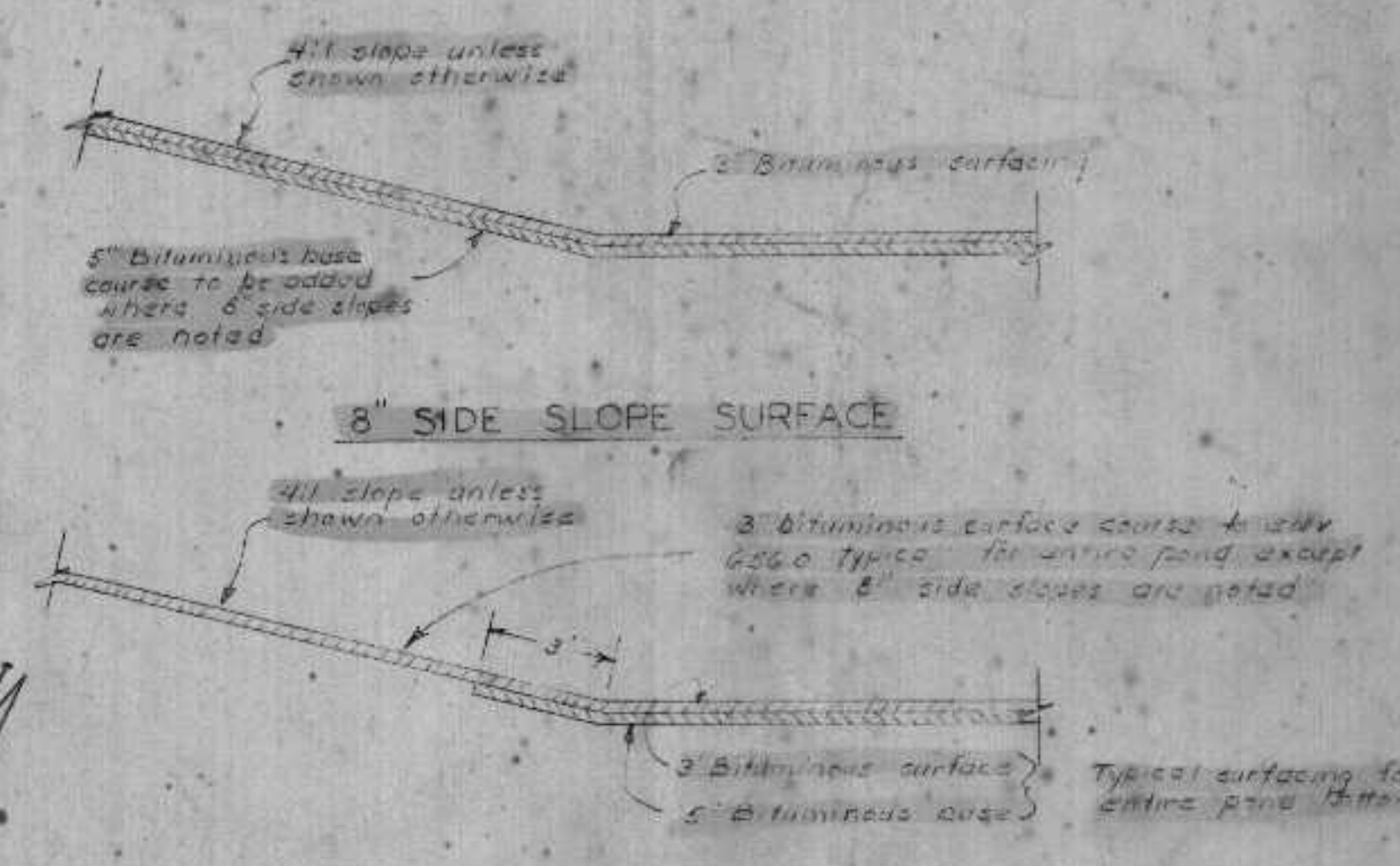
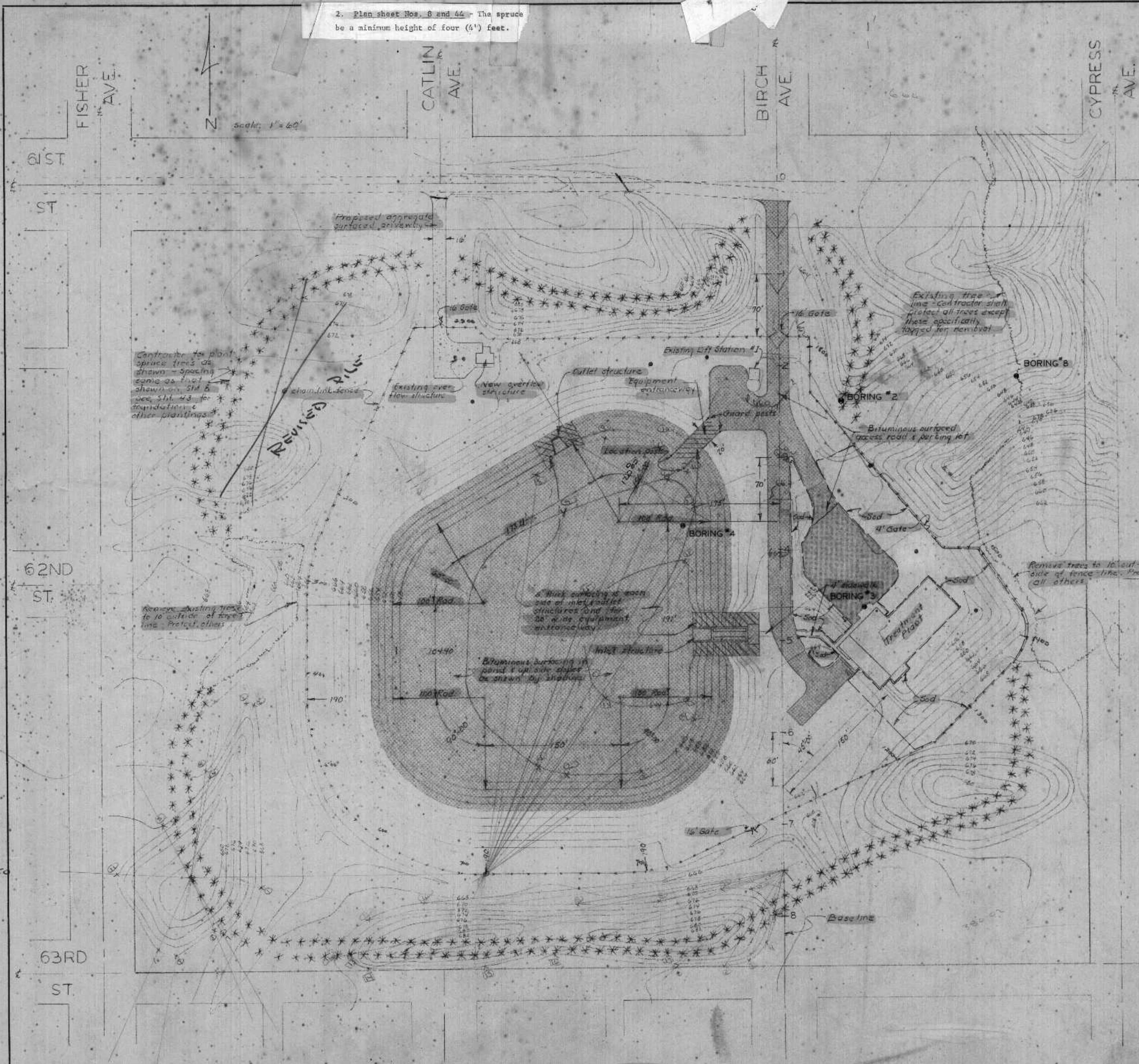
REVISIONS

BONESTROO, ROSENE, ANDERLIK & ASSOC., INC.
 ST. PAUL, MINNESOTA

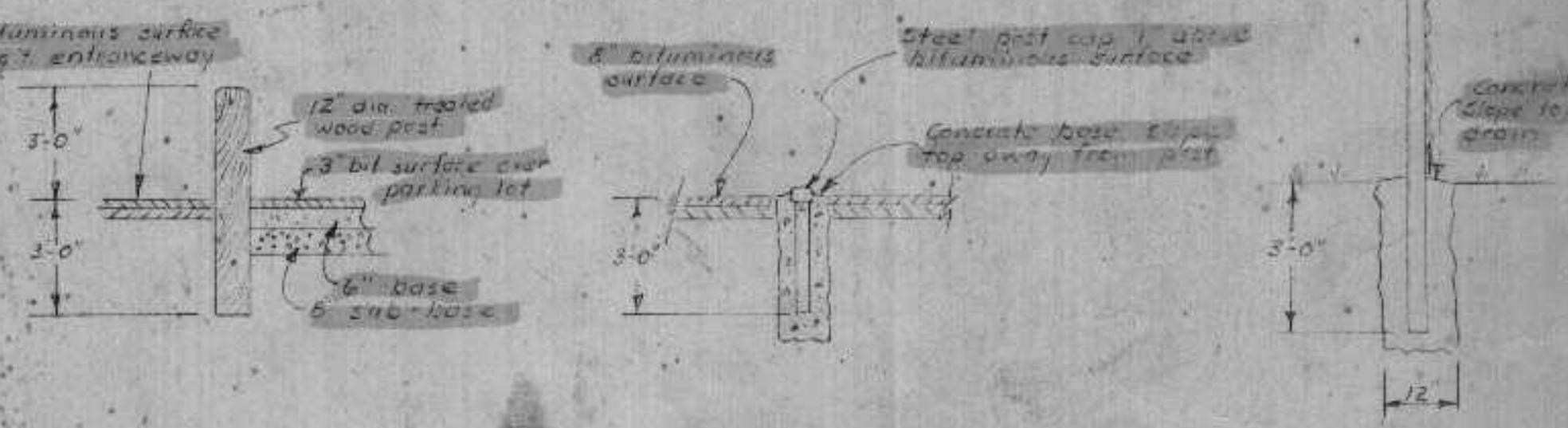
SUPERIOR, WISCONSIN
 DATE: FEB 16, 1976 COMM 6888E

SOUTH SUPERIOR
 SITE PLAN

2. Plan sheet Nos. 3 and 44 - The spruce be a minimum height of four (4') feet.



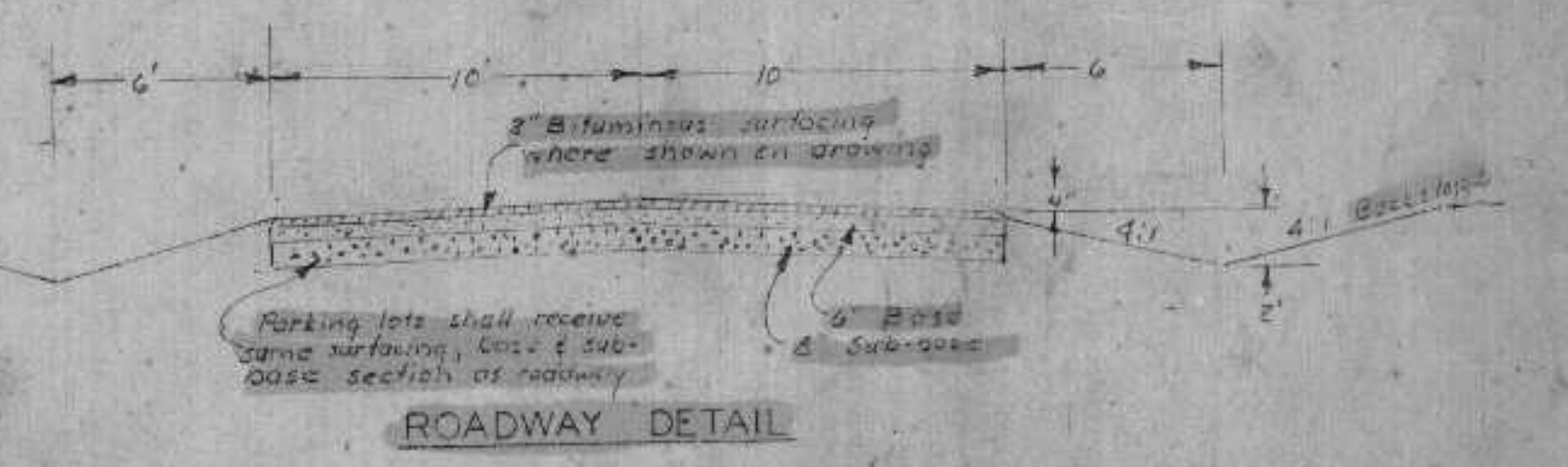
SECTION AT INLET STRUCTURE
Scale: 1" = 10'



GUARD POST DETAIL
Scale: 1/4" = 1'-0"

LOCATION POST DETAIL
Scale: 1/4" = 1'-0"

FENCE DETAIL
Scale: 1/4" = 1'-0"



ROADWAY DETAIL

- NOTES:**
1. Topsoil shall be stripped from all areas to be excavated or to receive fill. Topsoil shall be stockpiled and re-spread at completion of final grading over all slopes 4:1 or greater. Excess topsoil shall be spread evenly with a spreader and distributed during construction. shall be seeded and mulched. Any paved area shall be diked and graded prior to seeding. Mulch shall be a 2\"/>
 - 2. All areas except those receiving aggregate base, bituminous surfacing, or sod, and disturbed during construction, shall be seeded and mulched. Any paved area shall be diked and graded prior to seeding. Mulch shall be a 2\"/>
 - 3. The entire pond bottom and side slopes up to elev. 656.0 shall receive bituminous surfacing as detailed above. Surfacing at inlet structure & equip. entranceway to be placed above elev. 656.0 as detailed above.
 - 4. Remove only those trees specifically tagged. All others shall be fully protected.

FENCING AND PLANTING PLAN
Scale: 1" = 60'

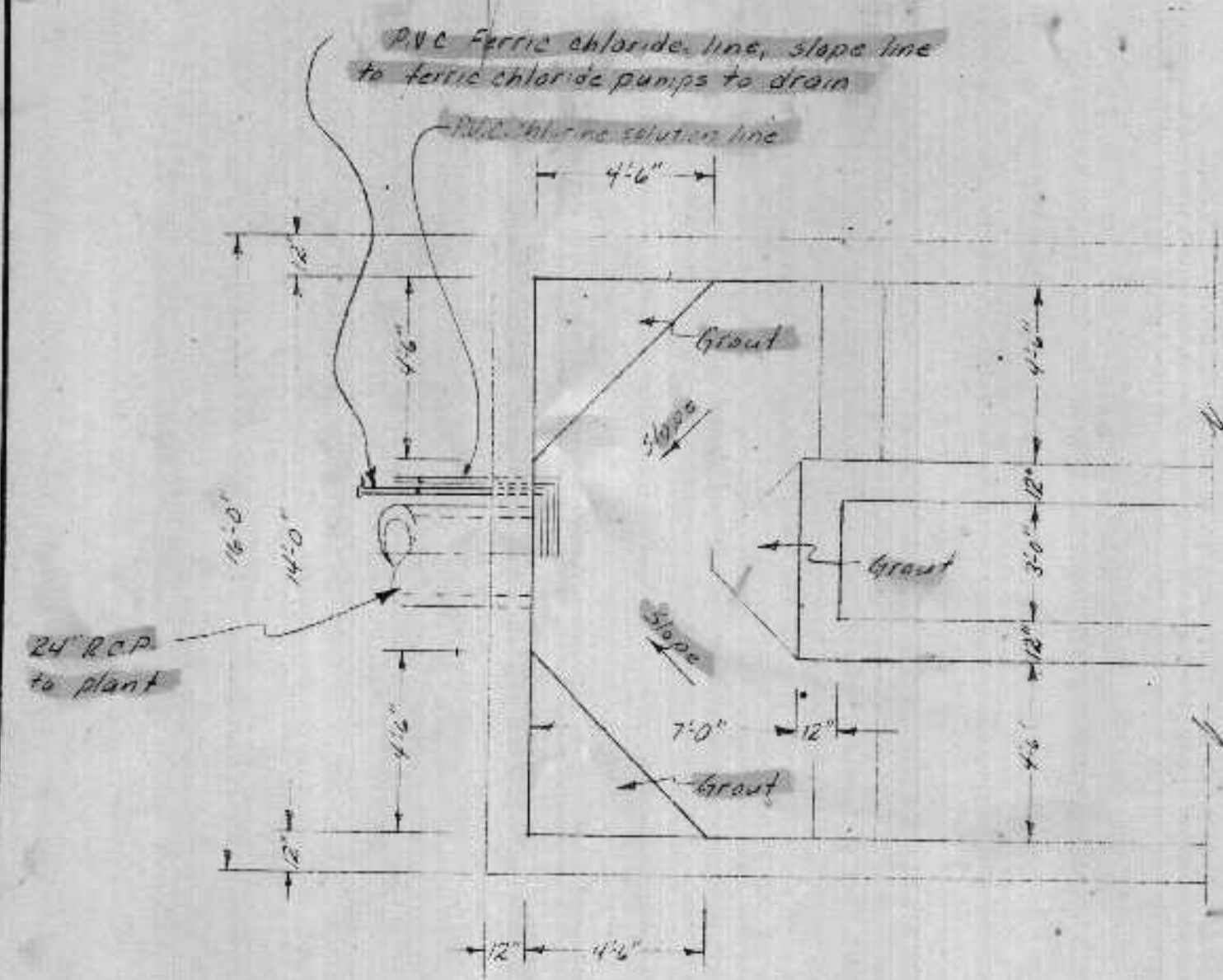
I HEREBY CERTIFY THAT THIS PLAN WAS PREPARED BY ME OR UNDER MY DIRECT SUPERVISION AND THAT I AM A LICENSED SURVEYOR UNDER THE LAWS OF THE STATE OF WISCONSIN.
DATE: 2/16/76 REG. NO. F12927 Richard E. Turner

SURVEY	REVISIONS
DRAWN	BY
DESIGN	DATE
APPROVED	BY

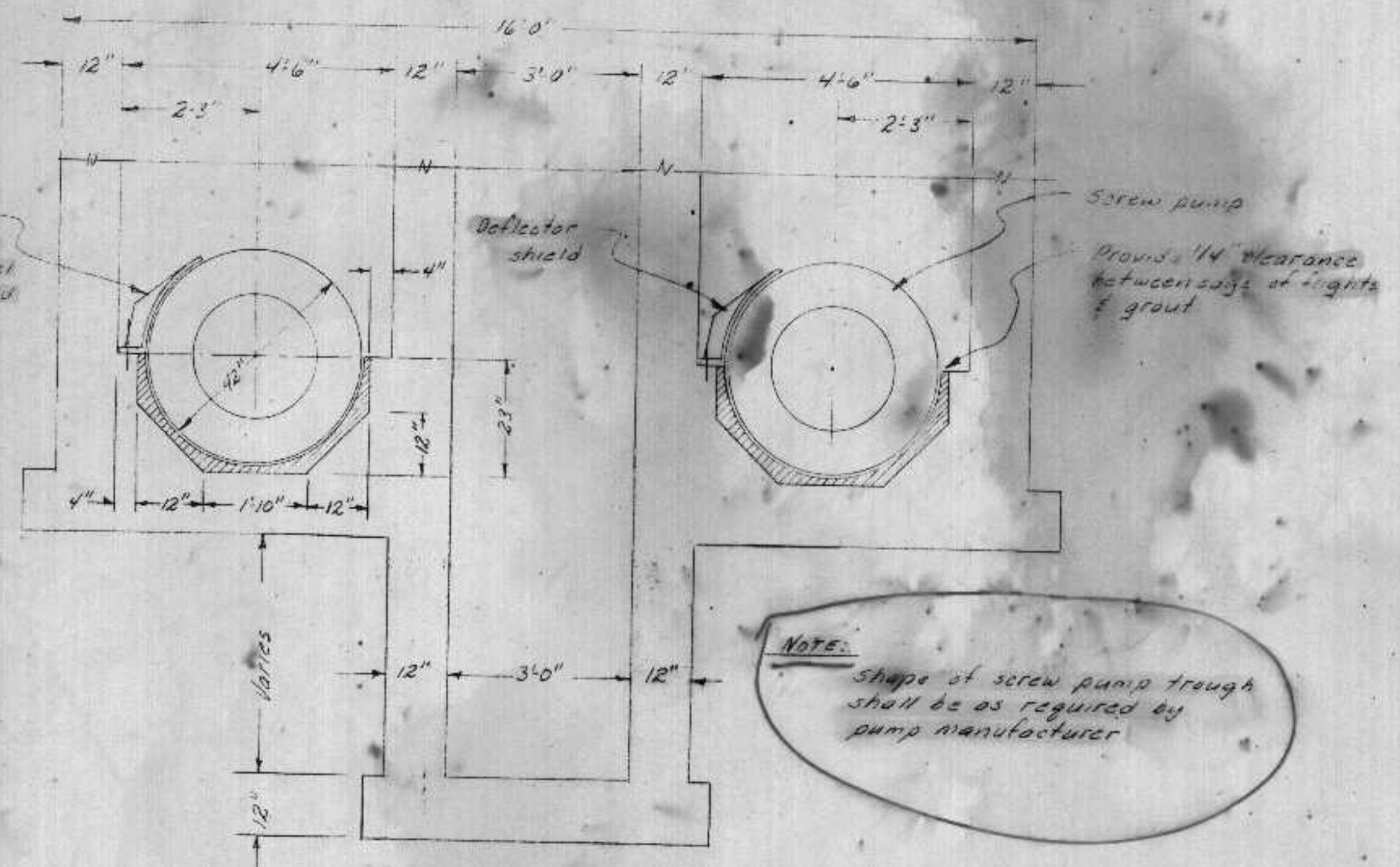
BONESTROO, ROSENE, ANDERLIK & ASSOC., INC.
ST. PAUL, MINNESOTA

SUPERIOR, WISCONSIN
DATE: FEB. 16, 1976 COMM 6888 E

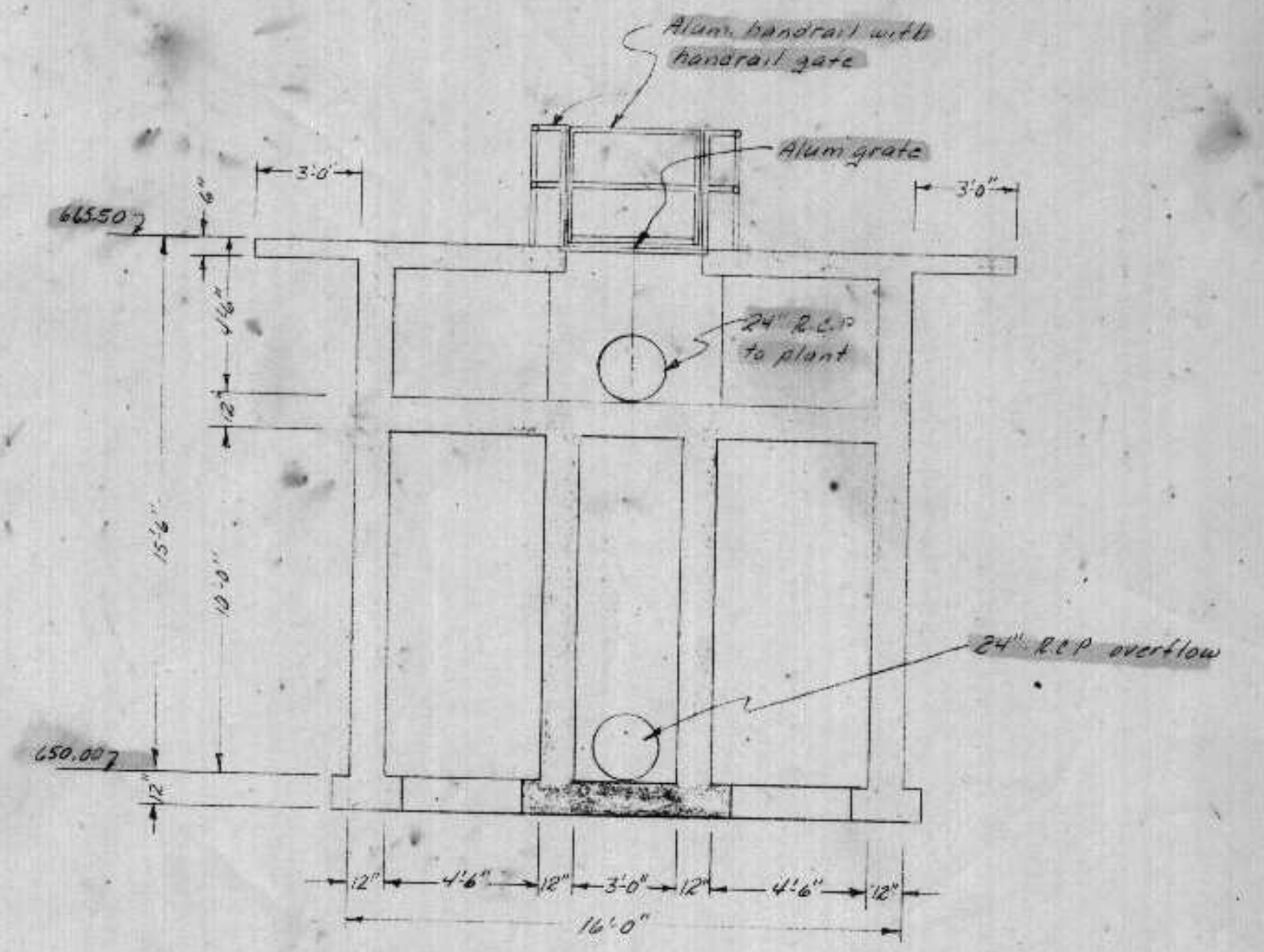
SOUTH SUPERIOR CSO PLANT
FENCING & PLANTING PLAN



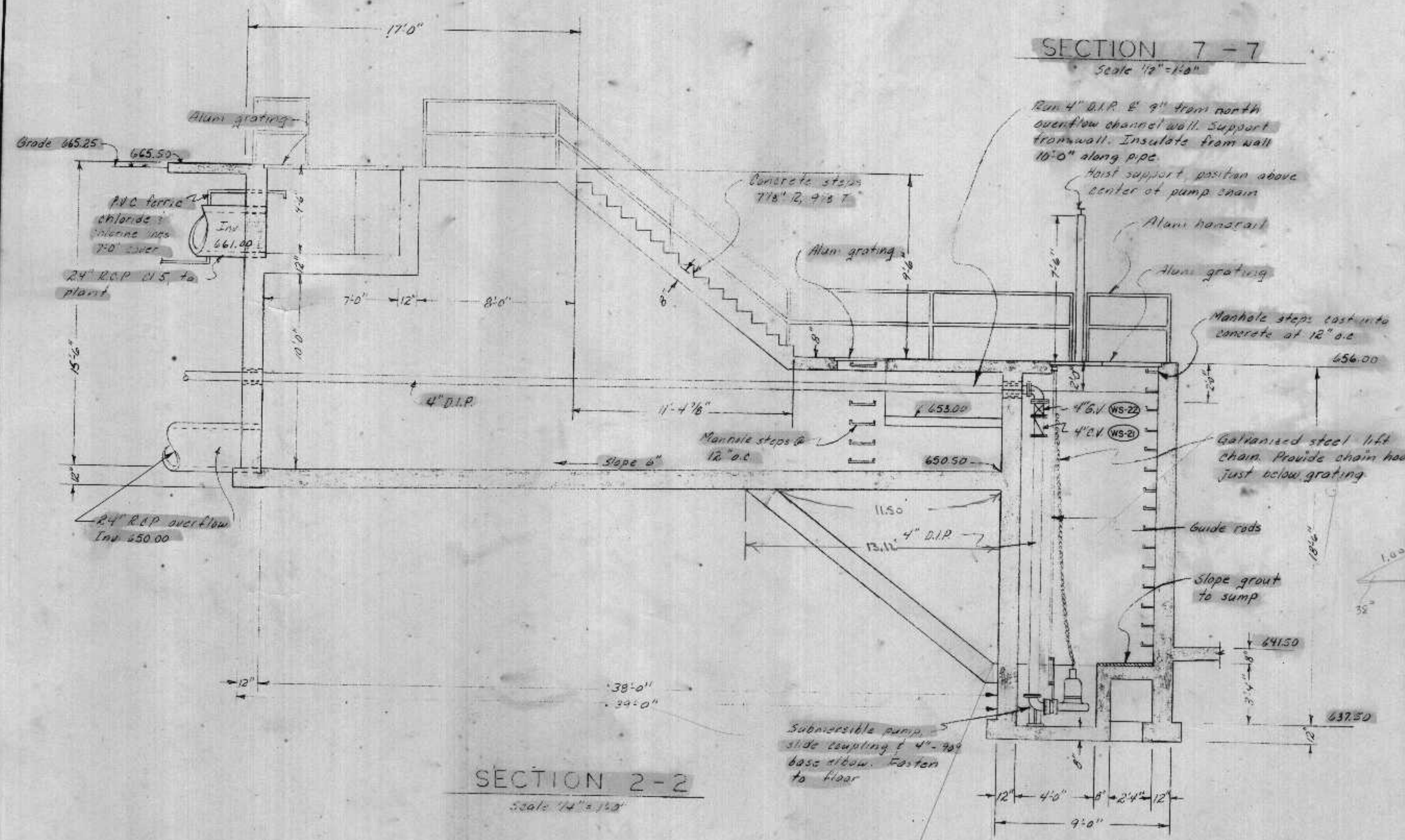
SECTION 6-6
Scale 1/4" = 1'-0"



NOTE:
Shape of screw pump trough shall be as required by pump manufacturer.



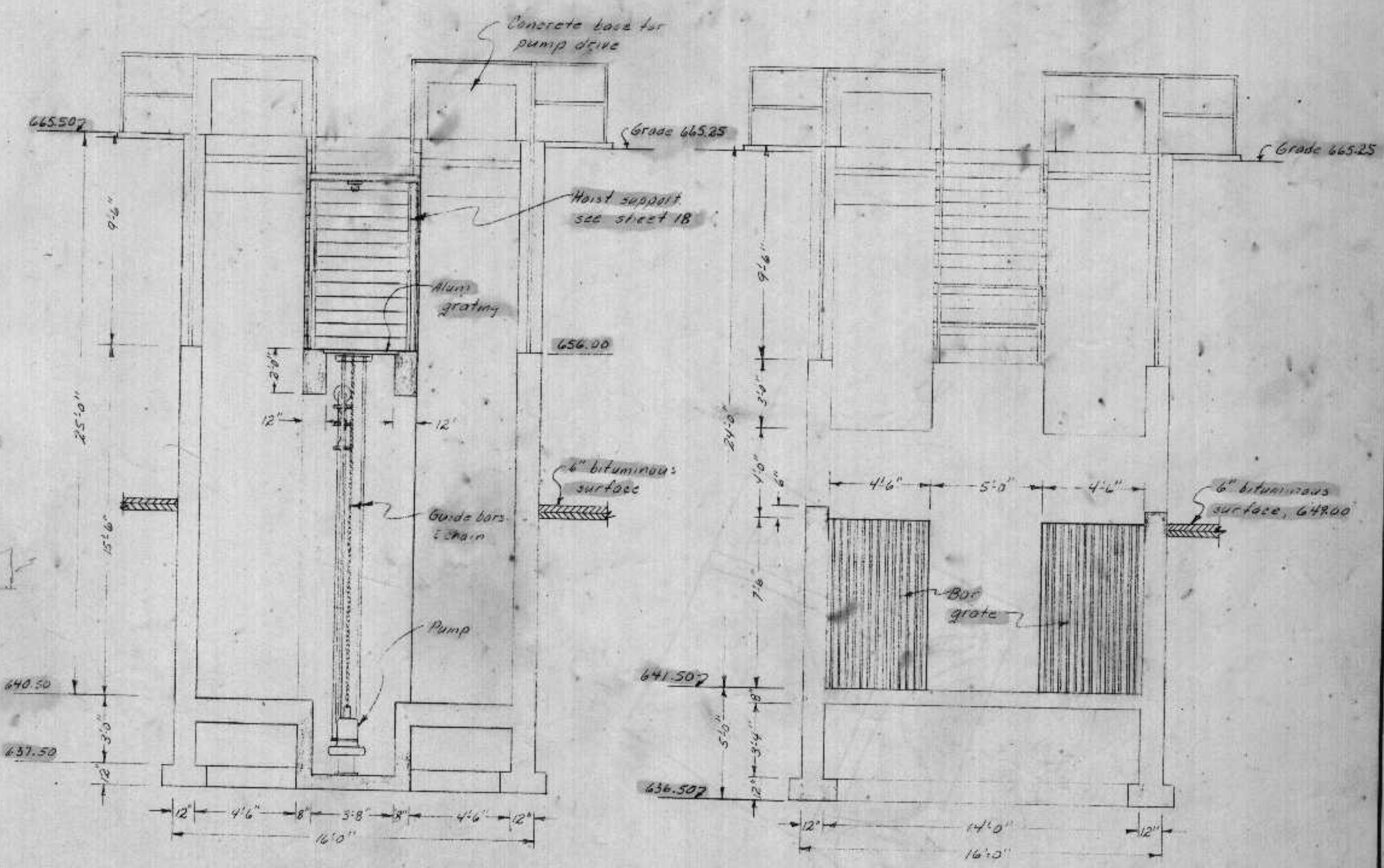
SECTION 5-5
Scale 1/4" = 1'-0"



SECTION 2-2
Scale 1/4" = 1'-0"

SECTION 7-7
Scale 1/2" = 1'-0"

Run 4" D.P. E 9" from north overflow channel wall. Support from wall. Insulate from wall 10'-0" along pipe.
Fast support position above center of pump chain.



SECTION 3-3
Scale 1/4" = 1'-0"

SECTION 4-4
Scale 1/4" = 1'-0"

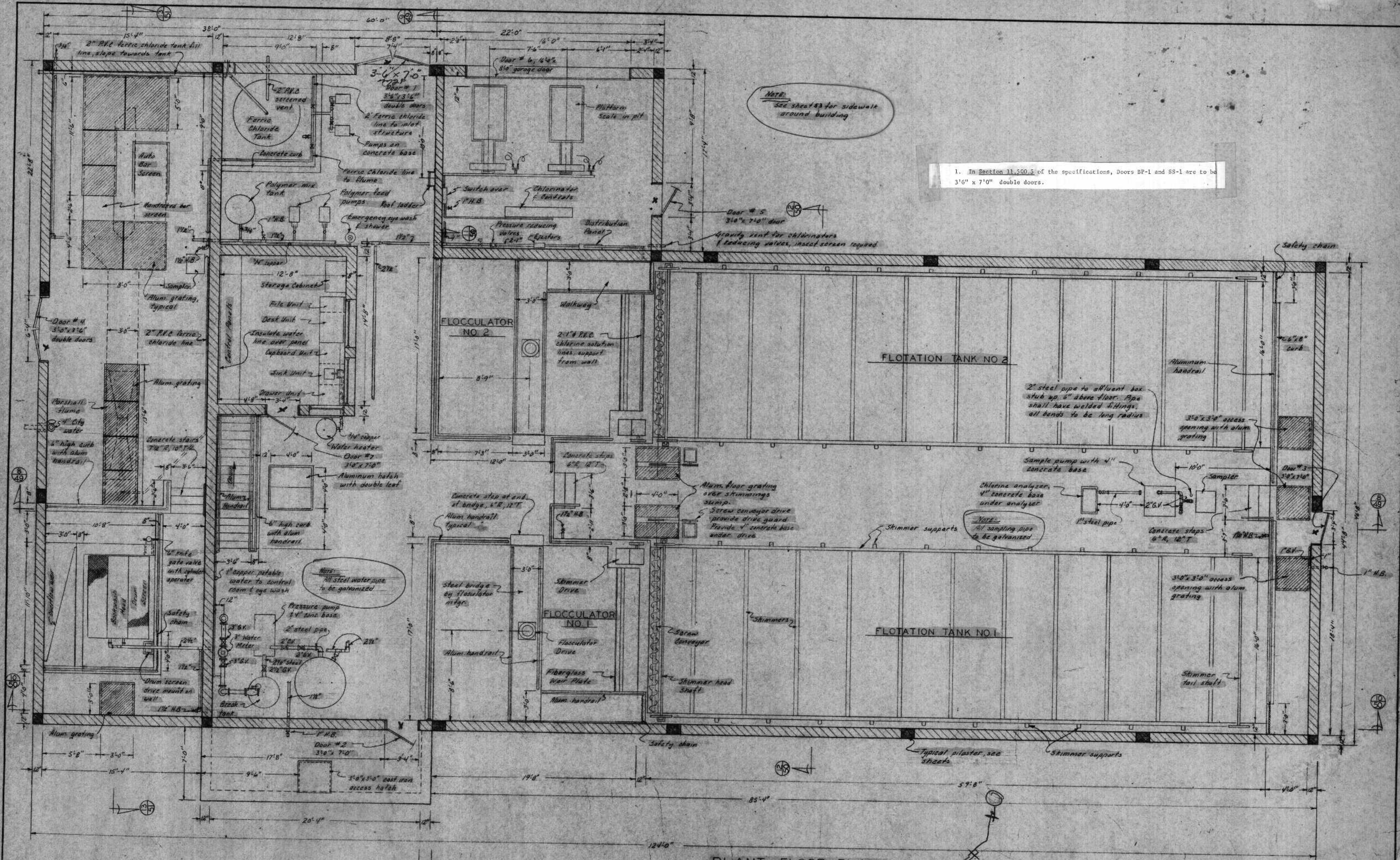
I HEREBY CERTIFY THAT THIS PLAN WAS PREPARED BY ME OR UNDER MY DIRECT SUPERVISION AND THAT I AM A LICENSED PROFESSIONAL ENGINEER UNDER THE LAWS OF THE STATE OF WISCONSIN.
DATE: 1/16/76
SEE NO. E12727
Richard E. Jensen

REVISIONS	DATE	BY	APP'D
DESIGN		RWF	
DRAWN		RWF	
APPROVED		RWF	

BONESTROO, ROSENE, ANDERLIK & ASSOC., INC.
ST. PAUL, MINNESOTA

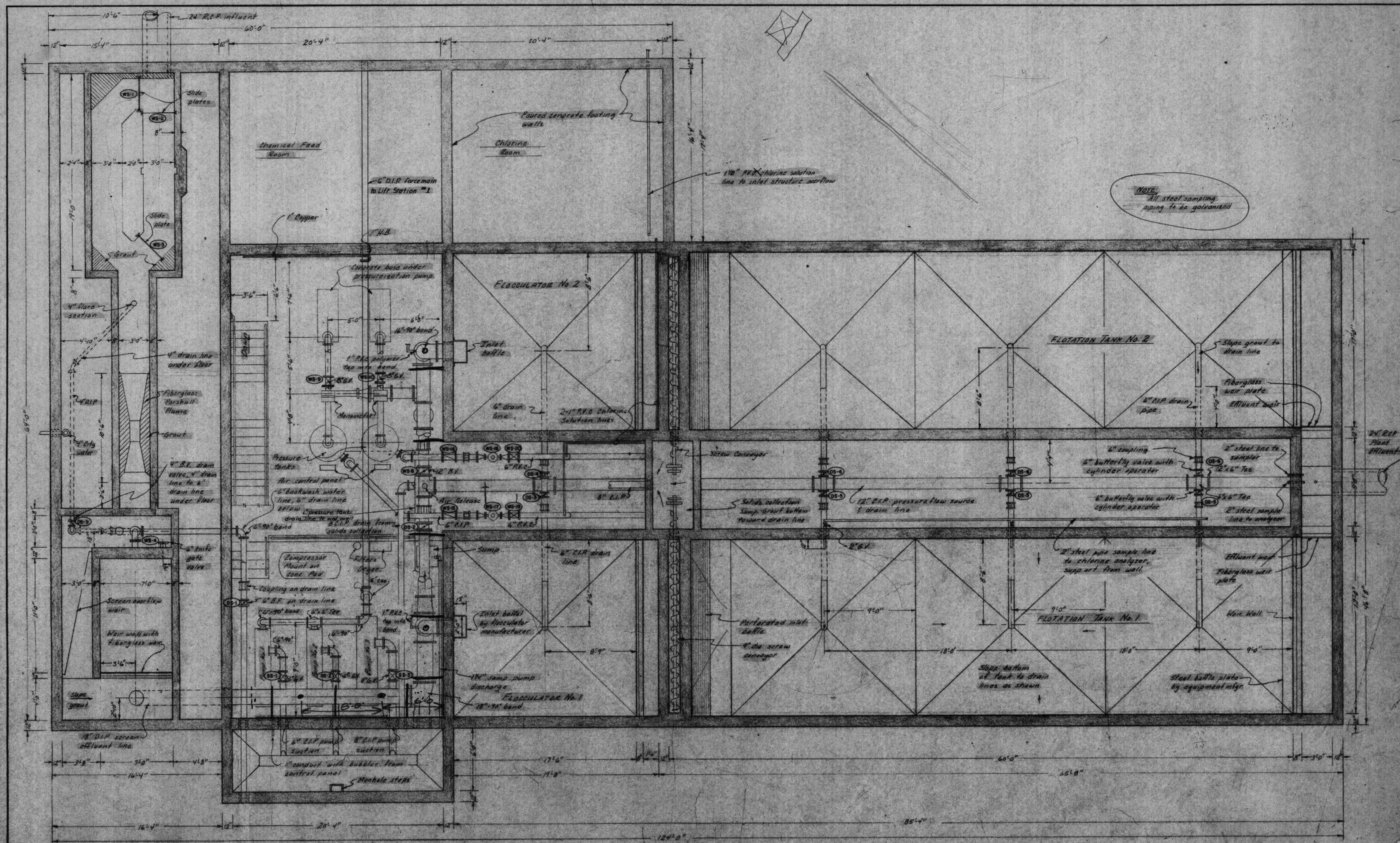
SUPERIOR, WISCONSIN
DATE: FEB. 16, 1976
COMM 6888 E

SOUTH SUPERIOR CSO PLANT
INLET STRUCTURE



1. In Section 11.300.5 of the specifications, Doors DP-1 and SS-1 are to be 3'6" x 7'0" double doors.

PLANT FLOOR PLAN
Scale 1/4" = 1'-0"



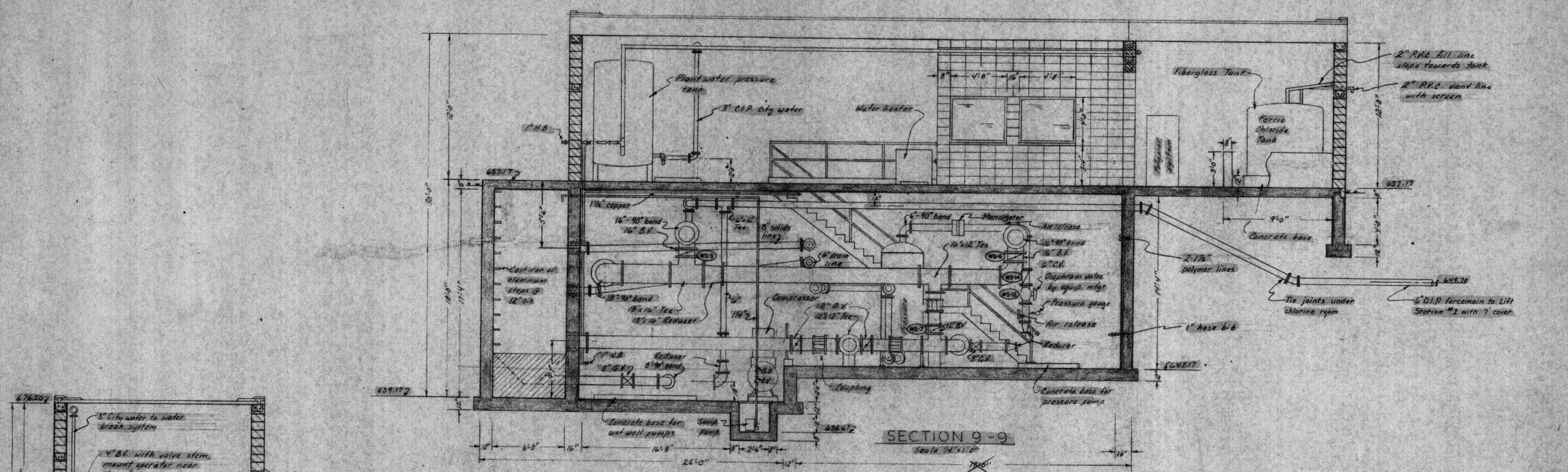
NOTE:
All steel sampling piping to be galvanized

SUBFLOOR PLAN

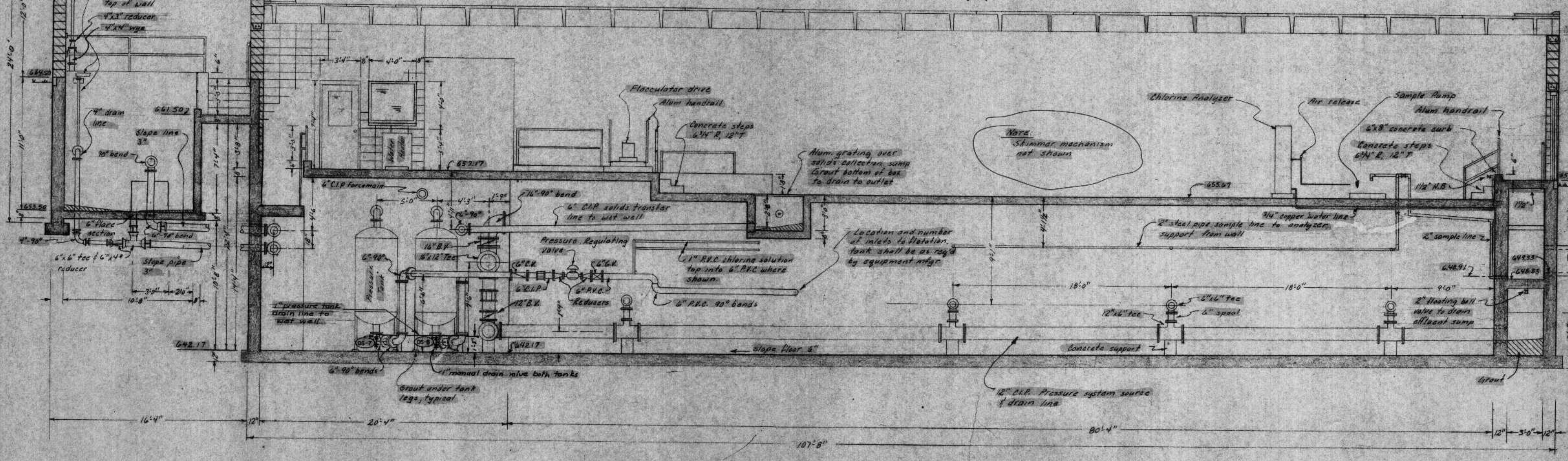
Scale 1/4" = 1'-0"

15

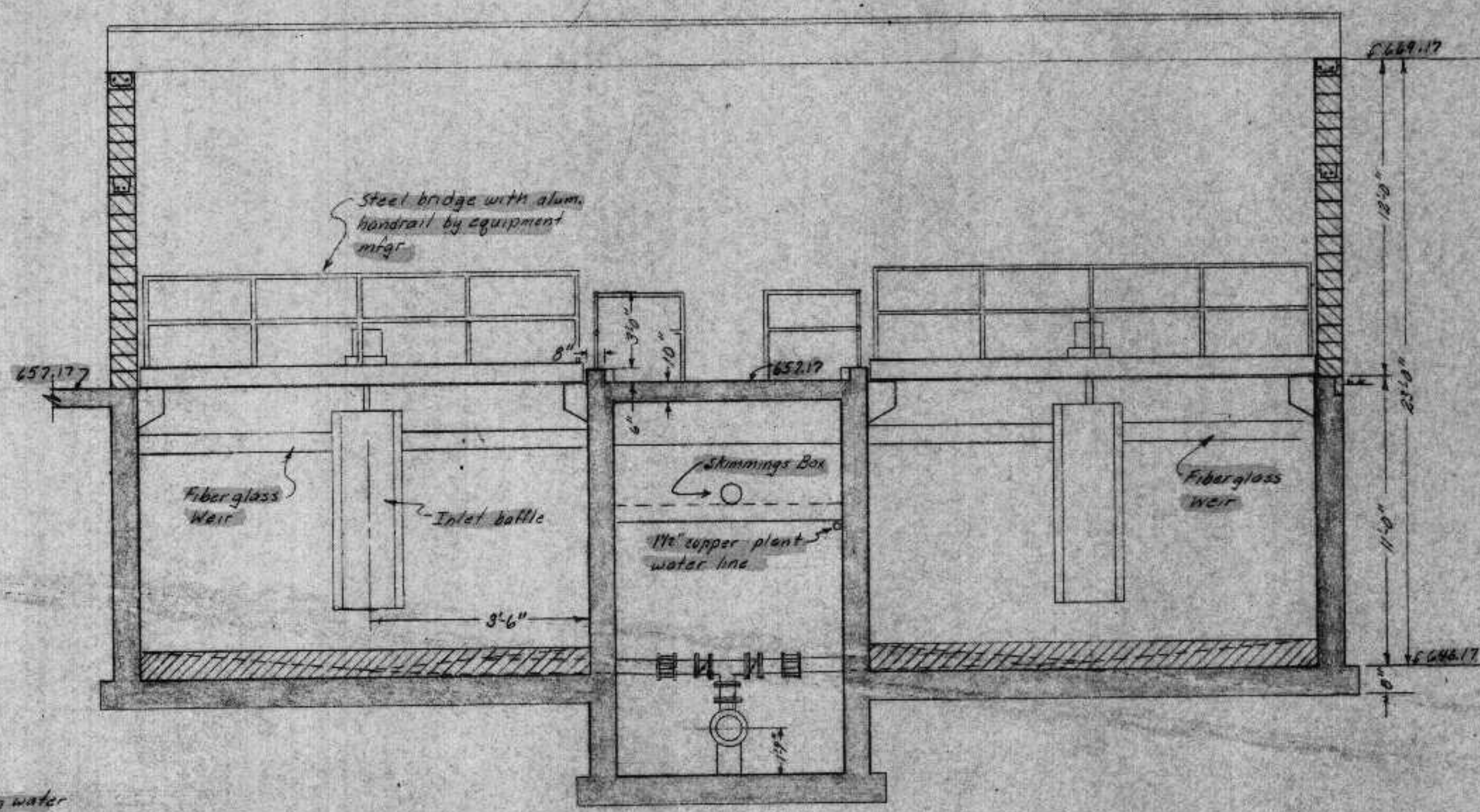
1. CHECK THESE AND THE PLAN FOR CONFORMANCE WITH THE 2. DESIGN OF THE PROJECT, UNDER THE LEAD OF THE 3. DESIGN OF THE PROJECT. DATE: 2/16/76 BY: E. J. 227 <i>Richard J. ...</i>	SURVEY DRAWN CHECKED APPROVED	DESIGNER DATE: FEB. 16, 1976 DRAWING NO. 6886 E	BONESTROO, ROSENE, ANDERLIK & ASSOC., INC. ST. PAUL, MINNESOTA	SUPERIOR, WISCONSIN	SOUTH SUPERIOR CSO PLANT PLANT SUBFLOOR PLAN
---	--	---	--	----------------------------	---



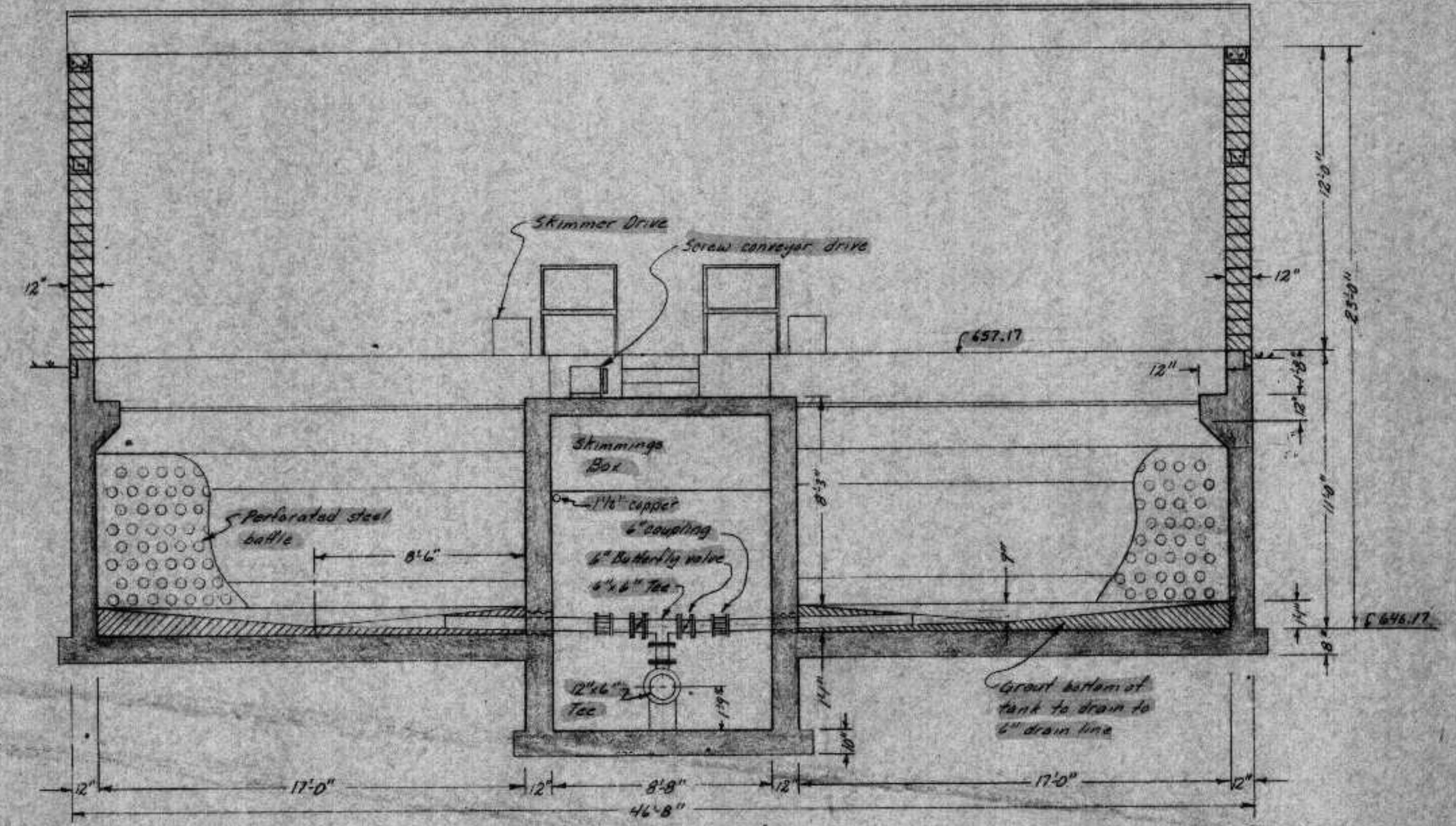
SECTION 9-9
Scale 1/4" = 1'-0"



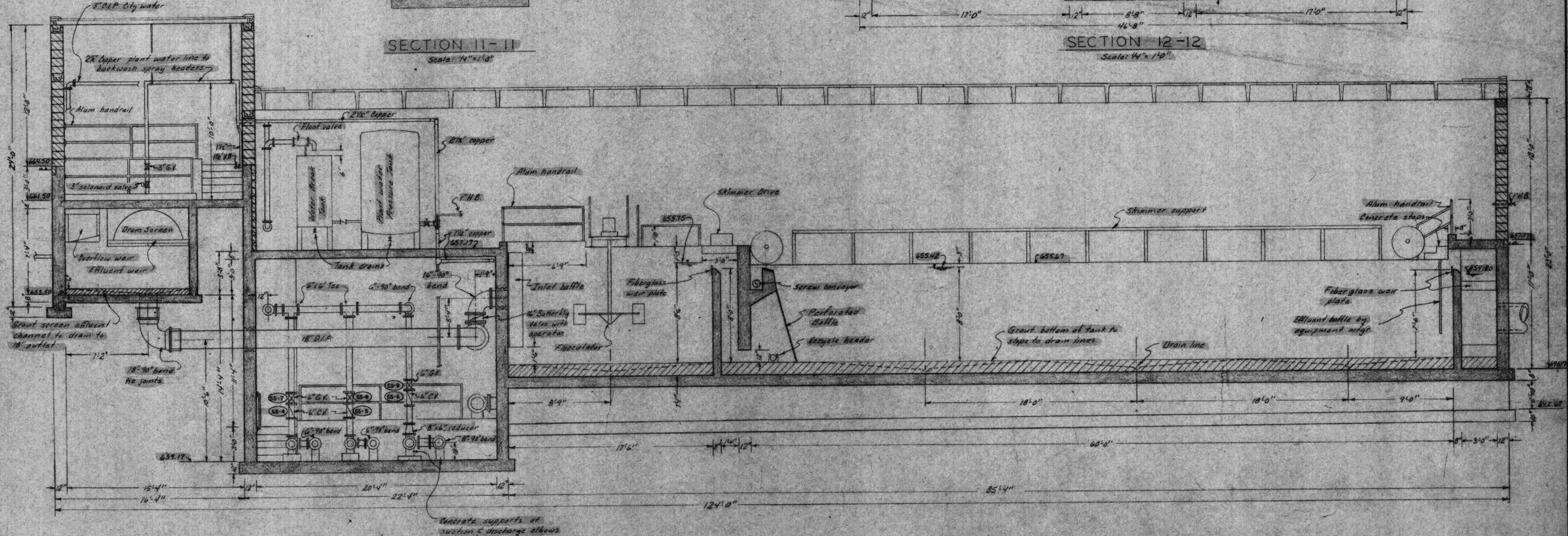
SECTION 8-8
Scale 1/4" = 1'-0"



SECTION 11-11
Scale: 1/4" = 1'-0"



SECTION 12-12
Scale: 1/4" = 1'-0"



SECTION 10-10
Scale: 1/4" = 1'-0"

I HEREBY CERTIFY THAT THIS PLAN WAS PREPARED BY ME OR UNDER MY CLOSE PERSONAL SUPERVISION AND TO THE BEST OF MY KNOWLEDGE AND BELIEF IT COMES IN ACCORDANCE WITH THE REQUIREMENTS OF THE STATE OF WISCONSIN.
DATE: 2/16/78 REG. NO. F-12927 *Richard E. Jensen*

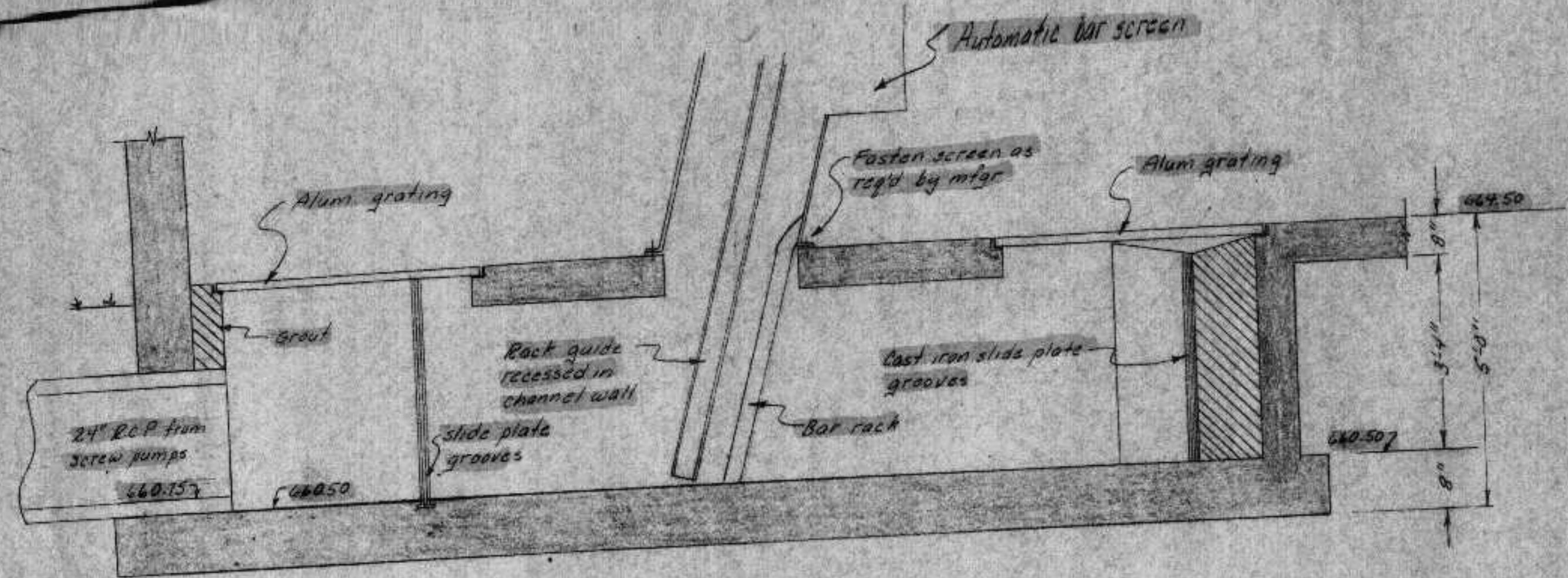
SUPPLY: RWP
DESIGN: RWF
CHECKED: RWF
APPROVED: RWF

DONESTRO, ROSE, ANDERLIK & ASSOC., INC.
ST. PAUL, MINNESOTA

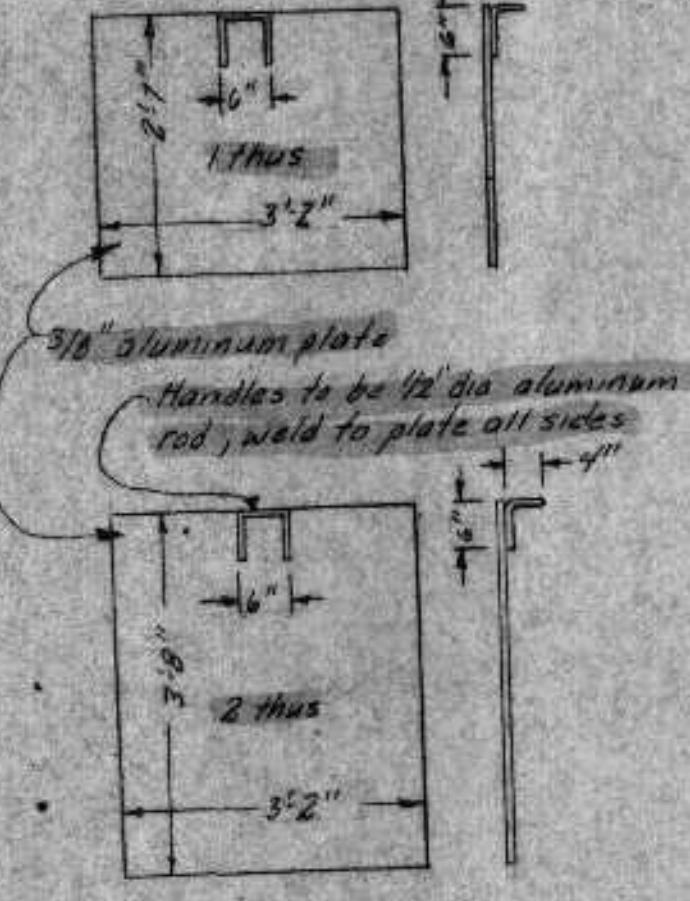
SUPERIOR, WISCONSIN
DATE: FEB. 16, 1978 GMM 688 E

SOUTH SUPERIOR CSO PLANT
PLANT SECTIONS 50/78

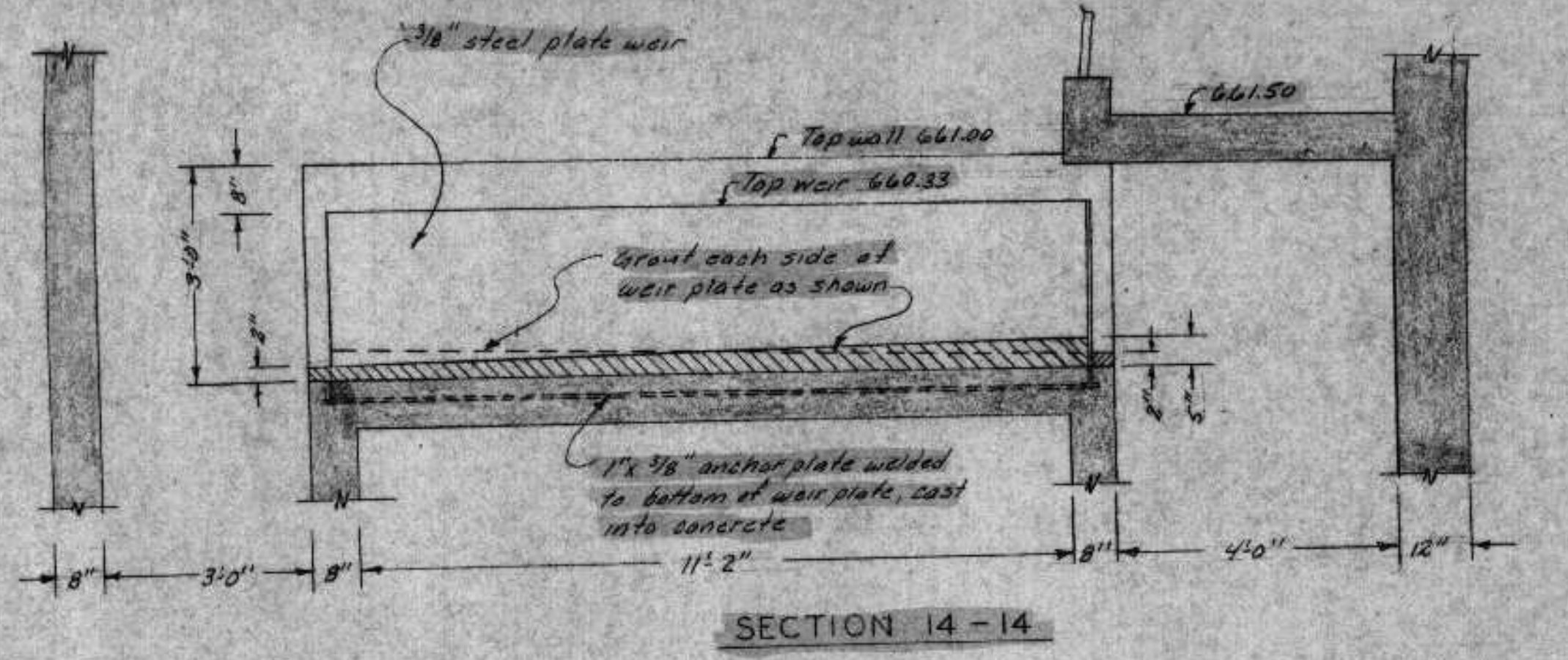
661.50
660.33
1.17
661.50



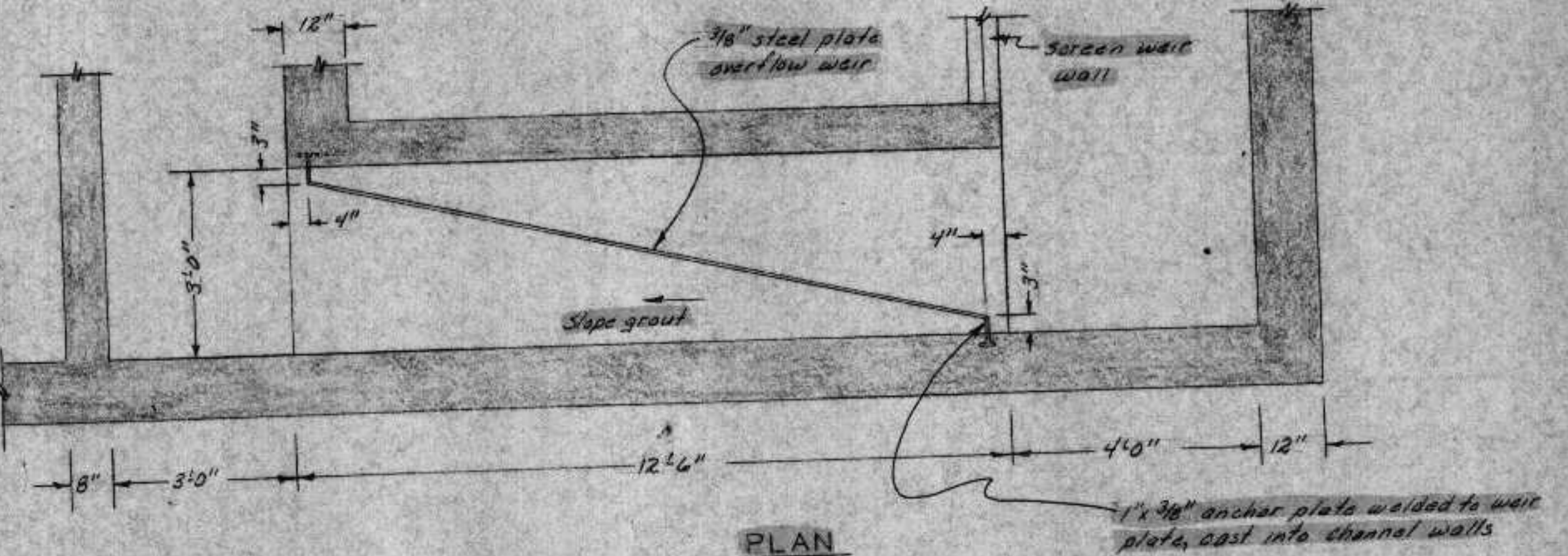
SECTION 16-16



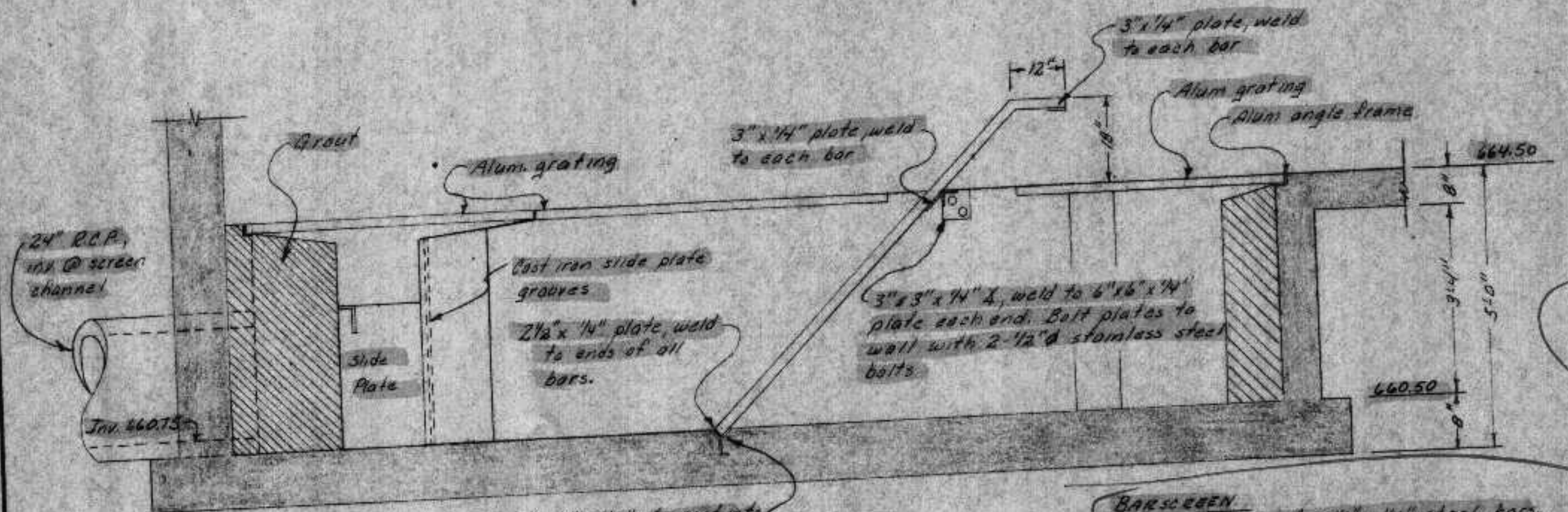
SLIDE PLATES
Scale 1/2\"/>



SECTION 14-14



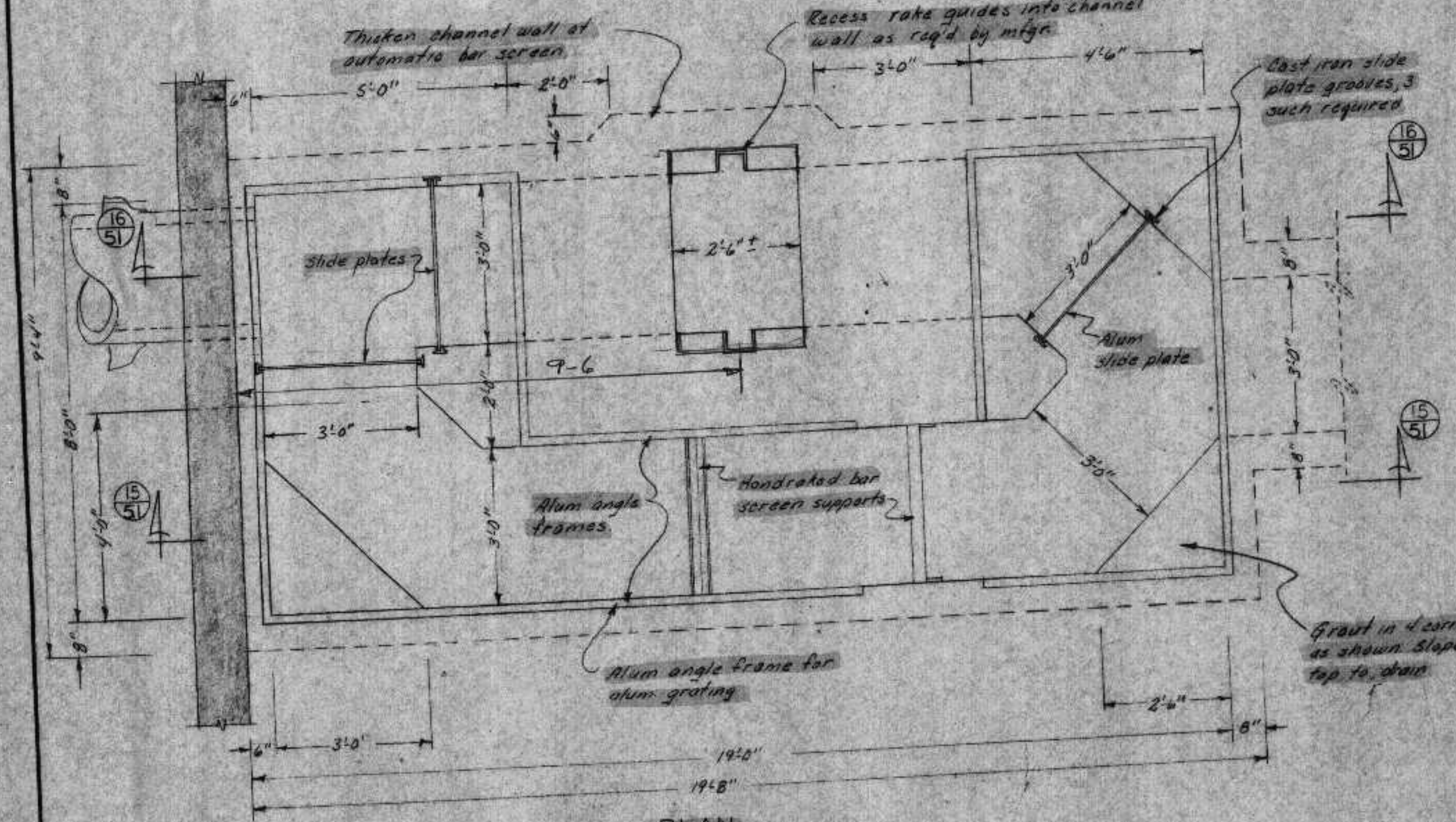
DRUM SCREEN OVERFLOW WEIR
Scale 1/2\"/>



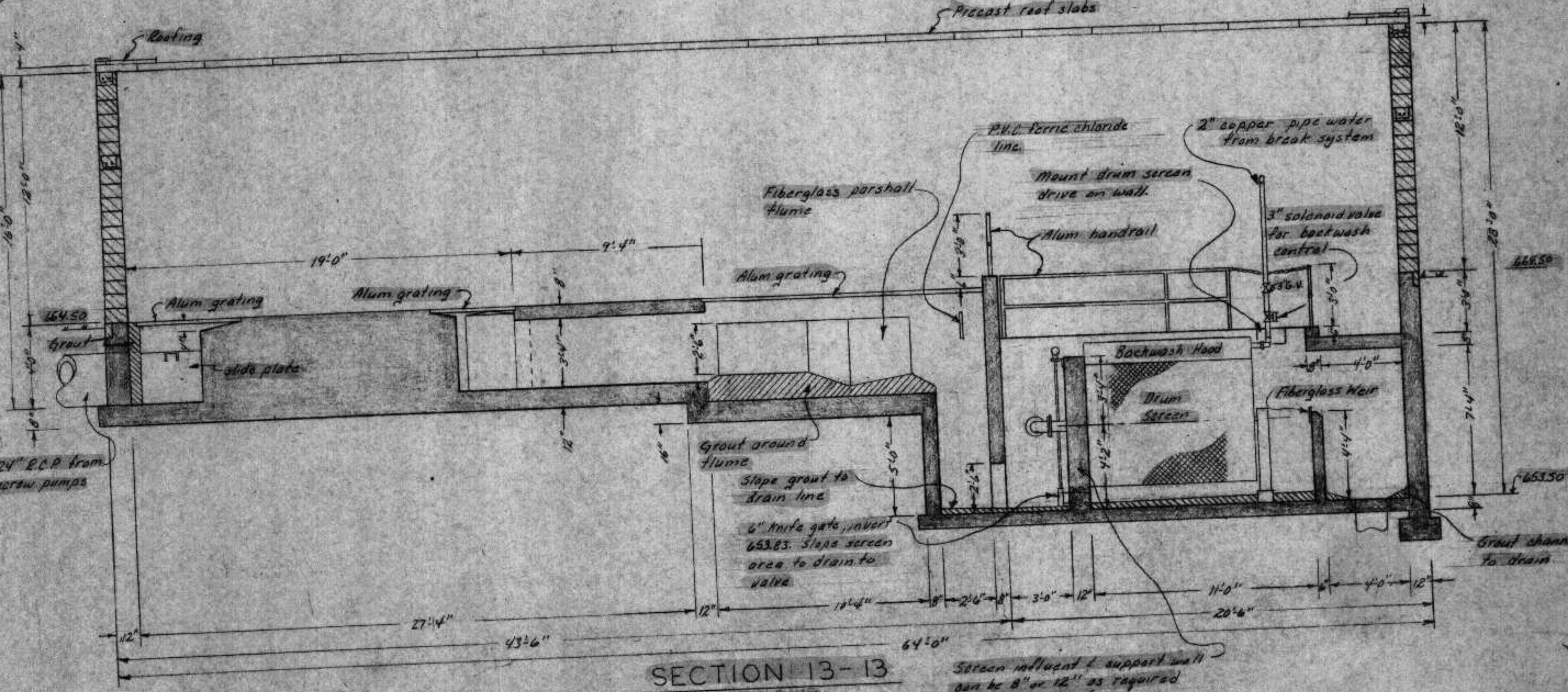
SECTION 15-15

Note: Provide aluminum rake made specially for bar screen.

BAR SCREEN
Construct of 2 1/2\"/>



SCREENING UNIT DETAILS
Scale 1/2\"/>



SECTION 13-13
Scale 1/4\"/>

Screen influent support wall can be 8\"/>

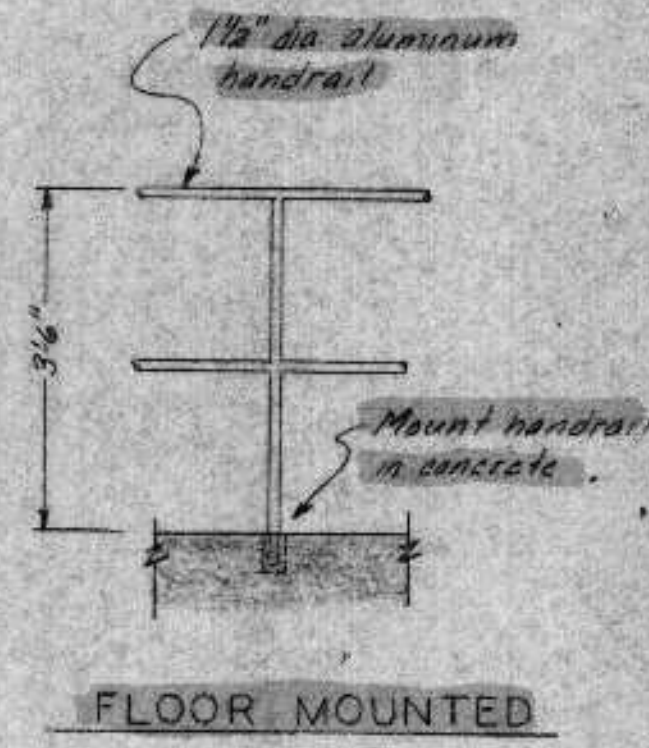
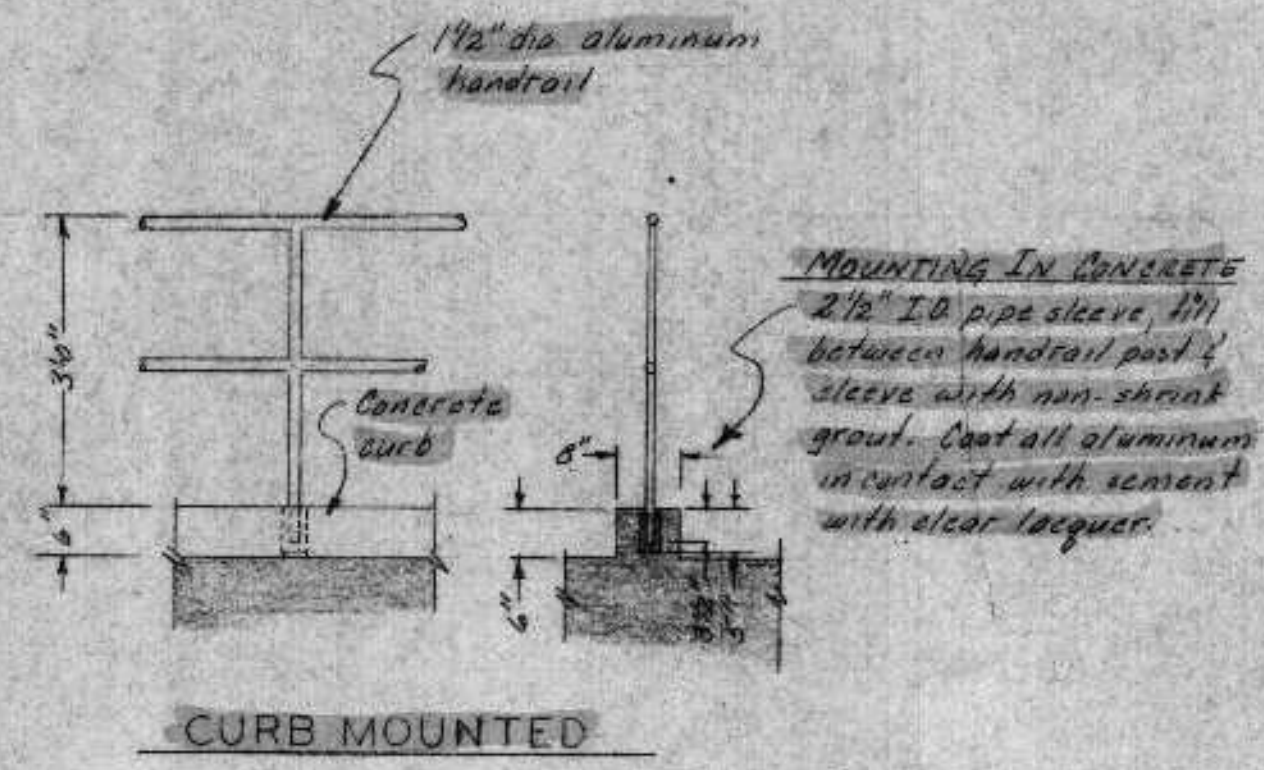
DESIGNED BY: RICHARD E. SUMNER
DATE: 2/16/76

DESIGNED BY	RICHARD E. SUMNER
CHECKED BY	...
APPROVED BY	...

ROSTROFF, ROSENE, ANDERLIK & ASSOC., INC.
ST. PAUL, MINNESOTA

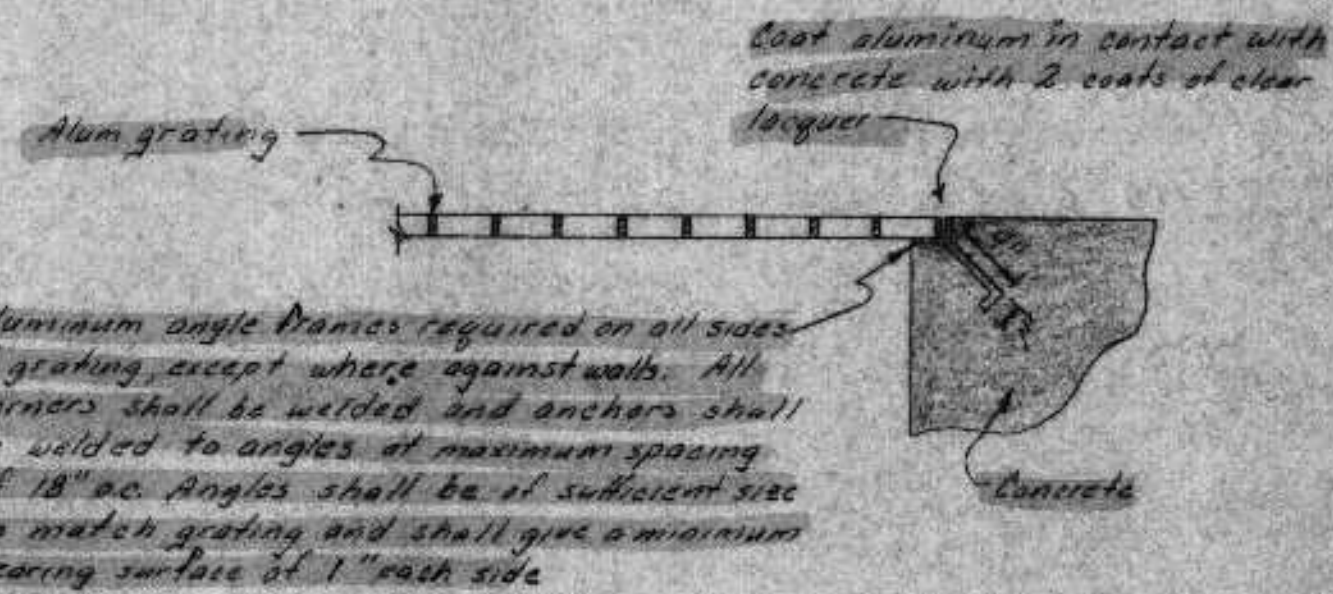
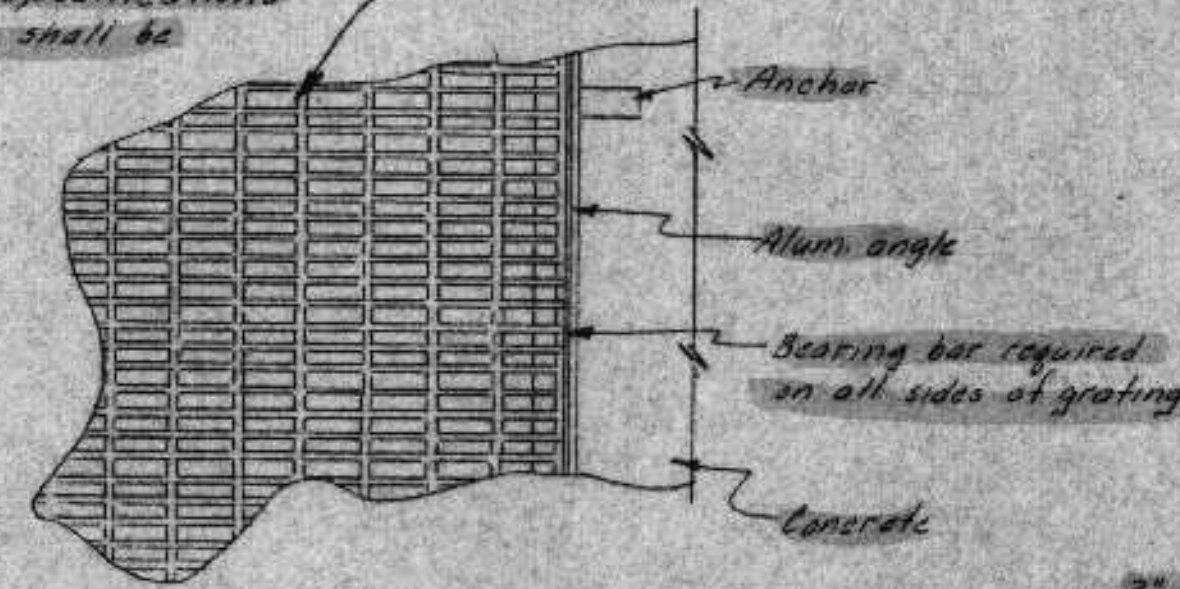
SUPERIOR, WISCONSIN
DATE: FEB. 18, 1976

SOUTH SUPERIOR CSO PLANT
PLANT SECTION & DETAILS



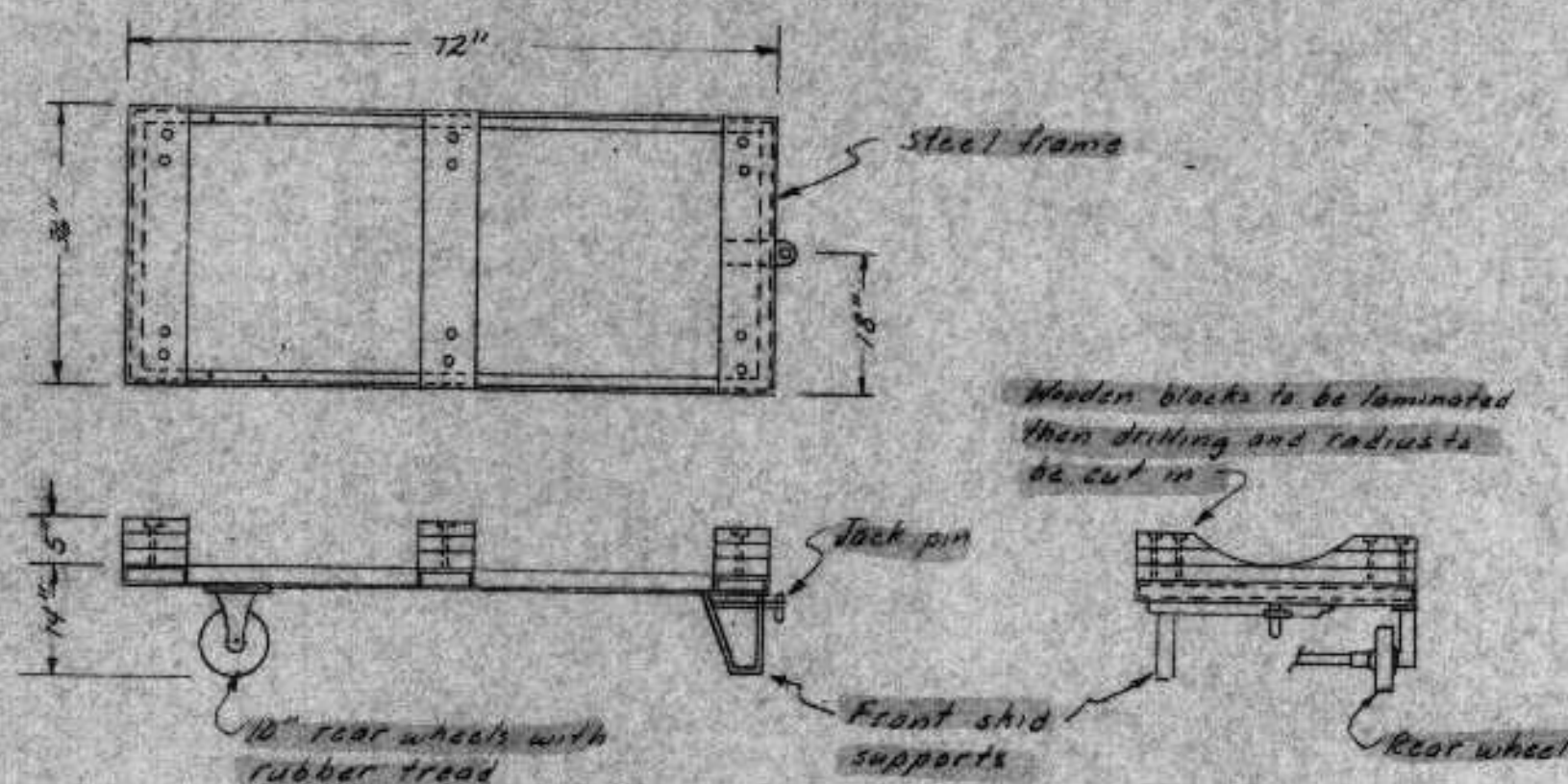
Mounting in concrete
2 1/2" I.D. pipe sleeve, 1/4" between handrail post & sleeve with non-shrink grout. Coat all aluminum in contact with cement with clear lacquer.

Aluminum grating. Grating manufacturer shall determine bar size required for the loading stated in the specifications. All edges, cutouts, holes etc. shall be beaded.



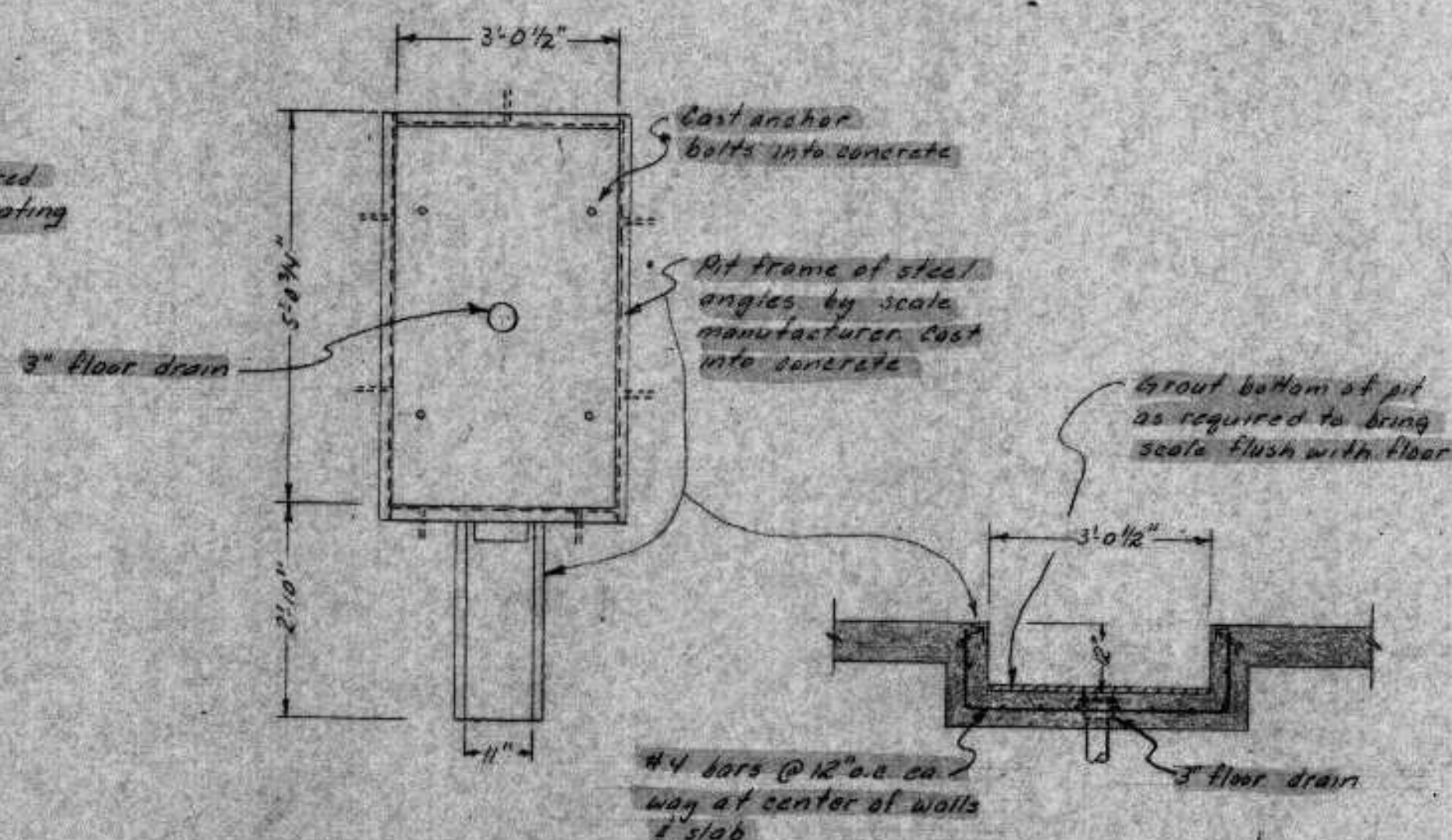
ALUMINUM GRATING DETAIL

Scale: 1"=1'-0"

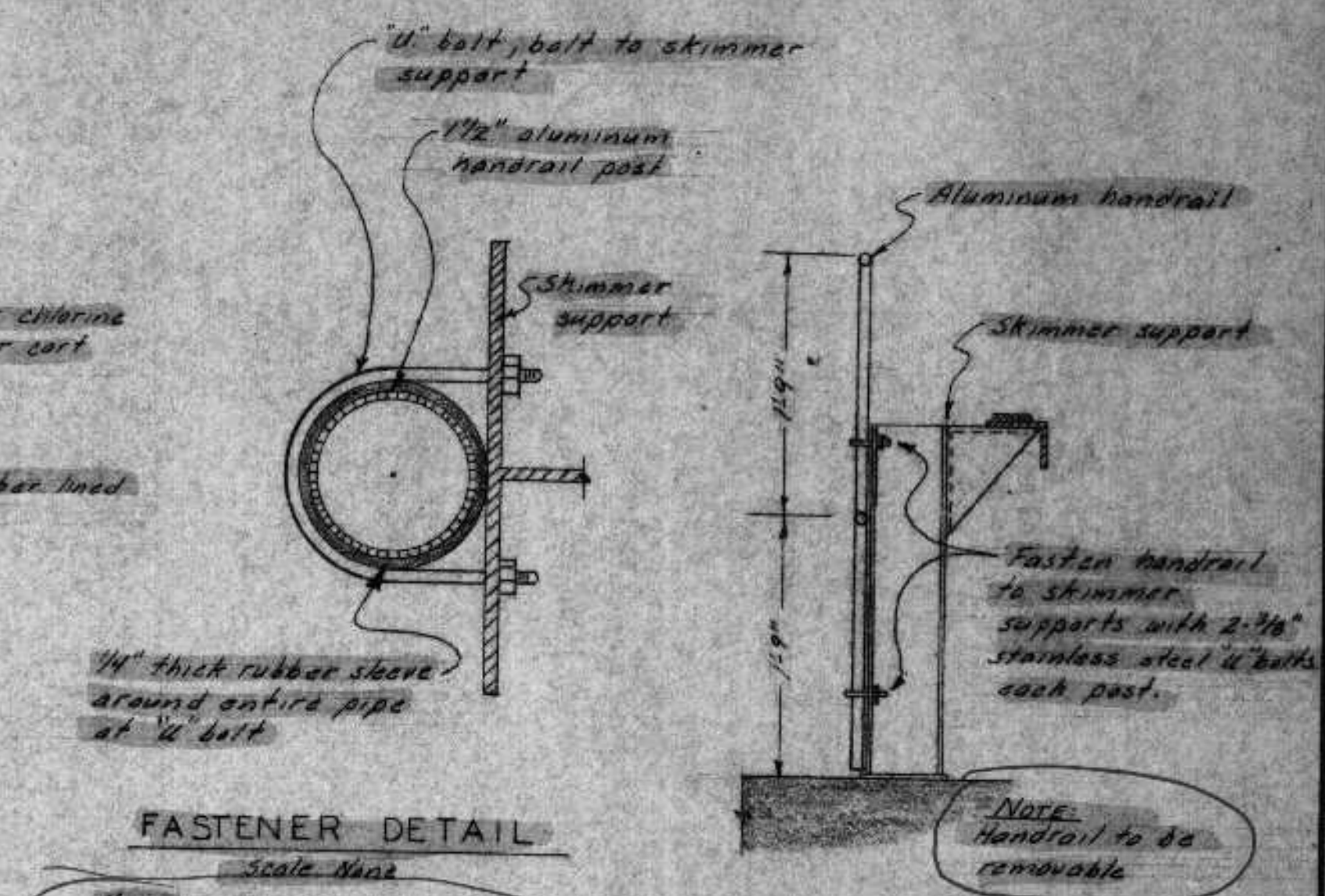


NOTE: 4 carts and 2 jack handles shall be furnished.

Scale: None



Scale: 1/2"=1'-0"

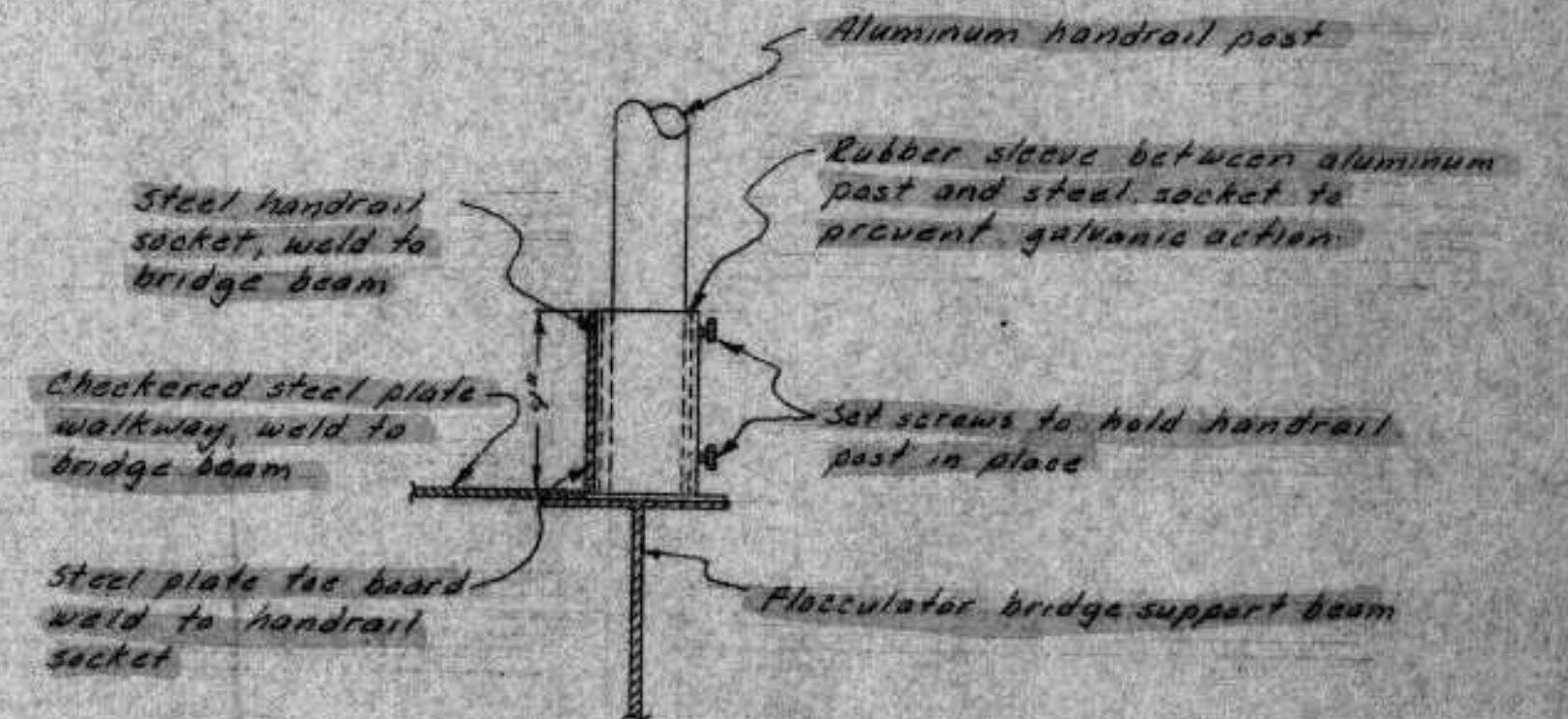


Scale: None

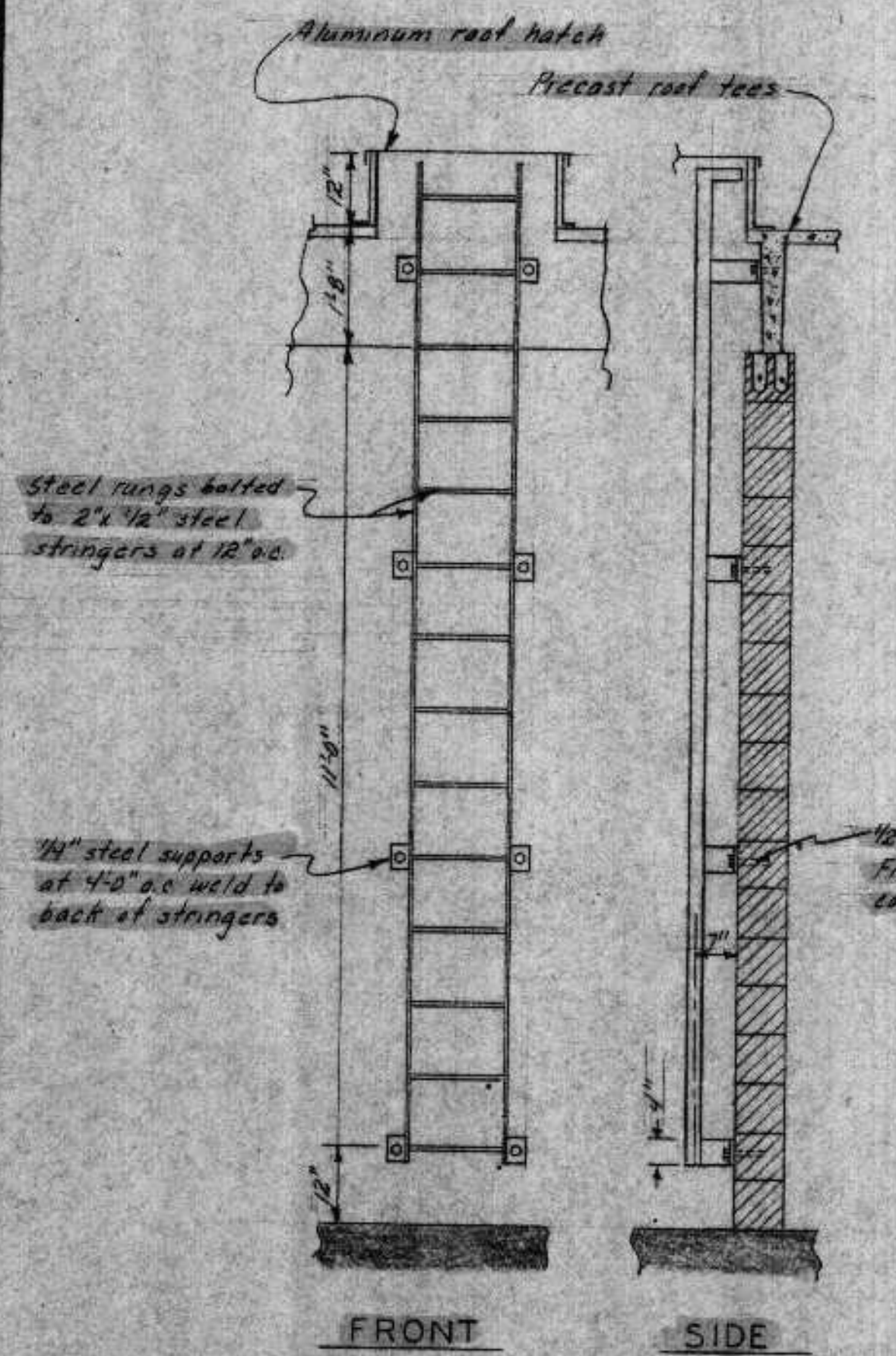
NOTE: Flotation equipment mfg. to furnish handrail, U-bolts and sleeves.

FLOTATION UNIT HANDRAIL DETAIL

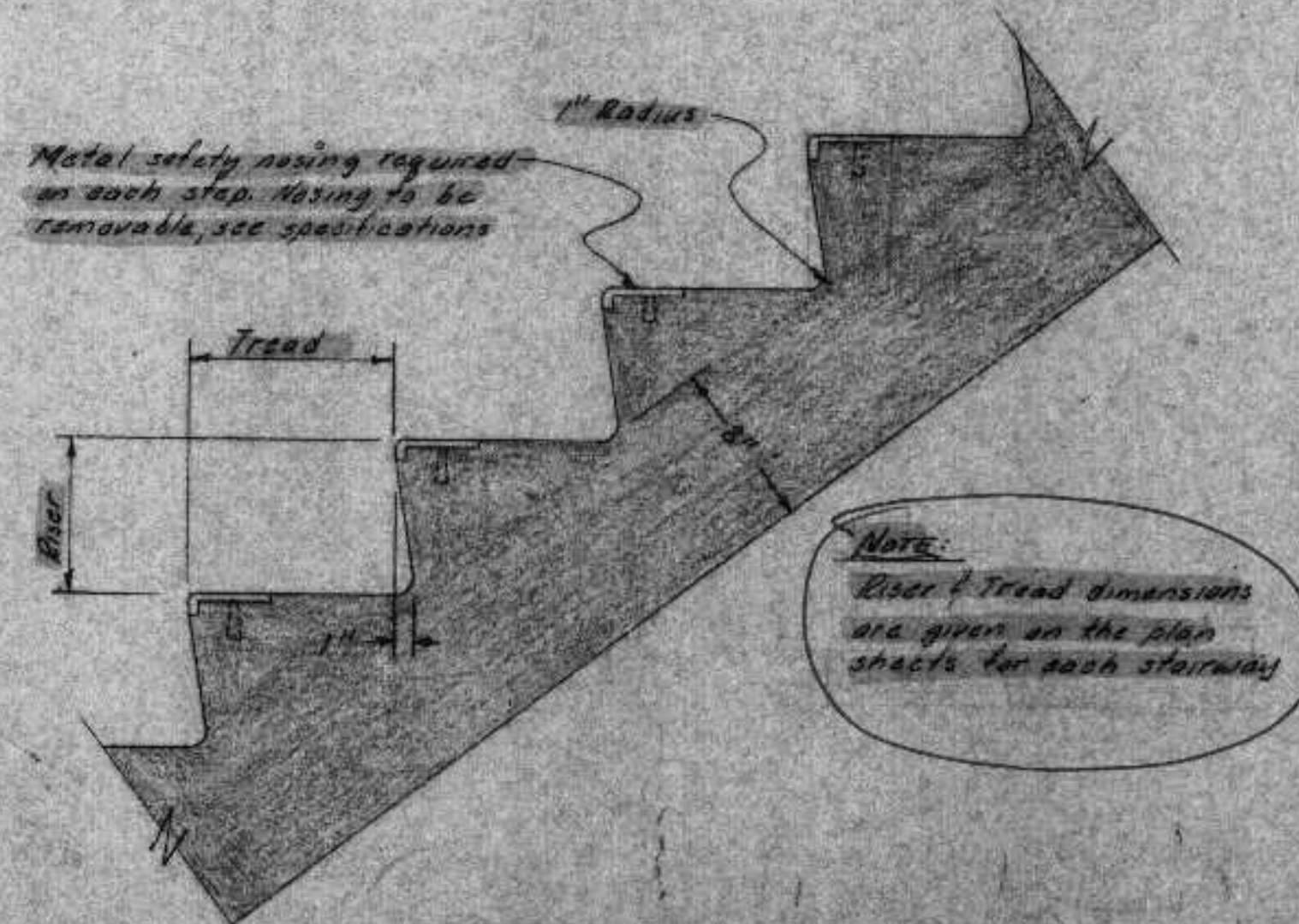
Scale: 1"=1'-0"



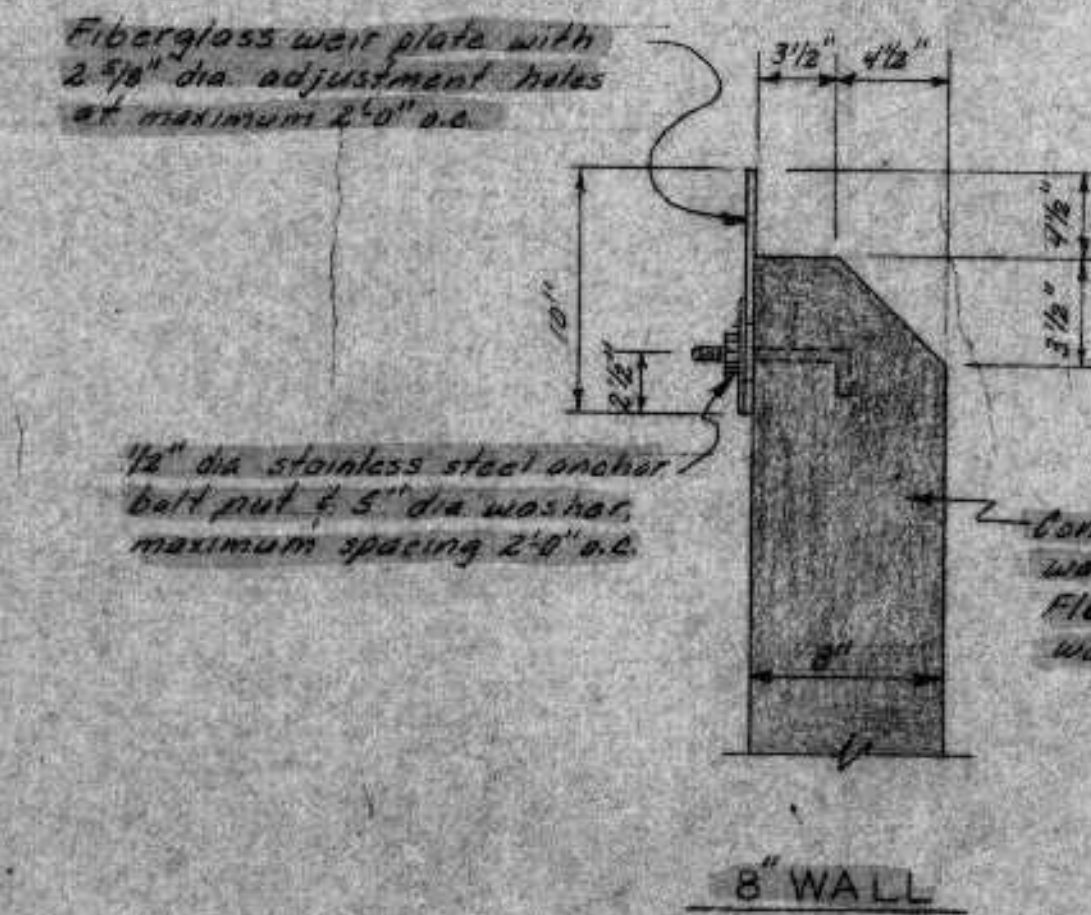
Scale: 3/4"=1'-0"



Scale: 1/2"=1'-0"

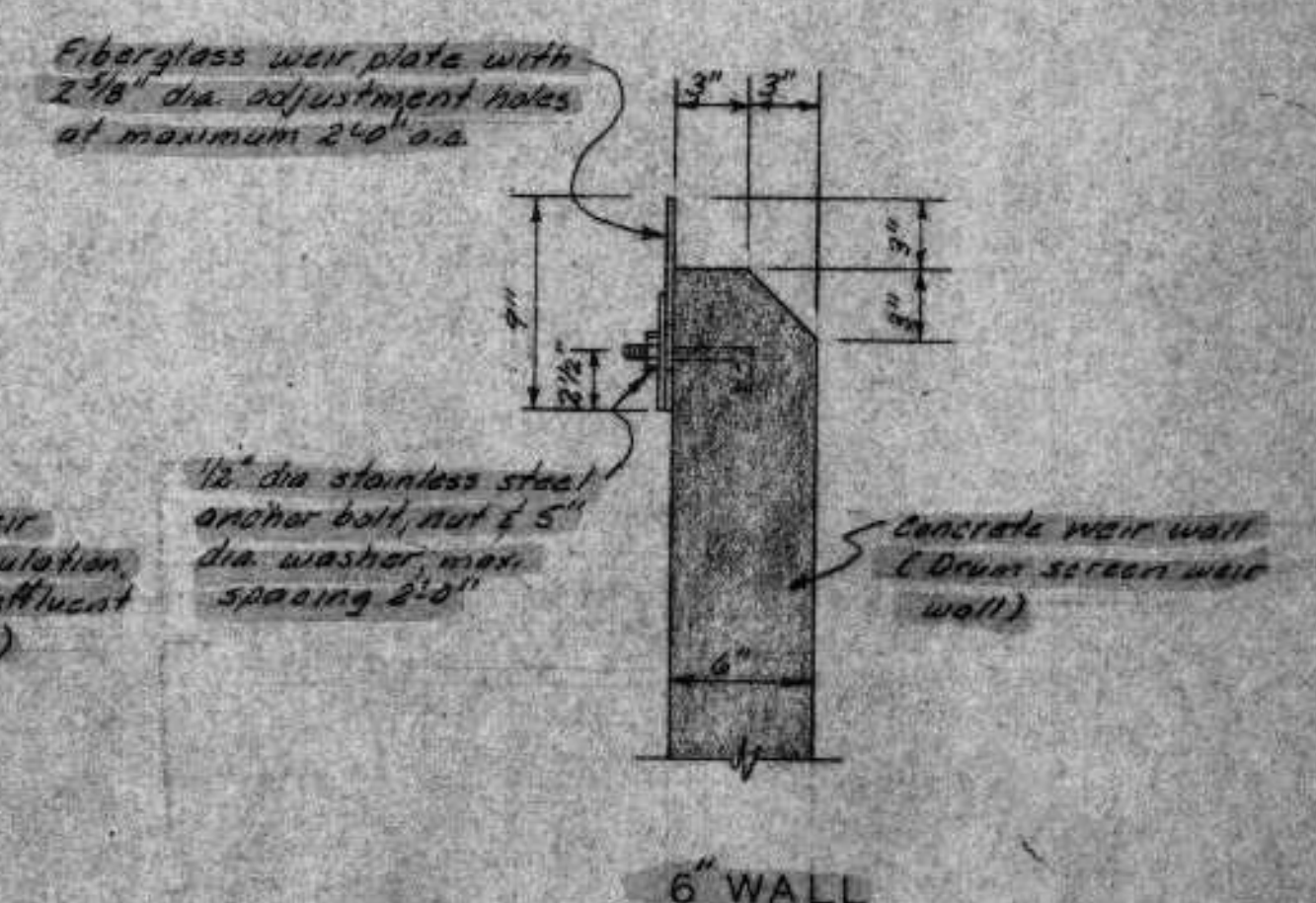


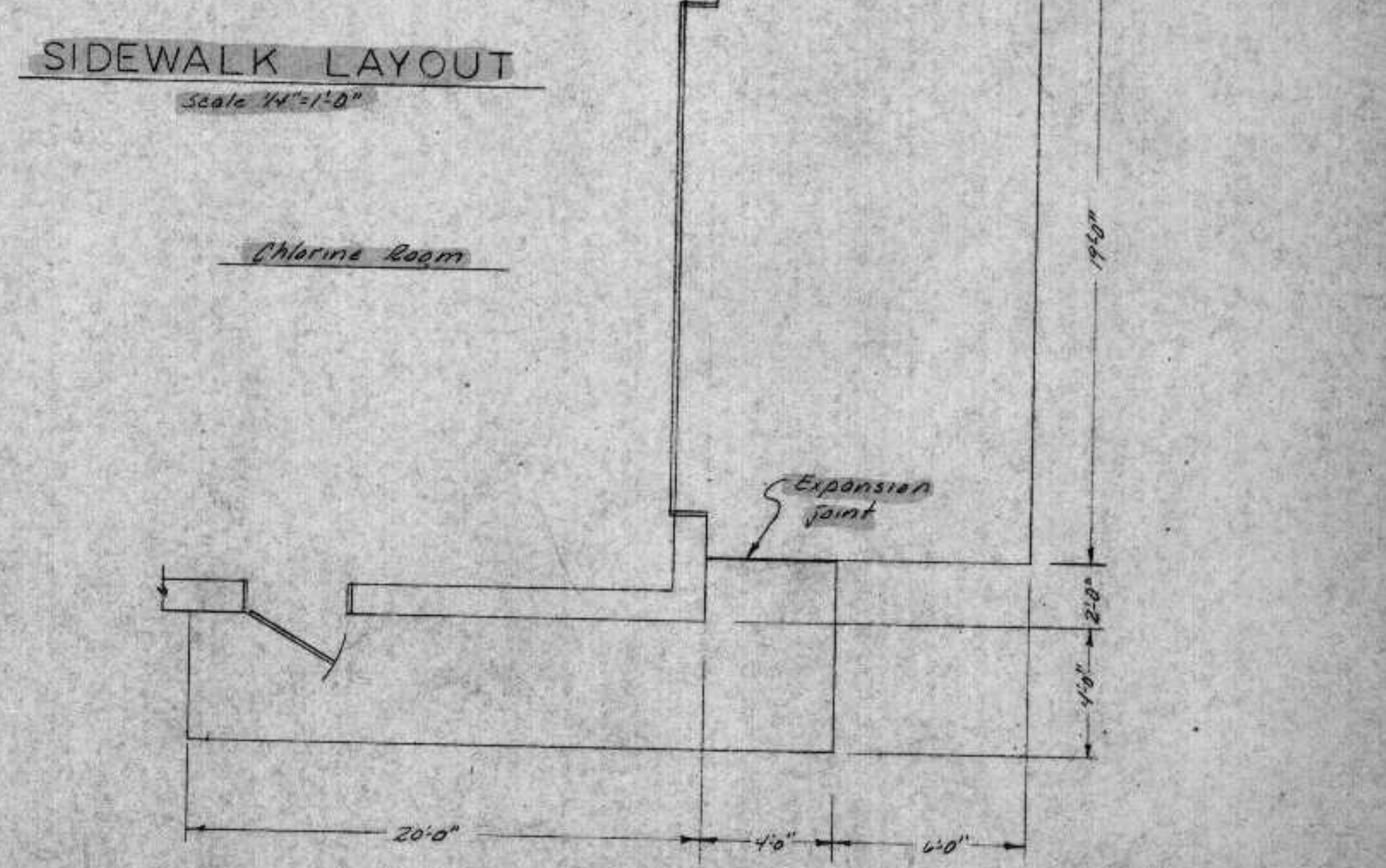
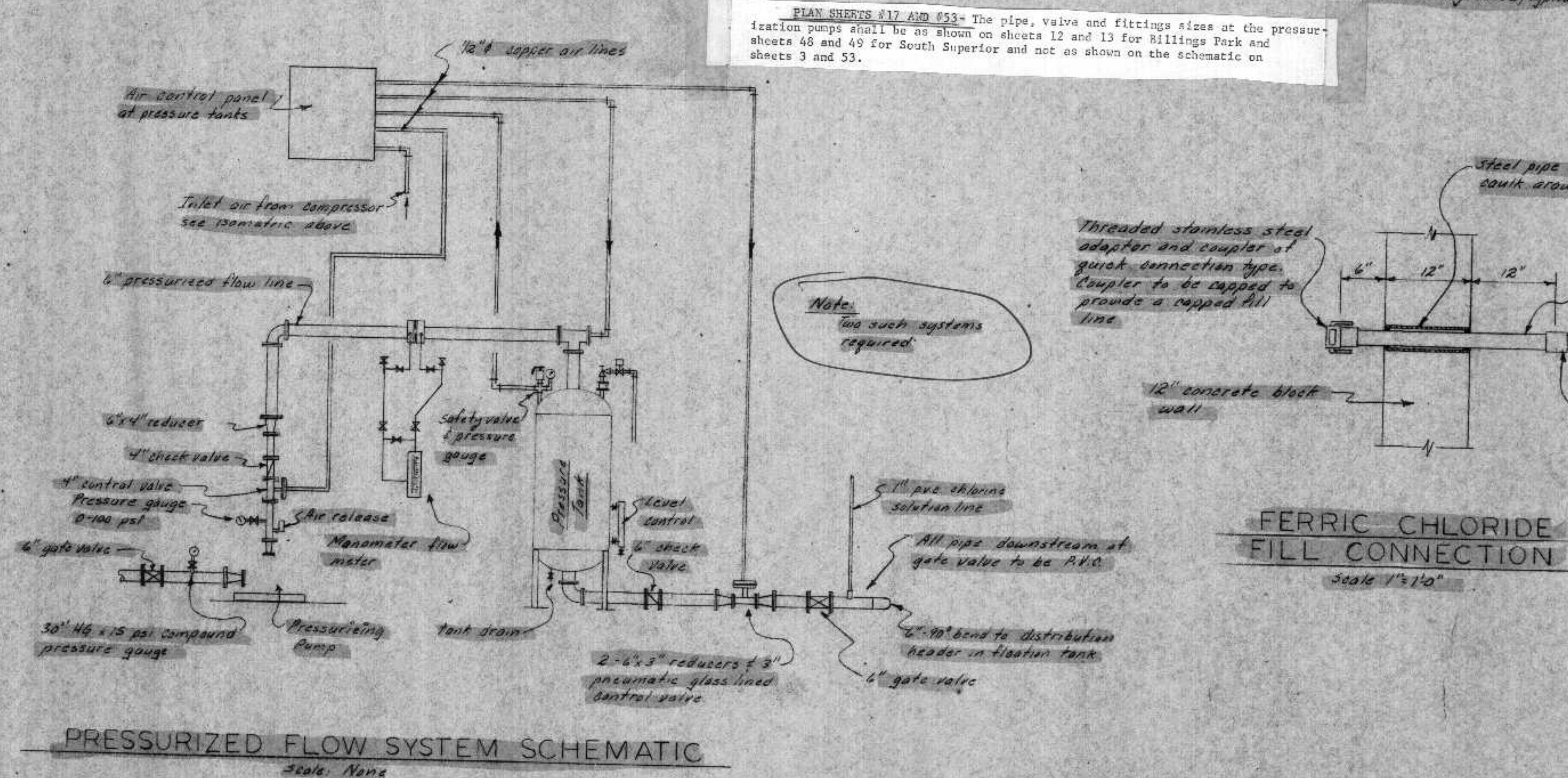
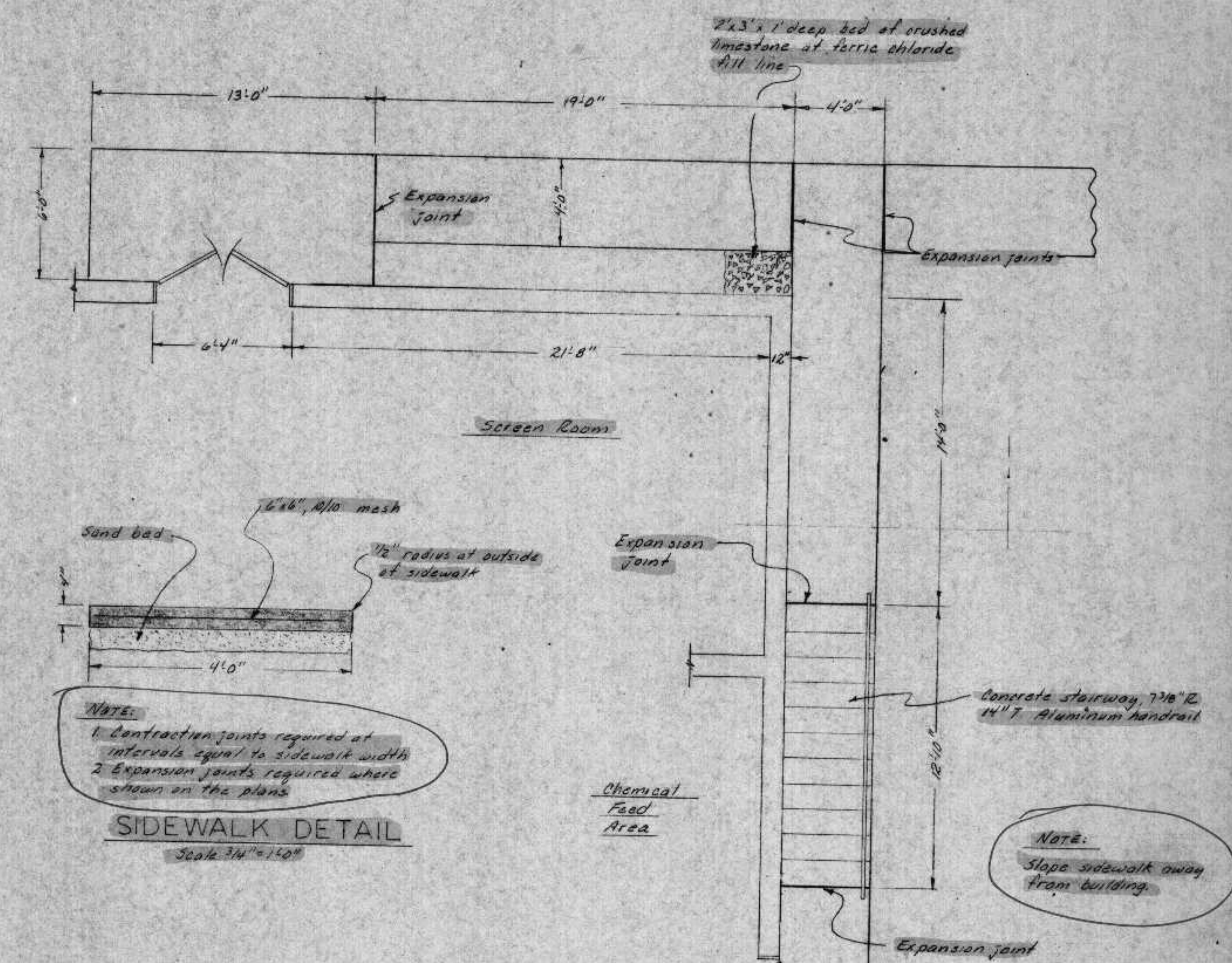
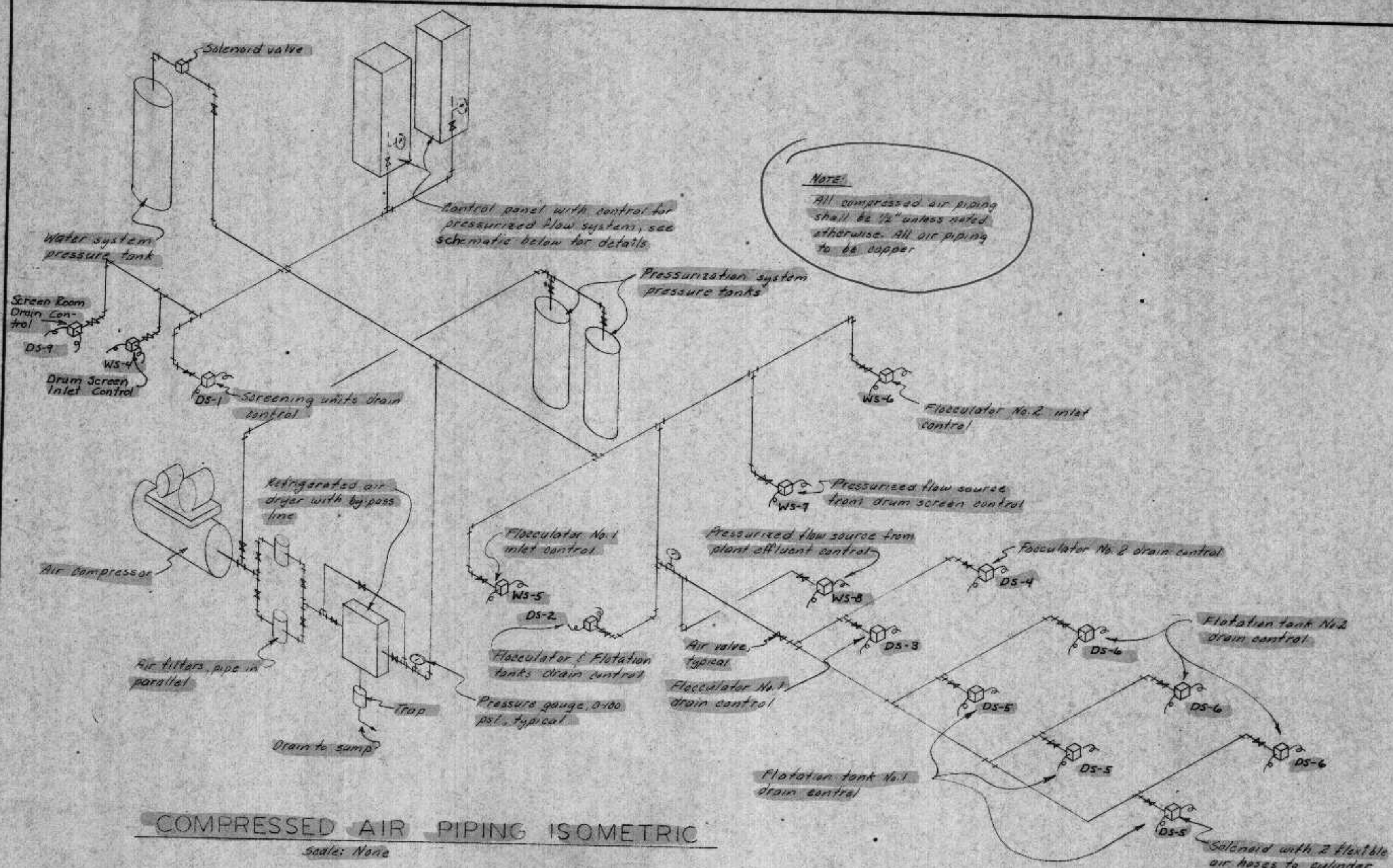
Scale: 1/2"=1'-0"

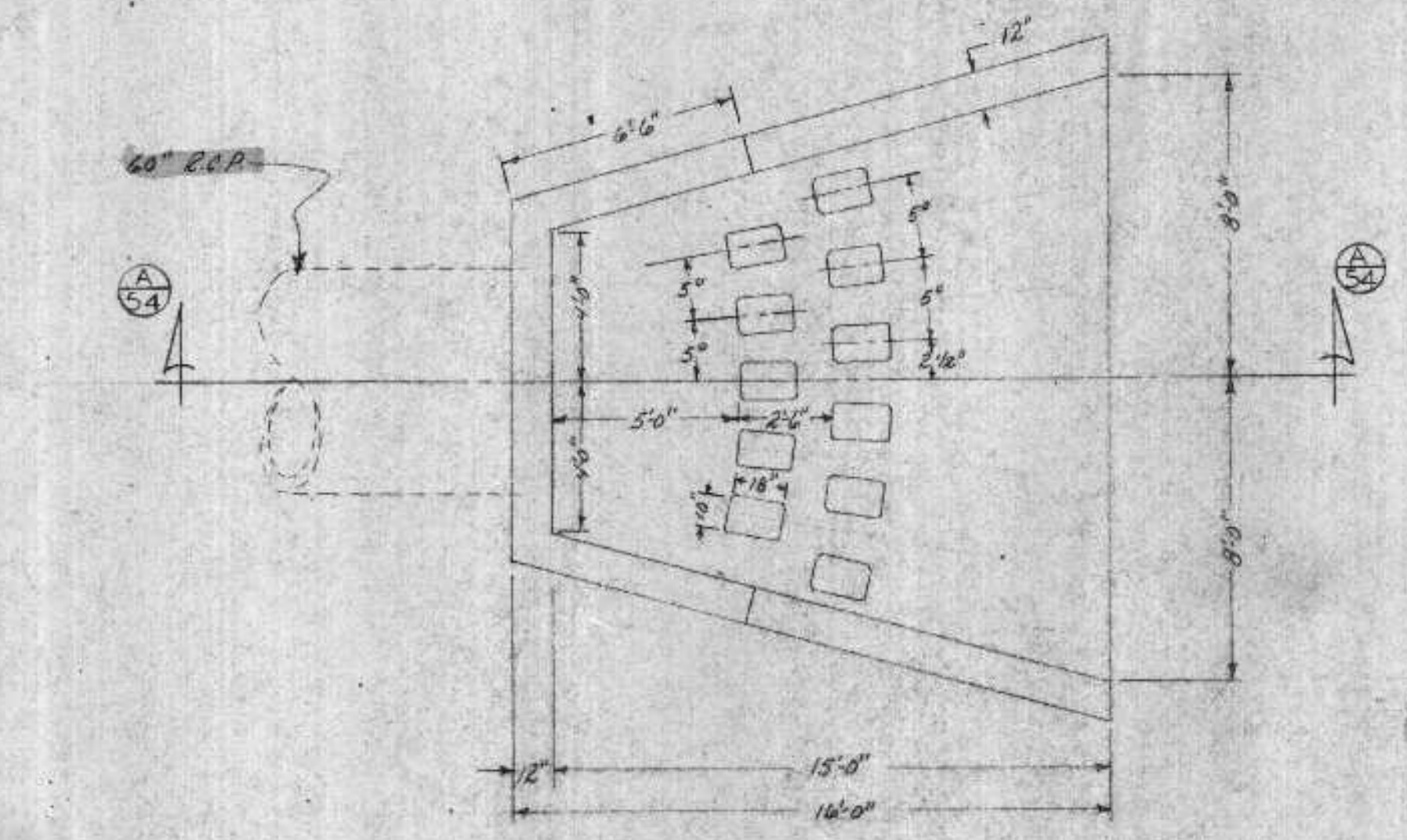
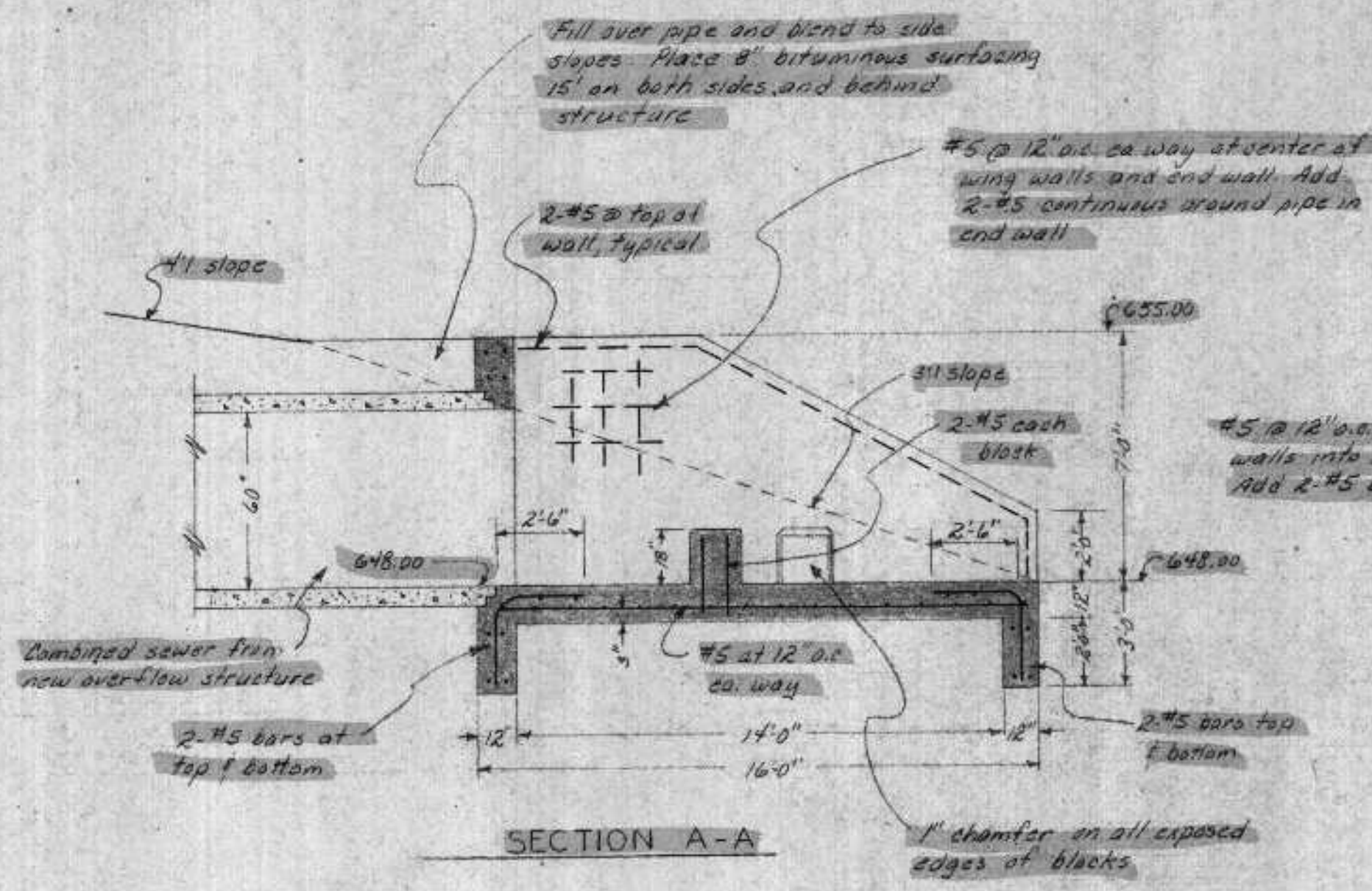


WEIR WALL DETAILS

Scale: 1/2"=1'-0"





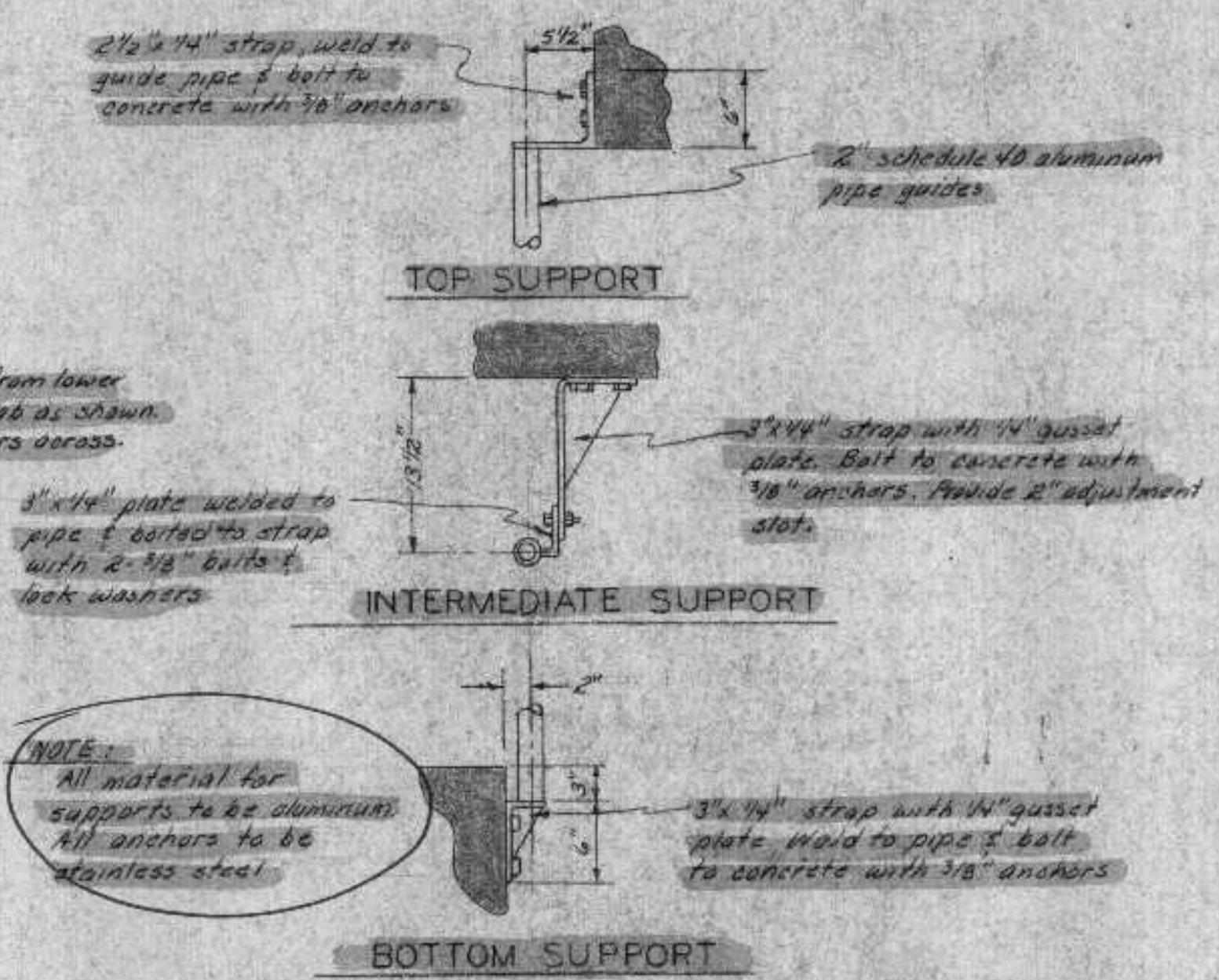


PLAN
OUTLET STRUCTURE FOR 60" R.C.P.
Scale: 1/4" = 1'-0"

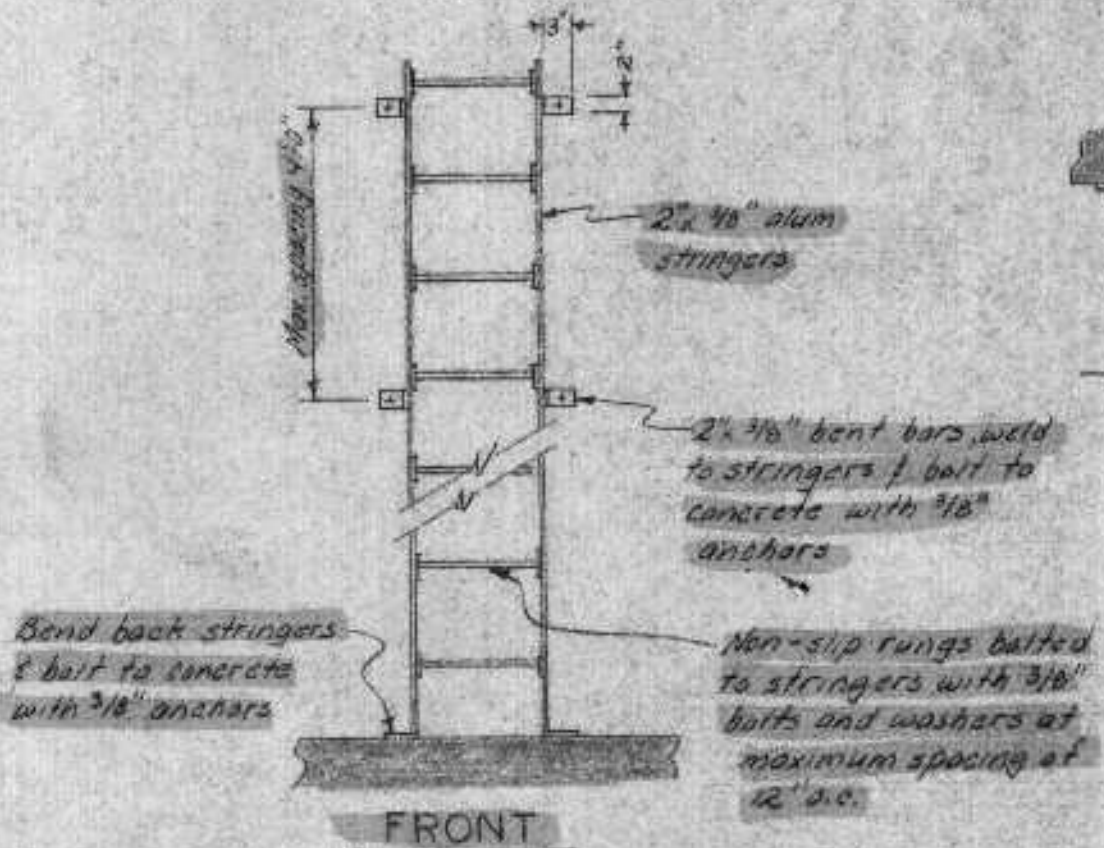
NO.	DIA.	RIM	INVERT*	PLATE NO.
1	4'	656.3	639.90	1-8
2	4'	656.5	644.75	1-8
3	4'	655.0	645.23	1-6A
4	4'	656.1	639.80	1-8
5	4'	662.6	655.36	1-8
6	4'	668.2	656.96	1-8
7	4'	662.5	650.27	1-8
8	4'	664.0	660.78	1-8

* Outlet Invert in MH - See Sheets 42 & 43 for inlet invert elevations

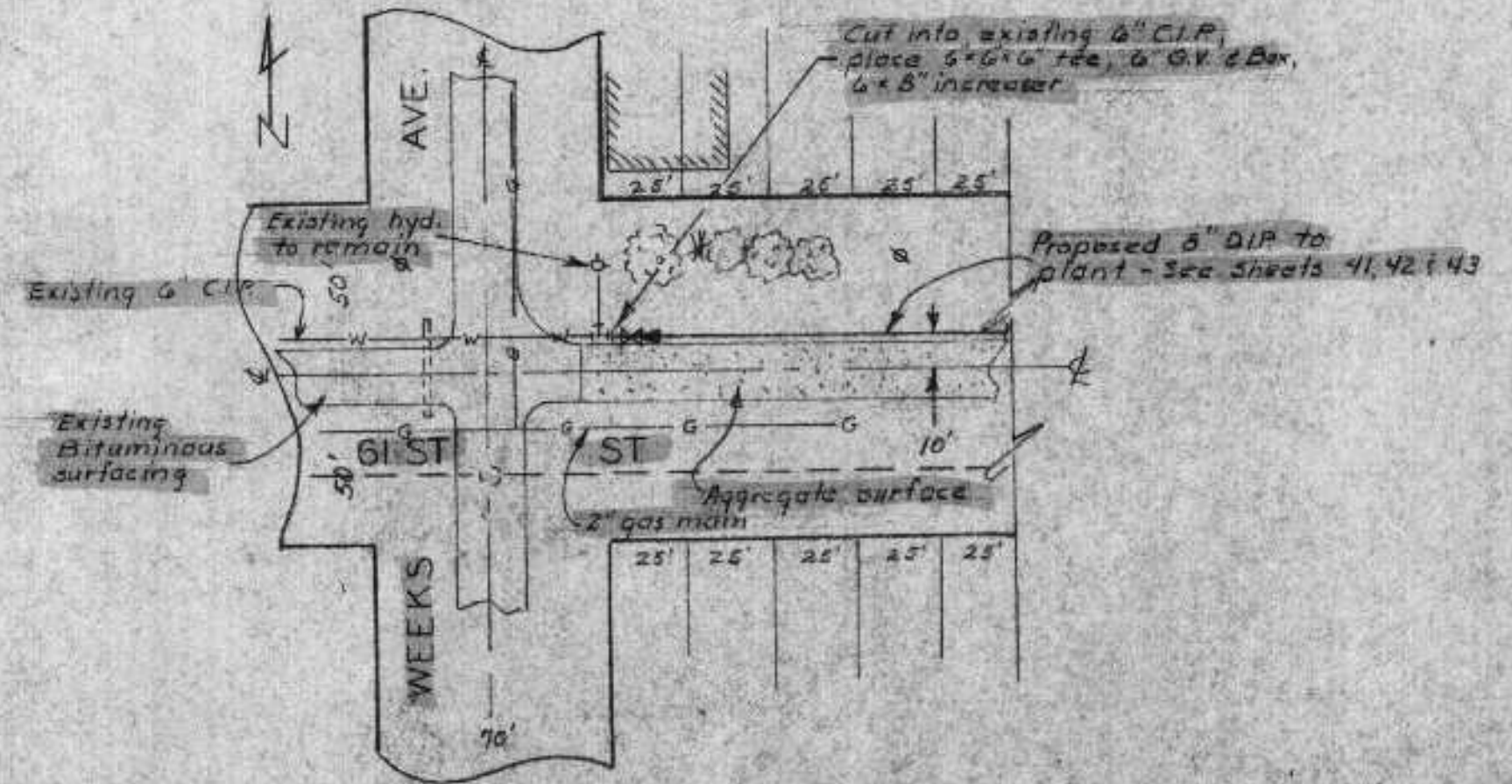
MANHOLE SCHEDULE



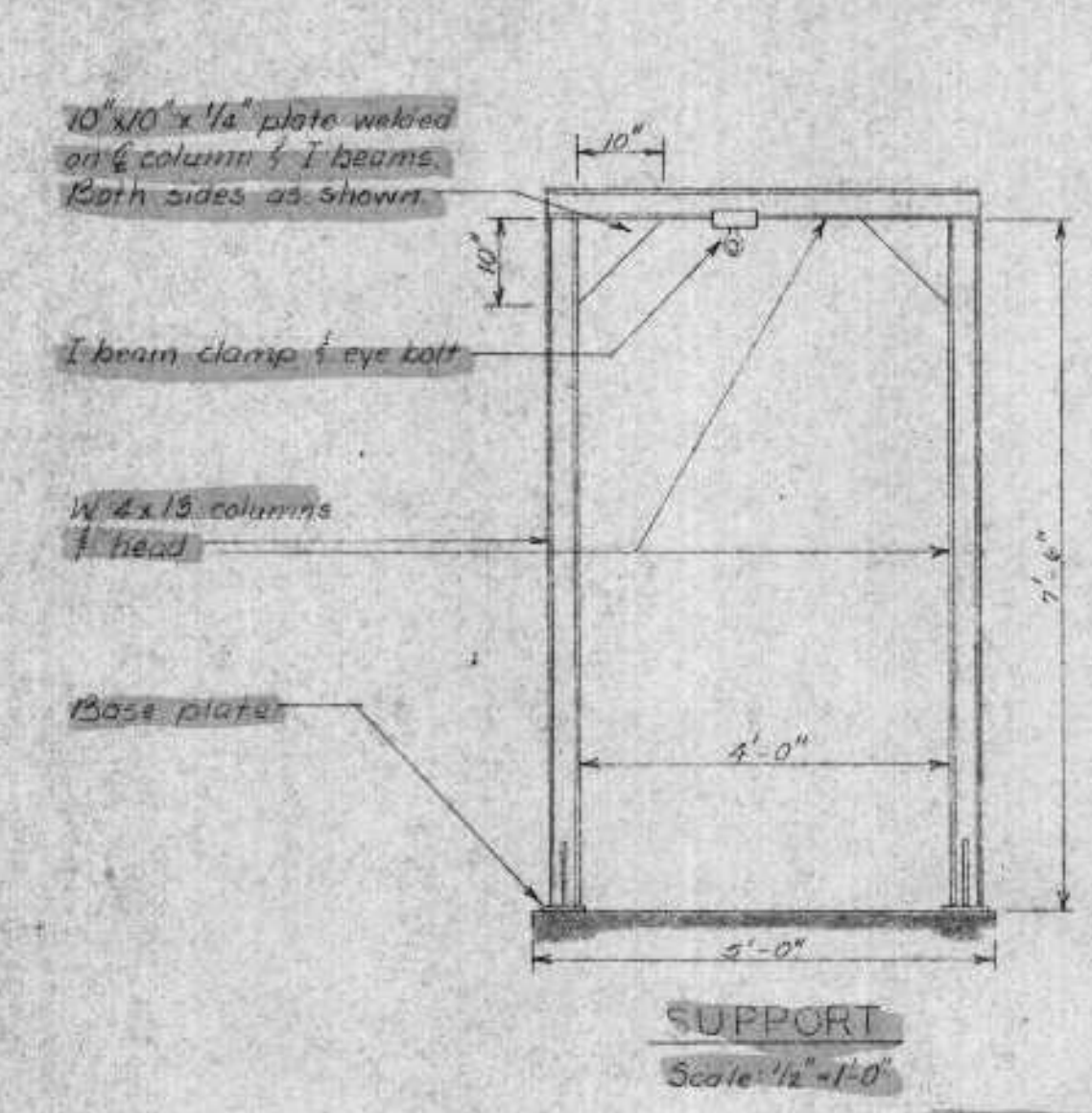
BASKET GUIDE SUPPORTS
Scale: 1" = 1'-0"



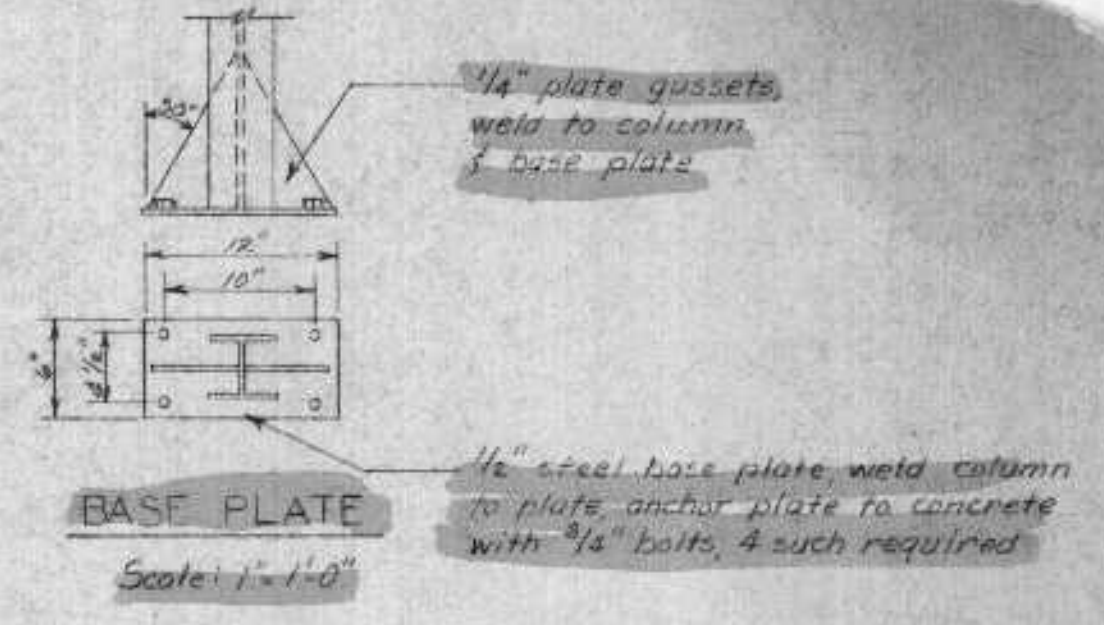
ALUMINUM LADDER DETAIL
Scale: 1/2" = 1'-0"



WATERMAIN CONNECTION DETAIL
Scale: 1" = 1'-0"

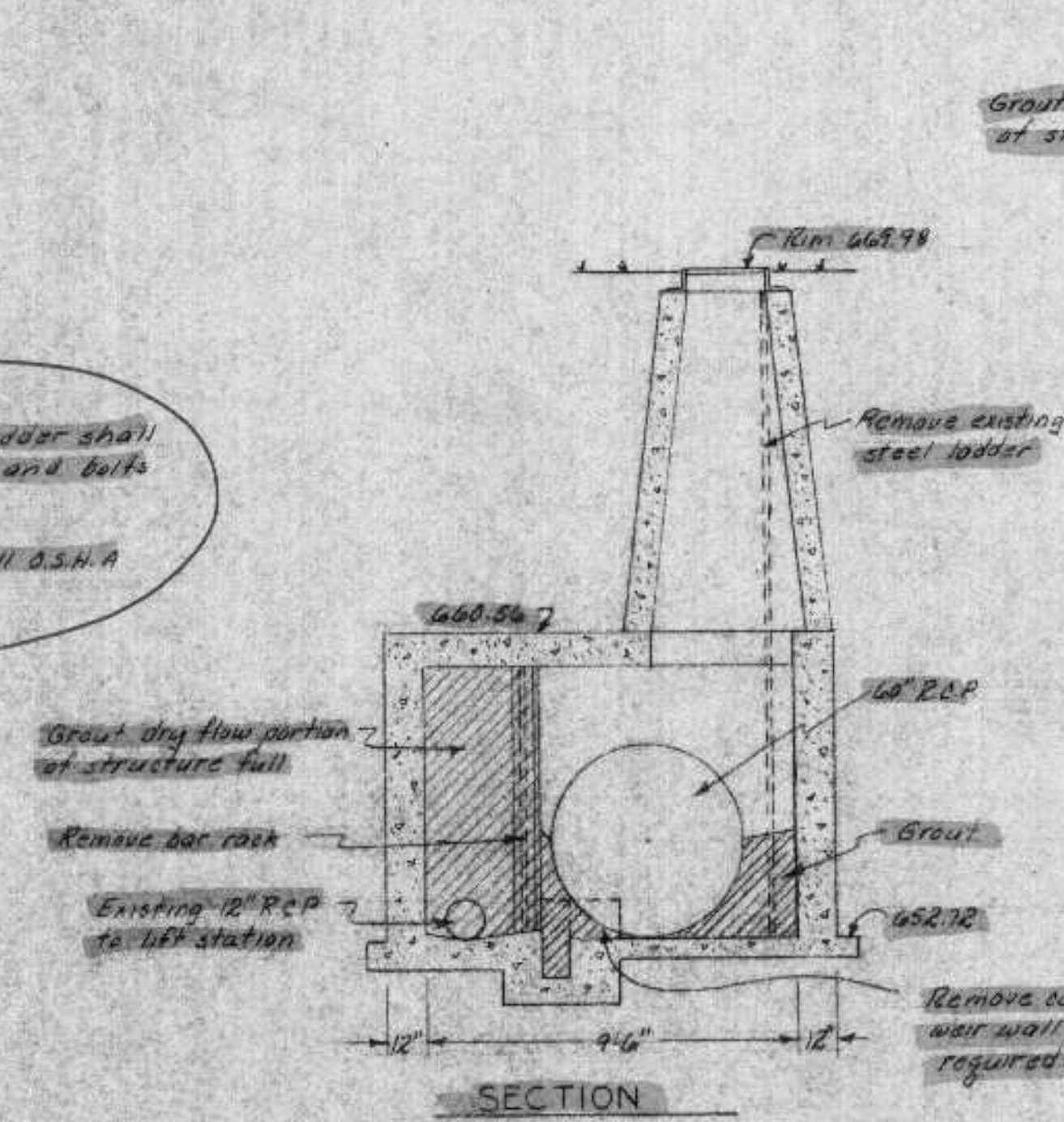


HOIST SUPPORT
Scale: 1/2" = 1'-0"

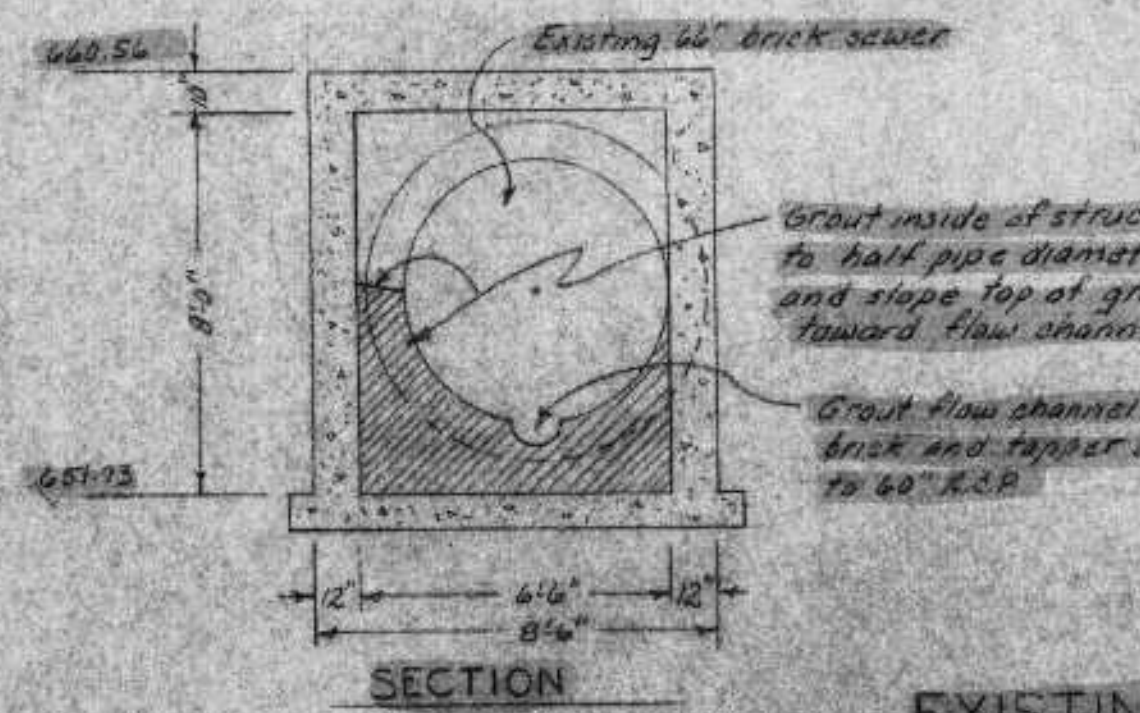


BASE PLATE
Scale: 1" = 1'-0"

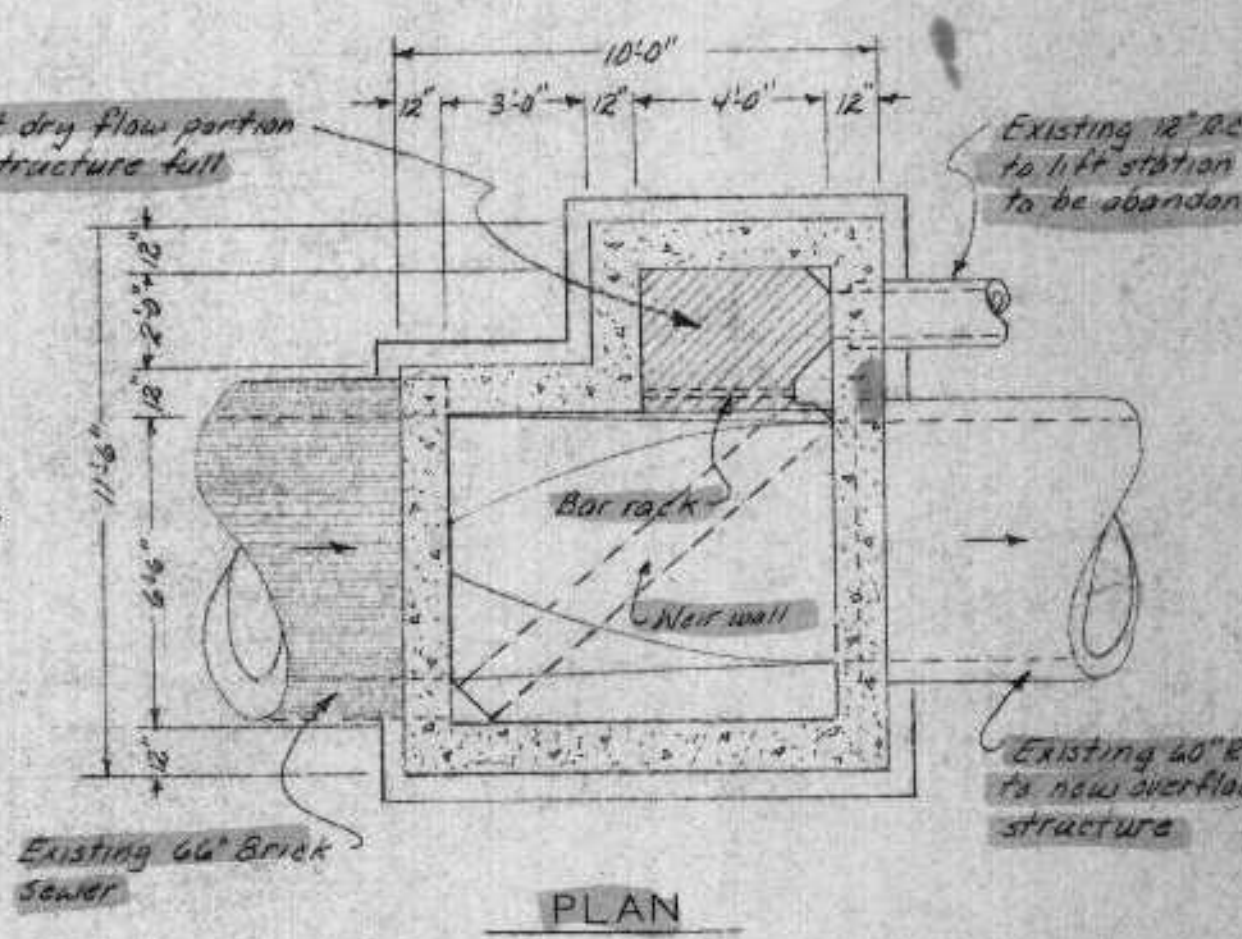
NOTES:
1. All material used for ladder shall be aluminum. Anchors and bolts shall be stainless steel.
2. Ladder shall conform to all O.S.H.A. requirements.



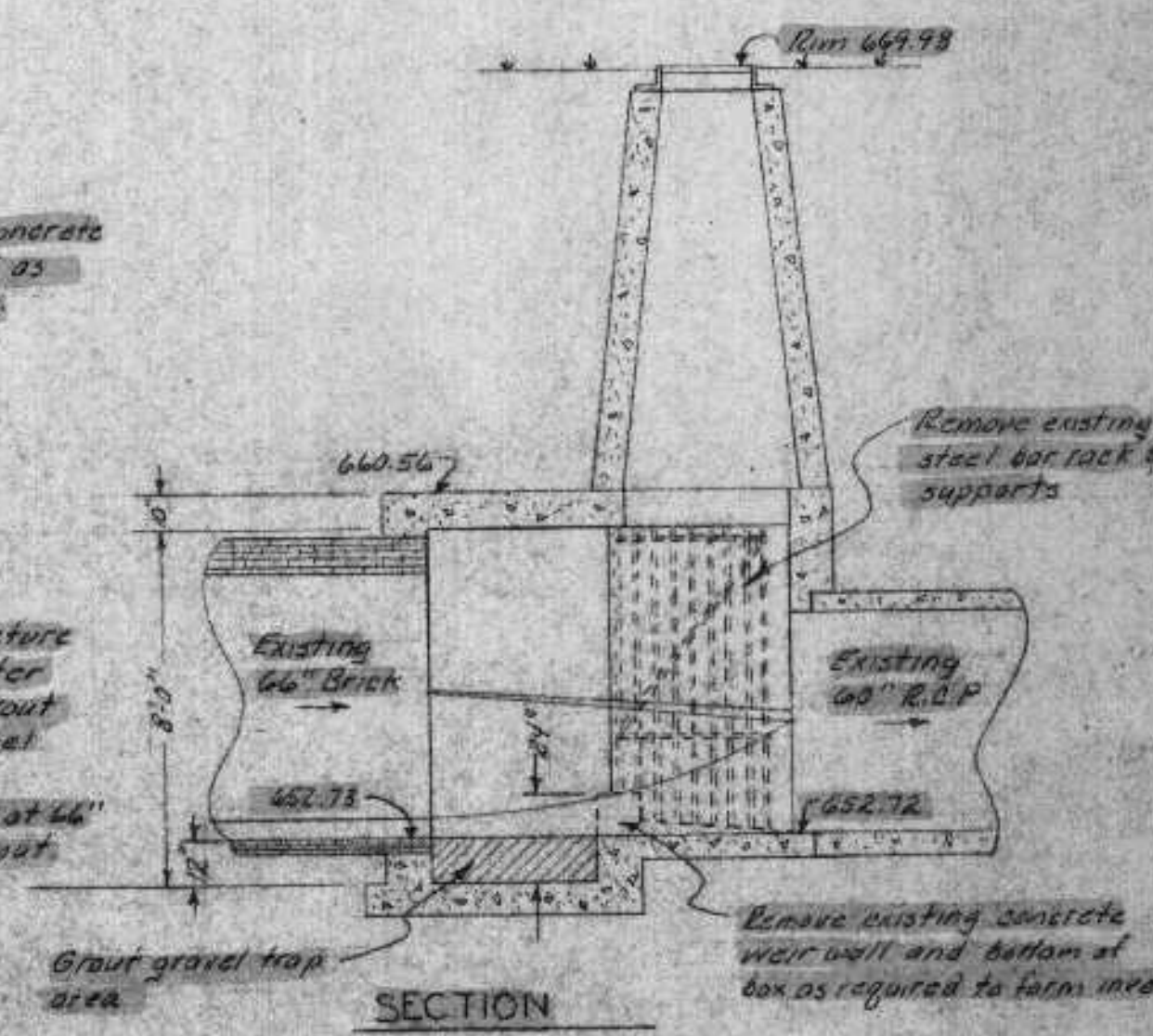
SECTION



SECTION



PLAN



SECTION

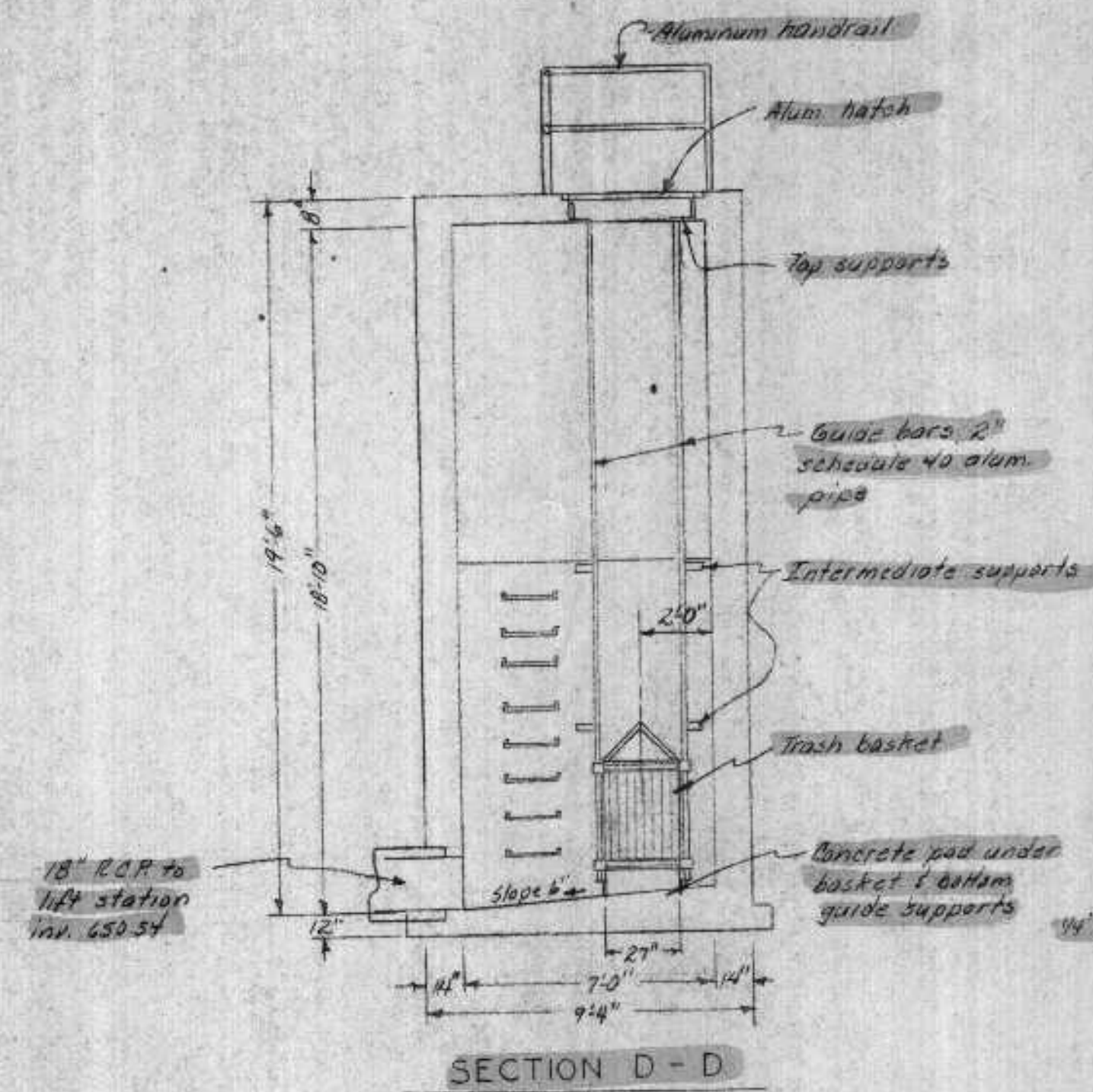
EXISTING OVERFLOW STRUCTURE
Scale: 1/4" = 1'-0"

REVISIONS
SURVEY
DRAWN
DESIGN
APPROVED

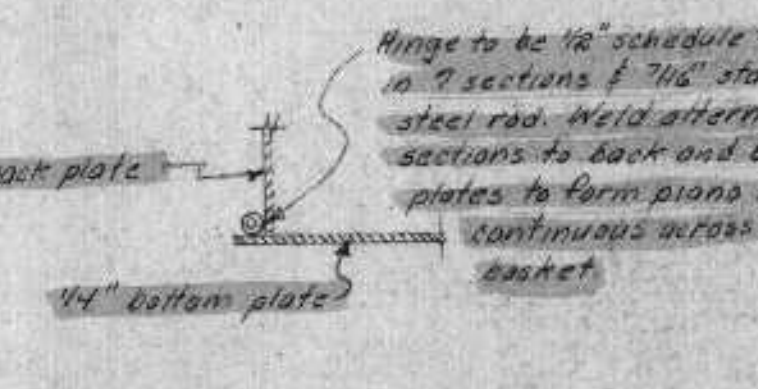
BONESTROO, ROSENE, ANDERLIK & ASSOC., INC.
ST. PAUL, MINNESOTA

SUPERIOR, WISCONSIN
DATE: FEB. 16, 1976
COMM 6888E

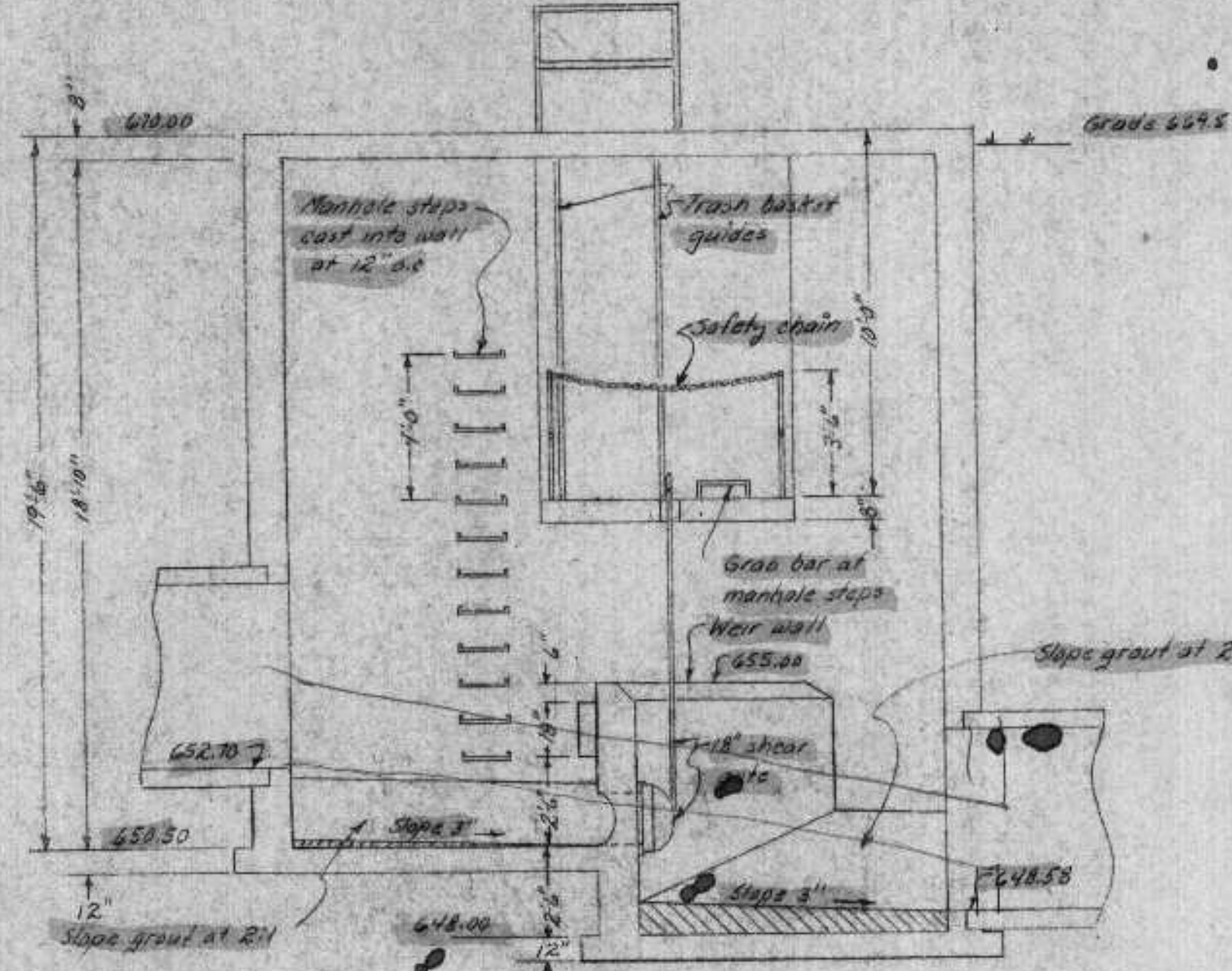
OUTLET STRUCTURE & MISCELLANEOUS DETAILS



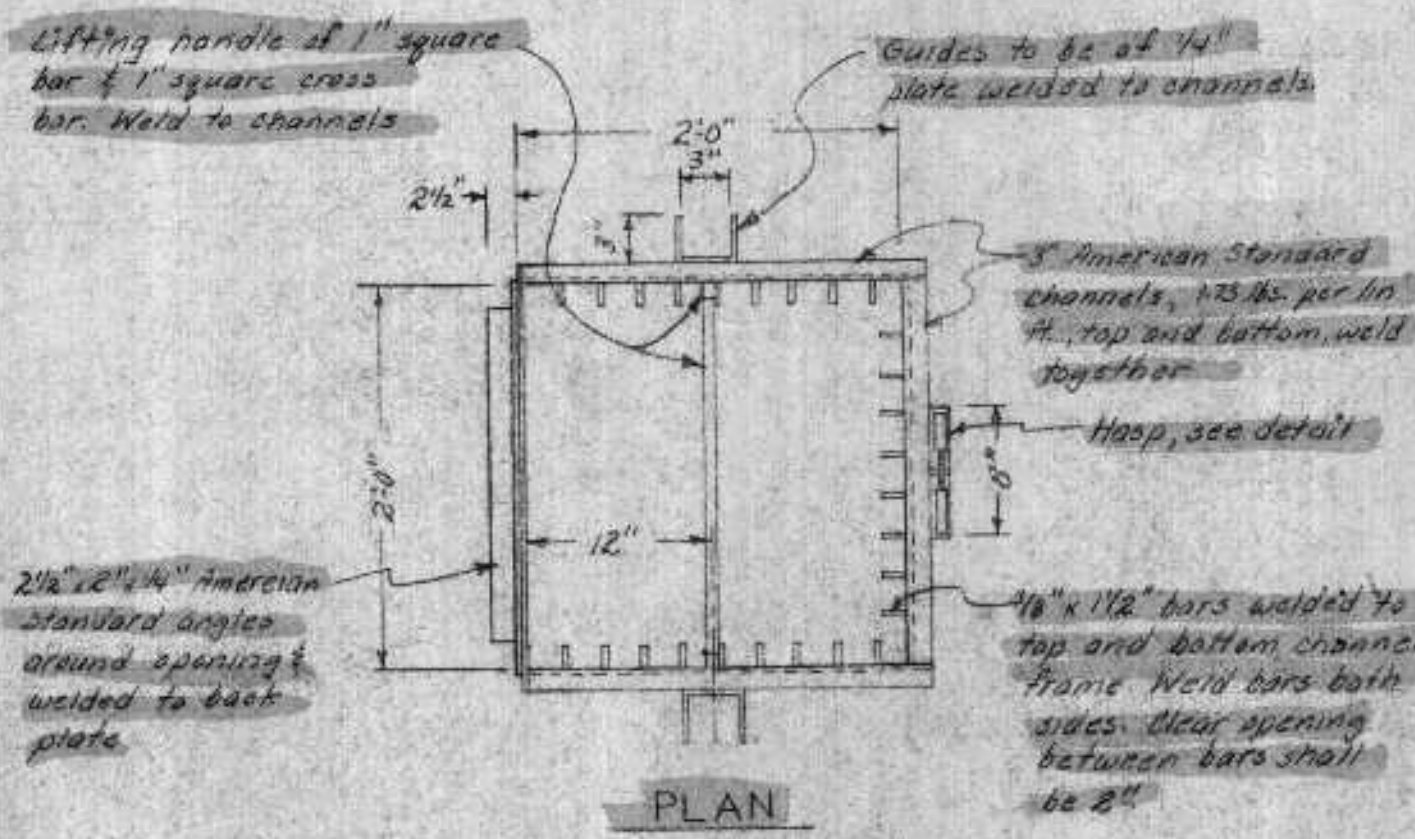
SECTION D-D



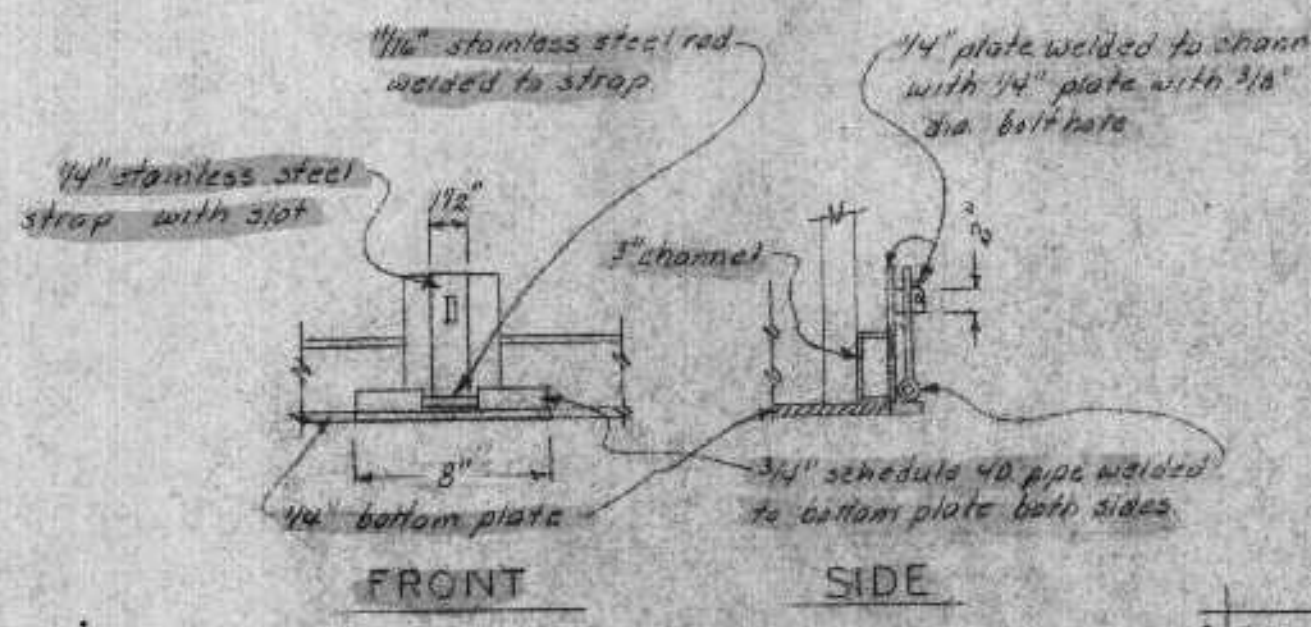
HINGE DETAIL
Scale: None



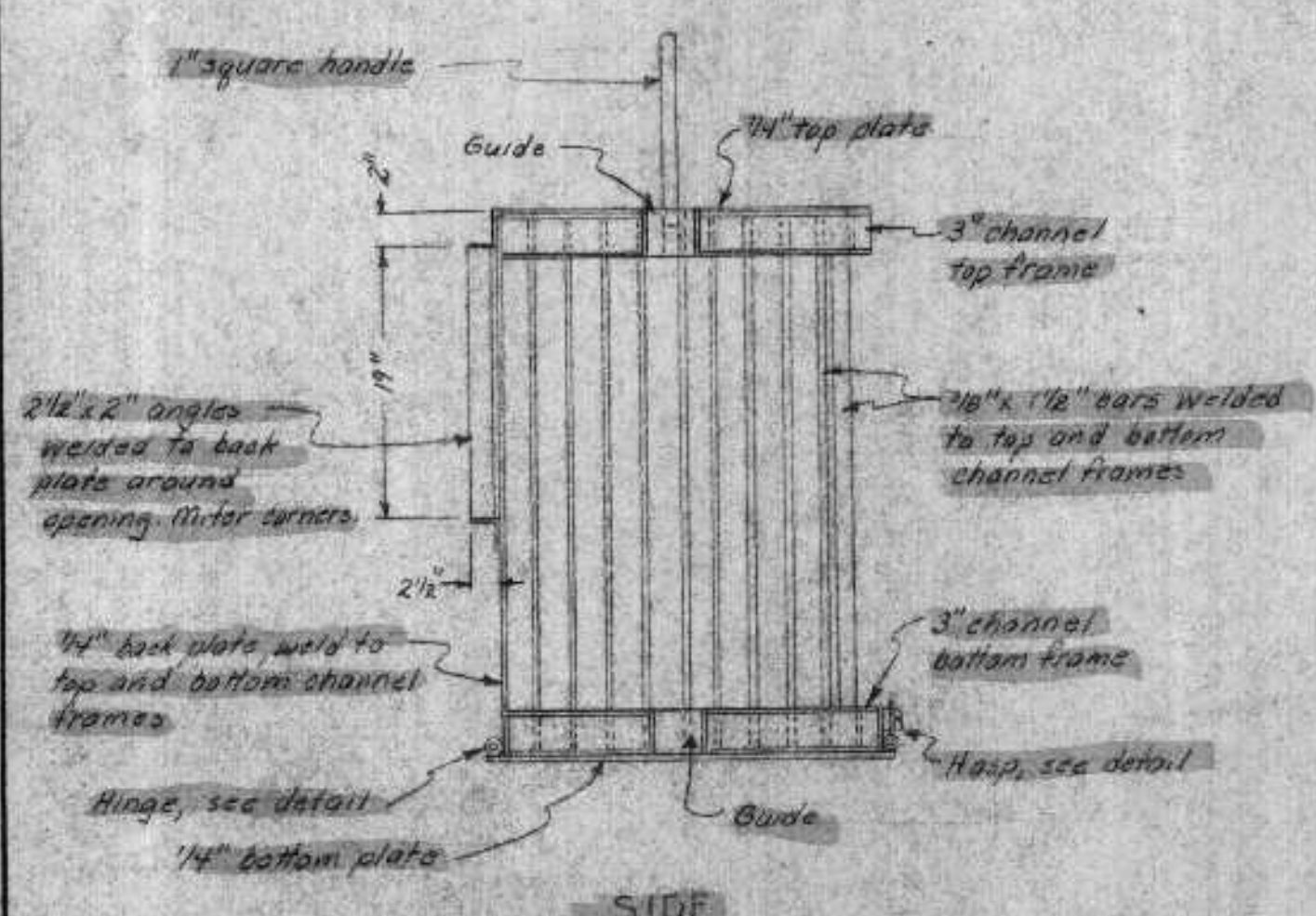
SECTION C-C



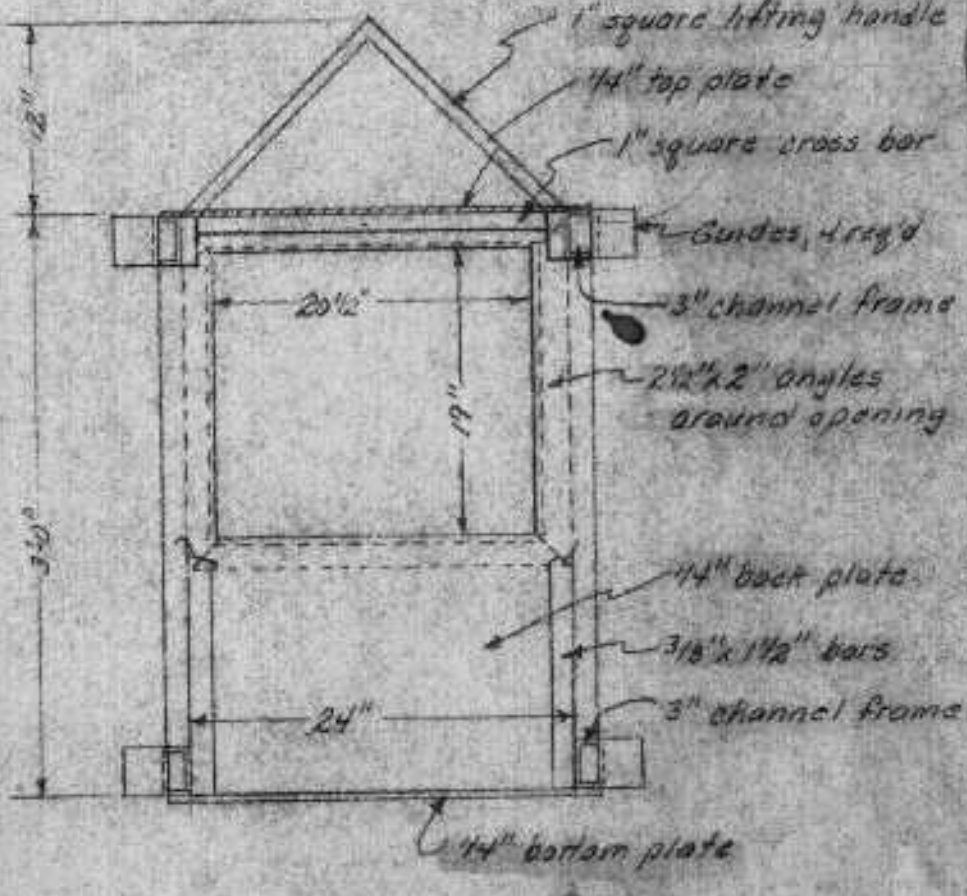
PLAN



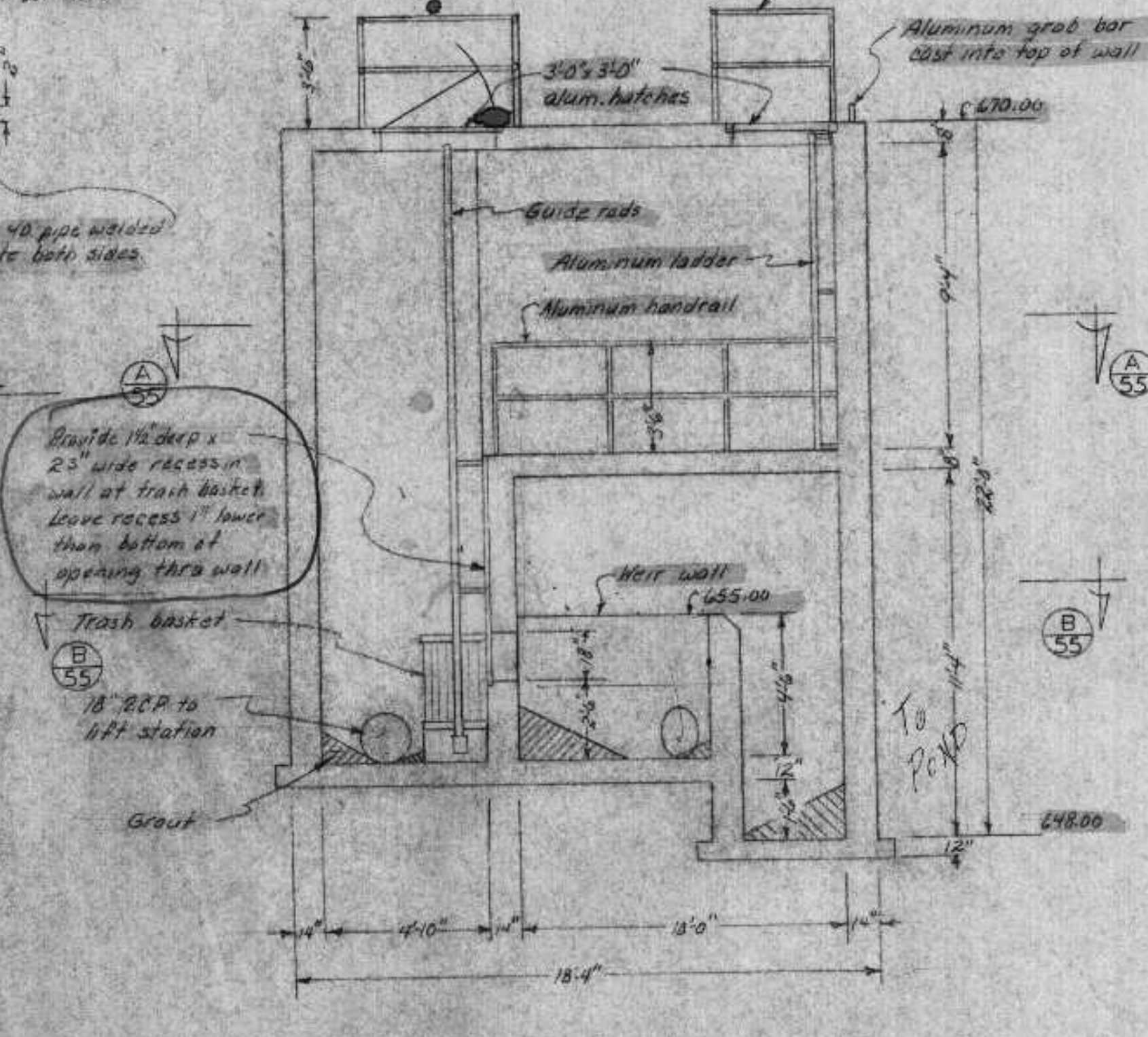
HINGE DETAIL
Scale 1/4" = 1'-0"



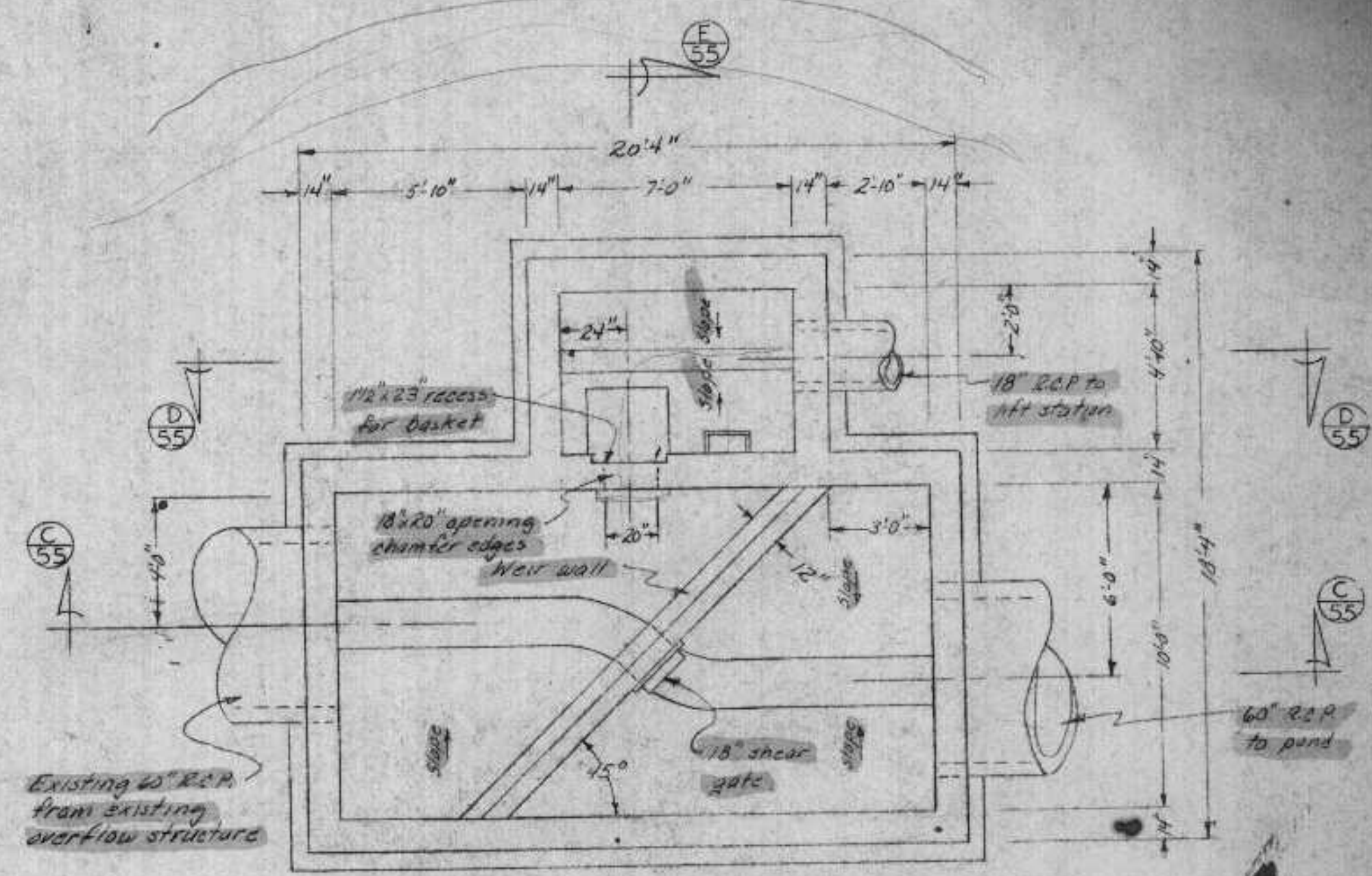
SIDE



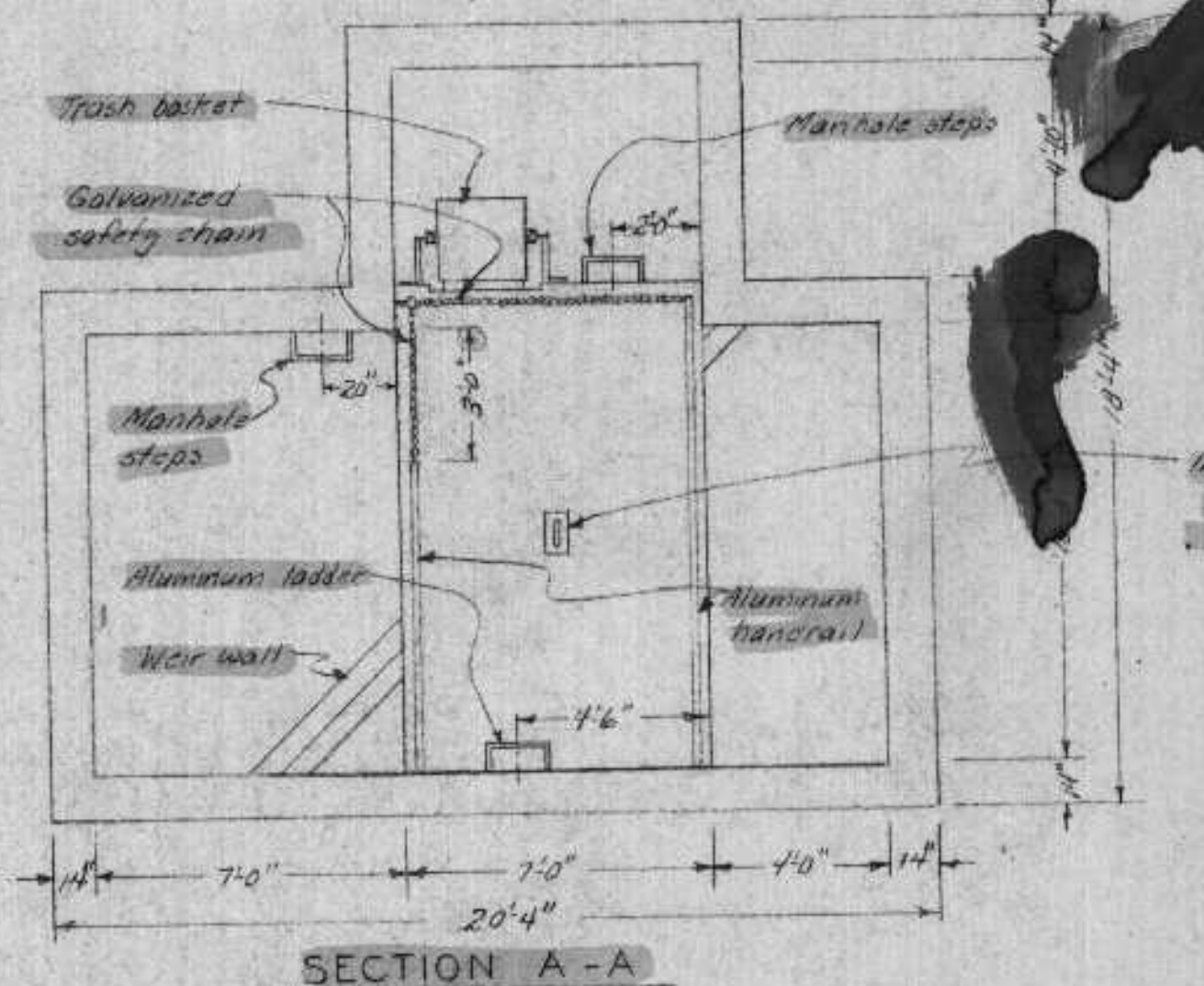
SECTION



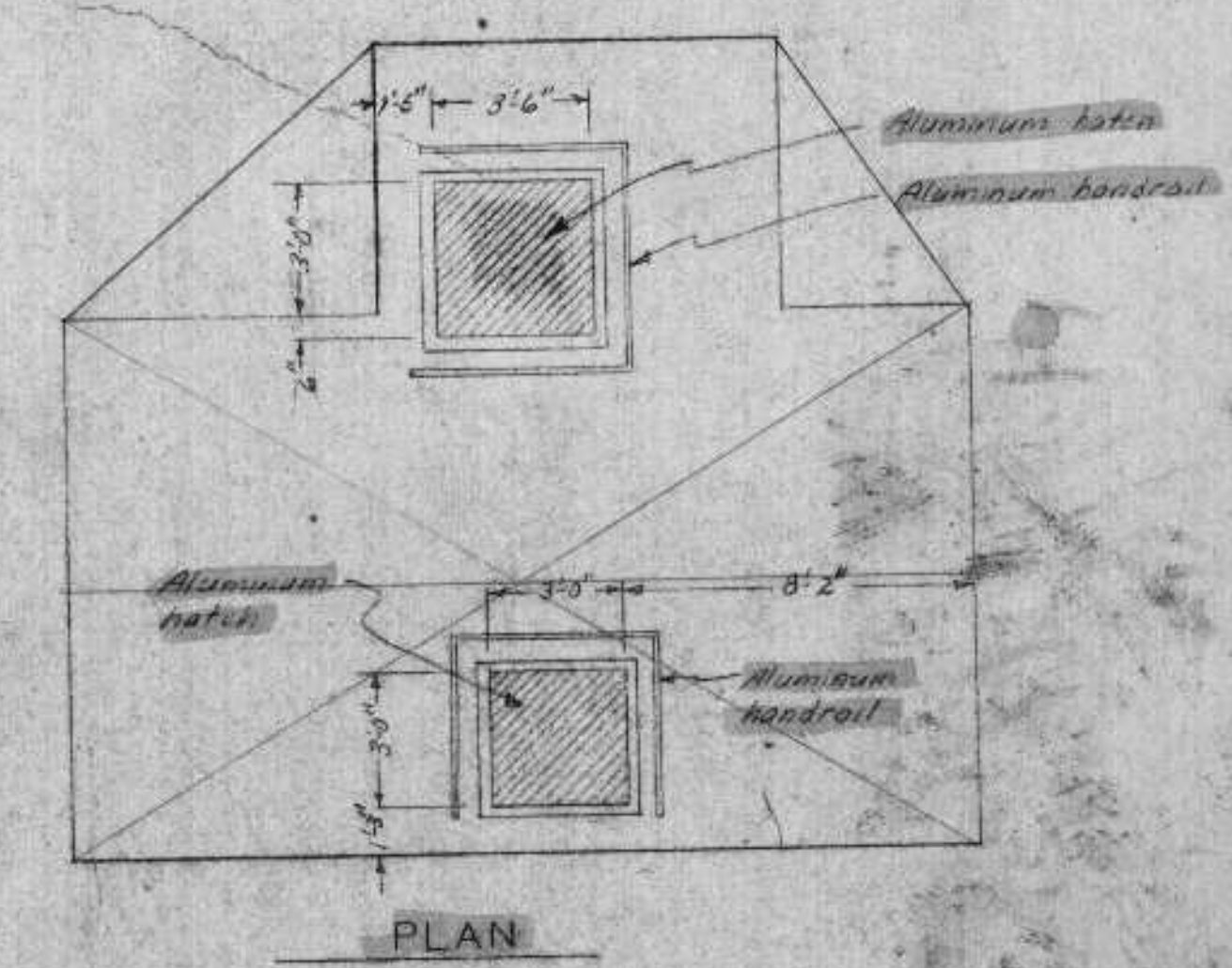
SECTION E-E



SECTION B-B



SECTION A-A

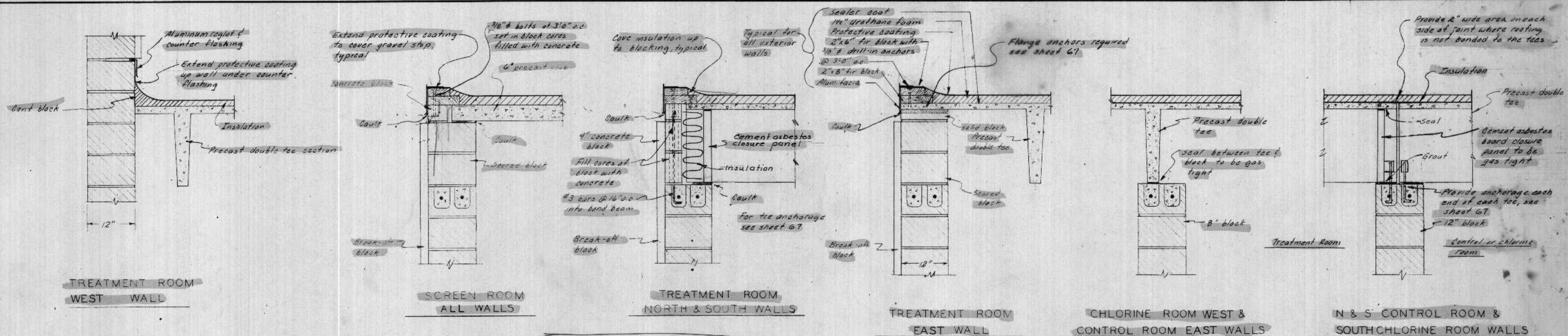


PLAN

NOTE:
All materials used for trash basket, guides and supports shall be 6061-T6 aluminum unless specifically noted otherwise.

TRASH BASKET DETAIL
Scale 1/4" = 1'-0"

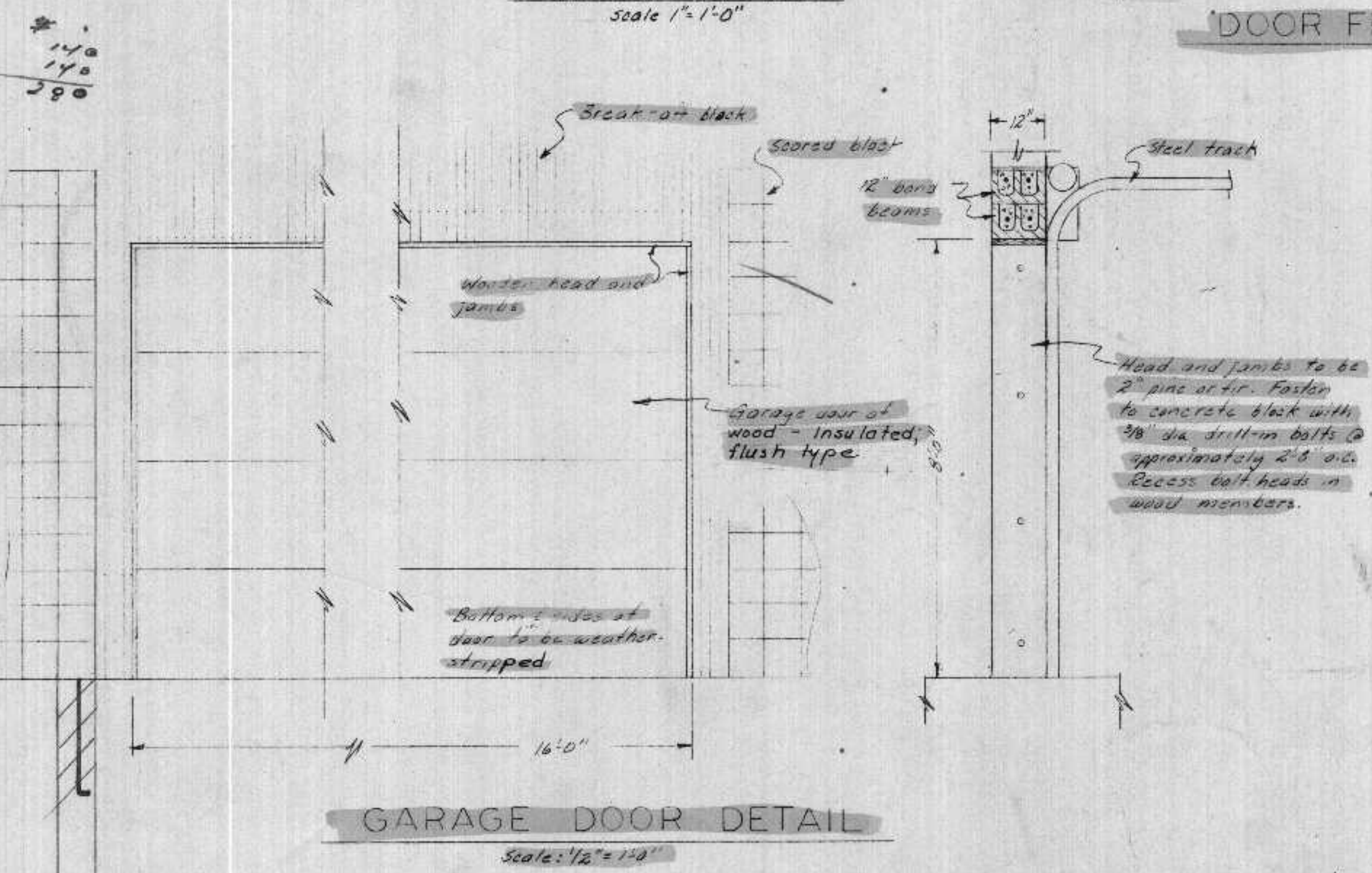
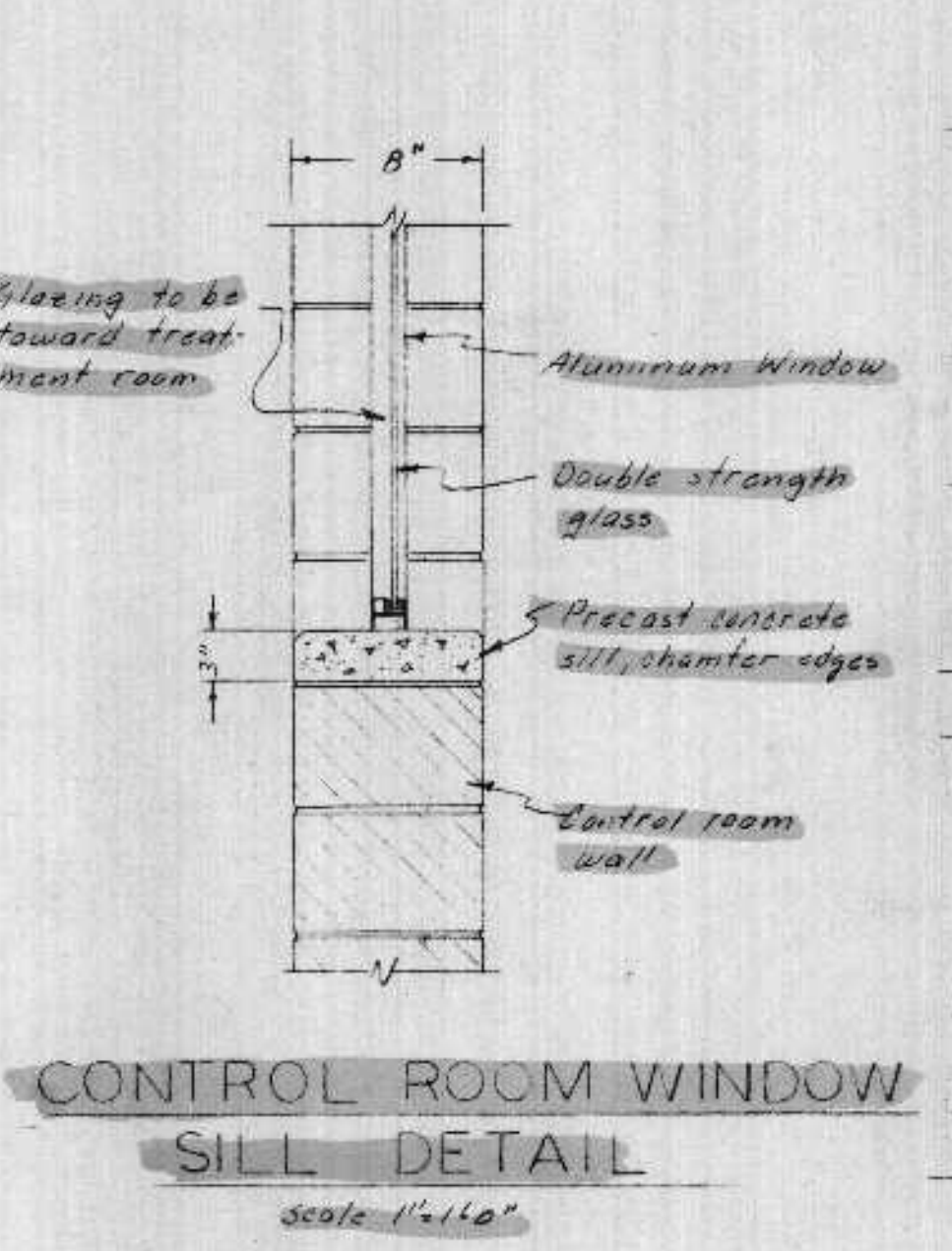
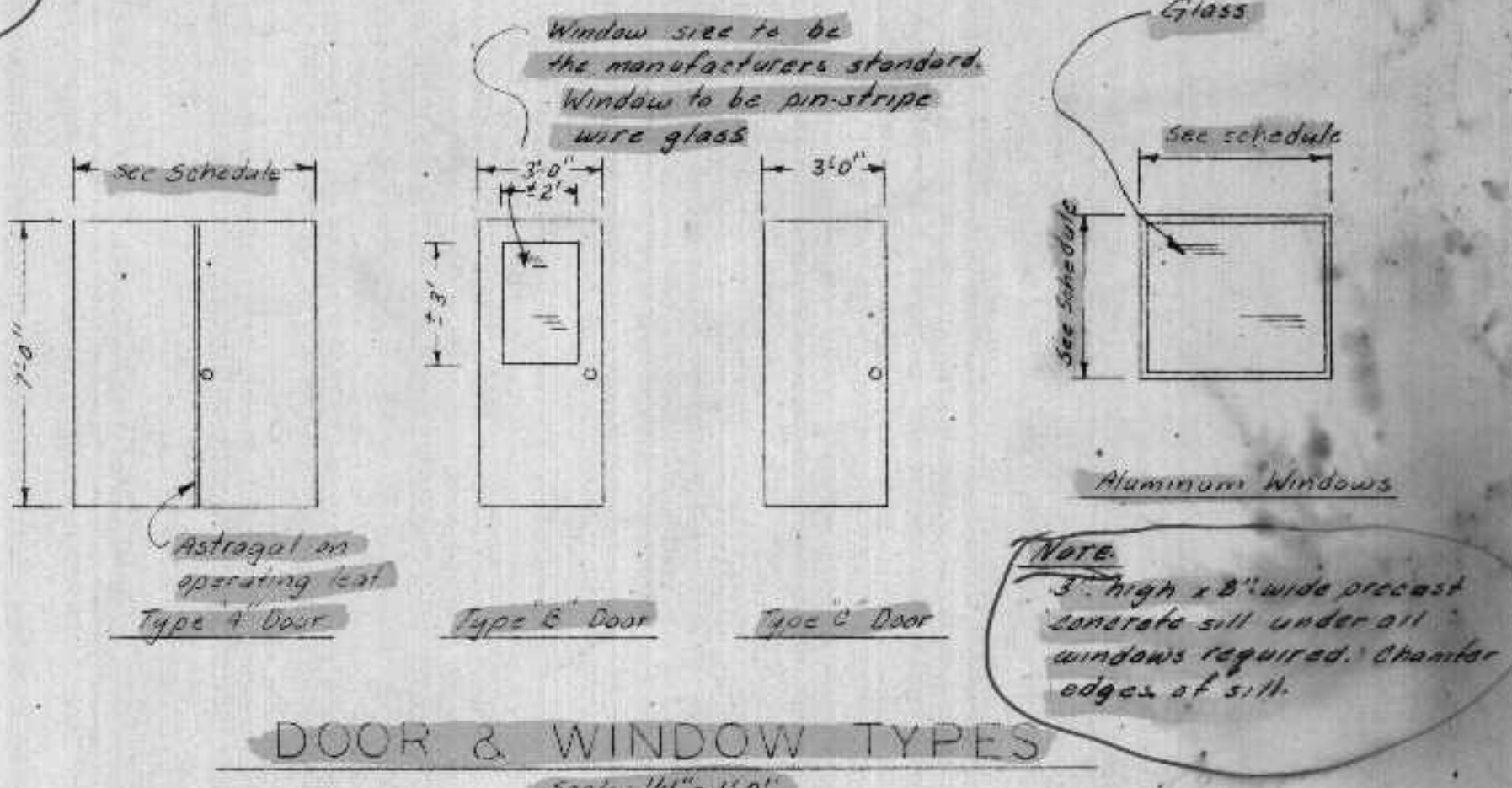
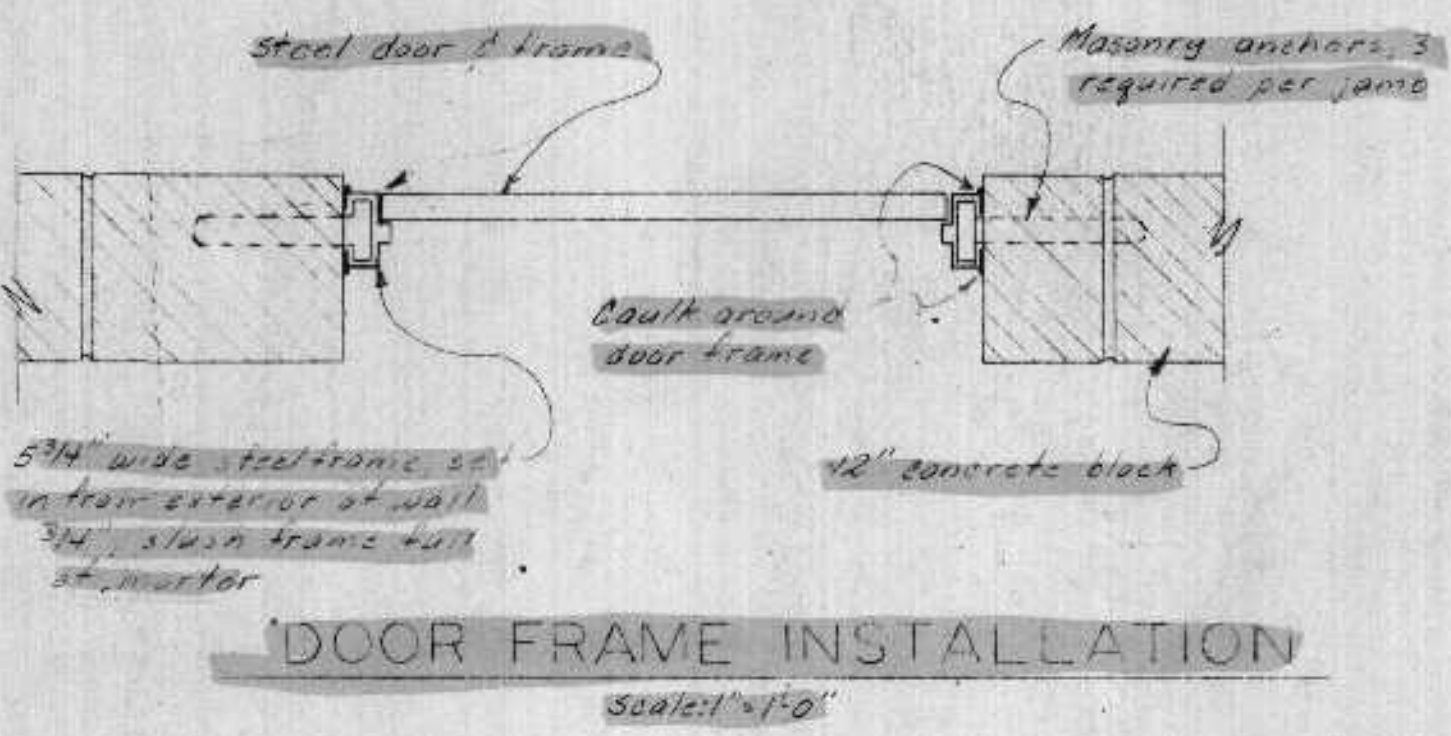
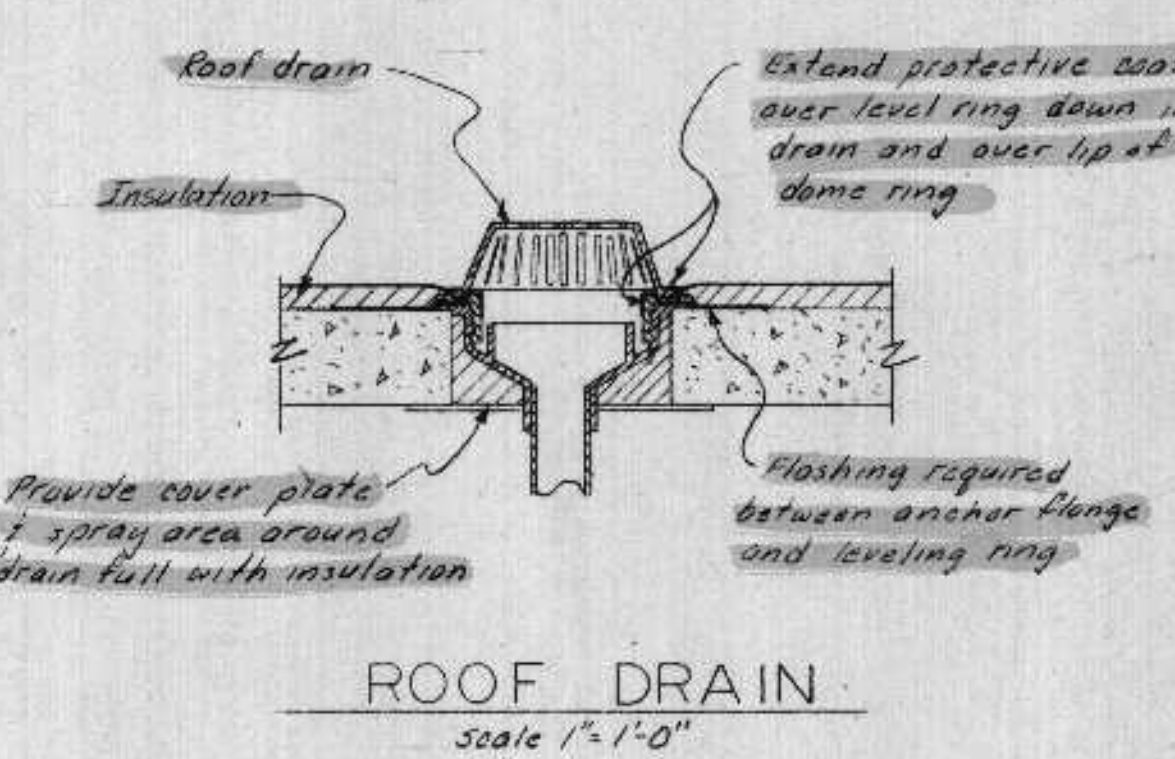
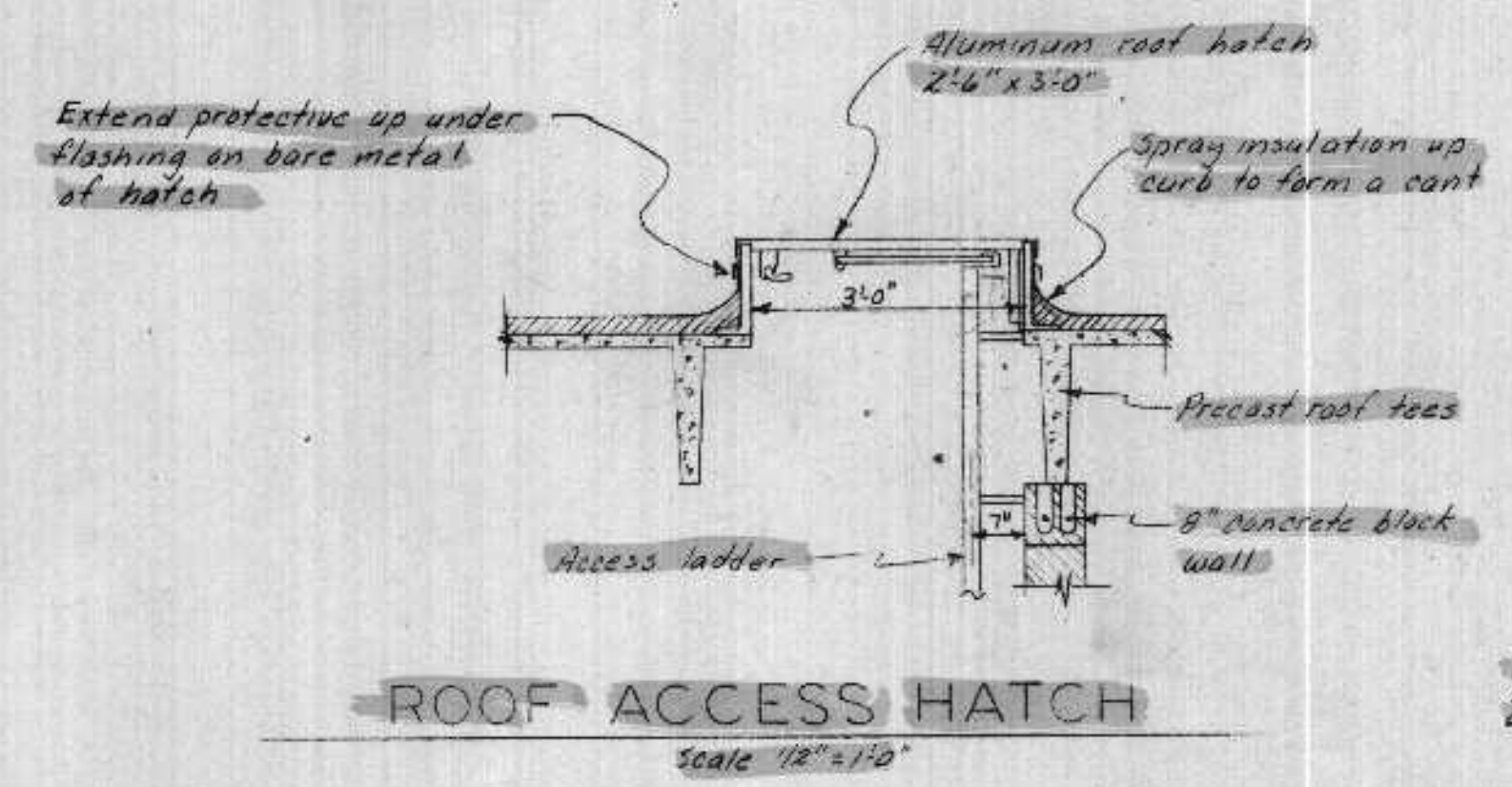
NEW OVERFLOW STRUCTURE
Scale 1/4" = 1'-0"



NOTE:
All exterior masonry walls shall have the block cores filled with insulation.

NOTE:
See sheet 67 for slab and tee anchorage to bearing walls.

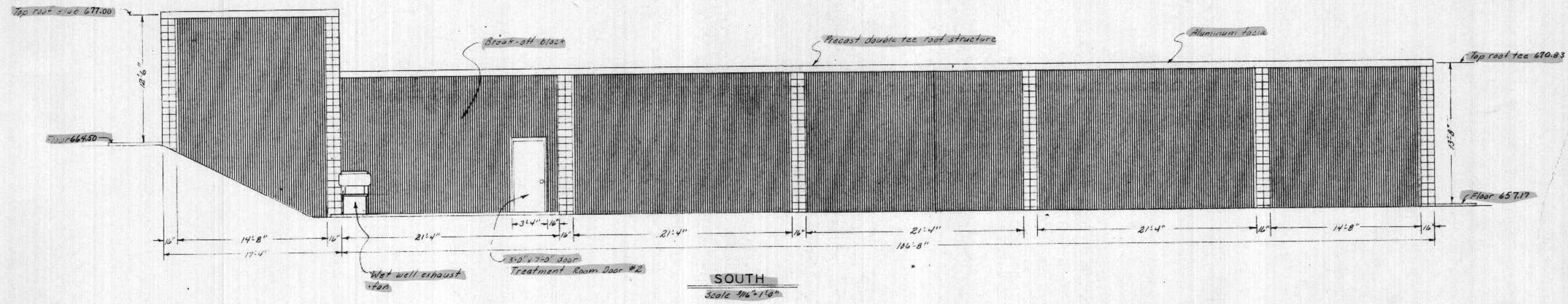
No expansion joint on north control room wall east.



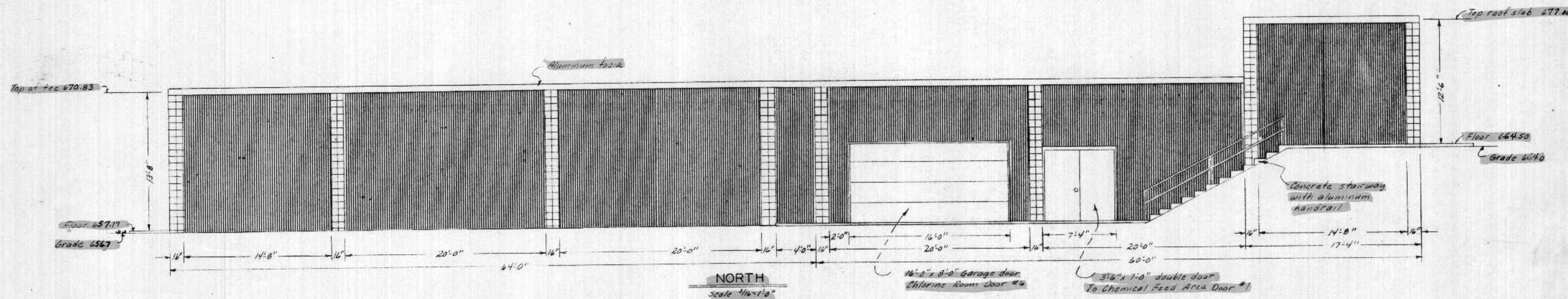
No.	LOCATION	TYPE	SIZE	THRESHOLD	LINTEL	REMARKS
1	Treatment Room - North	A	3'-6" x 7'-0" double door	Aluminum	12" bond beam	
2	Treatment Room - South	C	3'-0" x 7'-0"	Aluminum	12" bond beam	
3	Treatment Room - East	B	3'-0" x 7'-0"	Aluminum	12" bond beam	
4	Screen Room	A	3'-0" x 7'-0" double door	None	12" bond beam	
5	Chlorine Room - East	B	3'-0" x 7'-0"	Aluminum	12" bond beam	Wire glass
6	Chlorine Room - North	-	16'-0" x 8'-0" garage door	None	2-12" bond beams	Insulated, wood, flush
7	Control Room	B	3'-0" x 7'-0"	Aluminum	12" bond beam	Wire glass
1	Control Room - South	-	4'-0" x 3'-9"	-	12" bond beam	Double strength glass
2	Control Room - East	-	4'-8" x 3'-9"	-	12" bond beam	Double strength glass

DOOR & WINDOW SCHEDULE

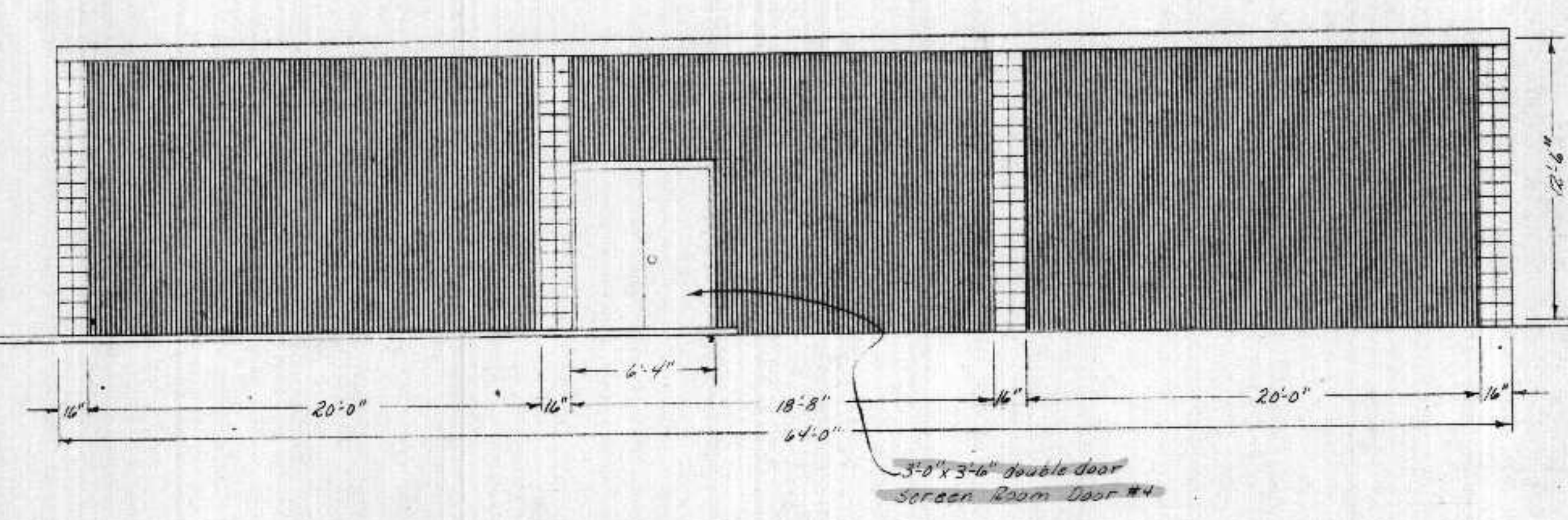
NOTE:
Window dimensions are approximate.



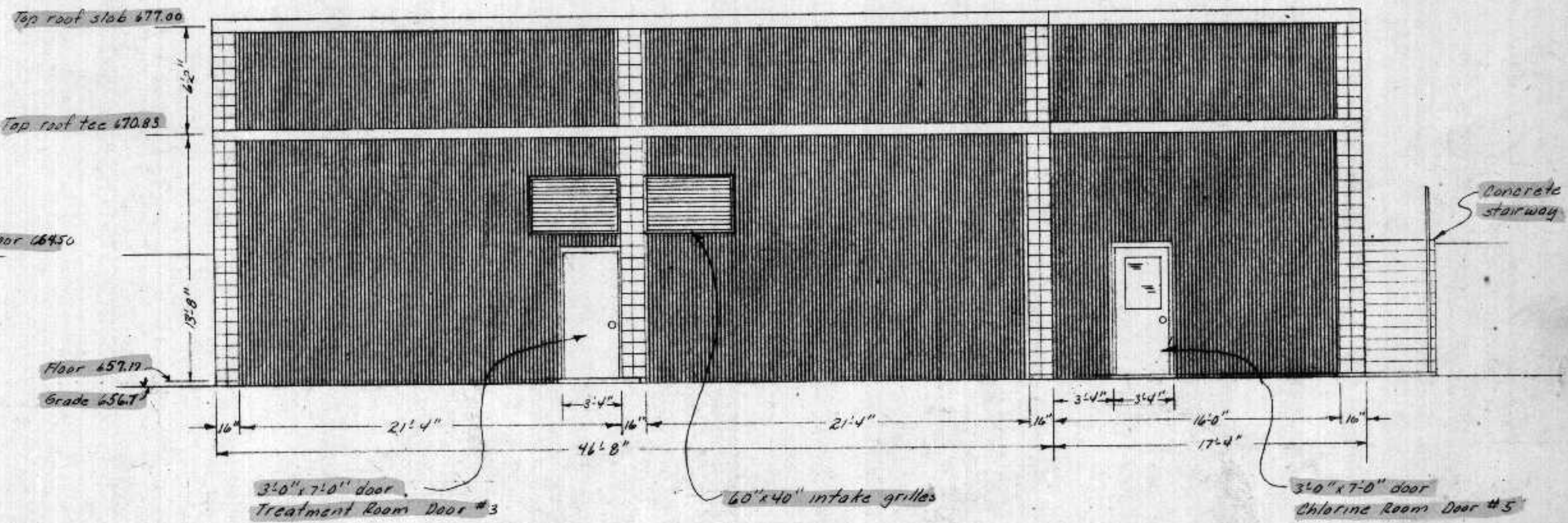
SOUTH
Scale 3/16" = 1'-0"



NORTH
Scale 3/16" = 1'-0"



WEST
Scale 3/16" = 1'-0"



EAST
Scale 3/16" = 1'-0"

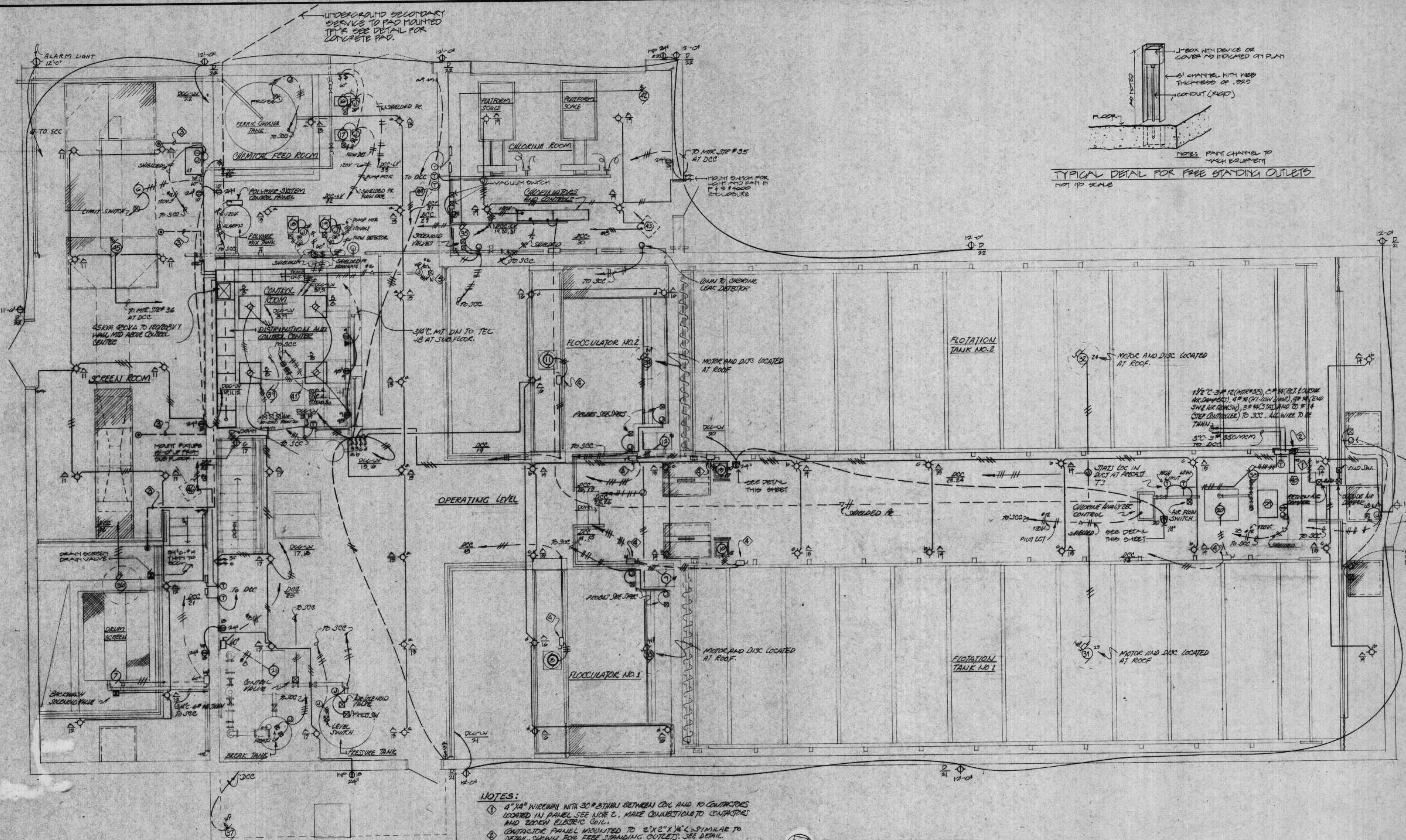
PLANT ELEVATIONS
Scale 3/16" = 1'-0"

I HEREBY CERTIFY THAT THIS PLAN WAS PREPARED BY AN ARCHITECT OR ENGINEER REGISTERED UNDER THE LAWS OF THE STATE OF WISCONSIN.
DATE 2/16/76 BY SA E12927 Richard E. ...

APPROVED	DESIGNED	RWF
	DRAWN	RWF
	CHECKED	RWF
	DATE	2/16/76

DONESTRO, ROSENE, ANDERLIK & ASSOC., INC.
ST. PAUL, MINNESOTA

SUPERIOR, WISCONSIN
DATE: FEB. 16, 1976 CDMM 6885 E



- NOTES:**
- ① 4" x 4" WIREWAY WITH 30 # STAINL BETWEEN COIL AND TO CONTACTS LOCATED IN PANEL SEE NOTE 2. MAKE CONNECTIONS TO CONTACTS AND BROWN ELECTRIC COIL.
 - ② CONTACTOR PANEL MOUNTED TO 2" x 2" x 1/4" L SIMILAR TO DETAIL SHOWN FOR FREE STANDING OUTLETS. SEE DETAIL.
 - ③ 1" CONDUIT WITH 1/2" ELASTIC TUBE FOR BUBBLE LINE BETWEEN STILLING WELL AND SCC.
 - ④ DISCONNECT SWITCH TO BE MOUNTED ON RAILING. SEE DETAIL.
 - ⑤ RAIN GAUGE ROOF MTD. MAKE CONN TO EQUIP FROM CAST WEATHER-PROOF BOX MOUNTED 12" ABOVE ROOF.

PLANT FLOOR PLAN
 SCALE: 1/4" = 1'-0"
 NORTH

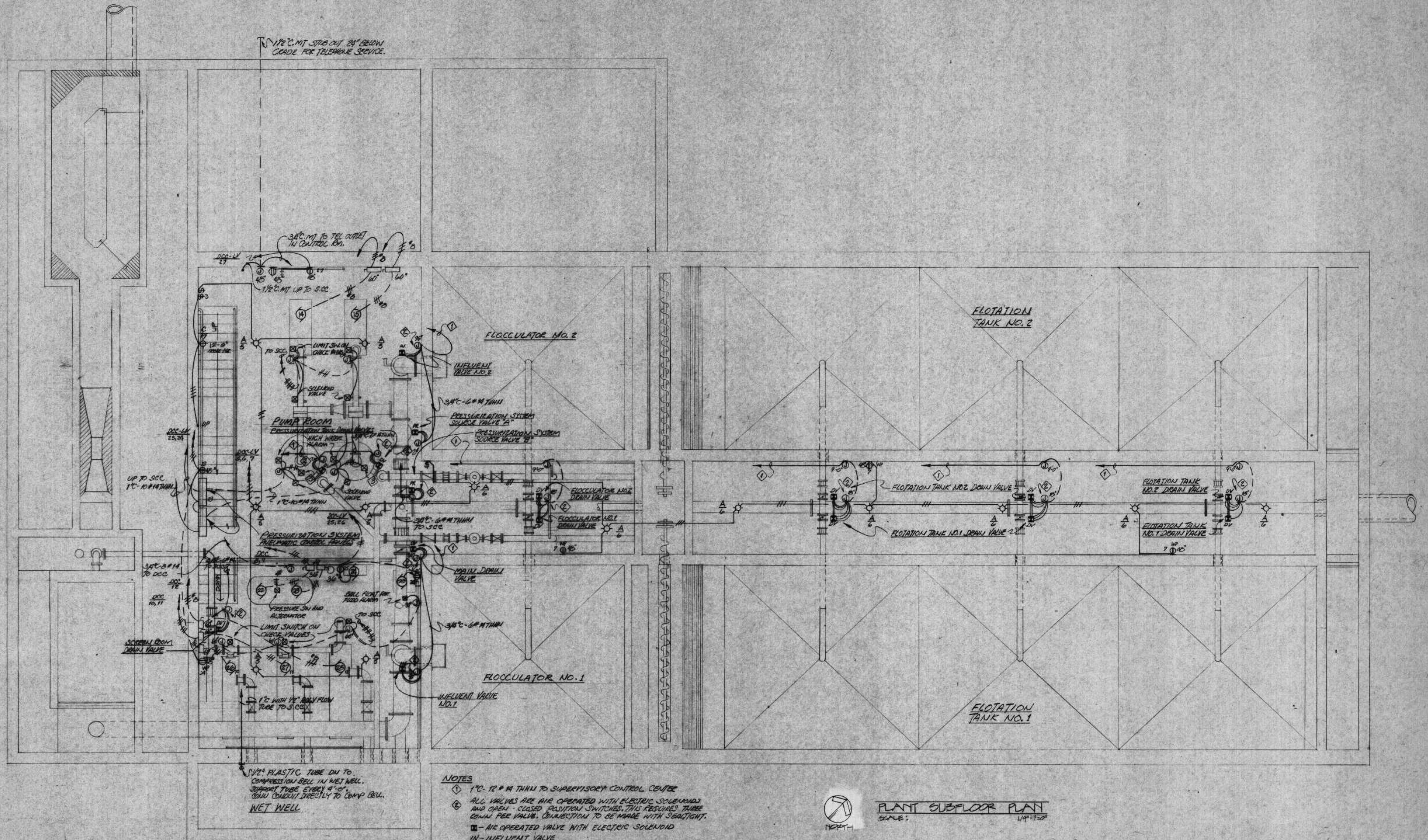
ERIKSEN ELLISON
 AND ASSOCIATES INC.
 CONSULTING ENGINEERS
 SAINT PAUL, MINNESOTA

Handwritten signature: E. Ellison

HONESTROO, ROSENE, ANDERLIK & ASSOC., INC.
 ST. PAUL, MINNESOTA

SUPERIOR, WISCONSIN
 DATE: FEB. 11, 1976
 CDMM 6888E

SOUTH SUPERIOR CSO PLANT
ELECTRICAL



1/2" C. MT. STR. OUT. 24" BELOW
GRADE FOR TELEPHONE SERVICE.

3/8" C. MT. TO TEL. OUTLET
IN CONTROL RM.

1/2" C. MT. UP TO SEC.

UP TO SEC.
1" C. 10" M. THIN

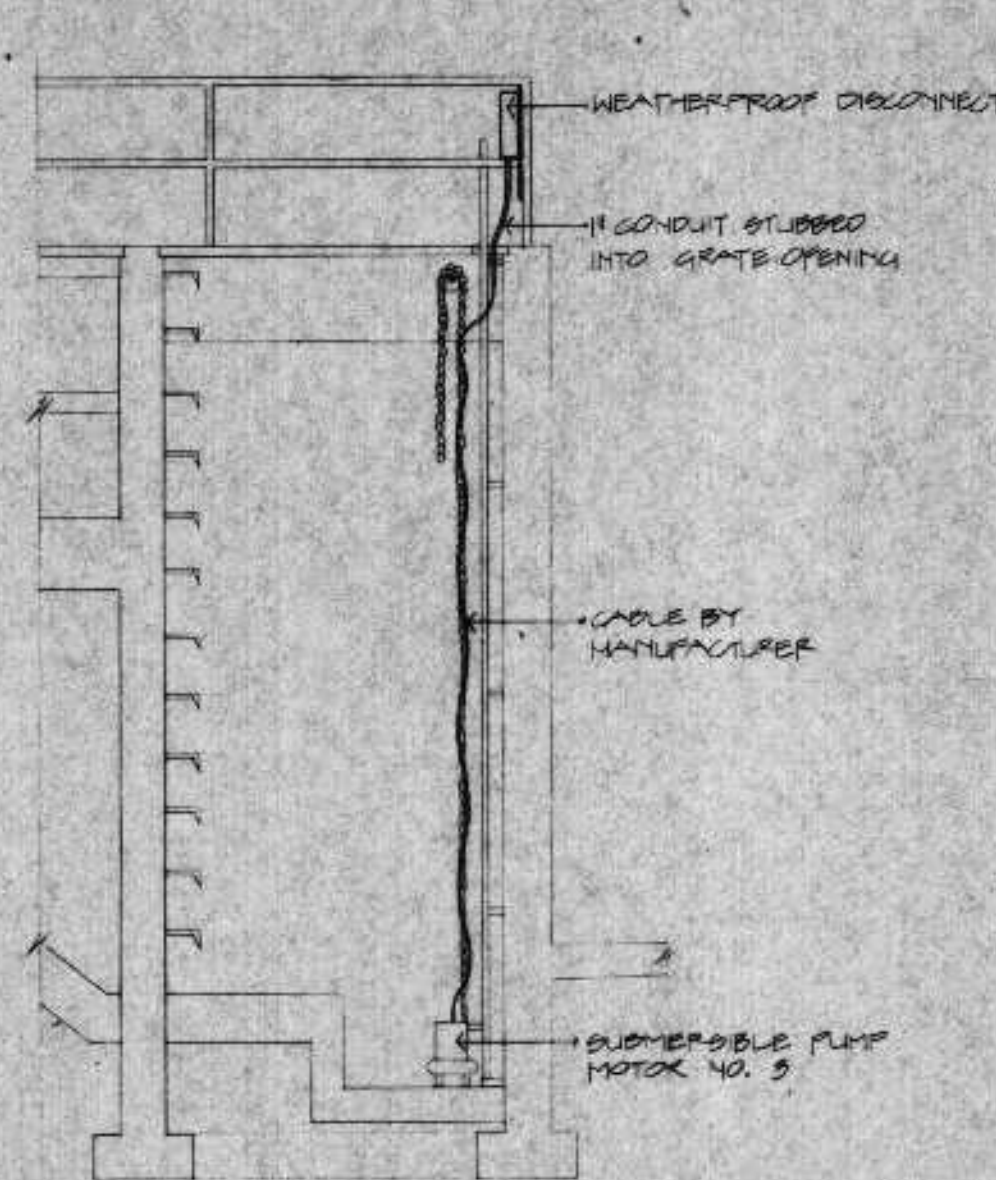
3/8" C. MT. TO DCC
DCC 10, 11

1/2" PLASTIC TUBE DN TO
COMPRESSION BELL IN NET WELL.
SUPPORT TUBE EVERY 4'-0".
DOWN CONDUIT DIRECTLY TO COMP. BELL.
NET WELL

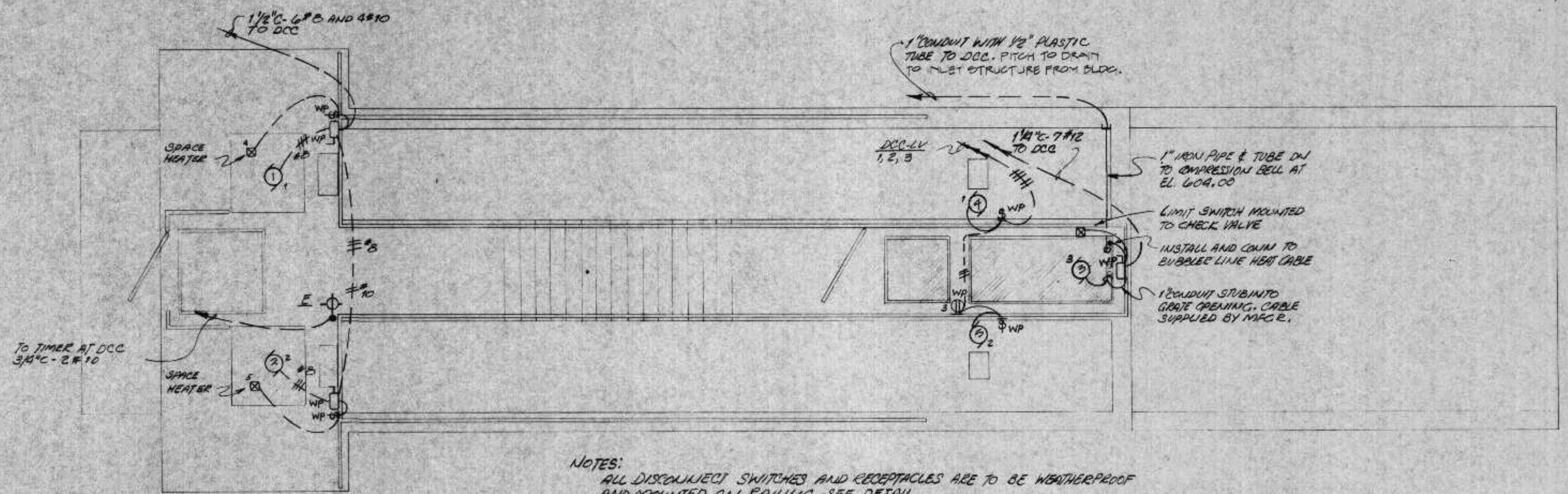
- NOTES**
- ① 1" C. 12" M. THIN TO SUPERVISORY CONTROL CENTER
 - ② ALL VALVES ARE AIR OPERATED WITH ELECTRIC SOLENOIDS AND OPEN - CLOSED POSITION SWITCHES. THIS REQUIRES THREE CONDUIT PER VALVE. CONNECTION TO BE MADE WITH SEALTIGHT.
 - ③ - AIR OPERATED VALVE WITH ELECTRIC SOLENOID
 - IN - INFLUENT VALVE
 - DV - DRAIN VALVE
 - PR - PRESSURIZATION SYSTEM VALVE
 - ④ MAKE CONNECTION TO MAGNETROL (FEEDBACK) AND ALARM CONTACTS.



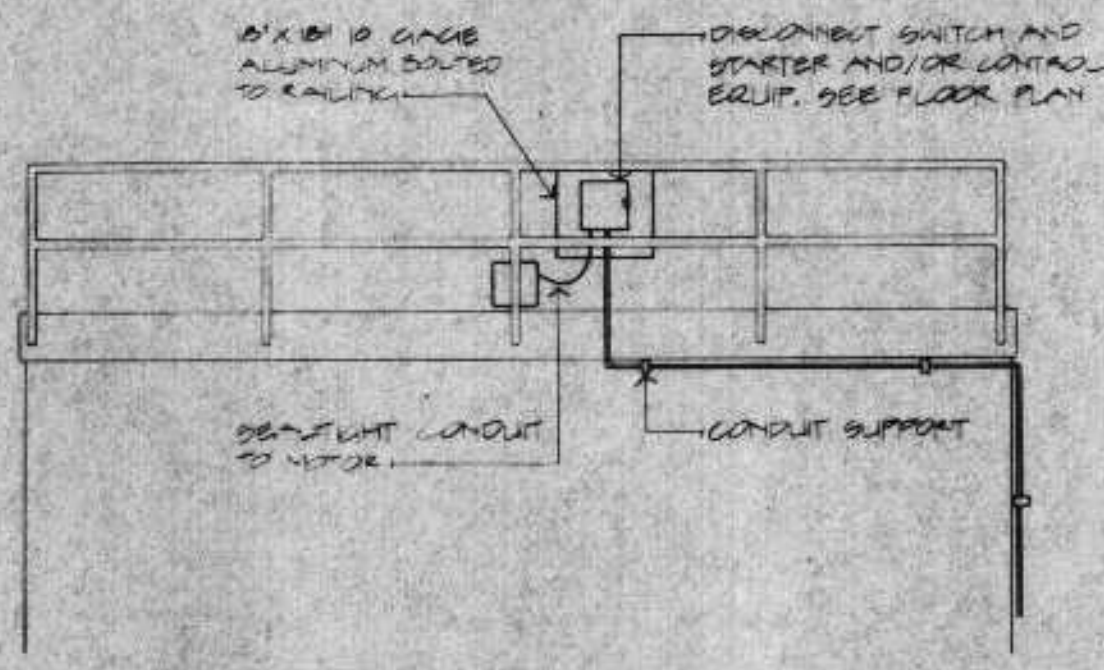
PLANT SUBFLOOR PLAN
SCALE: 1/4" = 1'-0"



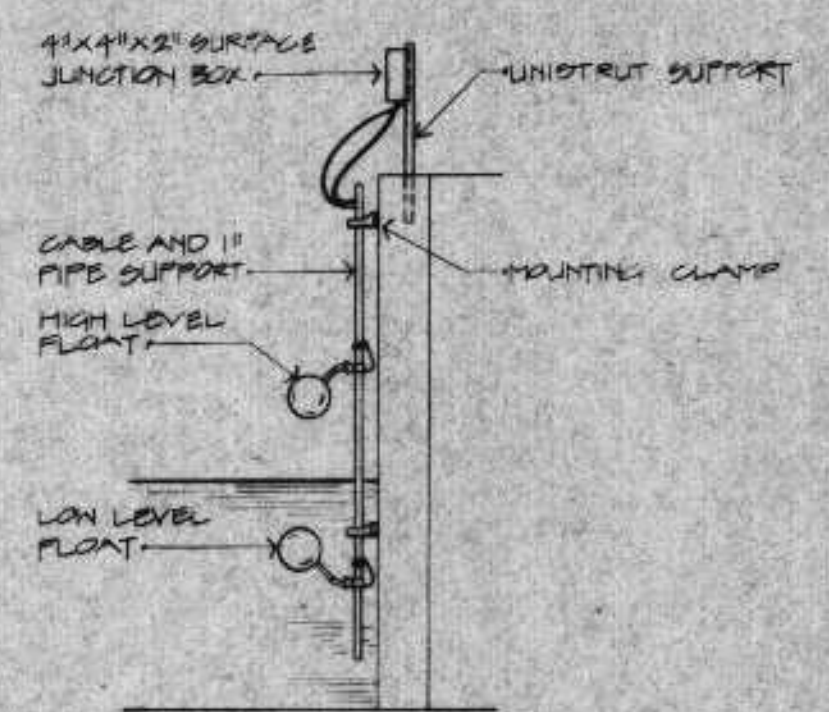
SECTION
1/4" = 1'-0"



NOTES:
ALL DISCONNECT SWITCHES AND RECEPTACLES ARE TO BE WEATHERPROOF AND MOUNTED ON RAILING. SEE DETAIL.

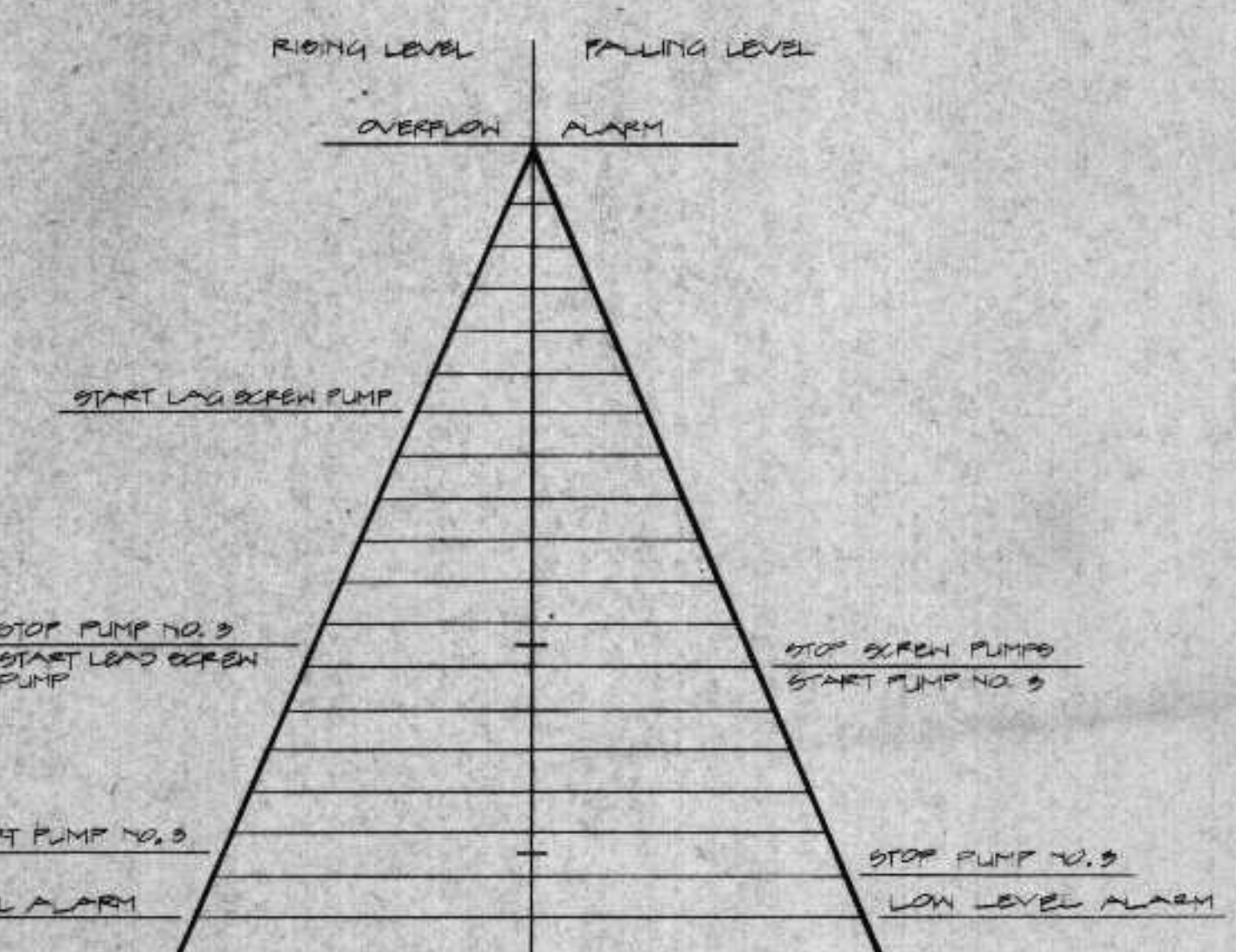


TYPICAL RAILING MOUNTED DEVICE DETAIL
N.T.S.

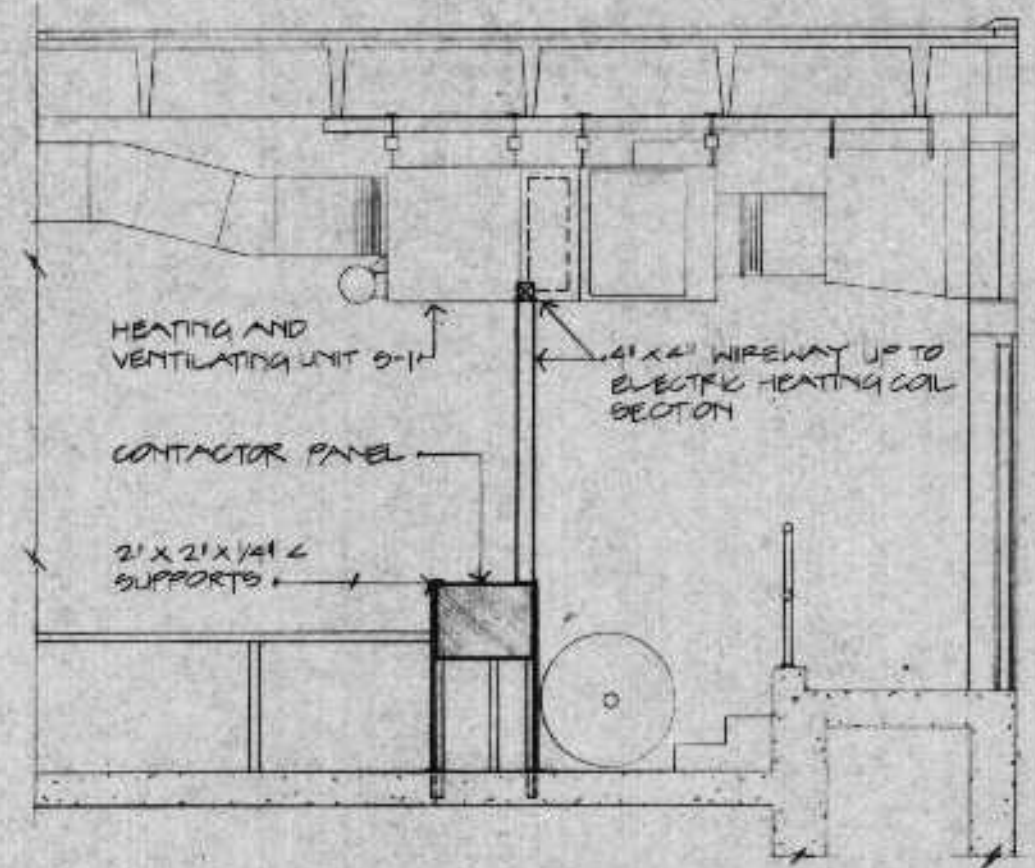


FLOAT MOUNTING DETAIL
N.T.S.

INLET STRUCTURE PLAN SCALE: 1/4" = 1'-0"

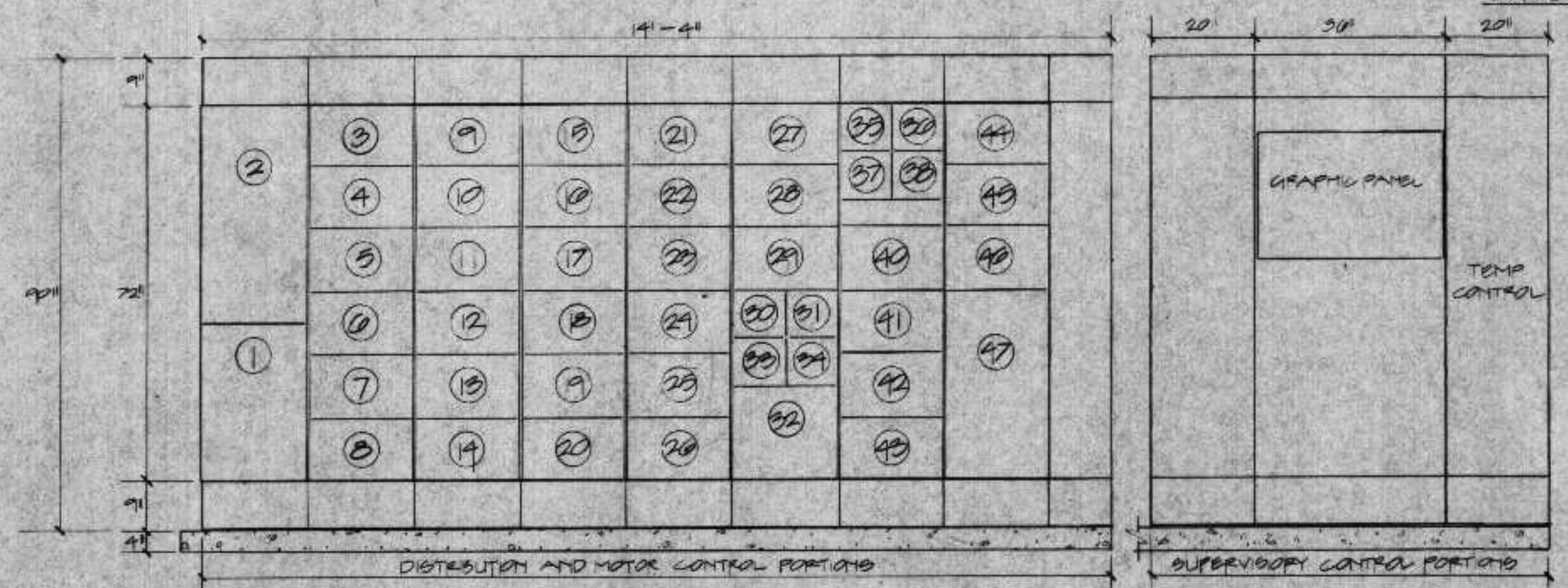


WASTE WATER PUMP OPERATION

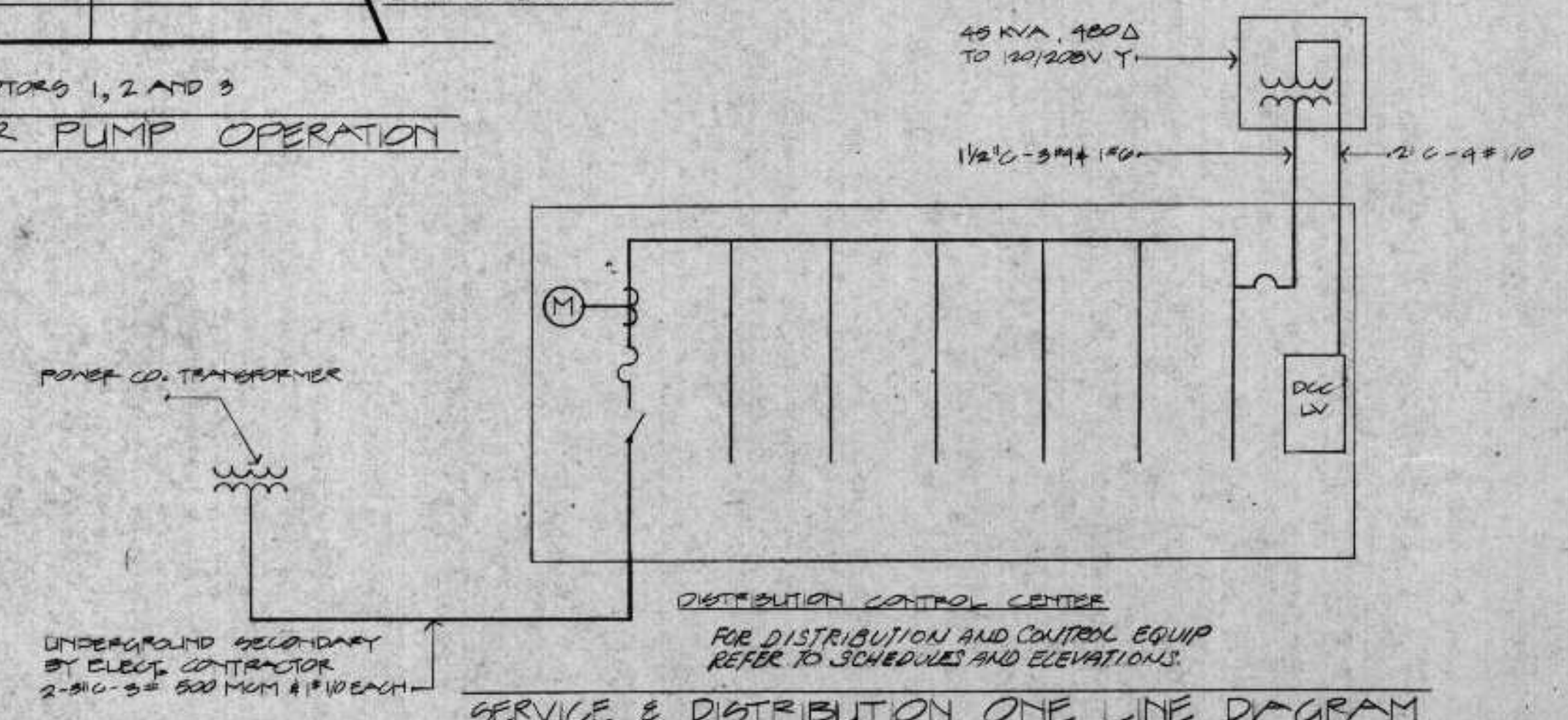


DETAIL OF CONNECTION TO HTG. & VENT. UNIT
SCALE: 1/4" = 1'-0"

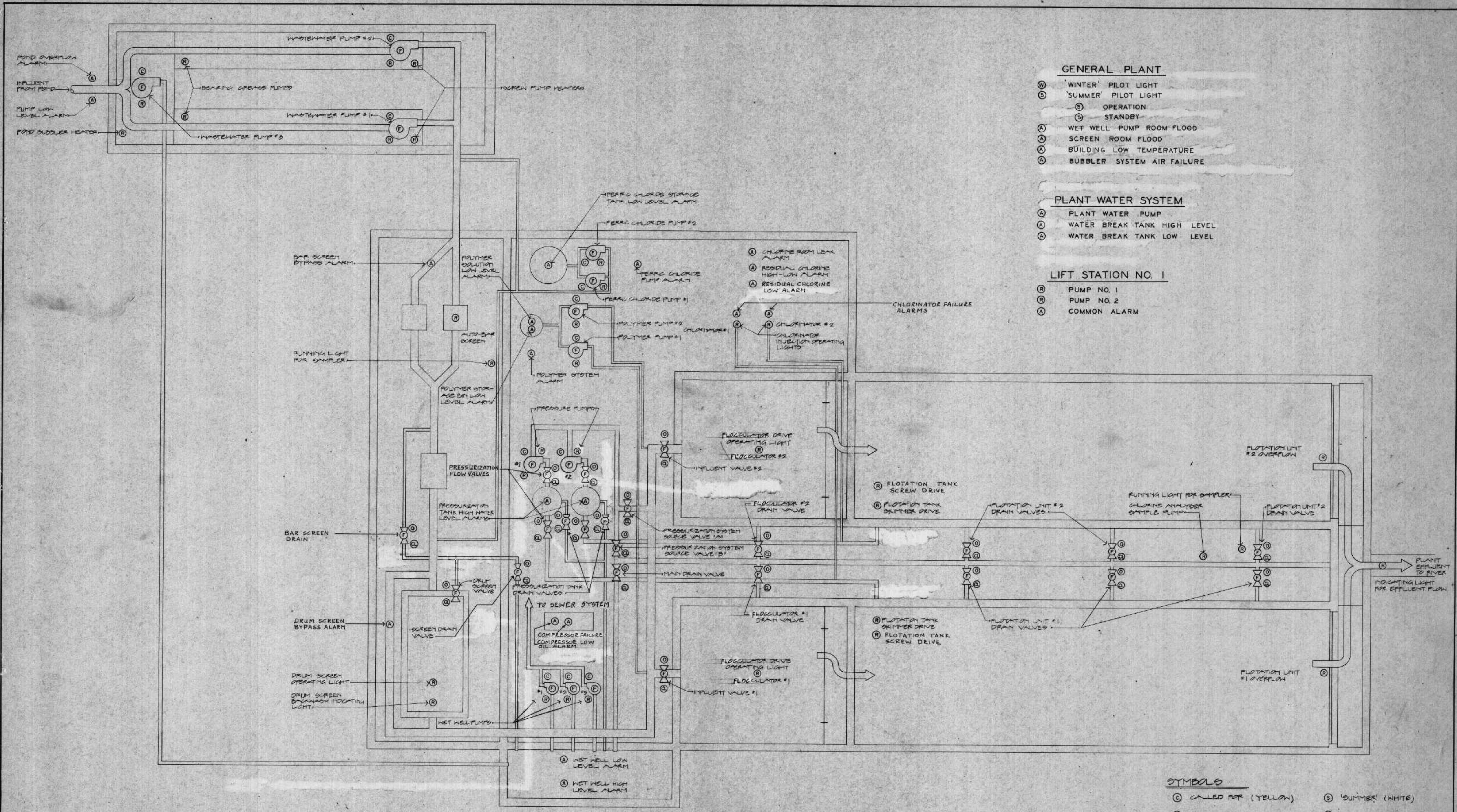
- NOTES:
- REFER TO UNIT NUMBER IN DISTRIBUTION CONTROL CENTER SCHEDULE FOR EQUIPMENT ITEM NOS. C-RELEV.
 - ARRANGEMENT SHOWN IS TYPICAL AND MAY VARY IN LOCATION AND DIMENSIONS AS REQUIRED BY MFG. WITH ENGINEER APPROVAL. IF MANUFACTURER DETERMINES THAT ADDITIONAL SUBWAYS ARE REQUIRED TO HOUSE EQUIPMENT SPECIFIED THE MANUFACTURER SHALL PROVIDE THOSE REQUIRED CLOUDS.



ELEVATION OF DISTRIBUTION AND CONTROL CENTER
SCALE: 1/2" = 1'-0"



SERVICE & DISTRIBUTION ONE LINE DIAGRAM



- GENERAL PLANT**
- (W) 'WINTER' PILOT LIGHT
 - (S) 'SUMMER' PILOT LIGHT
 - (O) OPERATION
 - (S) STANDBY
 - (A) WET WELL PUMP ROOM FLOOD
 - (A) SCREEN ROOM FLOOD
 - (A) BUILDING LOW TEMPERATURE
 - (A) BUBBLER SYSTEM AIR FAILURE

- PLANT WATER SYSTEM**
- (A) PLANT WATER PUMP
 - (A) WATER BREAK TANK HIGH LEVEL
 - (A) WATER BREAK TANK LOW LEVEL

- LIFT STATION NO. 1**
- (B) PUMP NO. 1
 - (B) PUMP NO. 2
 - (A) COMMON ALARM

- SYMBOLS**
- (C) CALLED FOR (YELLOW)
 - (S) 'SUMMER' (WHITE)
 - (B) RUN (GREEN)
 - (W) 'WINTER' (WHITE)
 - (F) FAIL (RED)
 - (O) OPEN (GREEN)
 - (C) CLOSED (BLUE)
 - (A) ALARM (RED)

CSO PLANT GRAPHIC PANEL
(MAIN PLANT GRAPHIC PANEL SIMILAR)

NOTE:
SEE SPECIFICATIONS FOR CONTROL DEVICES &
INDICATORS REQUIRED ON MAIN PLANT GRAPHIC
PANEL

ERICKSEN ELLISON
AND ASSOCIATES INC.
CONSULTING ENGINEERS
SAINT PAUL, MINNESOTA

DATE: FEB. 11, 1978
DESIGNER: [Signature]
CHECKER: [Signature]

SURVEY	DATE
DESIGN	DATE
CHECK	DATE

DONESTROO, ROSENE, ANDERLIK & ASSOC., INC.
ST. PAUL, MINNESOTA

SUPERIOR, WISCONSIN
DATE: FEB. 11, 1978
CDMM 6888E

SOUTH SUPERIOR CSO PLANT
GRAPHIC PANEL
76/78

DISTRIBUTION CONTROL CENTER SCHEDULE											
BUS & TYPE	MAIN LUGS		CIRCUIT BREAKER & STARTERS								
	SIZE	LOCA.	MTR. NO.	UNIT #	FRAME SIZE	TRIP RATING	POLES	STARTER SIZE	INT. AMPS		
277/480V, 3Ø 4W	800A	BOTTOM	MAIN SWITCH	(1)	800	700 (FUSES)	3	-	30,000		
			METER	(2)							
			1	(3)	100	50	3	2			
			2	(4)	100	50	3	2			
			3	(5)	50	15	3	1			
			6	(6)	50	15	3	0			
			7	(7)	50	15	3	0			
			8	(8)	50	15	3	0			
			9	(9)	50	15	3	0			
			10	(10)	50	15	3	0			
			11	(11)	50	15	3	0			
			12	(12)	50	15	3	0			
			13	(13)	50	15	3	0			
			14	(14)	100	70	3	2			
			15	(15)	100	70	3	2			
			20	(16)	50	15	3	0			
			21	(17)	50	40	3	2			
			22	(18)	50	15	3	1			
			23	(19)	50	15	3	1			
			26	(20)	50	15	3	1			
			27	(21)	50	15	3	1			
			28	(22)	50	40	3	2			
			31	(23)	50	15	3	0			
			32	(24)	50	15	3	0			
			33	(25)	50	15	3	0			
			34	(26)	50	15	3	0			
			35	(27)	50	15	3	0			
			36	(28)	50	15	3	0			
			38	(29)	50	15	3	1			
			1	(30)	50	20	2	-			
			2	(31)	50	20	2	-			
			40	(32)	400	300	3	-			
			43	(33)	50	40	3	-			
			44	(34)	50	20	3	-			
			41	(35)	50	20	3	-			
			46	(36)	50	40	3	-			
			45KVA TFR	(37)	100	70	3	-			
			SPACE	(38)							
			SPACE	(39)							
			4	(40)	50	20	1	0	15,000		
			5	(41)	50	20	1	0			
			16	(42)	50	20	1	0			
			17	(43)	40	20	1	0			
			18	(44)	50	20	1	0			
			19	(45)	50	20	1	0			
			39	(46)	50	20	1	0			
			DCC-LV PANEL	(47)	REFER TO PANELBOARD SCHEDULE						
				(48)	SUPERVISORY CONTROL CENTER						

SCHEDULE - LIGHTING FIXTURE TYPES										
TYPE LETTER	FIXTURE TYPE	FLOOR	INCANDESCENT	OTHER	MOUNTING	LAMPS	CONTROL MEDIA (LENS, LOUVER ETC)	MANUFACTURER'S CATALOG NUMBER		
A	DRUM		X		SURFACE	2-75W	PRISMATIC	SIM-KAR #V-7150C-V701A, HUBBELL # 80X F1100, OR EQUAL		
B	2x2	X			RECESSED	2-40W U	PRISMATIC	GLOBE ILLUMINATION DAYBRIGHT #622A-WF457-2-LX # RTG-2502-2U-00, OR EQUAL		
C	STAIR		X		WALL	1-100W	PRISMATIC	SIM-KAR #V-5000A-V501A, KENALL # 3990, OR EQUAL		
D	BRACKET		X		WALL	1-75W DELUXE WHITE MERCURY	PRISMATIC	STONCO #532-175MM-120V BENJAMIN # OWW-175-120, OR EQUAL		
E	POST LGT		X		10 FOOT STEEL POLE	1-175W DELUXE WHITE MERCURY	OPAL LEXAN GLOBE	STONCO BOLT18-175NP-120V-S100, McGraw Edison # GS 1023-PA H100, OR EQUAL		

PANELBOARD SCHEDULE											
PANEL NO.	BUS AND TYPE	MAIN LUGS		CIRCUIT BREAKERS						INT. AMPS RMS. SYM	MOUNTING
		SIZE	LOCA.	QUAN.	FRAME SIZE	TRIP RATING	POLES	USE			
DCC-LV	120/208V, 3Ø 4W	150	TOP	1	225	125	3	MAIN		18,000	IN DCC
				23	50	20	1	LTC & RECEPT CCTS			
				4	50	20	1	MTR #4, 5, 18, 19			
				4	50	20	1	MTR #16, 17, 24, 25			
				2	50	20	1	MTR #37, 39			
				7	50	20	1	SPARES			
				1	50	20	2	WATER HTR			

- GENERAL NOTES**
- CIRCUIT NUMBERS SHOWN ON THESE DRAWINGS SHALL NOT NECESSARILY CORRESPOND TO ACTUAL CIRCUIT BREAKER NUMBERS.
 - VERIFY LOCATION OF ALL MOTORS WITH MECHANICAL PLANS BEFORE ROUGH-IN.
 - ADJUST MOUNTING HEIGHTS OF ALL OUTLETS IF REQUIRED SO AS NOT TO INTERFERE WITH OTHER EQUIPMENT. VERIFY CHANGES WITH ENGINEER.
 - INTERRUPTING RATINGS NOTED IN SCHEDULES SHALL APPLY TO ENTIRE PANELBOARD AND/OR SWITCHBOARD. ALL EQUIPMENT COMPRISING PANELS AND/OR SWITCHBOARDS SHALL EITHER BE RATED FOR SHORT CIRCUIT CURRENT NOTED OR BE SUITABLE PROTECTED FOR THE AVAILABLE SHORT CIRCUIT CURRENT.
 - LETTER THUS: "A" - INDICATES TYPE OF LIGHTING FIXTURES. REFER TO LIGHTING FIXTURE TYPES IN SPECIFICATIONS.

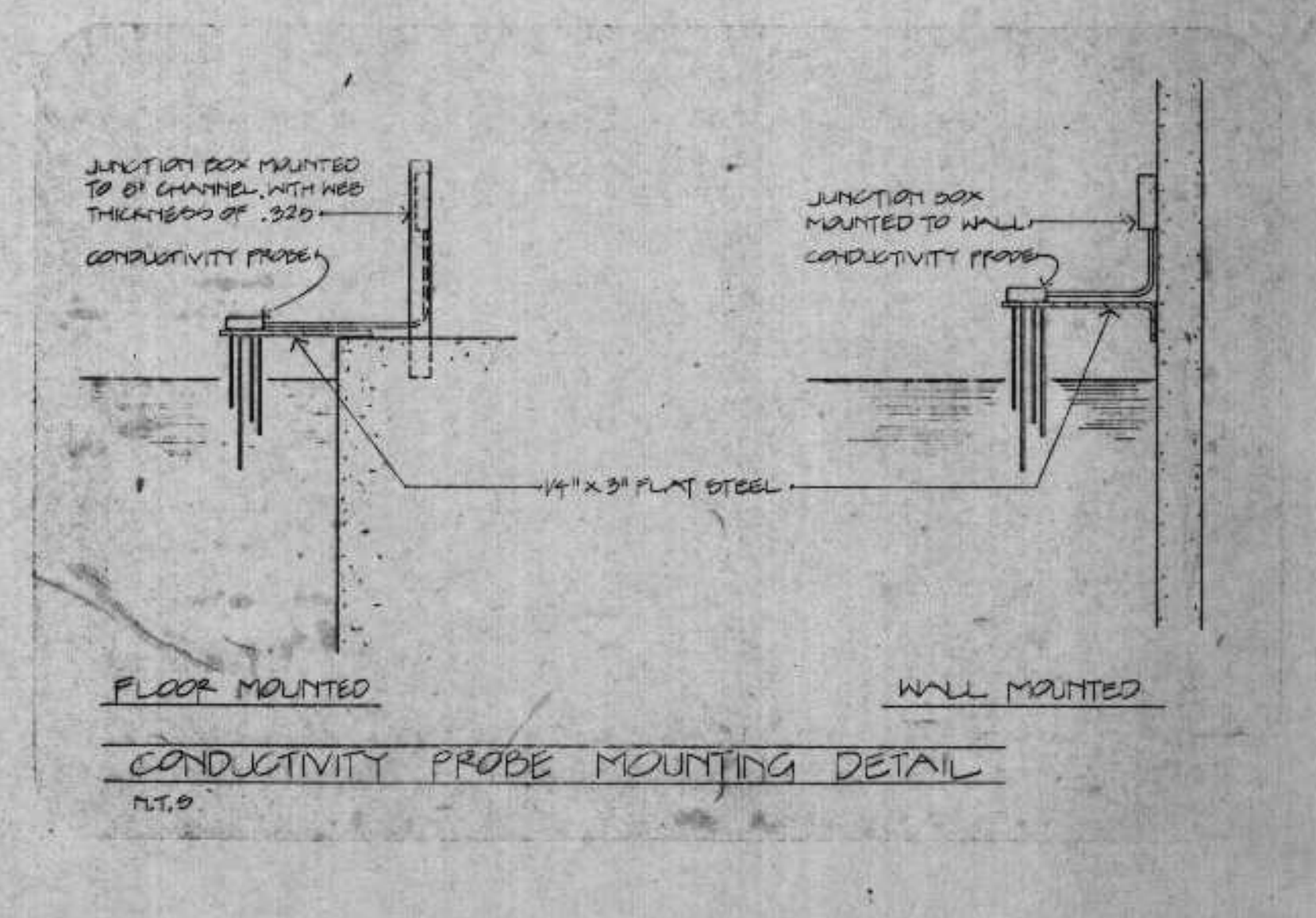
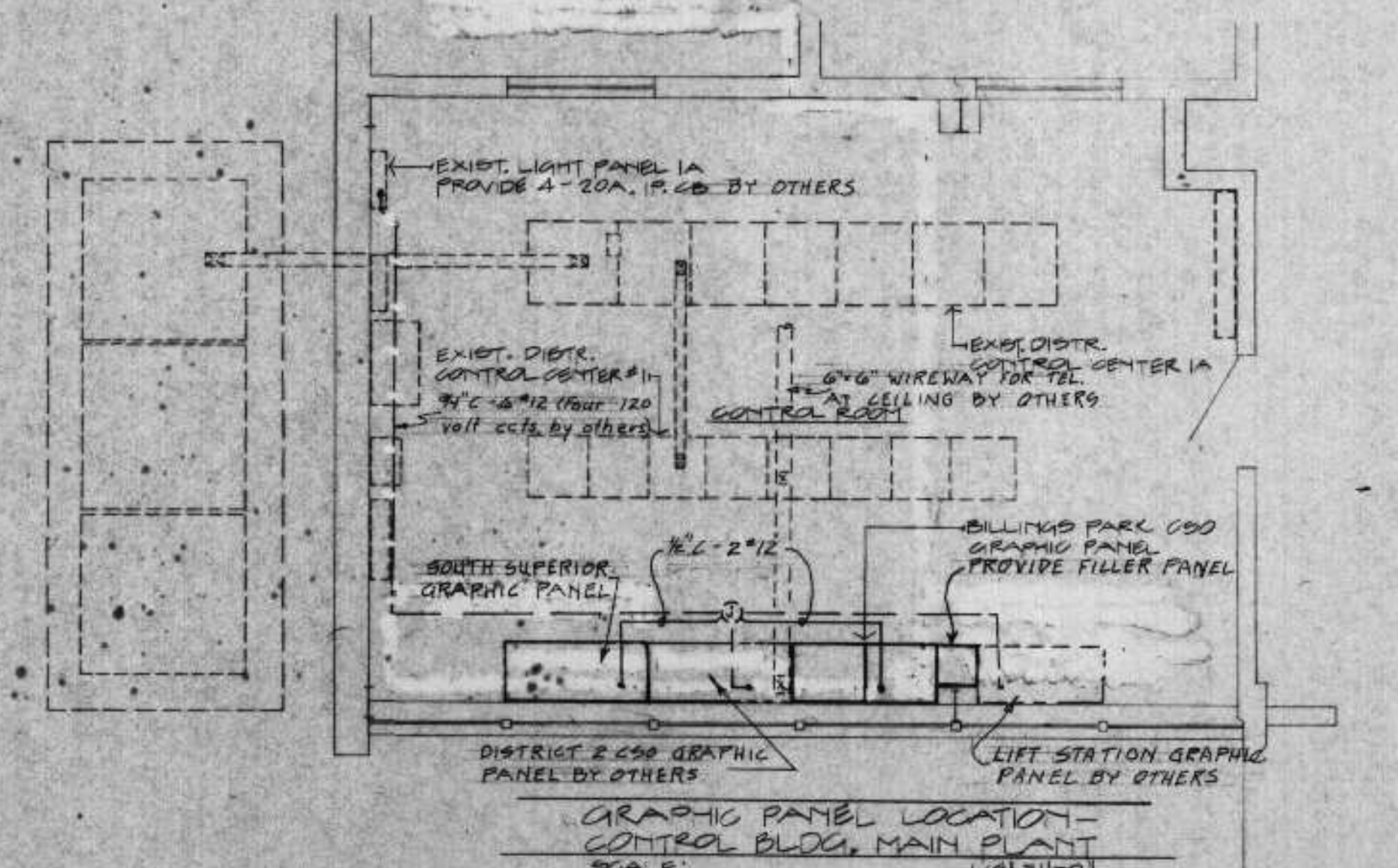
ELECTRICAL SYMBOLS

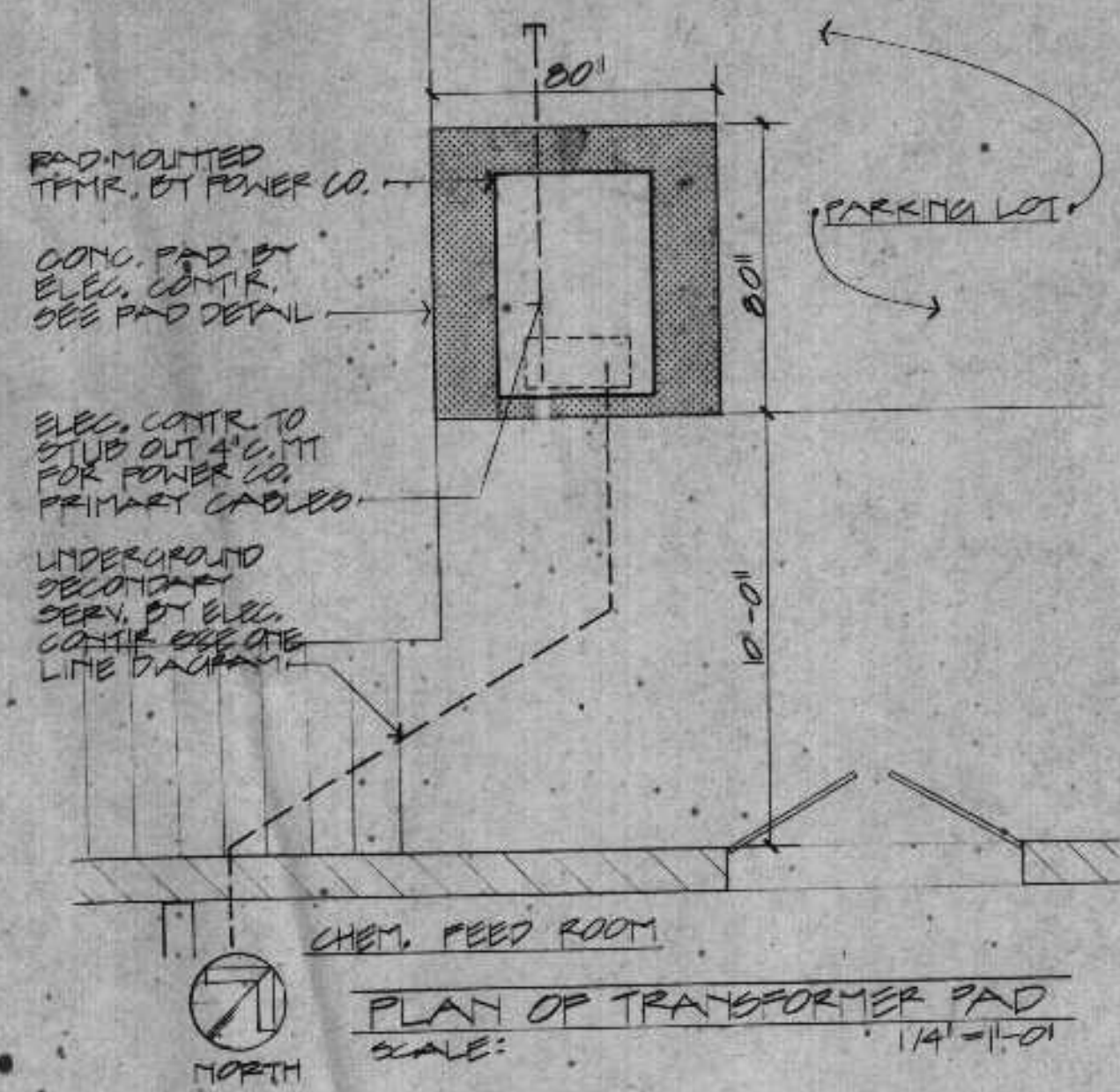
EEA E-200

HOME RUN
 PANEL NUMBER
 CIRCUIT NUMBER
 INDICATES WIRE SIZE IF NOT NOTED #12 AWG CONDUCTORS SHALL BE USED

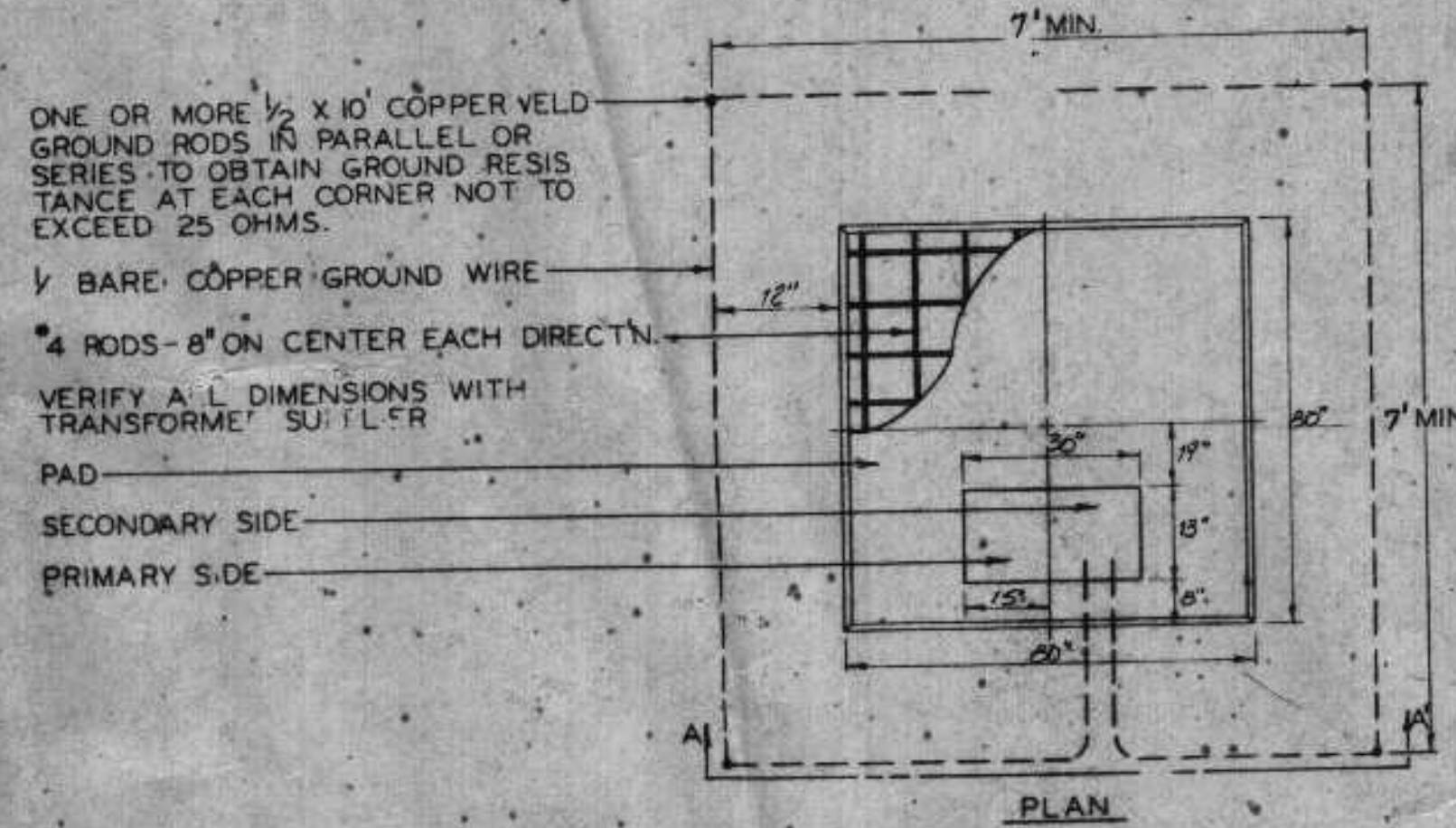
NOTE:
 ANY CIRCUITS WITHOUT FURTHER DESIGNATION IS A TWO WIRE CIRCUIT. A GREATER NUMBER OF WIRES ARE INDICATED BY CROSS MARKS
 ANY SYMBOL MAY BE FURTHER DESIGNATED BY ONE OR MORE OF THE FOLLOWING SUBSCRIPTS:
 PS OUTLET WITH PULL SWITCH
 WP WEATHERPROOF OUTLET
 X EXISTING OUTLET (DOES NOT APPLY TO EQUIP. OR DEVICE)
 XC EXISTING OUTLET TO BE REMOVED OR COVERED WITH A BLANK COVER (DOES NOT APPLY TO EQUIP. OR DEVICE)
 A LETTER INDICATES FIXTURE TYPE
 2 NUMBER INDICATES CIRCUIT NUMBER

CEILING OUTLET
 OUTLET FOR, OR CONNECTION TO RECESSED LIGHTING FIXTURE
 WALL OUTLET
 OUTLET MOUNTED BELOW, OR ON MECHANICAL DUCT WORK
 EXIT LIGHT
 DUPLEX CONVENIENCE RECEPT NEMA 5-15R
 COMBINATION 20A, 120V-208V RECEPT.
 GROUND NEMA 5-20R+6-20R
 DUPLEX CONVENIENCE RECEPT. UPPER HALF SWITCHED NEMA 5-15R
 RANGE RECEPT. 50A, 3P+G, 4W, NEMA 14-50R
 DUPLEX CONVENIENCE RECEPT. NEMA 5-20R
 BRACKET INDICATES ALL DEVICES ON COMMON PLATE. MIN. OF ONE GANG PER DEVICE
 FLOOR OUTLET
 F- FLUSH DEVICE
 P- PEDESTAL MTD. DEVICE
 C- CONDUIT CONNECTED DEVICE
 S- STANDPIPE
 TERMINAL CABINET
 ANNUNCIATOR
 BRANCH CIRCUIT PANEL (250V OR LESS)
 BRANCH CIRCUIT PANEL (277V/480)
 MAGNETIC MOTOR STARTER
 DISCONNECT SWITCH
 DISCONNECT SWITCH & MAGNETIC MOTOR STARTER IN SAME LOCATION
 MANUAL MOTOR STARTING SWITCH
 MANUAL MOTOR CONTROL SWITCH
 MANUAL MOTOR CONTROL SWITCH WITH PILOT
 THERMOSTAT
 AUXILIARY EQUIPMENT (AS NOTED)
 JUNCTION BOX
 UNDERFLOOR DUCT
 LOW POTENTIAL OUTLET
 HIGH POTENTIAL OUTLET
 AUXILIARY SYSTEM CIRCUITS
 Δ INDICATES SHIELDED CABLE (SEE SPECS.)
 C INDICATES CABLE ONLY (CONDUIT NOT REQ'D.)
 BRANCH CIRCUIT (CEILING OR WALL)
 BRANCH CIRCUIT (FLOOR)
 EXISTING CONDUIT
 EXISTING CONDUIT, CONDUCTORS REMOVED
 EXISTING CONDUIT
 NEW CONDUCTORS
 PLUGSTRIP - OUTLET SPACING AS SHOWN OR SPECIFIED
 INDICATES NOTE ON PLAN
 EQUIPMENT OR APPLIANCE (NO. REFERS TO SCH.)
 MOTOR (NO. REFERS TO SCHEDULE)
 INTERCOMMUNICATION STATION OUTLET
 AIR OPERATED VALVE WITH ELECTRIC SOLAROID
 NURSES CALL STATION
 LETTER INDICATES TYPE OF STATION
 NURSES CALL CORRIDOR DOME LIGHT-TWO CCT.
 PROJECTOR OUTLET
 TELEVISION OUTLET
 PRESSURIZATION SYSTEM VALVE
 OUTSIDE AIR
 RETURN AIR
 DRAIN VALVE





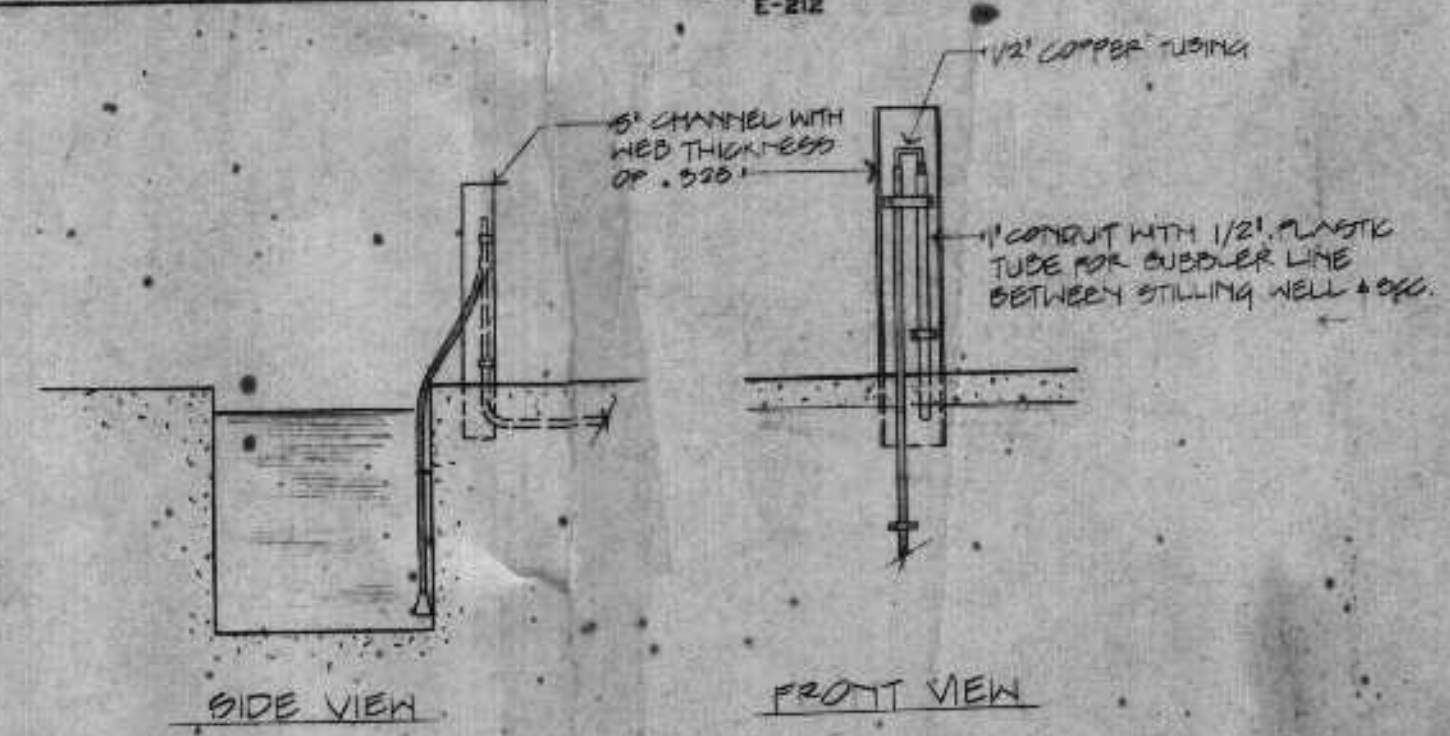
PLAN OF TRANSFORMER PAD
SCALE: 1/4" = 1'-0"



GROUND WIRE TO EXTEND 5' ABOVE GRADE
GRADE
CONDUIT, 24" BELOW GRADE, TO BE STUBBED-UP 1/2" ABOVE PAD

SECTION A-A

TRANSFORMER PAD DETAIL
E-212



BUBBLER LINE MOUNTING DETAIL
N.T.S.

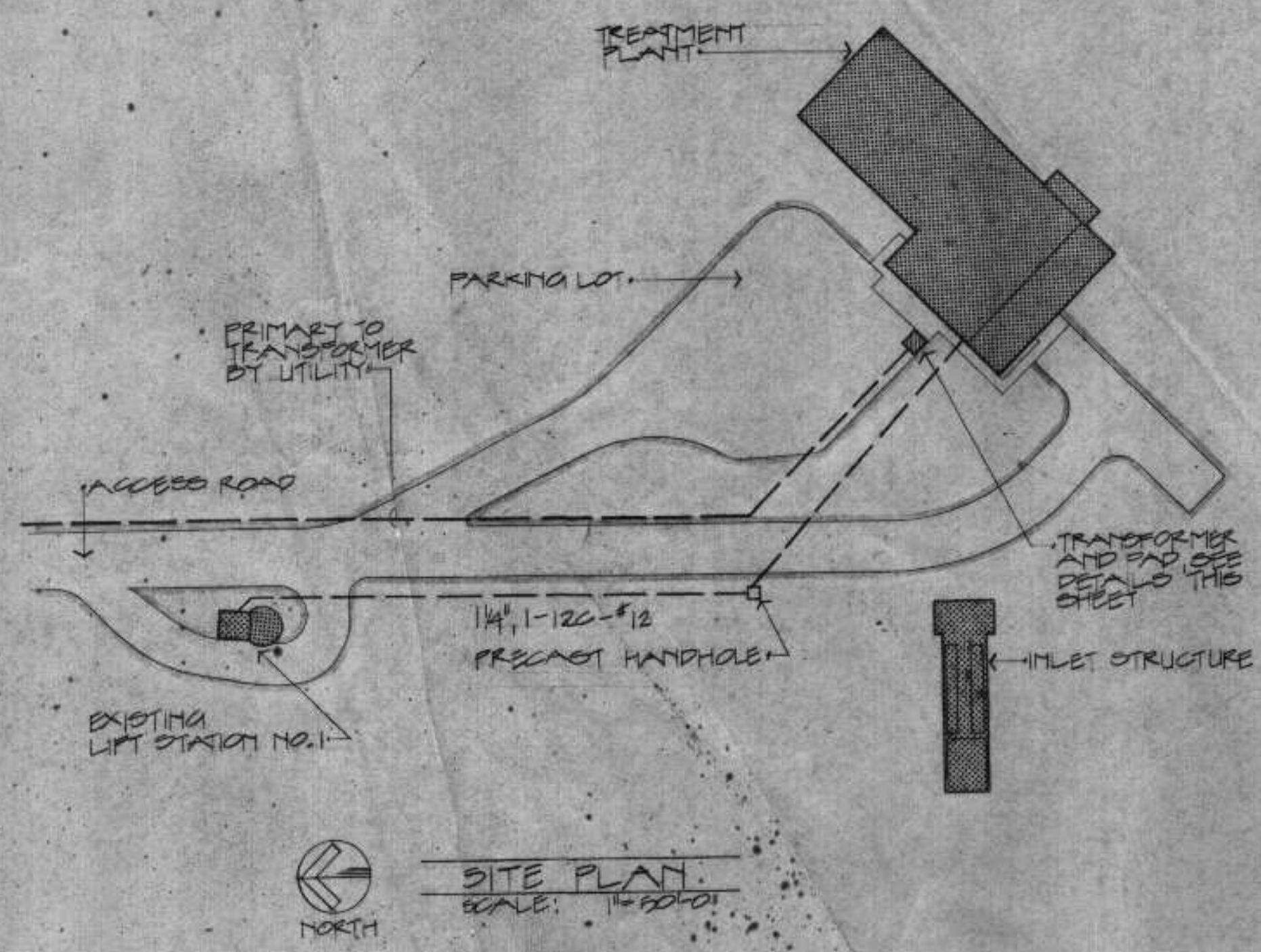
37	EXHAUST FAN E-7	1/4	120-1	WET WELL	MS#P	DCC	NONE	-	TOGGLE SW.
38	HV UNIT S-1	5	460-3	OPERATING LEVEL	SEE SPEC STAT	OPERATING LEVEL	1	DCC	30A.3P.NF
39	HV UNIT S-2	1/3	120-1	CONTROL RM	SEE SPEC (2)	CONTROL RM 0	DCC	-	TOGGLE SW.
40	HV UNIT S-2 COIL	200KW	460-3	OPERATING LEVEL	10 STAGE STEP CONTROLLER	SCC	-	-	-
41	HV UNIT S-2 COIL	6KW	460-3	CONTROL RM	3 STAGE STEP CONTROLLER	SCC	-	-	-
42	MOTORIZED DAMPER	-	120-1	CHLORINE RM	INTERLOCK WITH MTR #35	DCC	NONE	-	TOGGLE SW.
43	ELECT. UNIT HTR.	20KW	460-3	CHLORINE RM	REMOTE STAT.	NEAR UNIT	NONE	-	-
44	ELECT. UNIT HTR.	7.5KW	460-3	OPERATING LEVEL	STAT.	NEAR UNIT	NONE	-	-
45	MOTORIZED DAMPER	-	120-1	OPERATING LEVEL	INTERLOCK WITH MTR #36	DCC	NONE	-	TOGGLE SW.
46	ELECT. UNIT HTR.	20KW	460-3	OPERATING LEVEL	STAT. REMOTE	NEAR UNIT	NONE	-	-
47	ELECT. WATER HTR.	1500KW	208-1	OPERATING LEVEL	BY MFR.	AT UNIT	-	-	-

MOTOR NOTES:

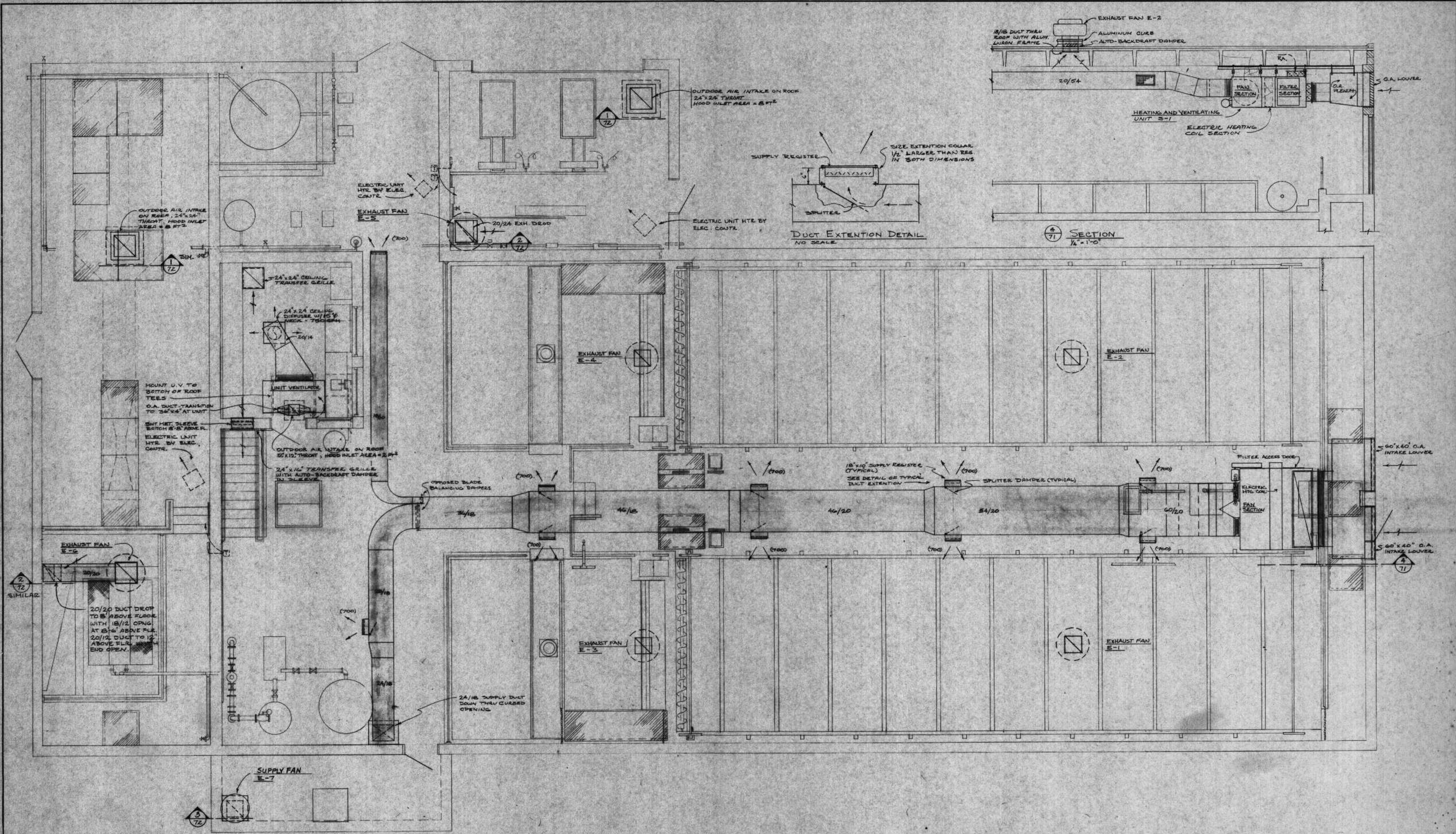
1. PROVIDE A WEATHERPROOF START STOP STATION AT OUTSIDE ENTRANCE TO CHLORINE ROOM TO BY-PASS TIMER AND START EXHAUST FAN. FURNISH, INSTALL AND CONNECT A TIMER INTERMATIC #C8865, TORK, OR EQUAL TO AUTOMATICALLY CONTROL EXHAUST FAN. EXHAUST FAN SHALL BE INTERLOCKED WITH MOTORIZED LOUVER.
2. ELECTRICAL CONTRACTOR SHALL MAKE CONNECTION TO OUTSIDE AIR AND RETURN AIR DAMPERS, END SWITCH, AIR FLOW SWITCH, HI AND LOW LIMITS, THREE STAGE STEP CONTROLLER AND STAT.

MOTOR, APPLIANCE AND EQUIPMENT SCHEDULE

NUMBER	EQUIPMENT	SIZE	VOLT & #	LOCA.	CONTROL	CONT. LOCA.	STARTER SIZE	STARTER LOCA.	DISC SIZE & TYPE
1	WASTEWATER PUMP NO 1	20	460-3	INLET STRUCTURE	SEE SPECS	DCC	2	DCC	60A.3P.NF(WP)
2	WASTEWATER PUMP NO 2	20	460-3	INLET STRUCTURE	SEE SPECS	DCC	2	DCC	60A.3P.NF(WP)
3	WASTEWATER PUMP NO 3	3	460-3	INLET STRUCTURE	SEE SPECS	DCC	1	DCC	30A.3P.NF(WP)
4	GREASE PUMP NO 1	1/3	120-1	INLET STRUCTURE	SEE SPECS	DCC	0	DCC	TOGGLE SW(WP)
5	GREASE PUMP NO 2	1/3	120-1	INLET STRUCTURE	SEE SPECS	DCC	0	DCC	TOGGLE SW(WP)
6	BAR SCREEN RAKE	1	460-3	SCREEN ROOM	SEE SPECS	DCC	0	DCC	30A.3P.NF(WP)
7	DRUM SCREEN	2	460-3	SCREEN ROOM	SEE SPECS	DCC	0	DCC	30A.3P.NF(WP)
8	FLOCULATOR NO 1 DRIVE	2	460-3	OPERATING LEVEL	SEE SPECS	DCC	0	DCC	30A.3P.NF
9	SKIMMER NO 1 DRIVE	2	460-3	OPERATING LEVEL	SEE SPECS	DCC	0	DCC	30A.3P.NF
10	SCREW NO 1 DRIVE	1	460-3	OPERATING LEVEL	SEE SPECS	DCC	0	DCC	30A.3P.NF
11	FLOCULATOR NO 2 DRIVE	2	460-3	OPERATING LEVEL	SEE SPECS	DCC	0	DCC	30A.3P.NF
12	SKIMMER NO 2 DRIVE	2	460-3	OPERATING LEVEL	SEE SPECS	DCC	0	DCC	30A.3P.NF
13	SCREW NO 2 DRIVE	1	460-3	OPERATING LEVEL	SEE SPECS	DCC	0	DCC	30A.3P.NF
14	PRESSURIZATION PUMP NO 1	25	460-3	PUMP ROOM	SEE SPECS	DCC	2	DCC	30A.3P.NF
15	PRESSURIZATION PUMP NO 2	25	460-3	PUMP ROOM	SEE SPECS	DCC	2	DCC	30A.3P.NF
16	FERRIC CHLORIDE PUMP NO 1	1/4	120-1	CHEMICAL ROOM	SEE SPECS	DCC	0	DCC	TOGGLE SW.
17	FERRIC CHLORIDE PUMP NO 2	1/4	120-1	CHEMICAL ROOM	SEE SPECS	DCC	0	DCC	TOGGLE SW.
18	POLYMER PUMP NO 1	1/4	120-1	CHEMICAL ROOM	SEE SPECS	DCC	0	DCC	TOGGLE SW.
19	POLYMER PUMP NO 2	1/4	120-1	CHEMICAL ROOM	SEE SPECS	DCC	0	DCC	TOGGLE SW.
20	CHLORINE ANALYSER PUMP	3/4	460-3	OPERATING LEVEL	SEE SPECS	DCC	0	DCC	30A.3P.NF
21	POTABLE WATER PUMP	15	460-3	OPERATING LEVEL	SEE SPECS	DCC	2	DCC	60A.3P.NF
22	AIR COMPRESSOR NO. 1	7/8	460-3	PUMP ROOM	SEE SPECS	ON COMPRESSOR	1	DCC	30A.3P.NF
23	AIR COMPRESSOR NO. 2	7/8	460-3	PUMP ROOM	SEE SPECS	ON COMPRESSOR	1	DCC	30A.3P.NF
24	AIR DRYER	1/5	120-1	PUMP ROOM	PRESS SW. ON DRYER	NONE	-	-	-
25	PUMP PUMP	1/2	120-1	PUMP ROOM	PRESS SW. ON PUMP	NONE	-	-	#15
26	WET WELL PUMP NO. 1	5	460-3	PUMP ROOM	SEE SPECS	DCC	1	DCC	30A.3P.NF
27	WET WELL PUMP NO. 2	5	460-3	PUMP ROOM	SEE SPECS	DCC	1	DCC	30A.3P.NF
28	WET WELL PUMP NO. 3	15	460-3	PUMP ROOM	SEE SPECS	DCC	2	DCC	60A.3P.NF
29	REFRIGERATED SAMPLER	-	120-1	OPERATING LEVEL	SEE SPECS	DCC	0	DCC	-
30	REFRIGERATED SAMPLER	-	120-1	SCREEN RM.	SEE SPECS	DCC	0	DCC	-
31	EXHAUST FAN E-1	1/2	460-3	OPERATING LEVEL	SEE SPECS INTERLOCK W/MTR. 38	DCC	0	DCC	30A.3P.NF
32	EXHAUST FAN E-2	1/2	460-3	OPERATING LEVEL	SEE SPECS INTERLOCK W/MTR. 38	DCC	0	DCC	30A.3P.NF
33	EXHAUST FAN E-3	1/2	460-3	OPERATING LEVEL	SEE SPECS INTERLOCK W/MTR. 38	DCC	0	DCC	30A.3P.NF
34	EXHAUST FAN E-4	1/2	460-3	OPERATING LEVEL	SEE SPECS INTERLOCK W/MTR. 38	DCC	0	DCC	30A.3P.NF
35	CHLORINE ROOM EXHAUST E-5	3/4	460-3	OPERATING LEVEL	SEE SPECS INTERLOCK W/MTR. 38	DCC	0	DCC	30A.3P.NF
36	SCREEN ROOM EXHAUST E-6	1/2	460-3	OPERATING LEVEL	START STOP & P	DCC	0	DCC	30A.3P.NF



SITE PLAN
SCALE: 1/4" = 1'-0"



ERICKSEN ELLISON
AND ASSOCIATES INC.
CONSULTING ENGINEERS
SAINT PAUL MINNESOTA

RECORD COPY OF THIS PLAN IS FILED IN AN
OFFICE OF THE REGISTERED PROFESSIONAL ENGINEER UNDER THE CARE OF
THE STATE OF MINNESOTA
DATE: 11/22/76 BY: E-6113 *McEicklen*

REVISION	
DRAWN	82
DESIGN	82
APPROVED	82

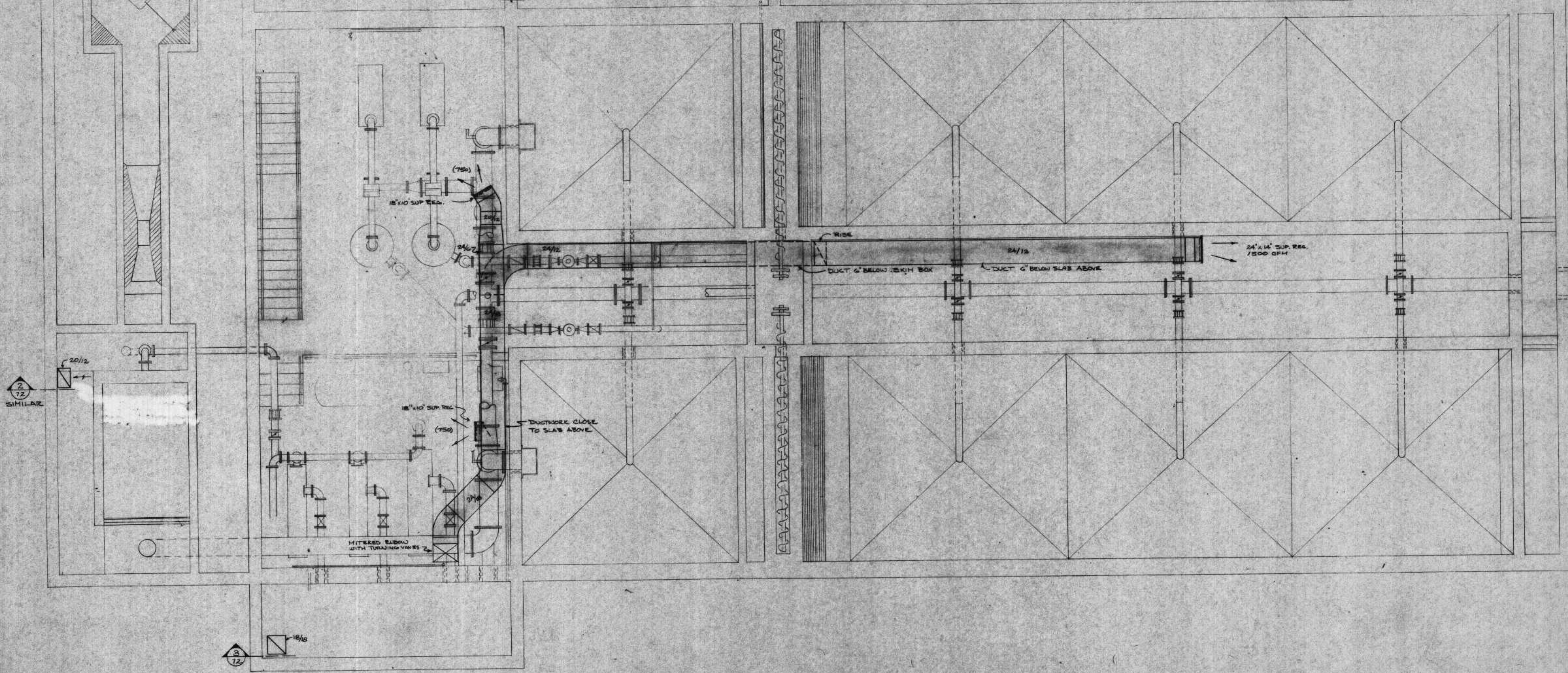
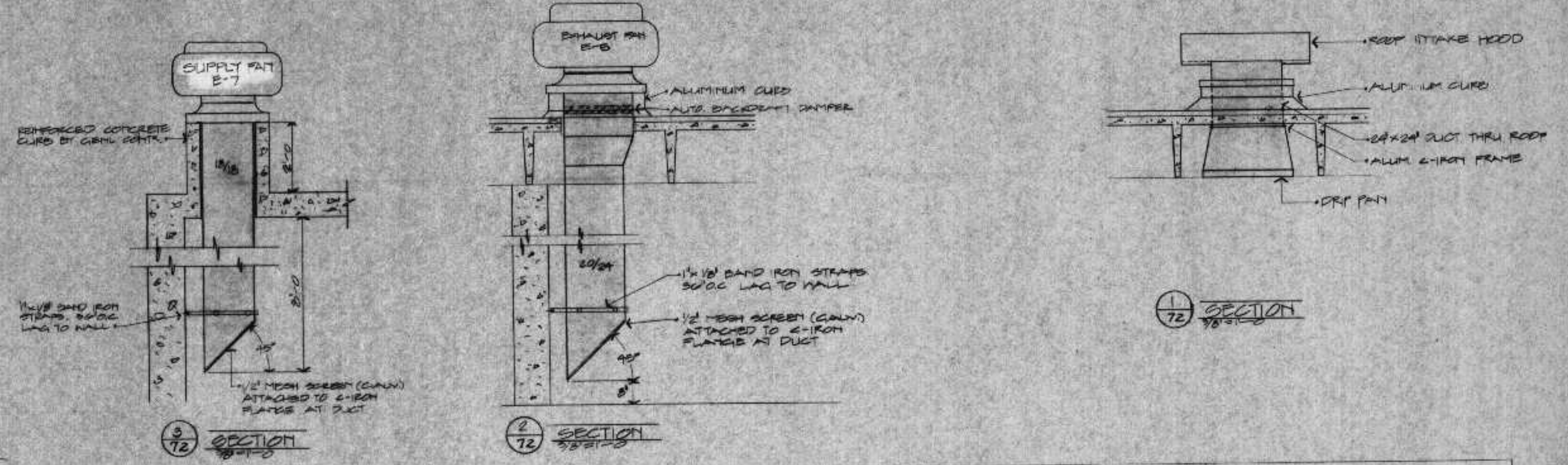
BOENSTROO, ROSENE, ANDERLIK & ASSOC., INC.
ST. PAUL, MINNESOTA

SUPERIOR, WISCONSIN
DATE: FEB 11, 1976
CDMM 6885E

SOUTH SUPERIOR CSO PLANT
MECHANICAL

EXHAUST FAN SCHEDULE										
FAN	SERVICE	MFR	MODEL	TYPE	DRIVE	CFM	"SP	FAN RPM	HP	REMARKS
E-1	TREATMENT RM. VENT.	ACME	F10G	FRV	BELT	2500	1/4"	850	1/2	NOTE 1,3
E-2	TREATMENT RM. VENT.	ACME	F10G	FRV	BELT	2500	1/4"	850	1/2	NOTE 1,3
E-3	TREATMENT RM. VENT.	ACME	F10G	FRV	BELT	2500	1/4"	850	1/2	NOTE 1,3
E-4	TREATMENT RM. VENT.	ACME	F10G	FRV	BELT	2500	1/4"	850	1/2	NOTE 1,3
E-5	CHLORINE RM. VENT.	ACME	FUR4H	FRV	BELT	1000	3/8"	080	3/4	NOTE 1,2,3
E-6	INFLUENT RM. VENT.	ACME	FUR2G	FRV	BELT	2000	3/8"	700	1/2	NOTE 1,2,3
E-7	WELL VENTILATION	ACME	LA4DS	FRV (SUBST.)	DIRECT	700	1/2"	1700	1/4	NOTE 3,4
E-8										

NOTES:
 1) PROVIDE INSULATED ALUMINUM CURD WITH INTEGRAL BACKRAFT DAMPER.
 2) SUPPLY FAN TO HAVE A LAM PROPELLER AND TOTALLY ENCLOSED EXPLOSION PROOF MOTOR.
 3) APPROVED MANUFACTURERS: ACME, COOK, GREENHECK, L. O. CO. ETC.
 4) SUPPLY FAN TO HAVE A LAM PROPELLER AND TOTALLY ENCLOSED EXPLOSION PROOF MOTOR.

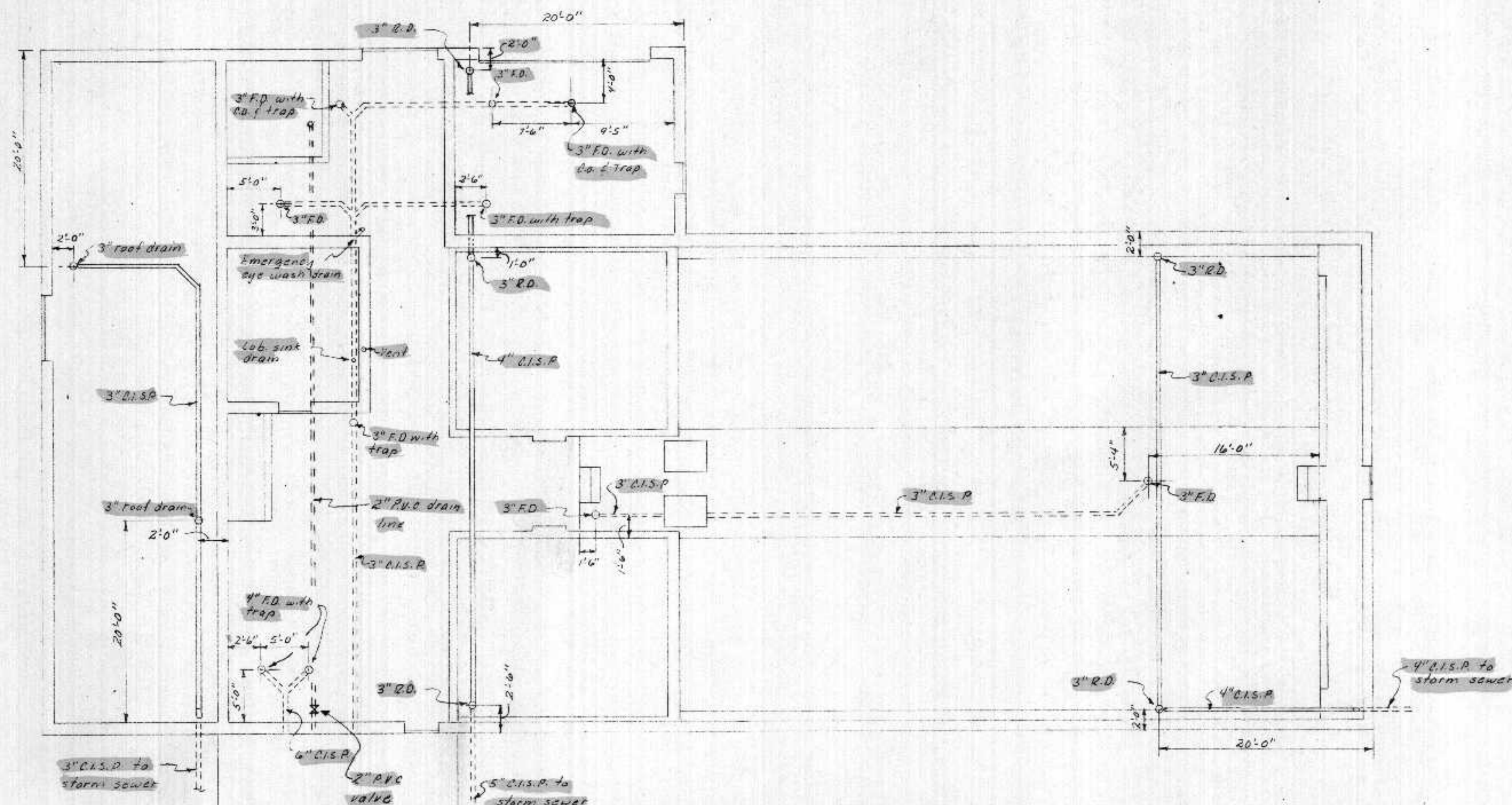


ERICKSEN ELLISON
 AND ASSOCIATES INC.
 CONSULTING ENGINEERS
 SAINT PAUL, MINNESOTA

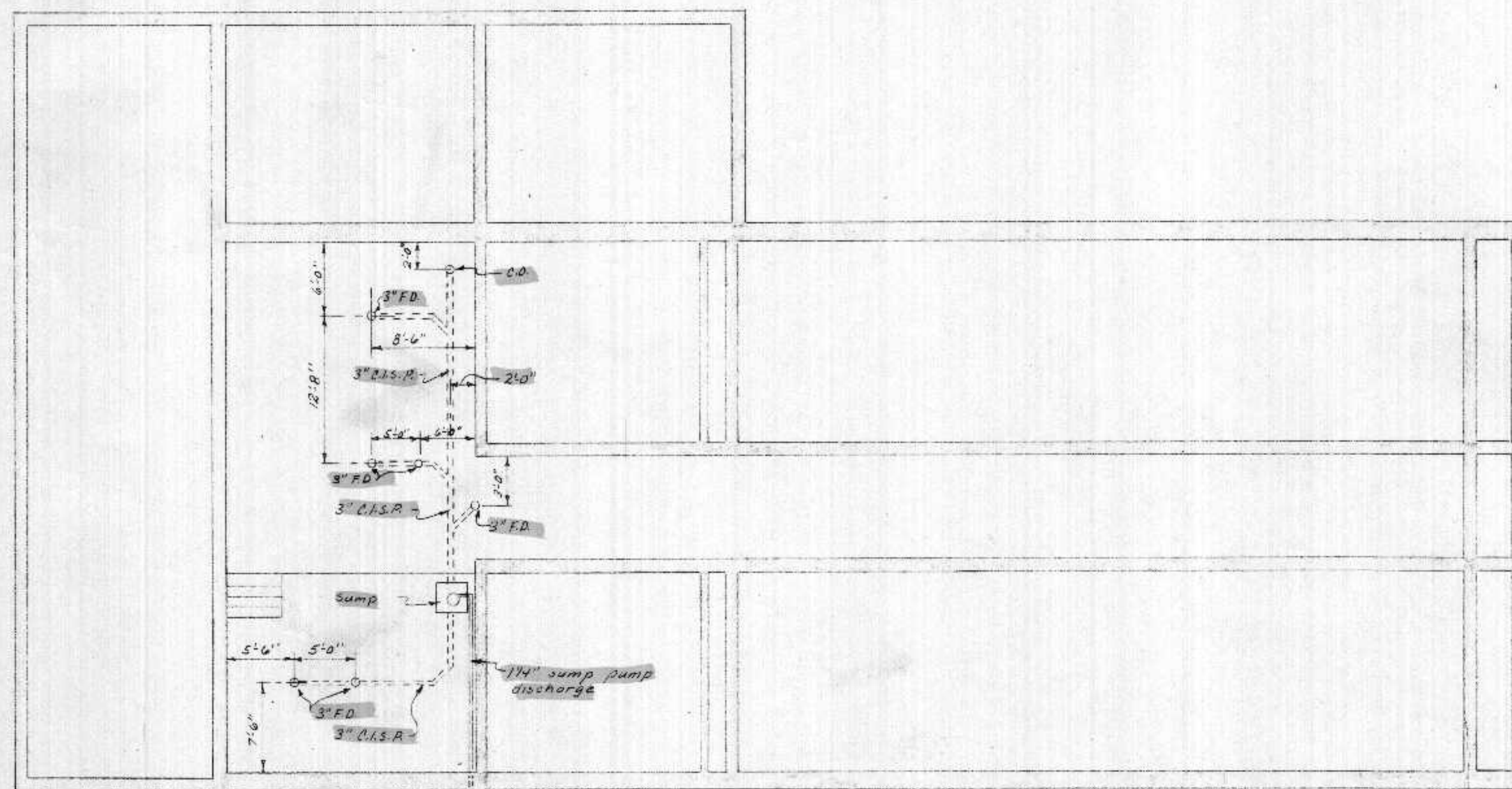
DESIGNED BY: *[Signature]*
 DRAWN BY: *[Signature]*
 CHECKED BY: *[Signature]*
 APPROVED BY: *[Signature]*

BONESTROO, ROSENE, ANDERLIK & ASSOC., INC.
 ST. PAUL, MINNESOTA
SUPERIOR, WISCONSIN
 DATE: FEB. 11, 1976

SOUTH SUPERIOR CSO PLANT
 MECHANICAL



PLUMBING DRAINAGE
UPPER LEVEL
Scale 1/8" = 1'-0"



PLUMBING DRAINAGE
LOWER LEVEL
Scale 1/8" = 1'-0"

VALVE LIST

I. WASTEWATER SYSTEM (WS)

Valve No.	Size	Type	Location	Operator	Purpose
WS-1	--	S.G.	Bar Screen	--	Emergency Overflow
WS-2	--	S.G.	Bar Screen	--	Bar Screen Bypass
WS-3	--	S.G.	Bar Screen	--	Bar Screen Bypass
WS-4	6"	KG.V.	Drum Screen	Cylinder	Drum Screen Inlet
WS-5	16"	B.V.	Flocculator 1	Cylinder	Flocculator 1 Inlet
WS-6	16"	B.V.	Flocculator 2	Cylinder	Flocculator 2 Inlet
WS-7	12"	B.V.	Pump Room	Cylinder	Wastewater Source
WS-8	12"	B.V.	Pump Room	Handwheel	Treated Water Source
WS-9	8"	G.V.	Pump Room	Handwheel	Pres. Pump 1 Inlet Shutoff
WS-10	8"	G.V.	Pump Room	Handwheel	Pres. Pump 2 Inlet Shutoff
WS-11	6"	D.V.	Pump Room	Automatic	Pres. Pump 1 Discharge Shutoff
WS-12	6"	D.V.	Pump Room	Automatic	Pres. Pump 2 Discharge Shutoff
WS-13	6"	C.V.	Pump Room	Air Cushion	Pres. Pump 1 Discharge Check
WS-14	6"	C.V.	Pump Room	Air Cushion	Pres. Pump 2 Discharge Check
WS-15	6"	C.V.	Pipe Gallery	Air Cushion	Pres. Tank 1 Discharge Check
WS-16	6"	C.V.	Pipe Gallery	Air Cushion	Pres. Tank 2 Discharge Check
WS-17	3"	D.V.	Pipe Gallery	Automatic	Pres. Tank 1 Discharge Control
WS-18	3"	D.V.	Pipe Gallery	Automatic	Pres. Tank 2 Discharge Control
WS-19	6"	G.V.	Pipe Gallery	Handwheel	Pres. Tank 1 Discharge Shutoff
WS-20	6"	G.V.	Pipe Gallery	Handwheel	Pres. Tank 2 Discharge Shutoff
WS-21	4"	C.V.	Inlet Structure	Weight	Inlet Pump 3 Discharge Check
WS-22	4"	G.V.	Inlet Structure	Handwheel	Inlet Pump 3 Discharge Shutoff

II. DRAIN DOWN SYSTEM (DS)

Valve No.	Size	Type	Location	Operator	Purpose
DS-1	6"	B.V.	Pump Room	Cylinder	Screen Room Drain
DS-2	12"	B.V.	Pump Room	Cylinder	Main Drain
DS-3	6"	B.V.	Pipe Gallery	Cylinder	Flocculator 1 Drain
DS-4	6"	B.V.	Pipe Gallery	Cylinder	Flocculator 2 Drain
DS-5	6"	B.V.	Pipe Gallery	Cylinder	Flotation Tank 1 Drain
DS-6	6"	B.V.	Pipe Gallery	Cylinder	Flotation Tank 2 Drain
DS-7	1"	S.V.	Pump Room	Solenoid	Pres. Tank 1 Drain
DS-8	1"	S.V.	Pump Room	Solenoid	Pres. Tank 2 Drain
DS-9	4"	B.V.	SCREEN ROOM	CYLINDER	SCREEN ROOM DRAIN

III. SLUDGE SYSTEM (SS)

Valve No.	Size	Type	Location	Operator	Purpose
SS-1	6"	C.V.	Pump Room	Handwheel	Sludge Pump 1 Inlet Shutoff
SS-2	6"	G.V.	Pump Room	Handwheel	Sludge Pump 2 Inlet Shutoff
SS-3	8"	G.V.	Pump Room	Handwheel	Sludge Pump 3 Inlet Shutoff
SS-4	6"	C.V.	Pump Room	Air Cushion	Sludge Pump 1 Discharge Check
SS-5	6"	C.V.	Pump Room	Air Cushion	Sludge Pump 2 Discharge Check
SS-6	6"	C.V.	Pump Room	Air Cushion	Sludge Pump 3 Discharge Check
SS-7	6"	G.V.	Pump Room	Handwheel	Sludge Pump 1 Discharge Shutoff
SS-8	6"	G.V.	Pump Room	Handwheel	Sludge Pump 2 Discharge Shutoff
SS-9	6"	G.V.	Pump Room	Handwheel	Sludge Pump 3 Discharge Shutoff

The valves listed above are the main process valves and do not include valves for potable and plant water, compressed air, chemical feed and drainage systems. The Contractors shall furnish and install all valves shown on the plans, noted in the specifications or required for operational systems.

Legend:

- BV - Butterfly Valve
- BL - Ball Valve
- CV - Check Valve
- DV - Diaphragm Valve
- GV - Gate Valve
- SC - Slide Gate
- SV - Solenoid Valve
- KGV - KNIFE GATE VALVE

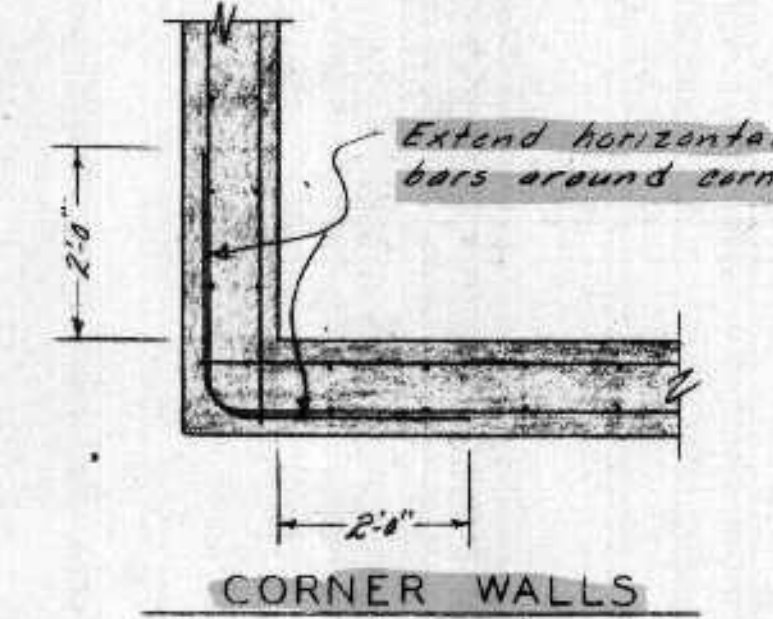
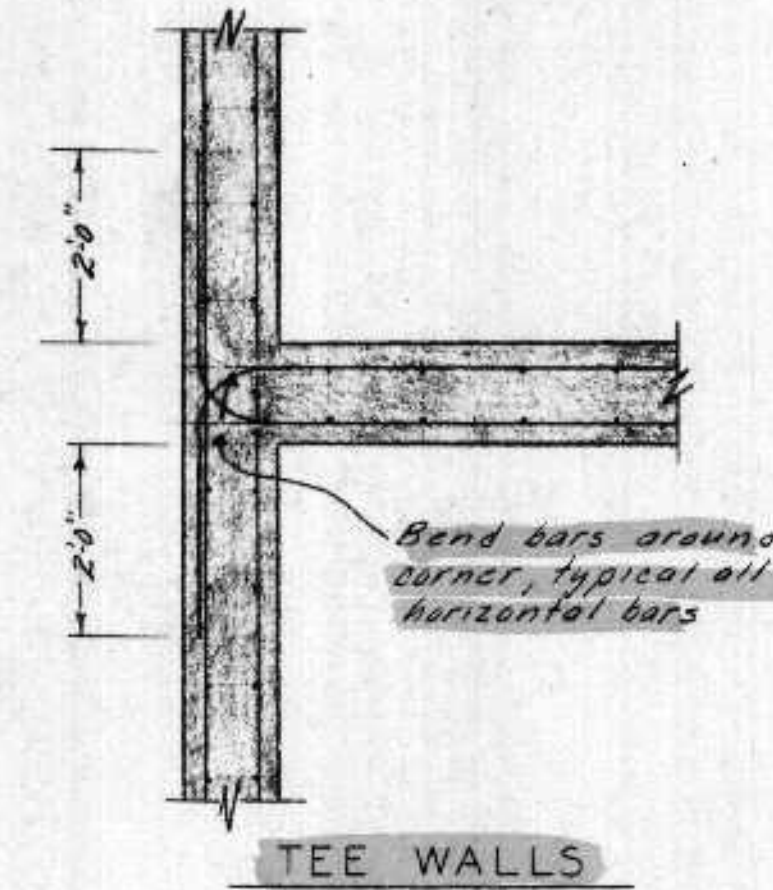
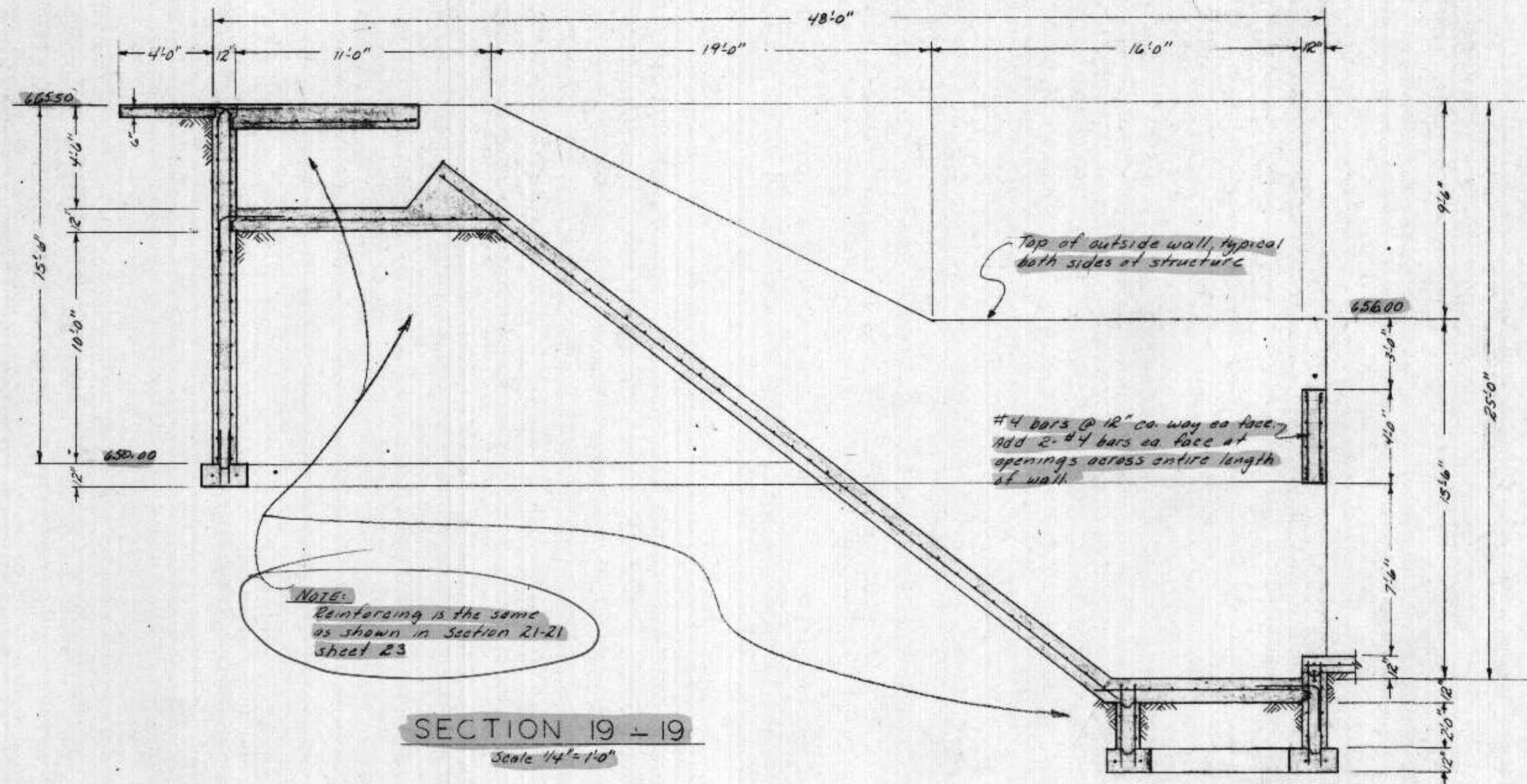
I HEREBY CERTIFY THAT THIS PLAN WAS PREPARED BY ME OR UNDER MY DIRECT SUPERVISION AND THAT I AM A duly LICENSED PROFESSIONAL ENGINEER UNDER THE LAWS OF THE STATE OF WISCONSIN.
DATE 5/16/76 REG. NO. E 12927 Richard E. Summer

SURVEY
DRAWN
CHECKED
APPROVED

REVISIONS
4/16/76 Added DS-9 RT
DONESTRO, ROSENE, ANDERLIK & ASSOC., INC.
ST. PAUL, MINNESOTA

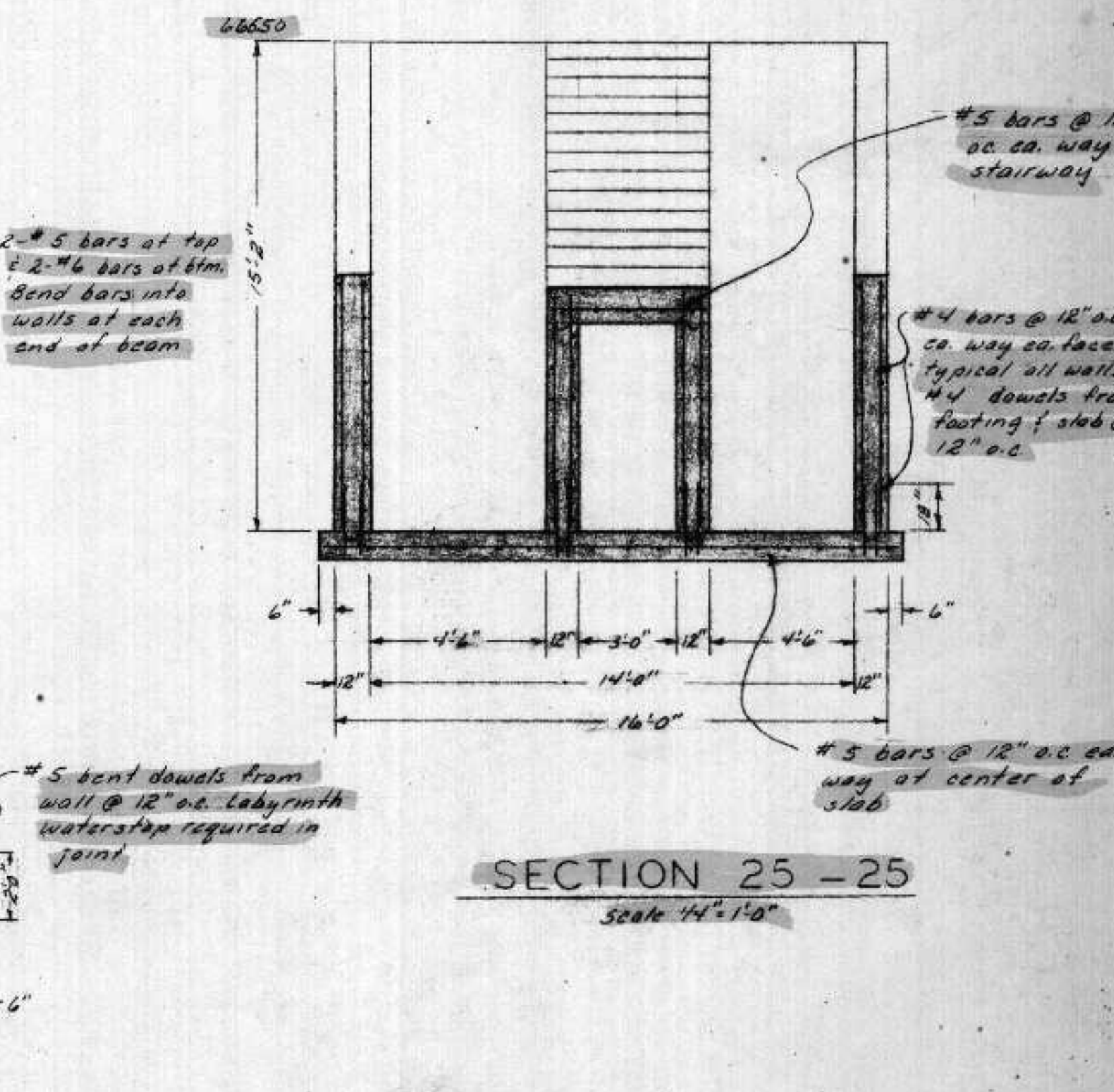
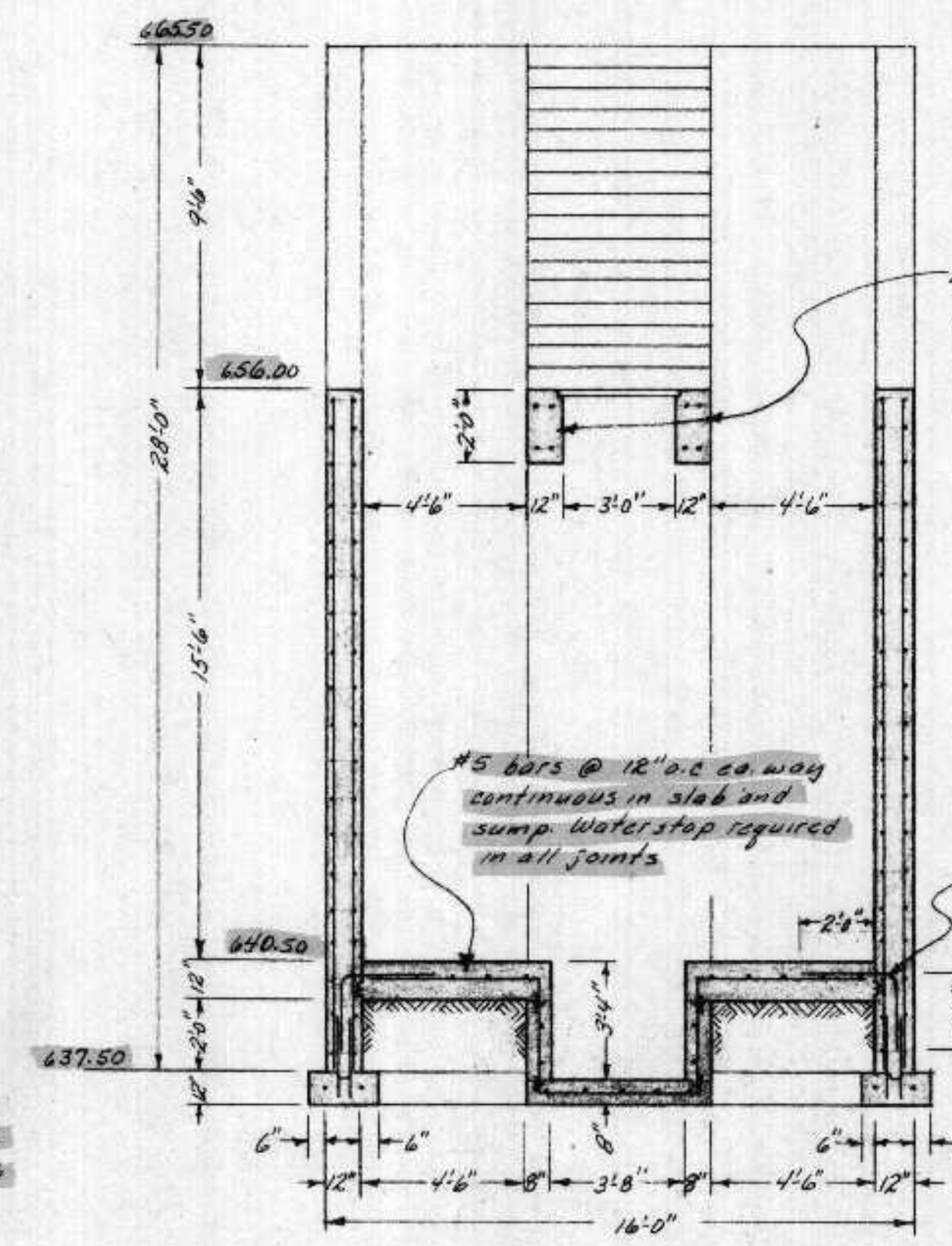
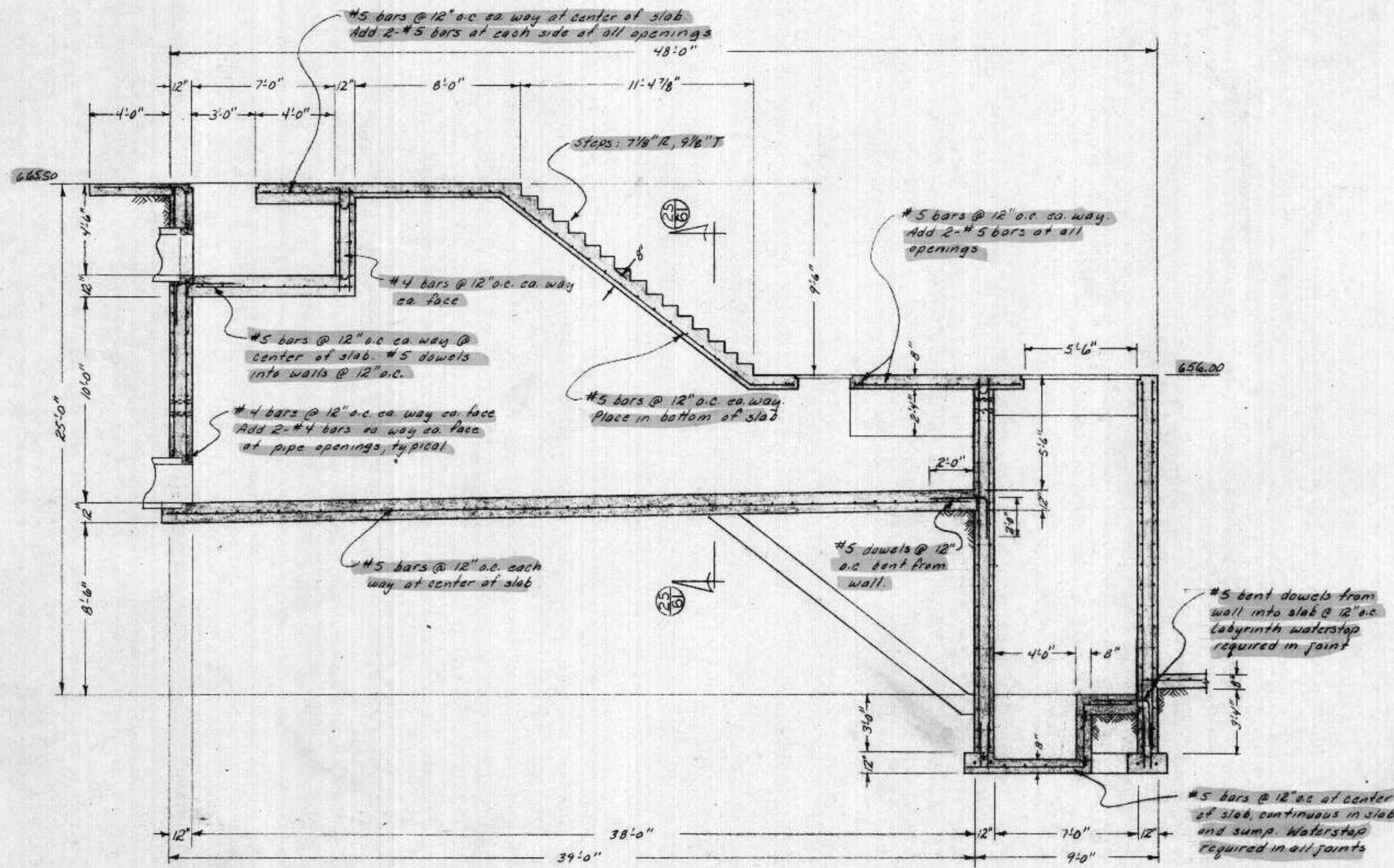
SUPERIOR, WISCONSIN
DATE FEB. 16, 1976 COMM 6888 E

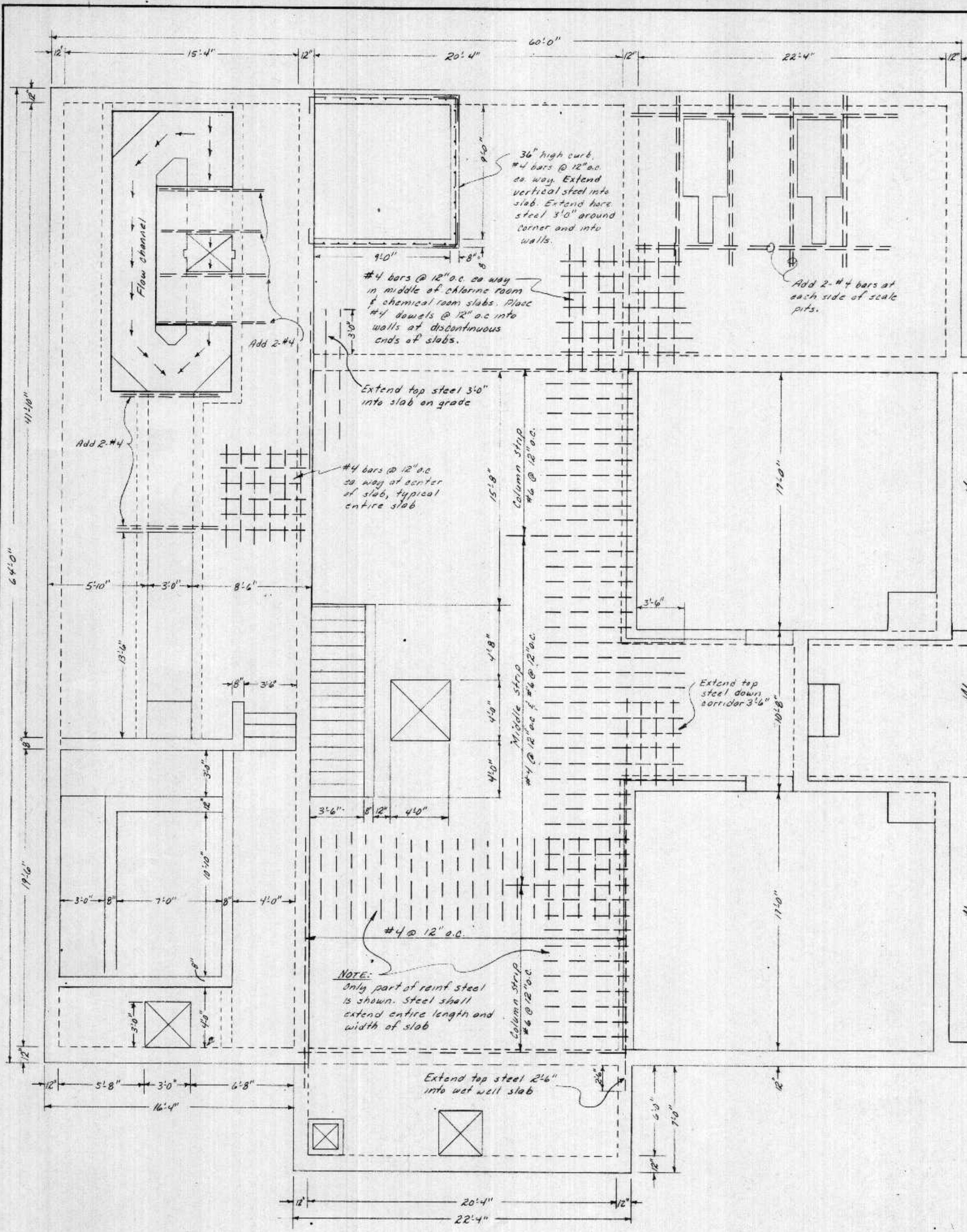
SOUTH SUPERIOR CSO PLANT
DRAINAGE PIPING PLAN
59/78



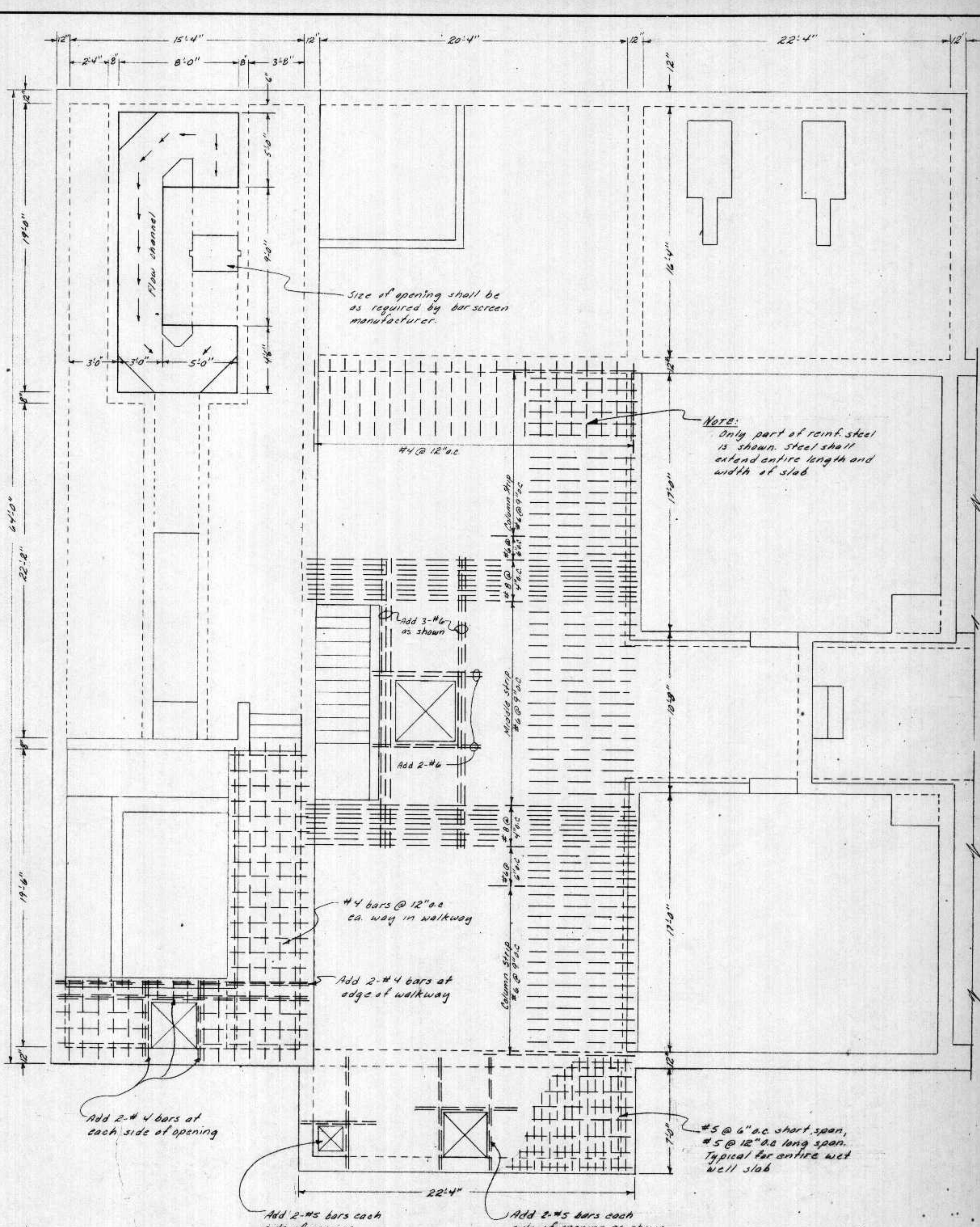
WALL DETAILS
Scale 1/2"=1'-0"

- NOTES:
- All exposed edges of concrete shall be chamfered 3/4 inch.
 - Waterstop shall be installed in all construction joints below elevation 615 as shown for inlet structure.
 - All exterior slabs to be sloped to drain away from buildings or equipment. Interior slabs to be sloped to drain to floor drains or tanks.





MAIN FLOOR SLABS - TOP STEEL
Scale: 1/4" = 1'-0"



MAIN FLOOR SLABS - BOTTOM STEEL
Scale: 1/4" = 1'-0"

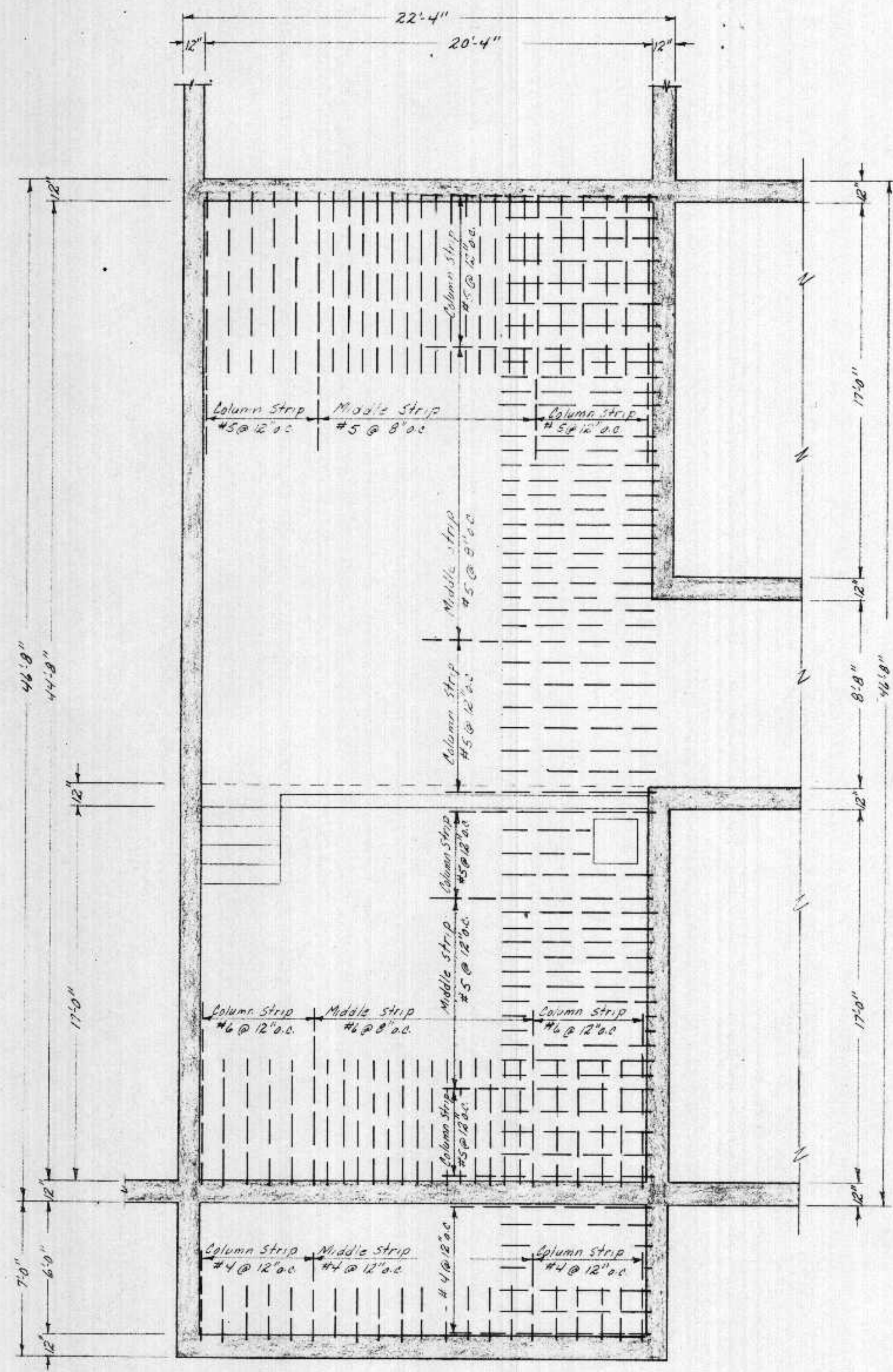
I HEREBY CERTIFY THAT THIS PLAN WAS PREPARED BY ME OR UNDER MY DIRECT SUPERVISION AND THAT I AM A duly LICENSED PROFESSIONAL ENGINEER UNDER THE LAWS OF THE STATE OF WISCONSIN.
DATE: 2/16/76 MR. 50 E 12 919 Robert W. Rosene

SURVEY	DATE	REVISIONS
DRAWN	DATE	
DESIGN	DATE	
APPROVED	DATE	

BONESTROO, ROSENE, ANDERLIK & ASSOC., INC.
ST. PAUL, MINNESOTA

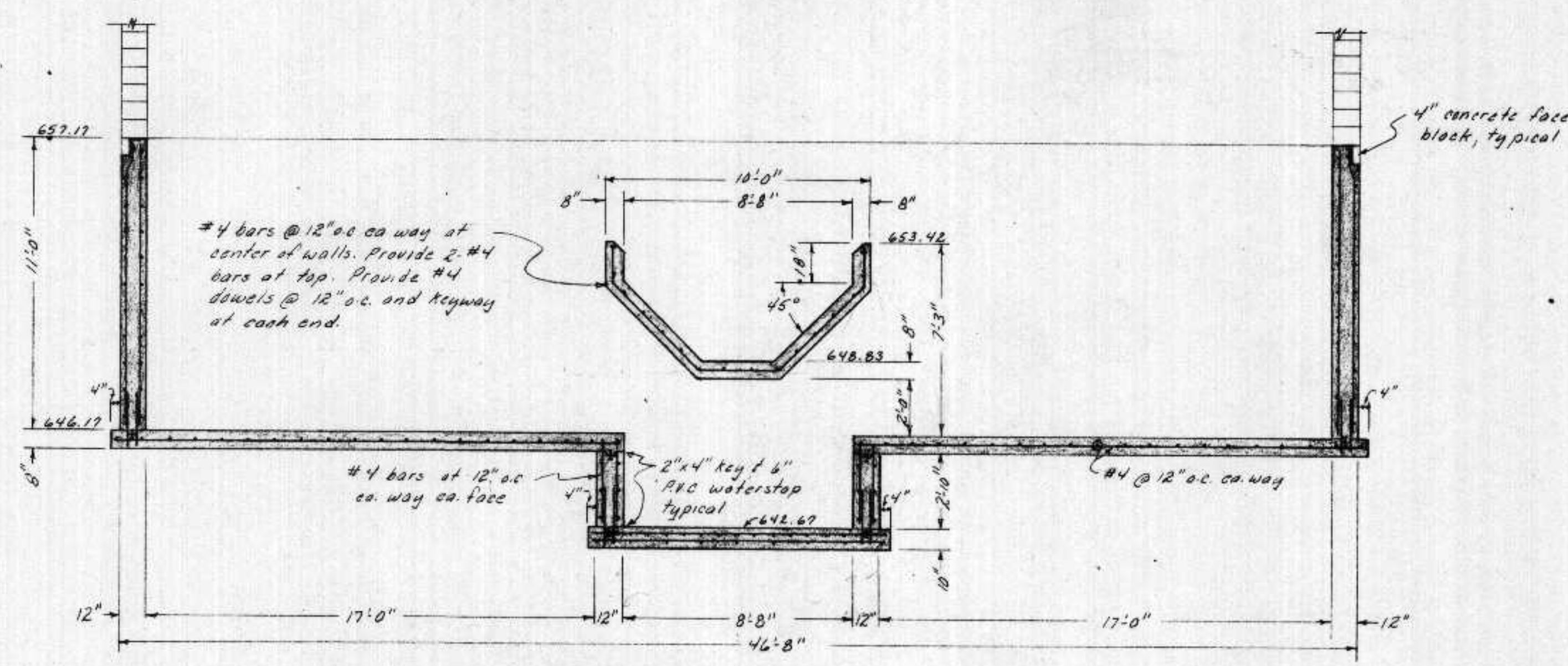
SUPERIOR, WISCONSIN
DATE: FEB. 16, 1976 COMM 6886 E

SOUTH SUPERIOR CSO PLANT
FLOOR PLAN-STRUCTURAL

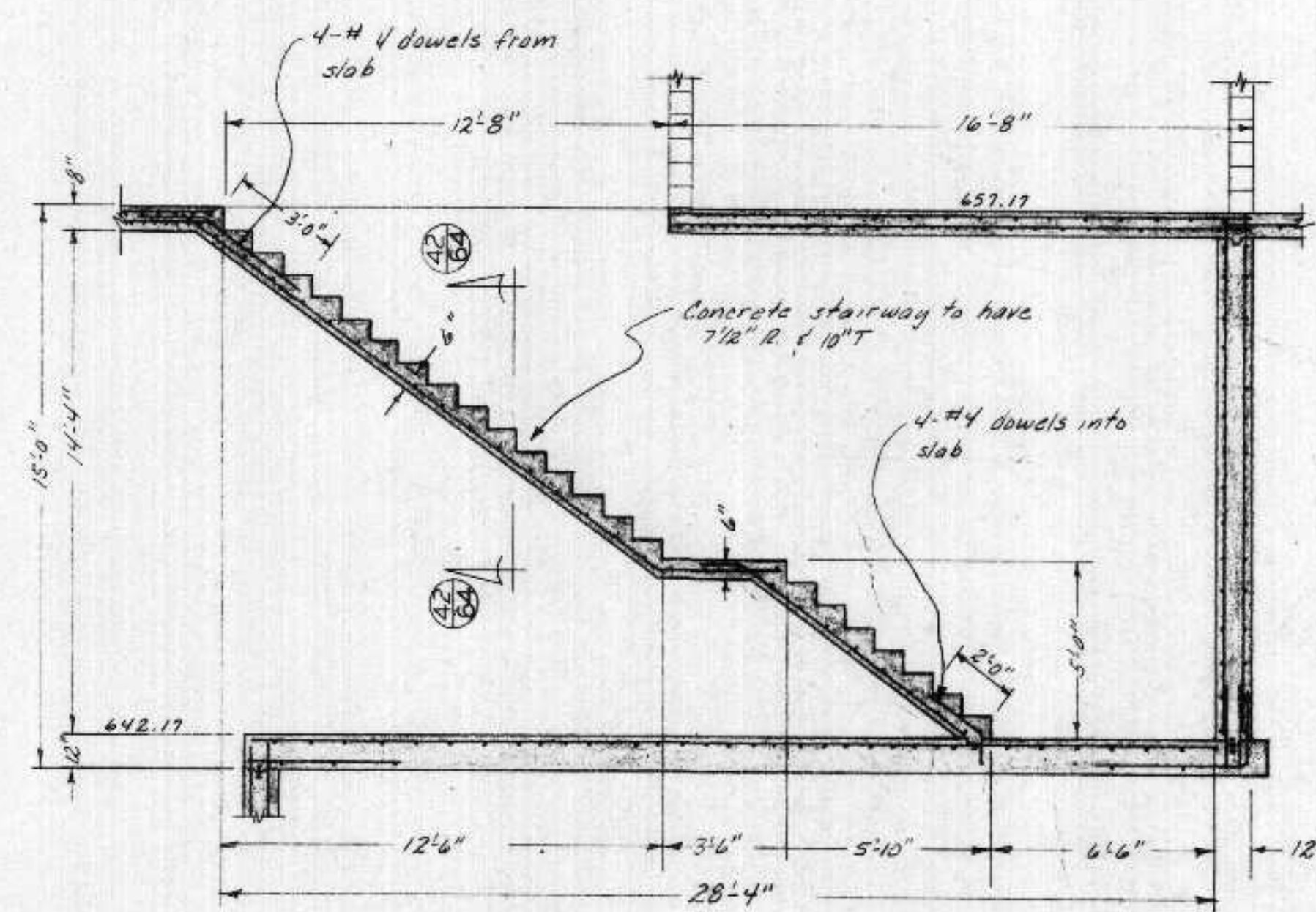


All reinforcing shall have 2" clear cover over steel.

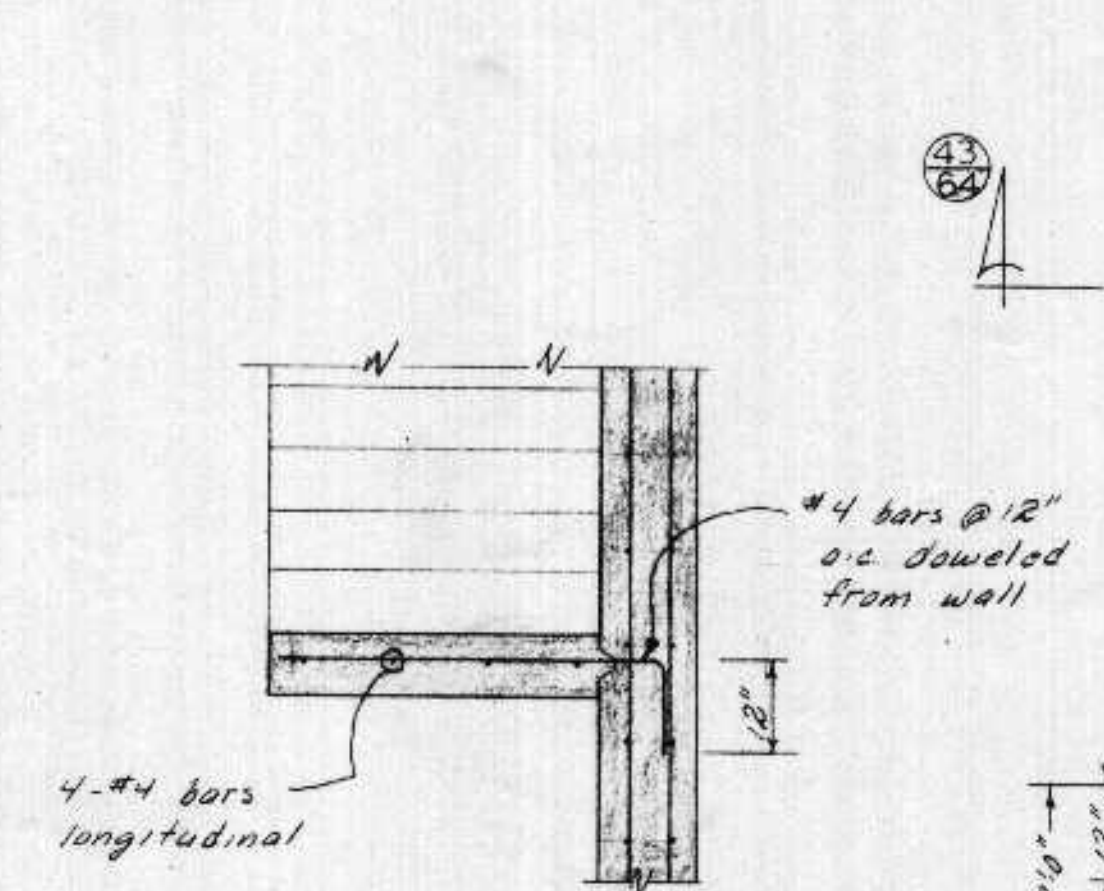
PUMP ROOM SLABS - TOP STEEL
Scale 1/4" = 1'-0"



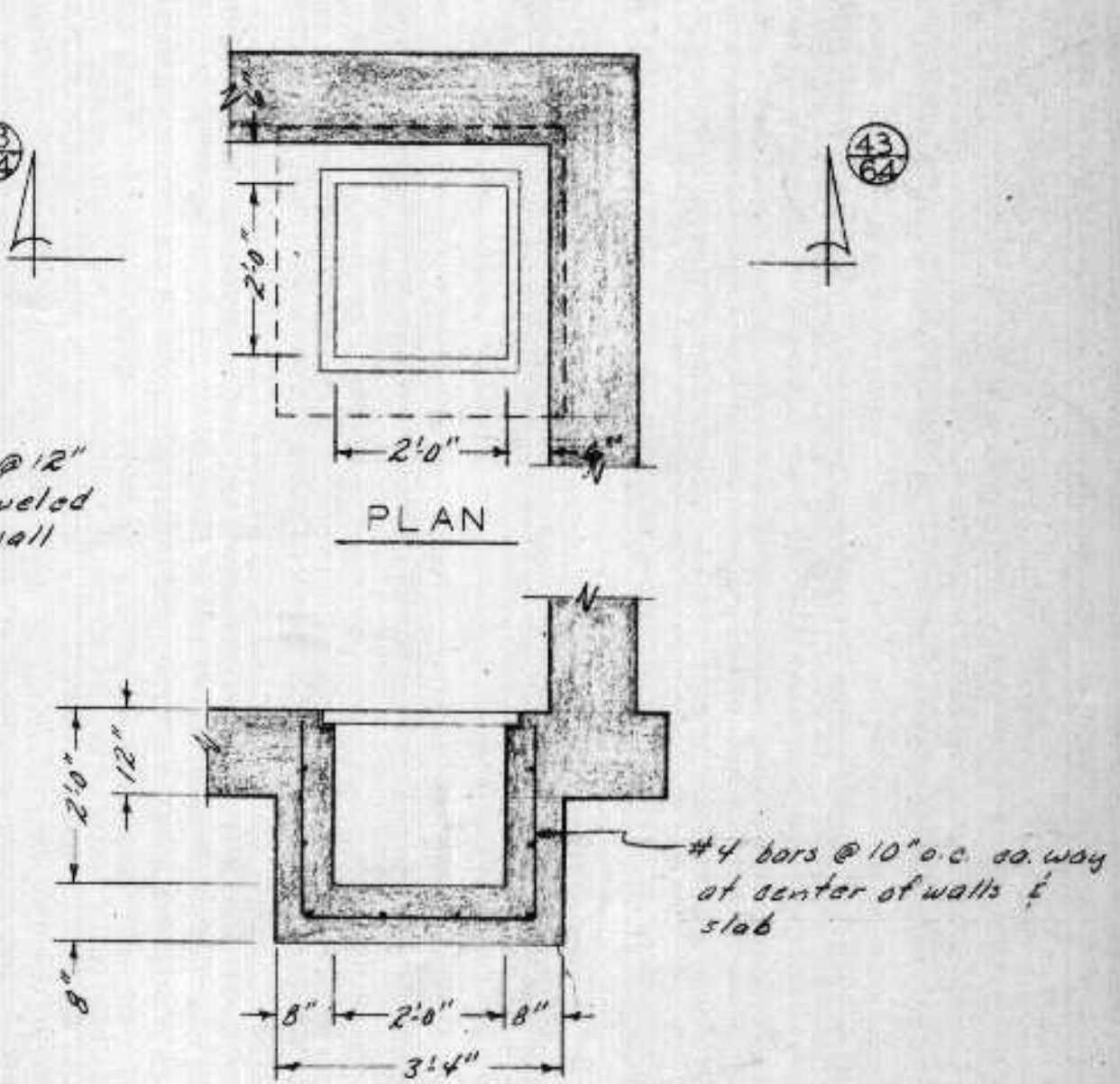
SECTION 31-31
Scale 1/4" = 1'-0"



SECTION THRU STAIRWAY
Scale 1/4" = 1'-0"



SECTION 42-42
Scale 1/2" = 1'-0"



SECTION 43-43

SUMP
Scale 1/2" = 1'-0"

SOUTH SUPERIOR CSO PLANT

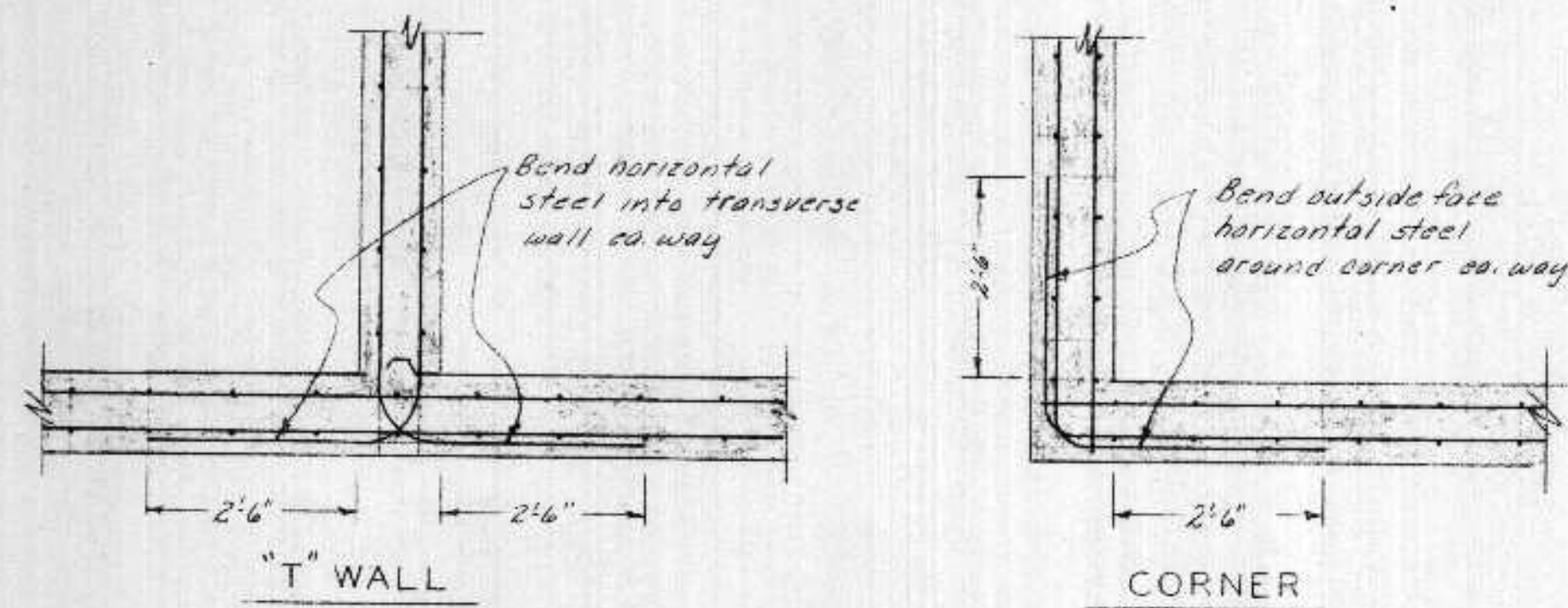
I HEREBY CERTIFY THAT THIS PLAN WAS PREPARED BY ME OR UNDER MY DIRECT SUPERVISION AND THAT I AM A LICENSED PROFESSIONAL ENGINEER UNDER THE LAWS OF THE STATE OF WISCONSIN.
DATE: 1/16/76 REG. NO. 512919 Robert W. Rosen

SURVEY	REVISED
DRAWN	REVISED
DESIGN	REVISED
APPROVED	

BONESTROO, ROSENE, ANDERLIK & ASSOC., INC.
ST. PAUL, MINNESOTA

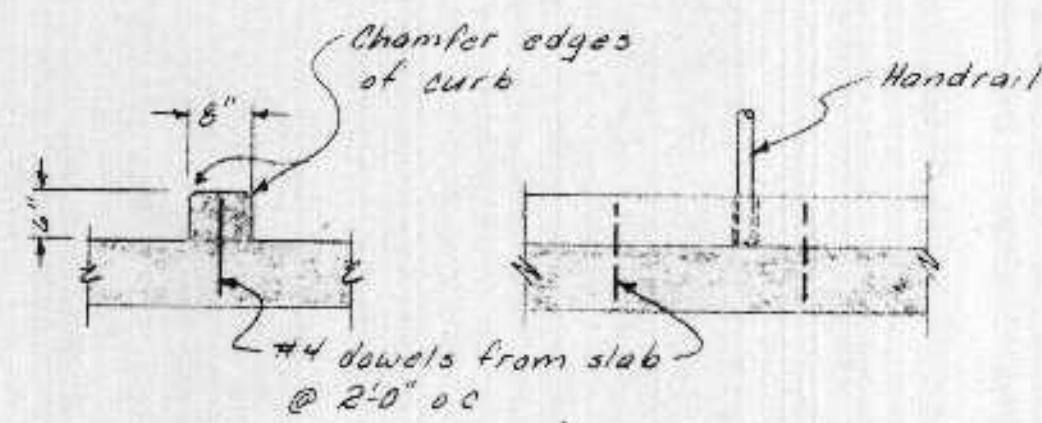
SUPERIOR, WISCONSIN
DATE: FEB. 16, 1976 COMM 6888 E

PLANT SECTIONS-STRUCTURAL



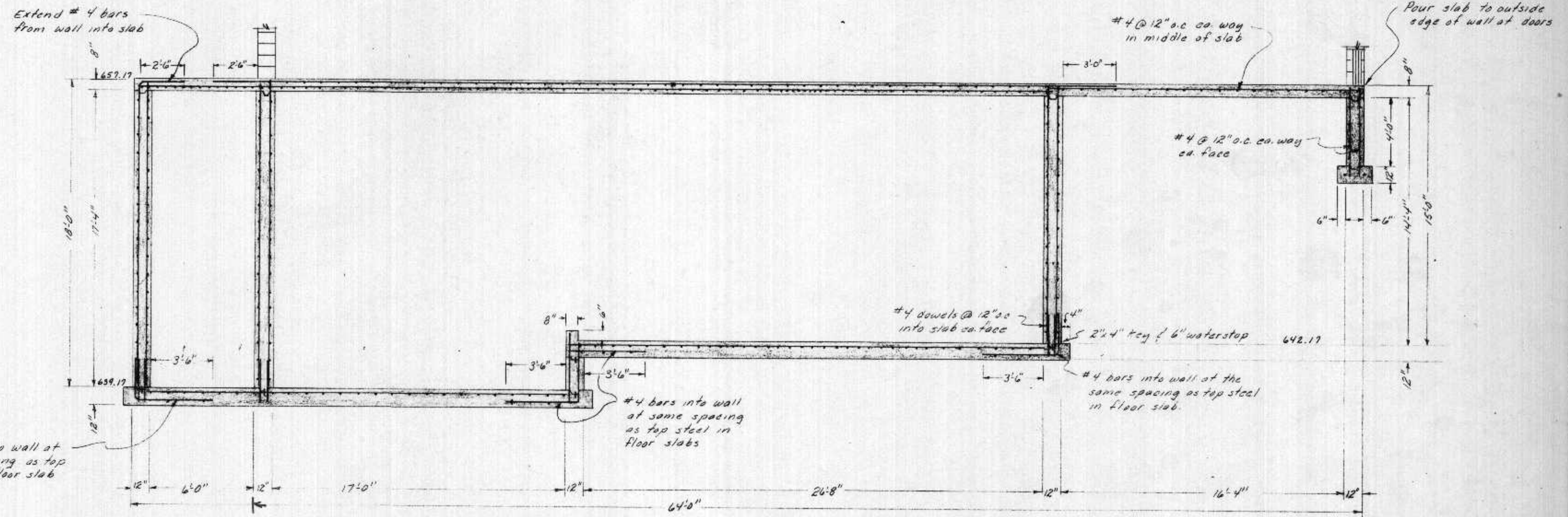
CORNER DETAILS

Scale 1/2" = 1'-0"



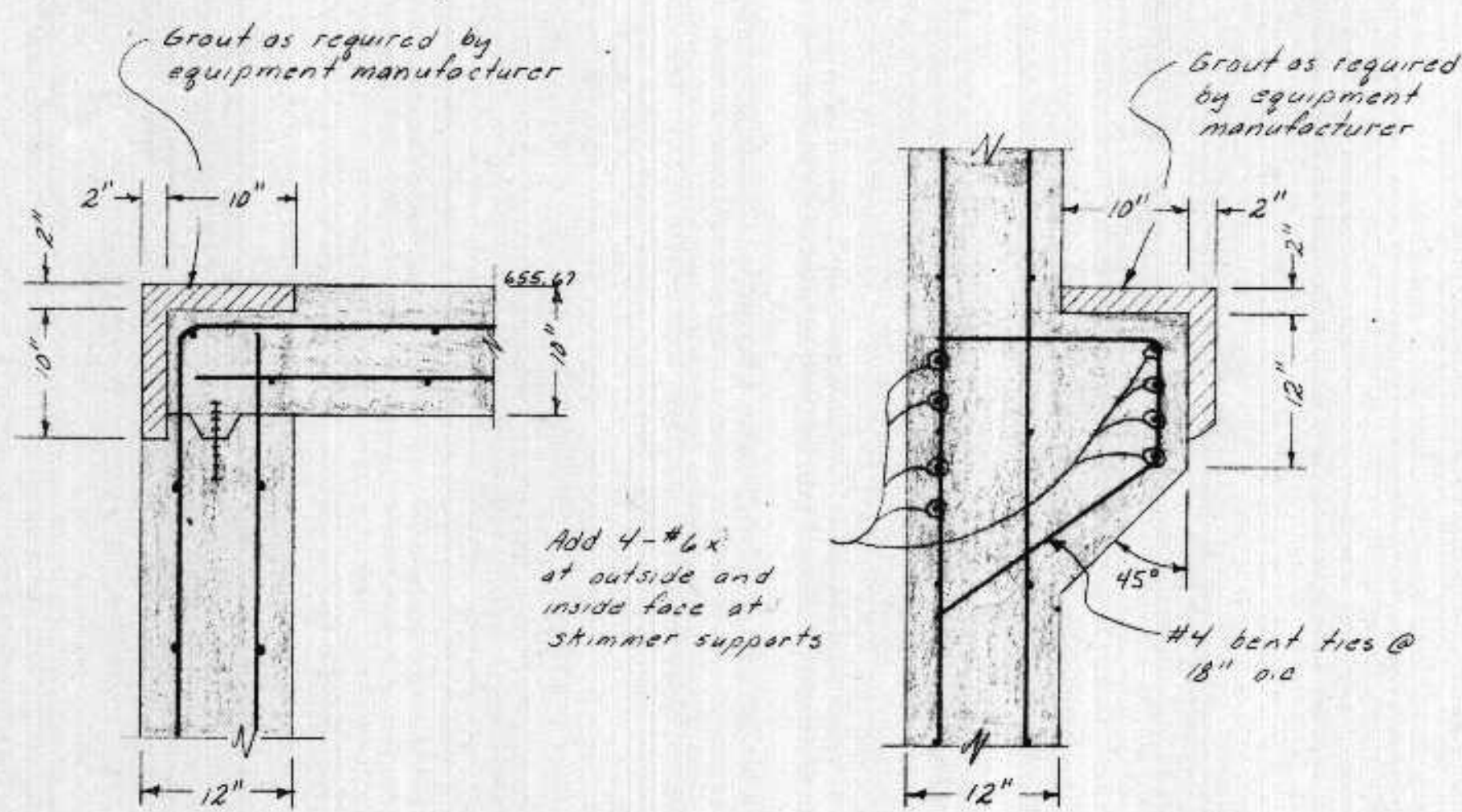
CURB DETAIL

Scale 1/2" = 1'-0"



SECTION 29-29

Scale 1/4" = 1'-0"

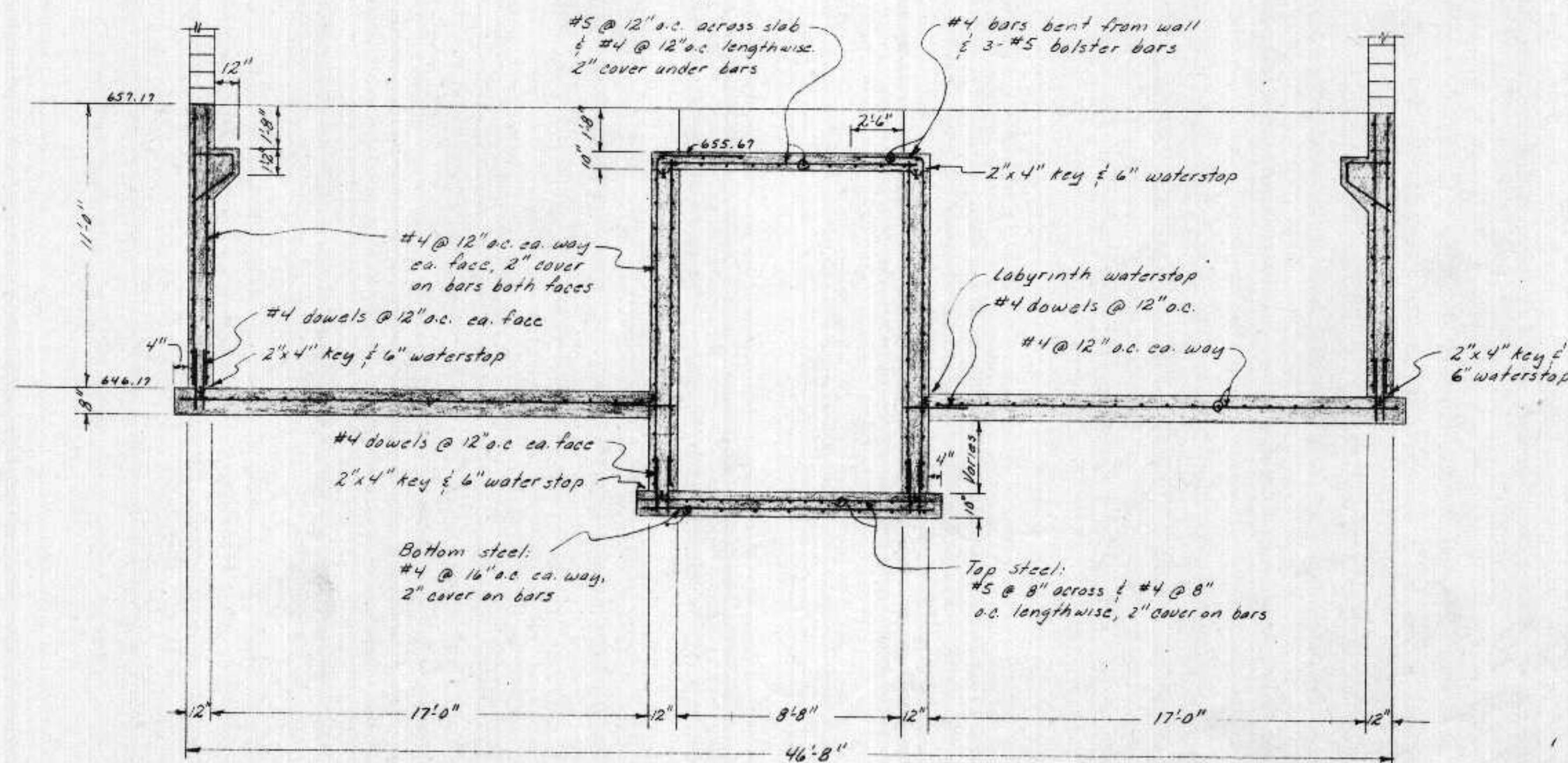


INTERIOR WALL

EXTERIOR WALL

FLOTATION TANK WALLS

Scale 1" = 1'-0"



SECTION 30-30

Scale 1/4" = 1'-0"

I HEREBY CERTIFY THAT THIS PLAN WAS PREPARED BY ME OR UNDER MY DIRECT SUPERVISION AND THAT I AM A duly LICENSED PROFESSIONAL ENGINEER UNDER THE LAWS OF THE STATE OF WISCONSIN.

DATE 2/16/76 SEE NO. E12919 Robert W. Roemer

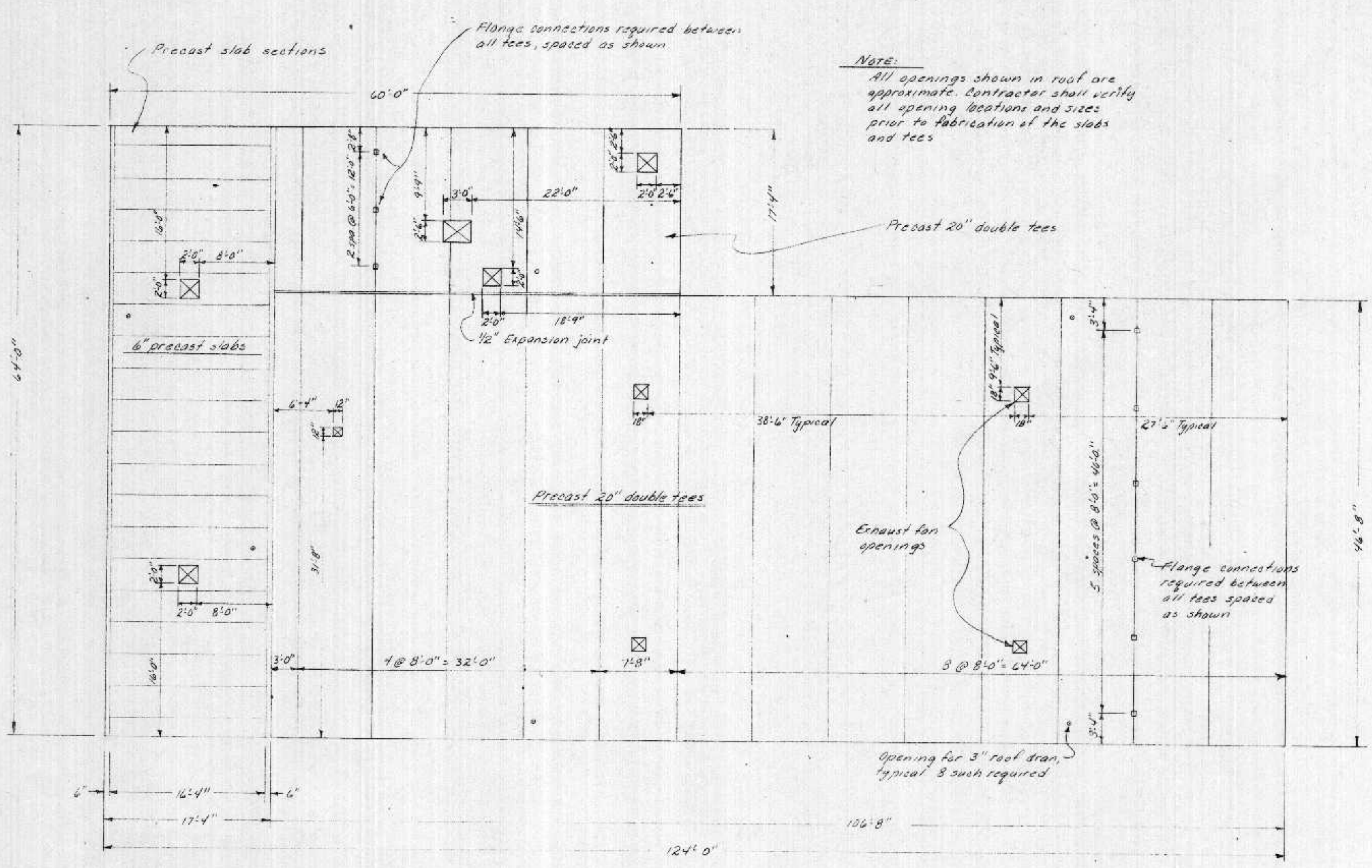
SURVEY
DRAWN
CHECKED
APPROVED

BONESTROO, ROSENE, ANDERLIK & ASSOC., INC.
ST. PAUL, MINNESOTA

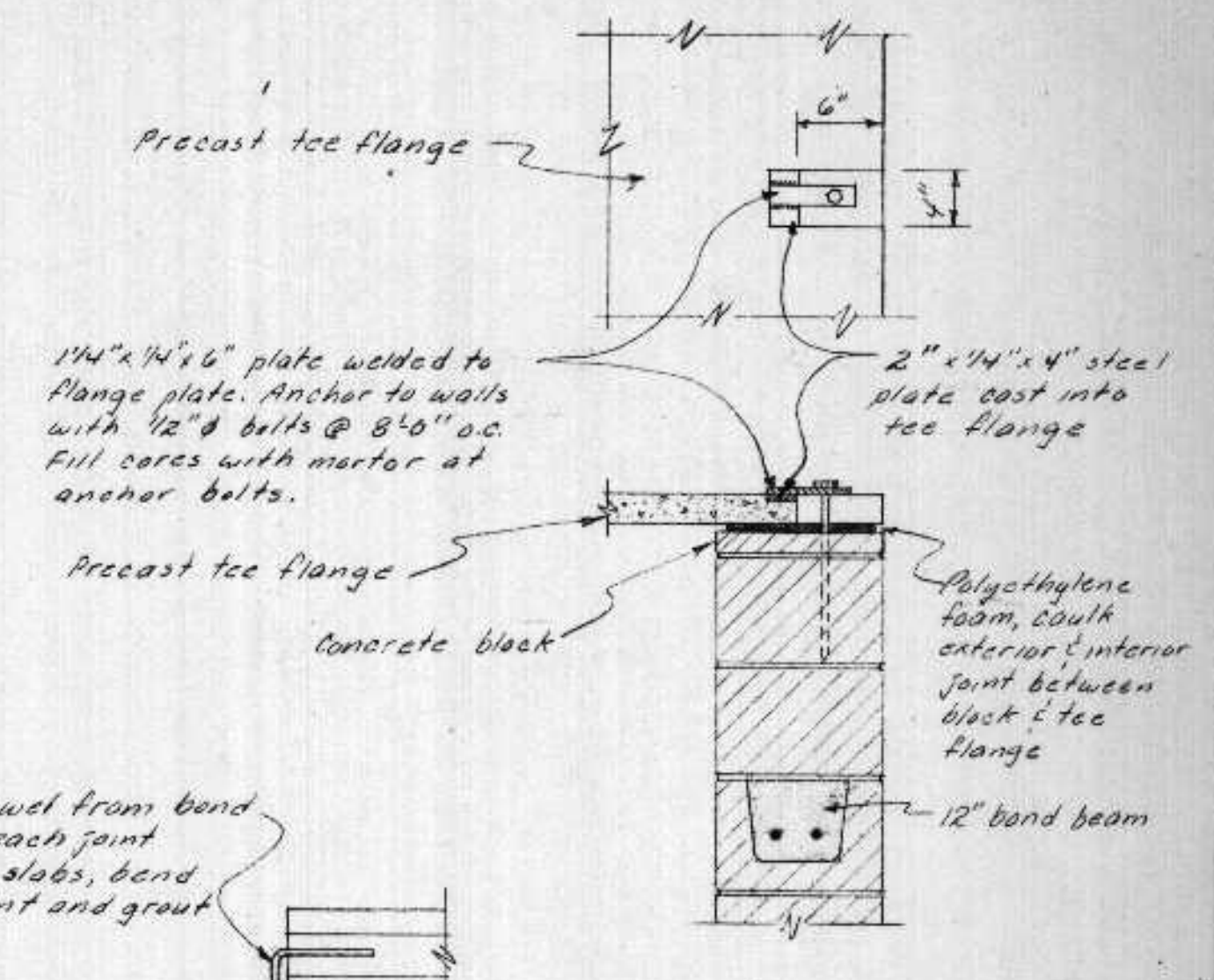
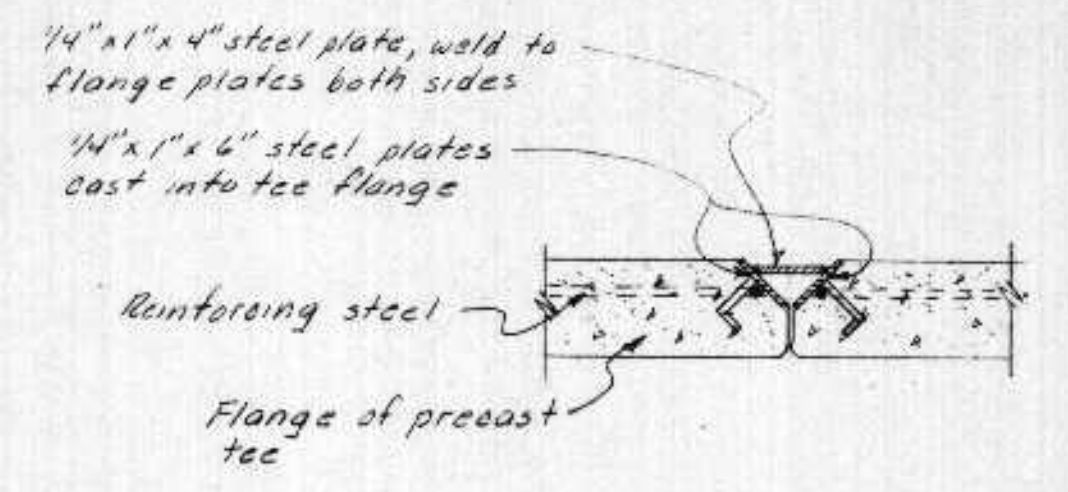
SUPERIOR, WISCONSIN
DATE: FEB. 16, 1976
COMM 6888 E

SOUTH SUPERIOR CSO PLANT
PLANT SECTIONS-STRUCTURAL

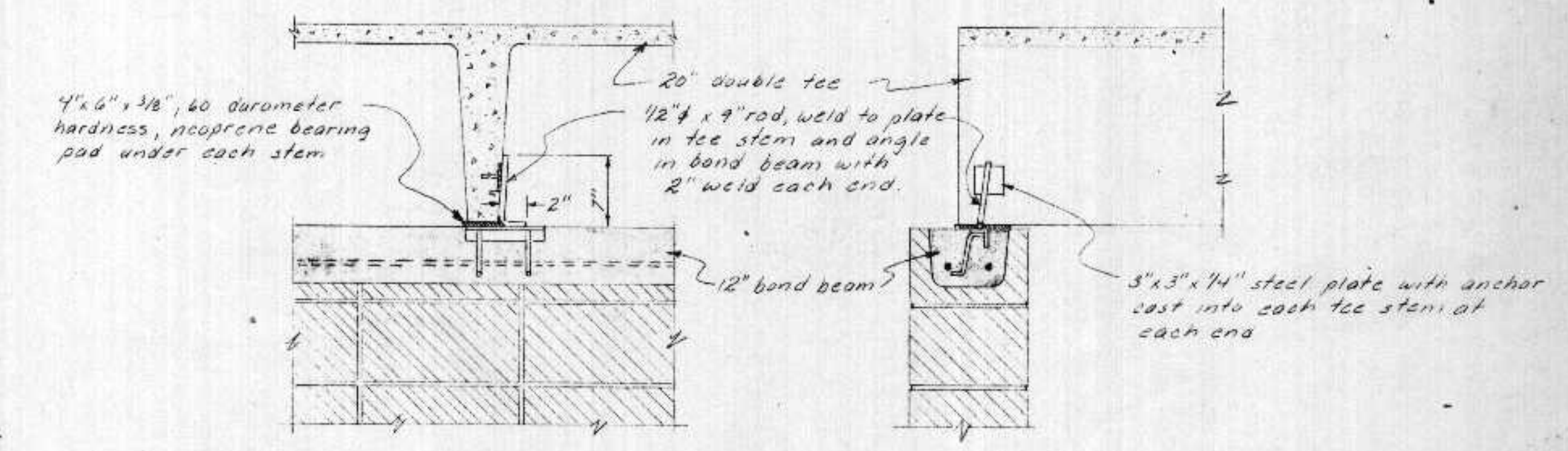
66/78



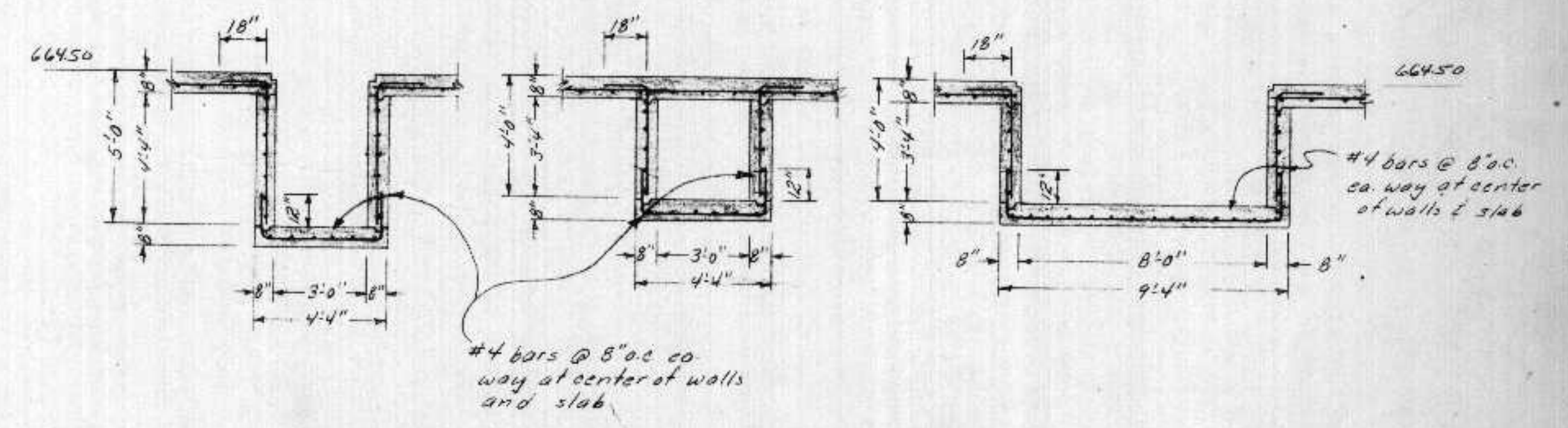
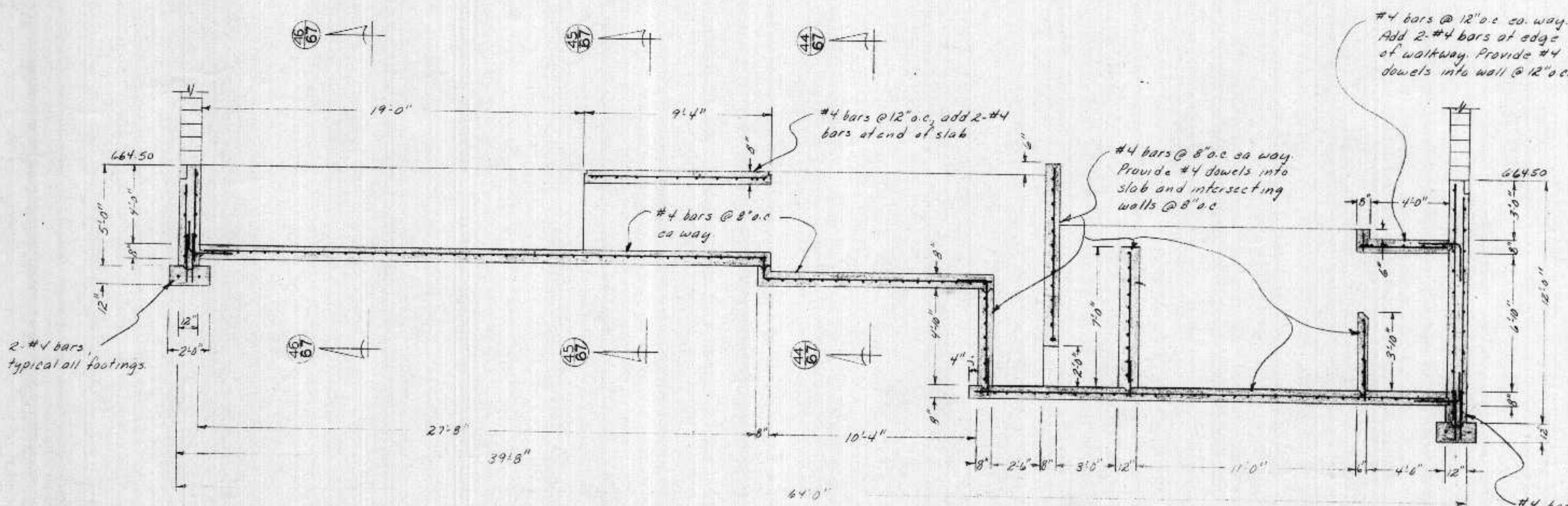
ROOF LAYOUT
Scale 1/8" = 1'-0"



END SLAB TIE DOWN DETAIL
Scale 1" = 1'-0"



END TEE TIE DOWN DETAIL
Scale 1" = 1'-0"



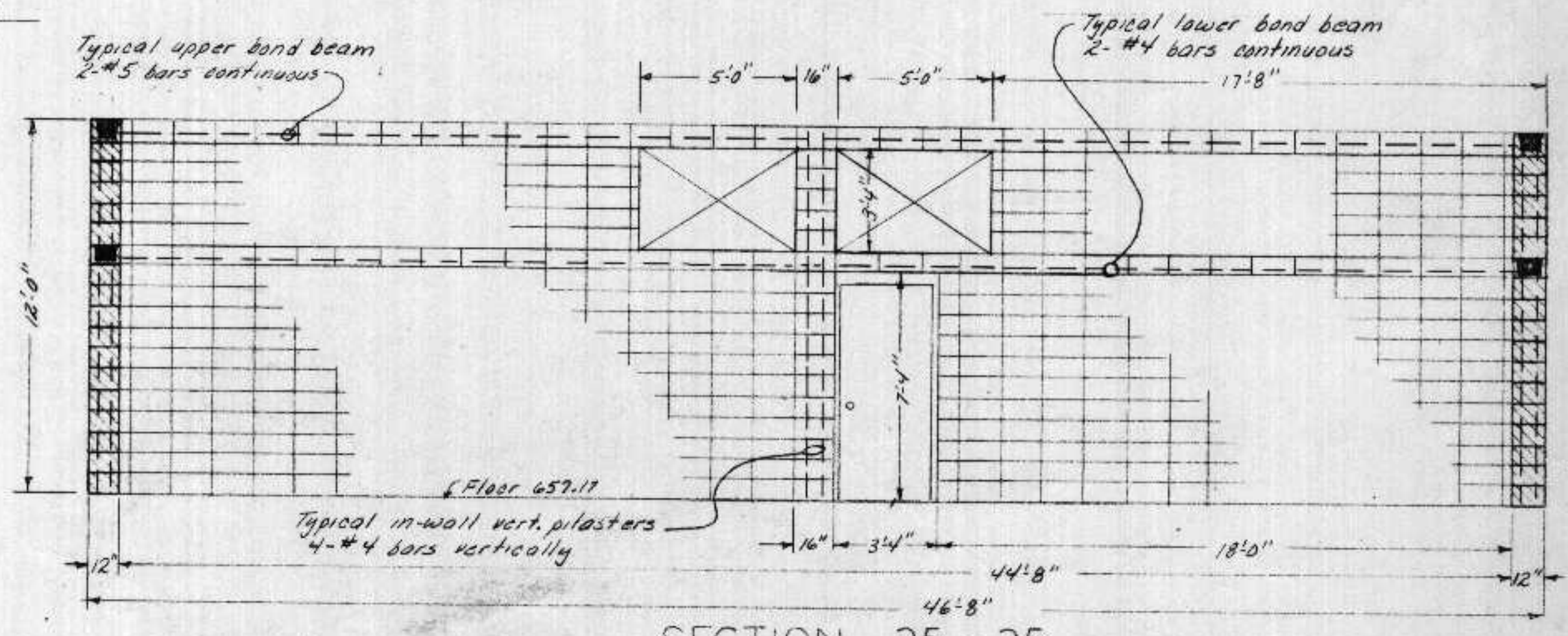
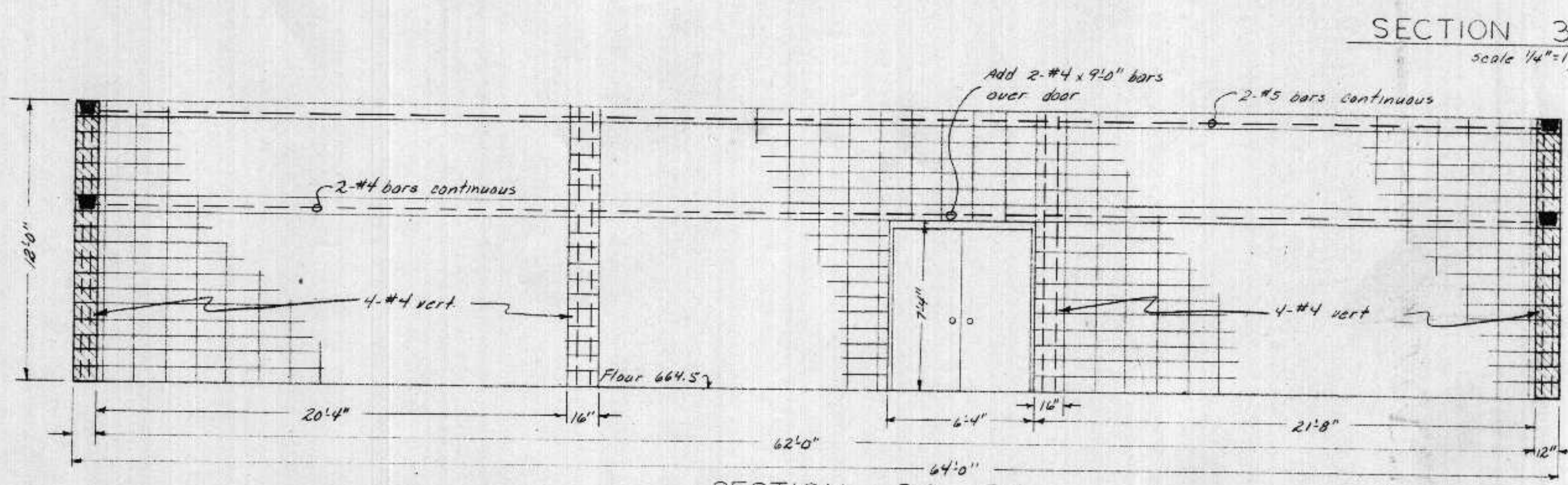
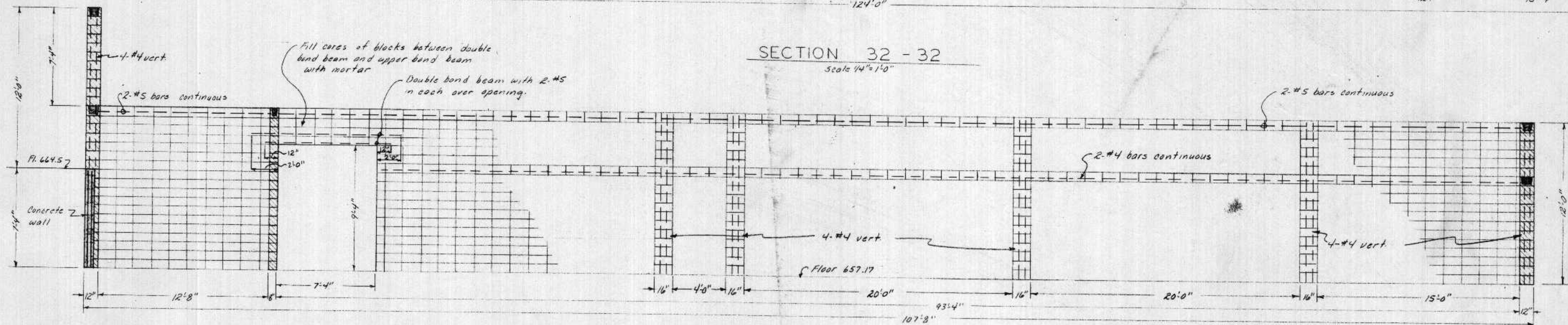
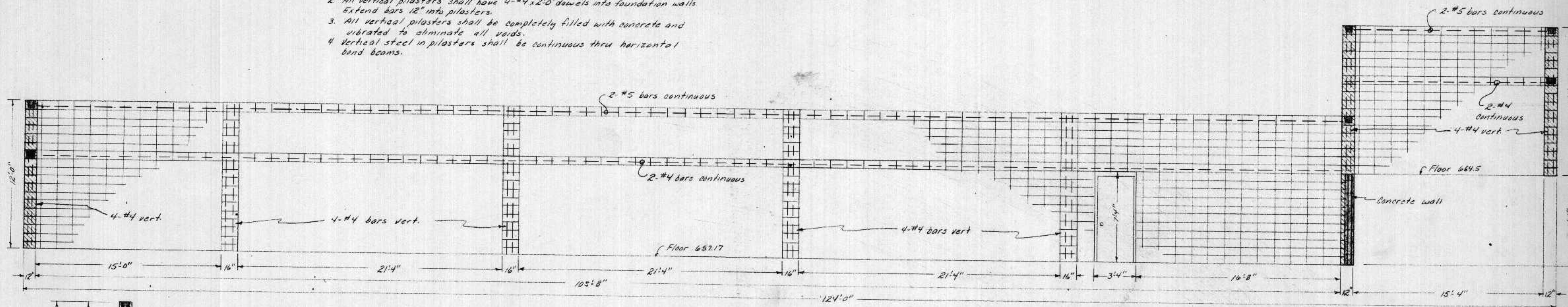
SECTION 44-44
Scale 1/4" = 1'-0"

SECTION 45-45
Scale 1/4" = 1'-0"

SECTION 46-46
Scale 1/4" = 1'-0"

NOTES:

1. Masonry walls are shown from top of concrete floors to roof slab level. See structural sheets for concrete floors and walls. See sheet 57 for masonry required around roof slabs and tees.
2. All vertical pilasters shall have 4-#4 x 2'-0" dowels into foundation walls. Extend bars 12" into pilasters.
3. All vertical pilasters shall be completely filled with concrete and vibrated to eliminate all voids.
4. Vertical steel in pilasters shall be continuous thru horizontal band beams.



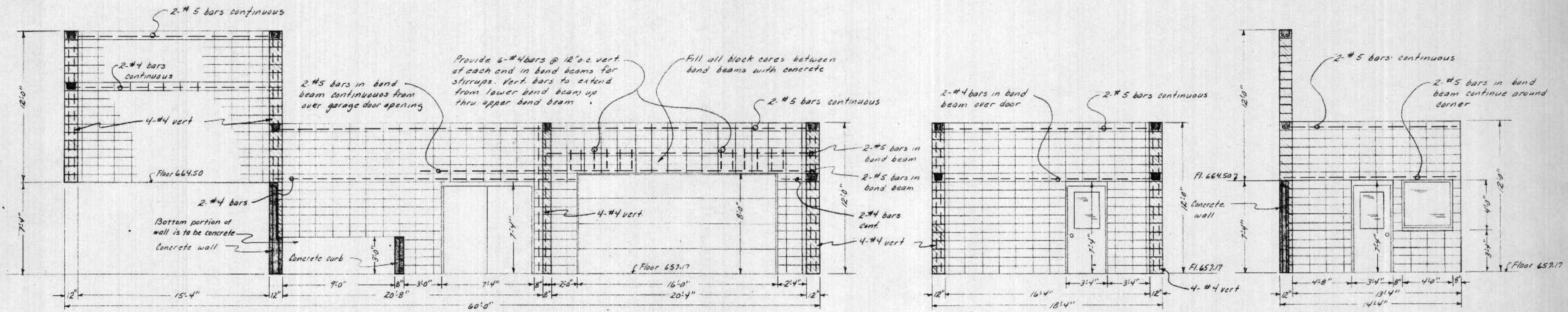
I HEREBY CERTIFY THAT THIS PLAN WAS PREPARED BY ME OR UNDER MY CLOSE PERSONAL SUPERVISION AND THAT I AM A REGISTERED PROFESSIONAL ENGINEER UNDER THE LAWS OF THE STATE OF WISCONSIN.
DATE: 3/16/76 REG. NO. 512949 Robert W. Rosene

SURVEY	DATE	REVISIONS
DRAWN	DATE	
DESIGN	DATE	
APP'D	DATE	

BONESTROO, ROSENE, ANDERLIK & ASSOC., INC.
ST. PAUL, MINNESOTA

SUPERIOR, WISCONSIN
DATE: FEB. 16, 1976 COMM 6888E

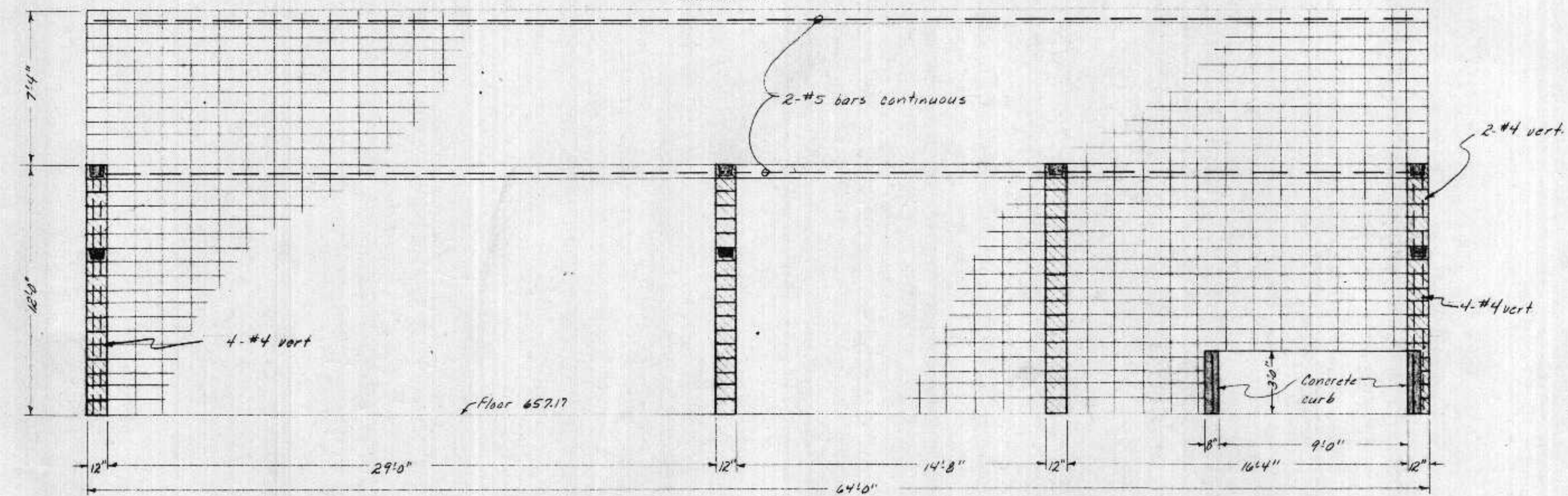
SOUTH SUPERIOR CSO PLANT
MASONRY - STRUCTURAL



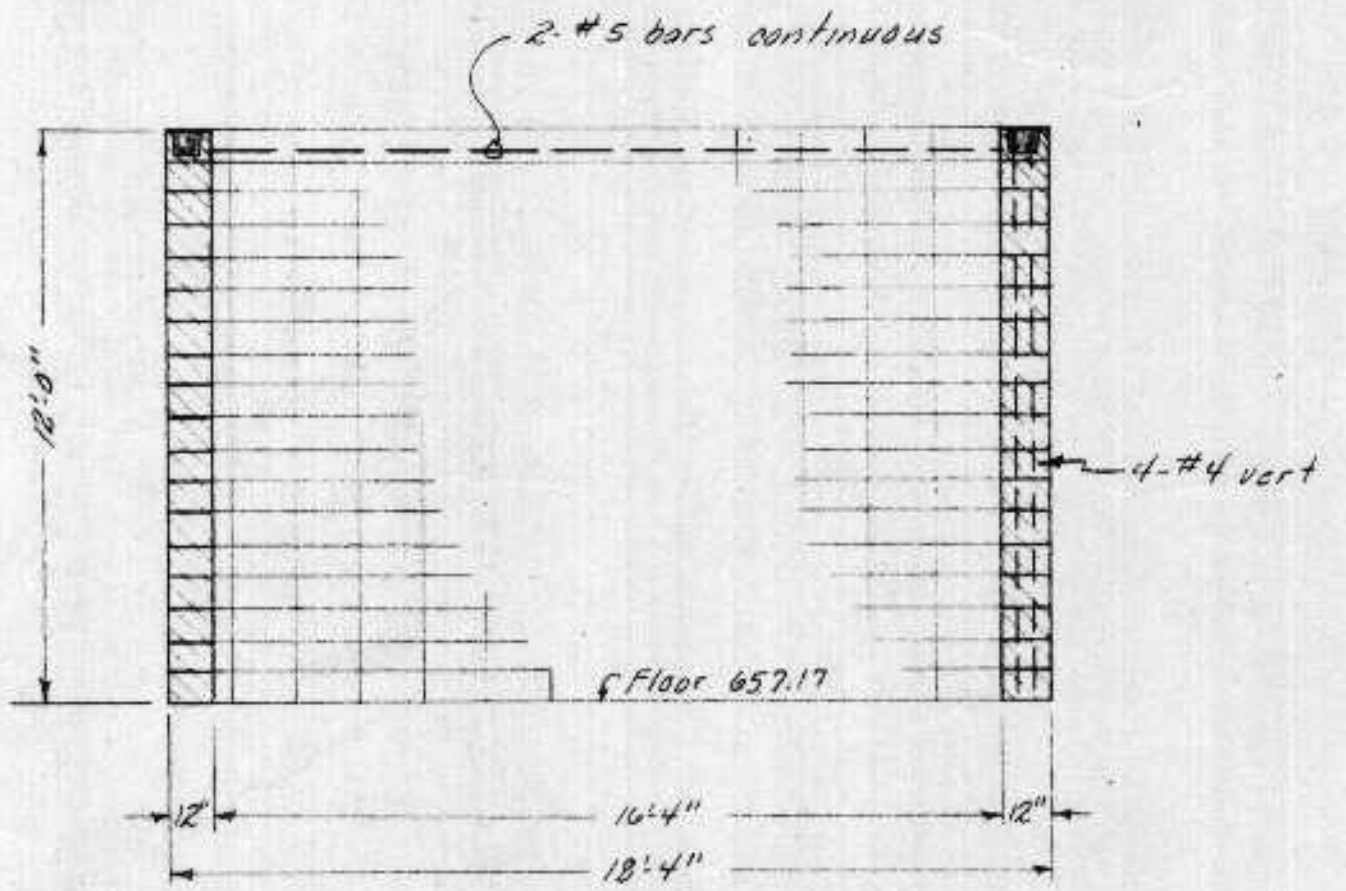
SECTION 36 - 36
Scale 1/4" = 1'-0"

SECTION 37 - 37
Scale 1/4" = 1'-0"

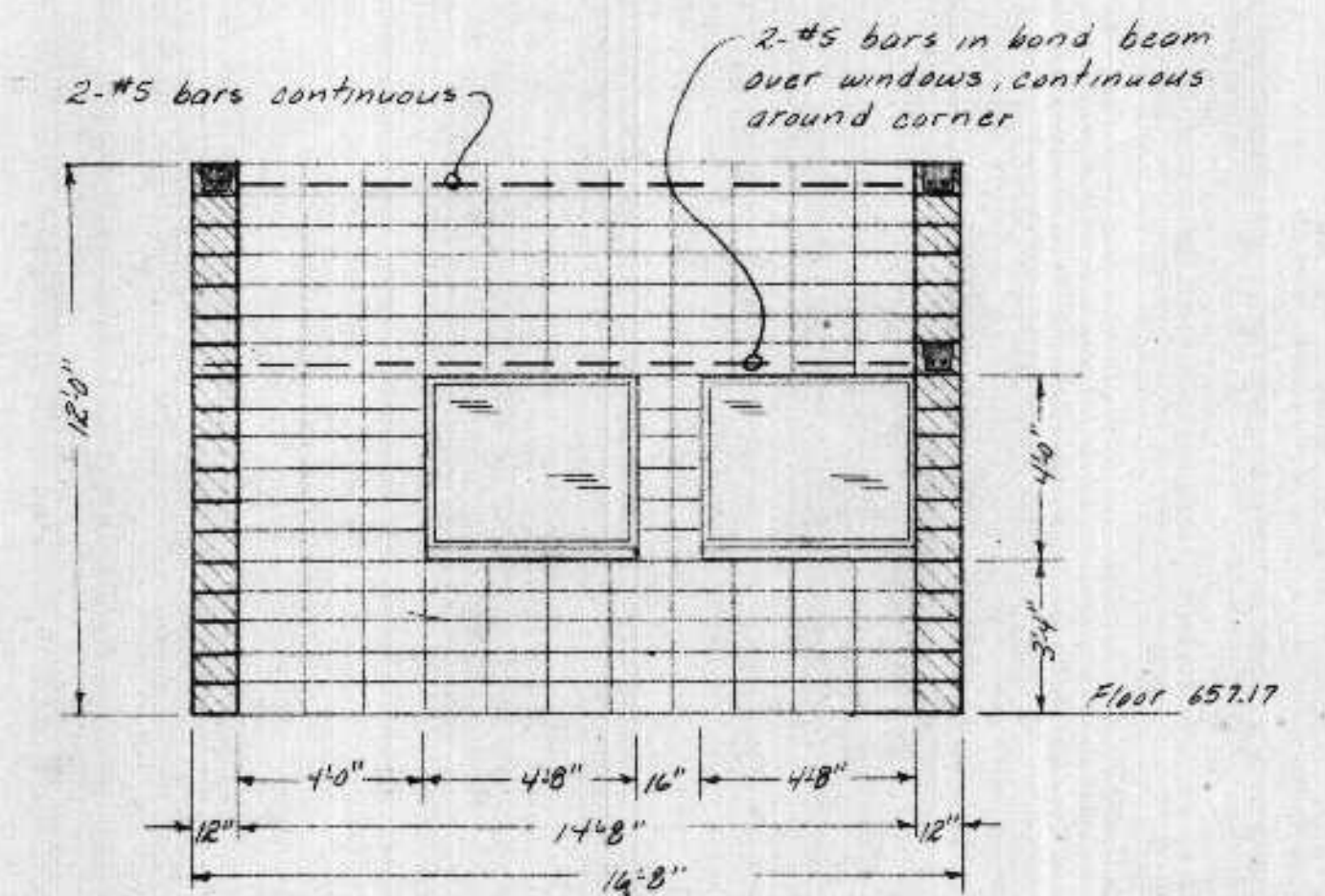
SECTION 38 - 38
Scale 1/4" = 1'-0"



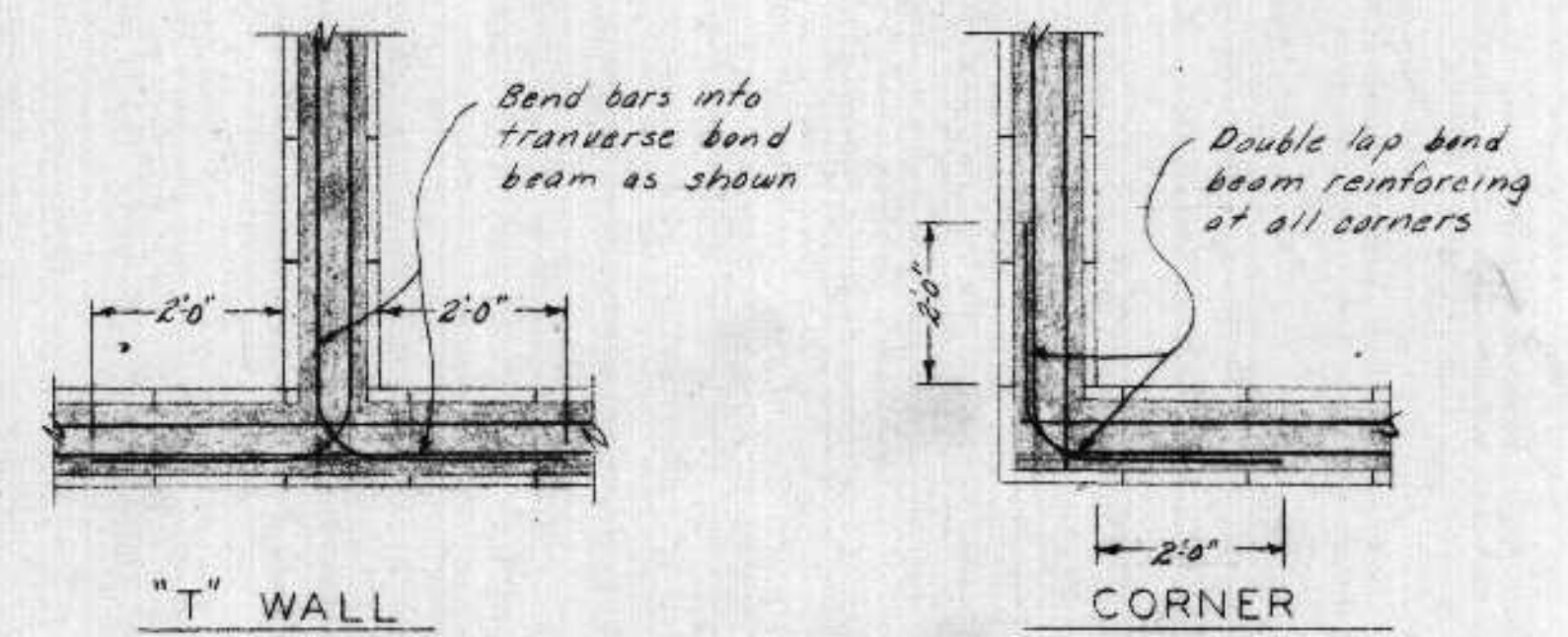
SECTION 39 - 39
Scale 1/2" = 1'-0"



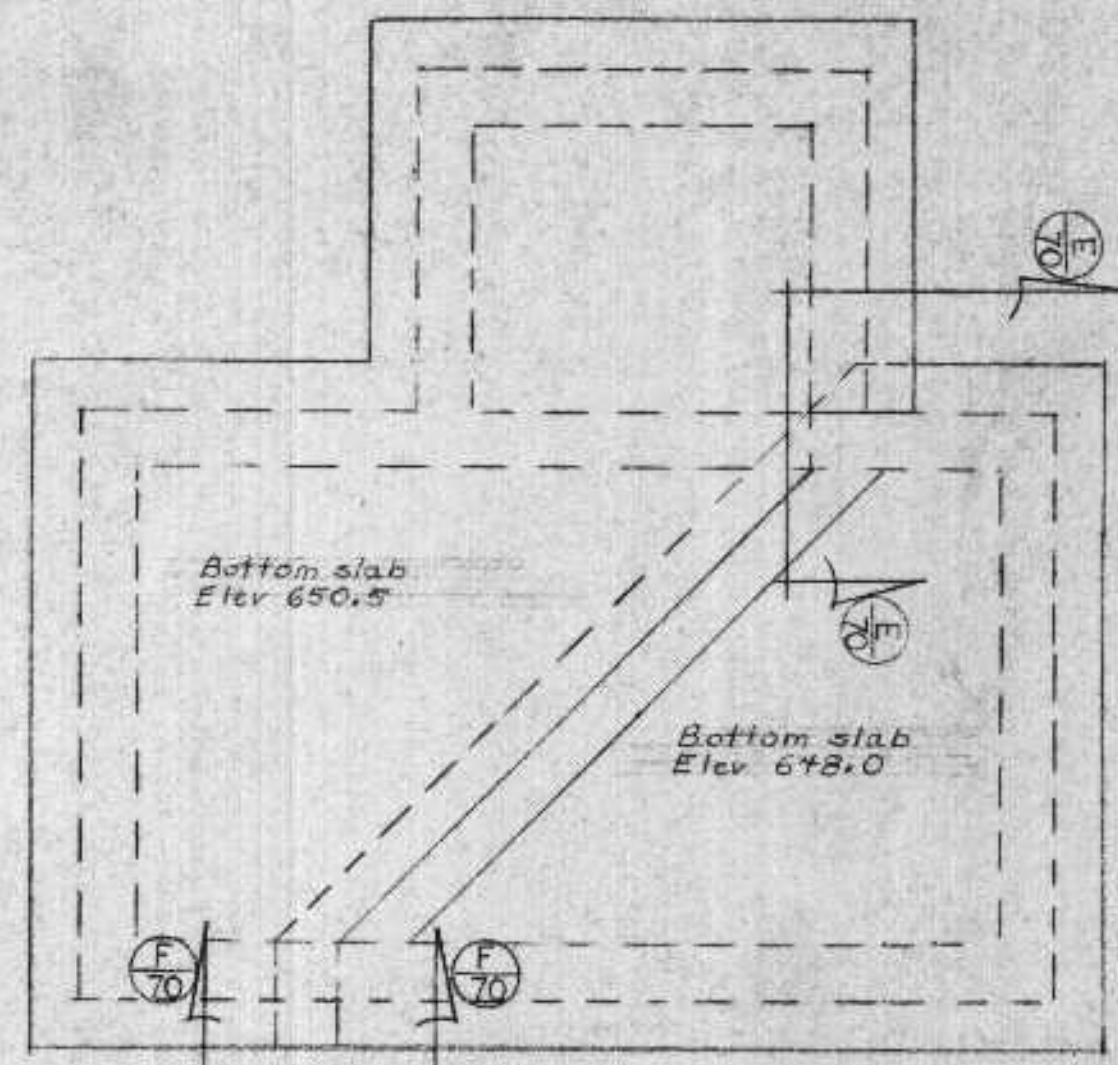
SECTION 40 - 40
Scale 1/4" = 1'-0"



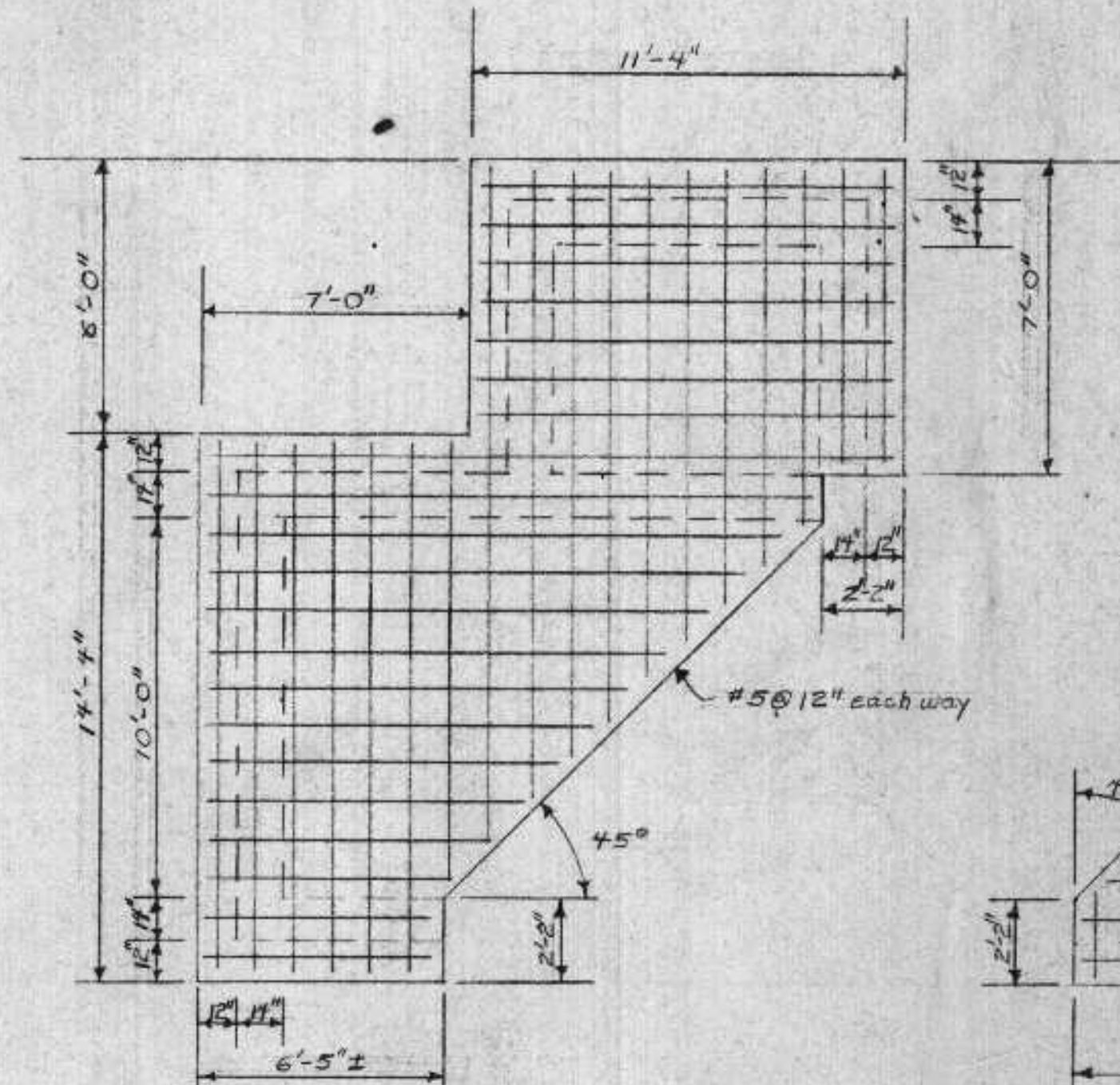
SECTION 41 - 41
Scale 1/4" = 1'-0"



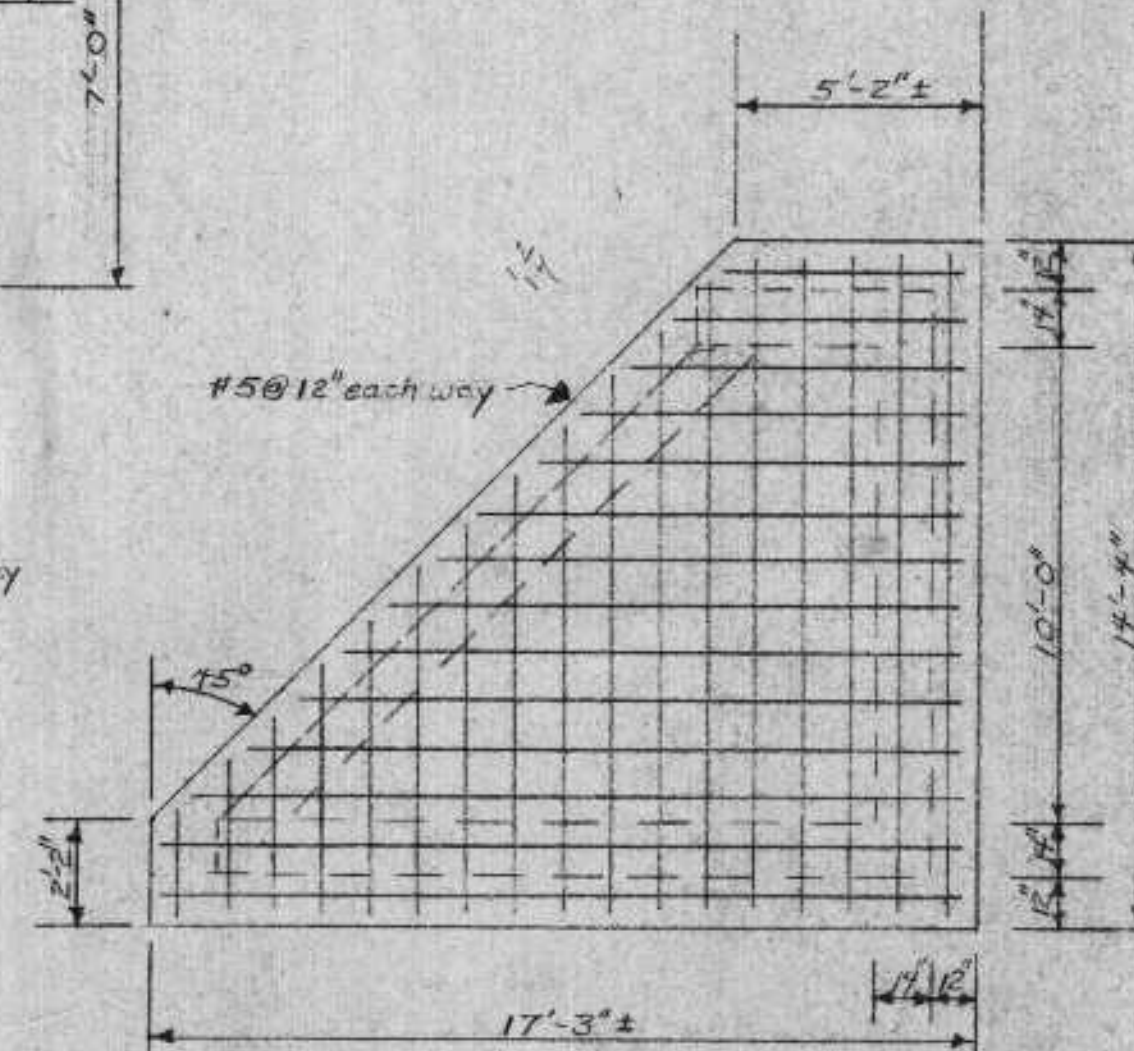
BOND BEAM DETAILS
Scale 1/2" = 1'-0"



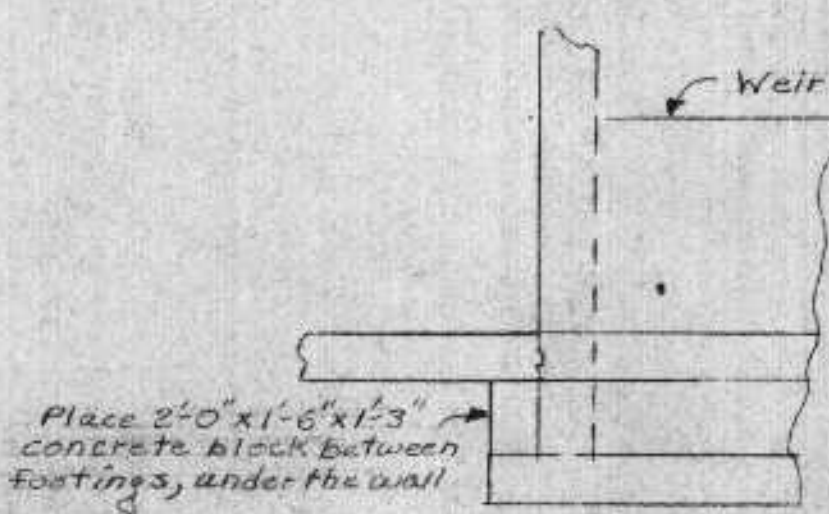
BOTTOM SLAB PLAN



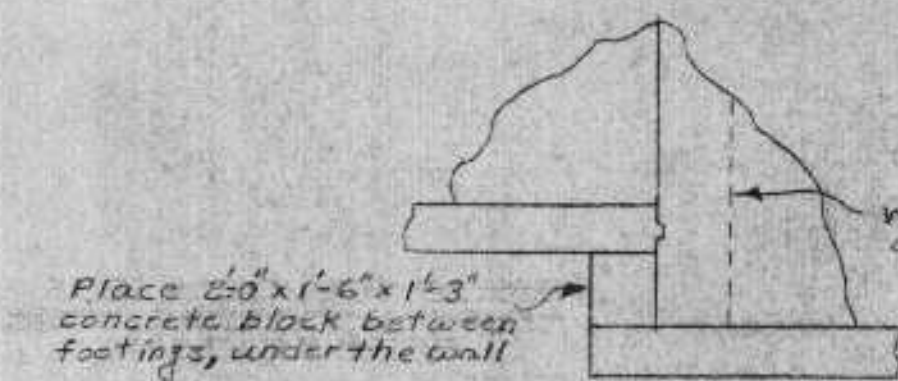
BOTTOM SLAB ELEV 650.5



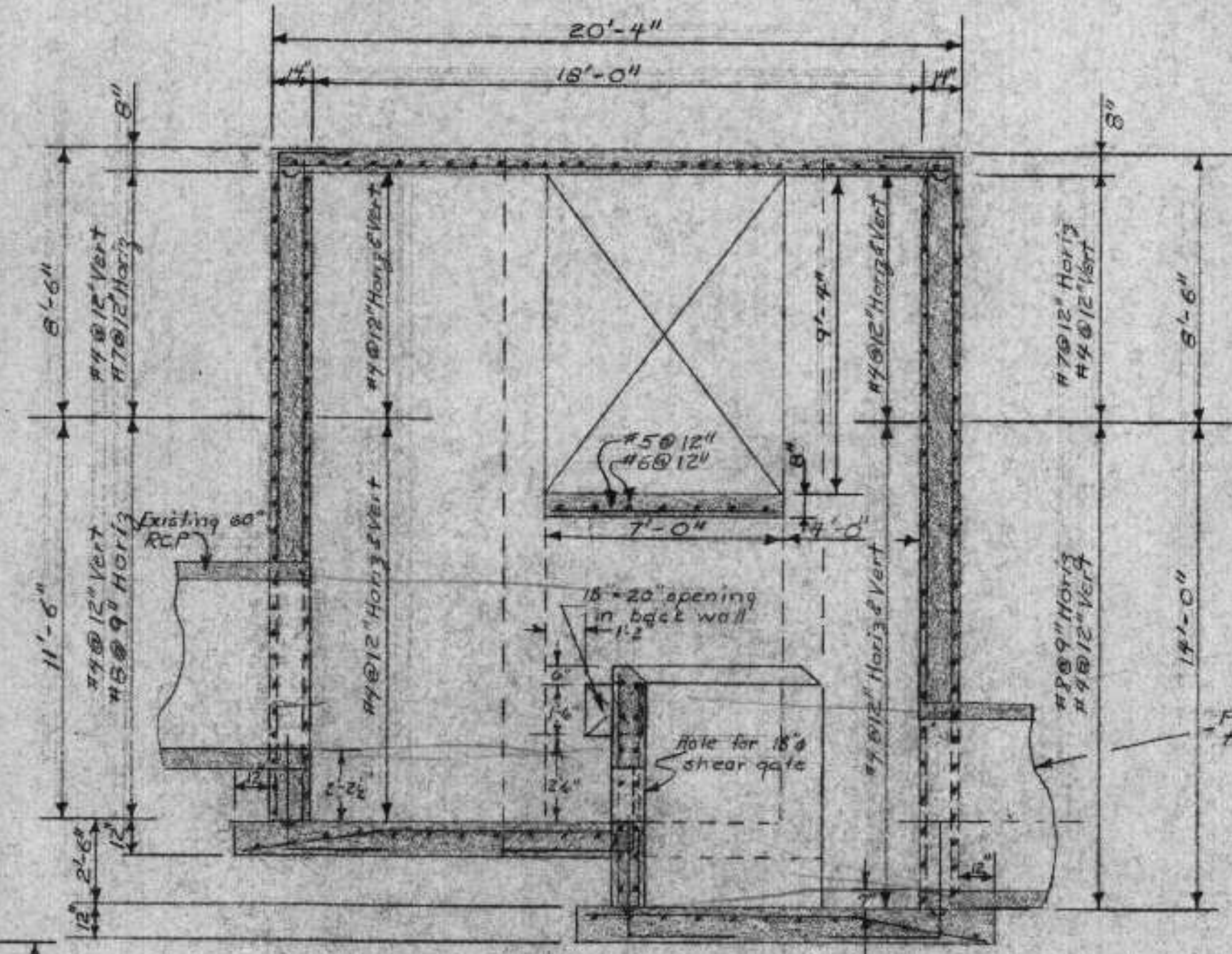
BOTTOM SLAB ELEV 648.0



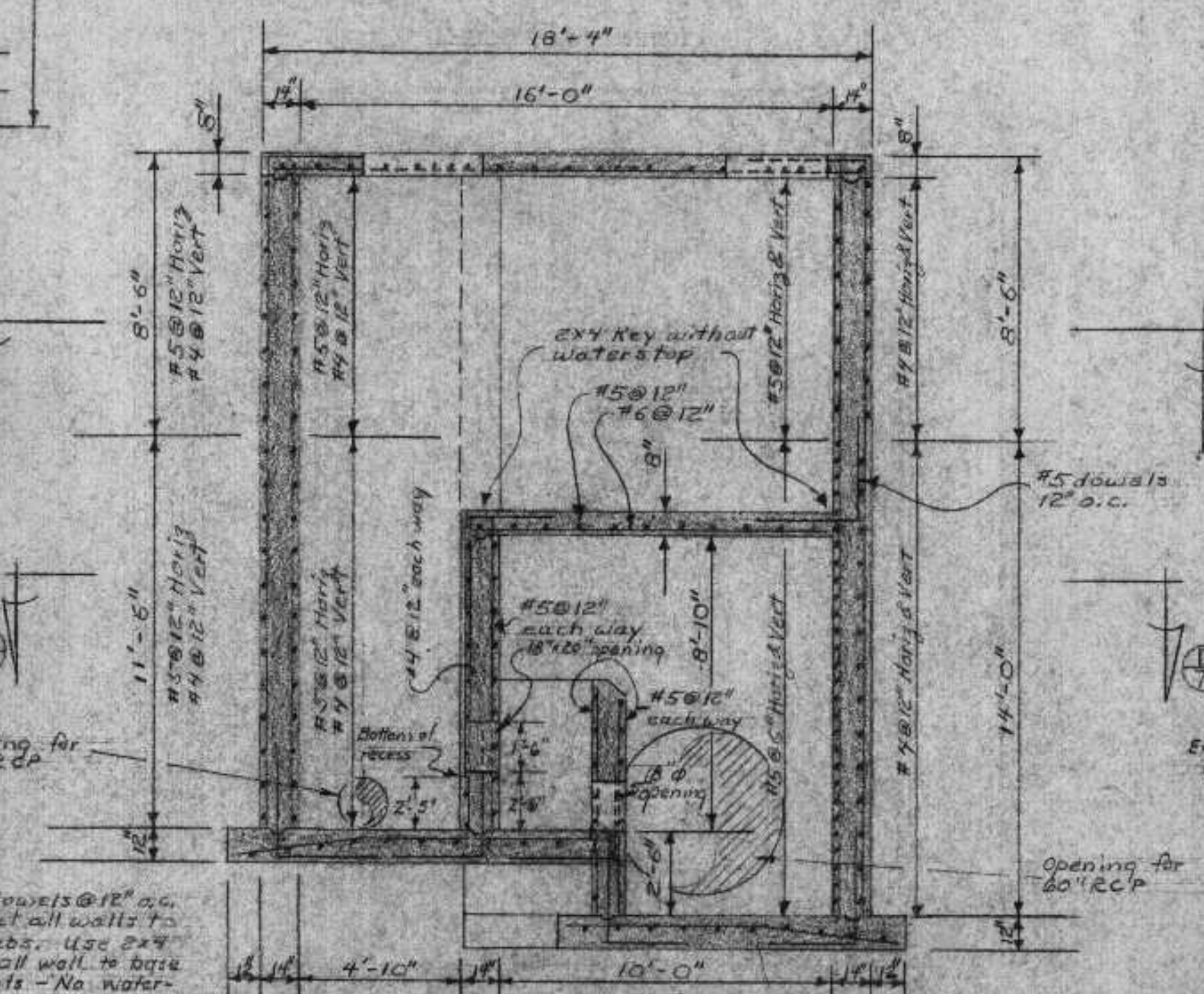
SECTION-EE



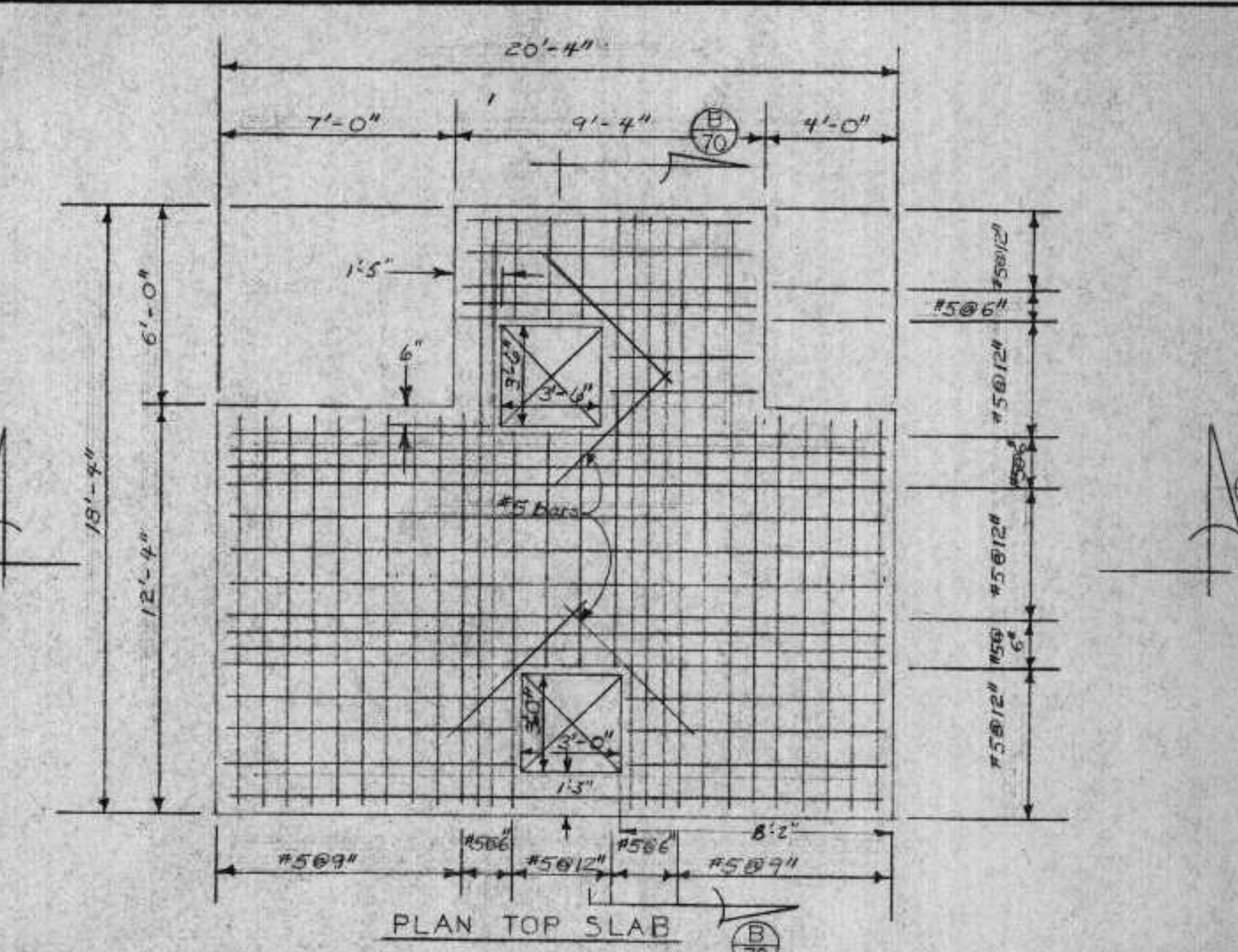
SECTION-FF



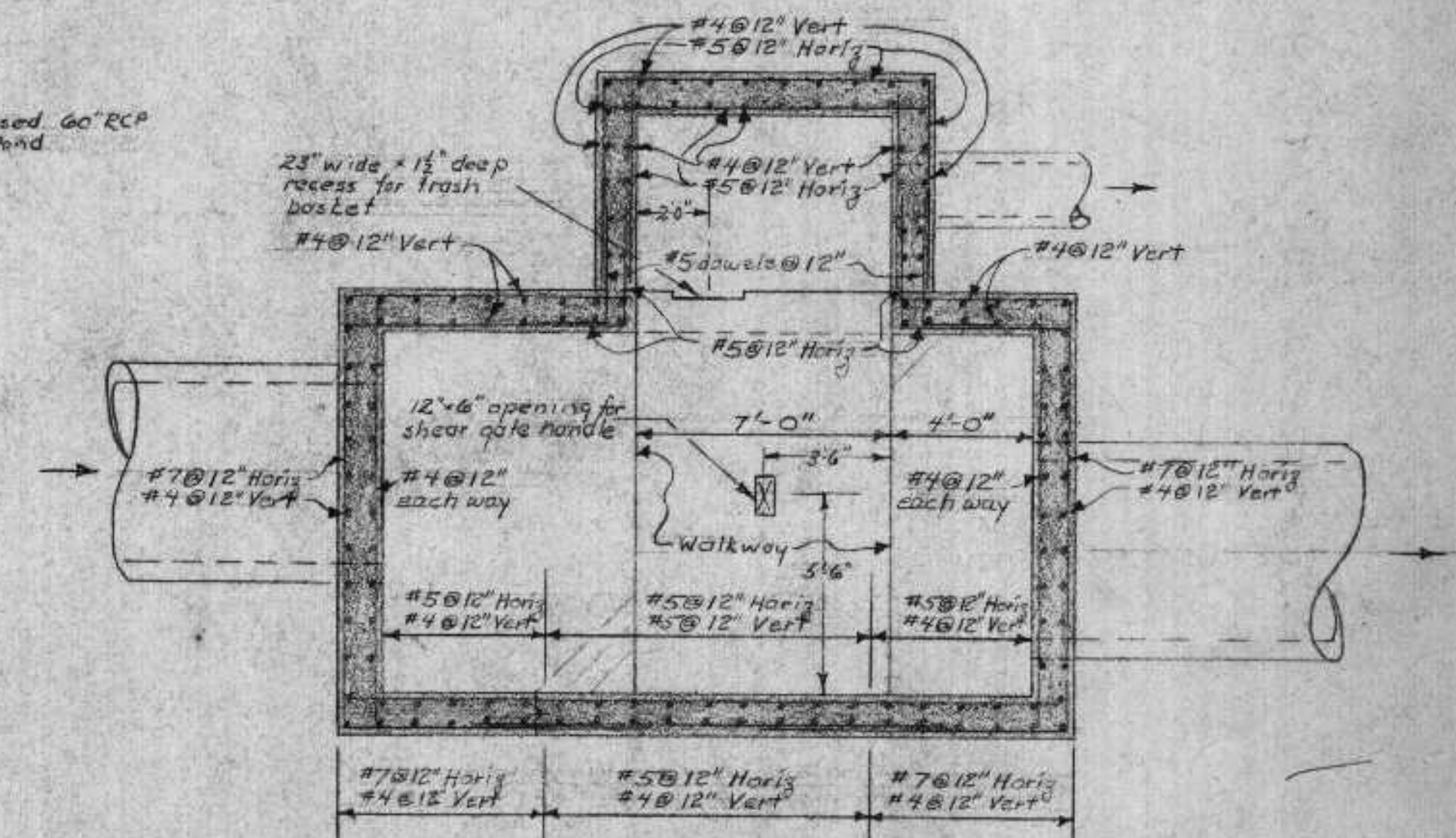
ELEVATION-AA



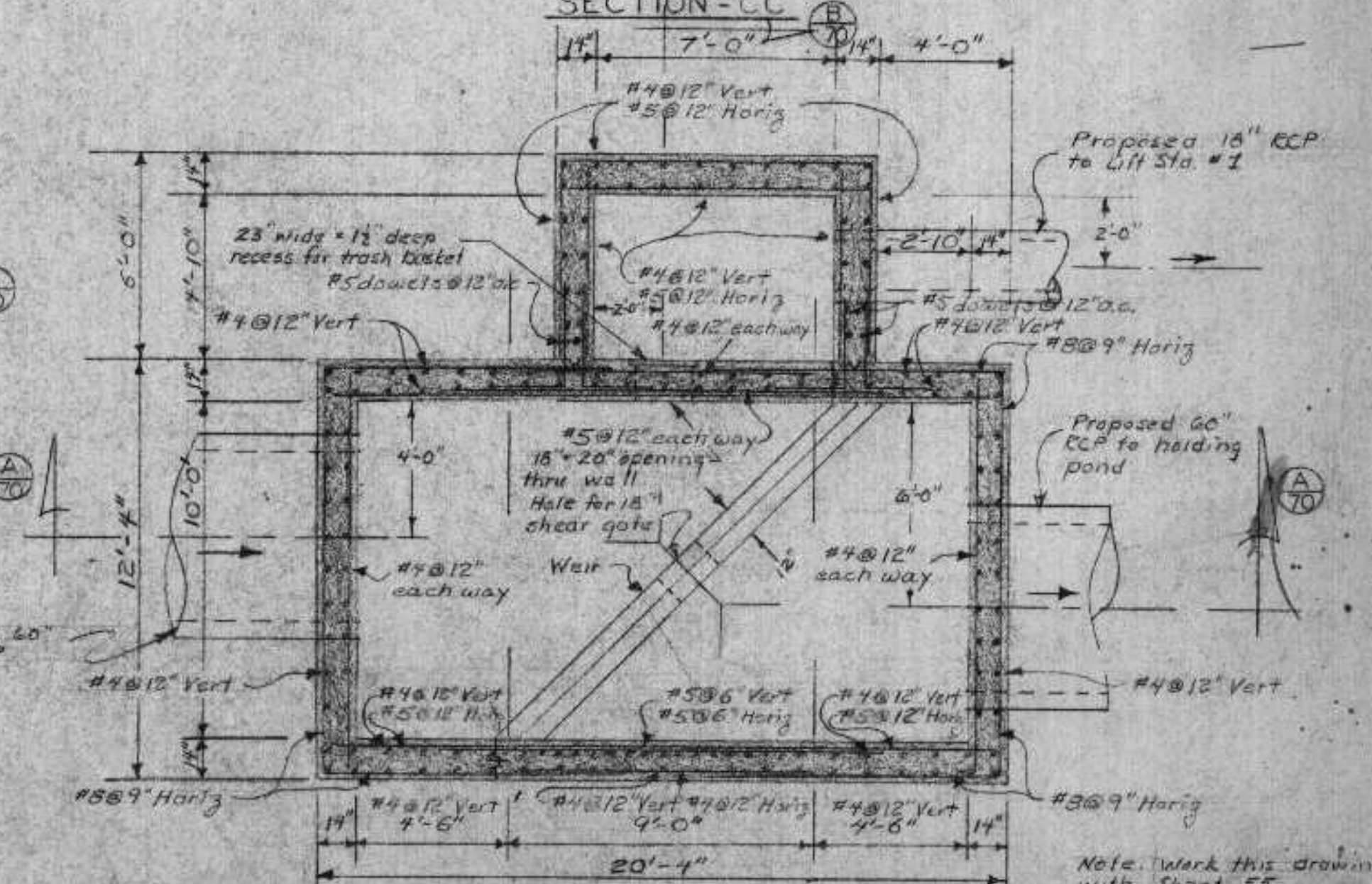
SECTION-BB



PLAN TOP SLAB



SECTION-CC



SECTION-DD

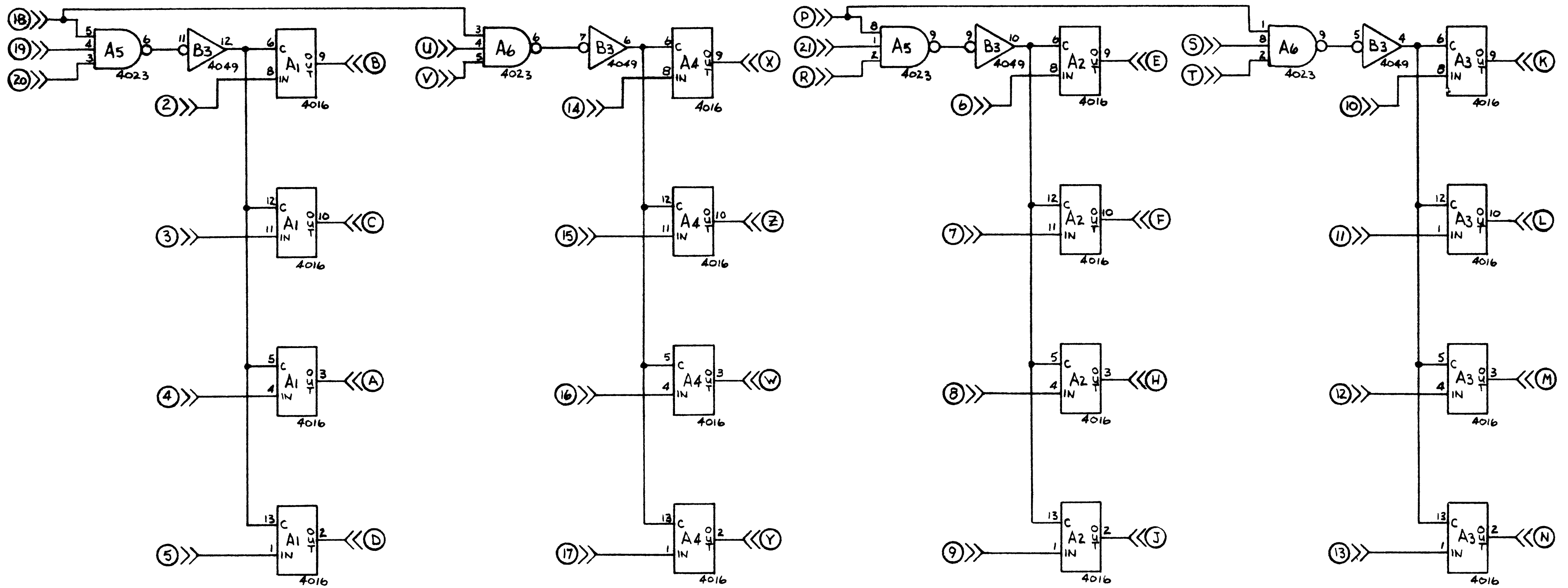
Use #6 dowels @ 12" o.c. to connect all walls to base slabs. Use 2x4 keys at all wall to base slab joints - No water-stop necessary in this structure.

NO.	DATE	REVISIONS

ROBESTROO, ROSENE, ANDERLIK & ASSOC., INC.
ST. PAUL, MINNESOTA

SUPERIOR, WISCONSIN
DATE: FEB. 11, 1976 COMM 6888E

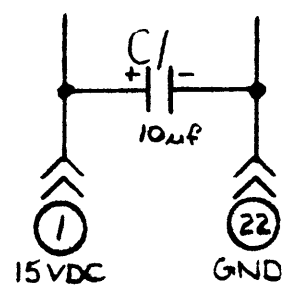
SOUTH SUPERIOR CSO PLANT
OVERFLOW STRUCTURE - STRUCTURAL



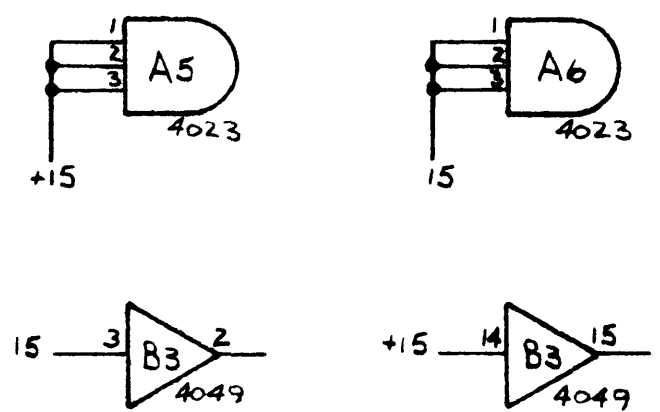
4049 CHIPS → +15 → PIN 1 & 16
 GND → PIN 8

4016 CHIPS → +15 → PIN 14
 GND → PIN 7

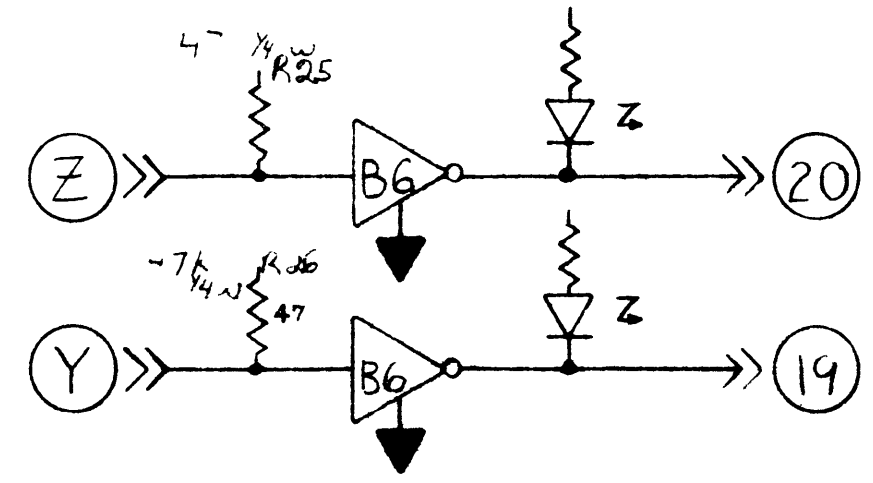
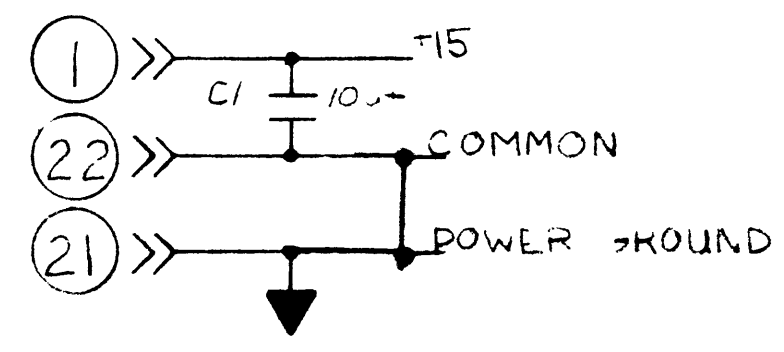
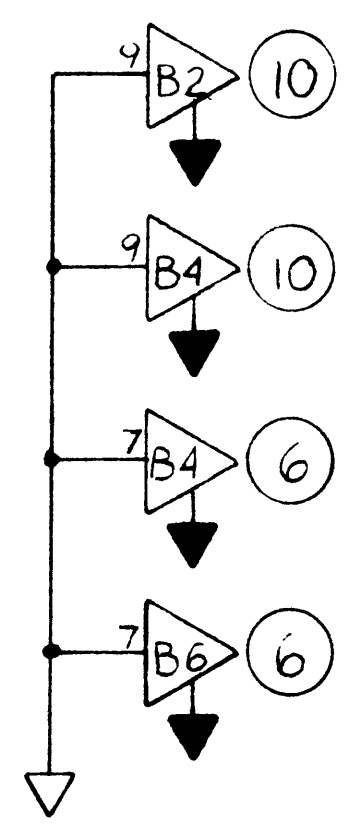
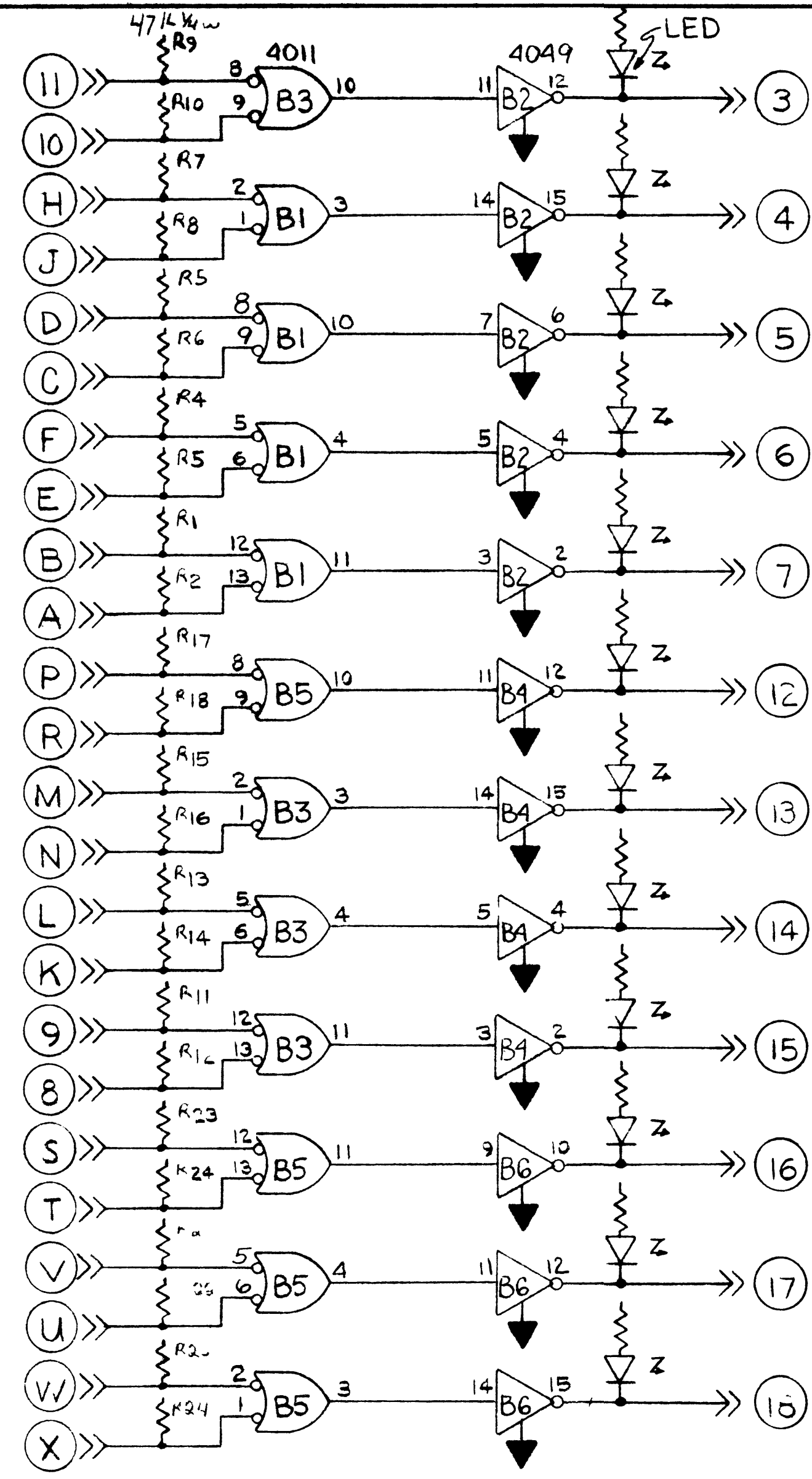
4023 CHIPS → +15 → PIN 14
 GND → PIN 7



SPARES



DRAW		8-1 75		VISION	
CHECK				A	
APP				edison controls inc	
C				2842 E. W. AV. NORTH T. PAUL, MINN.	
16 BIT MUX		DRAWING NO. 102		REV. A	

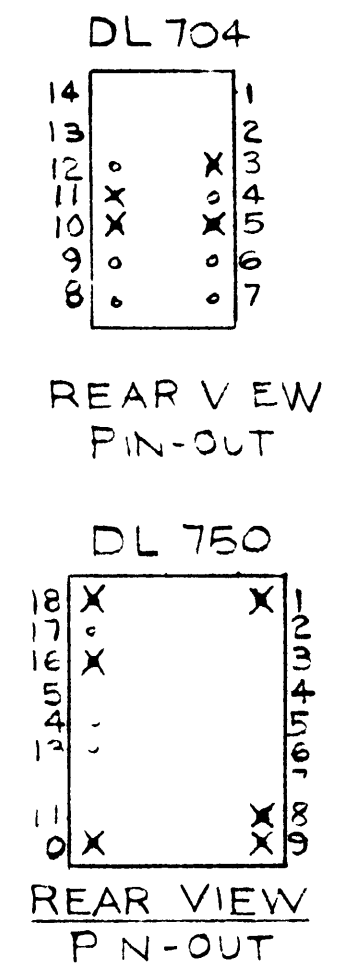
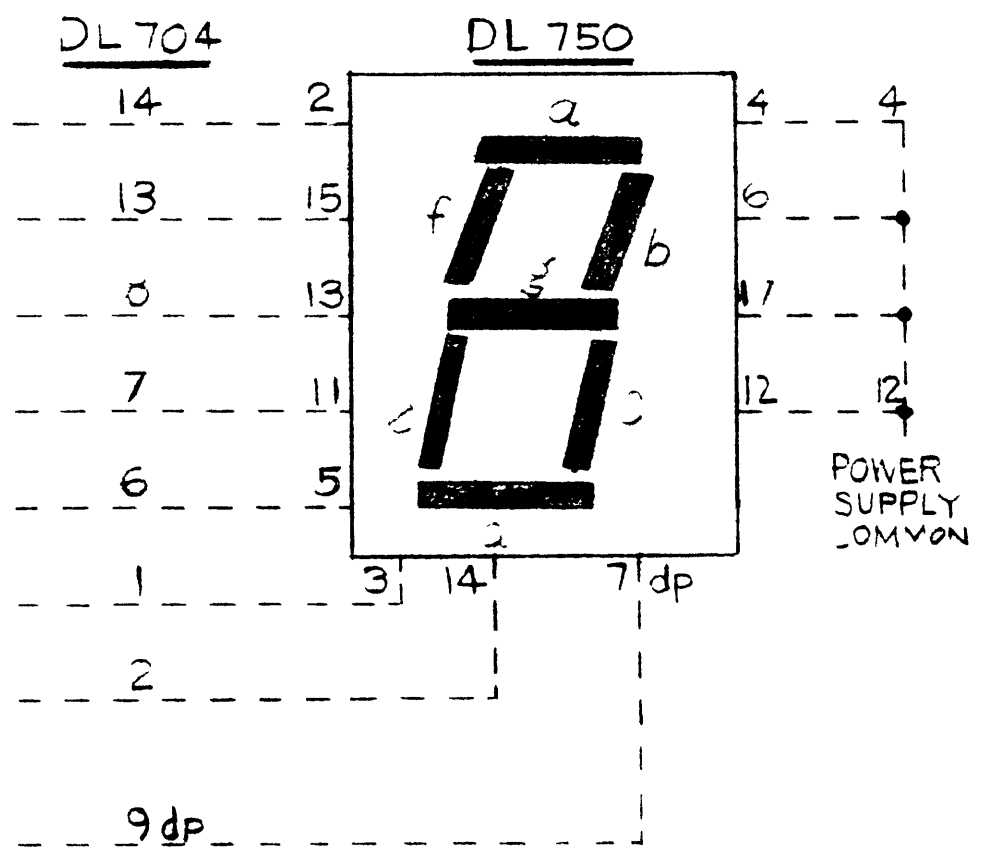
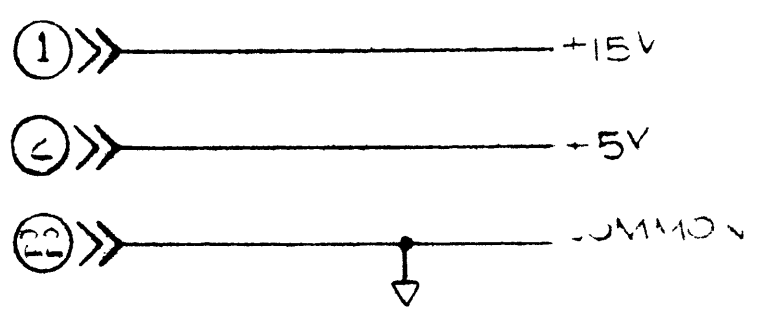
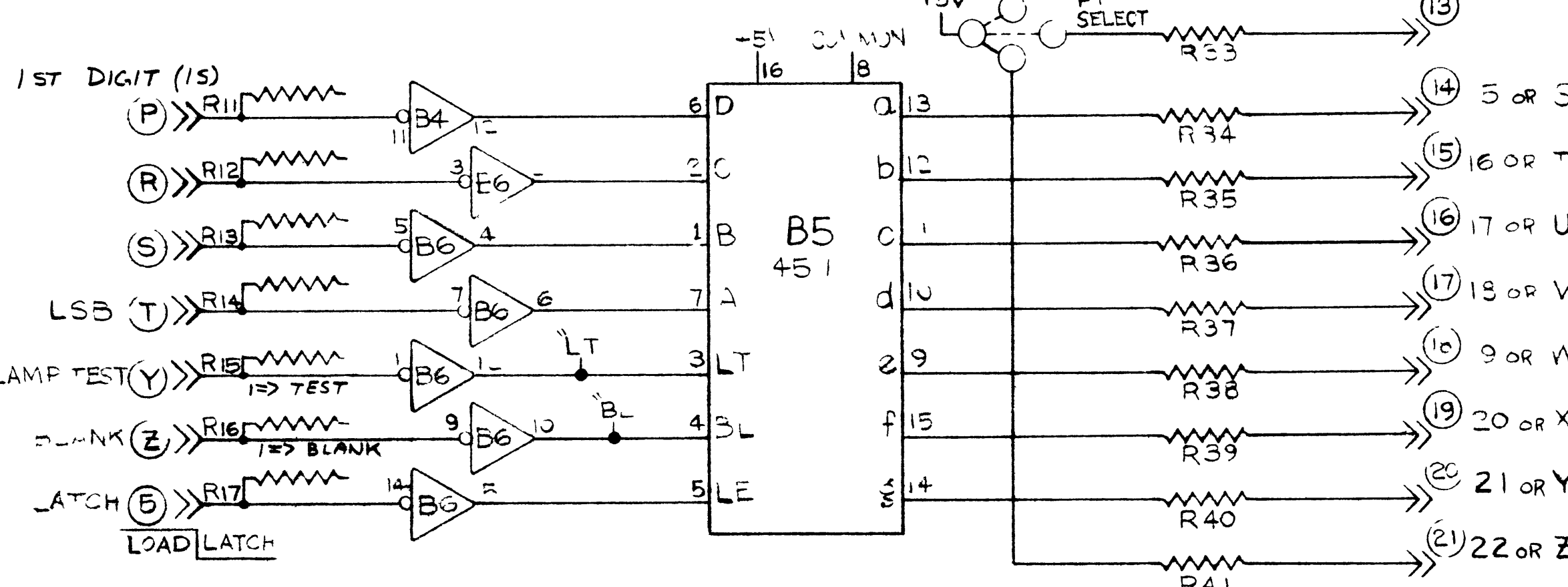
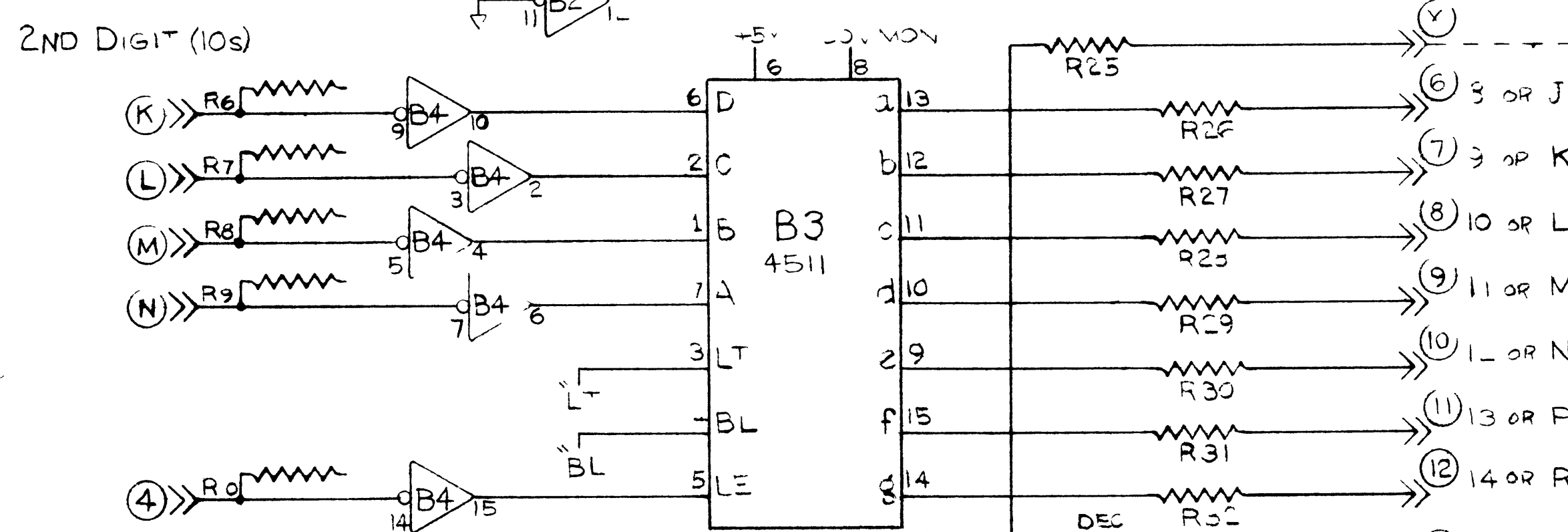
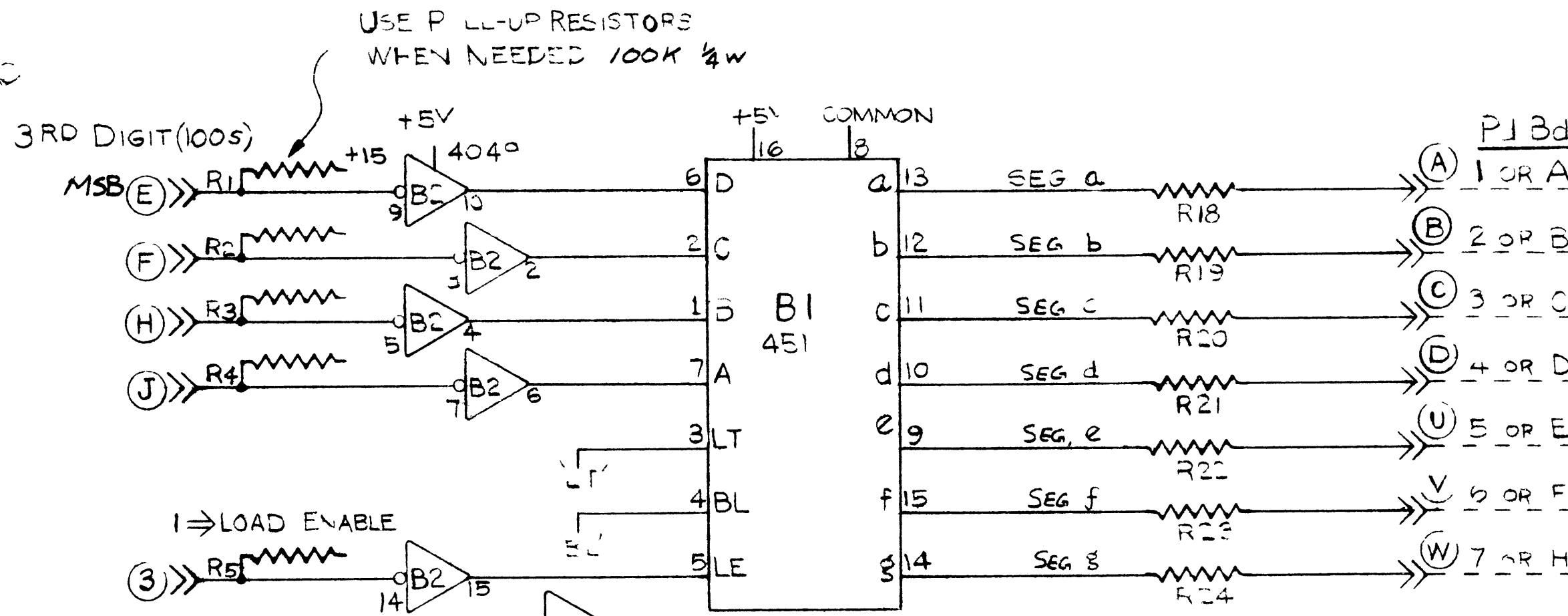


LEDs + resistor as per 1

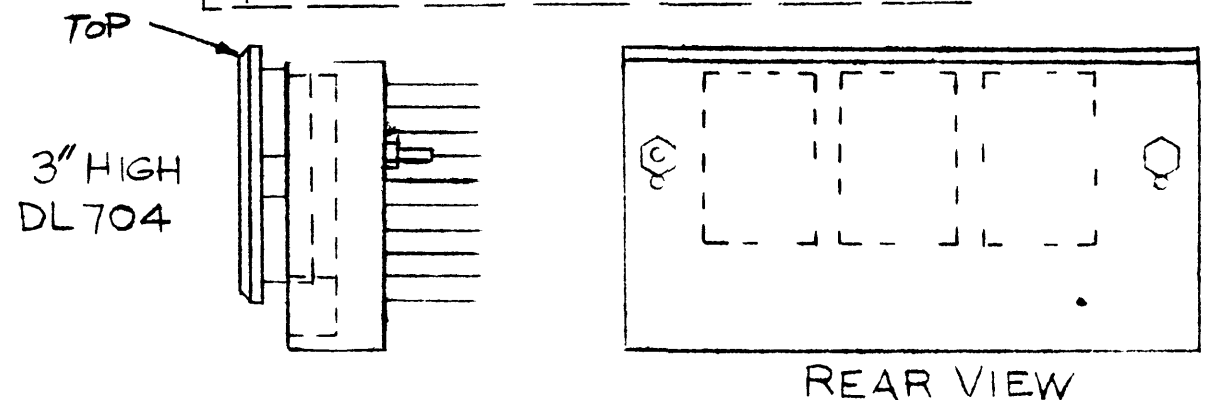
C	REVISED ORDER	1-21-78
B	POWER GROUND TO LOGIC GROUND	
VISIONS		

DESIGN: JE 1	DATE: 2-11-75	 256 E. 7th AVE. NORTH T. PAUL, MINN.
CHECKED:	PROBING BY:	
APPROVED: CB	DATE: 2-11-75	PROJECT NO.:
TITLE: OR LOGIC CARD		DRAWING NO. 101-0
		DESIGNED BY: C

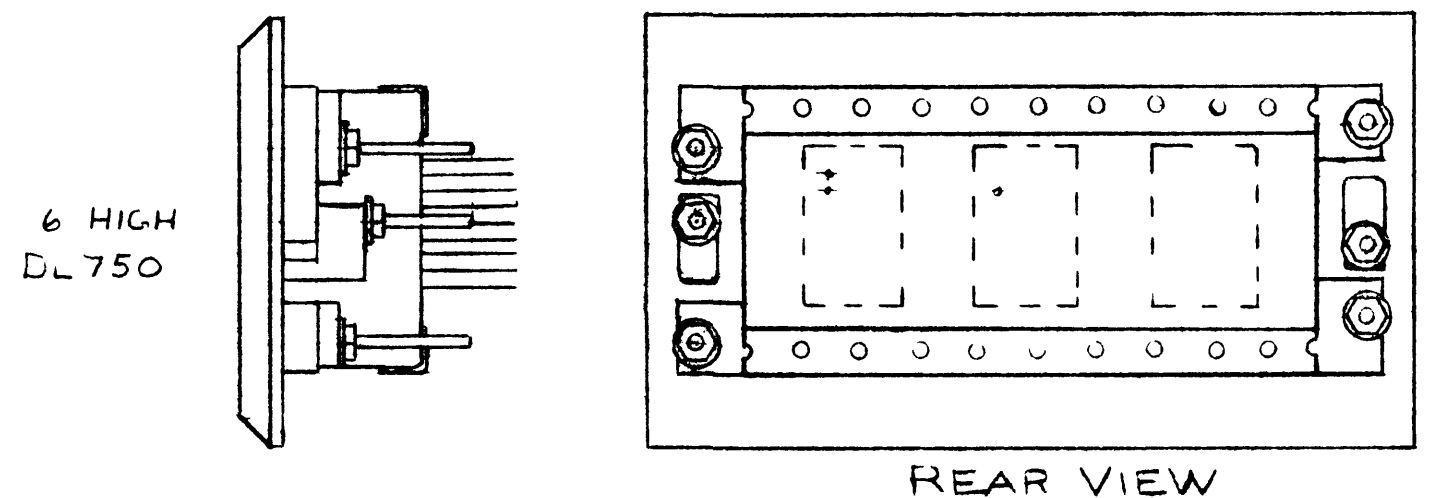
X INDICATES PINS ARE OMITTED



DL 704 (3)
5VOLT DRIVE USE 100Ω 1/4W RESISTOR
dp USE 160Ω 1/4W
15VOLT DRIVE USE 620Ω 1/4W
dp USE 680Ω 1/4W



DL 750 (6)
5VOLT DRIVE USE 27Ω 1/4W RESISTOR
dp USE 68Ω 1/4W
15VOLT DRIVE USE 560Ω 1/4W
dp USE 620Ω 1/4W



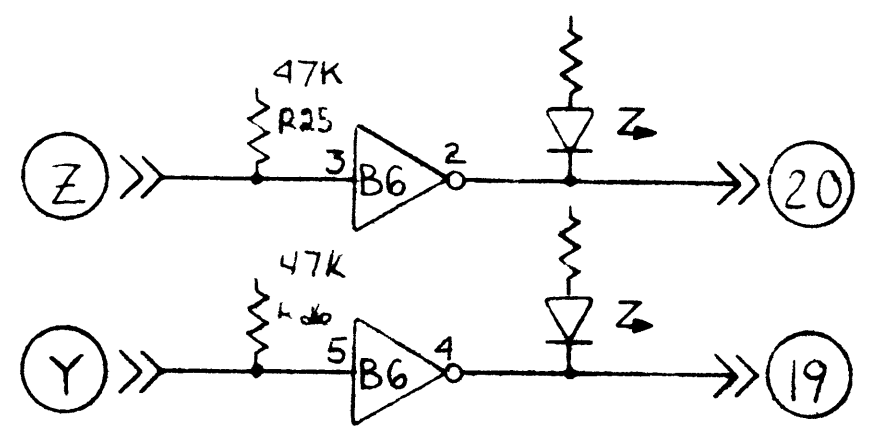
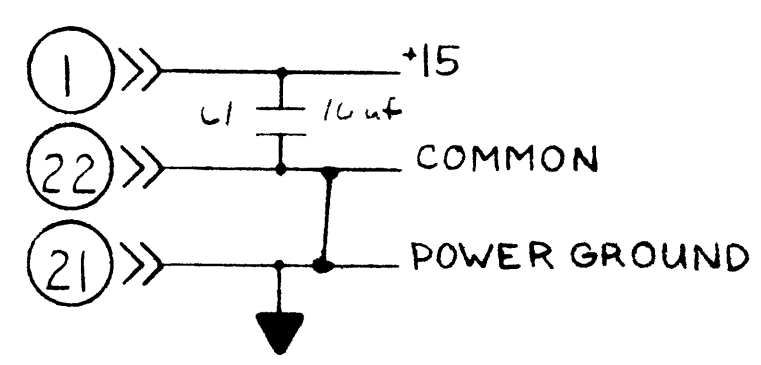
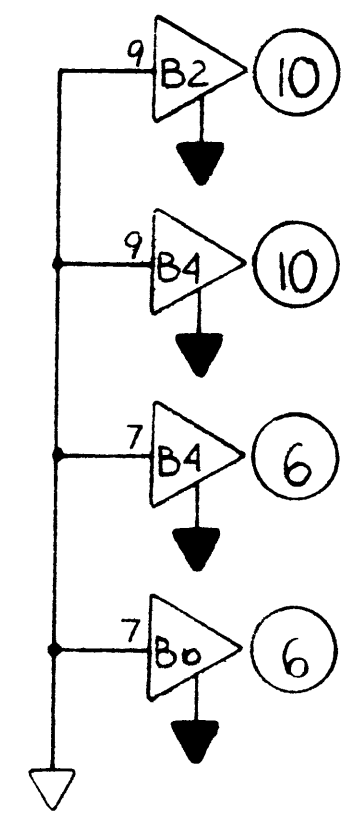
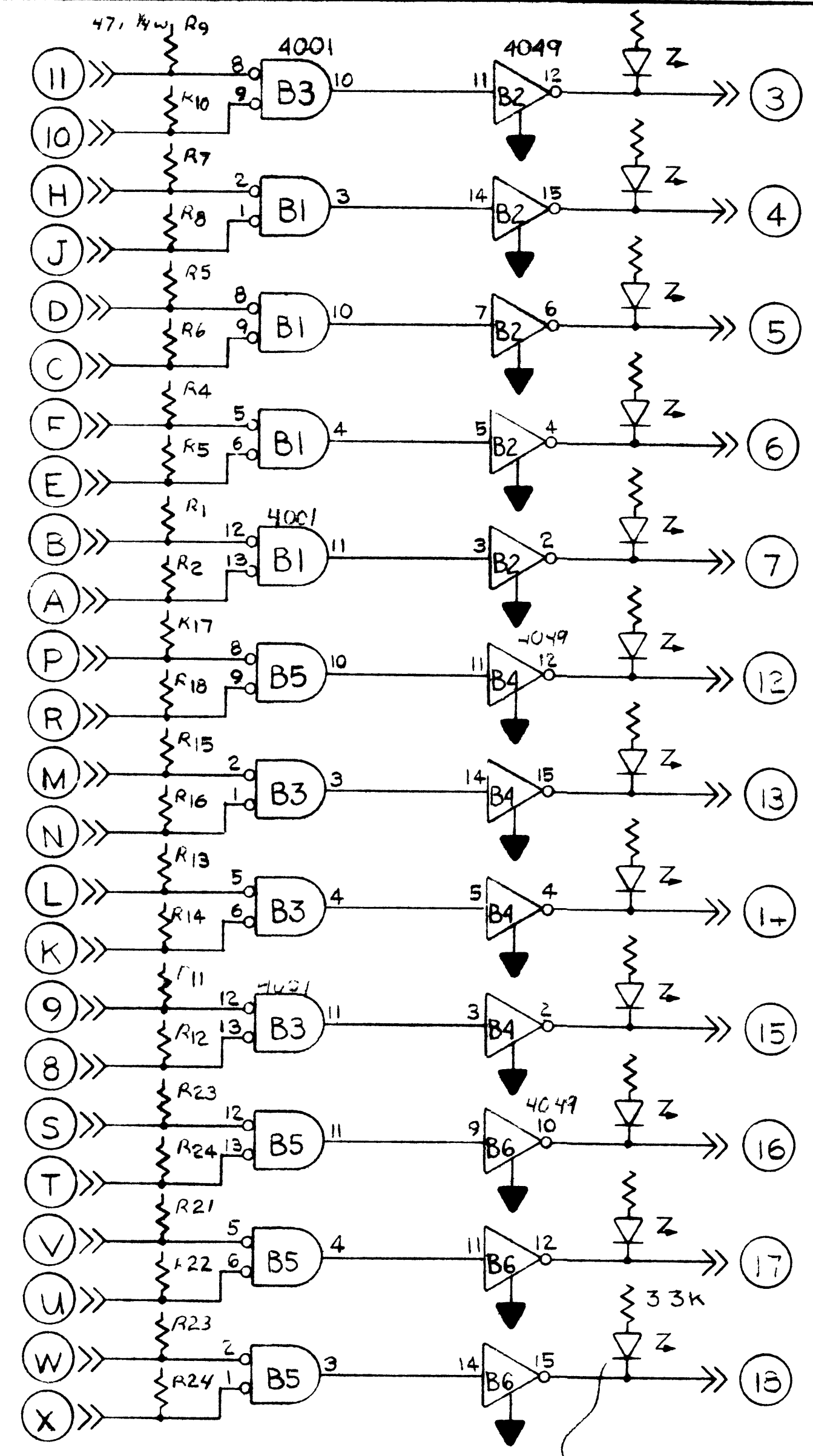
REVISIONS

A ADDED READOUT PIN CONFIGURATION 10 25 78

edison controls inc
2802 E. 7TH AV. NORTH ST. PAUL, MINN.

2 & 3 DIGIT DISPLAY DRIVER

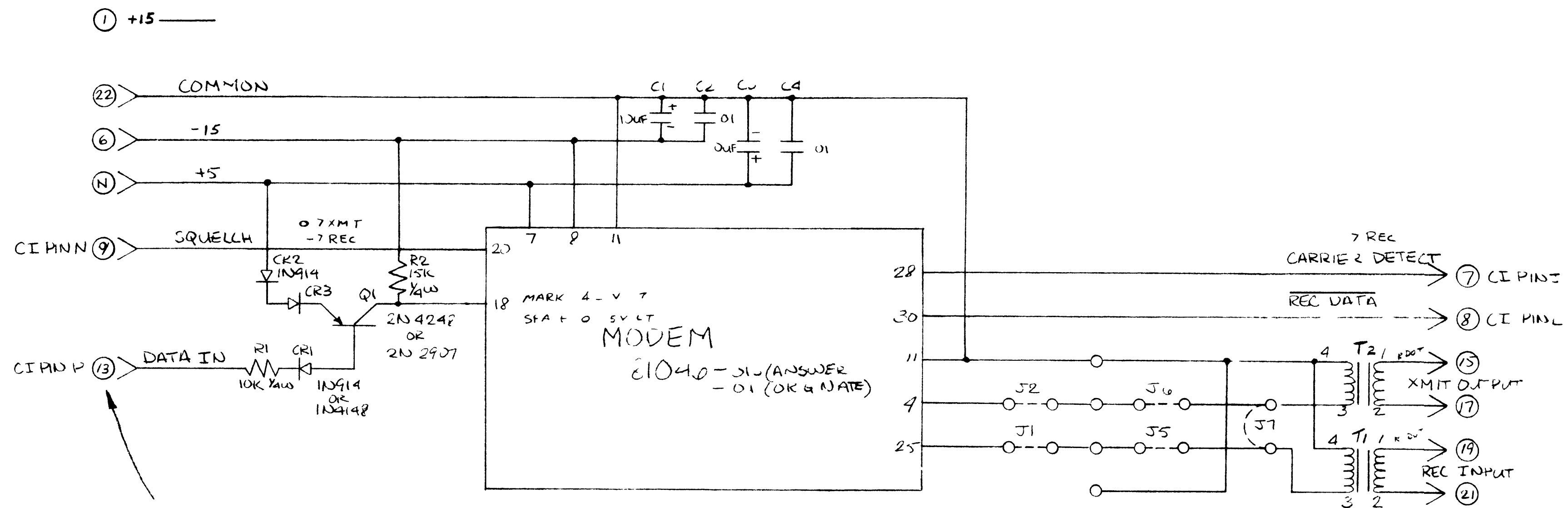
DRAWING NO. 107



LEDs to be added as required

DESIGNED BY JEJ	DATE		<table border="1"> <tr> <td>C</td> <td>REVISED TERMINAL ORDER</td> <td>11-4-78</td> </tr> <tr> <td>B</td> <td>POWER GROUND TO LOGIC GROUND</td> <td></td> </tr> </table>	C	REVISED TERMINAL ORDER	11-4-78	B	POWER GROUND TO LOGIC GROUND	
C	REVISED TERMINAL ORDER		11-4-78						
B	POWER GROUND TO LOGIC GROUND								
APPROVED BY CB	DATE 2-11-75	<table border="1"> <tr> <td>286 E. WAVE NORTH</td> <td>PAUL</td> </tr> <tr> <td></td> <td>INDIAN</td> </tr> </table>	286 E. WAVE NORTH	PAUL		INDIAN			
286 E. WAVE NORTH	PAUL								
	INDIAN								
AND LOGIC CARD		<table border="1"> <tr> <td>PROJECT #</td> <td>101-A</td> </tr> </table>	PROJECT #	101-A					
PROJECT #	101-A								

C



	ORIGINATE 011	ANSWER 03	
MARK	0 ± 5V T	1270 HZ	} XMIT
SPACE	4 ± 1V LT	2025 HZ	
	MARK	2225 HZ	} REC
	SPACE	2025 HZ	

NOTE FOR 4 WIRE INPUTS ADD JUMPER J1, J2, J5 & J6
FOR 2 WIRE ADD JUMPER J7 TO FOUR WIRE JUMP.

C ADDED MARK SPACE 8-8-77

DESIGNED BY TIM EDISON	DATE 8-28-75	 edison controls inc 2542 E. 7th AVE NORTH ST. PAUL, MINN.
CONCEPT	DATE	
APPROVED	DATE	PROJECT NO.
SCALE		FORM NO.
300 BAUD MODEM		SHEET NO. 113 OF 113

FROM IMP6 OUTPUT

CARD1 CARD2

BD015 AD07

BD06

BD03

BD012

BD011

BD010

BD07

BD08

WRPHF

C45

FROM IMP

ADDRESS BUS

FROM IMP

CARD1 CARD2

AD05

AD04

AD03

AD00

RDPF

FROM IMP

1

3

22

1KΩ 1/4W

+12

R19

R20

R21

R22

R23

R24

R25

R26

R27

R28

R29

R30

R31

R32

R33

R34

R35

R36

R37

R38

R39

R40

R41

R42

R43

R44

R45

R46

R47

R48

R49

R50

R51

R52

R53

R54

R55

R56

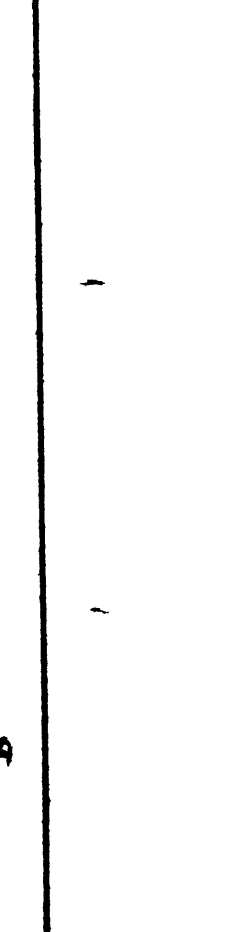
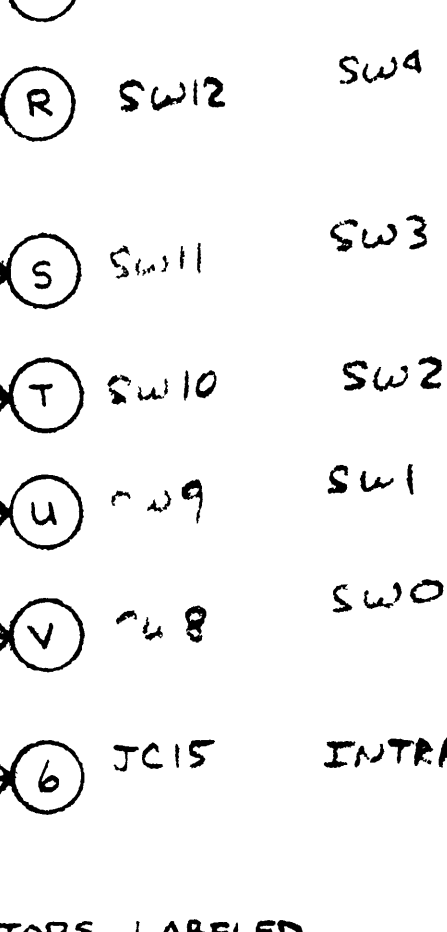
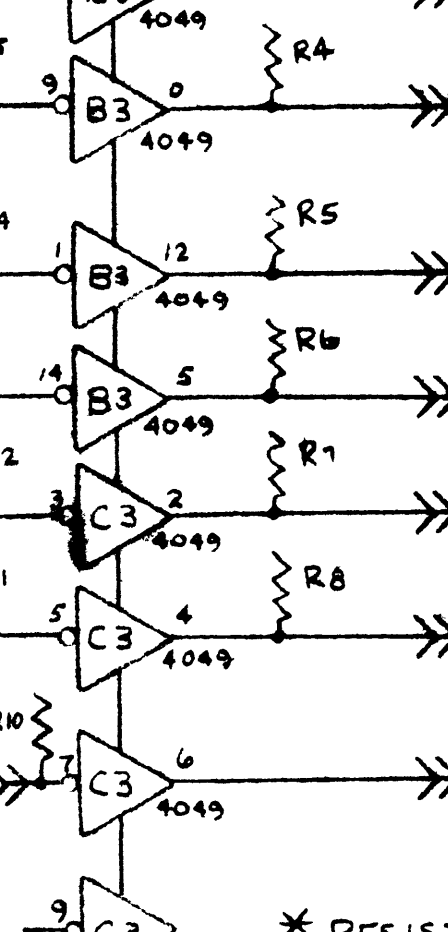
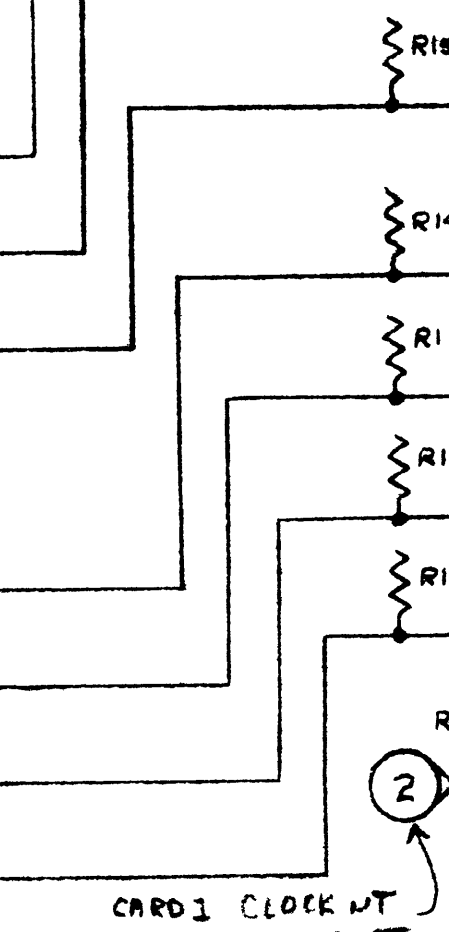
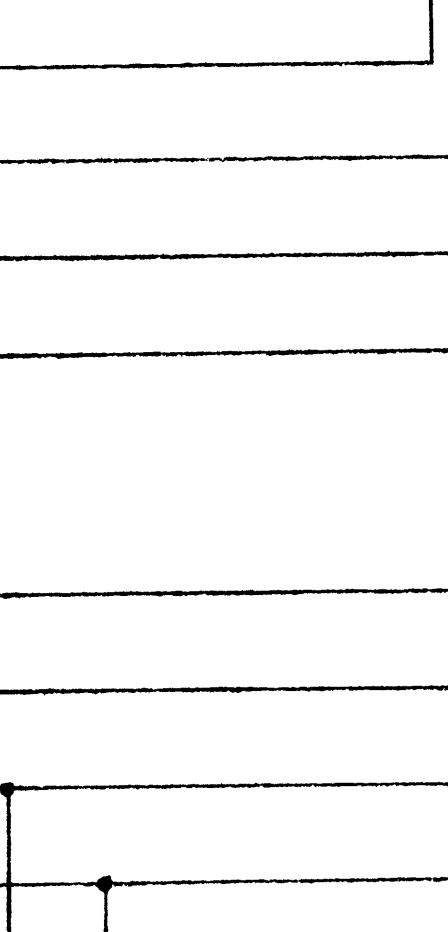
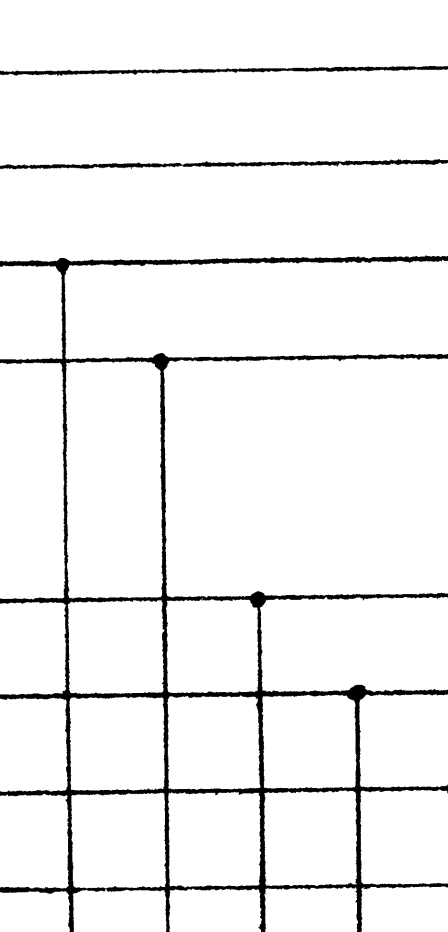
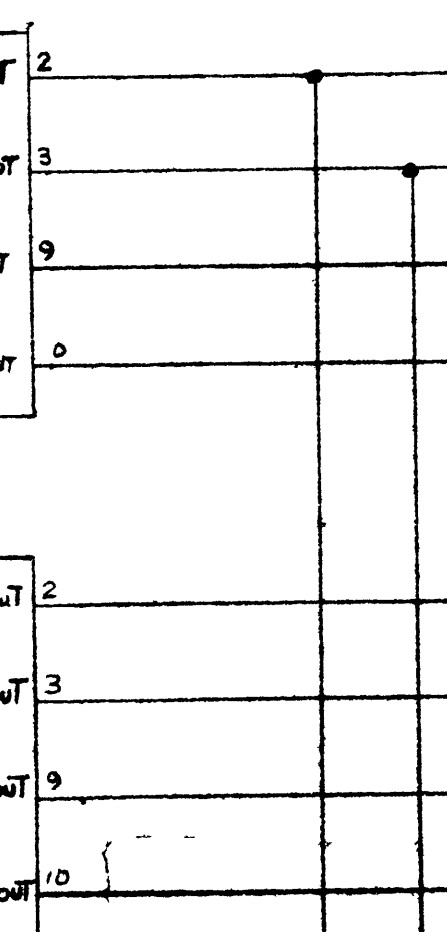
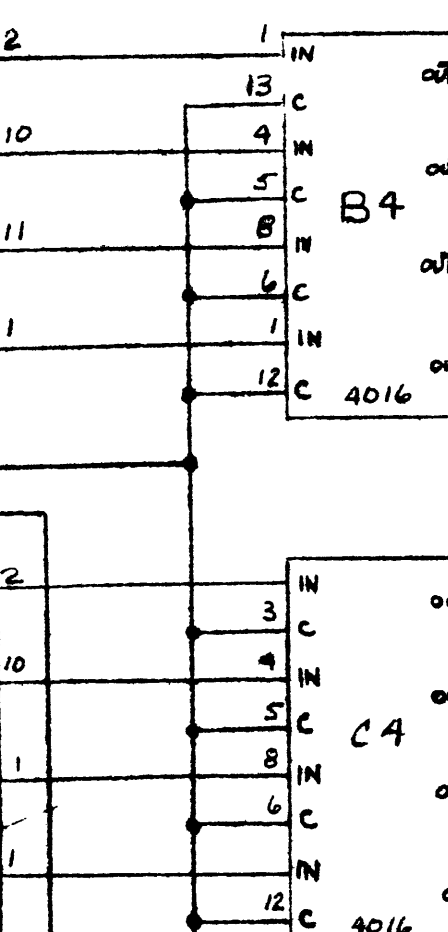
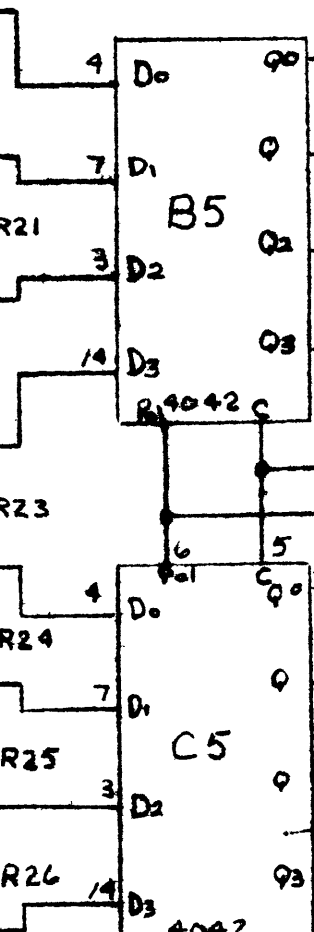
R57

R58

R59

R60

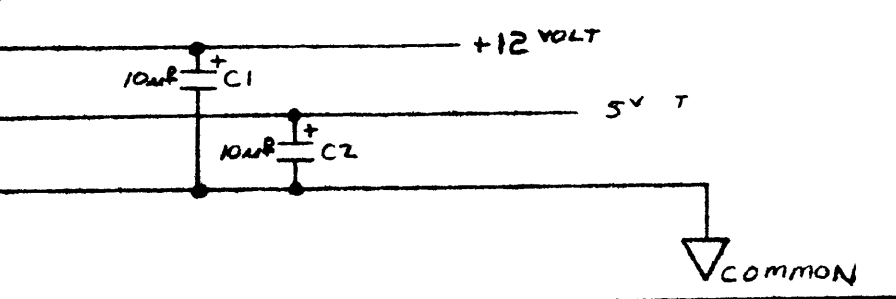
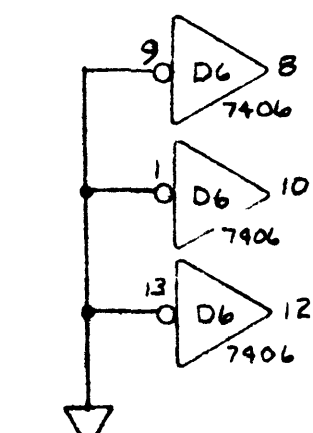
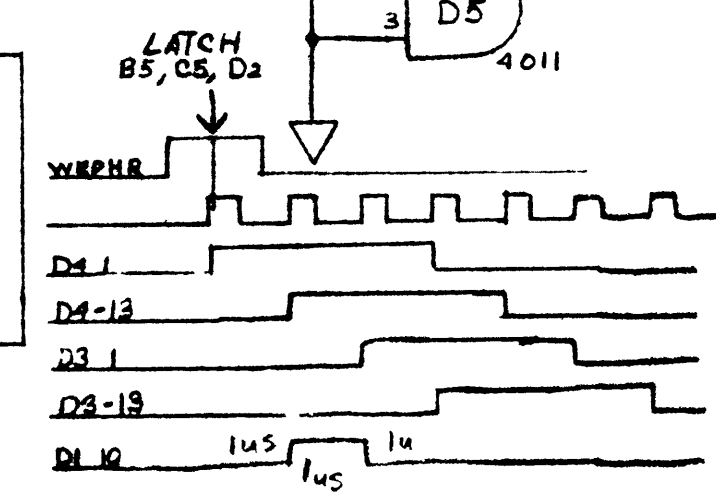
R61



TO ECI PERIPHERALS
BUS15 BUS14 BUS13 BUS12 BUS11 BUS10 BUS9 BUS8
BUS7 BUS6 BUS5 BUS4 BUS3 BUS2 BUS1 BUS0 ← CARD1
DATA BUS (+12V ⇒ 0 COMMON ⇒ 1)

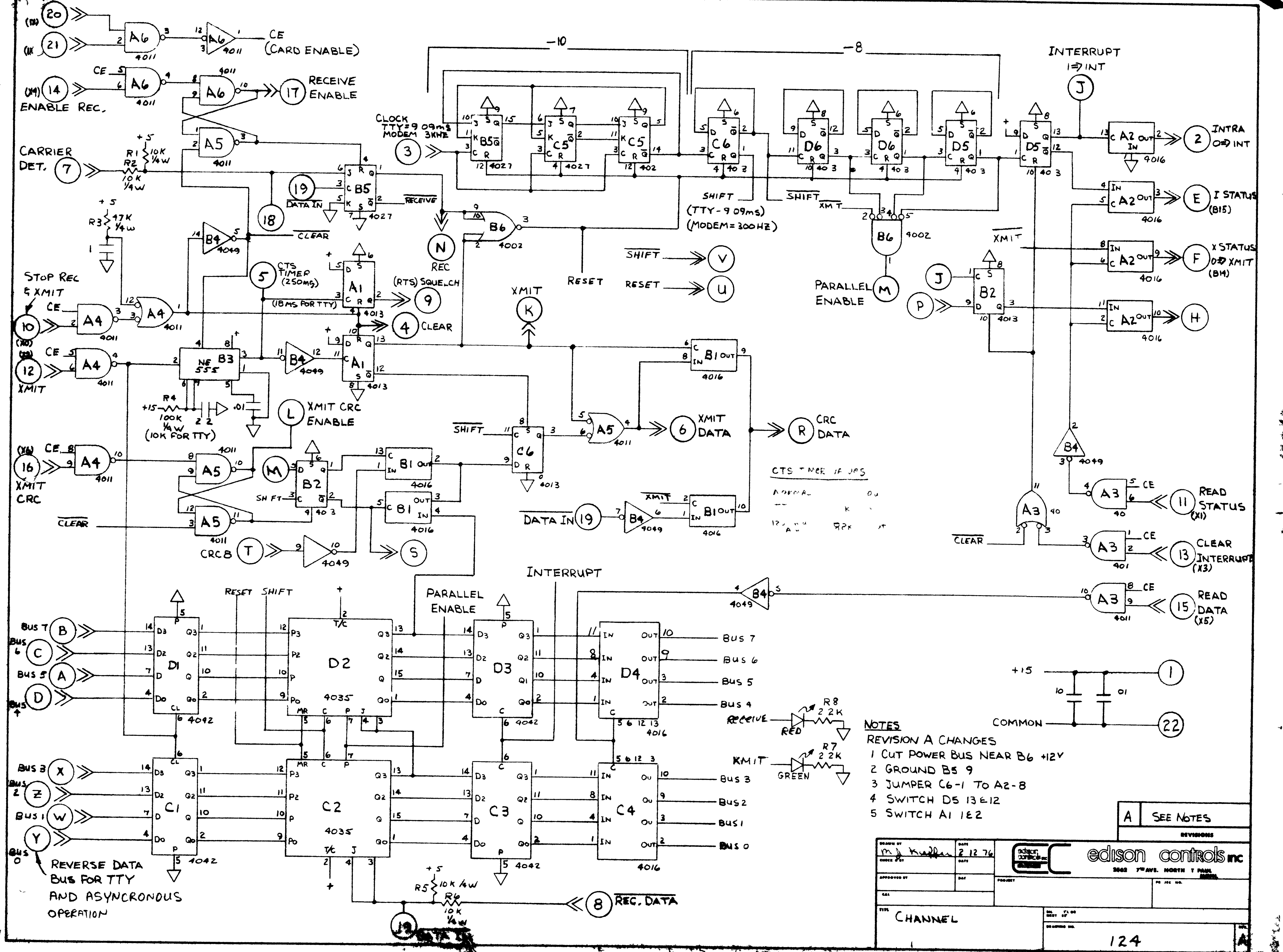
CARD1 CLOCK WT
ARD2 INTERRUPT
0 ⇒ INTERRUPT

* RESISTORS LABELED
R1 THRU R6 ON BOARD
ARE OPTIONAL DEPENDING
ON DATA BUS LOAD
PER SYSTEM
R9 IS NOT USED



ADDRESS BUS TO ECI
CARD CARD2
ADDR0 ADDR1 ADDR2 ADDR3 ADDR4 ADDR5
ADDR6 ADDR7

DESIGNER M. J. Kupper		DATE 1 26 76	edison controls inc 56 E 7th AV NORTH T PAUL MINN
CHECKED BY GCM		DATE 10-6-76	
APPROVED BY	DATE	FIGURE NO.	
TITLE IMP-I/O CARD			REVISIONS
DRAWING NO. 119			

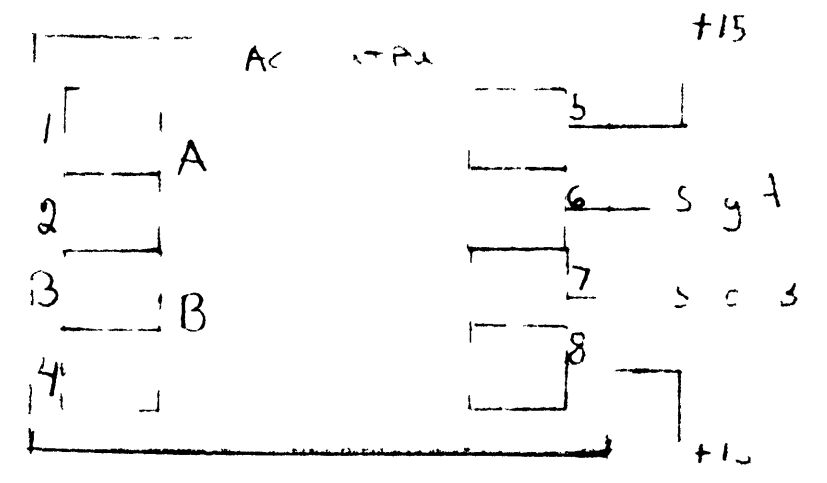
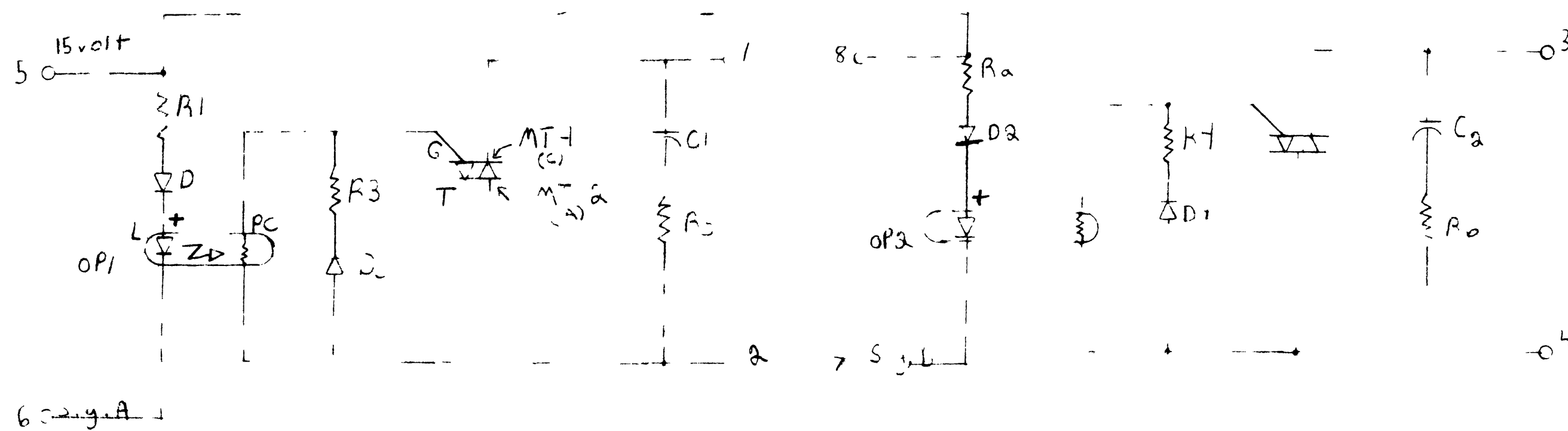


CTS - TIMER IF UPS
 NORMAL 0V
 12V 92K AT

- NOTES**
- REVISION A CHANGES
 - 1 CUT POWER BUS NEAR B6 +12V
 - 2 GROUND B5 9
 - 3 JUMPER C6-1 TO A2-8
 - 4 SWITCH D5 13-E12
 - 5 SWITCH A1 1E2

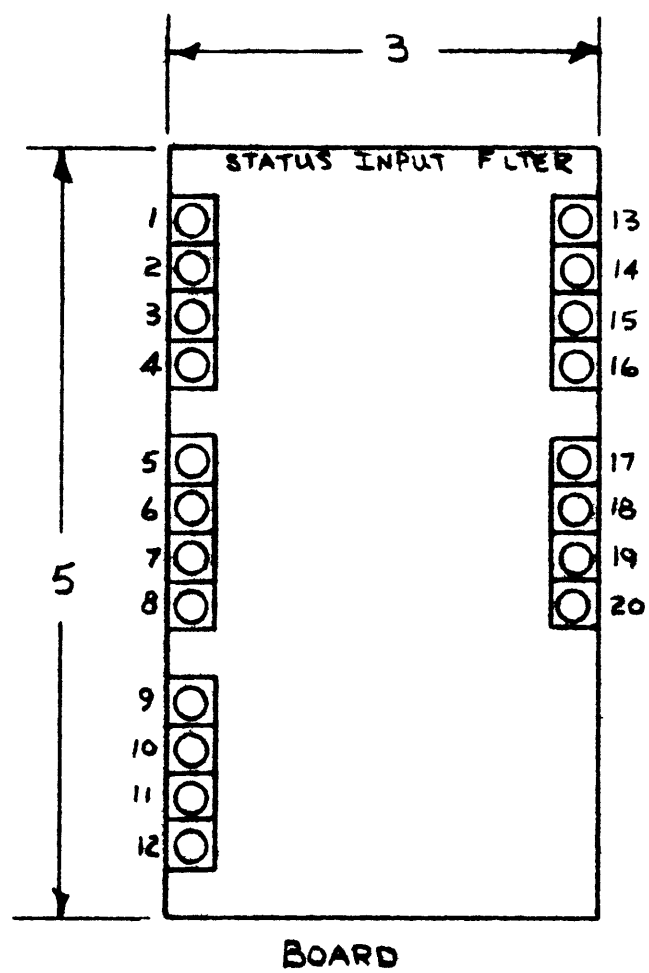
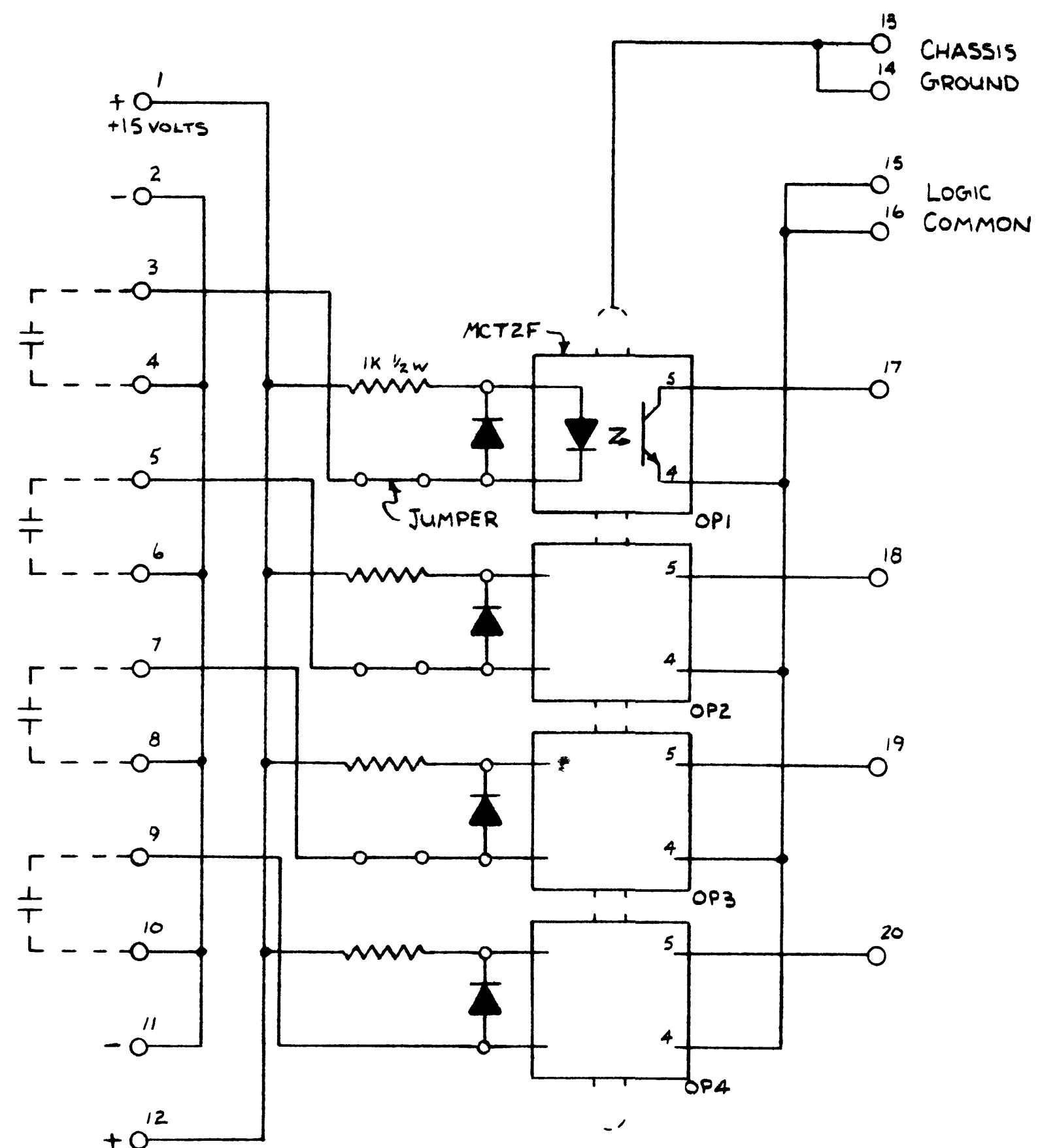
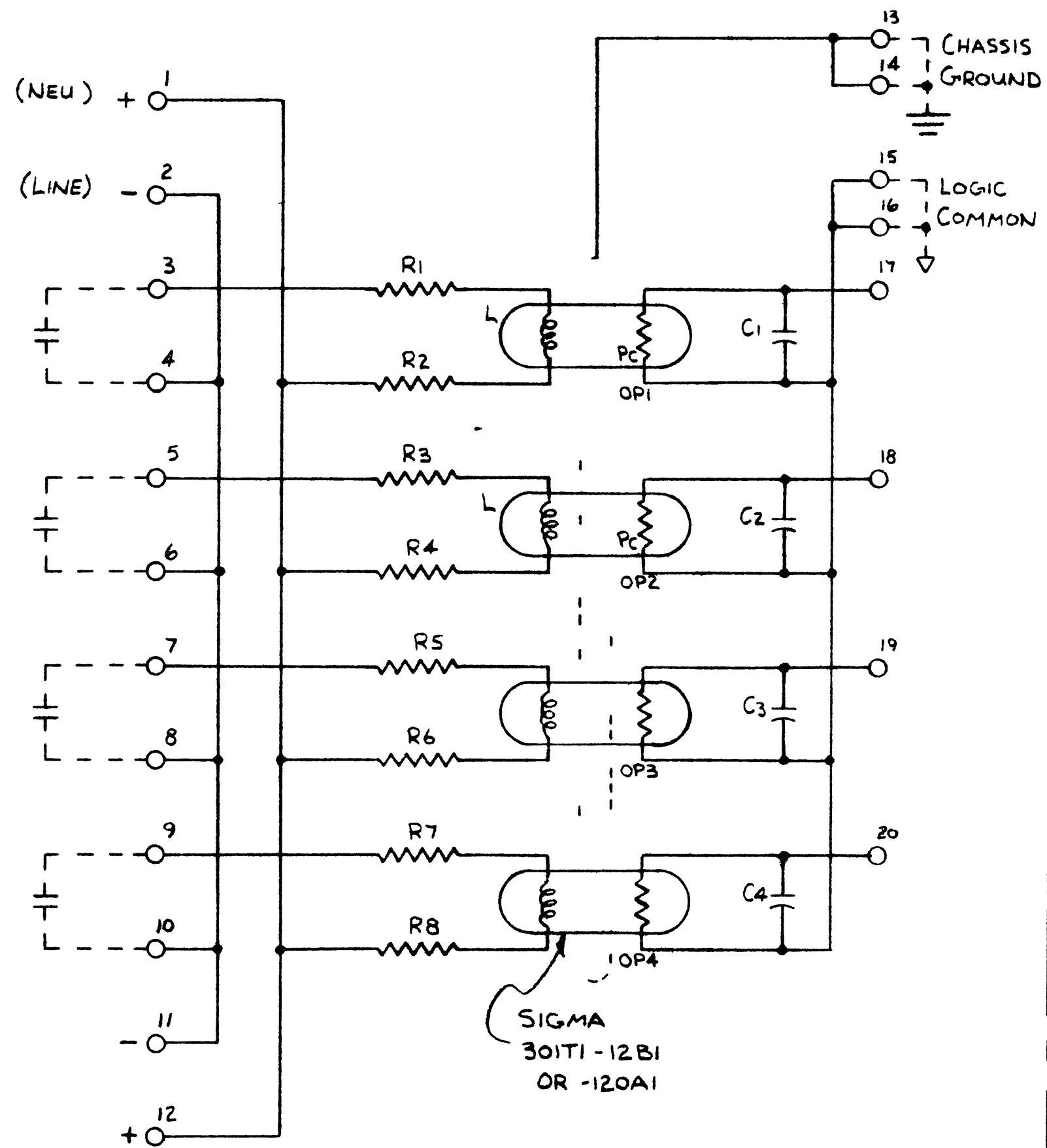
A SEE NOTES

DESIGNED BY M. J. Kupper	DATE 2 12 76	 edison controls inc 3602 7th AVE. NORTH T. PAUL, MINN.
APPROVED BY	DATE	
CHANNEL		124



TYPE	OP-1 OP _a	ECC- T1 T2	R1 R _a	D1 D _a	R3 R _T	D3 D _T	L1 C _a	R5 R ₀
120V AC 7 AMP 4 AMP DRIVER	30IT-2A1	L2500K4 or L4500K4	560Ω 1/2	1N414	470	1N463 OR EQUAL	N/A	N/A
120V AC 4 AMP RELAY DRIVER	30IT-2A1	L2500K4 or L4500K4	560Ω 1/2	1N414	470	N/A	100 μF cut	31K 2 1/4 W
120V AC 4 AMP RELAY DRIVER	30IT-2A1	L2500K4 or L4500K4	560Ω 1/2	1N414	470	1N463 OR EQUAL	N/A	N/A
120V AC 4 AMP DRIVER	30IT-2A1	L2500K4 or L4500K4	560Ω 1/2	1N414	470	N/A	200V 0.1 μF	31K 2 1/4 W
210 VAC 4 AMP DRIVER	30IT-2A1	Q4500K4	560Ω 1/2	1N414	470	N/A	200V 0.1 μF	31K 2 1/4 W
120 VAC 10 AMP DRIVER	30IT-2A1	Q2500K4	560Ω 1/2	1N414	470	N/A	200V 0.1 μF	31K 2 1/4 W
270 VAC 10 AMP DRIVER	30IT-2A1	Q2500K4	560Ω 1/2	1N414	470	N/A	400V 0.1 μF	31K 2 1/4 W

AWN BY TE	DATE	REV N	DATE
CHECKED BY		B	
APPROVE TE	Elect		
SCALE			
TITLE AC LAMP, Relay, Power DRIVER		WIN NUMBER 132	B



B	REVISED	7 26 76
A	REDRAWN	7-15-76

DESIGNED BY TE	DATE	 2862 E. 7 TH AVE. NORTH ST. PAUL, MINN.
APPROVED BY CB	DATE 2/24/76	
TITLE STATUS INPUT FILTER		DRAWING NO. 138

DATA BUS

3 DIGIT

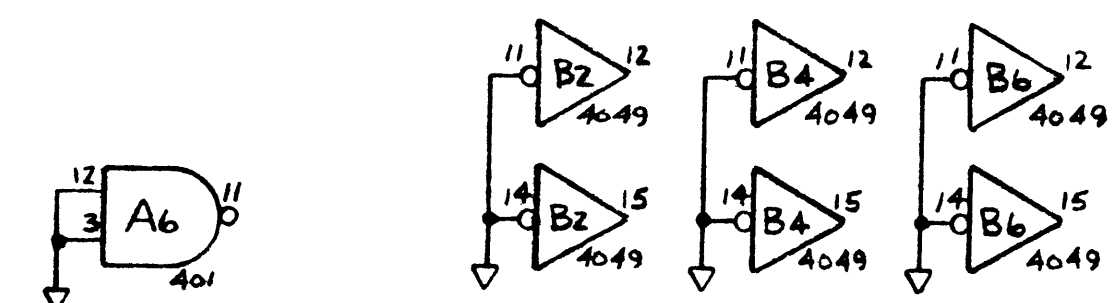
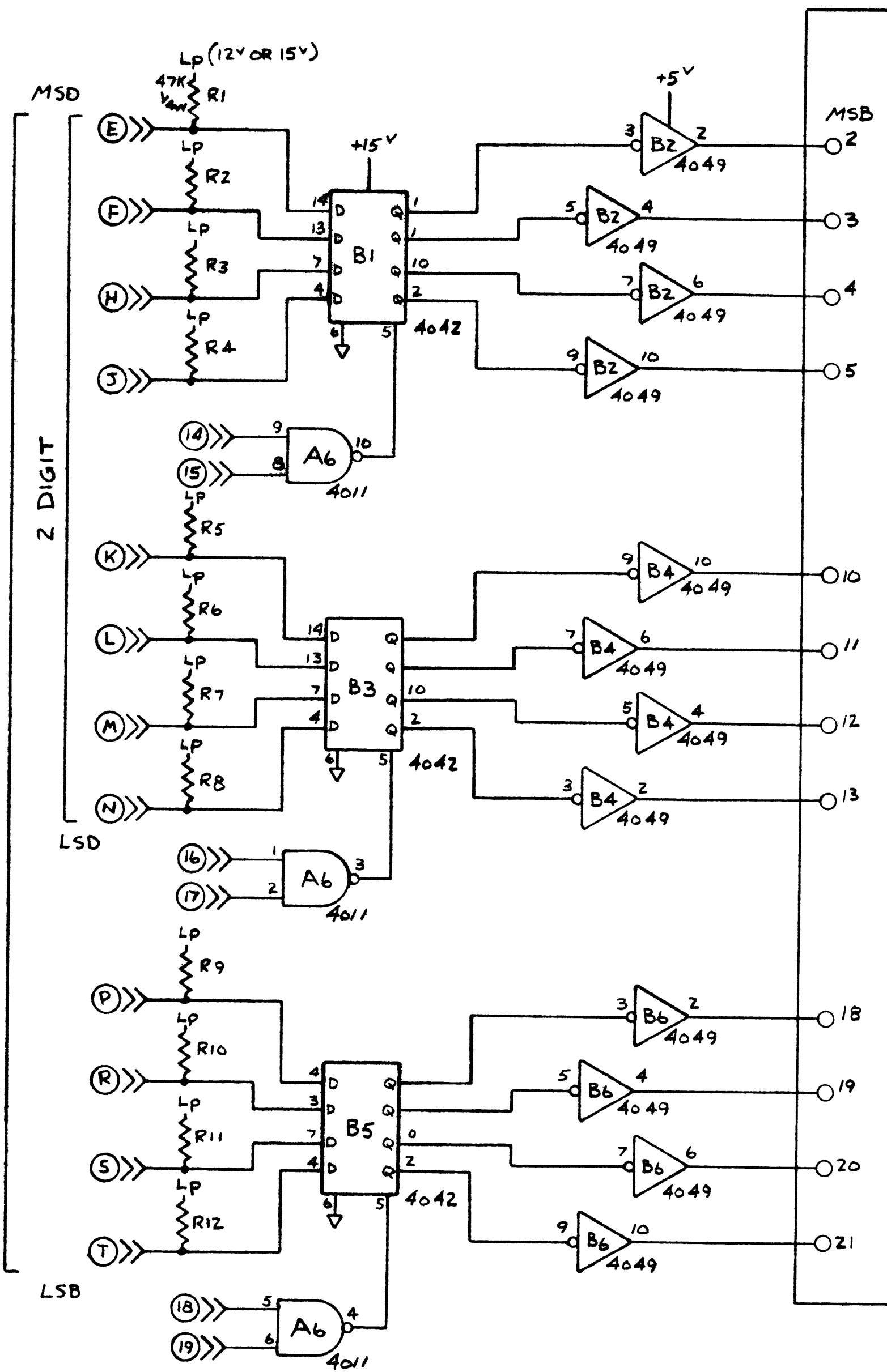
2 DIGIT

MSD

LSD

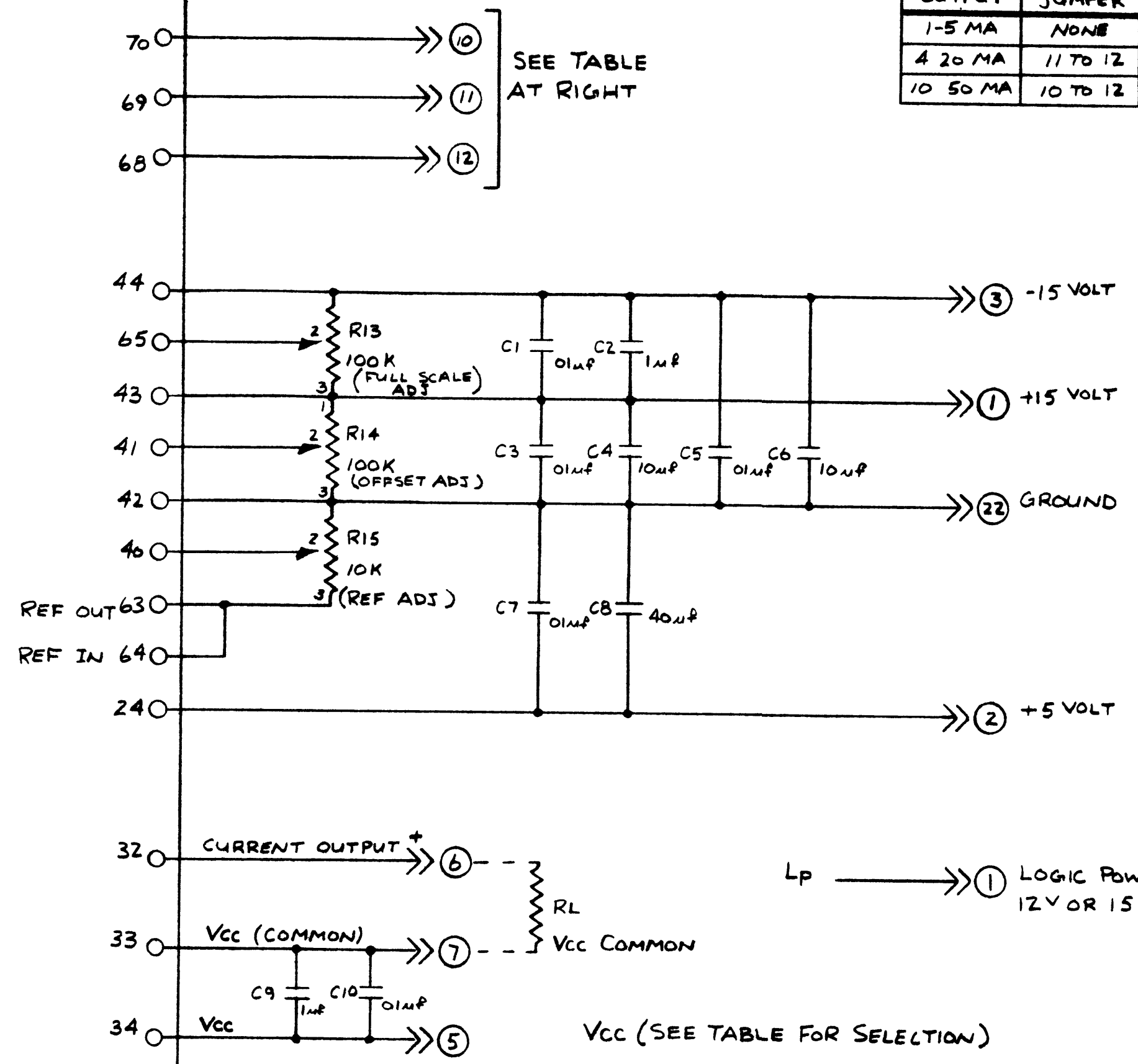
LSB

- 4049**
Vcc = +5V - PIN 1
Vss = GND - PIN 8
- 4011**
VDD = +15V - PIN 14
VSS = GND - PIN 7
- 4042**
VDD = +15V - PIN 16
VSS = GND - PIN 8



CPS D/A CONVERTOR
 CY2547 2 DIGIT BCD (2 → 13)
 CY2647 3 DIGIT BCD
 CY2047 8 BIT BINARY
 CY2147 10 BIT BINARY
 CY2247 12 BIT BINARY

OUTPUT CURRENT SELECTION	
OUTPUT	JUMPER
1-5 MA	NONE
4 20 MA	11 TO 12
10 50 MA	10 TO 12



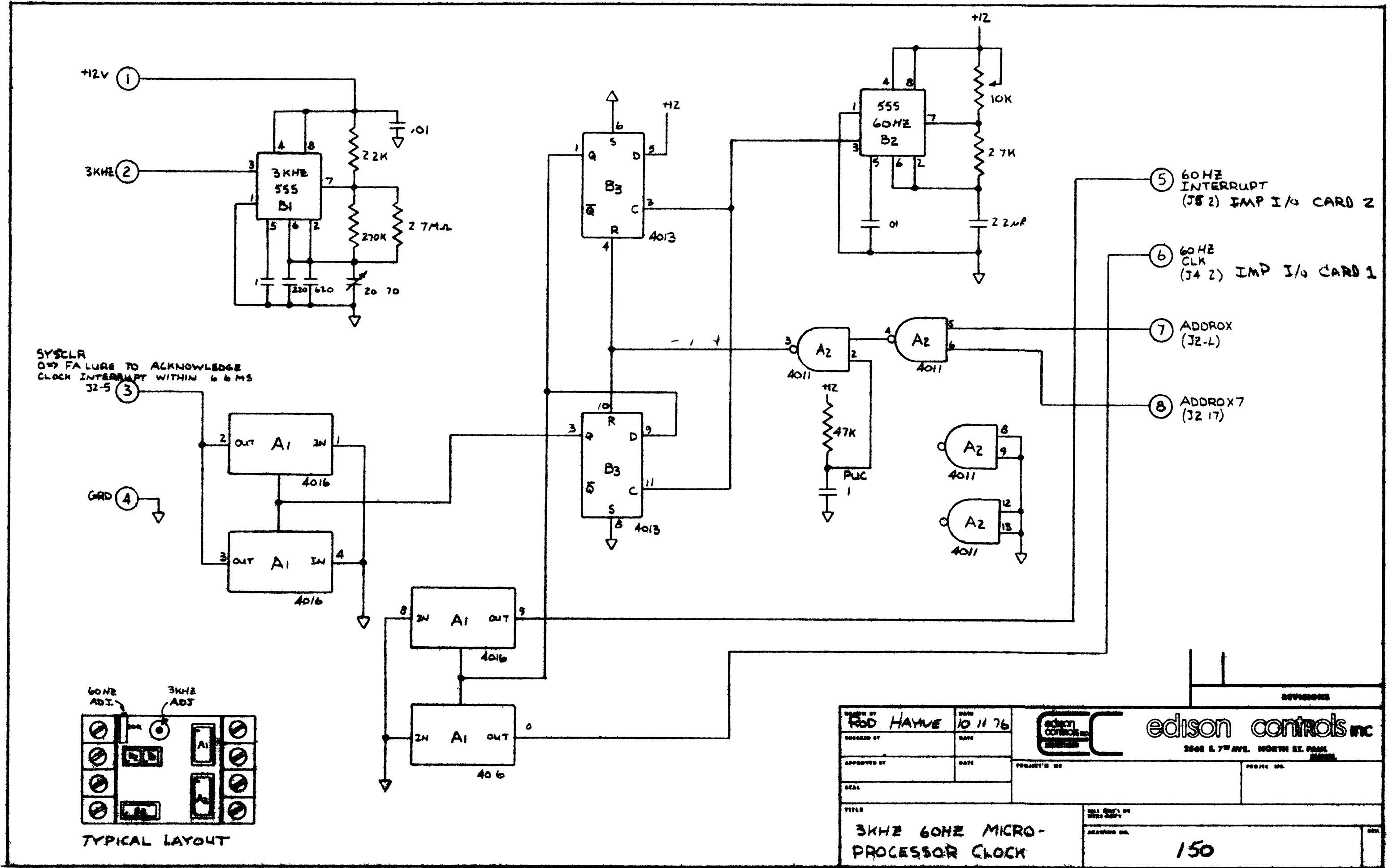
SEE TABLE AT RIGHT

OUTPUT RANGE	MAX RL FOR			
	VCC 15V	VCC 24V	VCC 28V	VCC 30V
1-5 MA	1600Ω	3400Ω	4200Ω	4600Ω
4 20 MA	400Ω	850Ω	1020Ω	1150Ω
10-50 MA	160Ω	340Ω	420Ω	460Ω

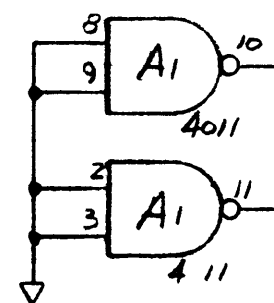
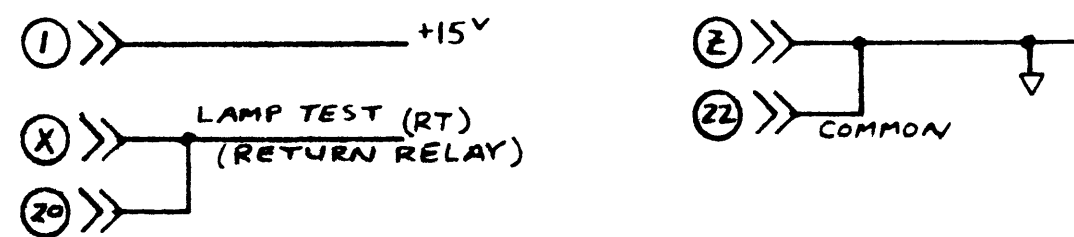
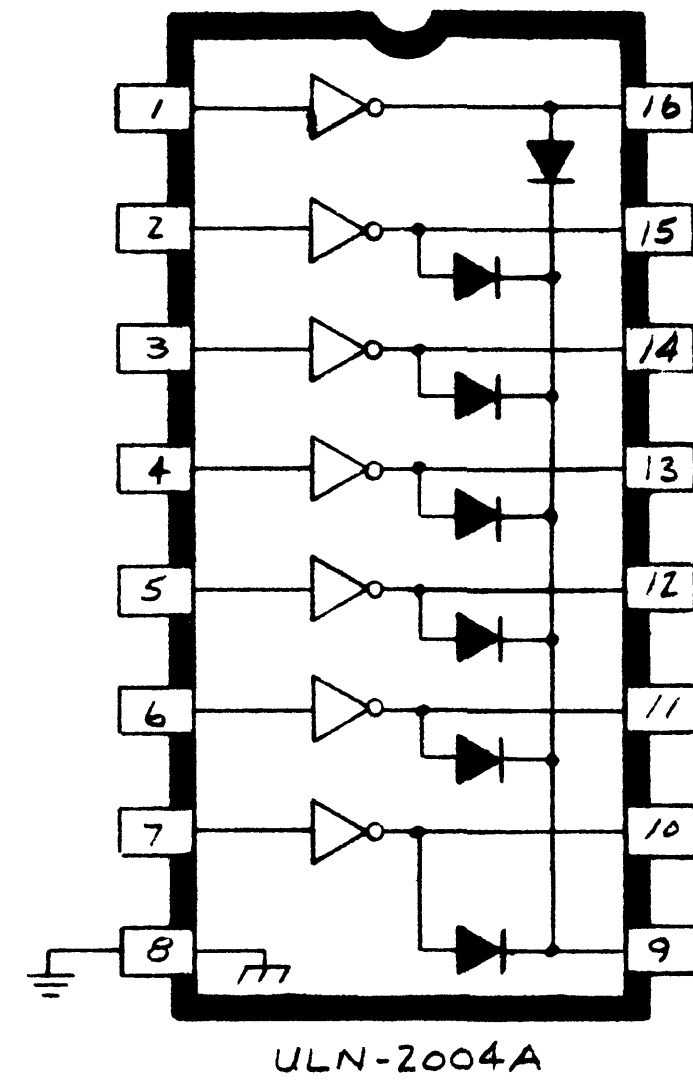
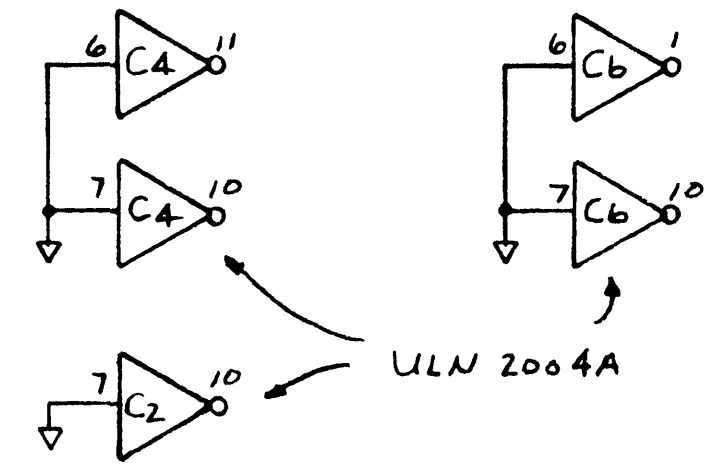
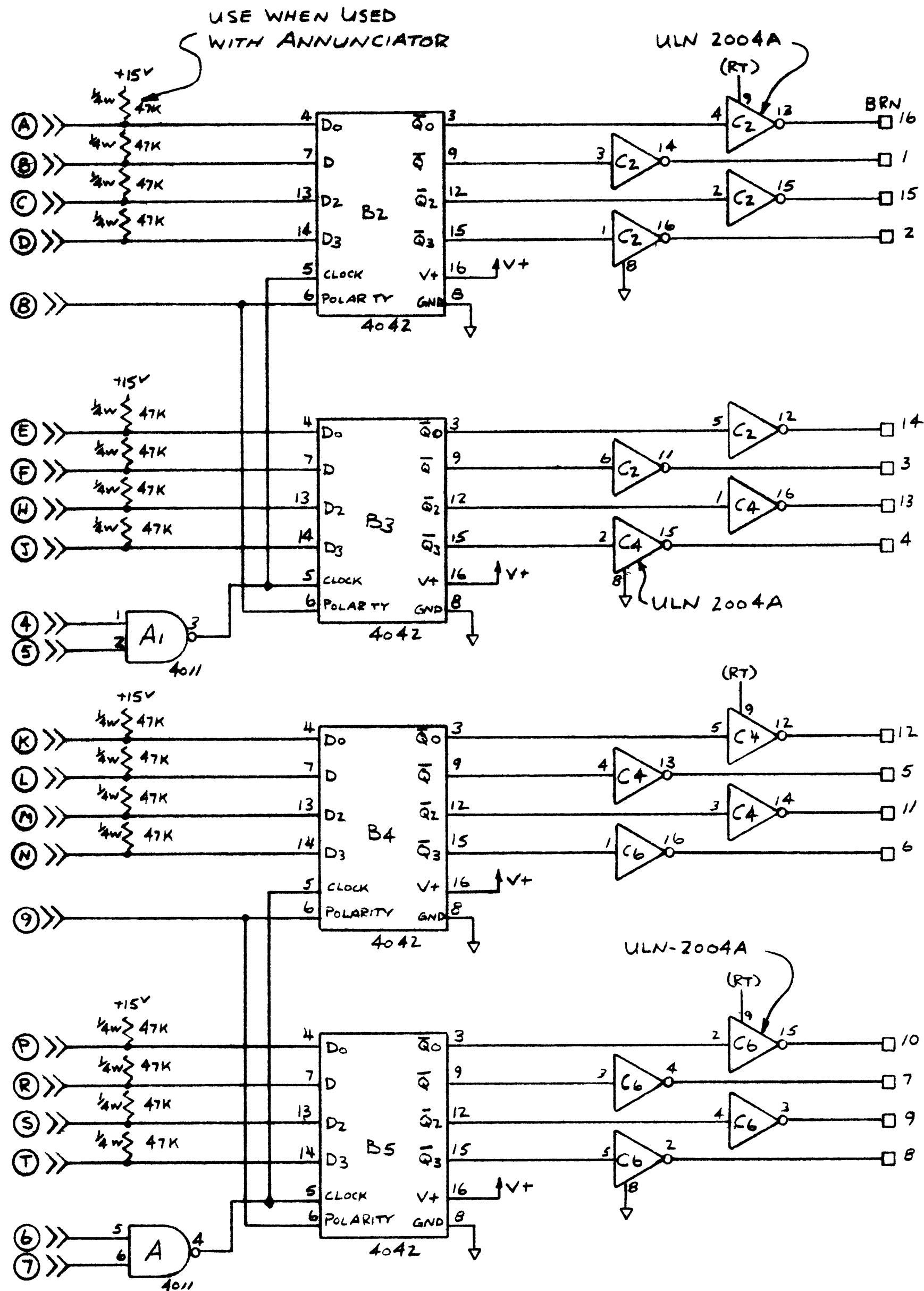
$$RL_{MAX} = \frac{VCC - 7V}{I_5 \text{ CURRENT}}$$

DESIGNED BY Rod HAYNE	DATE 4-1-77	REV. NO. 1
APPROVED BY	PROJECT NAME	PACKAGE NO.
TITLE ANALOG OUTPUT WITH HOLDING REGISTER		REV. NO. 149

edison controls inc
2862 7th AV NORTH ST PAUL, MINN.

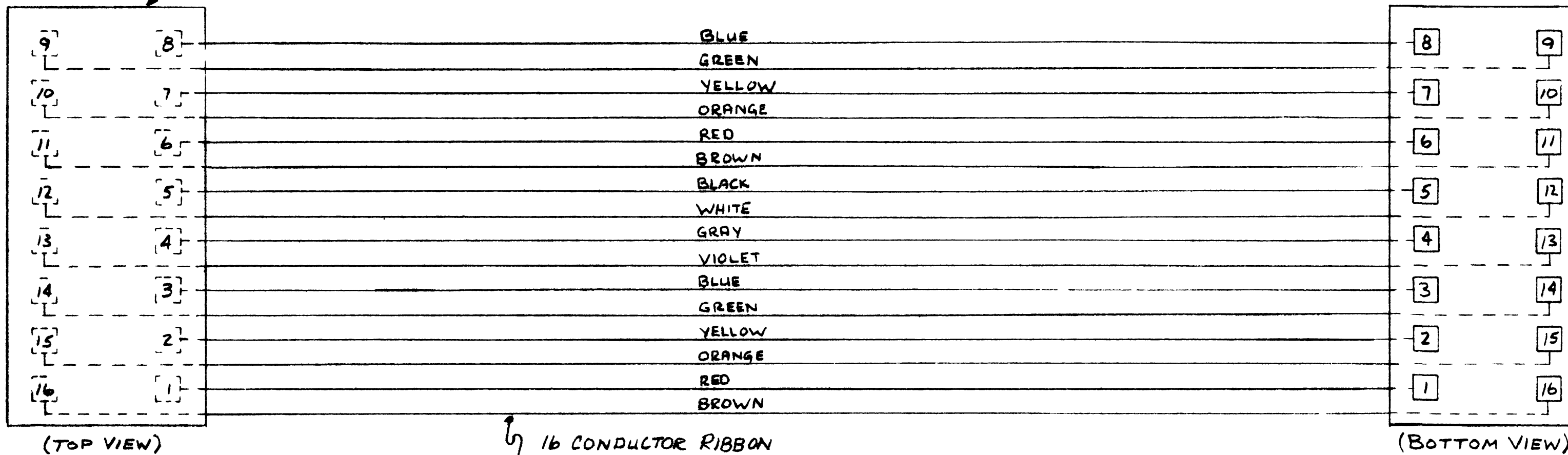


DESIGNED BY ROD HAYNE	DATE 10 11 76	 edison controls inc 2500 E. 7th AVE. NORTH ST. PAUL, MINN.	REVISIONS
APPROVED BY	DATE		PROJECT NO.
SCALE			
TITLE 3KHz 60Hz MICRO-PROCESSOR CLOCK		REV. NO. OF THIS SHEET	RELATION NO.
			150



DESIGNED BY <i>Ray Hume</i>		DATE 10-14-77		edison controls inc	
CHECKED BY		DATE		2502 E. 7th AVE. NORTH ST PAUL, MINN.	
APPROVED BY	DATE	PROJECT NAME	PROJECT NO.		
TITLE 16 BIT HOLDING REGISTER W/DRIVERS		SCALE	DRAWING NO. 155		REV. 0

16 PIN DIP CONNECTOR
 3M NO 3416 0000
 WITH NO 3448-8
 3M STRAIN RELIEF

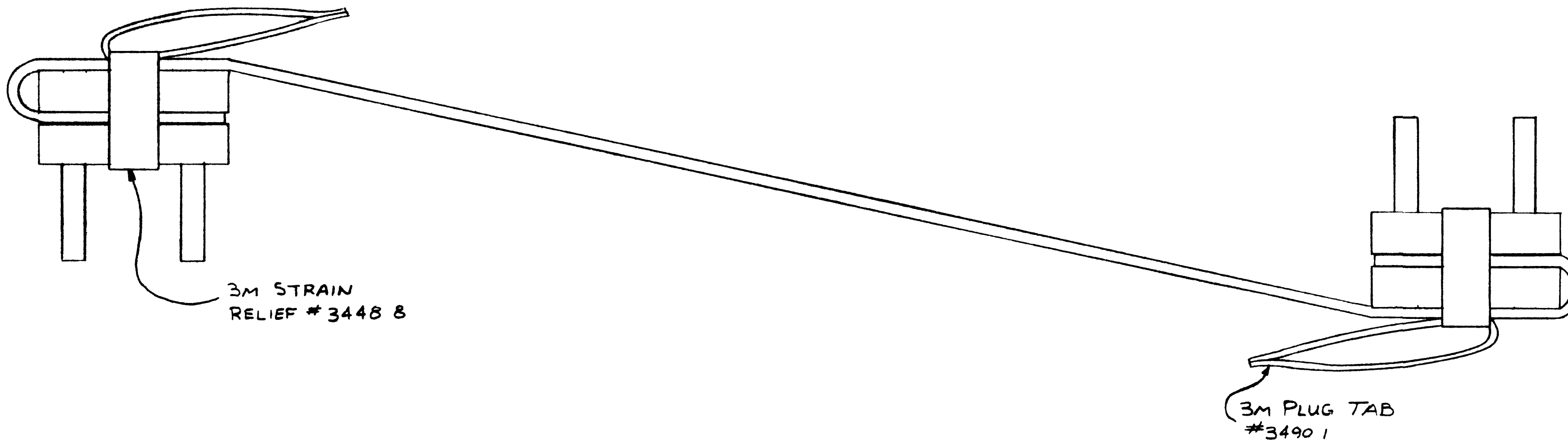


(TOP VIEW)

(BOTTOM VIEW)

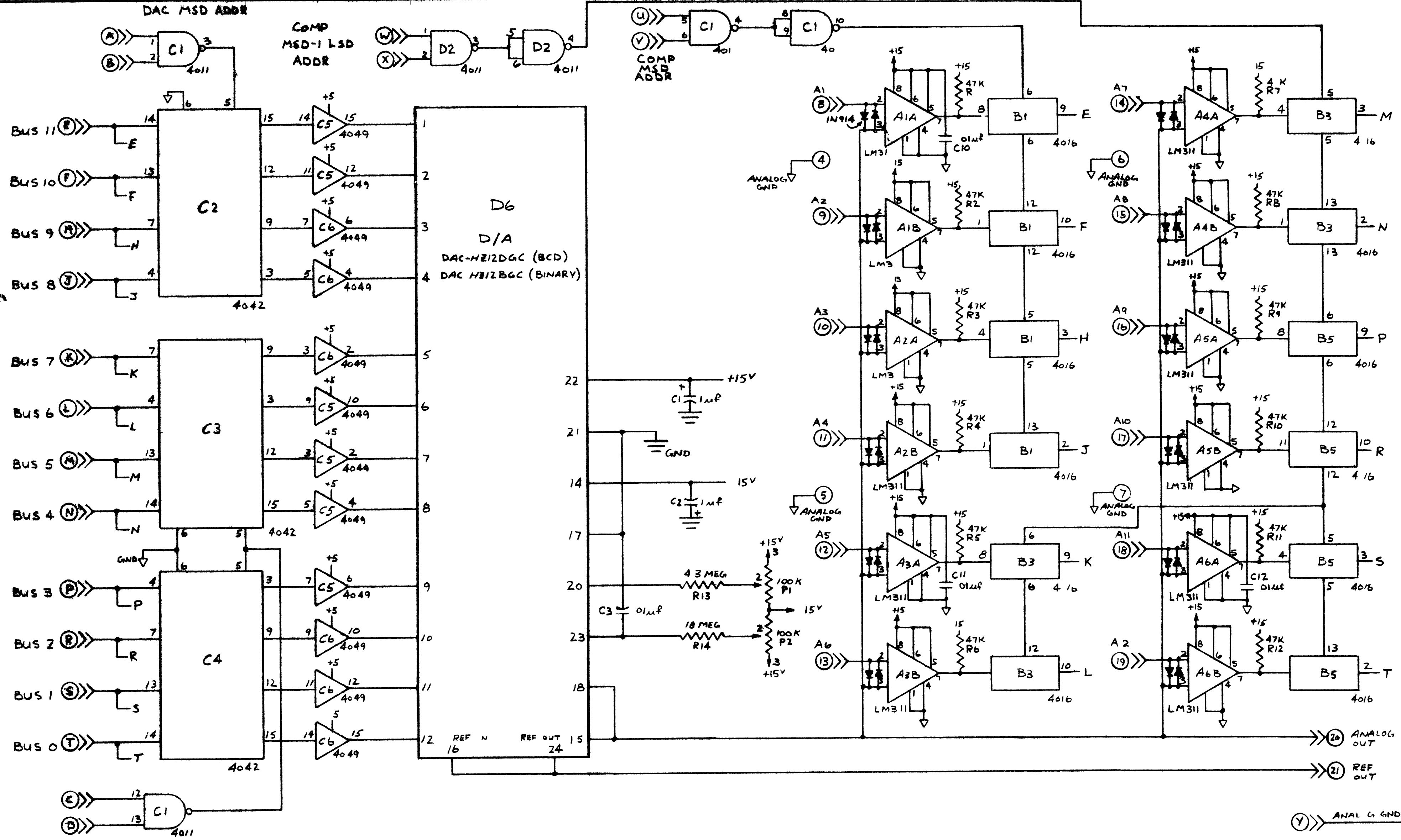
16 CONDUCTOR RIBBON
 CABLE 28 GAGE
 COLOR CODED
 3M NO 3302 16

NOTE BROWN WIRE
 IS ALWAYS
 TO PIN NO 16

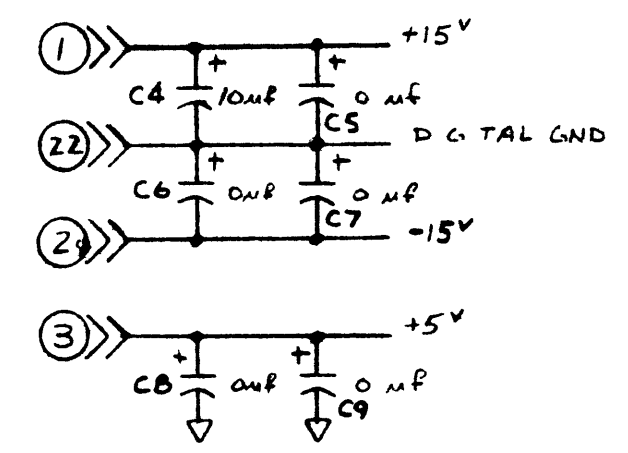
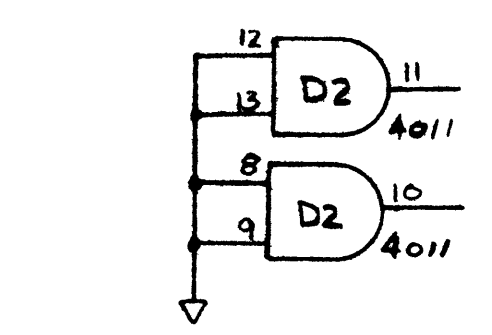


A	REVISED COLOR CODE	1/10/78
---	--------------------	---------

DESIGNER L KEMP	DATE 11/12/77	 edison controls inc 502 E. 7th AV NORTH T PAUL, MINN.
APPROVED BY	AT	
TITLE 16 CONDUCTOR CABLE & CONNECTOR		REV. NO. 155A
		REV. A



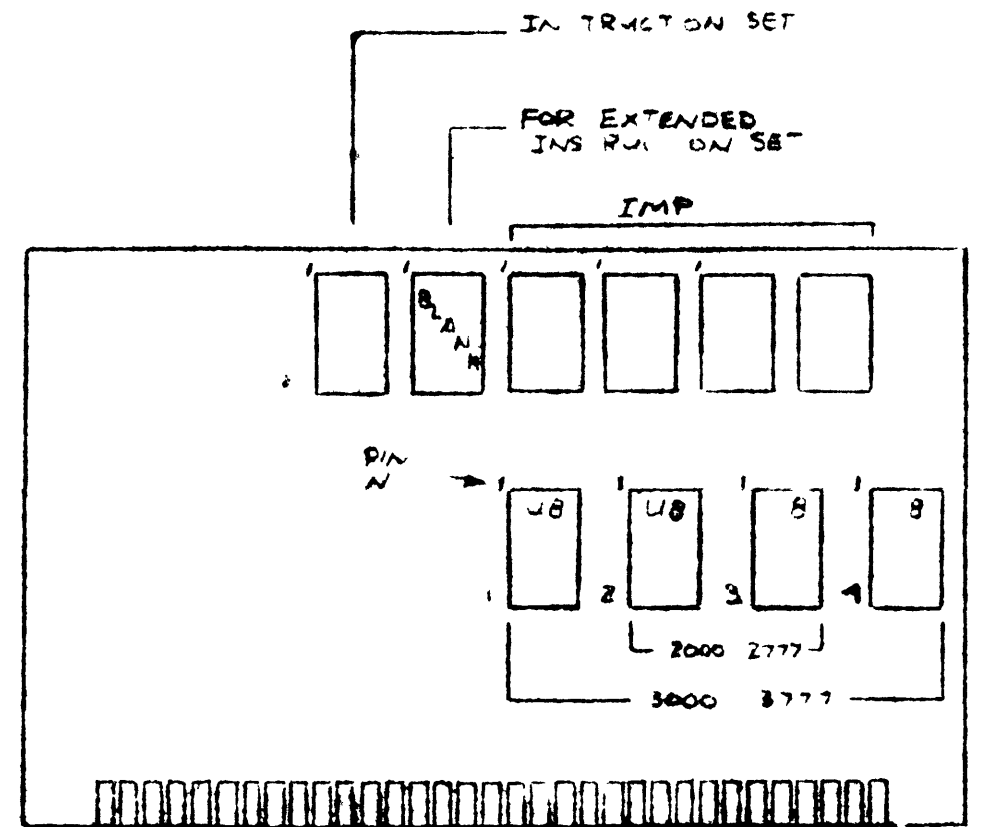
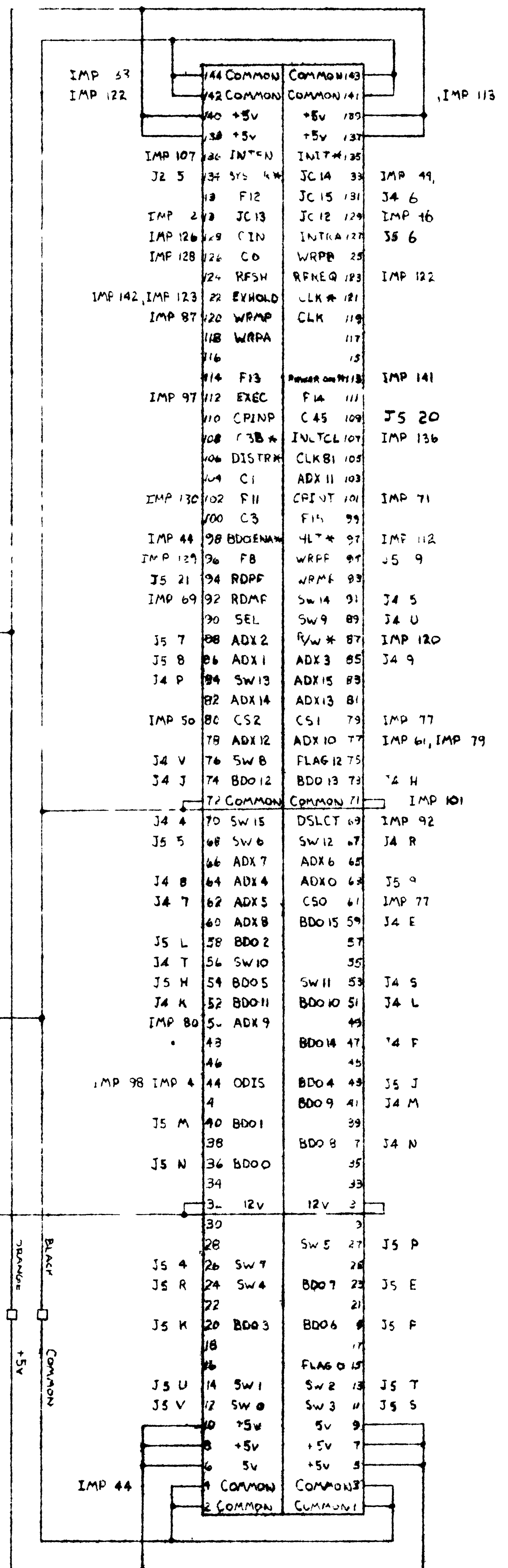
DAC MSD-1, LSD ADDR



DESIGNED BY <i>[Signature]</i>	DATE 3-10-78	 edison controls inc 3602 E. 7th AVE. NORTH ST. PAUL, MINN.	REVISIONS
APPROVED BY	DATE		PROJECT NAME
DEAL		PROJECT NO.	
TITLE MULTIPLE A T D		DATE MADE BY DATE	DRAWING NO. 156

A	BUS 13	A	BUS 5
B	BUS 15	B	BUS 7
C	BUS 14	C	BUS 6
D	BUS 12	D	BUS 4
E	(BDO 15)	E	(BDO 7)
F	(BDO 14)	F	(BDO 6)
H	(BDO 12)	H	(BDO 5)
J	(BDO 12)	J	(BDO 4)
K	(BDO 11)	K	(BDO 4)
L	(BDO 10)	L	(BDO 3)
M	(BDO 9)	M	(BDO 2)
N	(BDO 8)	N	(BDO 1)
P	(SW 13)	P	(SW 5)
R	(SW 12)	R	(SW 4)
S	(SW 11)	S	(SW 3)
T	(SW 10)	T	(SW 2)
U	(SW 9)	U	(SW 1)
V	(SW 8)	V	(SW 0)
W	BUS 9	W	BUS 1
X	BUS 11	X	BUS 3
Y	BUS 8	Y	BUS 0
Z	BUS 10	Z	BUS 2

IMP I/O J4		IMP I/O J5	
1		1	INTERRUPT
2		2	
3		3	
4	(SW 15)	4	(SW 7)
5	(SW 14)	5	(SW 6)
6	(TC 15)	6	(INTRA)
7	(ADX 5)	7	(ADX 2)
8	(ADX 4)	8	(ADX 1)
9	(ADX 3)	9	(ADX 0)
10	ADDR 0X	10	ADDR X0
11	ADDR 1X	11	ADDR X1
12	ADDR 2X	12	ADDR X2
13	ADDR 3X	13	ADDR X3
14	ADDR 4X	14	ADDR X4
15	ADDR 5X	15	ADDR X5
16	ADDR 6X	16	ADDR X6
17	ADDR 7X	17	ADDR X7
18		18	
19		19	(WRPF)
20		20	(C 45)
21		21	(RDPF)
22		22	



0000	RAM
1777	
2000	INNER PROMS
2777	
3000	OUTER PROMS
3777	

MASTER

IMP WIRINGS

1/2 T6

Superior Wds

1/35

edison controls inc

1135-080

A	REVISED AS BUILT
B	REVISED AS BUILT
C	REVISED AS BUILT

A
B
C
D
E
F
G
H
I
J
K
L
M
N
O
P
Q
R
S
T
U
V
W
X
Y
Z

A 5 A
B 5 B
C 5-C
D 5-D
E 4-B
F 4-C
G 4-A
H 4-D
I
J 4 D
K
L 4 10
M 4-N
N 4-12
O 4-13
P 4-14
Q
R 4 15
S 4 16
T 4-17
U
V
W 5 W
X 5 X
Y 5-Y
Z 5-Z

(B1)
(B3)
(B0)
(B2)

A
B
C
D
E
F
G
H
I
J
K
L
M
N
O
P
Q
R
S
T
U
V
W
X
Y
Z

(B13) 2 H A 4 A (B5) 2 A A 8-A
(B15) 2 E B 8-E (B7) 2 B B 8-B
(E11) 2-F C 8-F (B6) 2-C - X -
(B12) 2 J D 1-D (B4) 2-D D 8-D
E
F
G
H
I
J
K
L
M
N
O
P
Q
R
S
T
U
V
W 9-H (B7) 2 W W 8-W
X 9 E (B3) 2-X X 8-X
Y 9-J (B0) 2 Y Y 8-Y
Z 9-F (B2) 2 Z Z 8-Z

(B9) 2 20
(B11) 2 18
(B8) 2 21
(B10) 2 19

A
B
C
D
E
F
G
H
I
J
K
L
M
N
O
P
Q
R
S
T
U
V
W
X
Y
Z

(+5) 5 3

A
B
C
D
E
F
G
H
I
J
K
L
M
N
O
P
Q
R
S
T
U
V
W
X
Y
Z

5-A A 9 M
5-B B 9-K
5-C C 9-L
5-D D 9-N
4 B E 9-B
4 C F 9-C
G
H
I
J
K
L
M
N
O
P 8-T
Q
R
S
T
U
V
W 9-W
X 9-X
Y 9-Y
Z 9-Z

(B13) 4 A A
(B15) 8 E E
(B14) 8-F C
(B12) 4-D D
(B11) 4-X E
(B10) 4-Z F
(B9) 4-W N
(B8) 4-Y J
(B7) 8 B K 11-K
(B6) 8-C L 11-L
(B5) 8-A M 11-M
(B4) 8-D N 11-N
P 9-18
Q
R
S
T
U
V 9-20
W 11-5
X 11-P
Y 11-T
Z 11-R

8-10 T 10-B
9-19
9-18
9-19
9-20

10-E (3X) A 12-A
9-T (X2) B 15-5
(5X) C
8 14 (X4) D 13 5
4-13 (3X) E 10-A
(X1) F 15-7
(5X) G
8-15 (X5) H 13-7
I
J
K
L
M
N
O
P
Q
R
S
T
U
V
W
X
Y
Z

J1

J2
CONTROL
PANEL

1
2
3
4
5
6
7
8
9
10
11
12
13
14
15
16
17
18
19
20
21
22

1 +12V
2 5-2
3 (45V) 4 3
4 8-3
5
6
7
8
9
10 5 10
11 5-11
12 5-12
13 5-13
14 5-14
15 5-15
16 5-16
17 5-17
18 4-X
19 4-Z
20 4-W
21 4-Y
22 Common

(3KHZ)
(B11)
(B10)
(B9)
(B8)

J3

BLANK

1
2
3
4
5
6
7
8
9
10
11
12
13
14
15
16
17
18
19
20
21
22

J4
IMP
I/O

1 +12V
2
3 (45V) 5 3
4
5
6
7
8
9
10 (OX)
11 8 20 (1X)
12 (2X)
13 (3X) 10 E
14 (4X) 15-4
15 (5X) 19-4
16 (6X)
17 (7X)
18
19
20
21
22 Common

J5

IMP
I/O

1 +12V
2 8-2
3 7-N (+5)
4
5
6
7
8
9
10 8-10
11 8 11
12 8-12
13 8-13
14 8 14
15 8-15
16 8-16
17 (X7) 14 7
18
19
20
21
22 Common

J6

BLANK

1
2
3
4
5
6
7
8
9
10
11
12
13
14
15
16
17
18
19
20
21
22

J7

MODEM

1
2
3
4
5
6 (-12)
7 8-7
8 8-8
9 8-9
10
11
12
13 8 6
14
15
16
17
18
19
20
21
22 Common

J8

CHANNEL

1 (+12V)
2 5-2
3 2-4
4
5
6 7-13
7 7-7
8 7-8
9 7-9
10 (XU) 9-T
11 11-X
12 (X2) 12-5
13 (X3) 12-7
14 (X4) 10 D
15 (X) 10-J
16 (X6) 14-5
17
18
19
20 4-11 8-21
21 8 20
22 Common 8-T

J9

MUX
I620

1
2
3
4
5
6
7
8
9
10
11
12
13
14
15
16
17
18 9-P 9-1
19 9-U
20 9-V
21
22

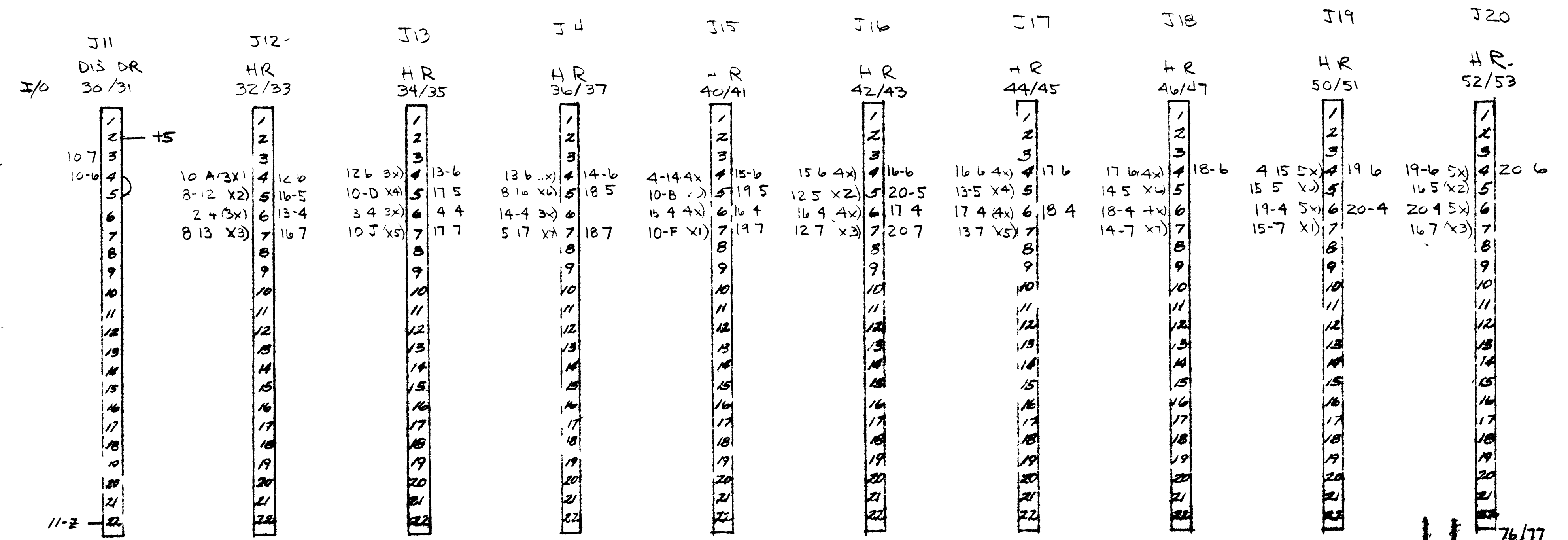
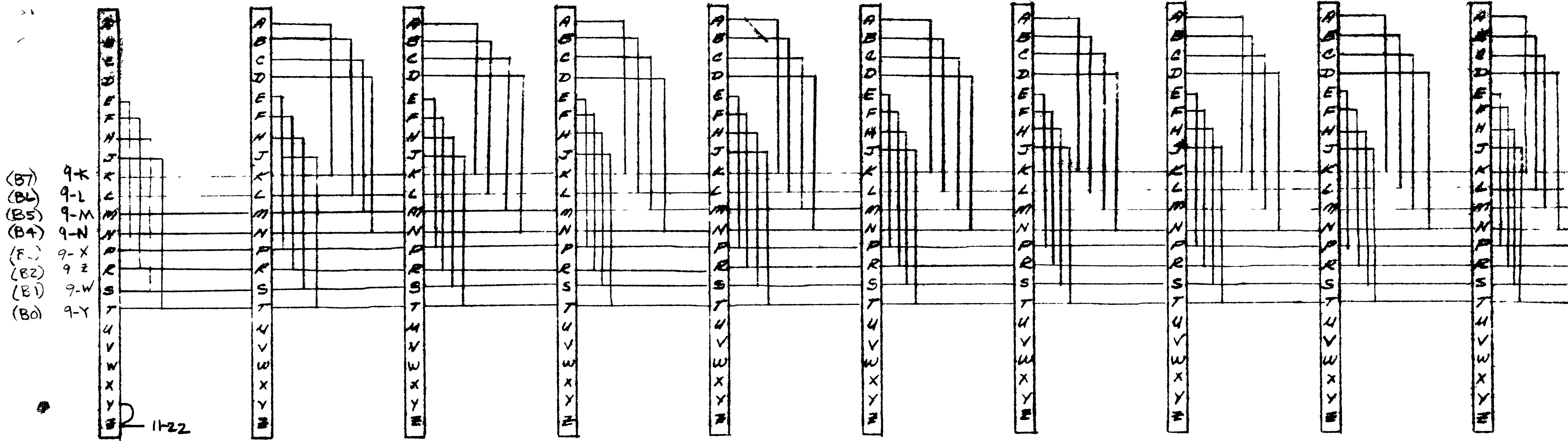
J10

4911

1
2
3
4 2J11-4
5 2J11 3
6 11-4
7 11 3
8
9
10
11
12
13
14
15
16
17
18
19
20
21
22

BASKET 1

edison controls inc
2000 E 7th Ave NORTH ST. PAID
SUPERIOR 1135
CARD BOX WIRING MASTER
11/35-281 SHEET 1 OF 2



BASKET 2 ADDRS
54/55

56/57

60/61

62/63

64/65

66/67

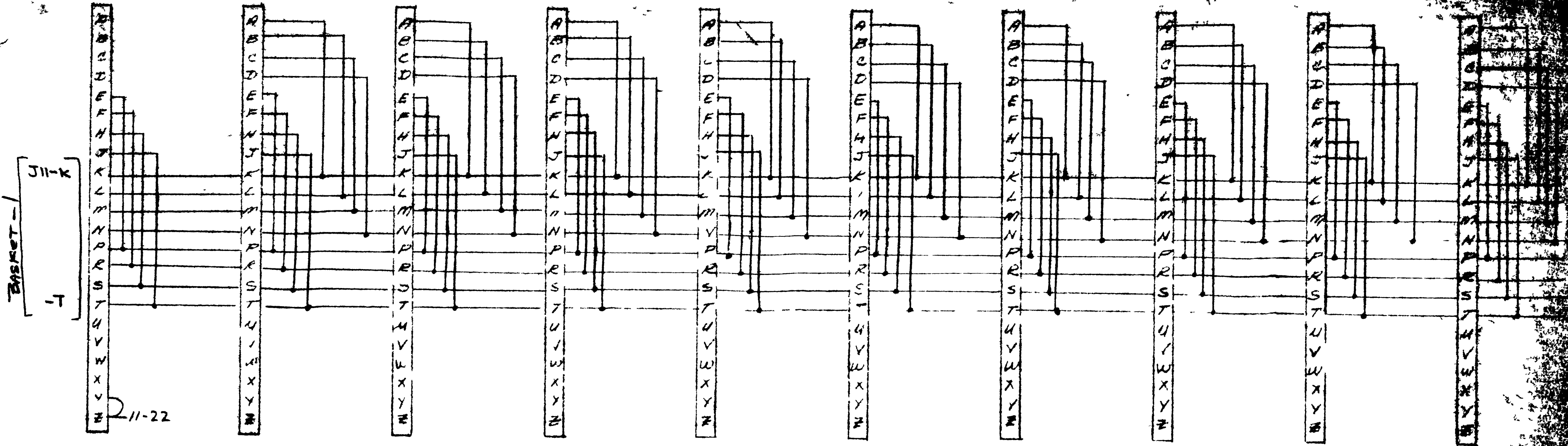
70/71

72/73

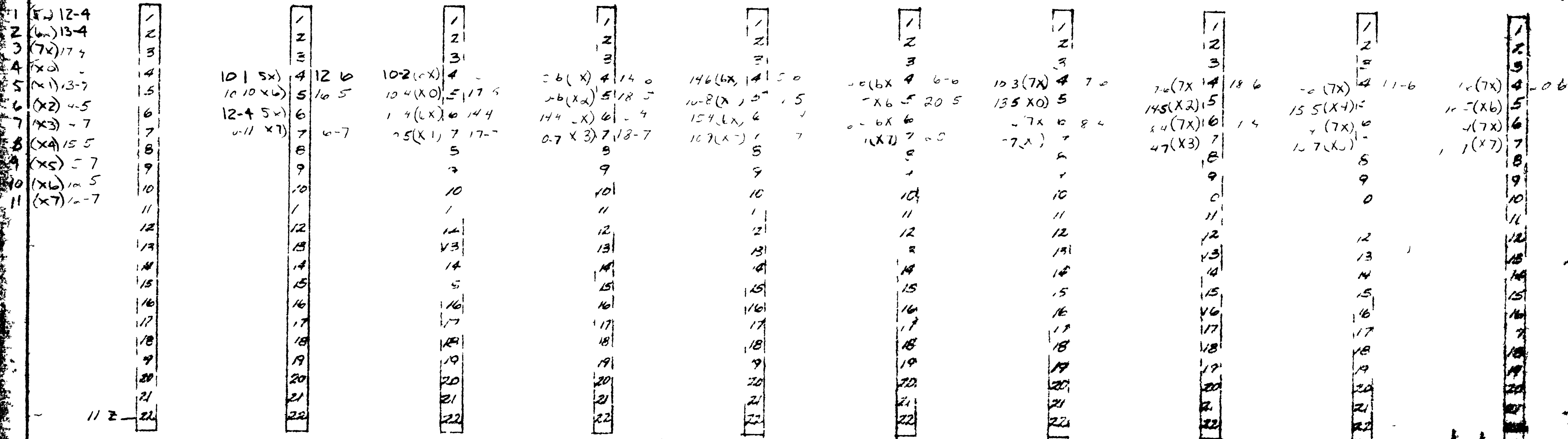
76/77

BASKET 1

REVISED AS BUILT 3-57		edison controls inc	
SUPERIOR		1135	
CARD BOXING		MASTER	



ID ENTER. 2J11 DIS DR 54/55 2J12 HR 56/57 2J13 HR 60/61 2J14 HR 62/63 2J15 HR 64/65 2J16 HR 66/67 2J17 HR 70/71 2J18 HR 72/73 2J19 HR 74/75 2J20 HR 76/77



INTERCONNECT BETWEEN BASKET 1 & 2
 B1-J4-15 → B2-J10-1
 B1-J4-16 → — 11 — 2
 B1-J4-17 → — 11 — 3
 B1-J8-10 → — 11 — 4
 B1-J8-11 → — 11 — 5
 B1-J8-12 → — 11 — 6
 B1-J8-13 → B2-J10-7
 B1-J8-14 → — 11 — 8
 B1-J8-15 → — 11 — 9
 B1-J8-16 → — 11 — 10
 B1-J5-17 → — 11 — 11

A REVISED LIST AS BUILT
 edison controls
 1900 E. 7th Ave. Grand Rapids, Mich.
 SUPERIOR - 113
 CARD BOX 2W RING
 BASKET 2
 MASTER
 SHEET 1/1

1	BUS 13	A	BUS 5
2	BUS 15	B	BUS 7
3	BUS 14	C	BUS 8
4	BUS 12	D	BUS 4
5	(BDO 10)	E	(BDO 7)
6	(BDO 11)	F	(BDO 8)
7	(BDO 12)	G	(BDO 9)
8	(BDO 13)	H	(BDO 5)
9	(BDO 14)	I	(BDO 4)
10	(BDO 15)	J	(BDO 3)
11	(BDO 16)	K	(BDO 2)
12	(BDO 17)	L	(BDO 2)
13	(BDO 18)	M	(BDO 1)
14	(BDO 19)	N	(BDO 0)
15	(SW 18)	O	(SW 5)
16	(SW 19)	P	(SW 4)
17	(SW 20)	Q	(SW 3)
18	(SW 21)	R	(SW 2)
19	(SW 22)	S	(SW 1)
20	(SW 23)	T	(SW 0)
21	(SW 24)	U	(SW 0)
22	(SW 25)	V	(SW 0)
23	(SW 26)	W	(SW 0)
24	(SW 27)	X	(SW 0)
25	(SW 28)	Y	(SW 0)
26	(SW 29)	Z	(SW 0)
27	(SW 30)		
28	(SW 31)		
29	(SW 32)		
30	(SW 33)		
31	(SW 34)		
32	(SW 35)		
33	(SW 36)		
34	(SW 37)		
35	(SW 38)		
36	(SW 39)		
37	(SW 40)		
38	(SW 41)		
39	(SW 42)		
40	(SW 43)		
41	(SW 44)		
42	(SW 45)		
43	(SW 46)		
44	(SW 47)		
45	(SW 48)		
46	(SW 49)		
47	(SW 50)		
48	(SW 51)		
49	(SW 52)		
50	(SW 53)		
51	(SW 54)		
52	(SW 55)		
53	(SW 56)		
54	(SW 57)		
55	(SW 58)		
56	(SW 59)		
57	(SW 60)		
58	(SW 61)		
59	(SW 62)		
60	(SW 63)		
61	(SW 64)		
62	(SW 65)		
63	(SW 66)		
64	(SW 67)		
65	(SW 68)		
66	(SW 69)		
67	(SW 70)		
68	(SW 71)		
69	(SW 72)		
70	(SW 73)		
71	(SW 74)		
72	(SW 75)		
73	(SW 76)		
74	(SW 77)		
75	(SW 78)		
76	(SW 79)		
77	(SW 80)		
78	(SW 81)		
79	(SW 82)		
80	(SW 83)		
81	(SW 84)		
82	(SW 85)		
83	(SW 86)		
84	(SW 87)		
85	(SW 88)		
86	(SW 89)		
87	(SW 90)		
88	(SW 91)		
89	(SW 92)		
90	(SW 93)		
91	(SW 94)		
92	(SW 95)		
93	(SW 96)		
94	(SW 97)		
95	(SW 98)		
96	(SW 99)		
97	(SW 100)		
98	(SW 101)		
99	(SW 102)		
100	(SW 103)		
101	(SW 104)		
102	(SW 105)		
103	(SW 106)		
104	(SW 107)		
105	(SW 108)		
106	(SW 109)		
107	(SW 110)		
108	(SW 111)		
109	(SW 112)		
110	(SW 113)		
111	(SW 114)		
112	(SW 115)		
113	(SW 116)		
114	(SW 117)		
115	(SW 118)		
116	(SW 119)		
117	(SW 120)		
118	(SW 121)		
119	(SW 122)		
120	(SW 123)		
121	(SW 124)		
122	(SW 125)		
123	(SW 126)		
124	(SW 127)		
125	(SW 128)		
126	(SW 129)		
127	(SW 130)		
128	(SW 131)		
129	(SW 132)		
130	(SW 133)		
131	(SW 134)		
132	(SW 135)		
133	(SW 136)		
134	(SW 137)		
135	(SW 138)		
136	(SW 139)		
137	(SW 140)		
138	(SW 141)		
139	(SW 142)		
140	(SW 143)		
141	(SW 144)		
142	(SW 145)		
143	(SW 146)		
144	(SW 147)		
145	(SW 148)		
146	(SW 149)		
147	(SW 150)		
148	(SW 151)		
149	(SW 152)		
150	(SW 153)		
151	(SW 154)		
152	(SW 155)		
153	(SW 156)		
154	(SW 157)		
155	(SW 158)		
156	(SW 159)		
157	(SW 160)		
158	(SW 161)		
159	(SW 162)		
160	(SW 163)		
161	(SW 164)		
162	(SW 165)		
163	(SW 166)		
164	(SW 167)		
165	(SW 168)		
166	(SW 169)		
167	(SW 170)		
168	(SW 171)		
169	(SW 172)		
170	(SW 173)		
171	(SW 174)		
172	(SW 175)		
173	(SW 176)		
174	(SW 177)		
175	(SW 178)		
176	(SW 179)		
177	(SW 180)		
178	(SW 181)		
179	(SW 182)		
180	(SW 183)		
181	(SW 184)		
182	(SW 185)		
183	(SW 186)		
184	(SW 187)		
185	(SW 188)		
186	(SW 189)		
187	(SW 190)		
188	(SW 191)		
189	(SW 192)		
190	(SW 193)		
191	(SW 194)		
192	(SW 195)		
193	(SW 196)		
194	(SW 197)		
195	(SW 198)		
196	(SW 199)		
197	(SW 200)		
198	(SW 201)		
199	(SW 202)		
200	(SW 203)		
201	(SW 204)		
202	(SW 205)		
203	(SW 206)		
204	(SW 207)		
205	(SW 208)		
206	(SW 209)		
207	(SW 210)		
208	(SW 211)		
209	(SW 212)		
210	(SW 213)		
211	(SW 214)		
212	(SW 215)		
213	(SW 216)		
214	(SW 217)		
215	(SW 218)		
216	(SW 219)		
217	(SW 220)		
218	(SW 221)		
219	(SW 222)		
220	(SW 223)		
221	(SW 224)		
222	(SW 225)		
223	(SW 226)		
224	(SW 227)		
225	(SW 228)		
226	(SW 229)		
227	(SW 230)		
228	(SW 231)		
229	(SW 232)		
230	(SW 233)		
231	(SW 234)		
232	(SW 235)		
233	(SW 236)		
234	(SW 237)		
235	(SW 238)		
236	(SW 239)		
237	(SW 240)		
238	(SW 241)		
239	(SW 242)		
240	(SW 243)		
241	(SW 244)		
242	(SW 245)		
243	(SW 246)		
244	(SW 247)		
245	(SW 248)		
246	(SW 249)		
247	(SW 250)		
248	(SW 251)		
249	(SW 252)		
250	(SW 253)		
251	(SW 254)		
252	(SW 255)		
253	(SW 256)		
254	(SW 257)		
255	(SW 258)		
256	(SW 259)		
257	(SW 260)		
258	(SW 261)		
259	(SW 262)		
260	(SW 263)		
261	(SW 264)		
262	(SW 265)		
263	(SW 266)		
264	(SW 267)		
265	(SW 268)		
266	(SW 269)		
267	(SW 270)		
268	(SW 271)		
269	(SW 272)		
270	(SW 273)		
271	(SW 274)		
272	(SW 275)		
273	(SW 276)		
274	(SW 277)		
275	(SW 278)		
276	(SW 279)		
277	(SW 280)		
278	(SW 281)		
279	(SW 282)		
280	(SW 283)		
281	(SW 284)		
282	(SW 285)		
283	(SW 286)		
284	(SW 287)		
285	(SW 288)		
286	(SW 289)		
287	(SW 290)		
288	(SW 291)		
289	(SW 292)		
290	(SW 293)		
291	(SW 294)		
292	(SW 295)		
293	(SW 296)		
294	(SW 297)		
295	(SW 298)		
296	(SW 299)		
297	(SW 300)		
298	(SW 301)		
299	(SW 302)		
300	(SW 303)		
301	(SW 304)		
302	(SW 305)		
303	(SW 306)		
304	(SW 307)		
305	(SW 308)		
306	(SW 309)		
307	(SW 310)		
308	(SW 311)		
309	(SW 312)		
310	(SW 313)		
311	(SW 314)		
312	(SW 315)		
313	(SW 316)		
314	(SW 317)		
315	(SW 318)		
316	(SW 319)		
317	(SW 320)		
318	(SW 321)		
319	(SW 322)		
320	(SW 323)		
321	(SW 324)		
322	(SW 325)		
323	(SW 326)		
324	(SW 327)		
325	(SW 328)		
326	(SW 329)		
327	(SW 330)		
328	(SW 331)		
329	(SW 332)		
330	(SW 333)		
331	(SW 334)		
332	(SW 335)		
333	(SW 336)		
334	(SW 337)		
335	(SW 338)		
336	(SW 339)		
337	(SW 340)		
338	(SW 341)		
339	(SW 342)		
340	(SW 343)		
341	(SW 344)		
342	(SW 345)		
343	(SW 346)		
344	(SW 347)		
345	(SW 348)		
346	(SW 349)		
347	(SW 350)		
348	(SW 351)		
349	(SW 352)		
350	(SW 353)		
351	(SW 354)		
352	(SW 355)		
353	(SW 356)		
354	(SW 357)		
355	(SW 358)		
356	(SW 359)		
357	(SW 360)		
358	(SW 361)		
359	(SW 362)		
360	(SW 363)		
361	(SW 364)		
362	(SW 365)		
363	(SW 366)		
364	(SW 367)		
365	(SW 368)		
366	(SW 369)		
367	(SW 370)		
368	(SW 371)		
369	(SW 372)		
370	(SW 373)		
371	(SW 374)		
372	(SW 375)		
373	(SW 376)		
374	(SW 377)		
375	(SW 378)		
376	(SW 379)		
377	(SW 380)		
378	(SW 381)		
379	(SW 382)		
380	(SW 383)		
381	(SW 384)		
382	(SW 385)		
383	(SW 386)		
384	(SW 387)		
385	(SW 388)		
386	(SW 389)		
387	(SW 390)		
388	(SW 391)		
389	(SW 392)		
390	(SW 393)		
391	(SW 394)		
392	(SW 395)		
393	(SW 396)		
394	(SW 397)		
395	(SW 398)		
396	(SW 399)		
397	(SW 400)		
398	(SW 401)		
399	(SW 402)		
400	(SW 403)		

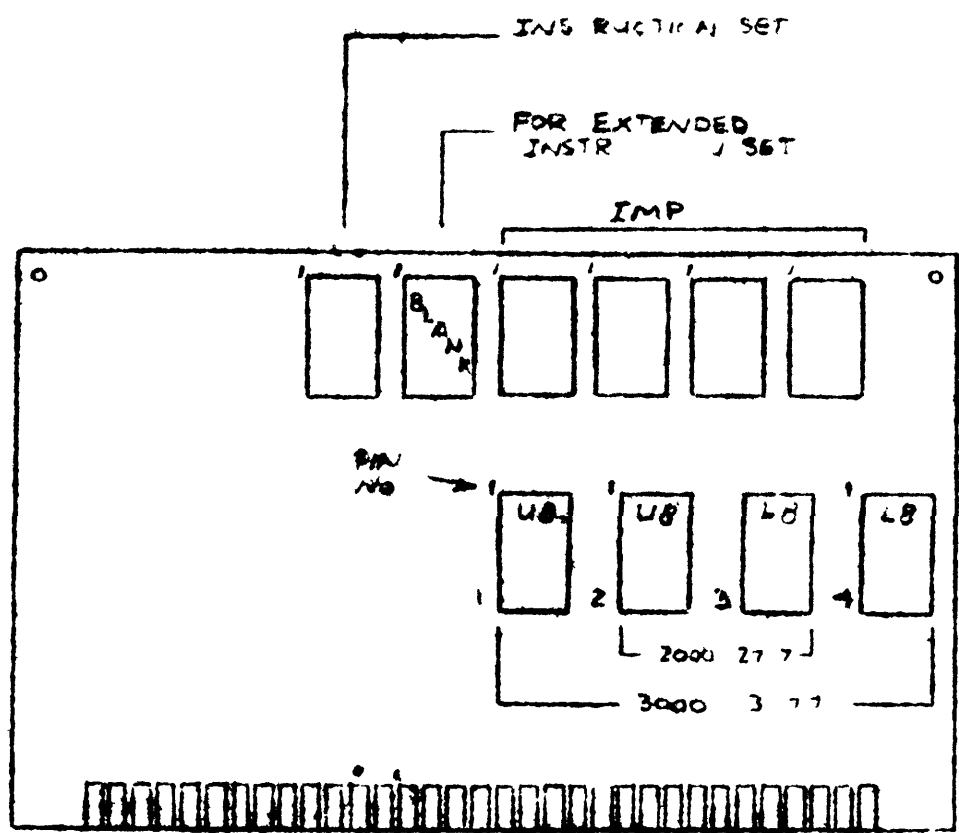
A	BUS 13	A	BUS
B	BUS 15	B	BUS 7
C	BUS 14	C	BUS 0
D	BUS 12	D	BUS 4
E	(BDO 15)	E	(BDO 7)
F	(BDO 14)	F	(BDO 6)
G	(BDO 13)	G	(BDO 5)
H	(BDO 12)	H	(BDO 4)
I	(BDO 11)	I	(BDO 3)
J	(BDO 10)	J	(BDO 2)
K	(BDO 9)	K	(BDO 1)
L	(BDO 8)	L	(BDO 0)
M	(SW 13)	M	(SW 2)
N	(SW 12)	N	(SW 1)
O	(SW 11)	O	(SW 0)
P	(SW 10)	P	(SW 0)
Q	(SW 9)	Q	(SW 0)
R	(SW 8)	R	(SW 0)
S	BUS 9	S	BUS
T	BUS 11	T	BUS 3
U	BUS 5	U	BUS 0
V	BUS 0	V	BUS 2

IMP I/O
J4

IMP I/O
J5

1		1	INTERRUPT
2		2	
3		3	
4	(SW 15)	4	(SW 7)
5	(SW 14)	5	(SW 6)
6	(J 15)	6	(INTRA)
7	(ADX 5)	7	(ADX 2)
8	(AUX 4)	8	(ADX 1)
9	(ADX 3)	9	(ADX 0)
10	ADDR 0X	10	ADDR 10
11	ADDR 1X	11	ADDR 1
12	ADDR 2X	12	ADDR 2
13	ADDR 3X	13	ADDR 3
14	ADDR 4X	14	ADDR 4
15	ADDR 5X	15	ADDR 5
16	ADDR 6X	16	ADDR 6
17	ADDR 7X	17	ADDR 7
18		18	
19		19	(WRPF)
20		20	(C 49)
21		21	(RDPF)
22		22	

UNIT B2
BILLINGS PARK
DISTRICT NO 46



ADDRESSING 0000 RAM
1777
2000 I NER PROMS
2777
3000 JETER PROMS
3777

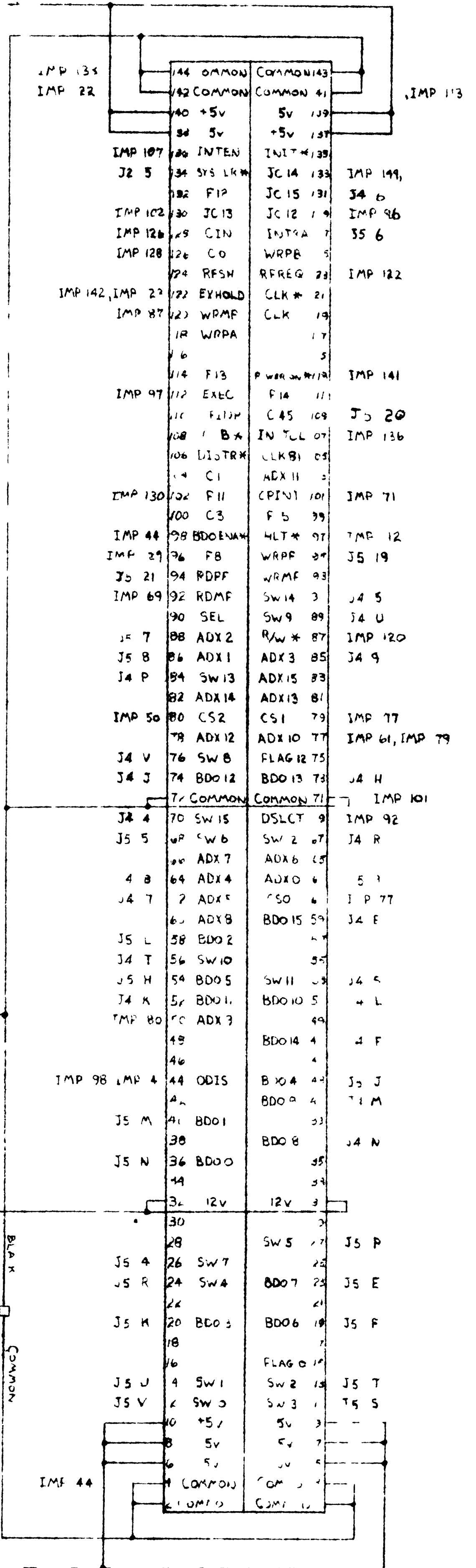
A	REVISED AS BUILT	3 5 78
B	REVISED AS BUILT	2 9 78
C	CHANGED WIRING FOR ADD SW	11-1-78

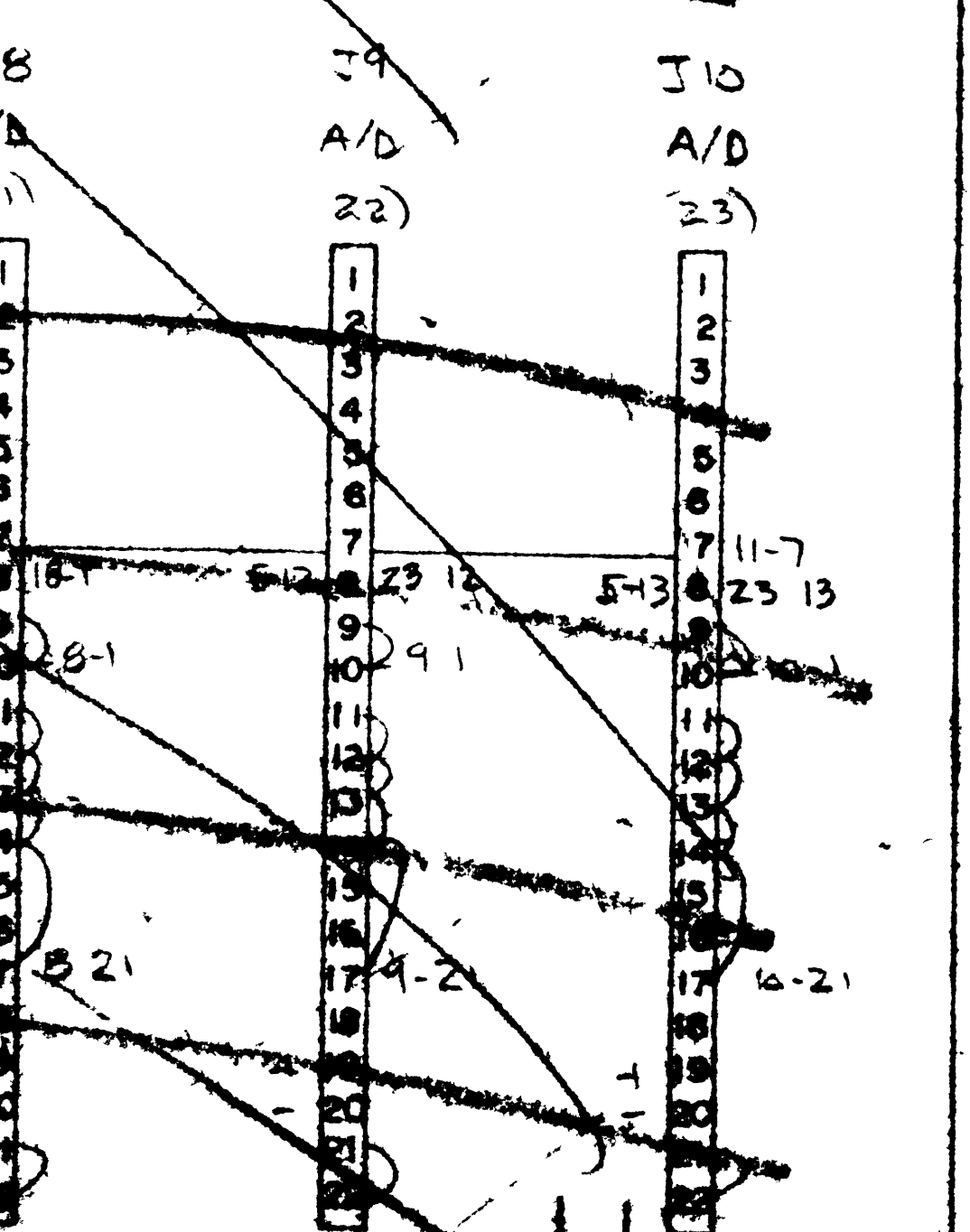
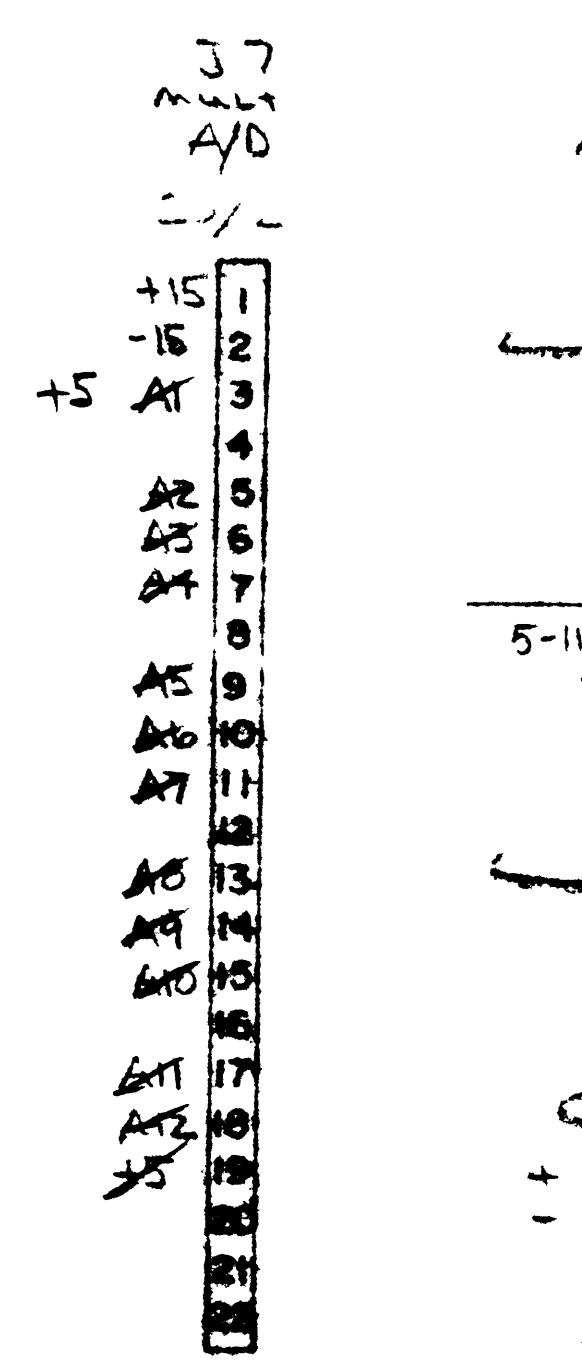
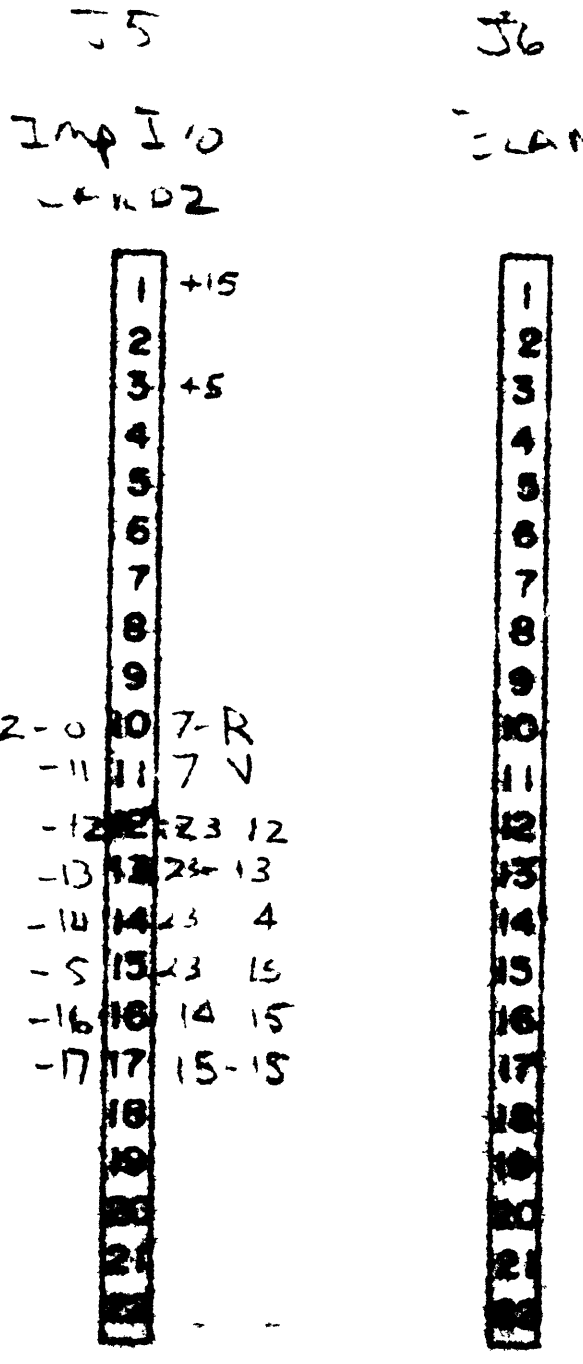
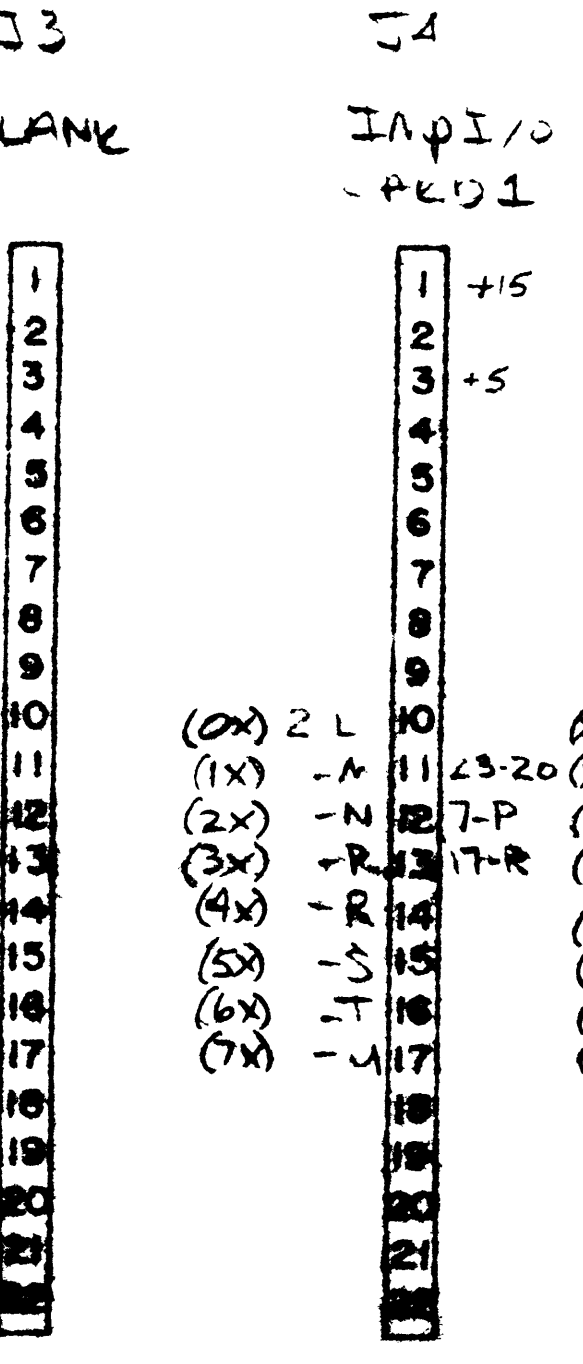
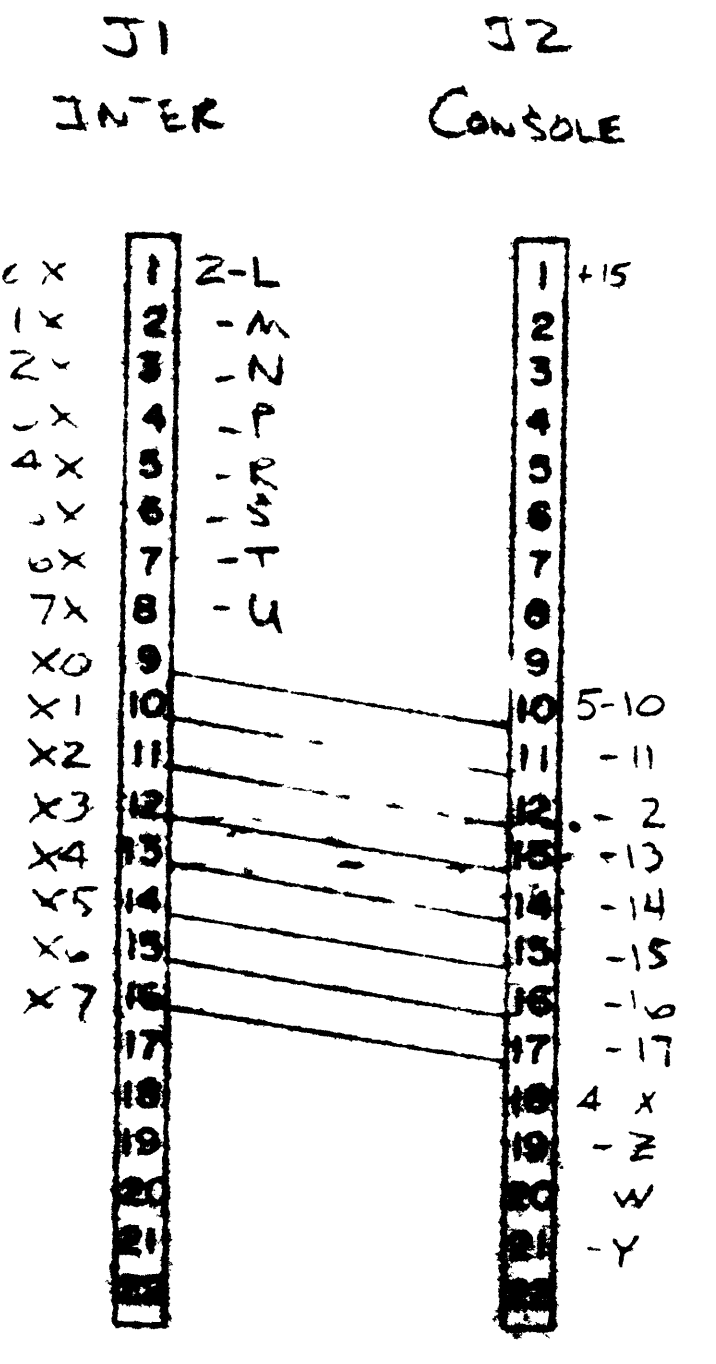
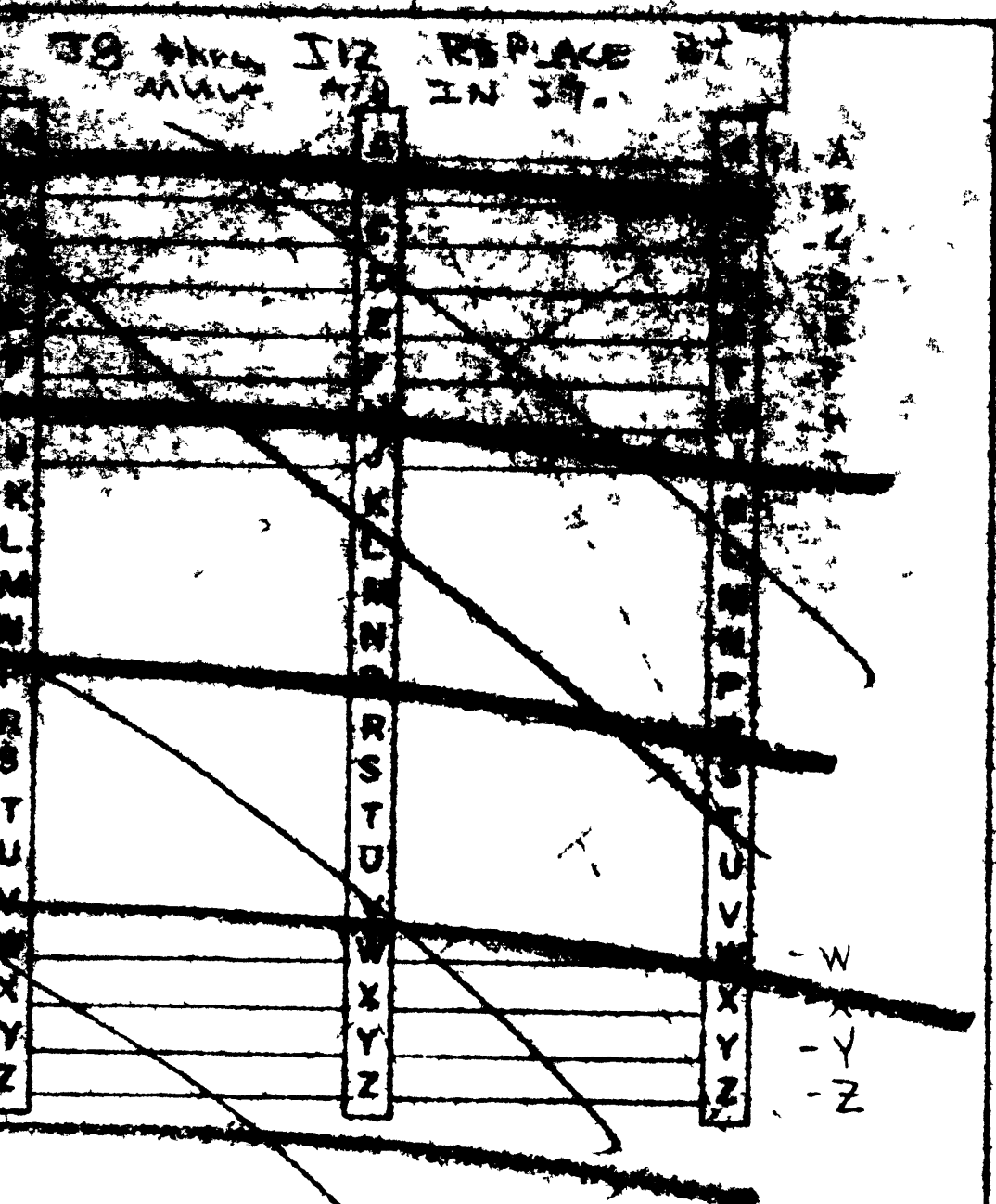
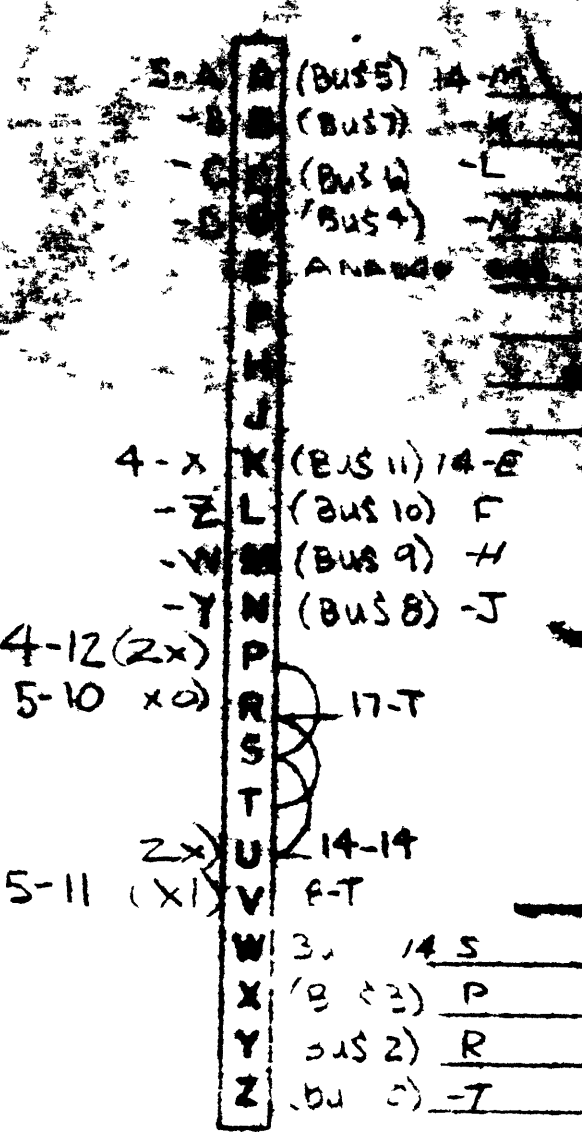
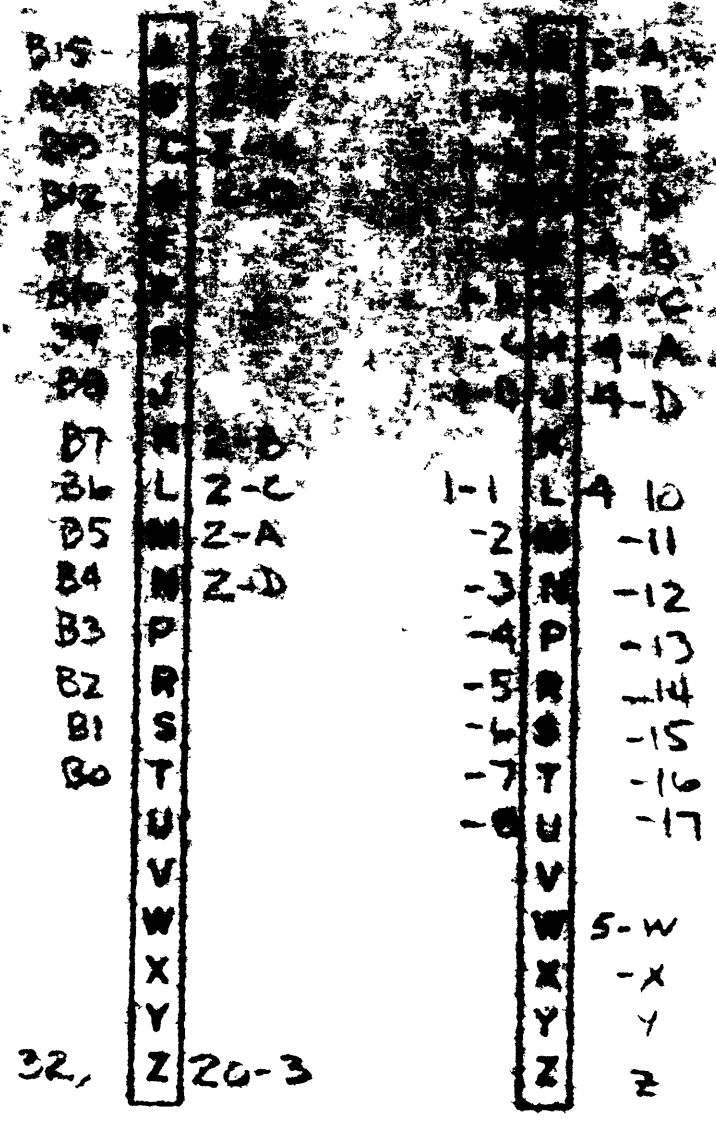
IMP WIRING
Ranoff

Edison Controls Inc.
3000 & PARK CENTER ST. ST. LOUIS, MO. 63103

Supervise Wls. 1135

B1135-C80-B2





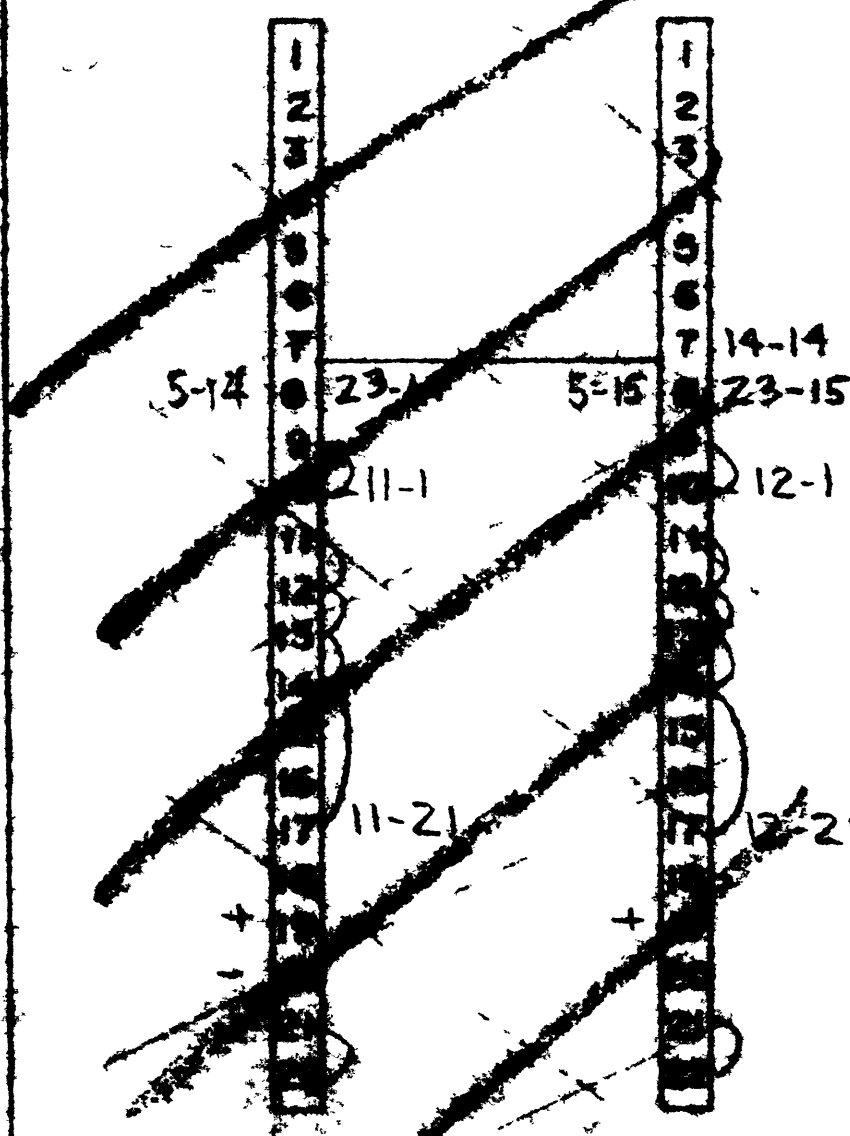
UNIT B1
South Superior
DISTRICT No. 5

A REVISED 3-5-7		EDISON CONTROL INC	
SUPERIOR		CARD BOX WIRING BASKET	
1003		1003	

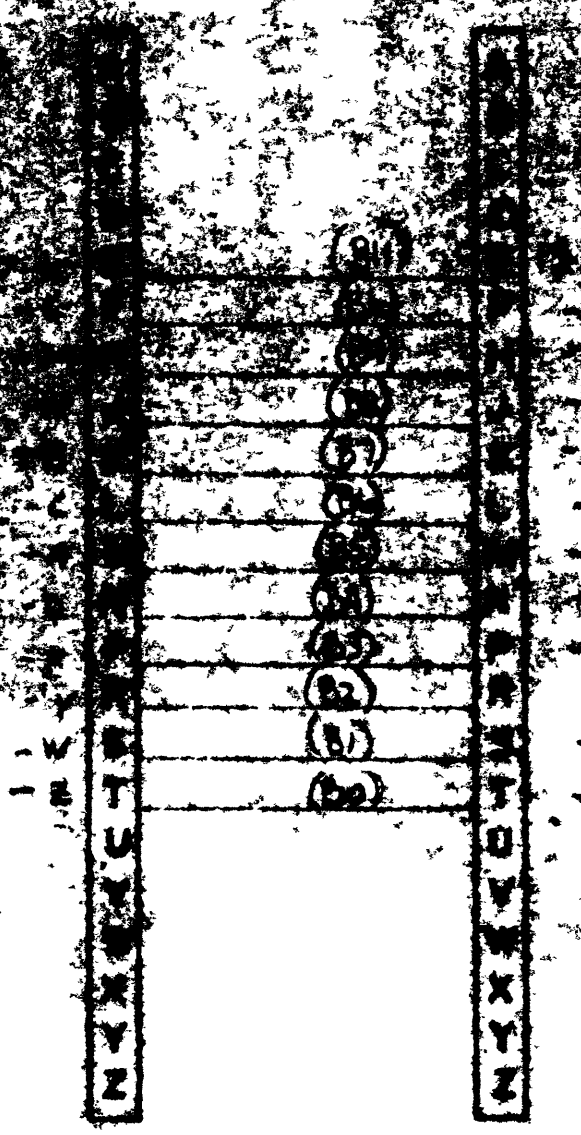


J11
A/D
(24)

J12
A/D
(25)

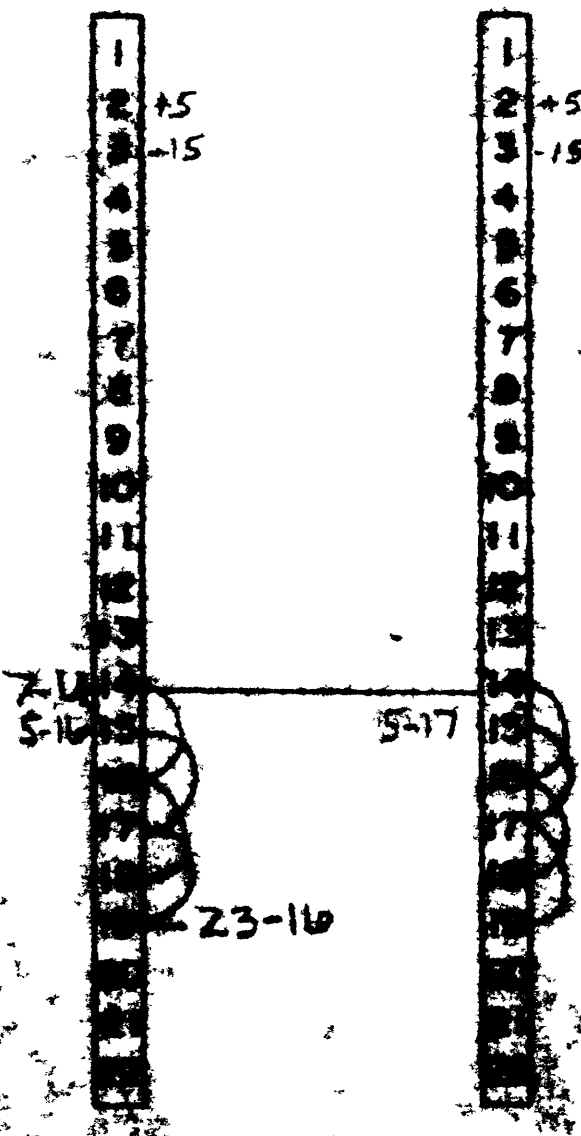


J13
BLANK

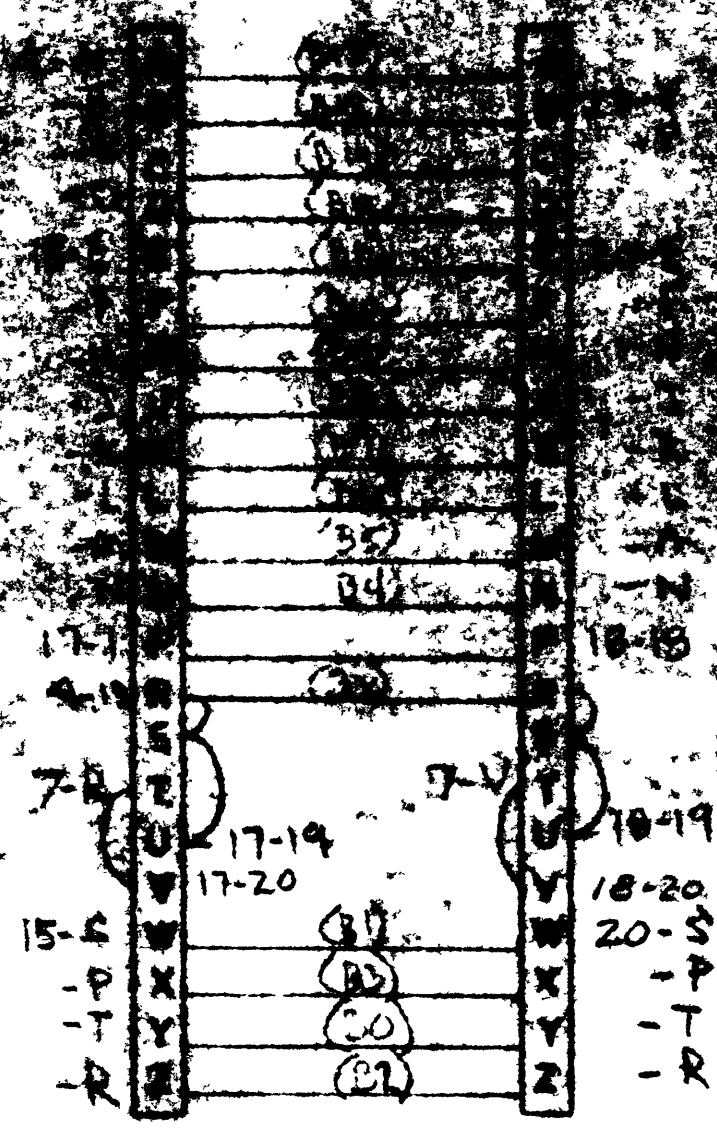


J14
D/A
(26)

J15
D/A
(27)

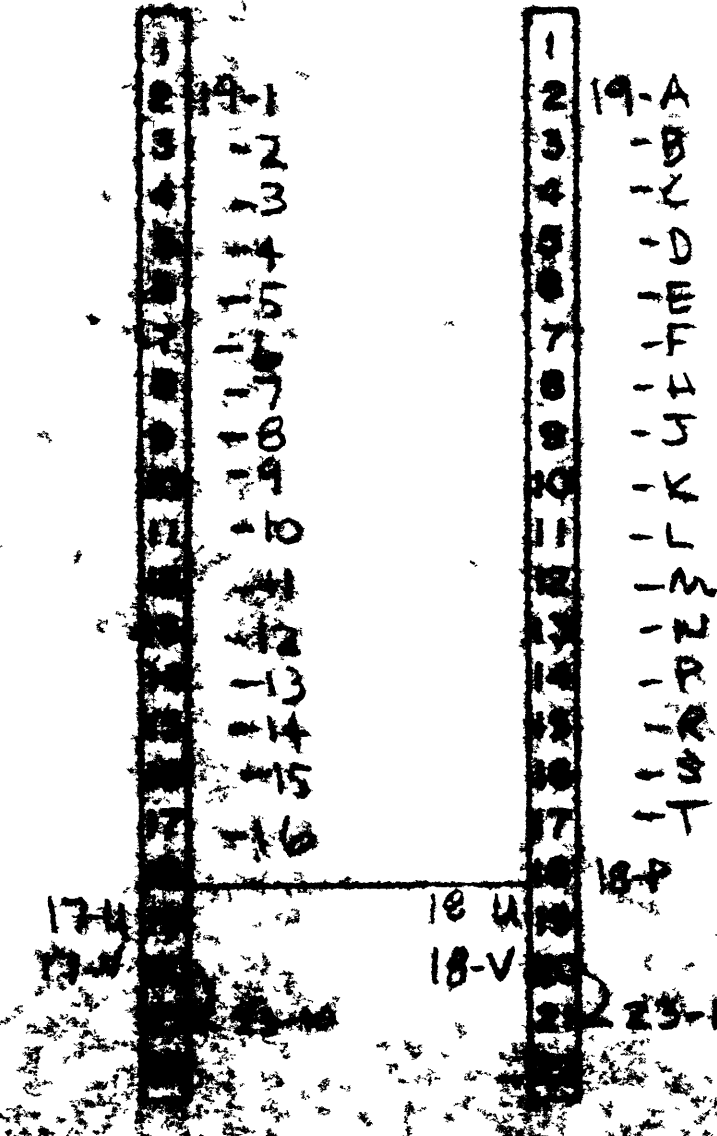


J16
BLANK



J17
DATA
MUX
(30)

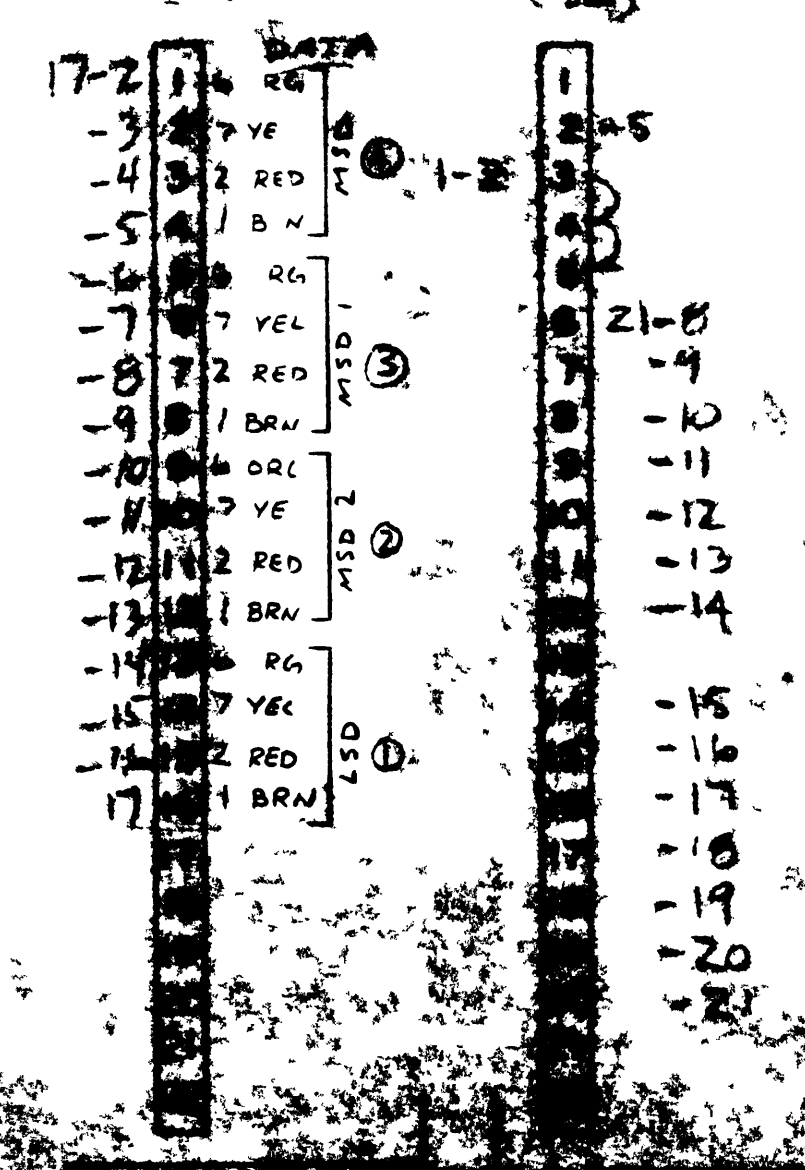
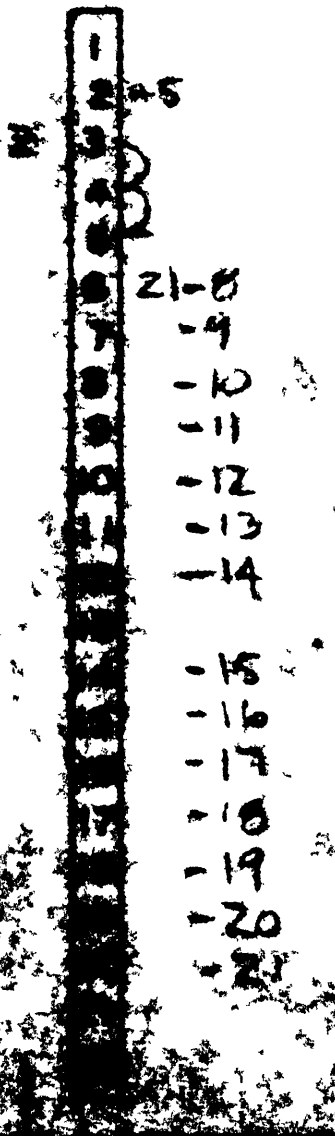
J18
POINT
ENTER SW
MUX
(31)



J19
Pd. Bd



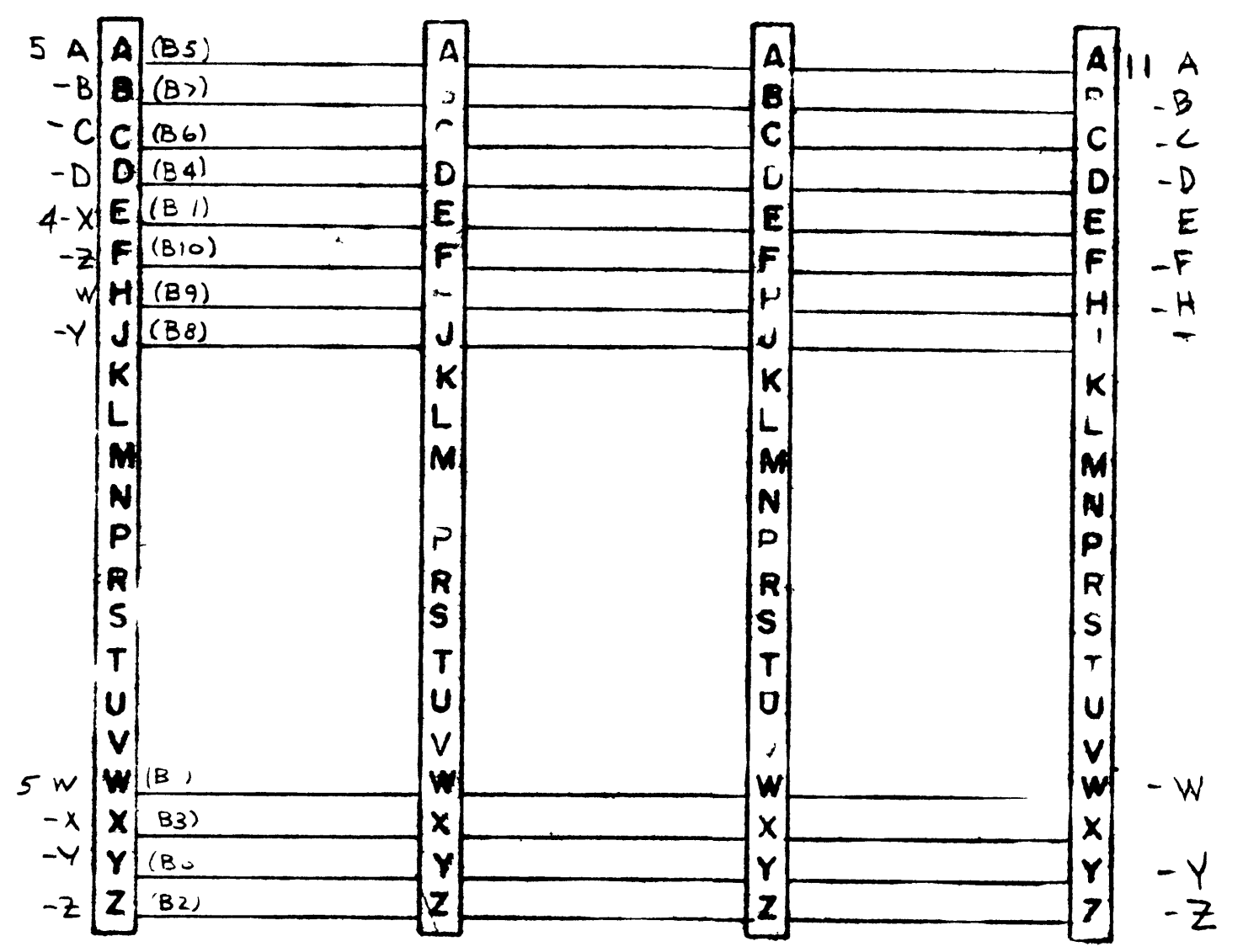
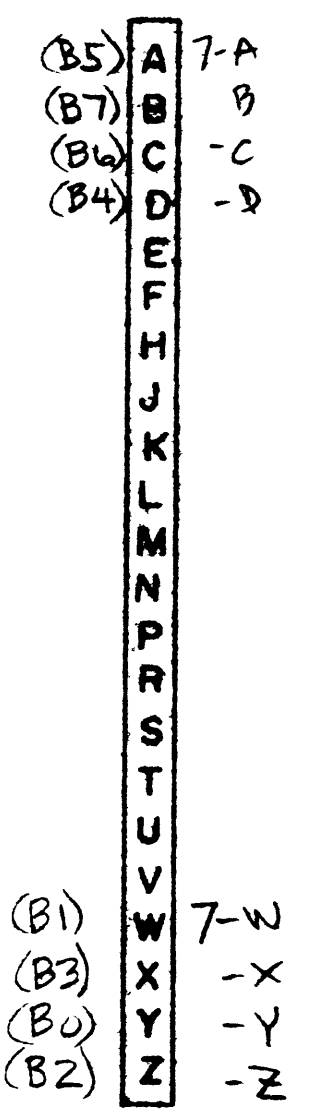
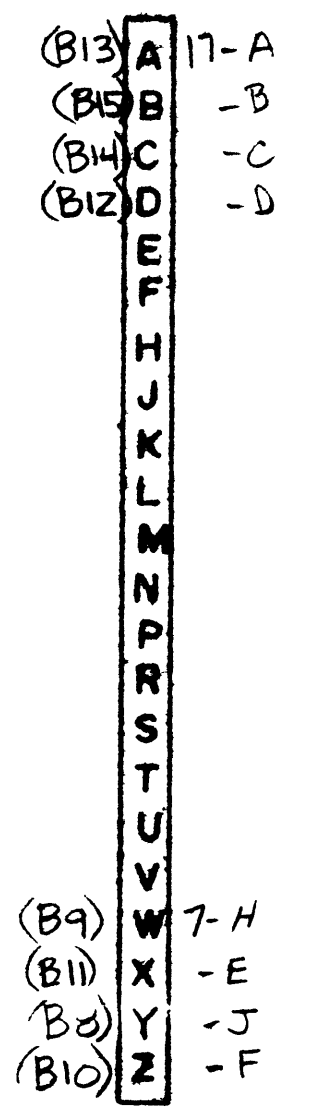
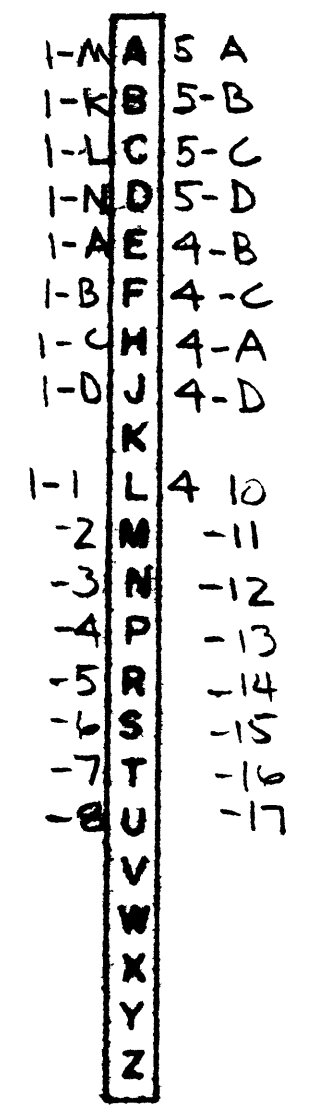
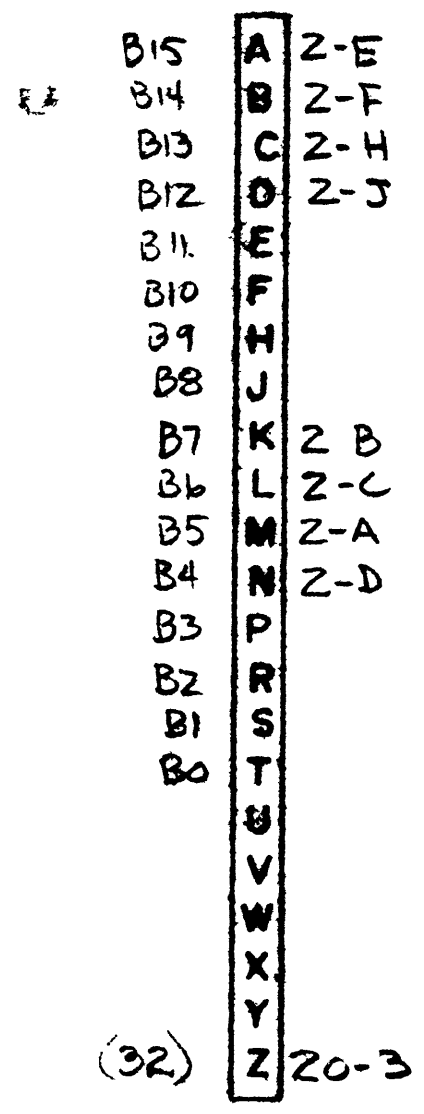
J20
DIS. OR
(32)



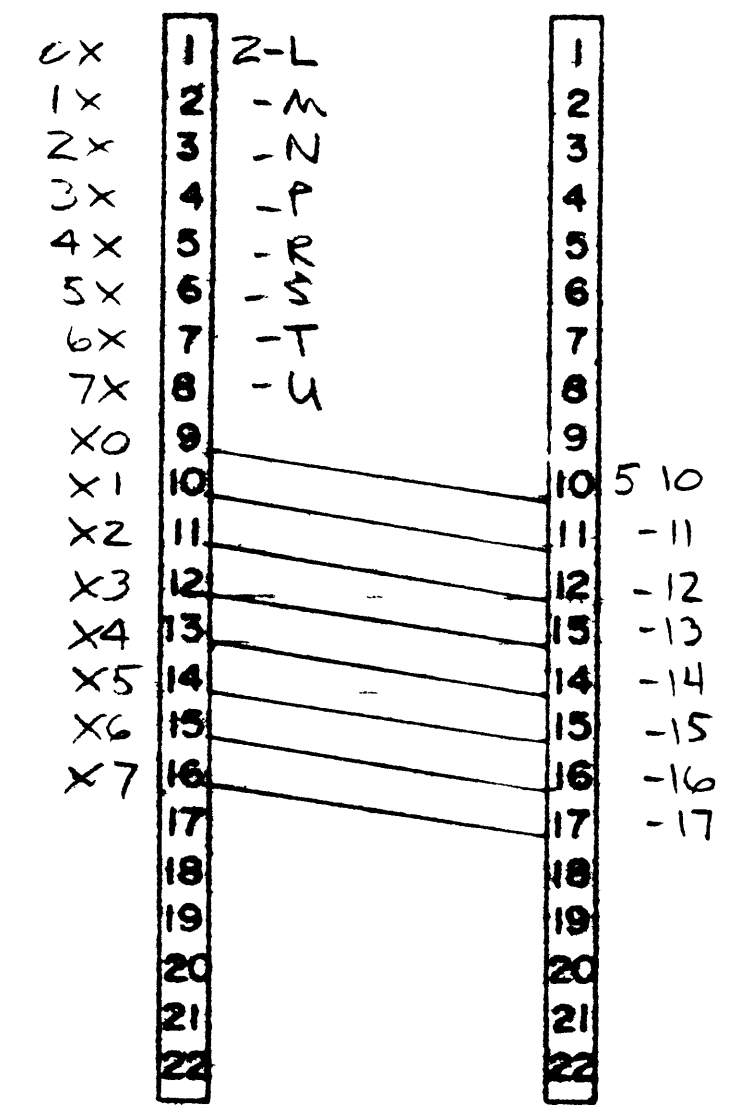
ORG
YEL
RED
BRN
ORG
YEL
RED
BRN

DATA
MUX
1 MSD
2 MSD
3 MSD
4 MSD
5 MSD
6 MSD
7 MSD
8 MSD
9 MSD
10 MSD
11 MSD
12 MSD
13 MSD
14 MSD
15 MSD
16 MSD
17 MSD

21-8
-9
-10
-11
-12
-13
-14
-15
-16
-17
-18
-19
-20
-21



J1
INTER

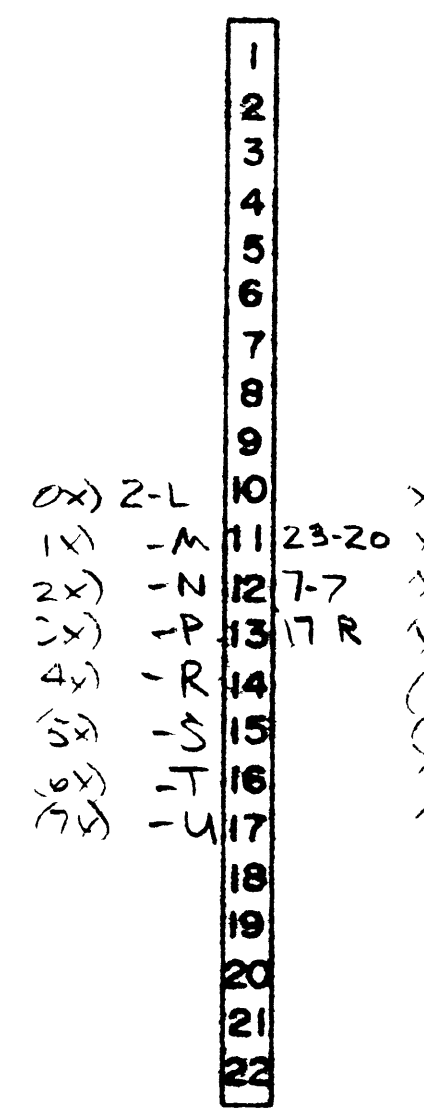


J2
CONSOLE

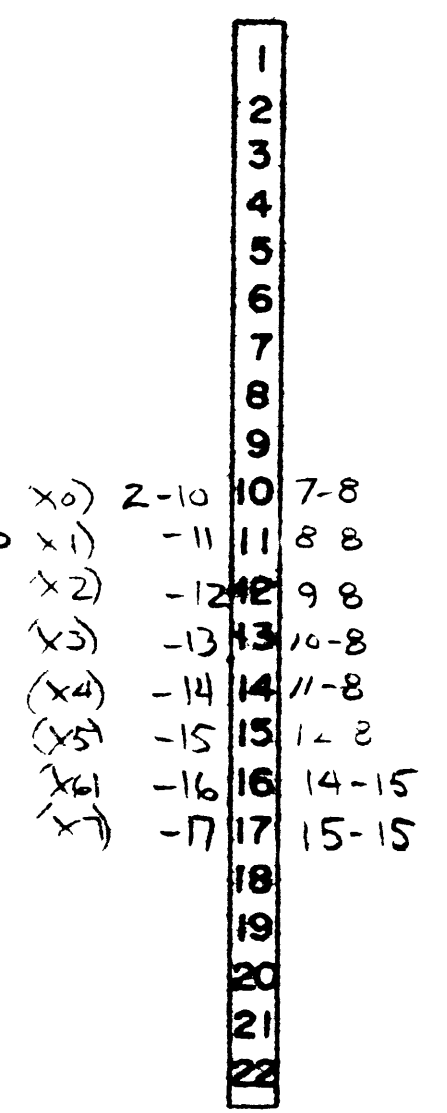
J3
BLANK



J4
IMP I/O
CARD 1



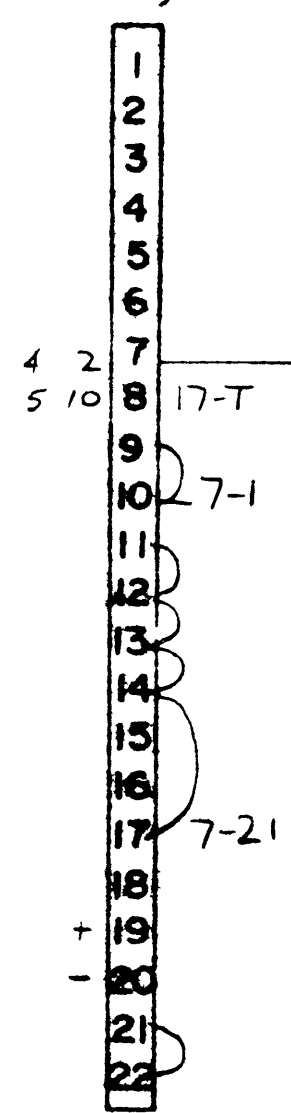
J5
IMP I/O
CARD 2



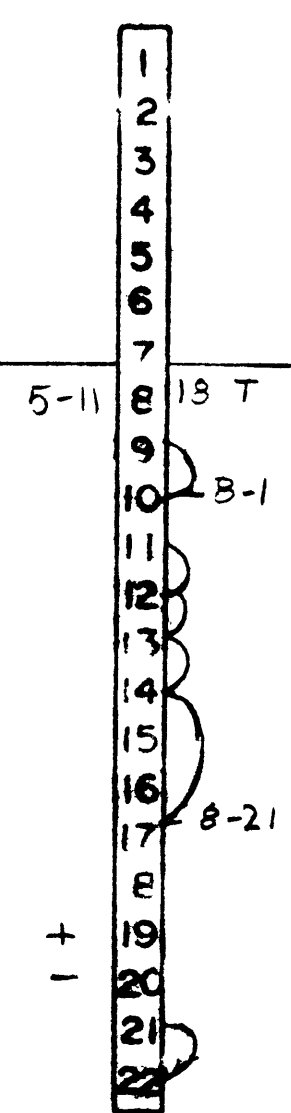
J6
BLANK



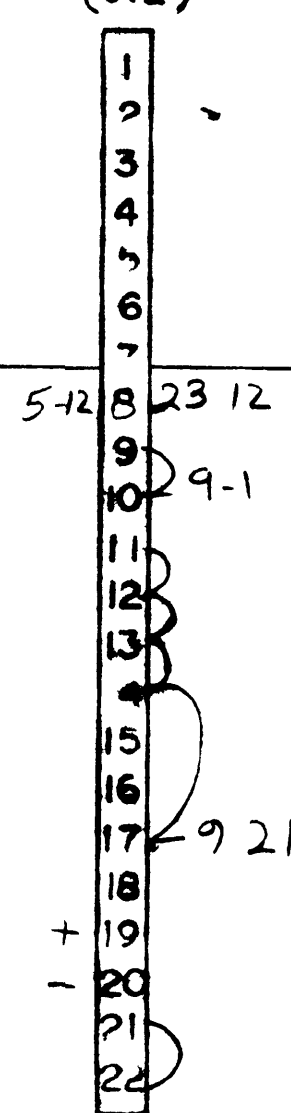
J7
A/D
(20)



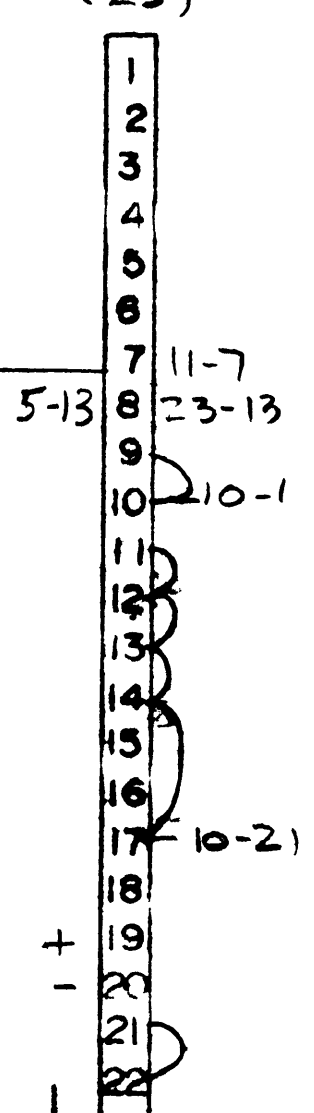
J8
A/D
(21)




J9
A/D
(22)

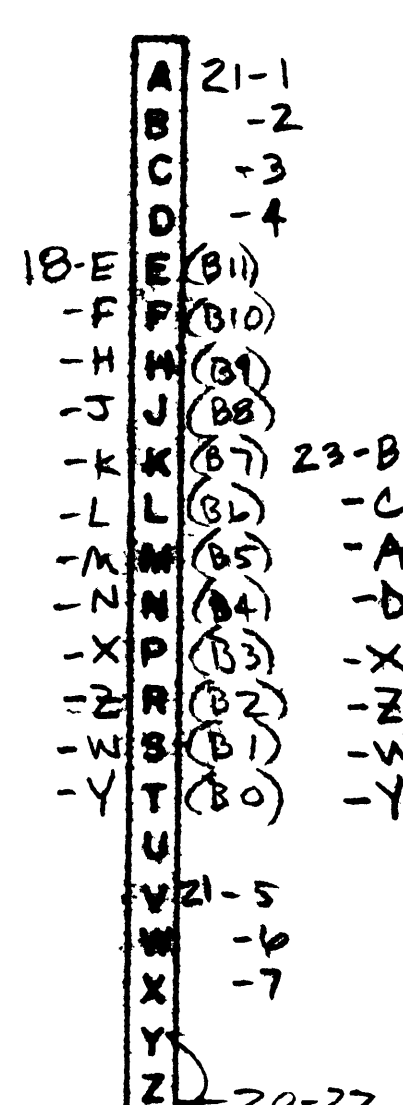
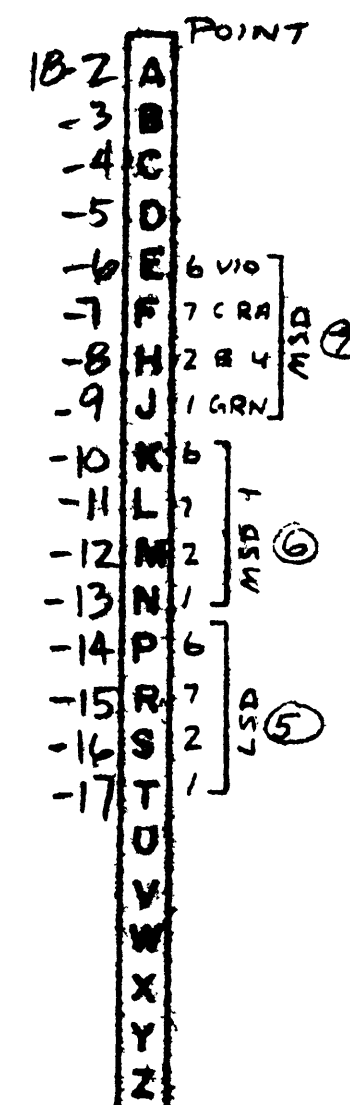
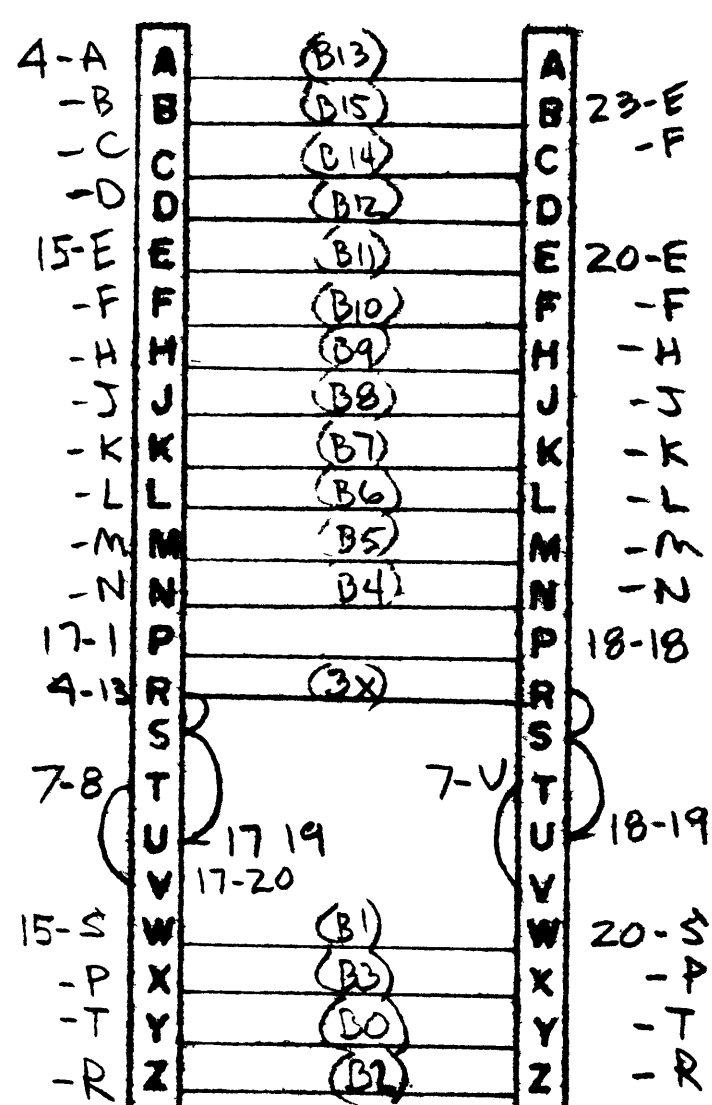
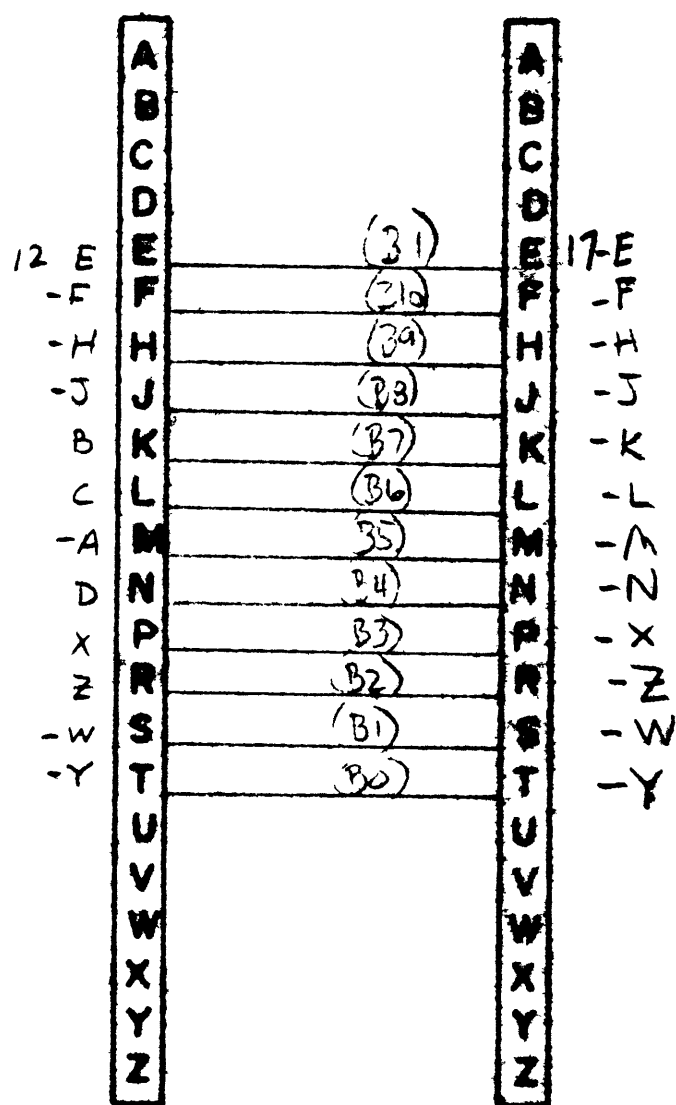
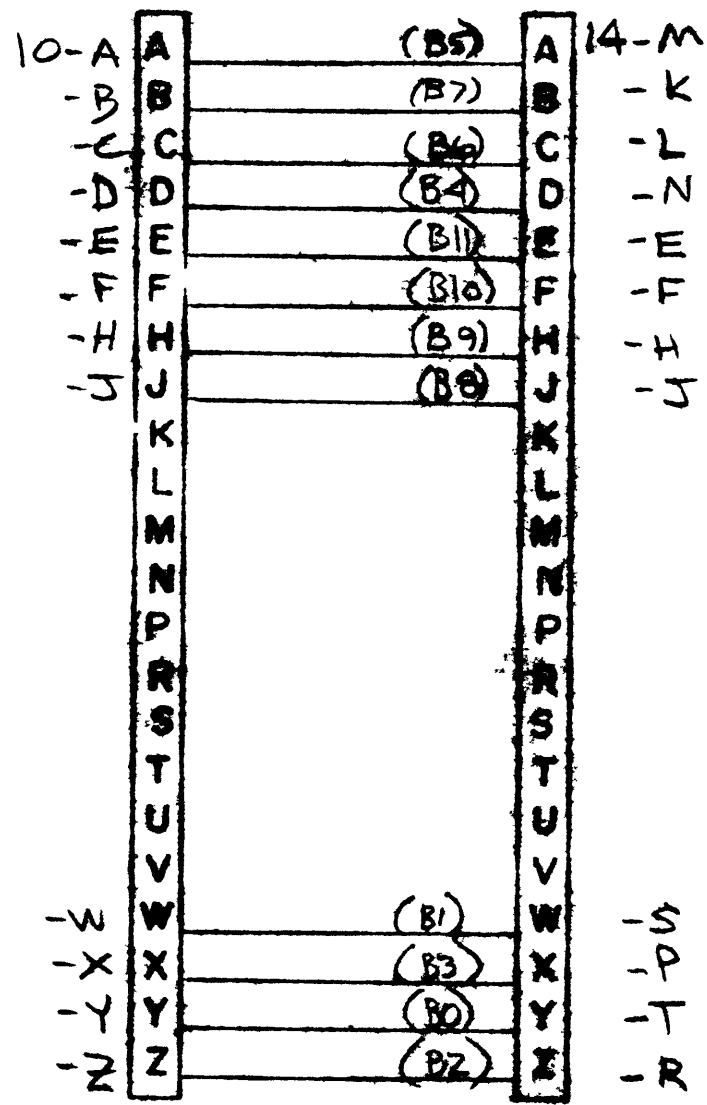


J10
A/D
(23)



UNIT B2
BILLINGS PARK
DISTRICT NO. 6

A REVISED AS BUILT 3-6-78		REV NONE
 edison controls inc 2602 E WAVE NORTH T PAUL IDAHO		
SUPERIOR		
CARD BOX WIRING BASKET 1		B1135-CB-BZ SHEET 1 OF 3



J11
A/O
(24)

J12
A/D
(25)

J13
BLANK

J14
D/A
(26)

J15
D/A
(27)

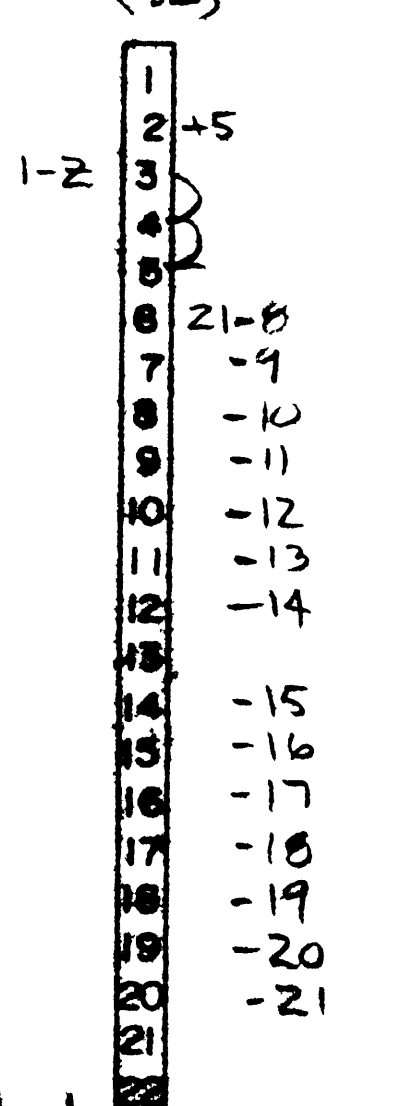
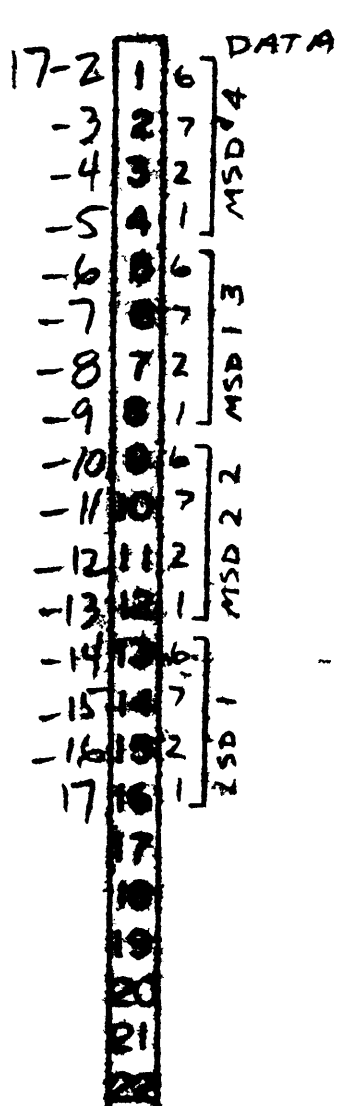
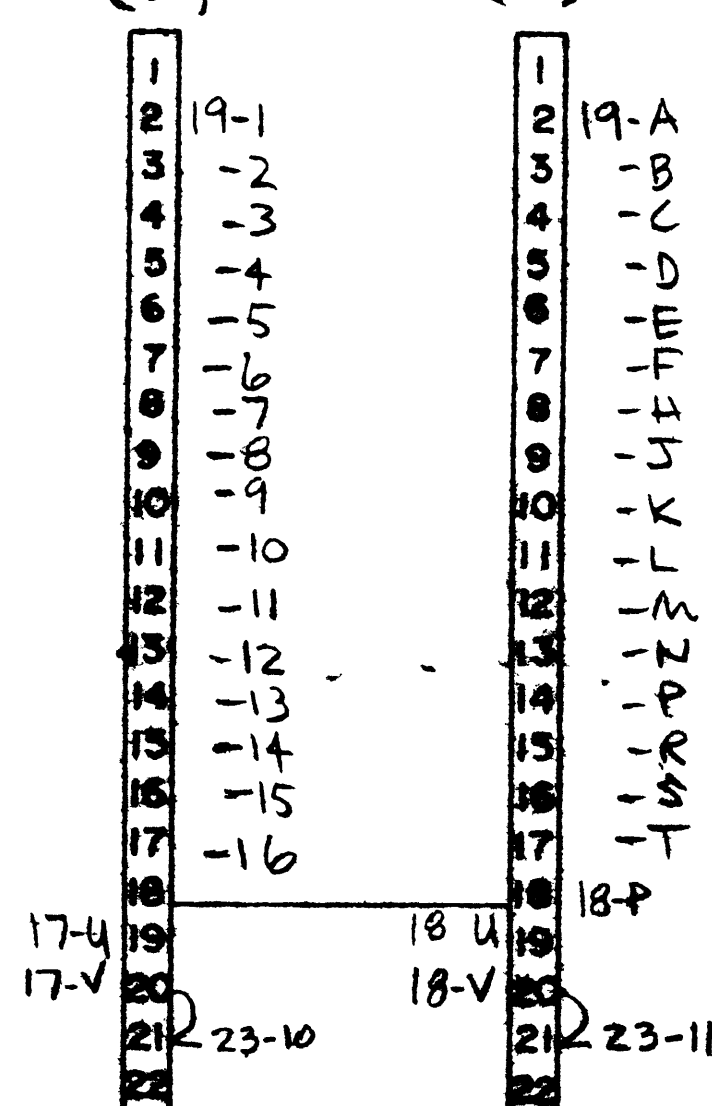
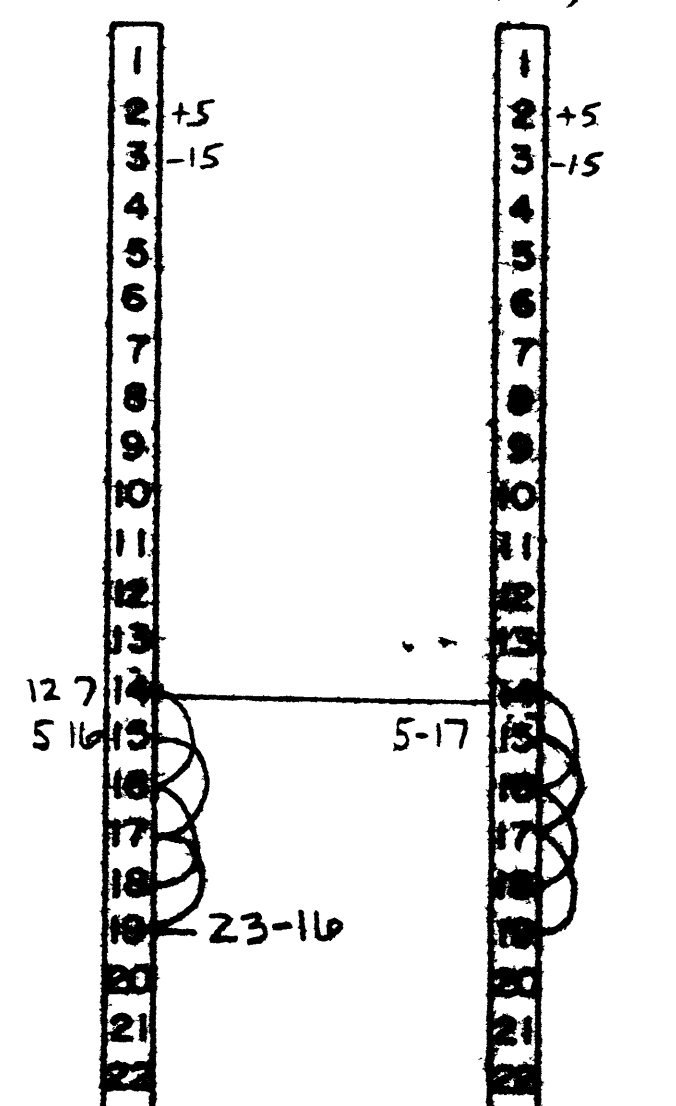
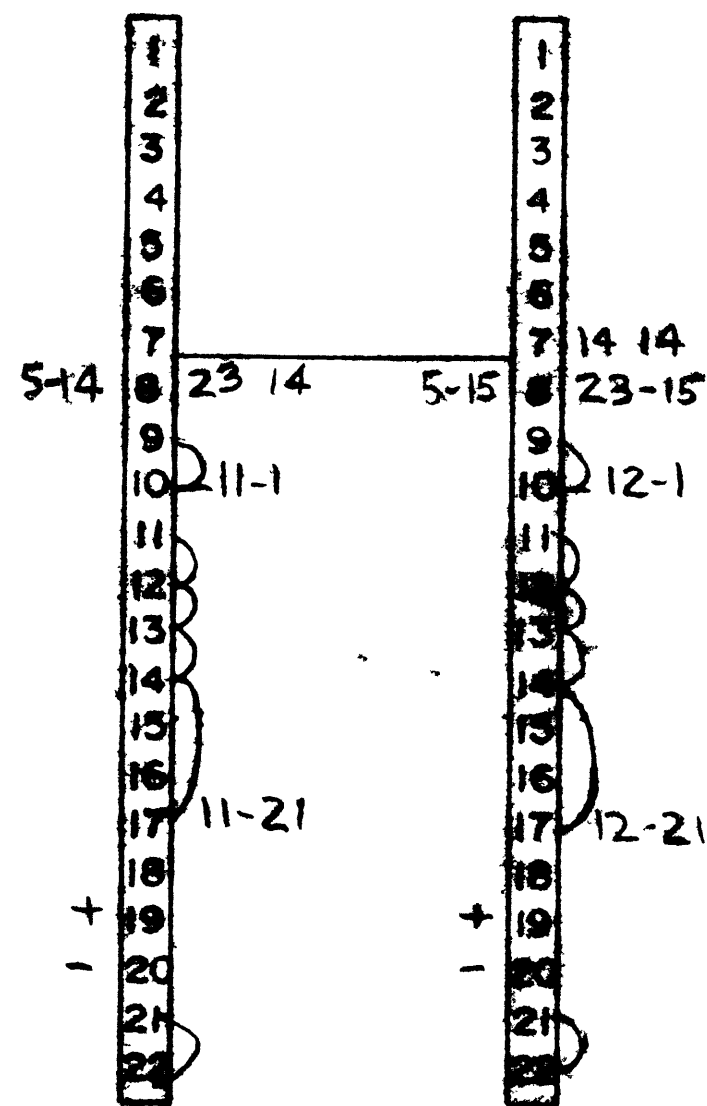
J16
BLANK

DATA
J17
MUX
(30)

POINT
J18
MUX
(31)

J19
Pd. Bd

J20
DIS. DR
(32)



UNIT B2
BILLINGS PARK
DISTRICT No 6

A REVISED AS BUILT 3-15-78		SUPERIOR	
edison controls inc.		CARD BOX WIRING	
SUPERIOR		BELLINGS-PARK-B2 SHEET 2 OF 3	

CHAWN

1951

A
B
C
D
E
F
G
H
I
J
K
L
M
N
O
P
Q
R
S
T
U
V
W
X
Y
Z

A
B
C
D
E
F
G
H
I
J
K
L
M
N
O
P
Q
R
S
T
U
V
W
X
Y
Z

A
B
C
D
E
F
G
H
I
J
K
L
M
N
O
P
Q
R
S
T
U
V
W
X
Y
Z

A
B
C
D
E
F
G
H
I
J
K
L
M
N
O
P
Q
R
S
T
U
V
W
X
Y
Z

A
B
C
D
E
F
G
H
I
J
K
L
M
N
O
P
Q
R
S
T
U
V
W
X
Y
Z

A
B
C
D
E
F
G
H
I
J
K
L
M
N
O
P
Q
R
S
T
U
V
W
X
Y
Z

A
B
C
D
E
F
G
H
I
J
K
L
M
N
O
P
Q
R
S
T
U
V
W
X
Y
Z

A
B
C
D
E
F
G
H
I
J
K
L
M
N
O
P
Q
R
S
T
U
V
W
X
Y
Z


A
B
C
D
E
F
G
H
I
J
K
L
M
N
O
P
Q
R
S
T
U
V
W
X
Y
Z

A
B
C
D
E
F
G
H
I
J
K
L
M
N
O
P
Q
R
S
T
U
V
W
X
Y
Z

A
B
C
D
E
F
G
H
I
J
K
L
M
N
O
P
Q
R
S
T
U
V
W
X
Y
Z

A
B
C
D
E
F
G
H
I
J
K
L
M
N
O
P
Q
R
S
T
U
V
W
X
Y
Z

UNIT B2
BILLINGS PARK
DISTRICT No 6

A		REVISED AS	3-5-7	REVISIONS
 edison controls inc <small>2803 S 7TH AVE. NORTH ST. PAUL, MINN.</small>				
DATE	NO.	PROJECT NO.	NO.	
		SV002102	1135	
CARD BOX WIRING BASKET 1		SHEET 3 OF 3		A
		81135-581-82		

81
82
83
84
85
86
87
88
89
90

92

0X
1X
2X
3X
4X
5X
6X
7X
X0
X1
X2
X3
X4
X5
X6
X7

0

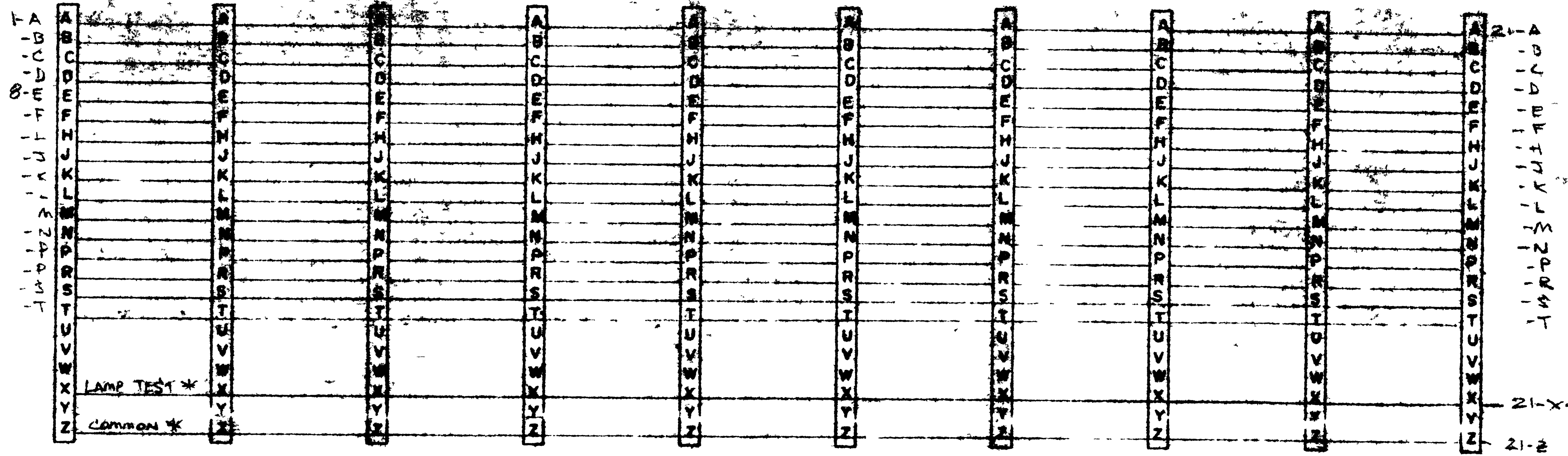
2

3

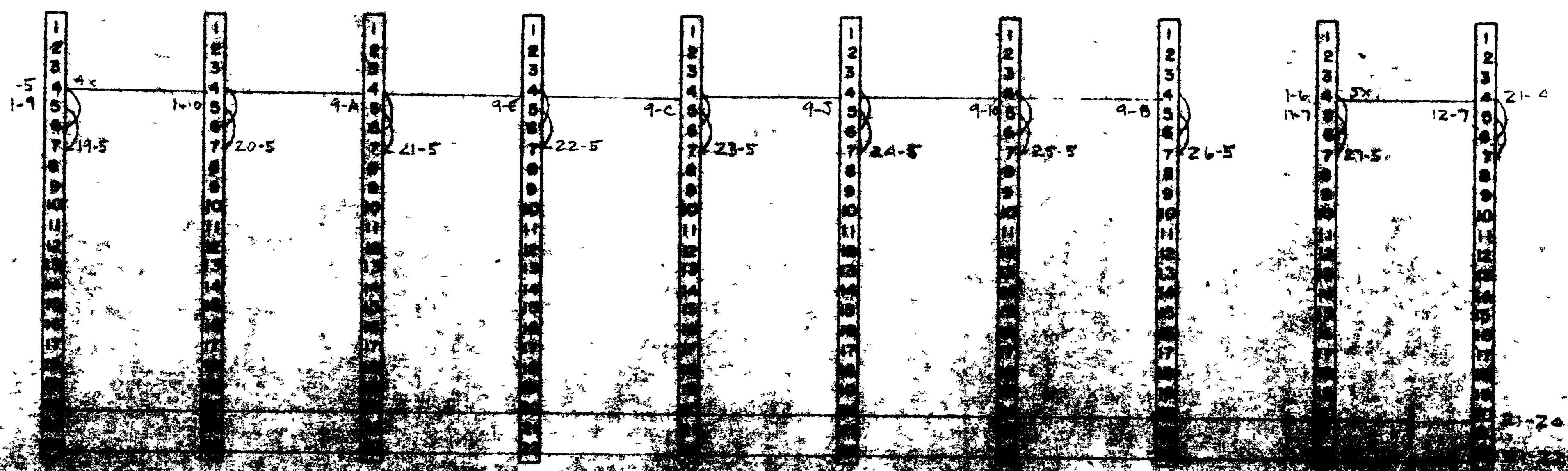
1

3

1	VIO	} 1 LSD
2	BLU	
3	GRN	
4	YEL	
5	ORG	
6	BRN	
7	RED	
8	VIO	} 2 MSD-1
9	BLU	
0	GRN	
1	YEL	} 3 MSD
2	ORG	
3	BRN	
4	RED	} GRAY
5	VIO	
6	BLU	
7	GRN	
8	YEL	
9	ORG	
0	BRN	
1	RED	
2	GRAY	

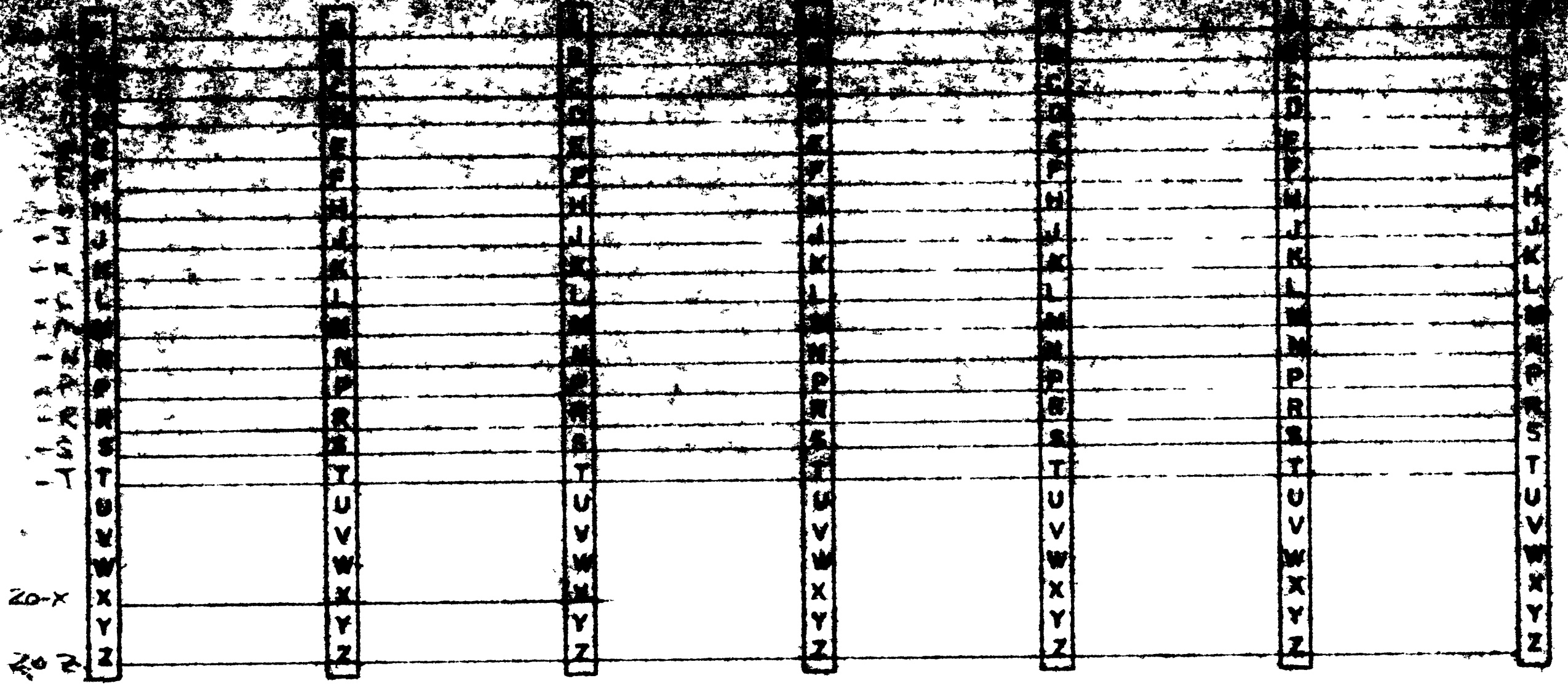


J11 HR/DR 4
 J12 HR/DR 4
 J13 HR/DR 42
 J14 HR/DR 43
 J15 HR/DR 44
 J16 HR/DR 45
 J17 HR/DR 46
 J18 HR/DR 47
 J19 HR/DR 48
 J20 HR/DR 49

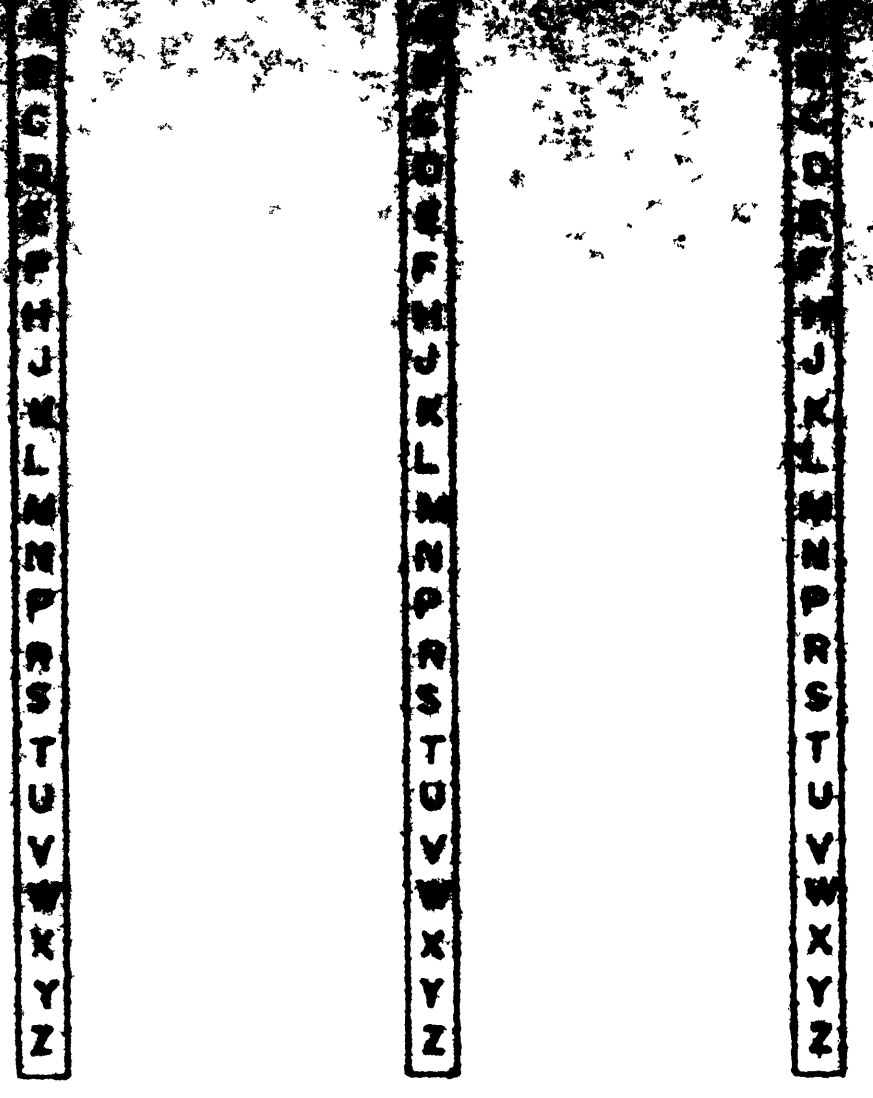


CIVIL B1
 SOUTH SUPERIOR
 DISTRICT 2ND F





20-X
20-Y



J21 LR/DR 52
 J22 HR/DR 53
 J23 HR/DR 54
 J24 HR/DR 55
 J25 LR/DR 56
 J26 LR/DR 57
 J27 HR/DR 58



20-4
18-5

14-7

6-7

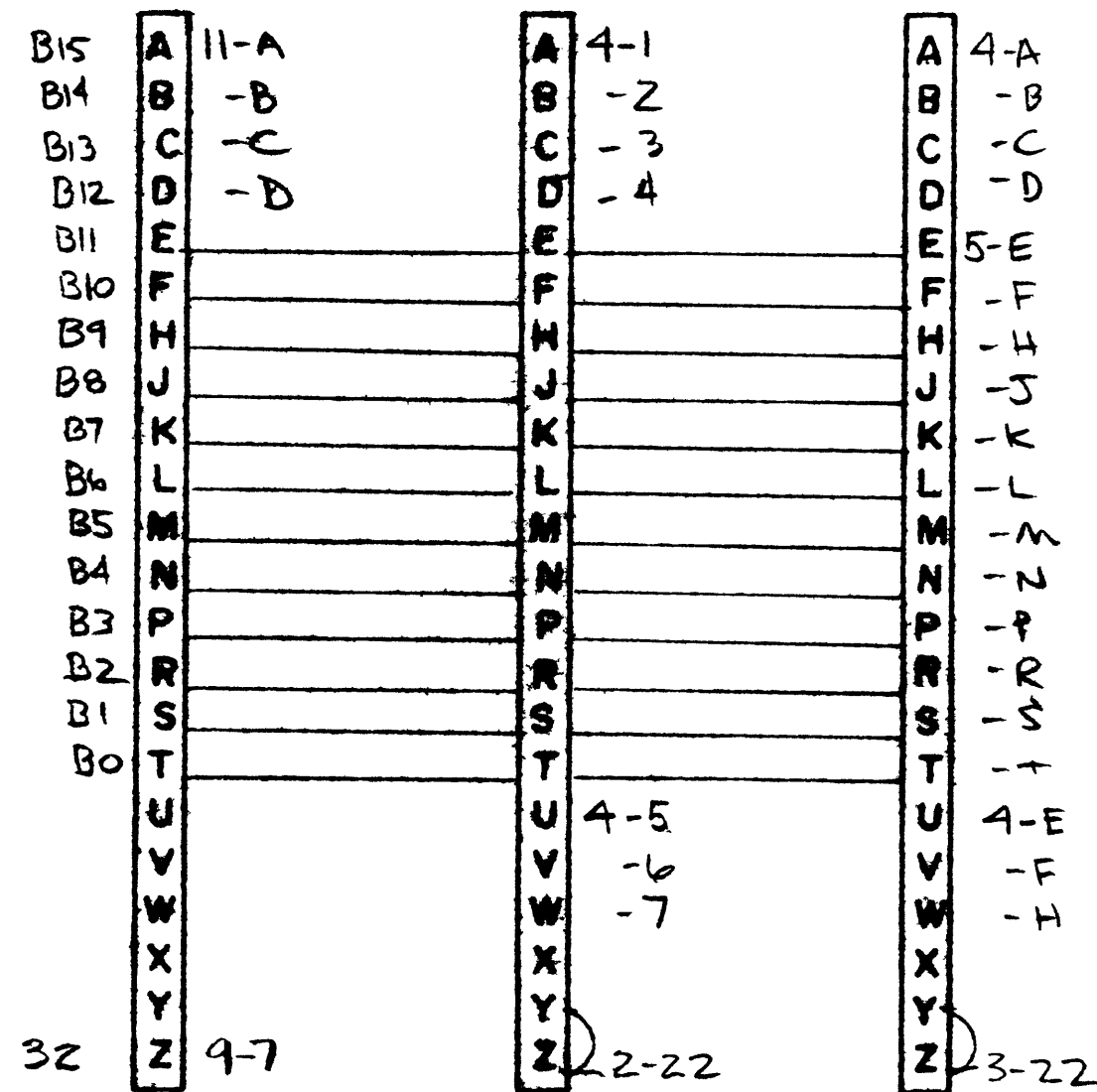
16-7

17-7

18-7

1-7
1-7 (8)

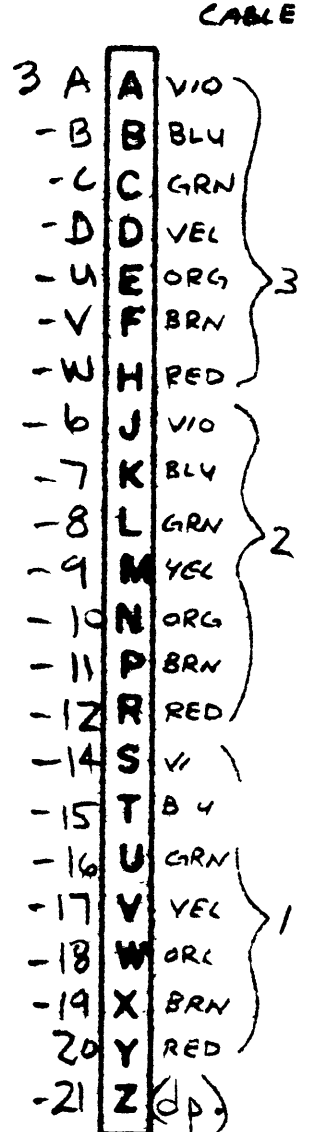




J1
INTER

J2
DIS DR
33

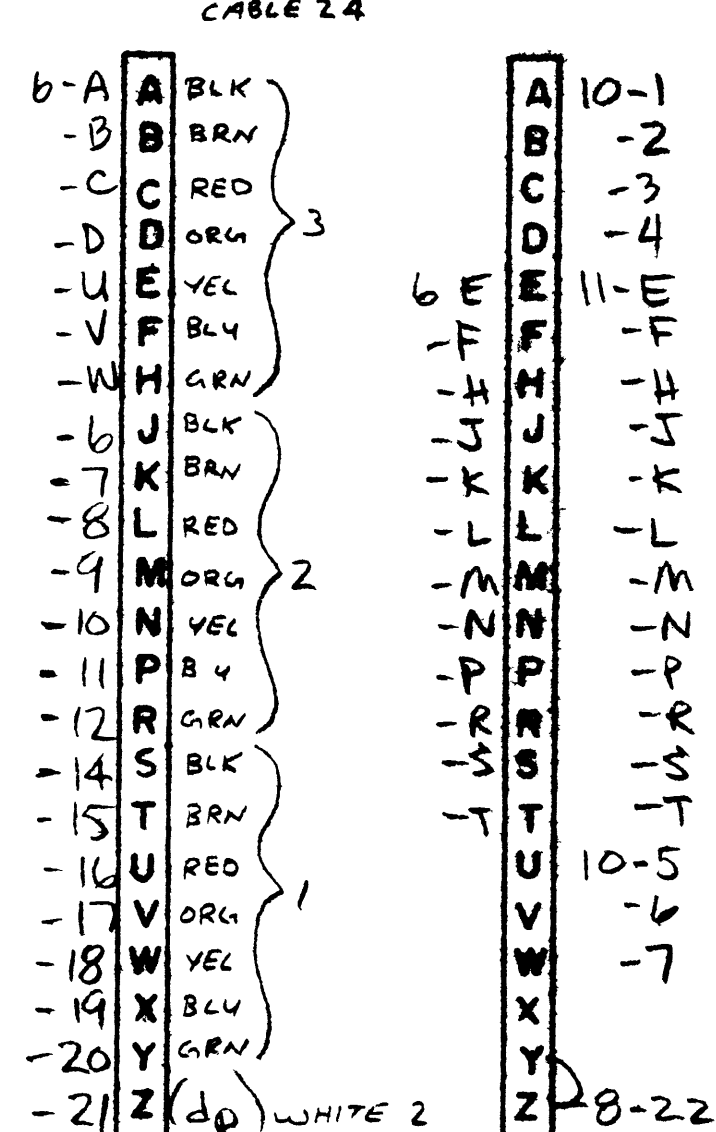
J3
DIS DR
34



J4
Pd Bd

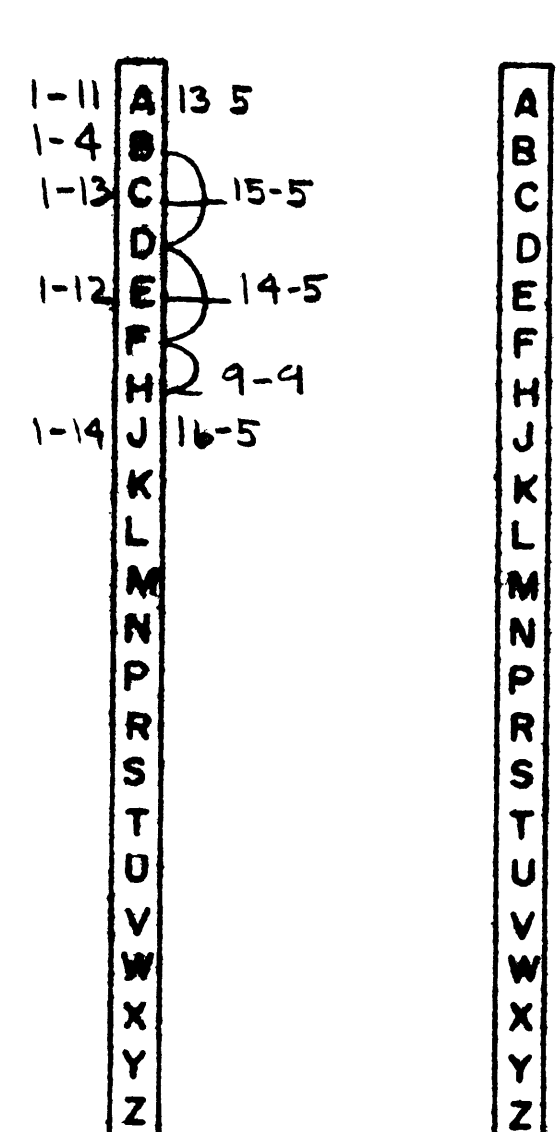
J5
DIS DR
35

J6
DIS DR
36



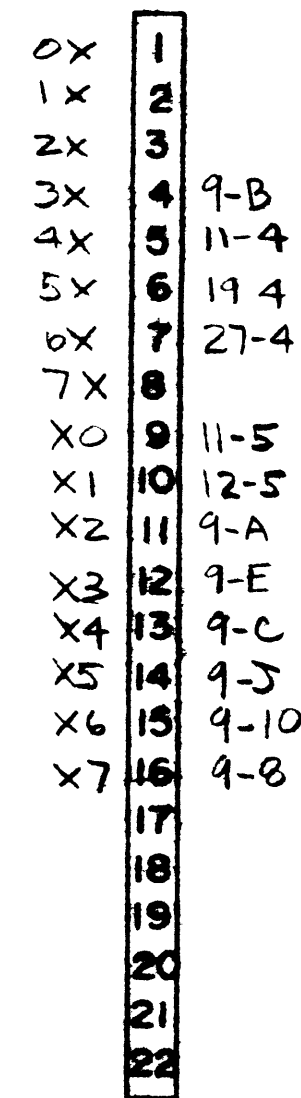
J7
Pd Bd.

J8
DIS DR
37

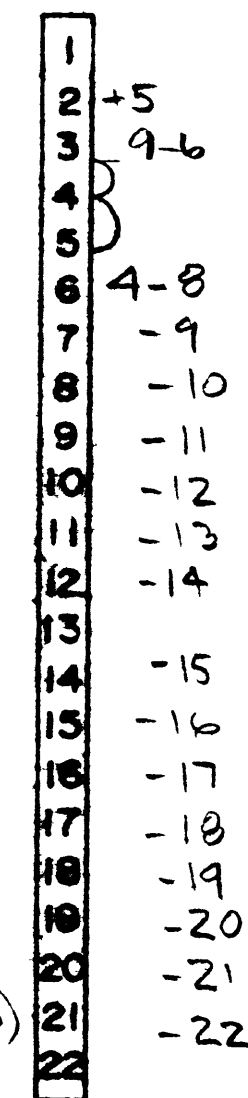


J9
4911

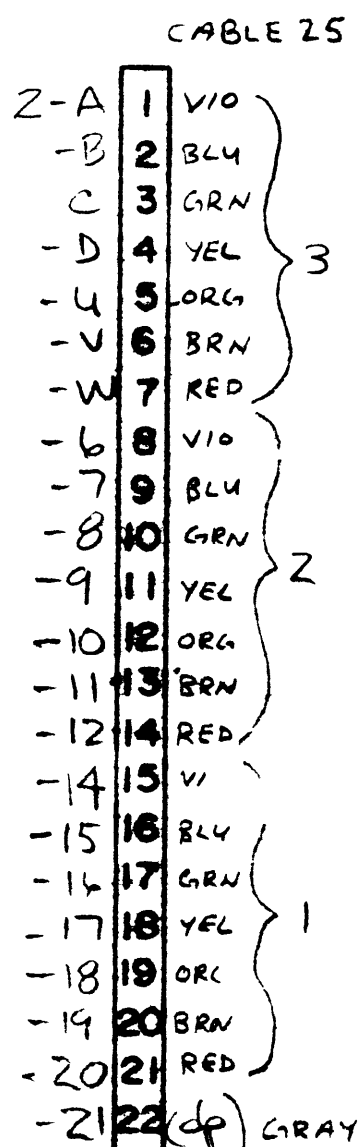
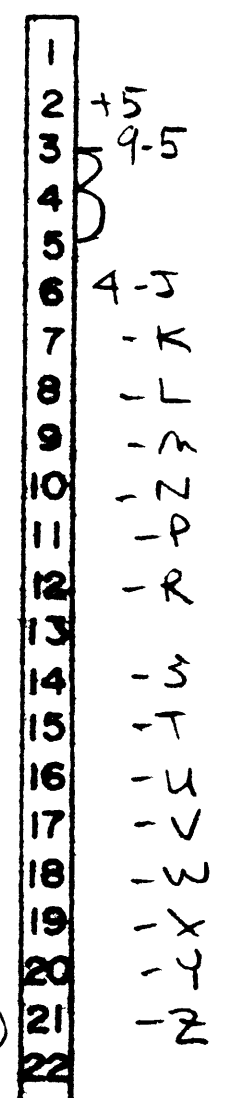
J10
Pd Bd



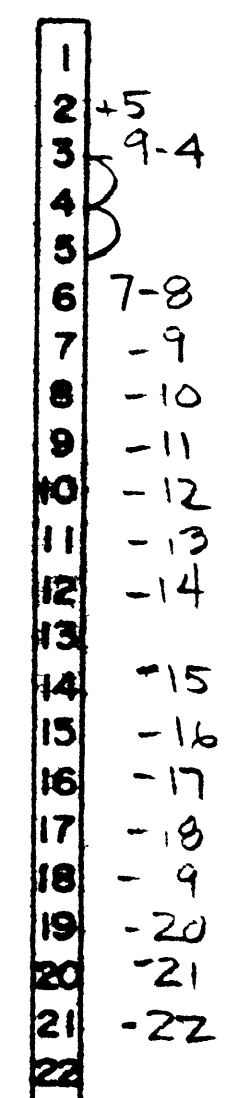
(dp)



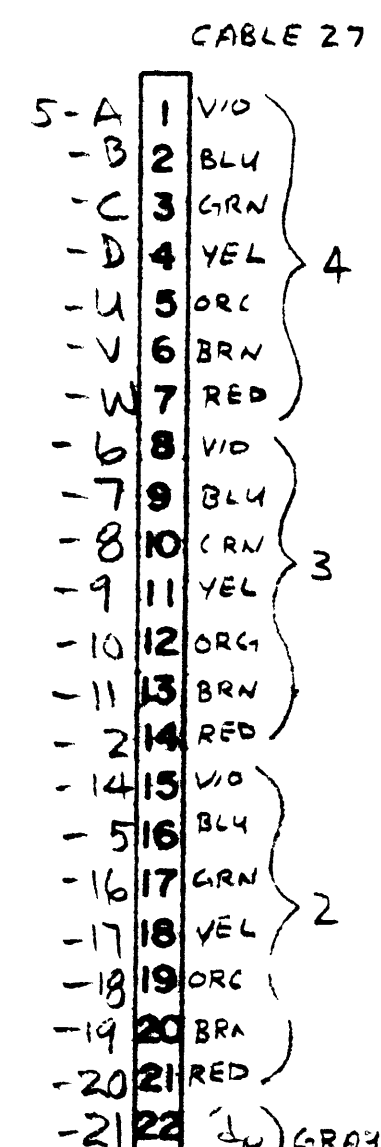
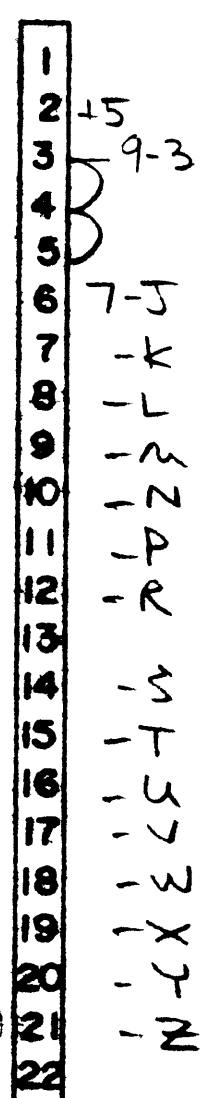
(dp)



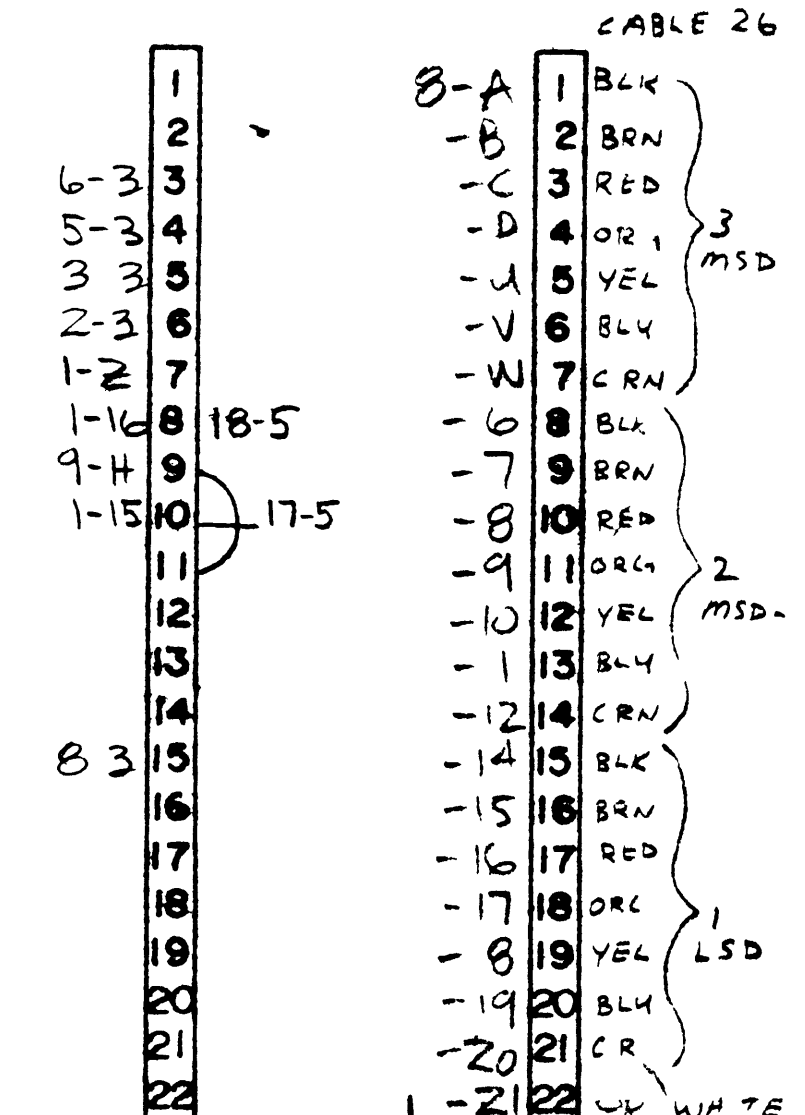
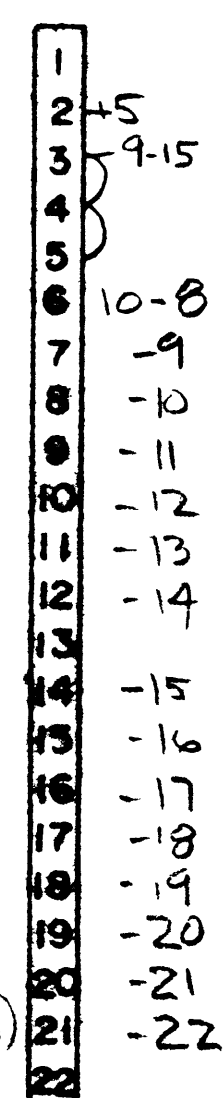
(dp)



(dp)

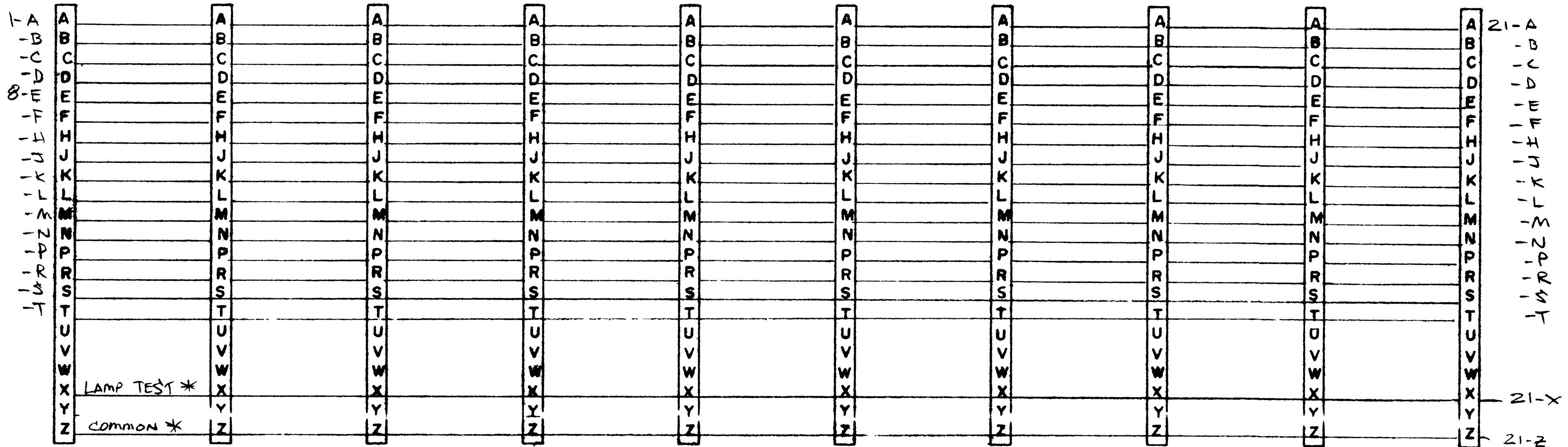


(dp)

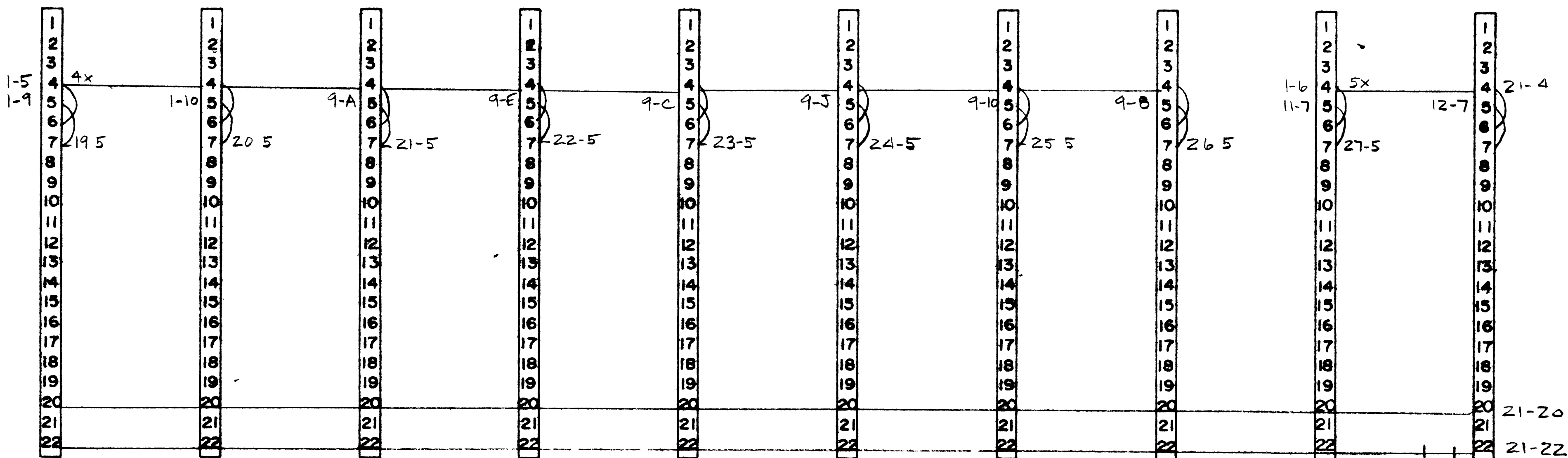


UNIT B2
BILLINGS PARK
DISTRICT No 6

A		REVISED AS	3-15 78	EDITIONS
APPROVED BY	DATE	edison controls inc		2342 E. 7th Ave NORTH ST PAUL, MINN.
DATE	NO.	ORDER NO.	Superior Remotes 1135	
TYPE		CARD BOX WIRING BASKET 2		SHEET 1 OF 3
NO.		1135 CB2 - B2		A



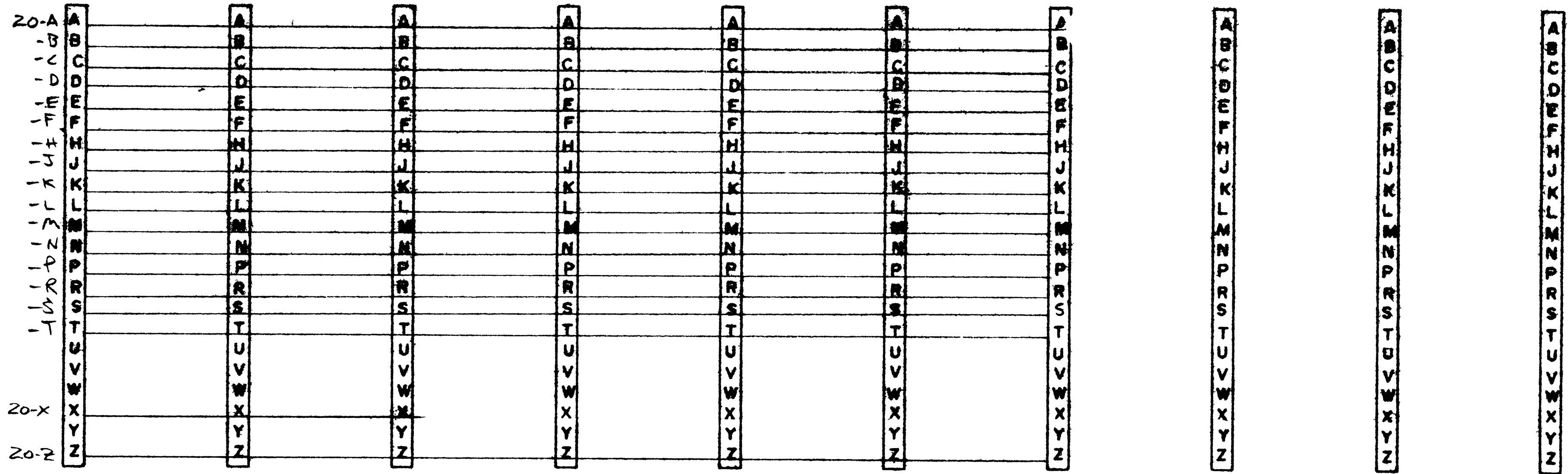
J11 HR/DR 40
 J12 HR/DR 41
 J13 HR/DR 42
 J14 HR/DR 43
 J15 HR/DR 44
 J16 HR/DR 45
 J17 HR/DR 46
 J18 HR/DR 47
 J19 HR/DR 50
 J20 HR/DR 51



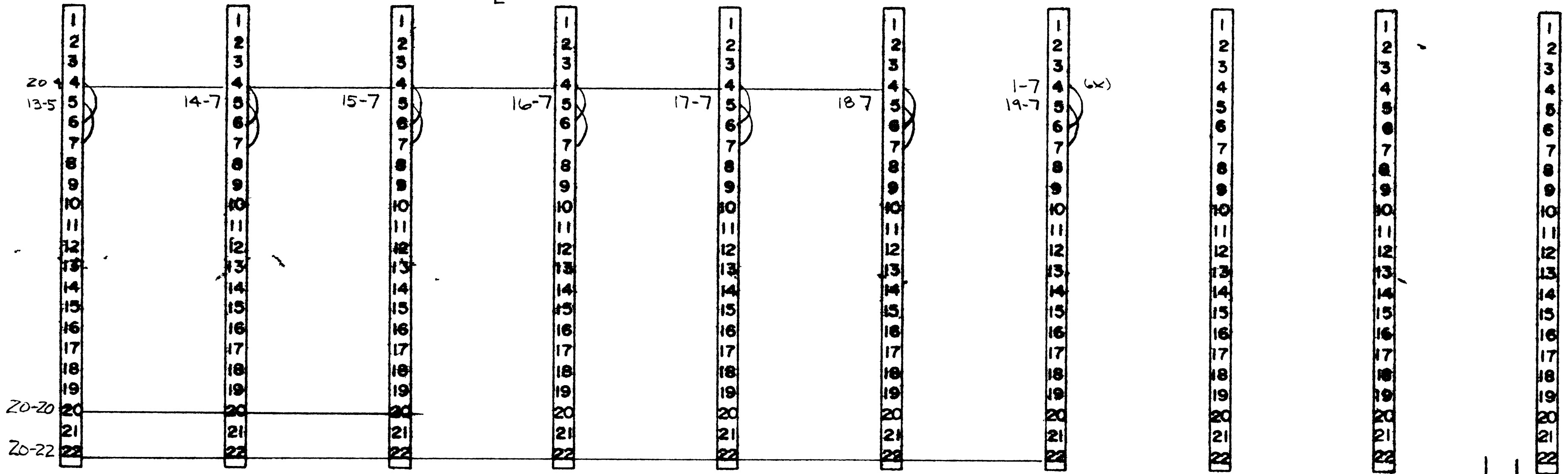
* LAMP TEST

UNIT B2
 BILLINGS PARK
 DISTRICT No. 6

REVISED AS BUILT		3-15-76	REVISIONS
		edison controls inc <small>2602 E. 7th AVE NORTH ST. PAUL, MINN.</small>	
PROJECT NAME		PROJECT NO.	
SUPERIOR Controls		1135	
CARD BOX WIRING BASKET 2		SHEET 2 OF 3	
		BILLING-PB2-B2	

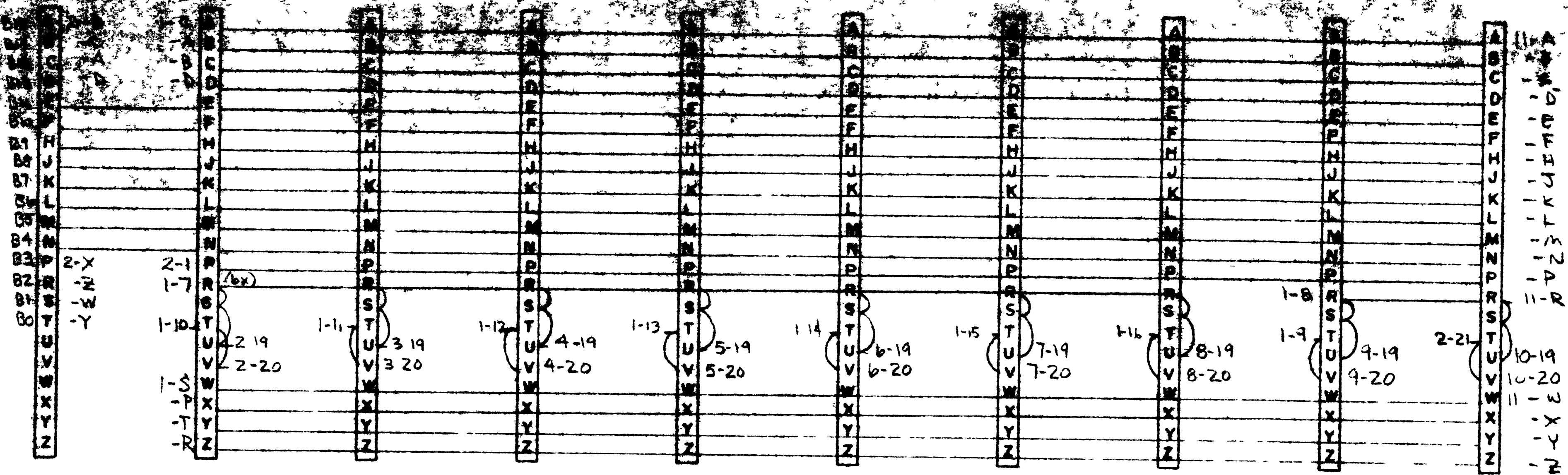


J21 HR/DR 52 J22 HR/DR 53 J23 HR/DR 54 J24 HR/DR 55 J25 HR/DR 56 J26 HR/DR 57 J27 HR/DR 58

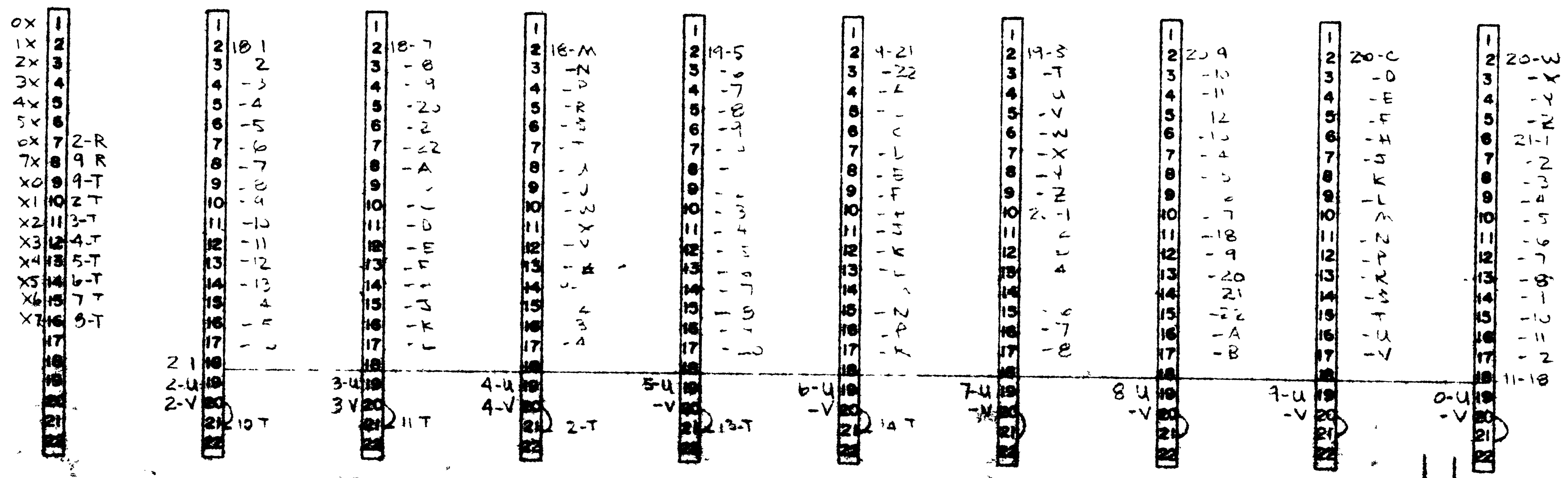


UNIT B2
BILLINGS PARK
DISTRICT NO. 16

SEARCHED BY	DATE	A	REVISED AS	2-15-78	REVISIONS
CHECKED BY	DATE			edison controls inc <small>2840 S. 7TH AVE. BOSTON, CT. 06106</small>	
APPROVED BY	DATE	Superior Remotes		1135	
SCALE	CARD BOX WIRING BASKET 2		SHEET 3 OF 3 B1135-CB2-B2		A



J1 INTER
 J2 MUX 0
 J3 MUX 62
 J4 MUX 03
 J5 MUX 64
 J6 MUX 65
 J7 MUX 66
 J8 MUX 67
 J9 MUX 70
 J10 MUX 71



UNIT B1
 SOUTH SUPERIOR
 DISTRICT NO 5

		Superior Rentals 1135
CARD BOX WIRING BASKET 3		SHEET 1 OF 3

11-11
12-11
13-11
14-11
15-11
16-11
17-11
18-11
19-11
20-11
21-11

A
B
C
D
E
F
G
H
I
J
K
L
M
N
O
P
Q
R
S
T
U
V
W
X
Y
Z

A
B
C
D
E
F
G
H
I
J
K
L
M
N
O
P
Q
R
S
T
U
V
W
X
Y
Z

A
B
C
D
E
F
G
H
I
J
K
L
M
N
O
P
Q
R
S
T
U
V
W
X
Y
Z

A
B
C
D
E
F
G
H
I
J
K
L
M
N
O
P
Q
R
S
T
U
V
W
X
Y
Z

A
B
C
D
E
F
G
H
I
J
K
L
M
N
O
P
Q
R
S
T
U
V
W
X
Y
Z

A
B
C
D
E
F
G
H
I
J
K
L
M
N
O
P
Q
R
S
T
U
V
W
X
Y
Z

A
B
C
D
E
F
G
H
I
J
K
L
M
N
O
P
Q
R
S
T
U
V
W
X
Y
Z

A
B
C
D
E
F
G
H
I
J
K
L
M
N
O
P
Q
R
S
T
U
V
W
X
Y
Z

A
B
C
D
E
F
G
H
I
J
K
L
M
N
O
P
Q
R
S
T
U
V
W
X
Y
Z

A
B
C
D
E
F
G
H
I
J
K
L
M
N
O
P
Q
R
S
T
U
V
W
X
Y
Z

J21
P Bd

J22
P Bd

10-1
11-1
12-1
13-1
14-1
15-1
16-1
17-1
18-1
19-1
20-1
21-1
22-1

A
B
C
D
E
F
G
H
I
J
K
L
M
N
O
P
Q
R
S
T
U
V
W
X
Y
Z

13-12
14-2
15-3
16-4
17-5
18-6
19-7
20-8
21-9
22-10
23-11
24-12
25-13
26-14
27-15
28-16
29-17
30-18
31-19
32-20
33-21
34-22

A
B
C
D
E
F
G
H
I
J
K
L
M
N
O
P
Q
R
S
T
U
V
W
X
Y
Z

1
2
3
4
5
6
7
8
9
10
11
12
13
14
15
16
17
18
19
20
21
22

1
2
3
4
5
6
7
8
9
10
11
12
13
14
15
16
17
18
19
20
21
22

1
2
3
4
5
6
7
8
9
10
11
12
13
14
15
16
17
18
19
20
21
22

1
2
3
4
5
6
7
8
9
10
11
12
13
14
15
16
17
18
19
20
21
22

1
2
3
4
5
6
7
8
9
10
11
12
13
14
15
16
17
18
19
20
21
22

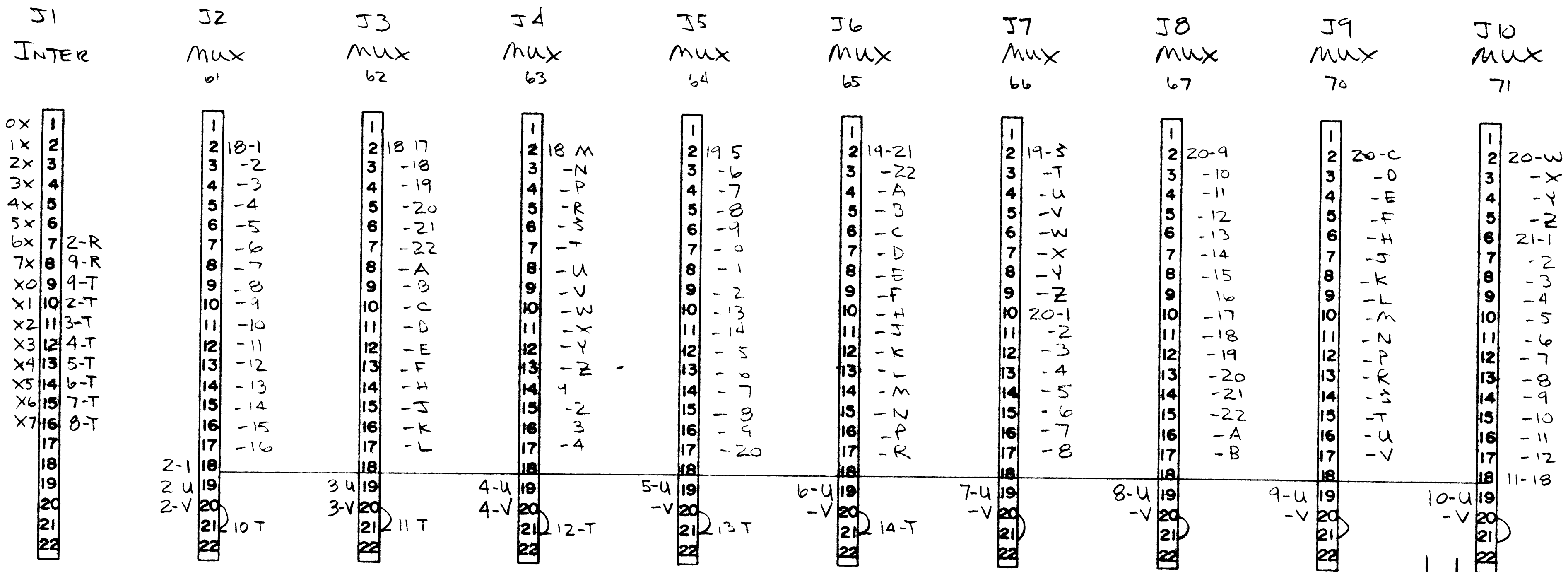
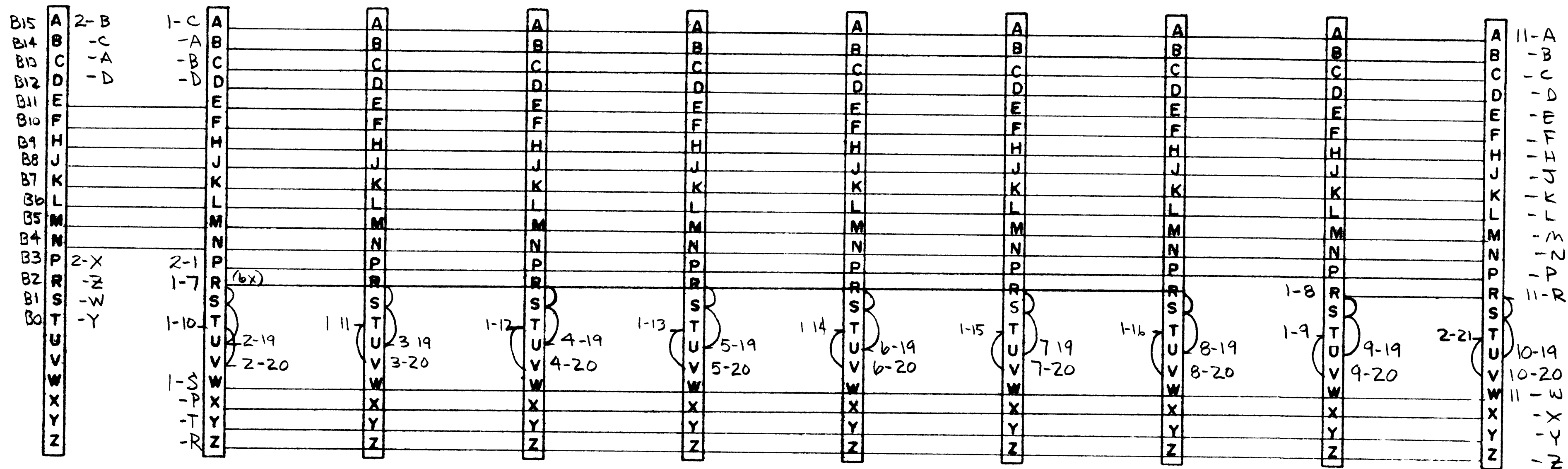
1
2
3
4
5
6
7
8
9
10
11
12
13
14
15
16
17
18
19
20
21
22

1
2
3
4
5
6
7
8
9
10
11
12
13
14
15
16
17
18
19
20
21
22

1
2
3
4
5
6
7
8
9
10
11
12
13
14
15
16
17
18
19
20
21
22

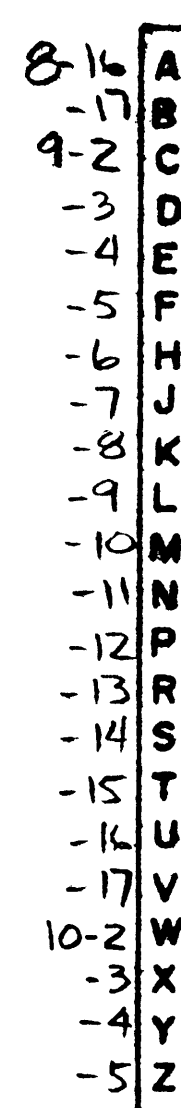
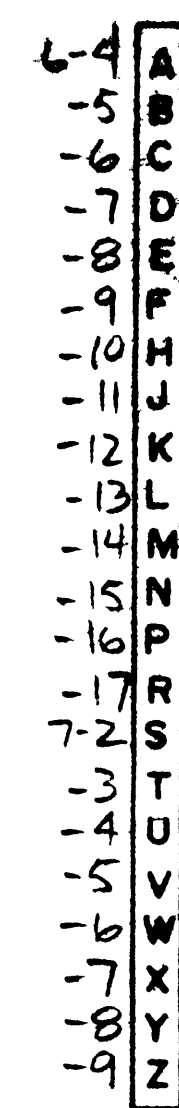
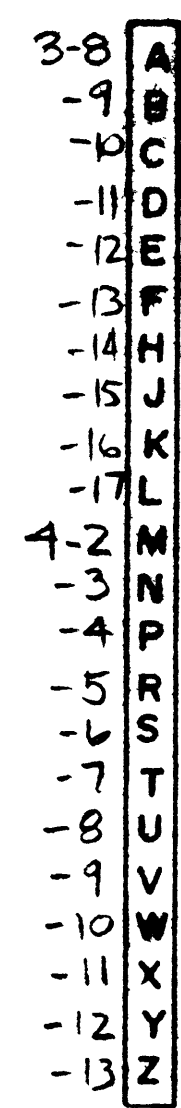
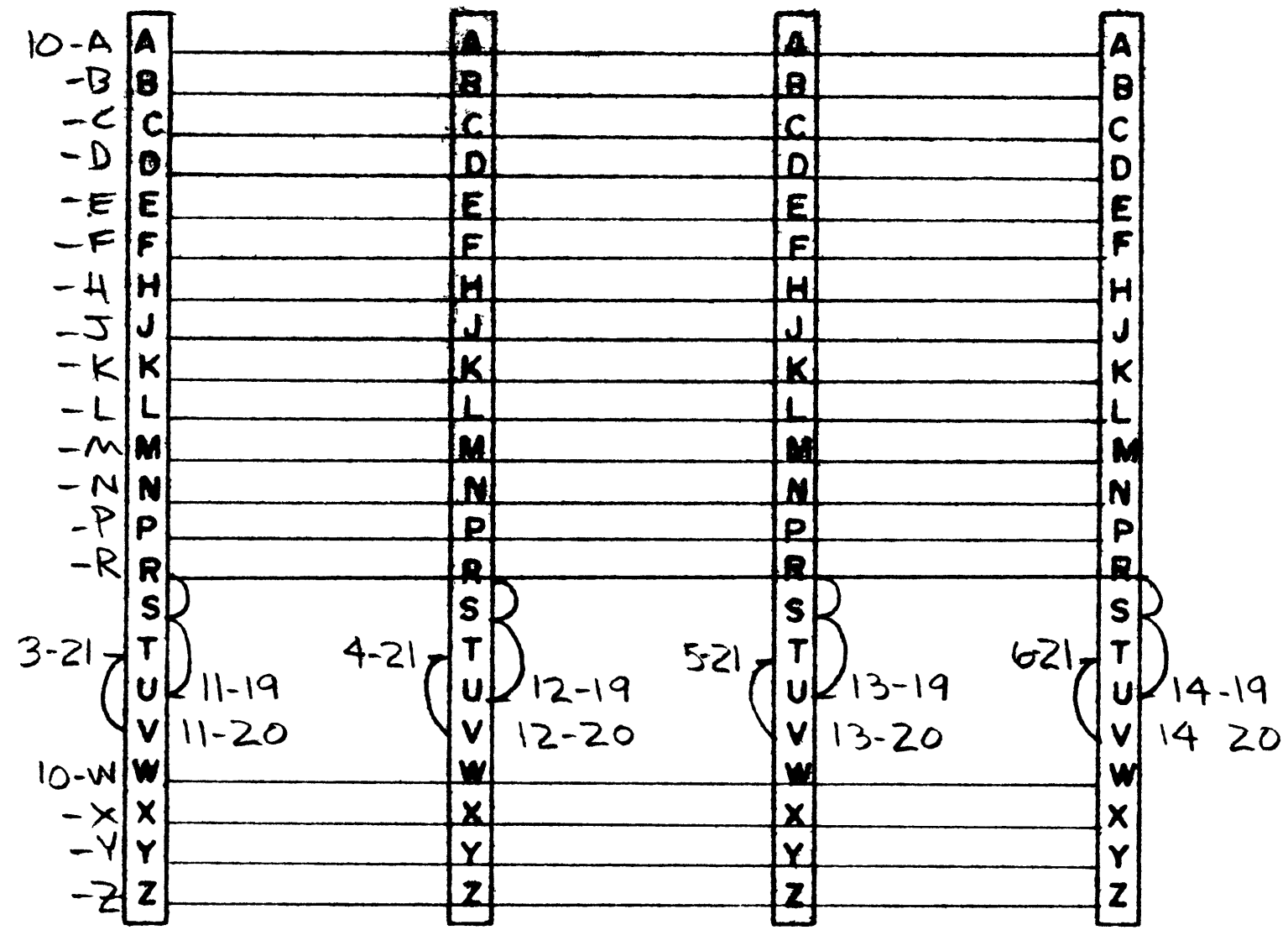
UNIT B1
SOUTH SUPERIOR
DISTRICT No 5

A		REVISED AS BUILT	5-5 78	REVISIONS
		SUPERIOR		1135
CARD BOX WIRING		SHEET 3 OF 3		A



UNIT B2
 B L L N G S P A R K
 D I S T R I C T N O 6

A REVISED AS 3-15 78		REV MON
edison controls inc 36 E AVE NORTH ST. PAUL MINN.		
Superior Renates		1135
CARD BOX WIRING BASKET 3	SHEET 1 OF 3	A



J11
mux
72

J12
mux
73

J13
mux
74

J14
mux
75

J15
BLANK

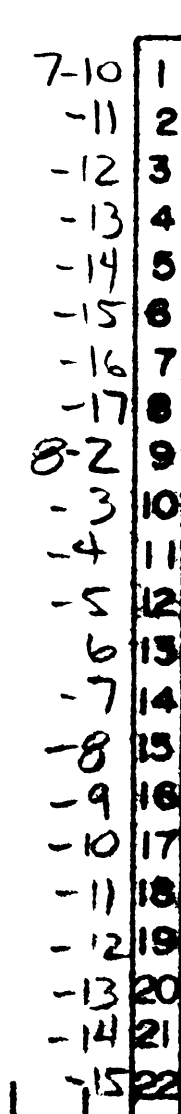
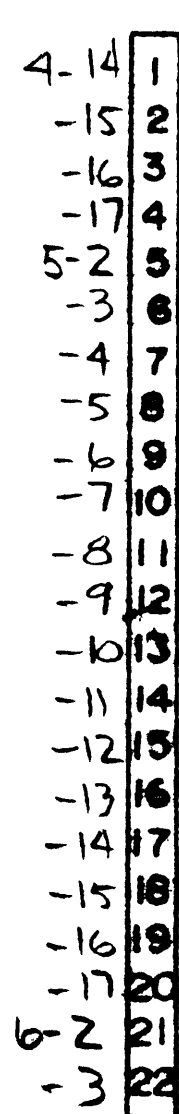
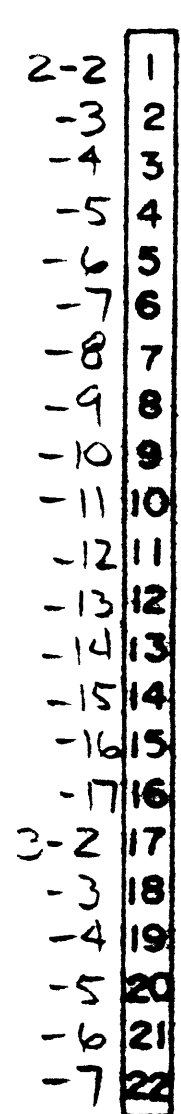
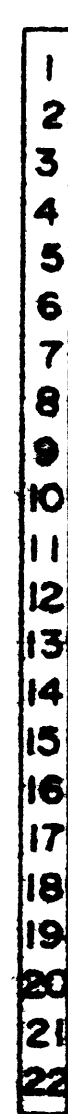
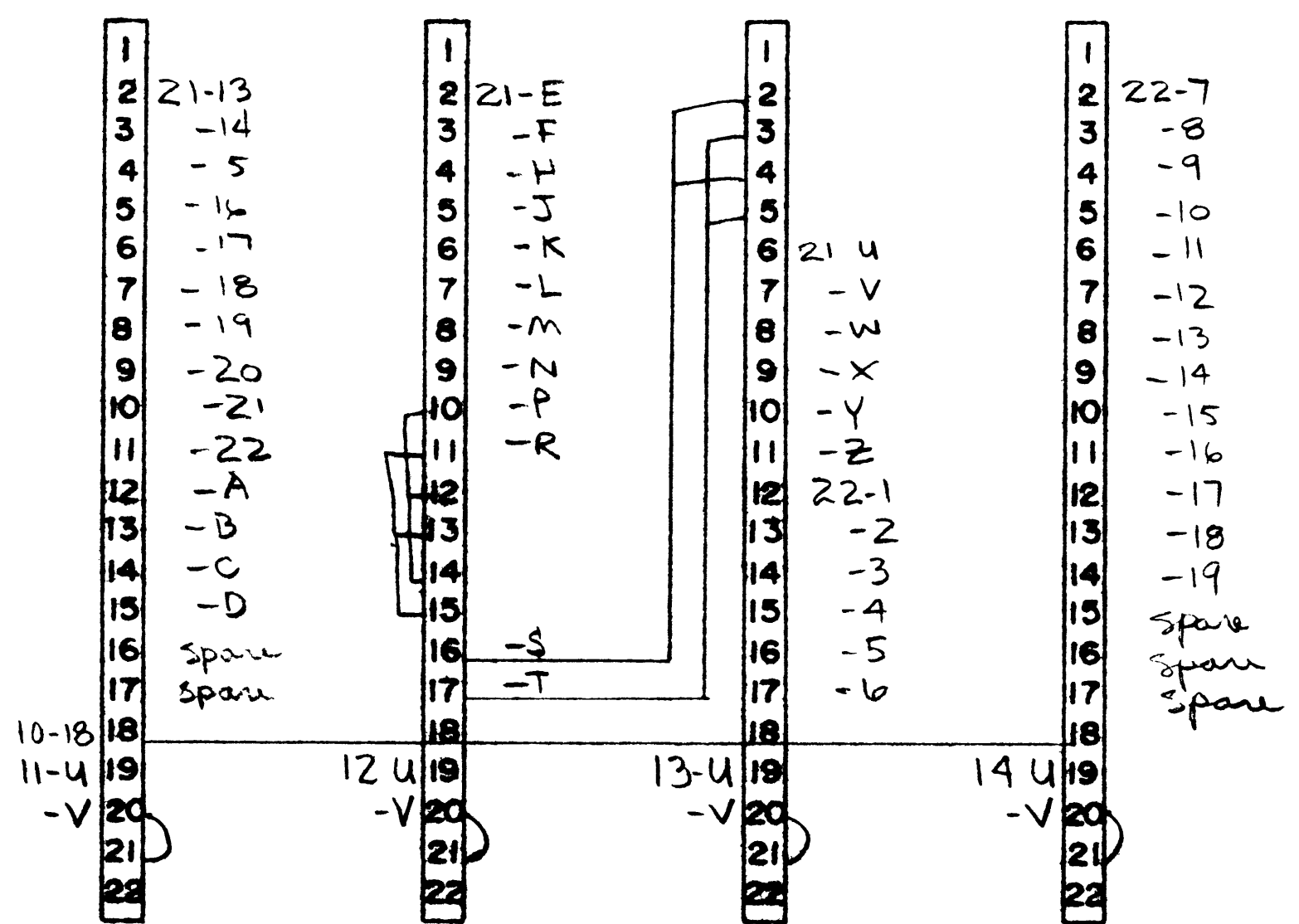
J16
BLANK

J17
BLANK

J18
Pd Bd

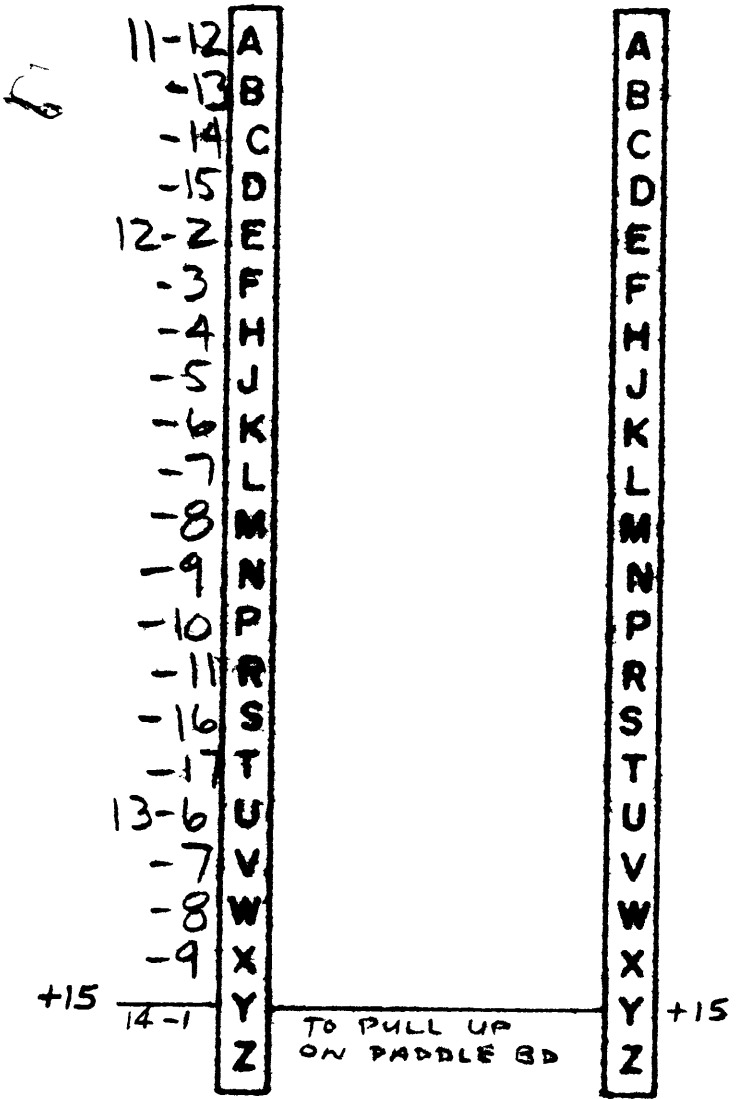
J19
Pd Bd

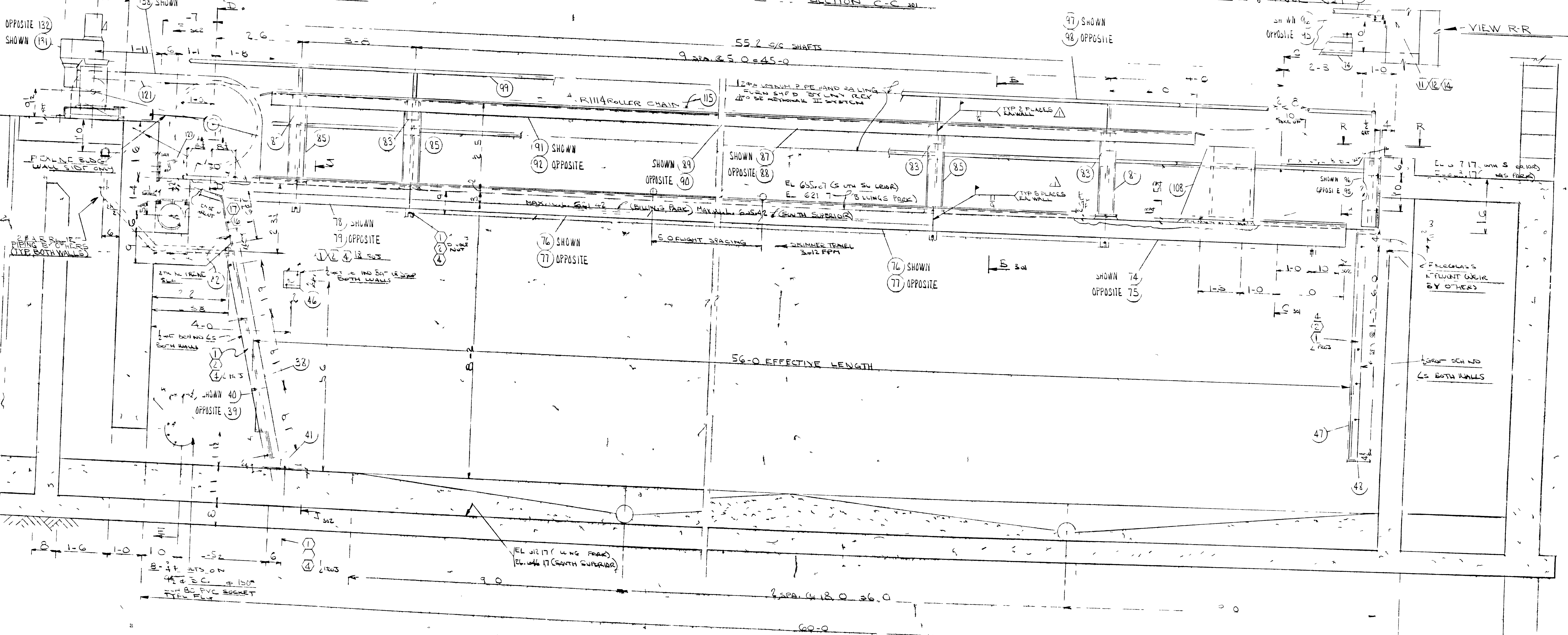
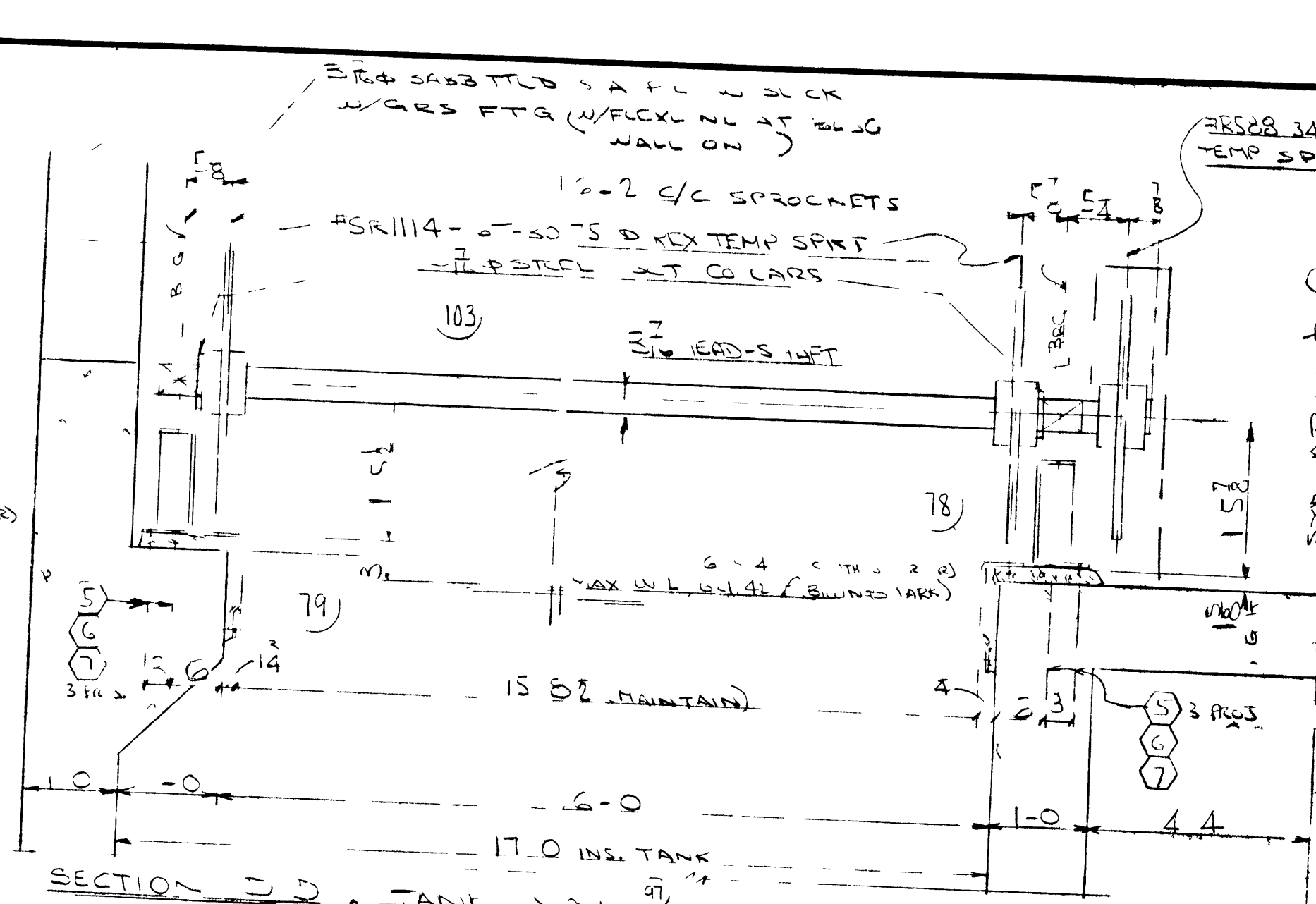
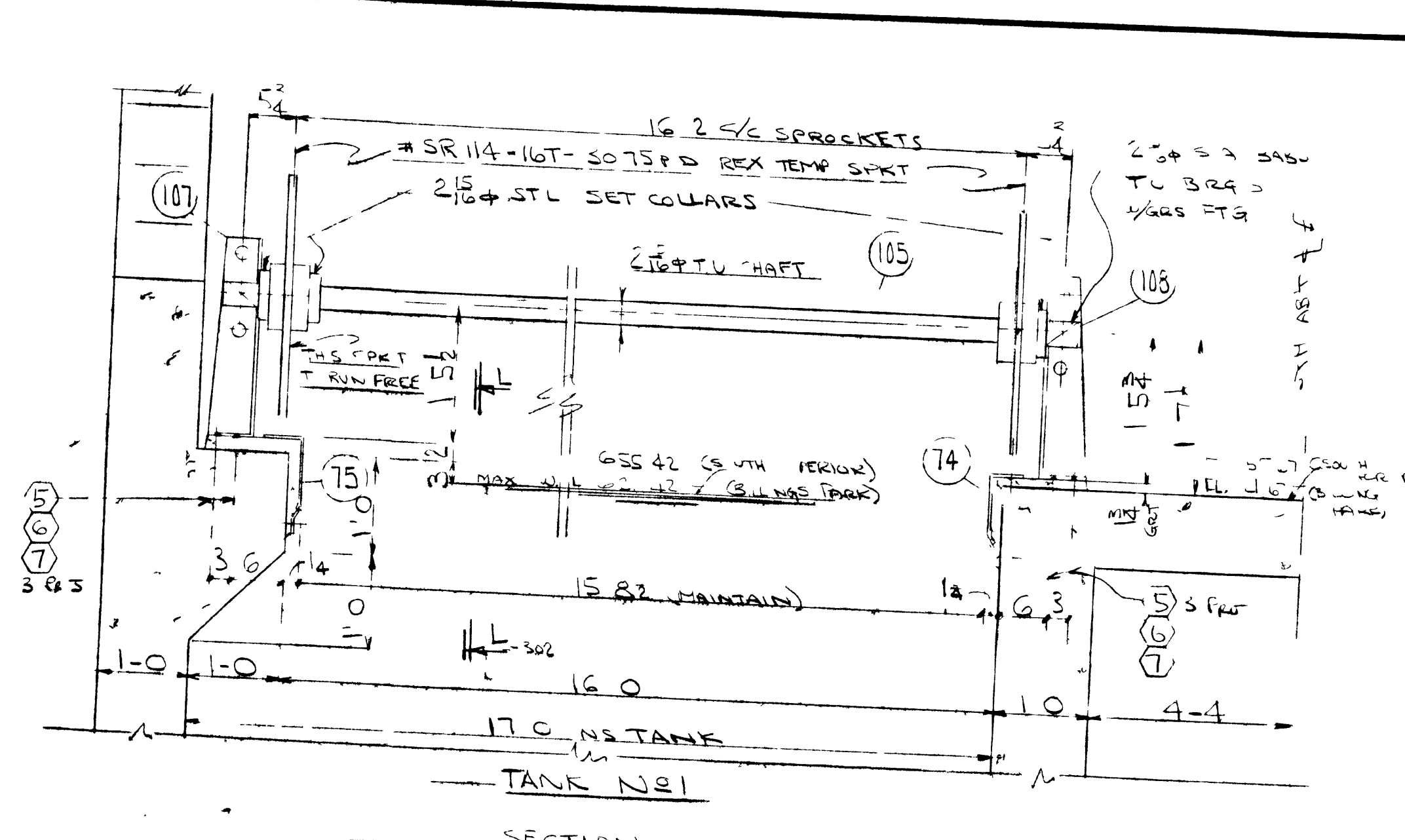
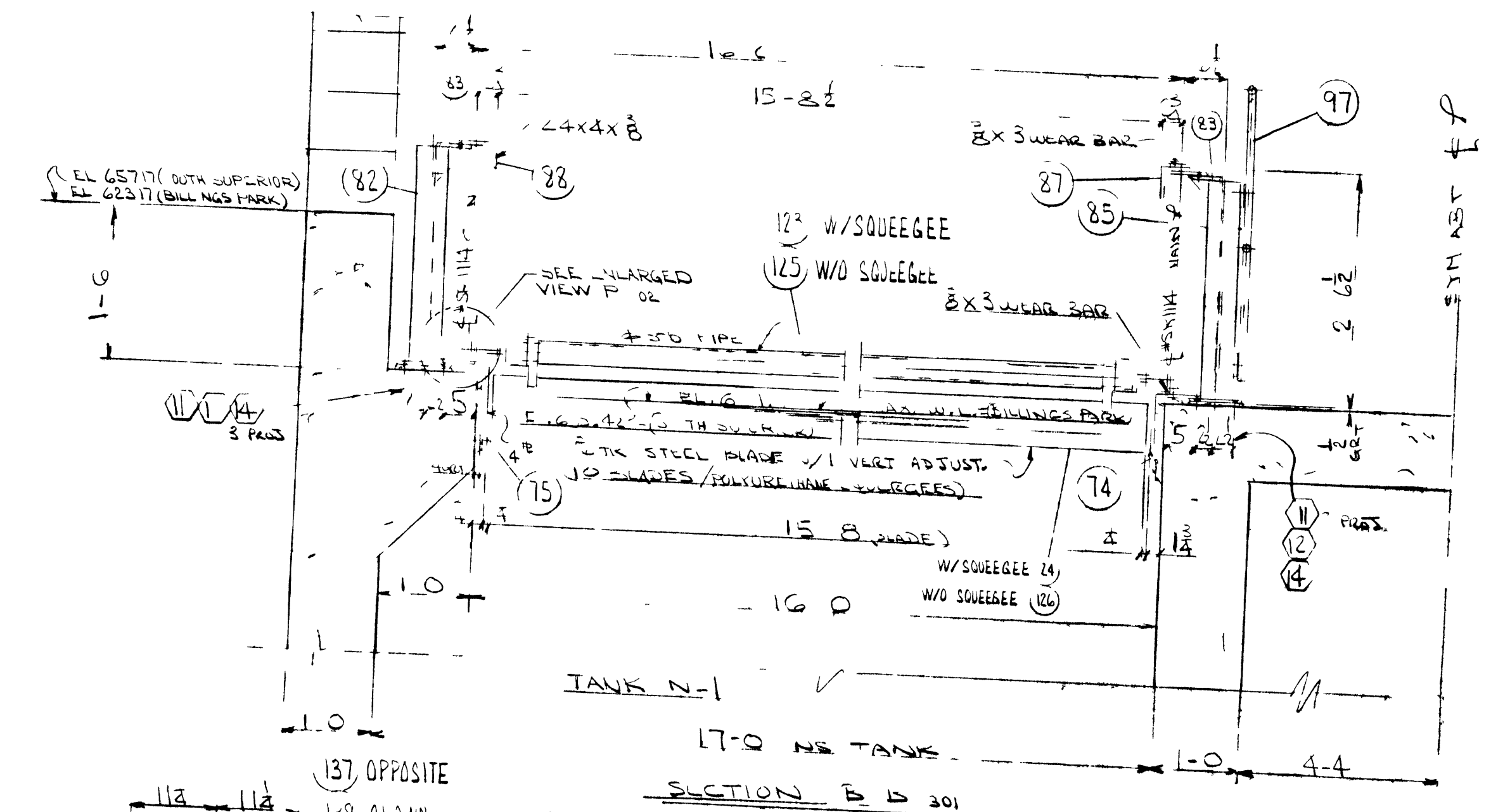
J20
Pd Bd



UNIT B2
BILLINGS PARK
DISTRICT No 6

A REVISED AS BUILT 3-15M		REVISIONS	
NAME	DATE	edison controls inc	
ISSUE #	TO	3063 E. 7th AVE. NORTH ST. PAUL, MINN.	
APPROVED BY	PROJECT NO.	Superior Remotes	1135
DATE	TIME	CARD BOX WIRING BASKET 3	SHEET 2 OF 3
			BU35-CB3-B2





SECTION A-A-300
TANK N-1

SHOP DRAWING
NO EXCEPTION TAKEN
MAKE NOTED CORRECTIONS
AMEND AND RESUBMIT
BONESTROO ROSENE, ANDERLUK
& ASSOCIATES, INC.
Date: _____ By: _____

NO.	DATE	DESCRIPTION
1	11/17/77	ISSUE
2	3/15/77	REVISION

Envirex
A Quality Control Company
10100 1st Avenue, Suite 100
Dallas, Texas 75243

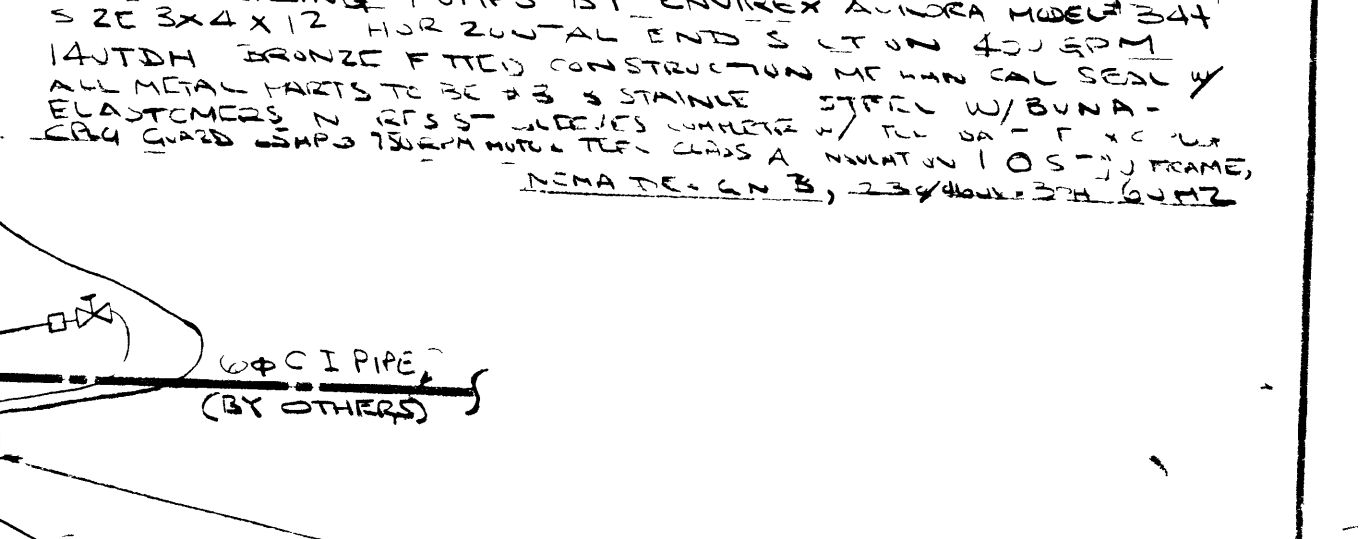
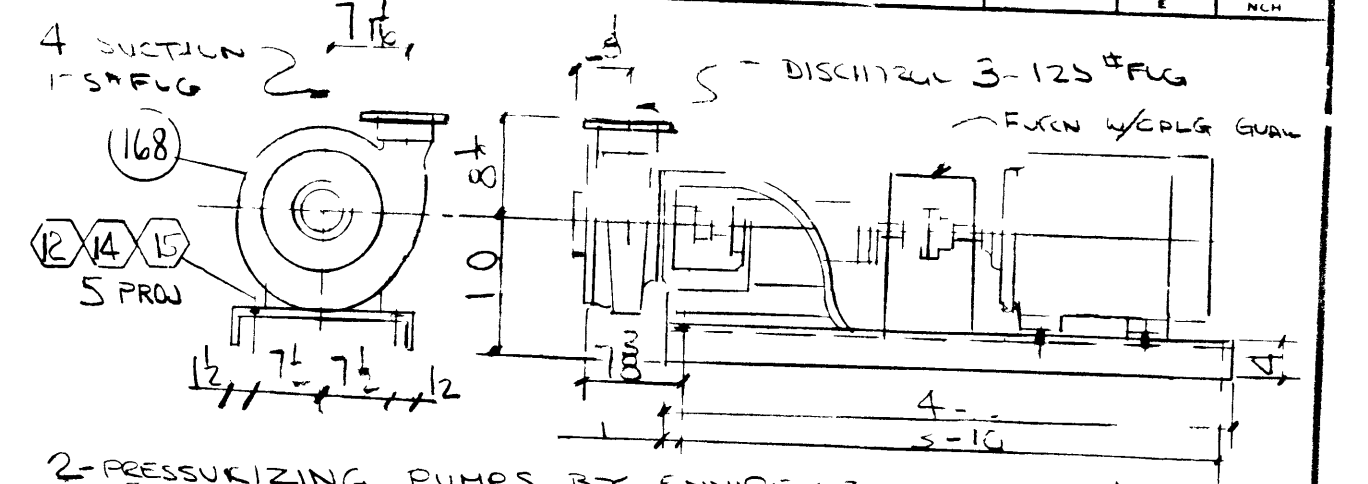
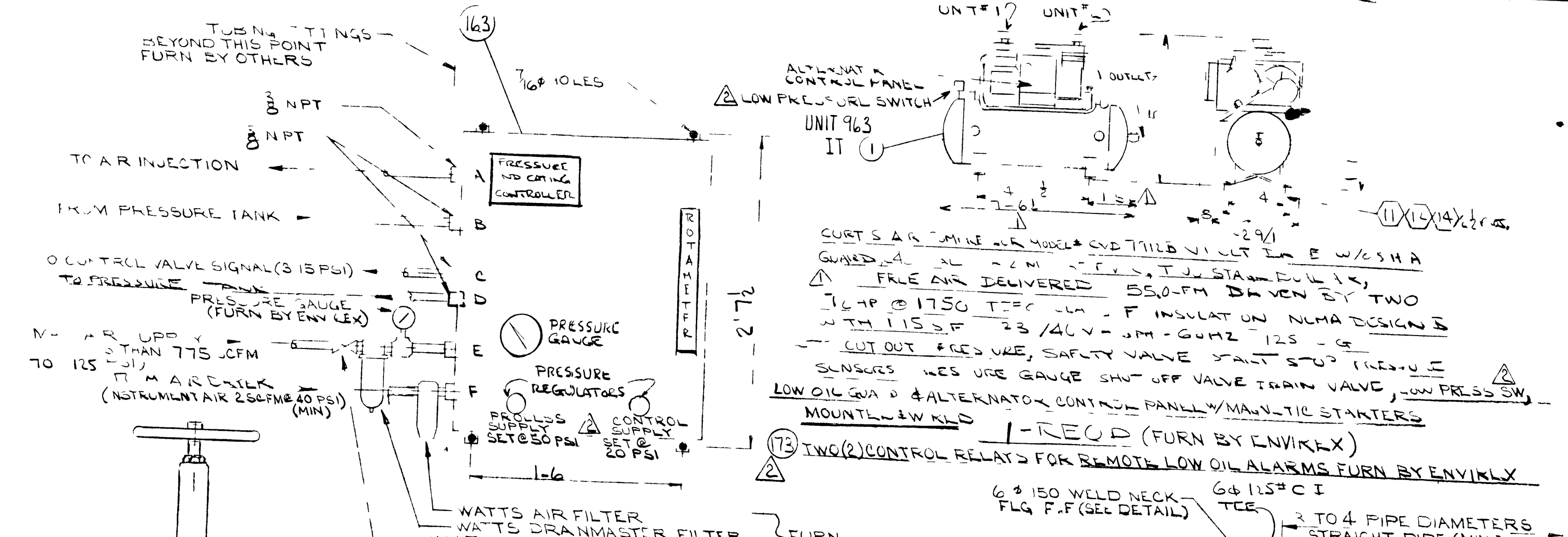
CROSS SECTIONS FANCHOR
ECLT LOCATION FOR
TWO ROTATION SUPPORTS

DRAWING NO
11405 + 11405 301

ADDED ITEM NO S	REV	DATE
1	1	11/17/77
2	1	3/15/77

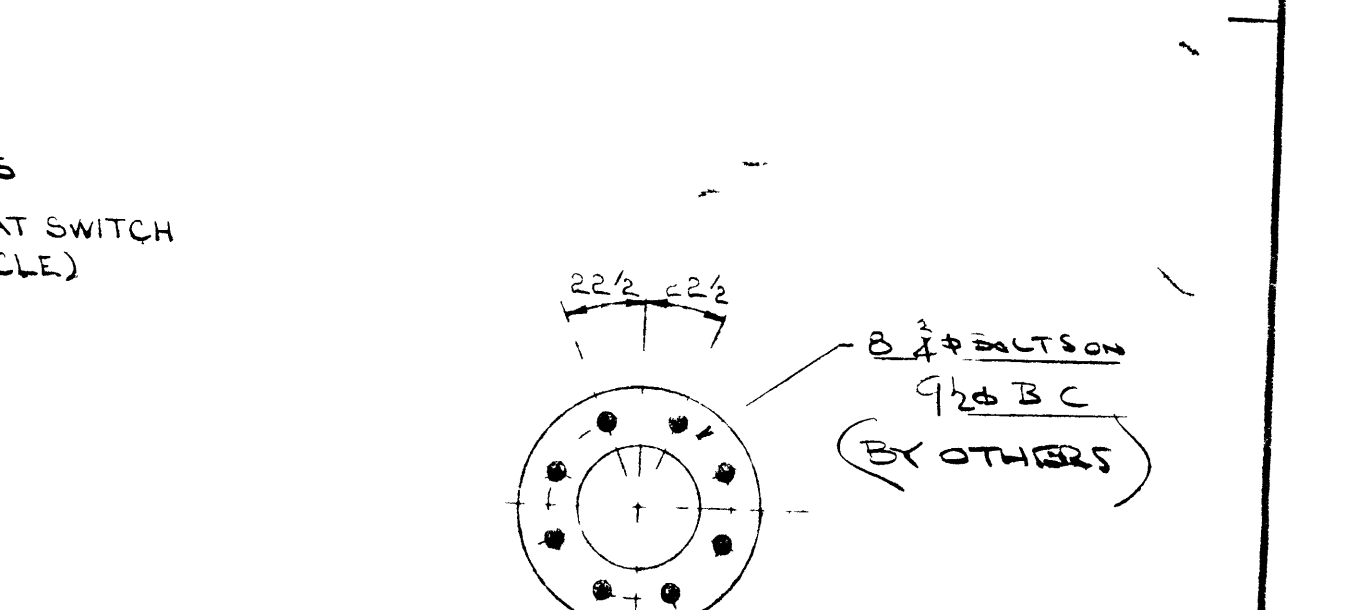
E-E-50101H

LIST OF COMPONENTS		NO.	QTY.	REMARKS
GENERAL ARRANGEMENT FOR FLOTATION PRESSURIZED FLOW COMPONENTS				
NOTE	REF. REN.	M. L. S. W. R. E.	HOWN. AR.	A. A. N. A. N.
	MP. NEN.	N. D. FFEREN.	W. OF. H.	RAW. NG. N. ALL.
	LEN. H. AR. F. MAL.	EN. TH.	N. N. N.	REFER. N. C. E. RAW. H. H.
F. MB.	AN.	N. M.	MA. ER.	AR. NAM. R. P. U.
			MA. AL.	EN. TH.
			E.	N. CH.

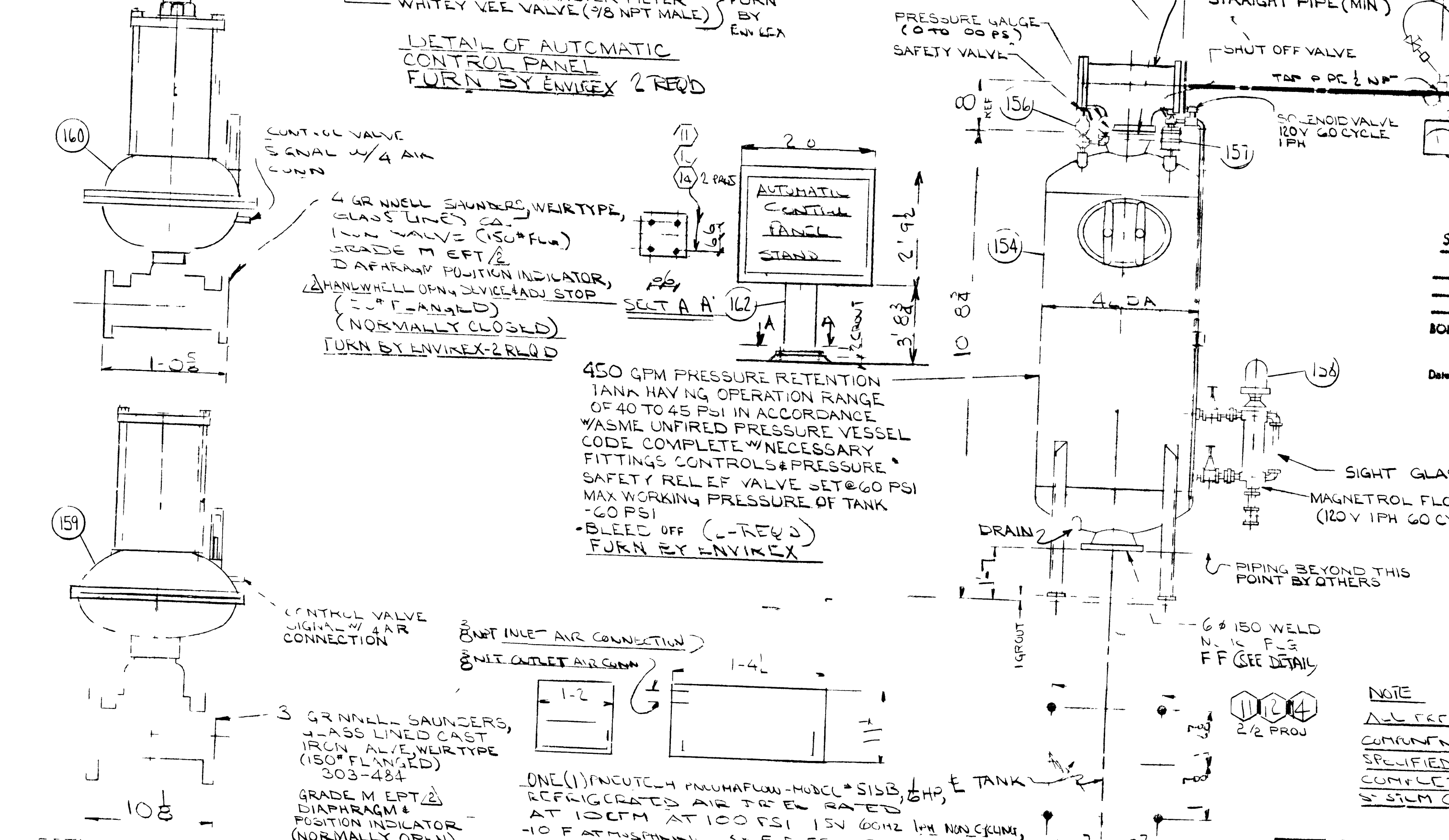


FLUORLIC FURN BY ENVIREX ANNUBAR = 778 31055-0 - THREADED FOR 6" CAST IRON PIPE - CALC EYE METER W/VALVES AND TUBING (10 O) WALL HPL MTG SCALE RANGE 0 TO 600 GPM NOTE CAST IRON PIPE

ASA CLASS 15C-6 90 D 2.4 / 38 WALL THICKNESS & 1/16 THK CEMENT LINING



NOTE ALL PRESSURIZED PIPING FITT. NEED TO BE FURN. BY OTHERS UNLESS OTHERWISE SPECIFIED



REV.	DESCRIPTION	DATE
1	REVISED ORIG. ISSU	3/18/77
2	ADDED ITEM NOS	3/18/77

DATE OF REVISION

DATE OF REVISION

COMPONENT	QUANTITY	REMARKS
GENERAL ARRANGEMENT FOR FLOTATION PRESSURIZED FLOW COMPONENTS		
NOTE	REF. REN.	M. L. S. W. R. E.
	MP. NEN.	N. D. FFEREN.
	LEN. H. AR. F. MAL.	EN. TH.
		N. N. N.
		REFER. N. C. E. RAW. H. H.
F. MB.	AN.	N. M.
		MA. ER.
		AR. NAM. R. P. U.
		MA. AL.
		EN. TH.
		E.
		N. CH.

CALE NONE

TITLE GENERAL ARRANGEMENT FOR FLOTATION PRESSURIZED FLOW COMPONENTS

ENVIREX

WATER QUALITY CONTROL DIVISION

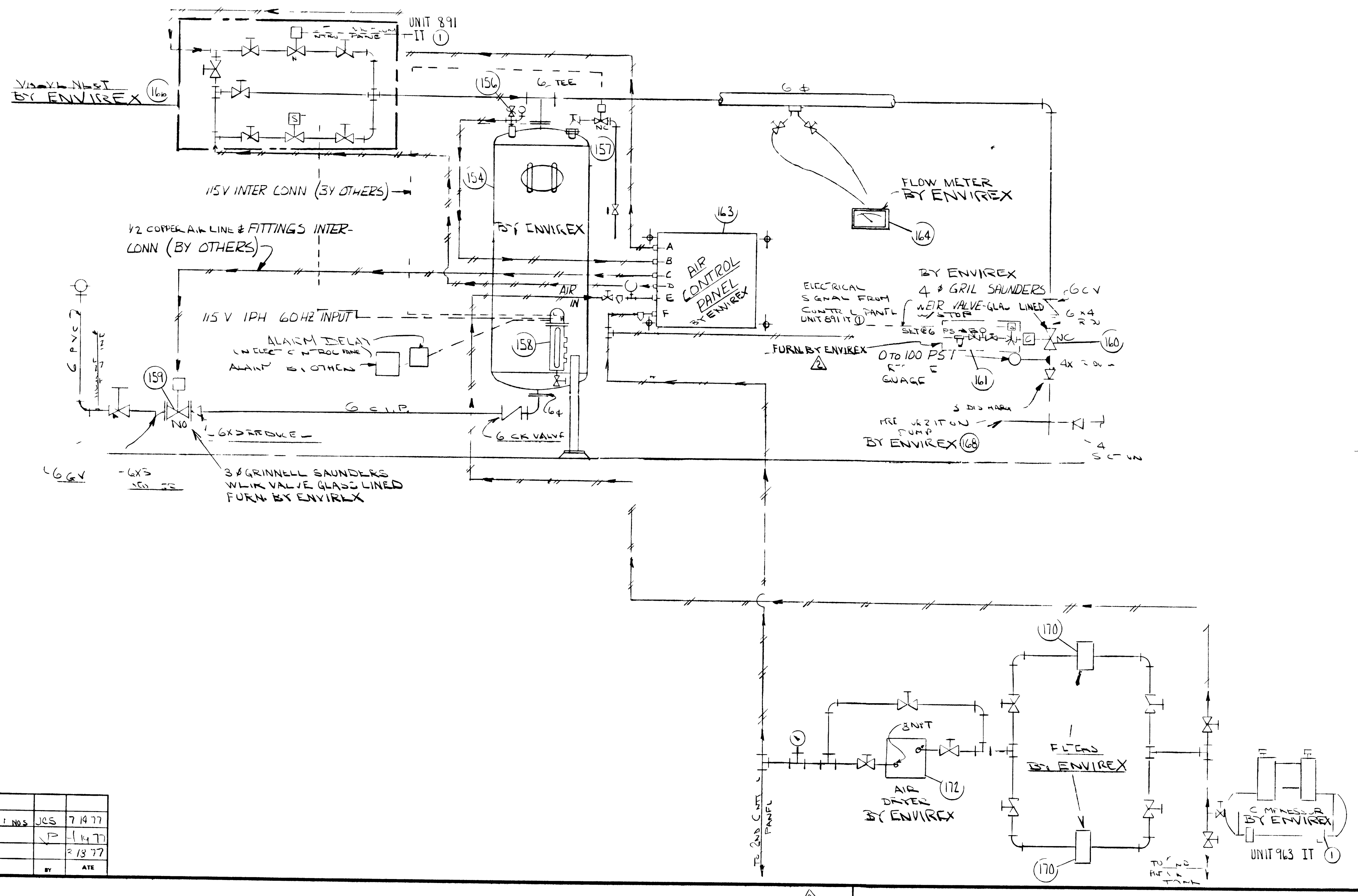
WATKINSVILLE, VA

3/18/77

H1014.5

H1014.5-303

LIST OF COMPONENTS				WEIGHT	RAW #												
THE GEN ARRGT OF					H101405-34												
SPECIAL FLOW																	
H101405																	
REFERENCE DRAWING NO.																	
N	R	F	M	WH	R	HOWN	AR	A	B	N	LOC	N					
EN	H	AR	F	HA	N	H	N	LESS	P	F	D	AS	R	U	H	R	H



NOTE

- 1 - SCHEMATIC AS SHOWN FOR ONE (1) FLATION CARTRIDGE - SCHEMATIC TO BE UNDERSTOOD THAT CONTROL PANEL IS TO BE IDENTICAL TO THAT SHOWN FOR END FLOTATION LIQUATOR, TO MAKE ONE (1) COMPLETE FLATION SYSTEM (TWO (2) TANKS) TYPICAL FOR BOTH DISTRICTS & DISTRICT 6
- 2 - ALL 1/2" NPT VALVES FITTINGS CONTROLS TO BE FURNISHED BY OTHERS UNLESS OTHERWISE SPECIFIED
- 3 - ALL TUBING FOR AIR FLOTATION COMPONENTS 1/2" O.D.

SHOP DRAWING REV. W

- NO EXCEPTION ATTY
- MAKE NOTED CORRECTIONS
- AMEND AND REUBMIT

BONESTROO, ROSE & ANDERLUK & ASSOCIATES, INC

By _____

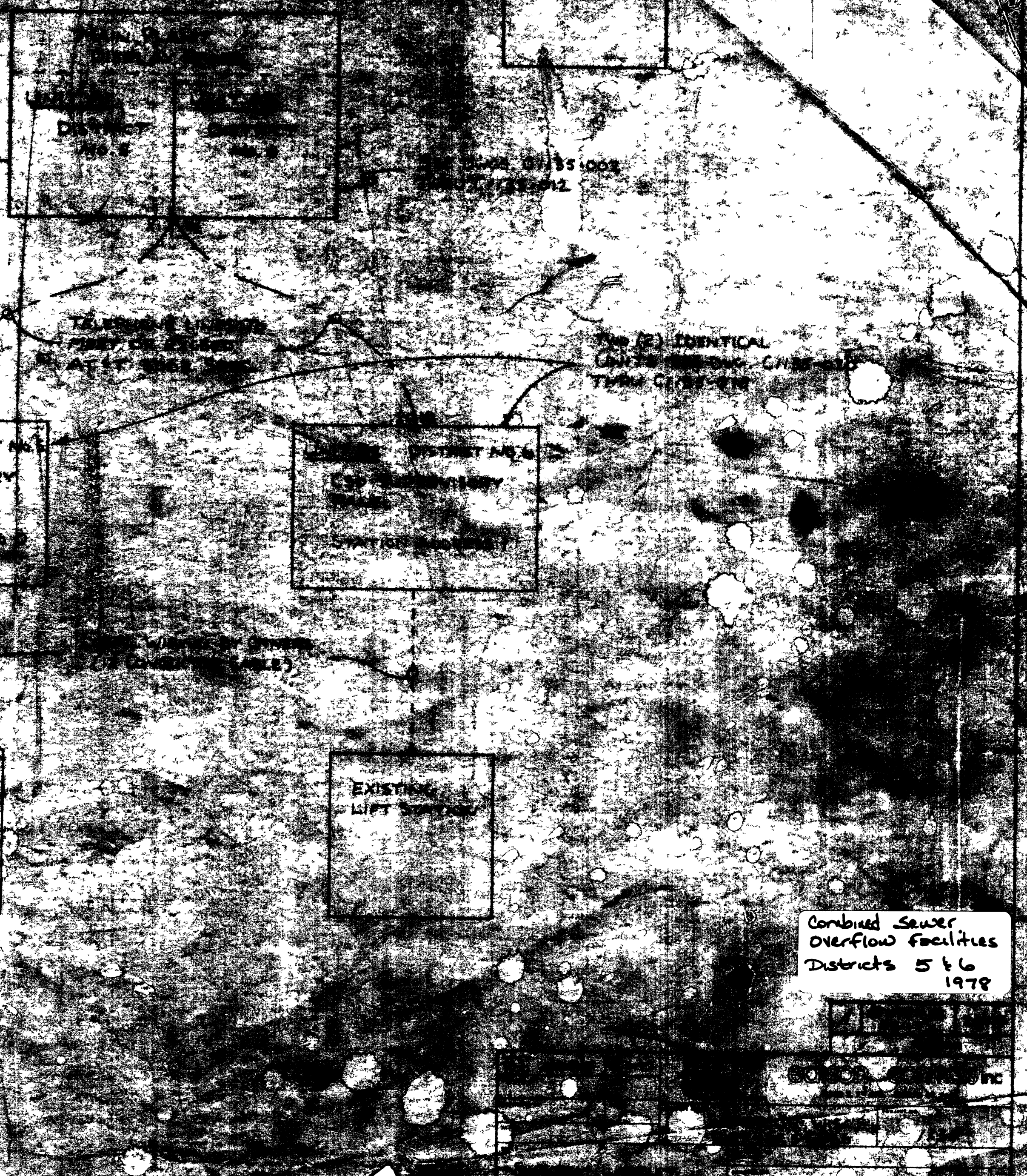
NOTE WORK THIS DRAWING WITH DRAWINGS # H101405-300, 301, 302, 303

OWNER	PROJECT	ST. ORDER N	DATE	GENERAL ARRANGEMENT
AD-EN-AR-155-26	AD-EN-AR-155-26	3902	7/19/77	AIR FLOTATION
ORIG 155-26			2/18/77	FLOW SCHEMATIC

ENVIREX	APP'D	DATE	PROJ. NO.	DRAWING NO.
Walt Quilty	JCS	7/17	H101405-300	H101405-34

NO.	DESCRIPTION	DATE	BY	ATE
1	AD-EN-AR-155-26	7/19/77	JCS	
2	ORIG 155-26	2/18/77		

SUPERIOR CSO FACILITIES
DISTRICT 5 & 6
SUPERIOR WISCONSIN



DISTRICT NO. 5
SUPERVISORY
PANEL
STATION ADDRESS

DISTRICT NO. 6
SUPERVISORY
PANEL
STATION ADDRESS

EXISTING
LIST STATION

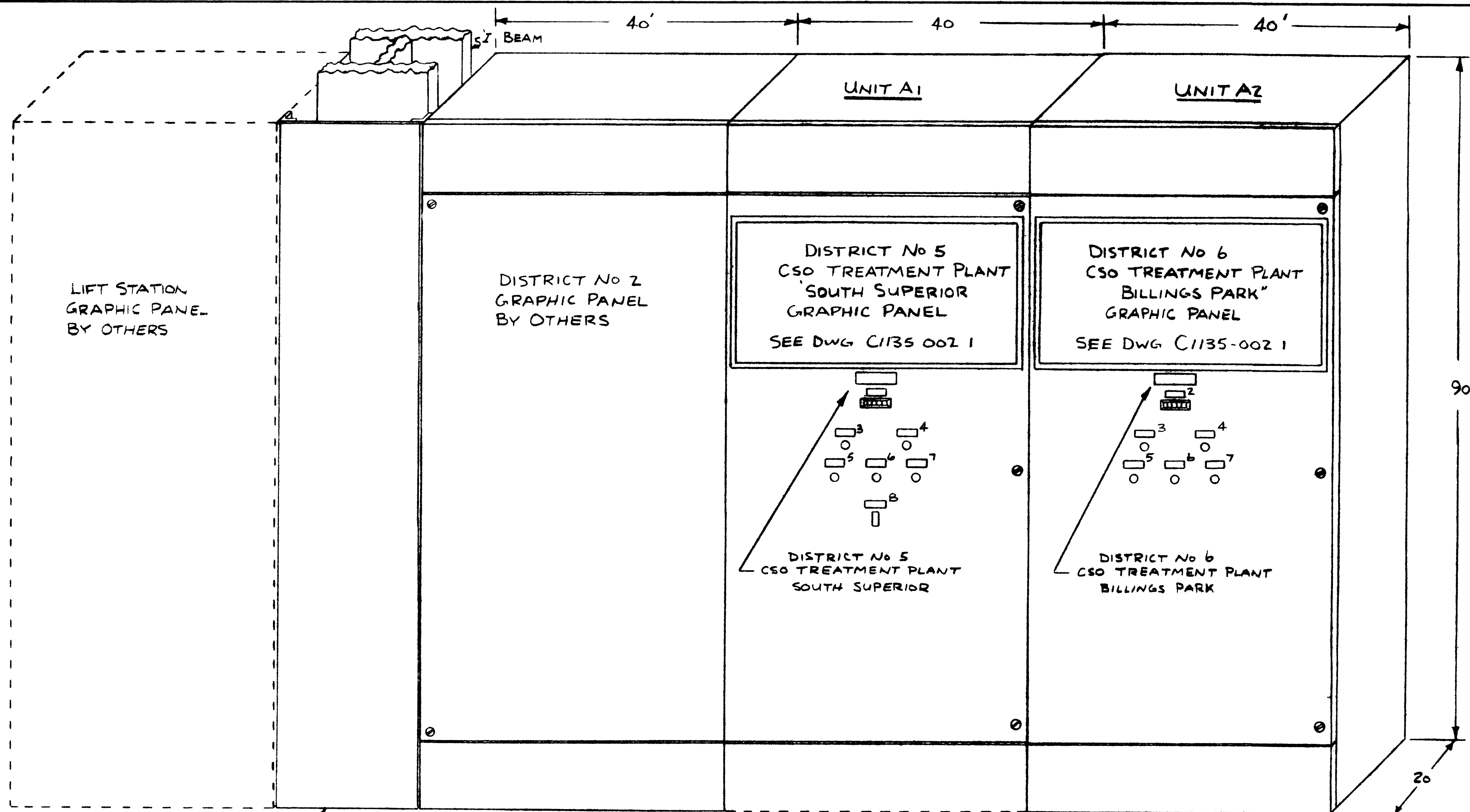
EXISTING
LIST STATION

NO. (2) IDENTICAL
CITY OF SUPERIOR, WISCONSIN
TOWN OF SUPERIOR

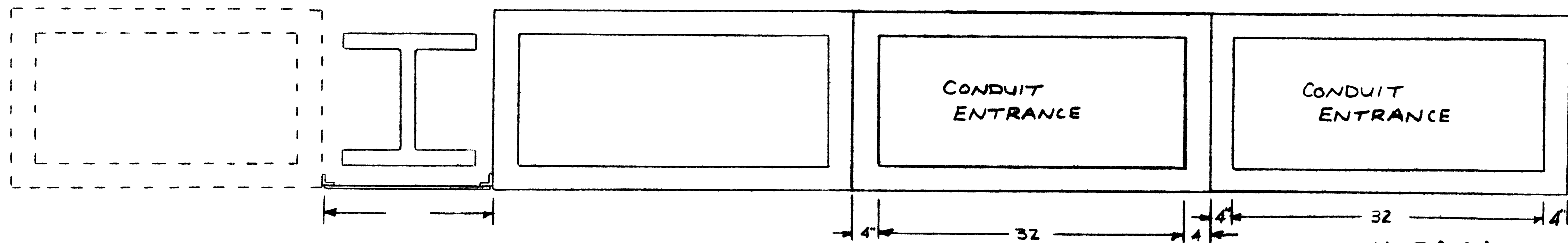
Combined Sewer
Overflow Facilities
Districts 5 & 6
1978

SUPERVISORY
DISTRIBUTION
& GRAPHIC DRAWINGS

SOLOMON ENGINEERING INC



FILLER PANEL & BRACKETS PROVIDED BY ECI FOR MOUNT BY OTHERS

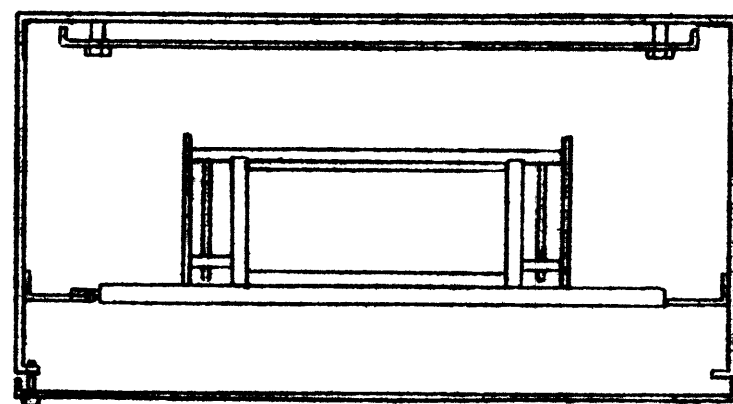
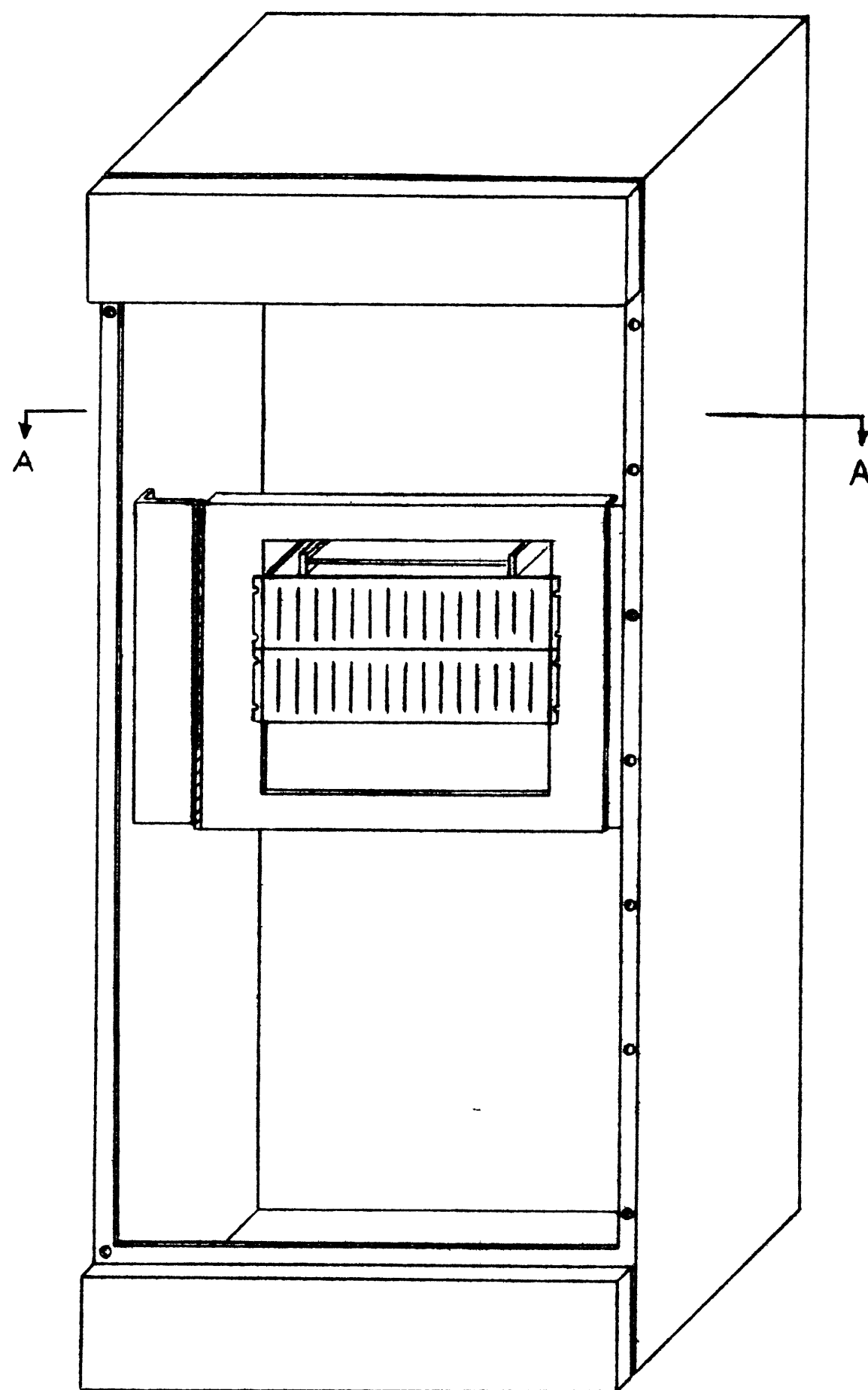


- NOTES**
- 1) ENCLOSURES ARE NEMA 1 OF 12 GA CRS CONSTRUCTION
 - 2) FRONT ACCESS ONLY
 - 3) FINISH ASA 6 LIGHT GRAY (TO MATCH EXISTING) ENCLOSURE
 - 4) FOR NAMEPLATE DESIGNATION SEE DWG C1135 003

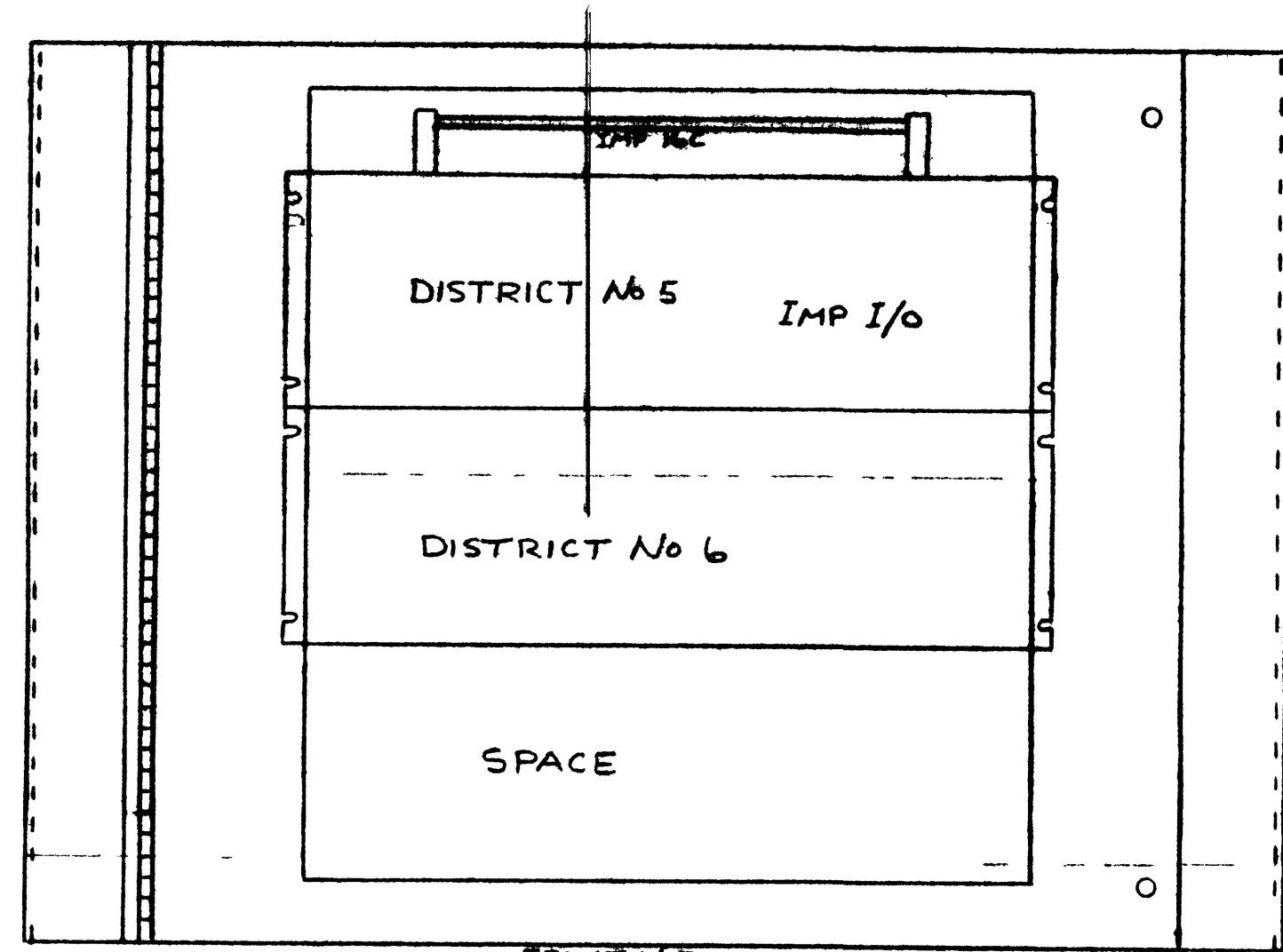
UNIT A1 & A2
MAIN PLANT
DISPLAY PANEL

REVISIONS		
B	REVISED AS BUILT	11-29-77
A	REVISED	9-29-77

DESIGNED BY HAYNE	DATE 2-8-77	 edison controls inc 2548 E 7th AVE. NORTH S. PARK MILWAUKEE, WIS. 53211	PROJECT NAME SUPERIOR, WISC	PROJECT NO. 1135
CHECKED BY	DATE		TITLE OUTLINE & DIMENSION PRINT	DRAWING NO. C1135-002



SECTION AA



FRONT VIEW

SIZE 2 1/4 x 7/4 NAMEPLATE DESIGNATION LETTERING SIZE 5/32

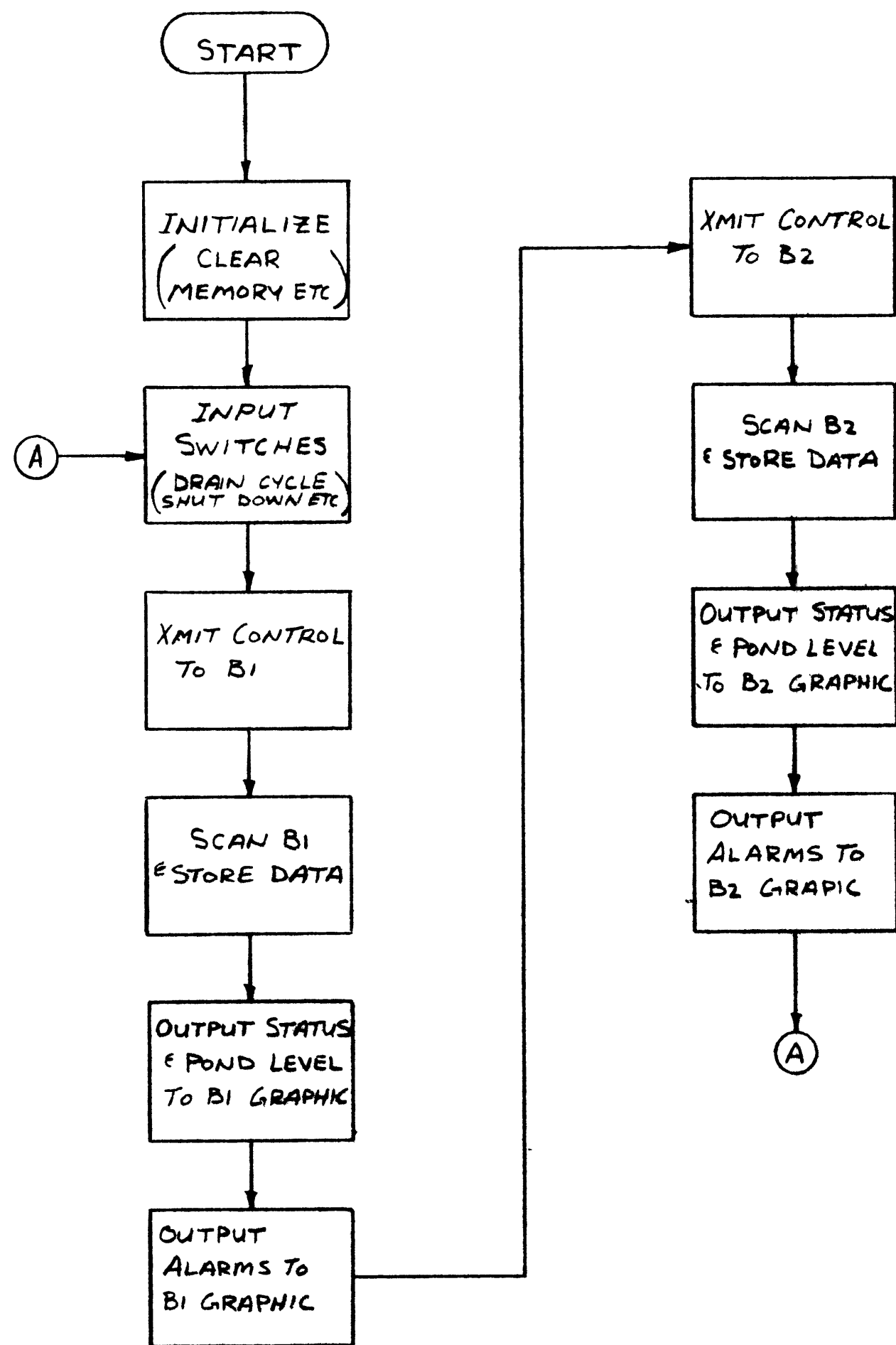
N.P. No	TOP LINE	MIDDLE LINE	BOTTOM LINE	No. REVD
1	SOUTH SUPERIOR	OVERFLOW POND	LEVEL (FEET)	1
2	BILLINGS PARK	OVERFLOW POND	LEVEL (FEET)	1
3	START		DRAIN CYCLE	2
4	EMERGENCY		SHUTDOWN	2
5		LAMP TEST		2
6	ANNUNCIATOR		SILENCE	2
7	ANNUNCIATOR		TEST	2
8		CONTROL POWER		1

UNIT A1 & A2
MAIN PLANT
DISPLAY PANEL

NOTE DISTRICT No 6 PANEL
DOSTN T HAVE A CARD CAGE ASSY

A	REVISED	9-29-77
REVISIONS		

DESIGNED BY ROD HAYMS	DATE 2-8-77	 edison controls inc 2802 S. 7th AVE. NORTH ST. PAUL, MINN.
CHECKED BY	DATE	
APPROVED BY	DATE	PROJECT NAME SUPERIOR WISC
SCALE		PROJECT NO. 1135
TITLE CARD CAGE LAYOUT & ENCLOSURE DETAIL		DRAWING NO. C/1135-003
		REV. A



SUPERIOR MASTER
MODULES
 CHANNEL
 SCAN
 MAINTAINED CONTROL
 ANNUNCIATION
 INPUTS
 OUTPUTS
 INITIALIZE

SCAN MESSAGE FORMAT - REMOTE TO MASTER

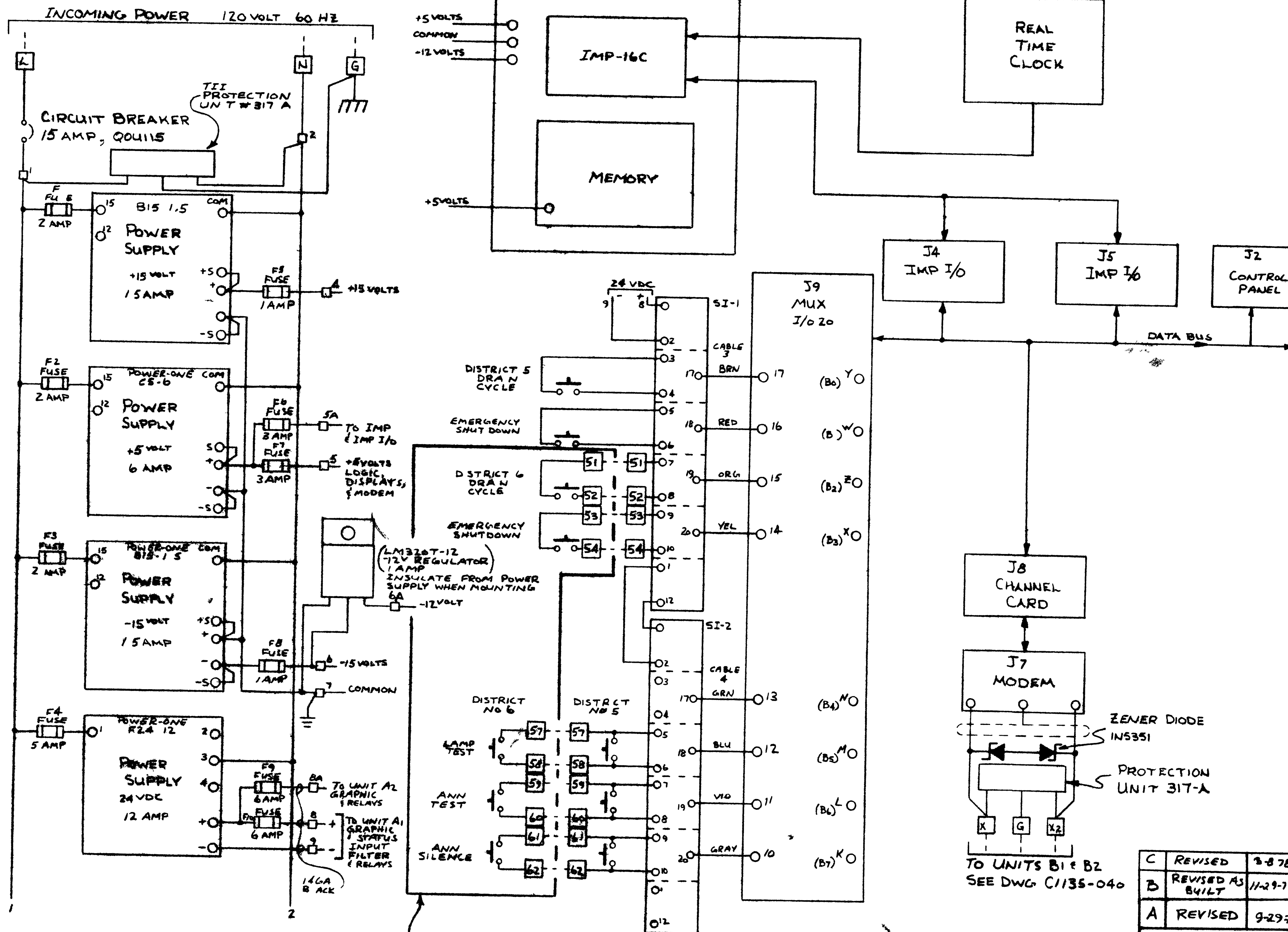
S	ADDRESS FUNCTION	STATUS	STATUS	STATUS	STATUS	STATUS	STATUS	STATUS	STATUS	STATUS	STATUS	STATUS	STATUS	STATUS	ALARMS	ALARMS	ALARMS	ALARMS	POND LEVEL	POND LEVEL	CRC	S
1	8	8	8	8	8	8	8	8	8	8	8	8	8	8	8	8	8	8	8	8	8	1

SCAN MESSAGE FORMAT - MASTER TO REMOTE

S	ADDRESS FUNCTION	CRC	S
1	8	8	1

UNIT A1 & A2
 MAIN PLANT
 DISPLAY PANEL

DESIGNED BY <i>R. H. HARRIS</i>	DATE 3-7-78	 edison controls inc 2542 E. 7th AVE. NORTH T. PAUL, WISCONSIN	REVISIONS
CHECKED BY	DATE		PROJECT NO. SUPERIOR, WISC
PROJECT NO.	DATE	PROJECT NO. 1135	DATE
TITLE MASTER FLOW CHART		DRAWING NO. C1135 0031	REV. 0

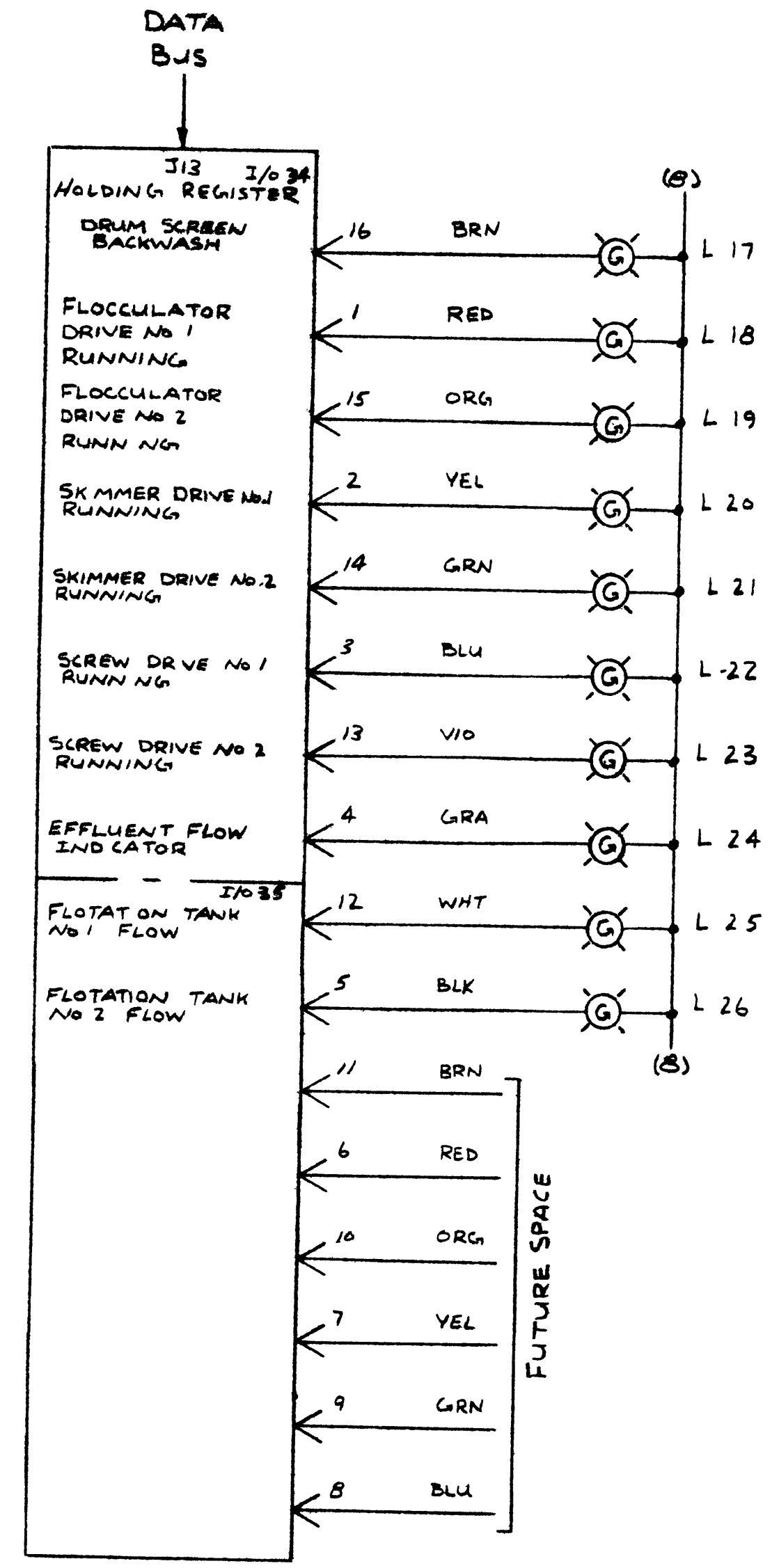
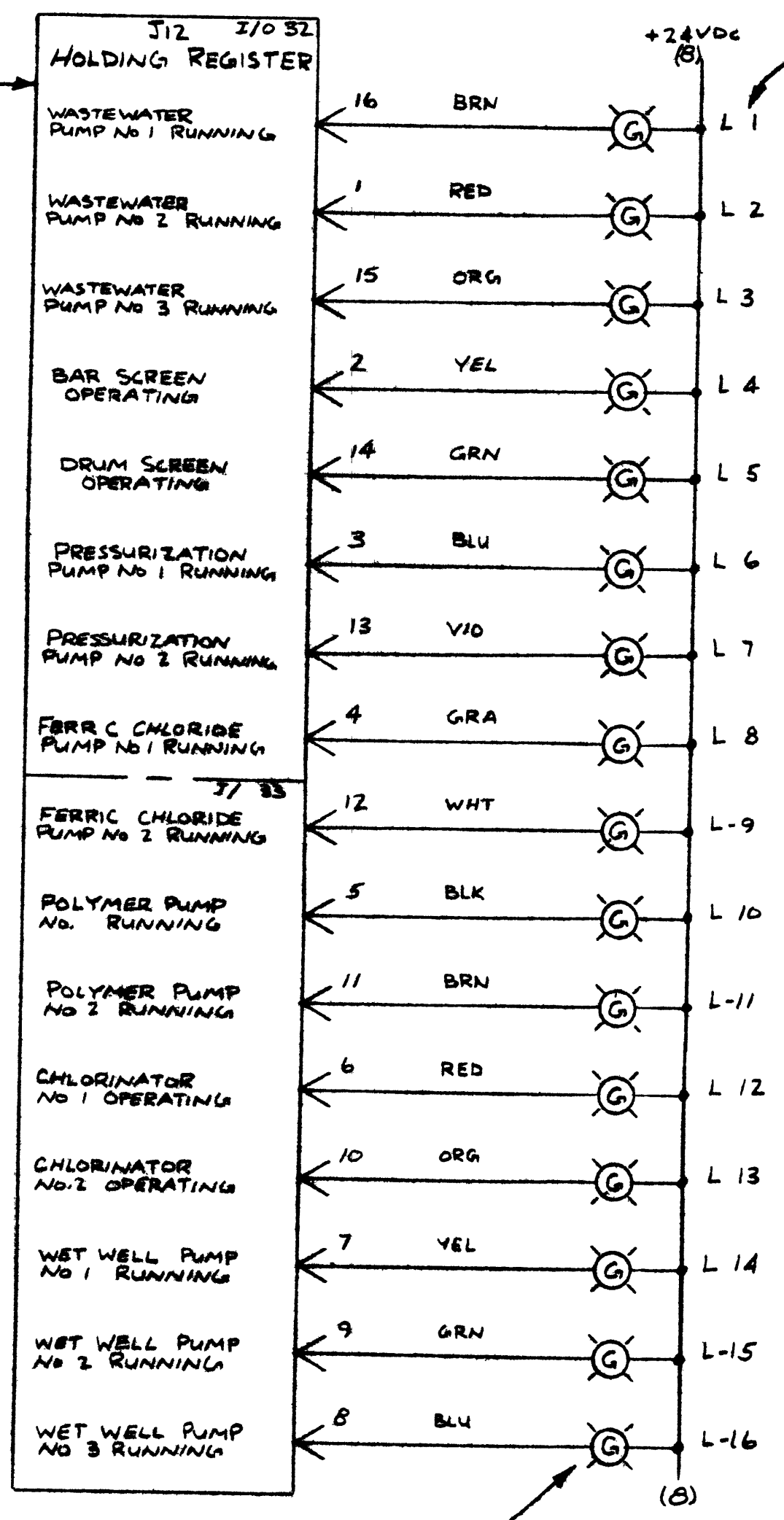
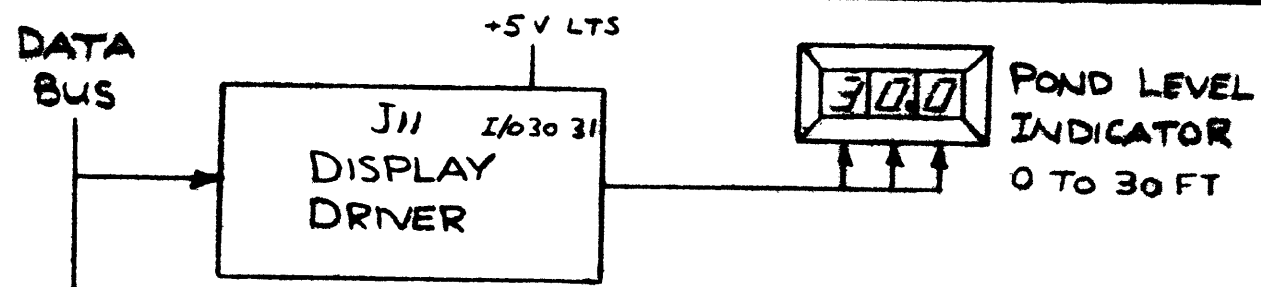


LOCATED IN
UNIT A2
BILLINGS PARK

UNIT A1
MAIN PLANT
DISPLAY PANEL

C	REVISED	3-8-78
B	REVISED AS BUILT	11-29-77
A	REVISED	9-29-77

DESIGNED BY ROD HAYNE	DATE 2-7-77	 edison controls inc 2808 E. 7th AVE. NORTH ST. PAUL, MINN.	PROJECT NO. 1135
APPROVED BY	DATE		PROGRAM NAME SUPERIOR WISC DIST. No 5 & No. 6
POWER SUPPLY WIRING		DRAWING NO. C1135-004	



GRAPHIC PANEL LIGHT 28V, 40MA #387

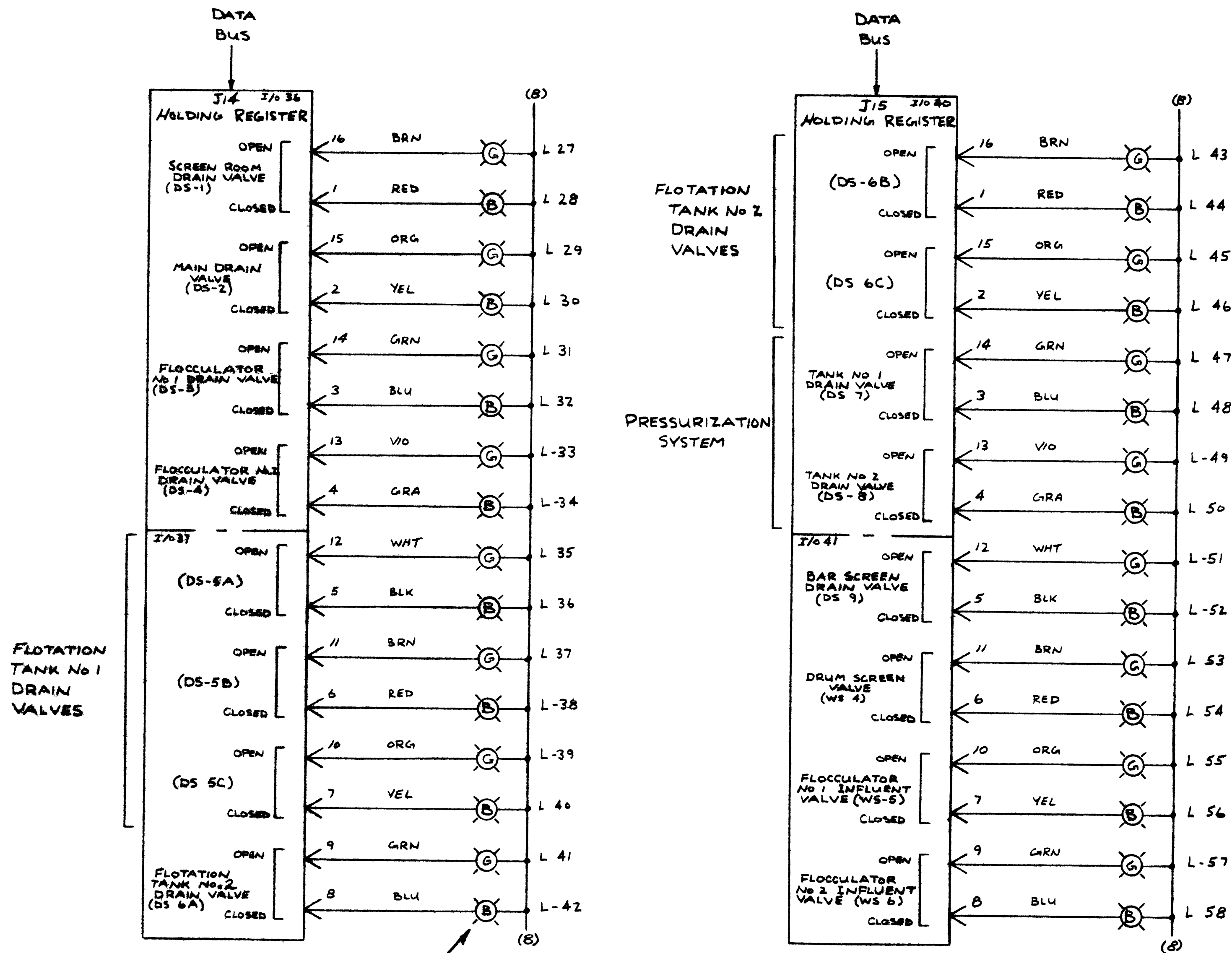
G - GREEN
R - RED
A - AMBER

DISTRICT No 5
CSO TREATMENT PLANT
SOUTH SUPERIOR

UNIT A1
MAIN PLANT
DISPLAY PANEL

C	REVISED	3-8-78
B	REVISED AS BUILT	11-29-77
A	REVISED	9-29-77

DESIGNED BY RED HAYNE	DATE 2-7-77	 edison controls inc 2802 E. 7th Ave. North St. Paul, MN	PROJECT NAME SUPERIOR, WISC, DIST. No 5 e No 6	FORM NO. 1135
APPROVED BY	DATE		TITLE STATUS LIGHT WIRING	DRAWING NO. C1135+005



FLOTATION TANK No 1 DRAIN VALVES

FLOTATION TANK No 2 DRAIN VALVES

PRESSURIZATION SYSTEM

GRAPHIC PANEL
LIGHT 28V 40 MA
#387

G - GREEN
R - RED
B - BLUE

DISTRICT No 5
CSO TREATMENT PLANT
SOUTH SUPERIOR

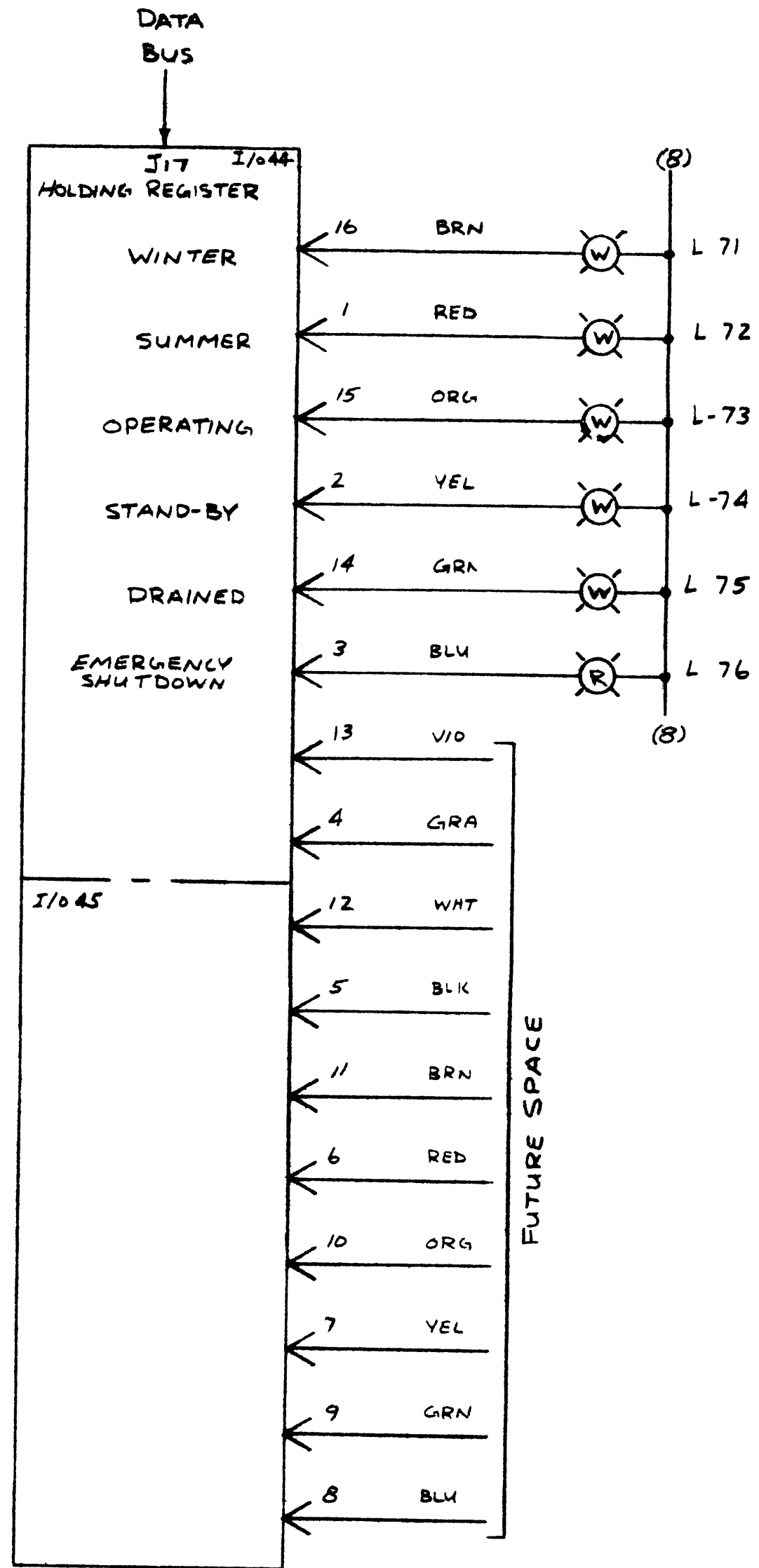
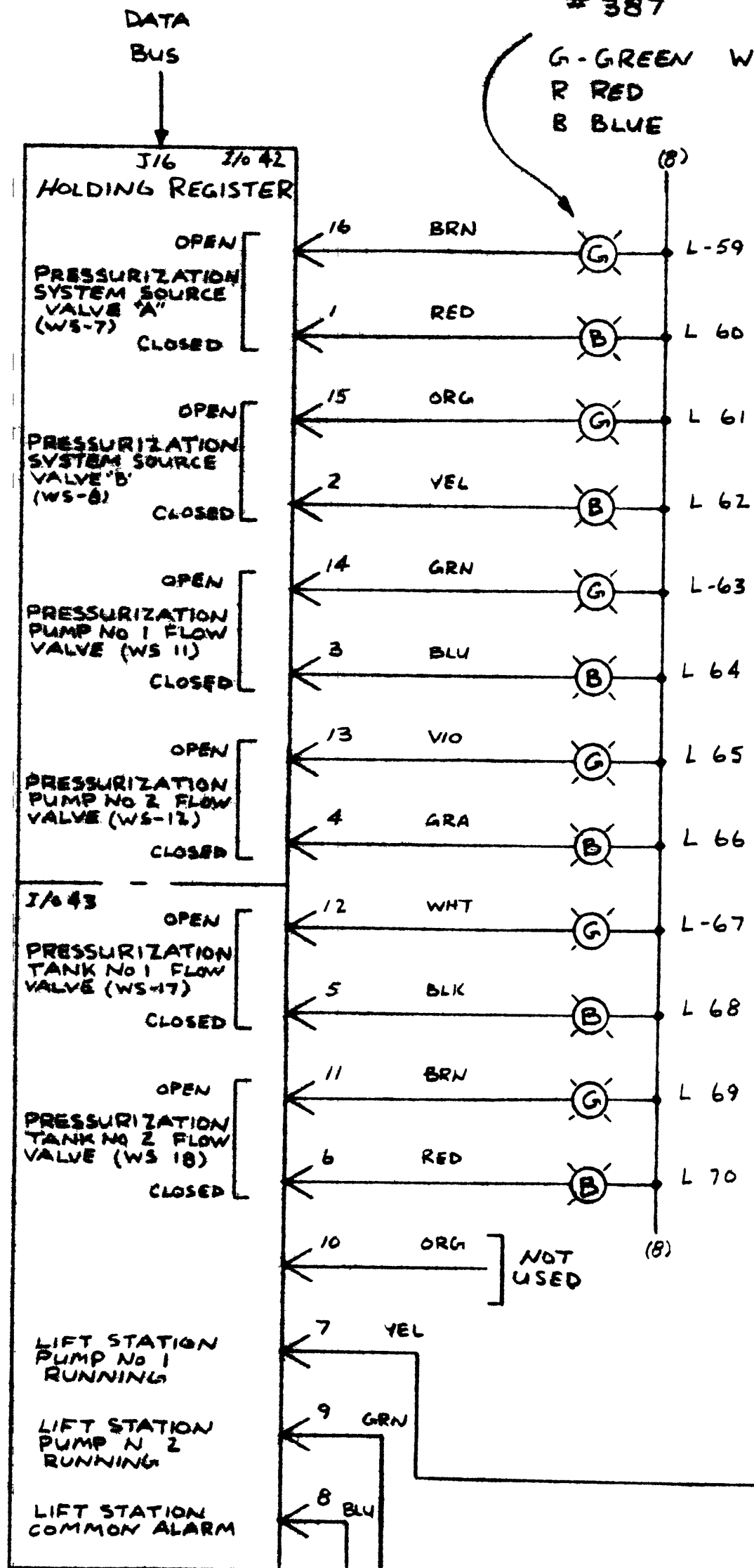
UNIT A1
MAIN PLANT
DISPLAY PANEL

REVISIONS		
C	REVISED	3-8-78
B	REVISED AS BUILT	11-29-77
A	REVISED	9-29-77

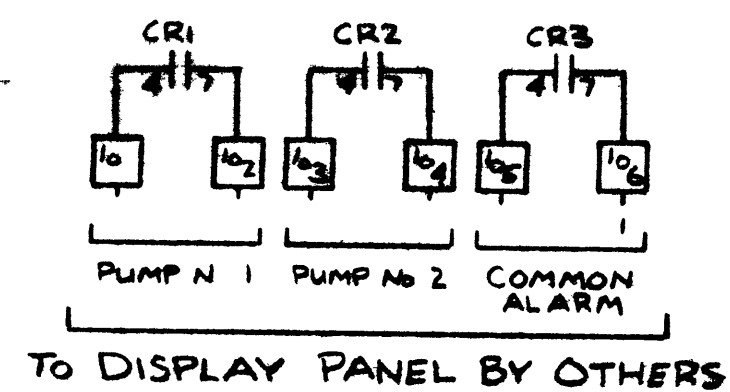
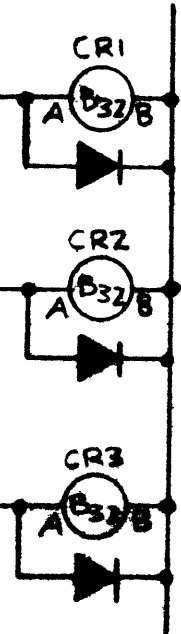
DESIGNED BY HAYNE	DATE 2-8-77	 edison controls inc 3542 E. 77th AV NORTH ST. PAUL, MINN.
APPROVED BY	DATE	
PROJECT NAME SUPERIOR WISC		PL. JEST. NO. 1135
TITLE STATUS LIGHT WIRING		DIST No 5 E No 6 C1135 006

GRAPHIC PANEL
LIGHT 28V 40MA
387

G - GREEN W - WHITE
R - RED
B - BLUE



+24VDC

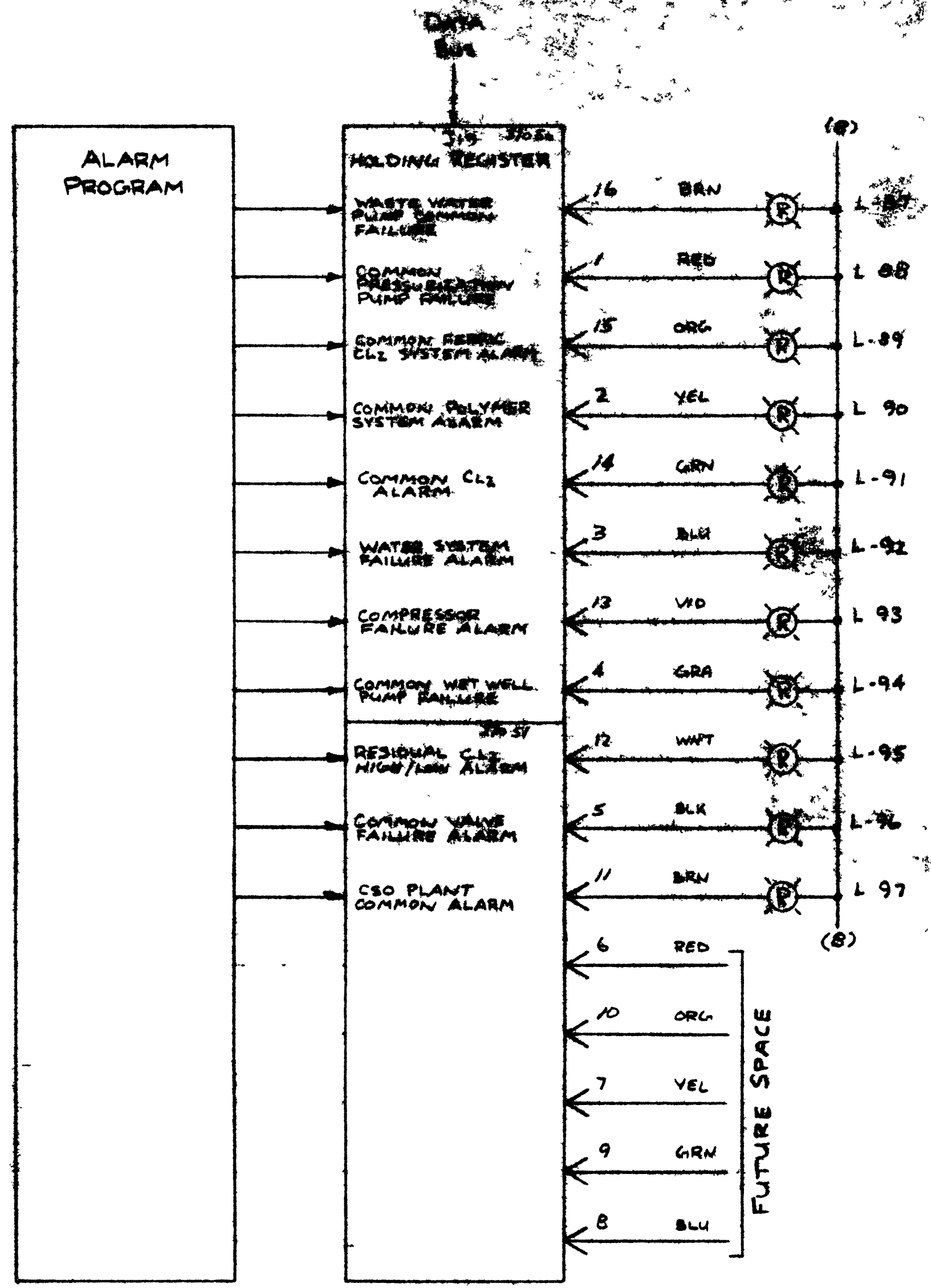
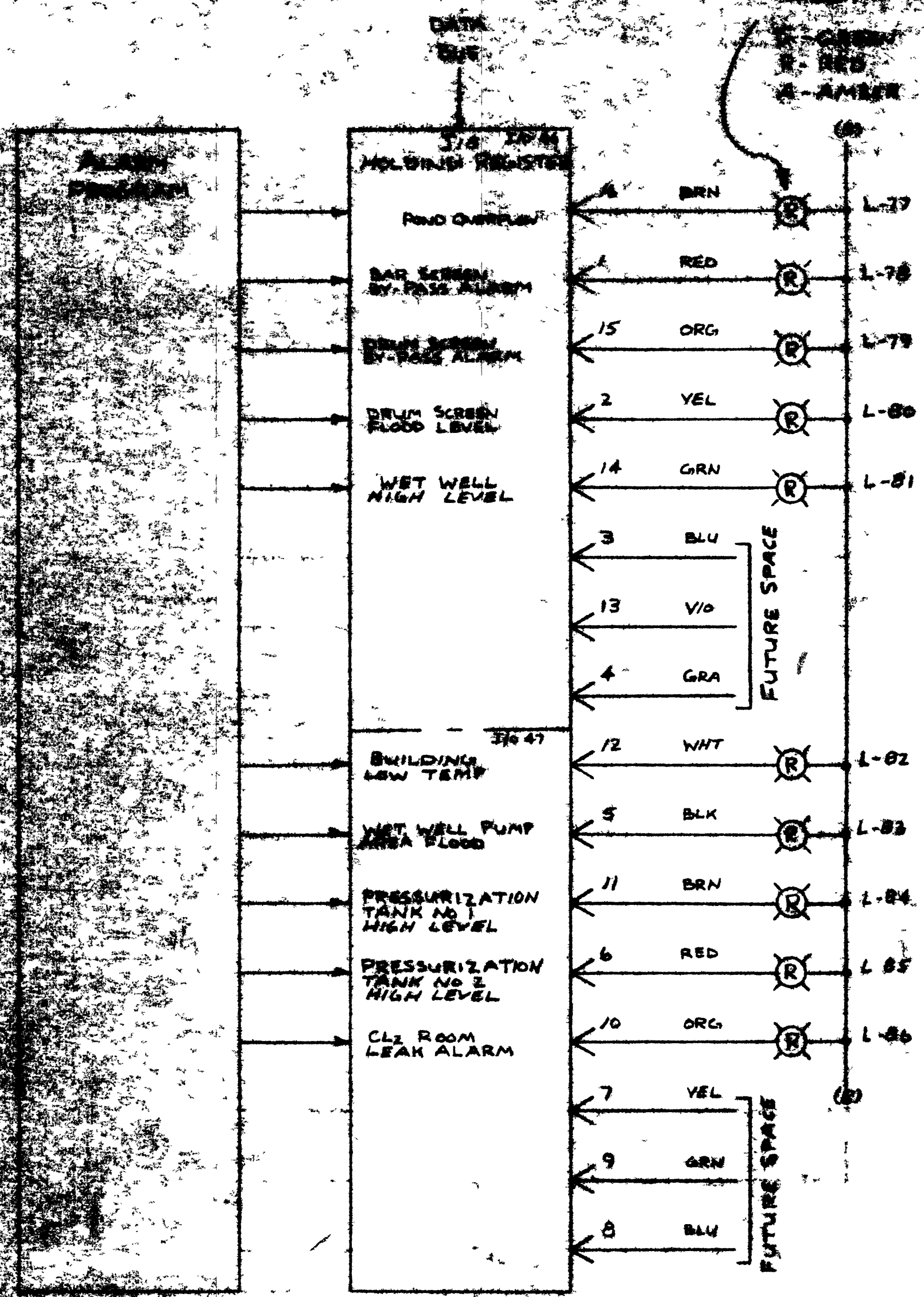


UNIT A1
MAIN PLANT
DISPLAY PANEL

C	REVISED	3 0 78
B	REVISED AS BUILT	11 29 77
A	REVISED	9-29-77

DISTRICT No 5
CSO TREATMENT PLANT
SOUTH SUPERIOR

DESIGNED BY Rep HAWNE	DATE 2 8 77	 3000 E. 7th Ave. NORTH ST. PAUL, MINN.
CHECKED BY	DATE	
APPROVED BY	DATE	PROJECT BY SUPERIOR WISC
SCALE		DIST No 5 & No. 6
STATUS LIGHT WIRING		1/35
		C1155-007



DISTRICT NO. 5
CSO TREATMENT PLANT
SOUTH SUPERIOR

UNIT A
MAIN PLANT'S
DISPLAY PANEL

C	REVISION	DATE
B	REVISION	DATE
A	REVISION	DATE

Edison Controls

10000 Edgemoor Ave. • St. Louis, MO 63123

TEL: (314) 733-1100 • FAX: (314) 733-1101

TELETYPE: (314) 733-1102

© 1988 Edison Controls

POWER FAILURE

TRANSMISSION FAILURE

GRN

YEL

BRN

BLU

VIO

GRN

BLU

GRN

BLU

BRN

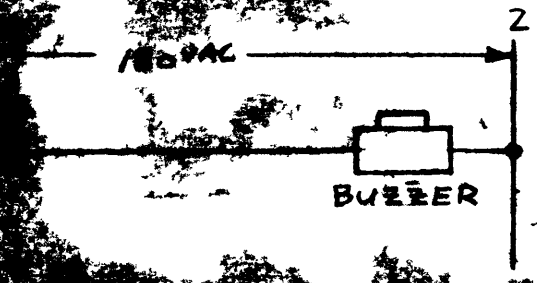
BRN

RED

GRN

FUTURE EXP.

MAIN OUTPUT

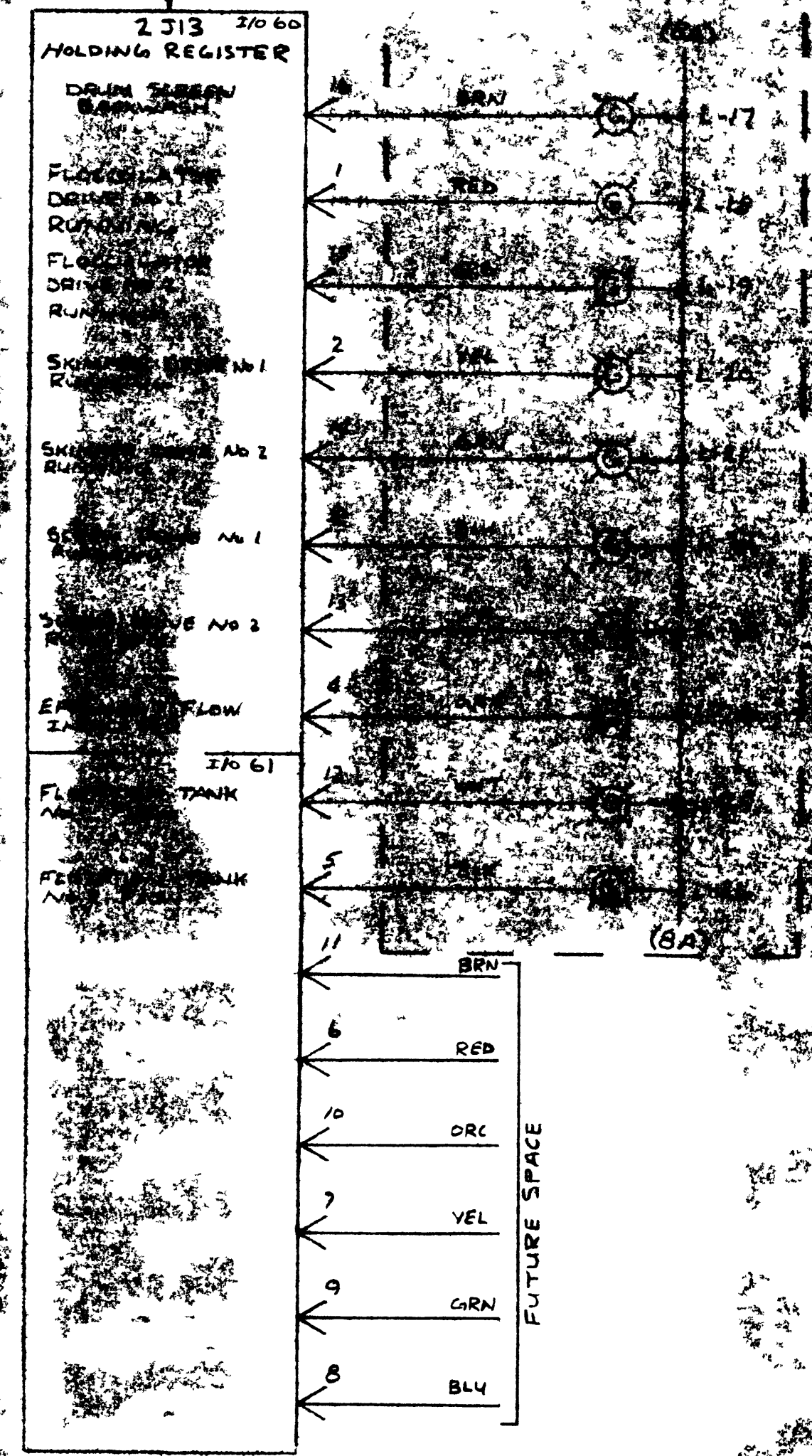


UNIT AT MAIN DISPLAY PANEL

SOUTH

UNIT A2 DISTRICT NO. 6

DATA BUS



GRAPHIC PANEL
LIGHT 28V 40MA
#387

G GREEN
R RED
A AMBER

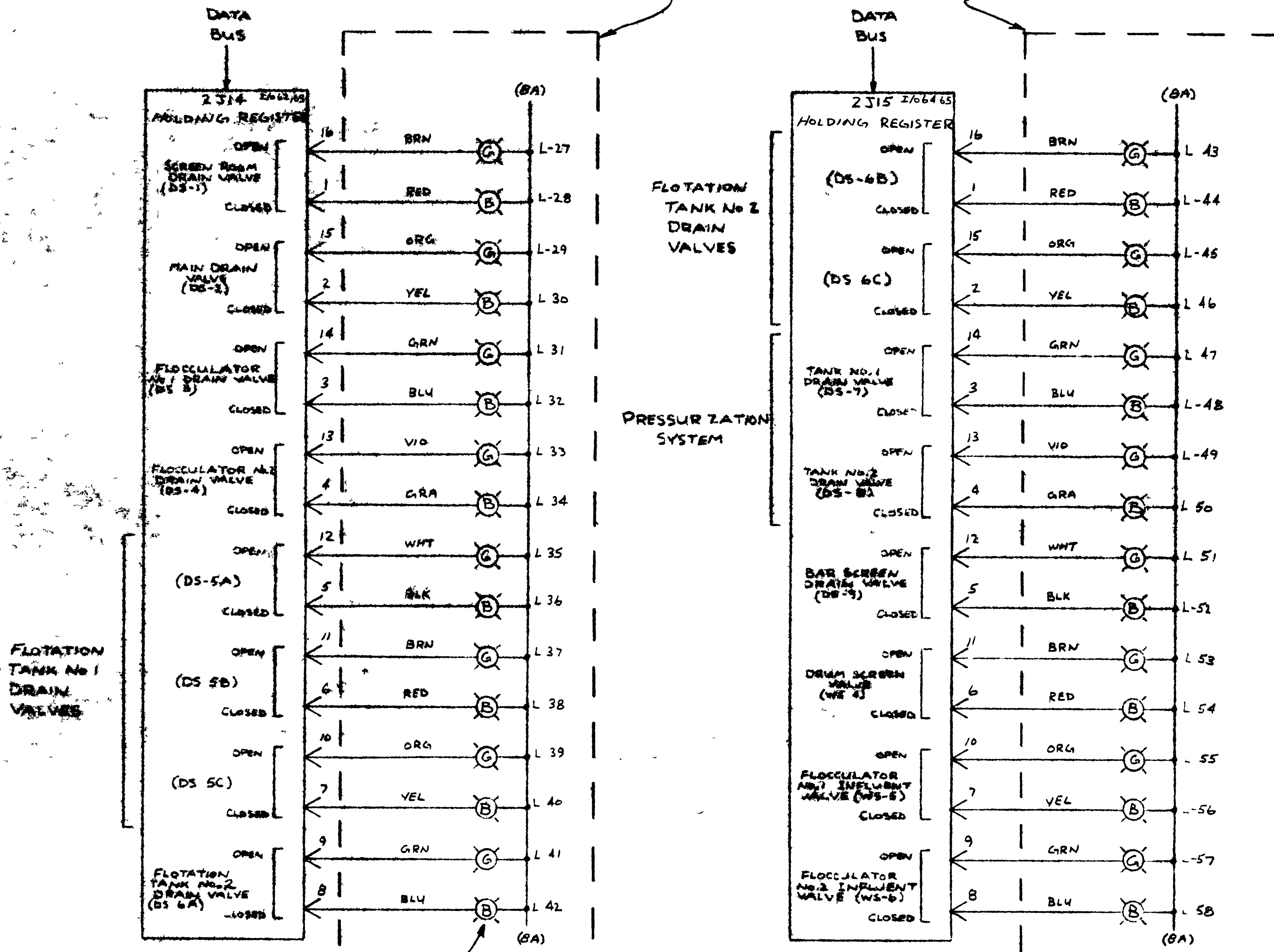
DISTRICT NO. 6
CSO TREATMENT PLANT
BILLINGS PARK

UNIT A2
MAIN PLANT
DISPLAY PANEL

C	REVISED	3-8-78
A	REVISED	11-2-77
A	REVISED	11-2-77

SUPERIOR WIRE DIST. NO. 5 & NO. 6 11351	
STATUS LIGHT WIRING	CMES-010

LOCATED IN
UNIT A2 DISTRICT No 6



FLOTATION
TANK No 1
DRAIN
VALVES

FLOTATION
TANK No 2
DRAIN
VALVES

PRESSURIZATION
SYSTEM

GRAPHIC PANEL
LIGHT 28V 40MA
#387
G - GREEN
R - RED
B - BLUE

UNIT A2
MAIN PLANT
DISPLAY PANEL

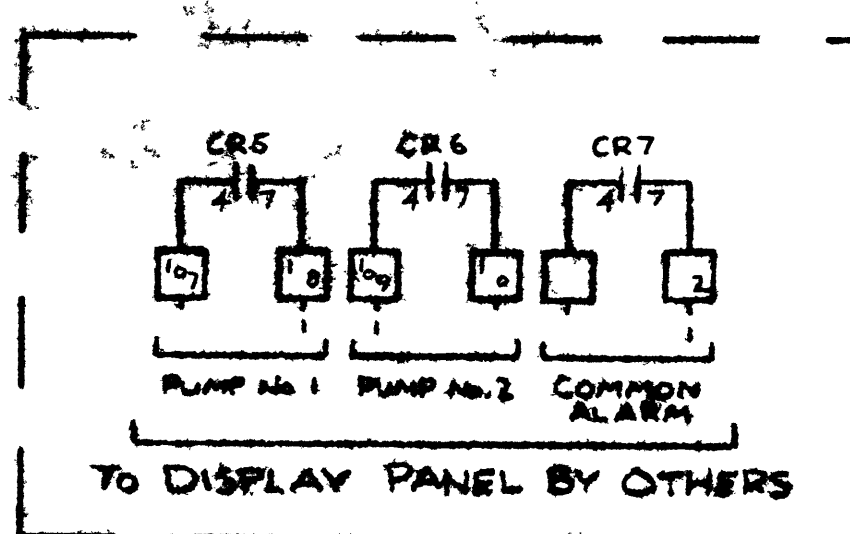
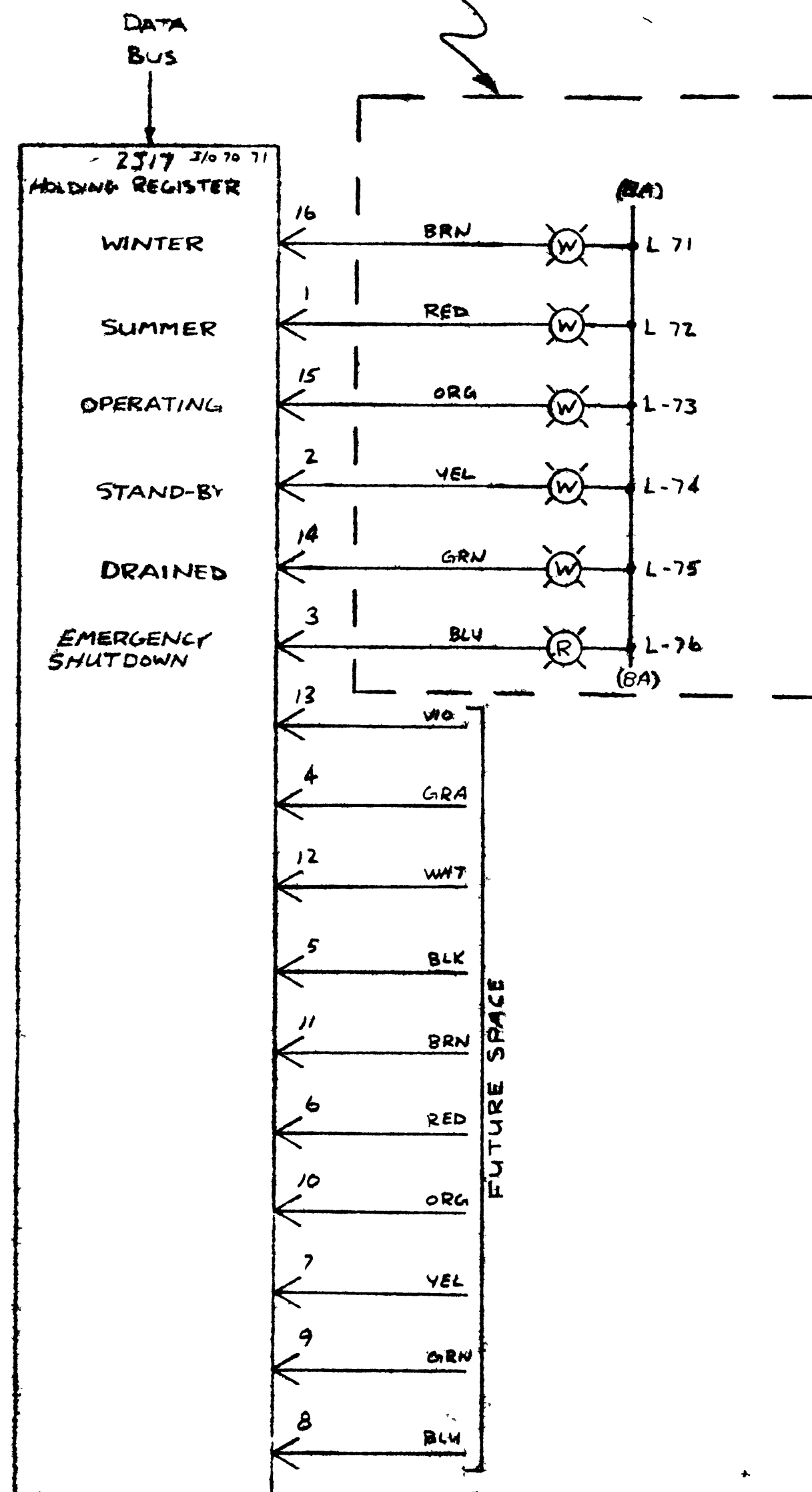
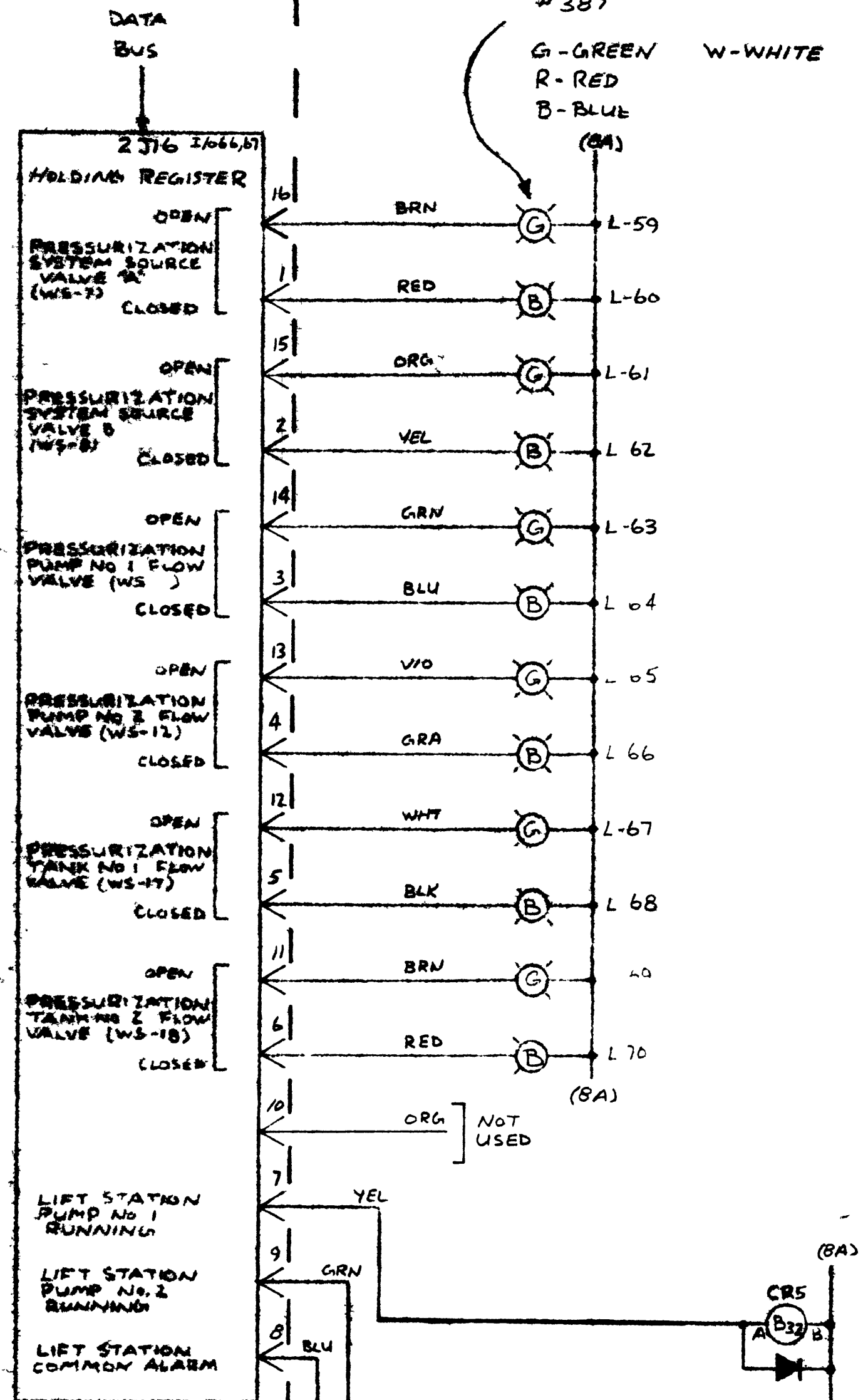
C	REVISED	3-8-78
B	REVISED AS BUILT	11-29-77
A	REVISED	9-23-77

DISTRICT No 6
CSO TREATMENT PLANT
BILLINGS PARK

DESIGNED BY RAY HAYNE	DATE 2-8-77		SUPERIOR WISC DST. No 5 E No 6	DRAWING NO. 1135
APPROVED BY	DATE			
STATUS LIGHT WIRING		C1185-011		

GRAPHIC PANEL
LIGHT 28V, 40MA
#387

LOCATED IN
UNIT A2 DISTRICT No 6



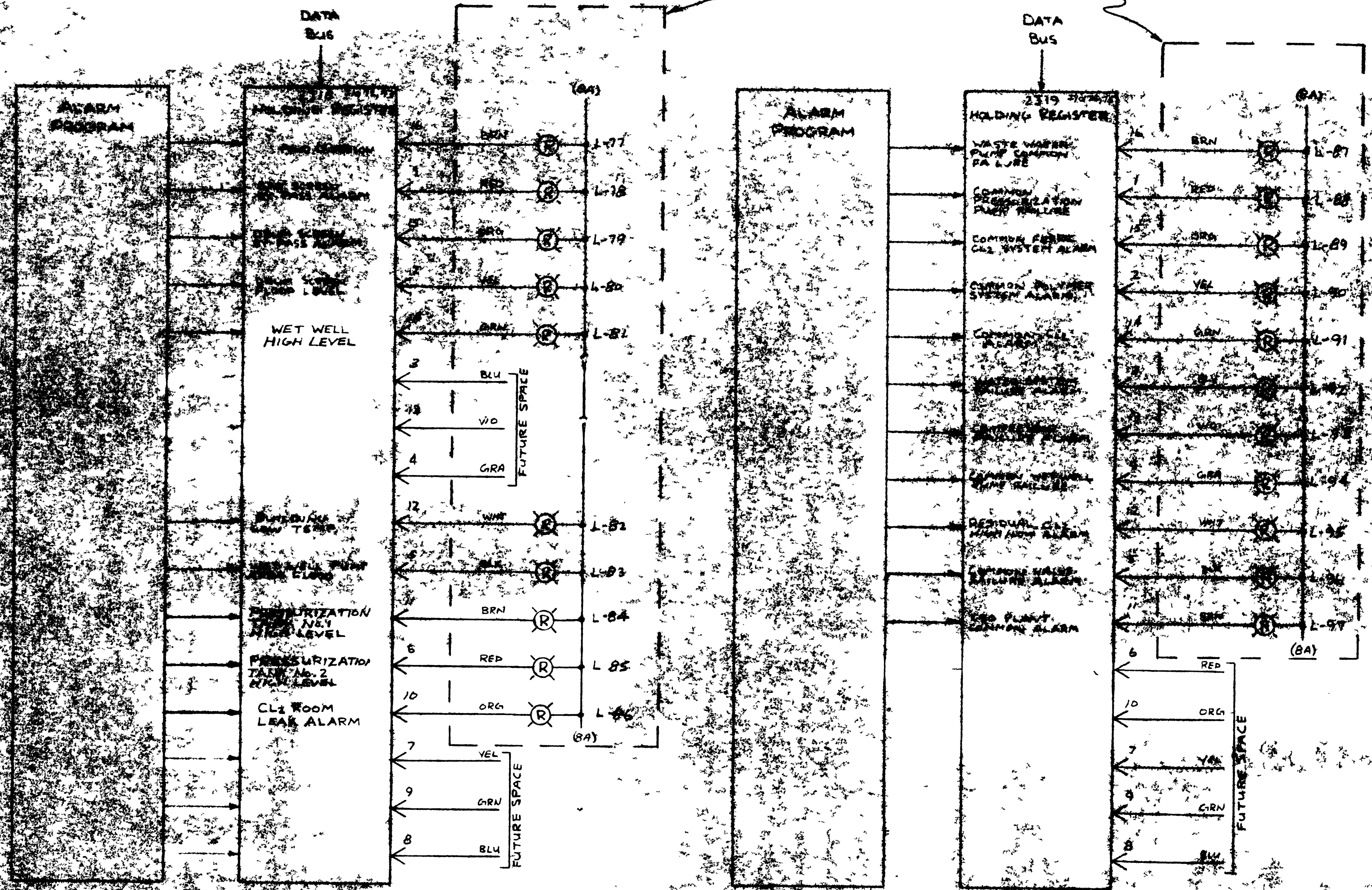
UNIT A2
MAIN PLANT
DISPLAY PANEL

C	REVISED	2-8-78
B	REVISED AS BUILT	1-29-77
A	REVISED	3-29-77

DISTRICT No 6
CSO TREATMENT PLANT
BELLWOOD PARK

edison controls inc	
SUPERIOR WISC.	
DIST No. 5 & No. 6	
1/35	
STATUS LIGHT WIRING	
C/135-012	

LOCATED IN
UNIT A2 DISTRICT No 6

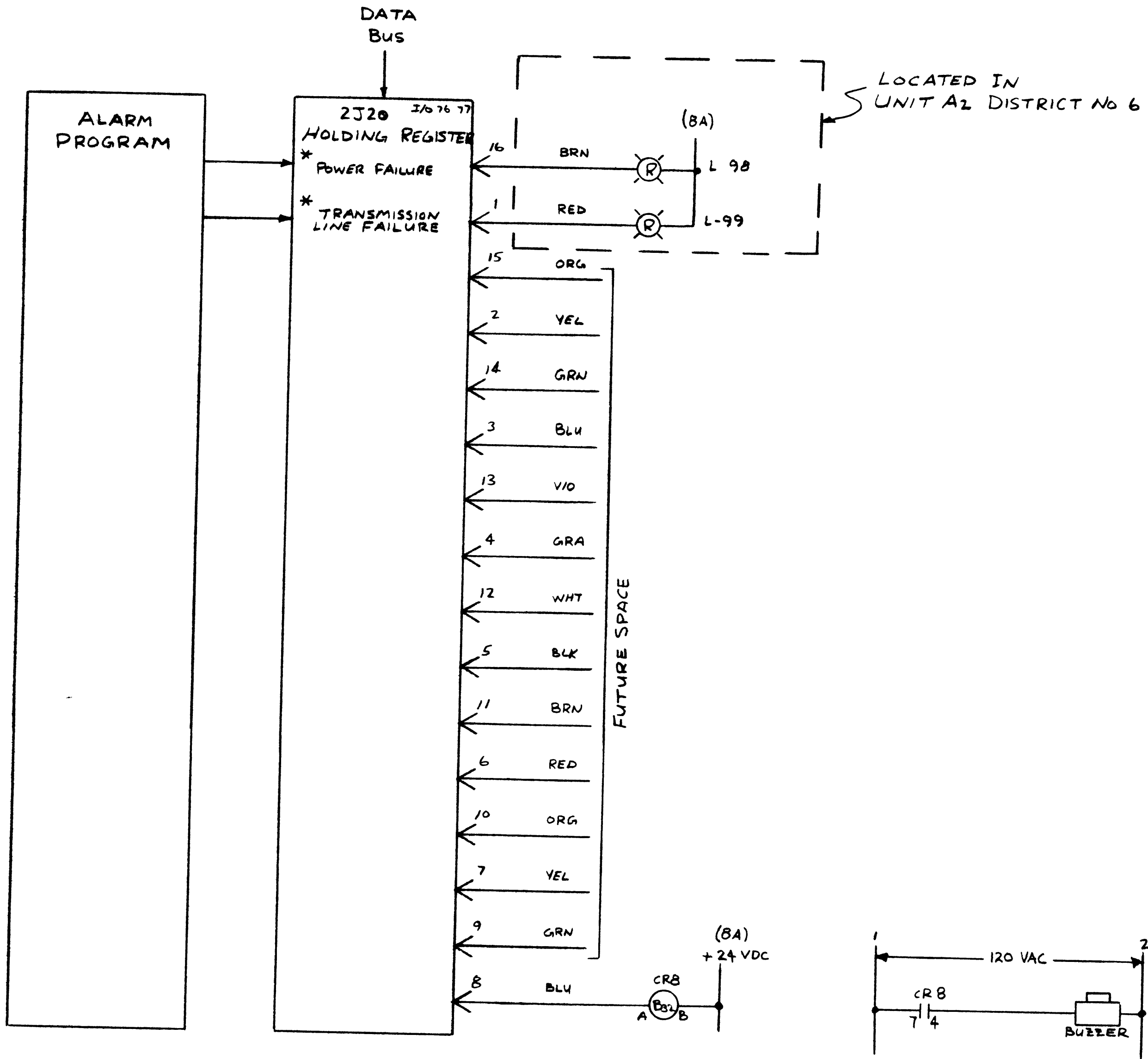


DISTRICT No 6
CEO TREATMENT PLANT
BILLINGS PARK

UNIT A2
MAIN PLANT
DISPLAY PANEL

DISTRICT No 6 CEO TREATMENT PLANT BILLINGS PARK		UNIT A2 MAIN PLANT DISPLAY PANEL	
edson controls inc SUPERVISOR W/KEY DIST. No. 5 E Ab 6 1/35		STATUS LIGHT WORKING	

* GENERATED IN
SCAN PROGRAM



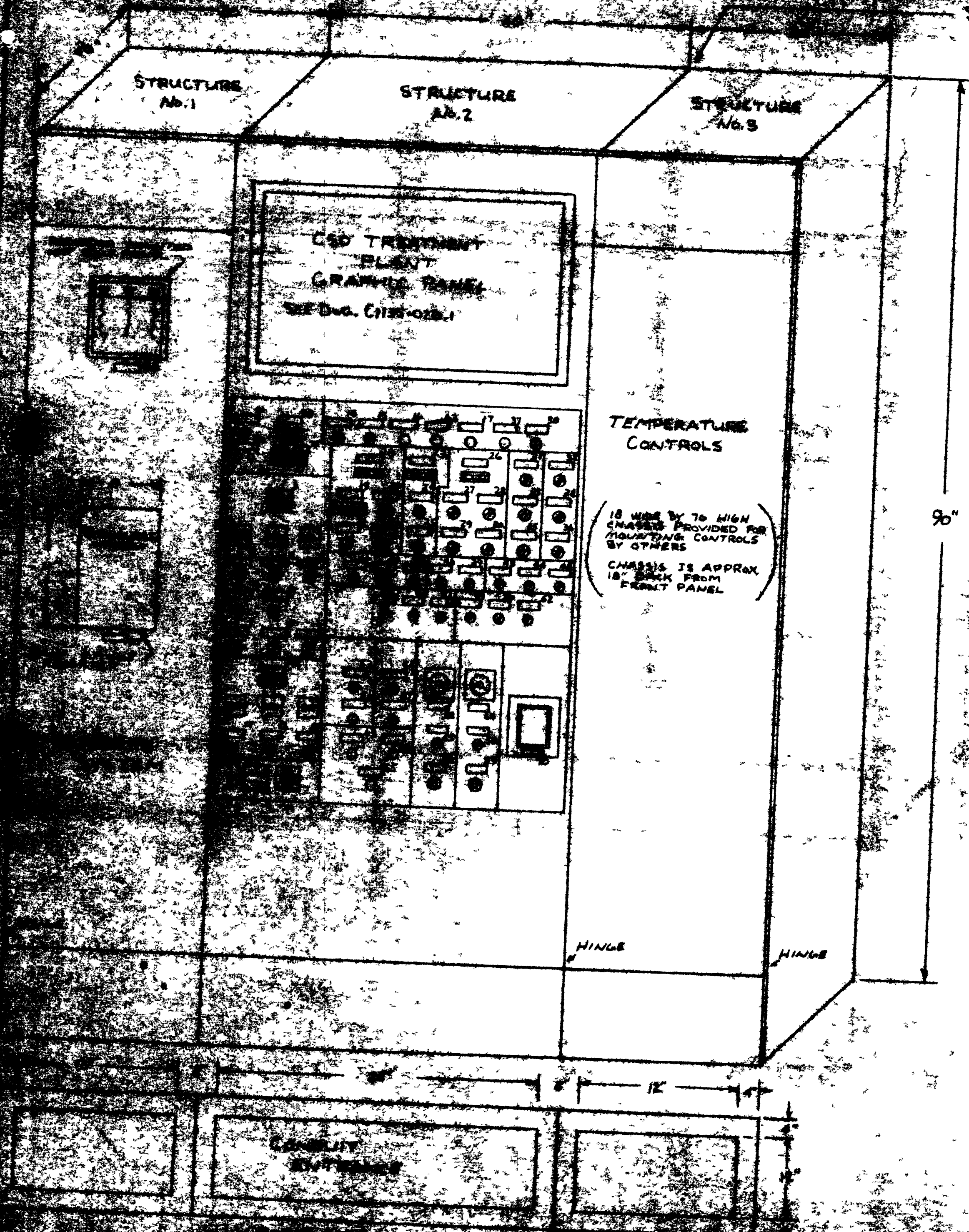
UNIT A2
MAIN PLANT
DISPLAY PANEL

DISTRICT No 6
CSO TREATMENT PLANT
BILLINGS PARK

B	REVISED	3-8 78
A	REVISED	9-29-77

DESIGNED BY <i>Red Hawk</i>	DATE 6-7-77	 edison controls inc <small>2562 7th AVE. NORTH PAUL, MINN.</small>
APPROVED BY	DATE	
PROJECT NO. SUPERIOR WISC		PROJECT NO. 1135
TITLE STATUS LIGHT WIRING		DRAWING NO. C1135-014

DWGS C1135-015 THRU C1135-019 ARE NOT USED



SHIPPING
SPLIT

STRUCTURE
No. 1

STRUCTURE
No. 2

STRUCTURE
No. 3

CSD TREATMENT
PLANT
SUPERVISORY
CONTROL PANEL
SEE DWG. C/135-021

TEMPERATURE
CONTROLS

18 WIDE BY 76 HIGH
CHASSIS PROVIDED FOR
MOUNTING CONTROLS
BY OTHERS
CHASSIS IS APPROX
18" BACK FROM
FRONT PANEL

96"

HINGE

HINGE

12"

CABINET

NOTES

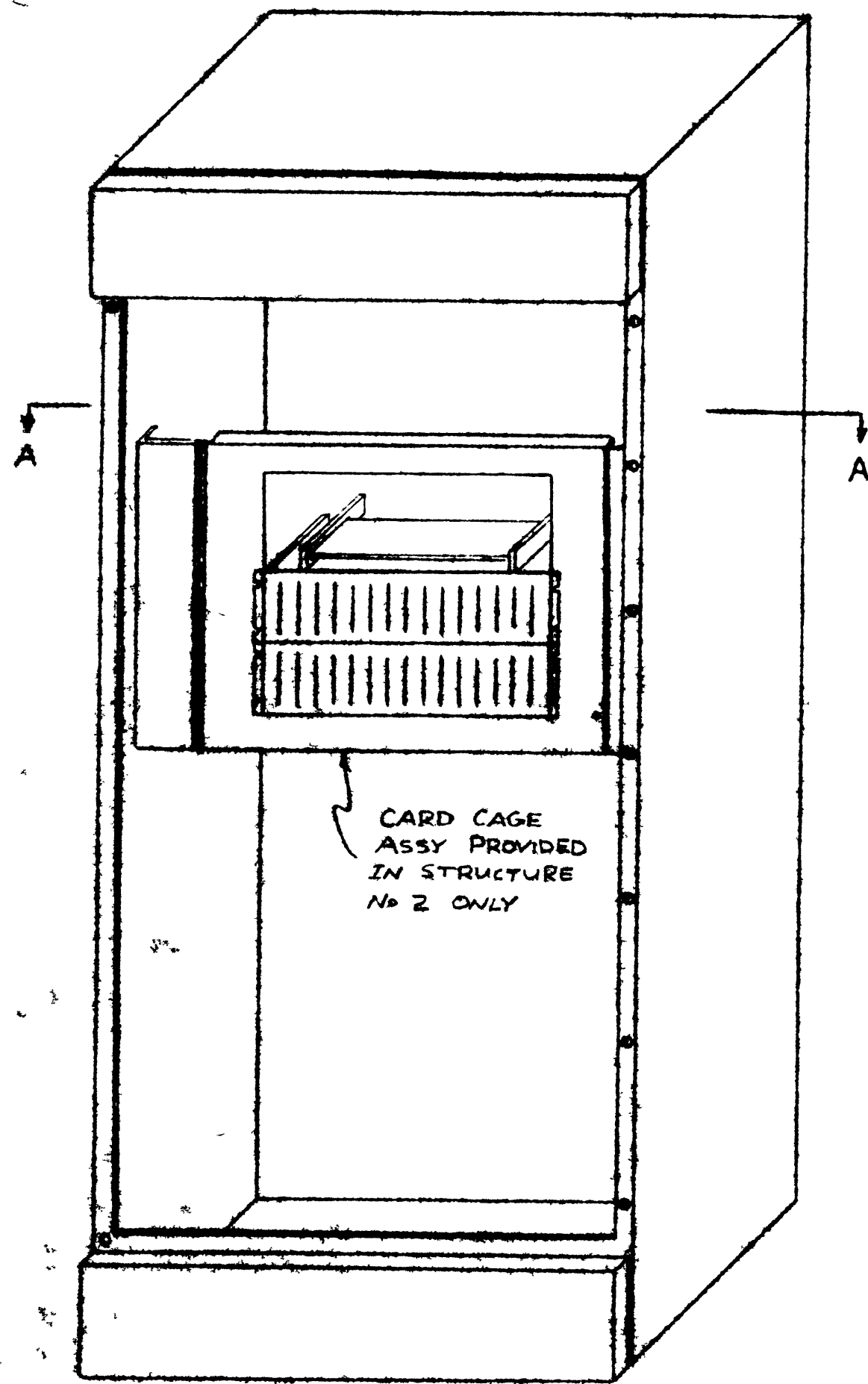
- 1) ENCLOSURE IS NEMA 1
OF 12 GA CRS CONSTRUCTION
- 2) FINISH: ANSI-49 MEDIUM GRAY
- 3) FRONT ACCESS ONLY
- 4) NAMEPLATE DESIGNATION SEE
DWG C/135-021

(2) TWO IDENTICAL UNITS

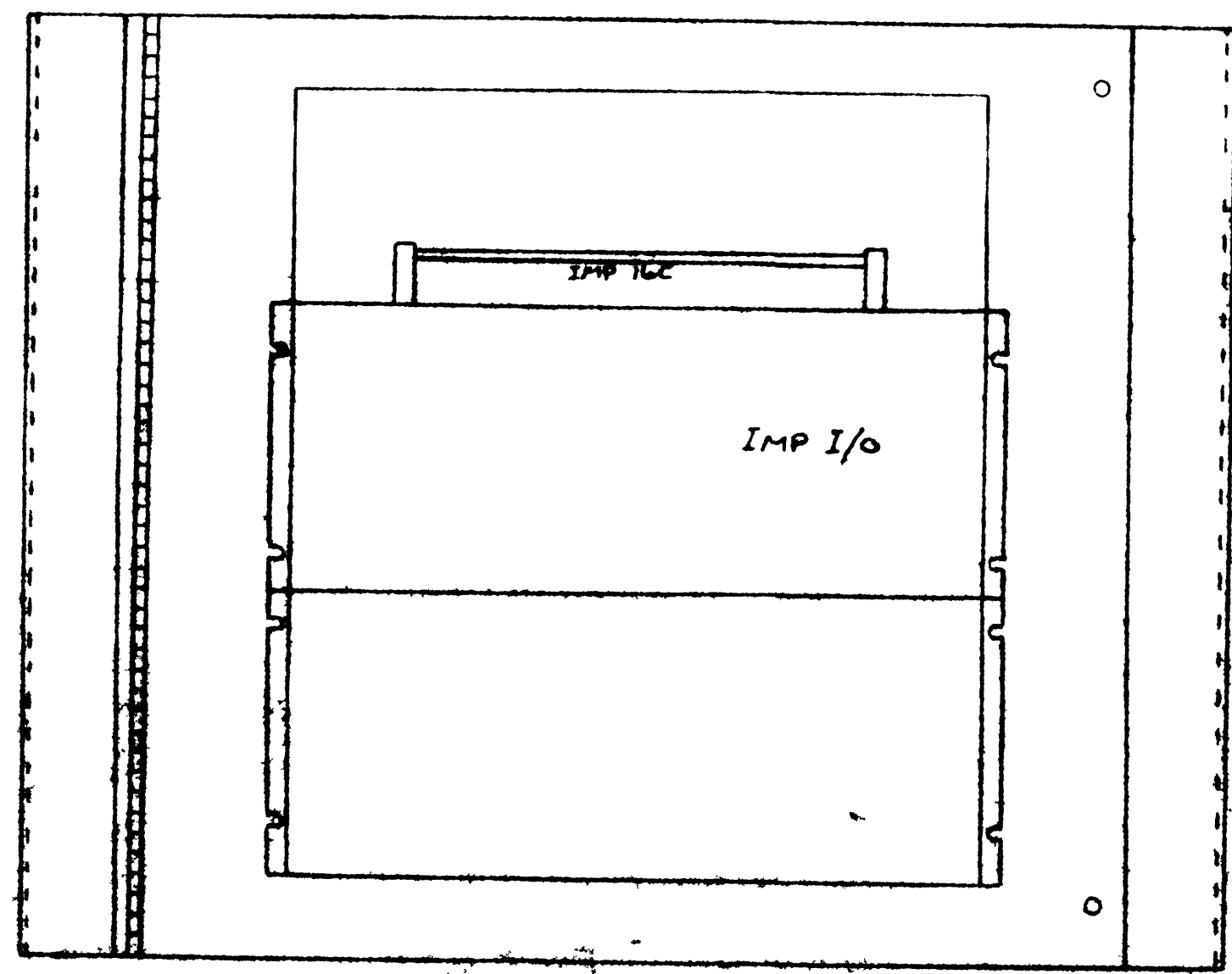
UNIT B1 - DISTRICT No. 5 CSD
TREATMENT PLANT SUPERVISORY
PANEL "SOUTH SIDE"

UNIT B2 - DISTRICT No. 6 CSD
TREATMENT PLANT
SUPERVISORY PANEL
"BILLINGS SIDE"

C	REVISION	
B	REVISED	
A	REVISED	

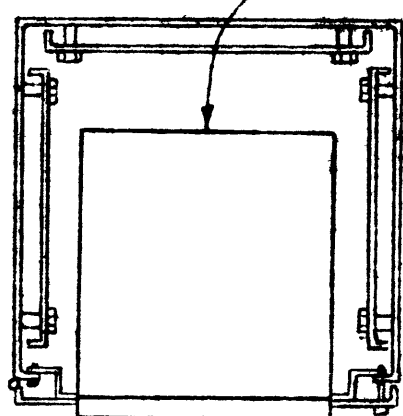


CARD CAGE
ASSY PROVIDED
IN STRUCTURE
NO 2 ONLY



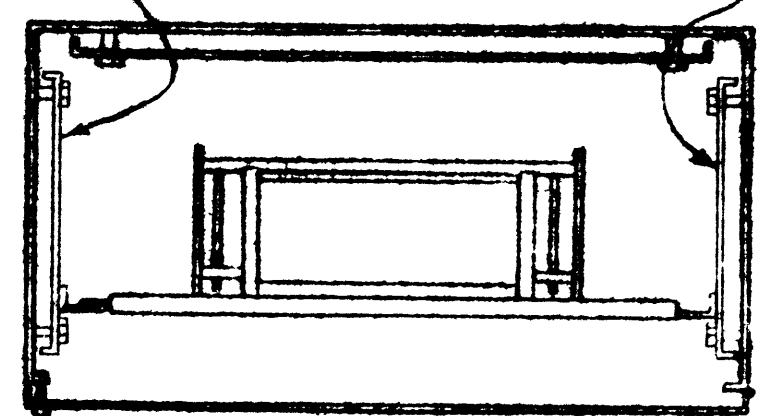
(FRONT VIEW)

RECORDER
MOUNTING
DETAIL

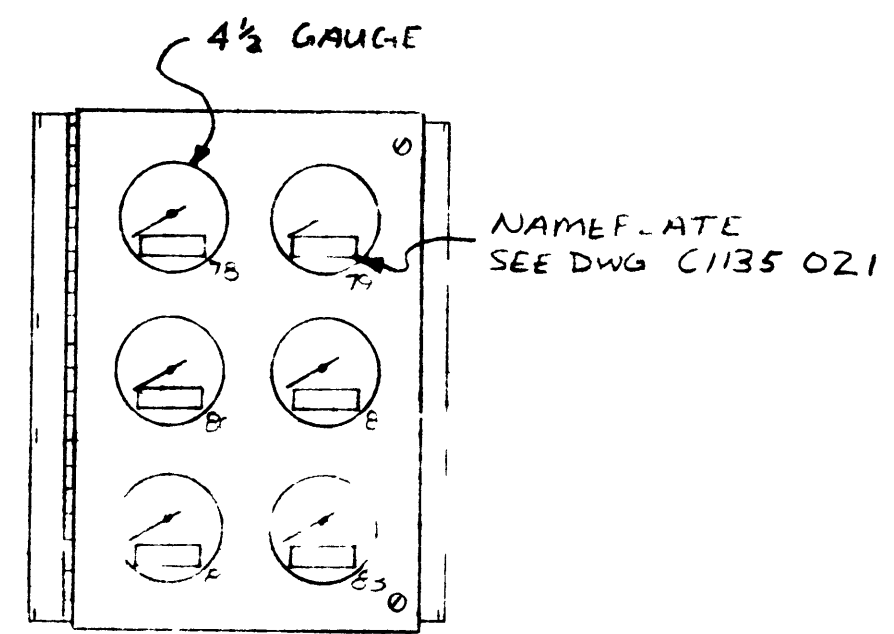


NOTE STRUCTURE
NO 1 IS HINGED
ON LEFT

SIDE PANEL PROVIDED
IN STRUCTURE NO 1 & NO 2
ONLY



SECTION AA



4 1/2 GAUGE

NAMEPLATE
SEE DWG C1135 021

BUBBLER GAUGES
MOUNTED IN
STRUCTURE NO 1

UNIT B1 & B2
CSO SUPERVISORY PANEL

B	REVISED	3-8-78
A	REVISED FOR APPROVAL	11-2-77

DESIGNED BY Rep	DATE 2-8-77	 2000 S. 7th AVE. NORTH L. PAUL, MINN.
CHECKED BY	DATE	
PROJECT NO.	SUPERIOR WISC	1135
CARD CAGE LAYOUT & ENCLOSURE DETAIL		C1135-022

SENSOR NOTATION

I P-1 → CONDUCTIVITY PROBE
LEVEL SENSOR

B-1 → BUBBLER SYSTEM No 1
WITH COMPRESSION BELL

* LOCATED IN STILLING WELL
PROVIDED BY OTHERS

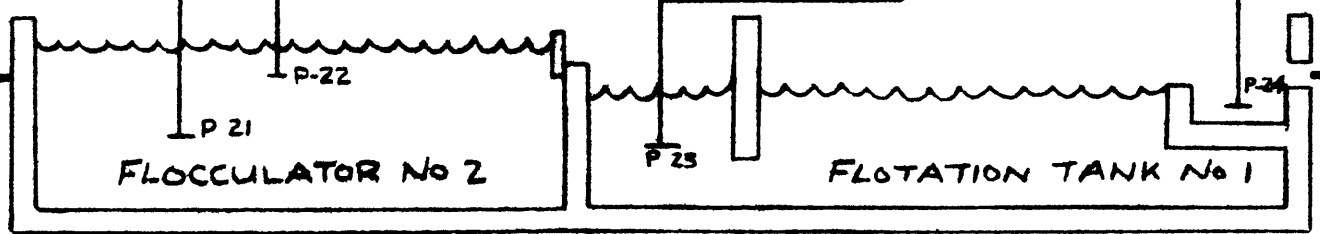
- FLOOD LEVEL SHUTDOWN WASTEWATER PUMP No 1 & No 2 (SCREW) & WAIT FOR MANUAL RESTART
- BY-PASS LEVEL
- START BACKWASH VALVE
- STOP BACKWASH VALVE

- 1 IF LEAD TANK OPEN SOURCE VALVE WS 7
- 2 START PRESSURIZATION SYSTEM No 2

START SCRAPER & SCREW DRIVE & OPERATE ON PERCENTAGE TIMER & 0 TO 10 MIN DELAY ON SHUTDOWN

START POLYMER PUMP No 2 (LESS THAN 6 FT LONG) PROBE ROD

START FLOCCULATOR DRIVE & STOP ON SHUTDOWN

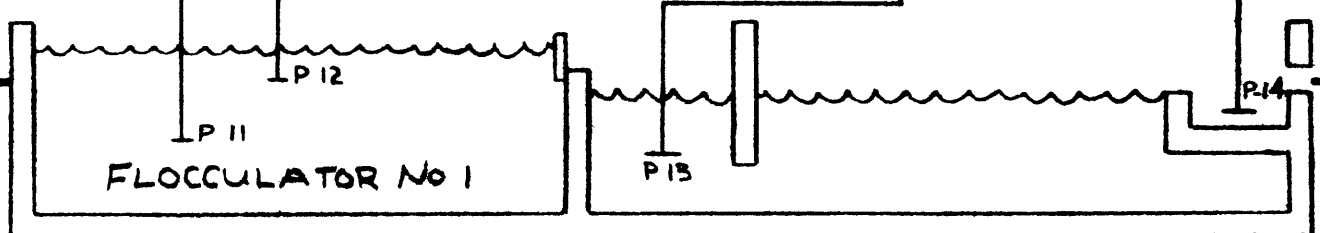


- 1 IF LEAD TANK OPEN SOURCE VALVE WS 7
- 2 START PRESSURIZATION SYSTEM No 1

START SCRAPER & SCREW DRIVE & OPERATE ON PERCENTAGE TIMER & 0 TO 10 MIN DELAY ON SHUTDOWN

START POLYMER PUMP No 1

START FLOCCULATOR DRIVE & STOP ON SHUTDOWN



RELEASE LAG SCREW PUMP FOR OPERATION BY POND LEVEL

OPEN SOURCE VALVE WS B & CLOSE WS 7

PLANT EFFLUENT

PLANT EFFLUENT CHANNEL

FLOW SIGNAL TO SAMPLERS (4 0 MA OR PULSE)

B-3 PARSHALL FLUME LEVEL

PARSHALL FLUME

- FLOW 1 (START LEAD FERR C CHLOR DE PUMP)
 - FLOW 2 (START LAG FERR C CHLOR DE PUMP & OPEN INFLUENT VALVE FOR LAG FLOCCULATOR TANK)
- FLOW 1 & 2 ARE ALSO USED TO DETERMINE RUN STATUS OF SCREW PUMPS

DOWNSTREAM

BY PASS



BUBBLER SYSTEM TO MEASURE UP & DOWN STREAM LEVELS TO CYCLE BAR SCREEN RAKE 24 HR TIMER CAN ALSO CYCLE BAR SCREEN RAKE

BY PASS LEVEL ALARM

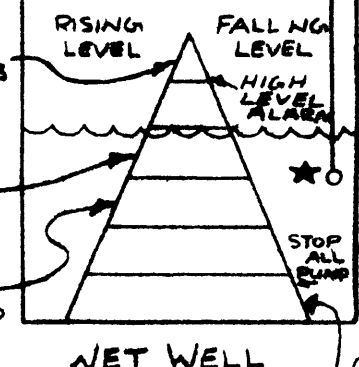
UPSTREAM

ALL DRAIN VALVES DRAIN INTO WET WELL

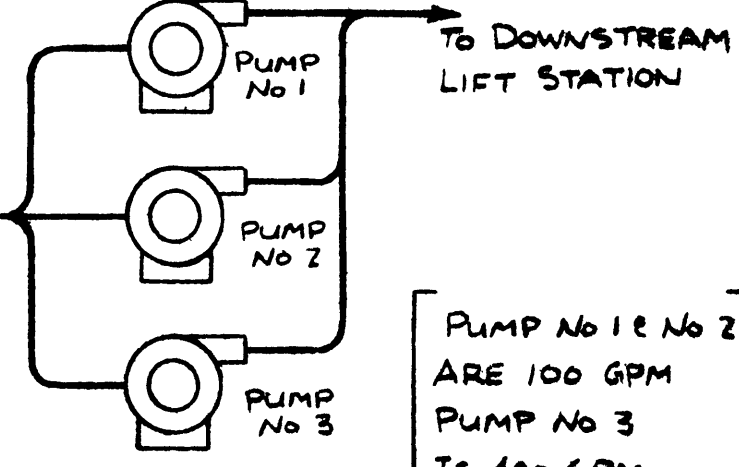
WET WELL LEVEL IS MEASURED BY BUBBLER SYSTEM B-5

HIGH LEVEL LOCKOUT WASTE WATER PUMP No 3
RESTART WASTEWATER PUMP No 3 AFTER WET WELL HIGH LEVEL LOCKOUT

START PUMP No 1 OR No 2 (ALTERNATED BY TIMER AND EACH CYCLE) & PUMP No 3 IF ALLOWED BY DOWNSTREAM LIFT STATION LEVEL



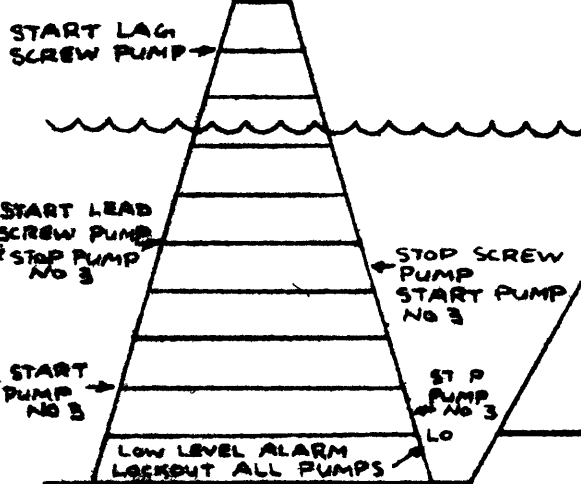
NET WELL
LOW LEVEL ALARM AND LOCKOUT ALL PUMPS



PUMP No 1 & No 2 ARE 100 GPM
PUMP No 3 IS 400 GPM

OVERFLOW POND LEVEL MEASURED BY BUBBLER SYSTEM B-1

RISING LEVEL FALLING LEVEL
OVER FLOW ALARM



OVERFLOW POND WASTEWATER PUMP PROGRAM

LIMIT SWITCH ON CHECK VALVE USED TO DETERMINE RUN STATUS

NOTE, PUMP No 1 & No 2 ARE SCREW PUMPS & PUMP No 3 IS SUBMERSIBLE

UNIT B1 & B2
CSO SUPERVISORY
PANEL

A	REVISED FOR APPROVAL	11/21/77
---	----------------------	----------

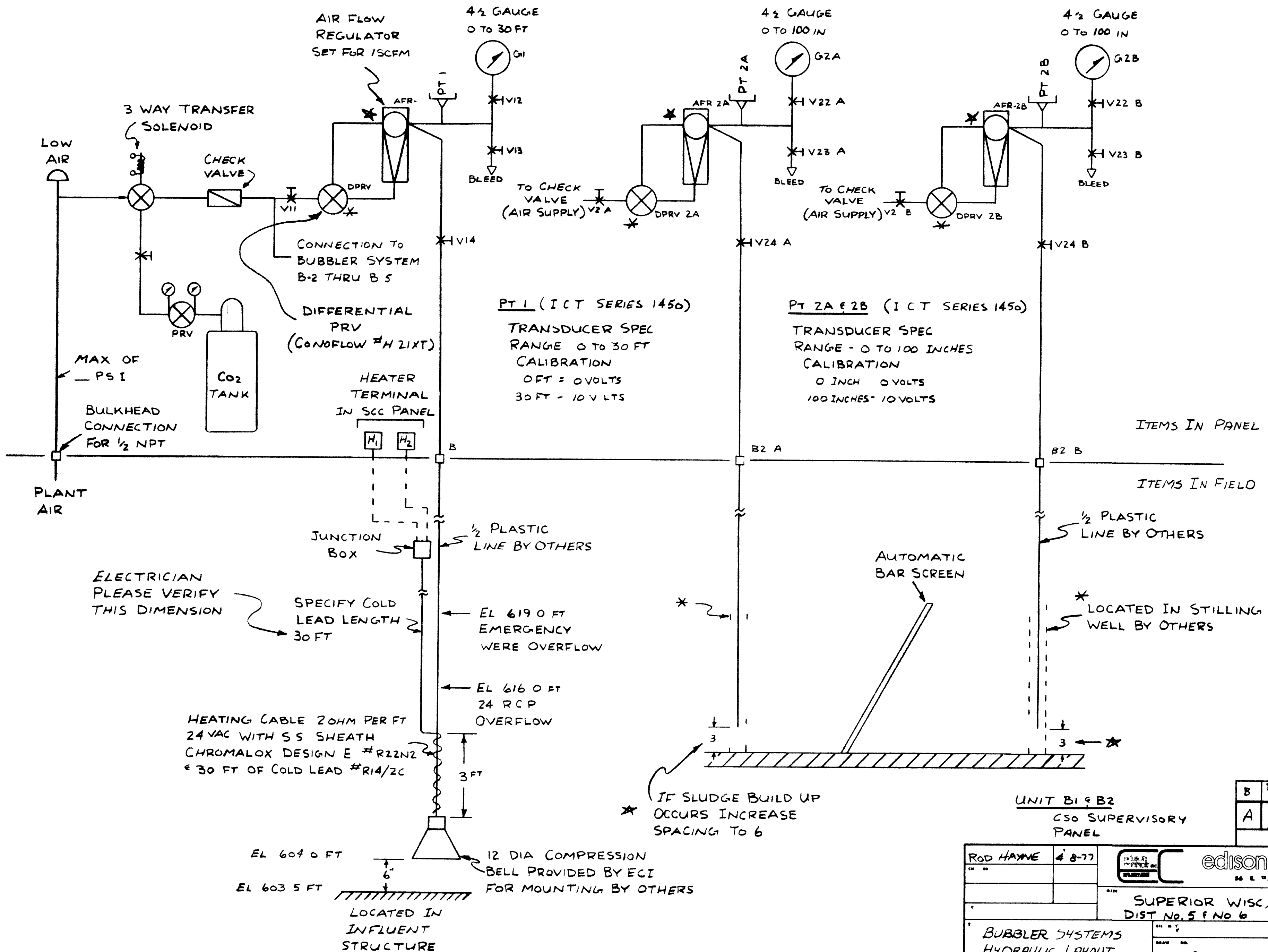
DESIGNED BY BOB HAYNE	DATE 2/10/77		edison controls inc <small>3042 E. 7th AVE. NORTH ST. PAUL, MINN.</small>
CHECKED BY	DATE		
PROJECT NO.	DATE	PRODUCT NAME SUPERIOR WISC	PROJECT NO. 1135
PLANT SYSTEM HYDRAULIC LAYOUT		SHEET NO. OF DRAWING NO.	1135-023

OVERFLOW POND LEVEL
BUBBLER SYSTEM B 1

BAR SCREEN BUBBLER SYSTEM B 2

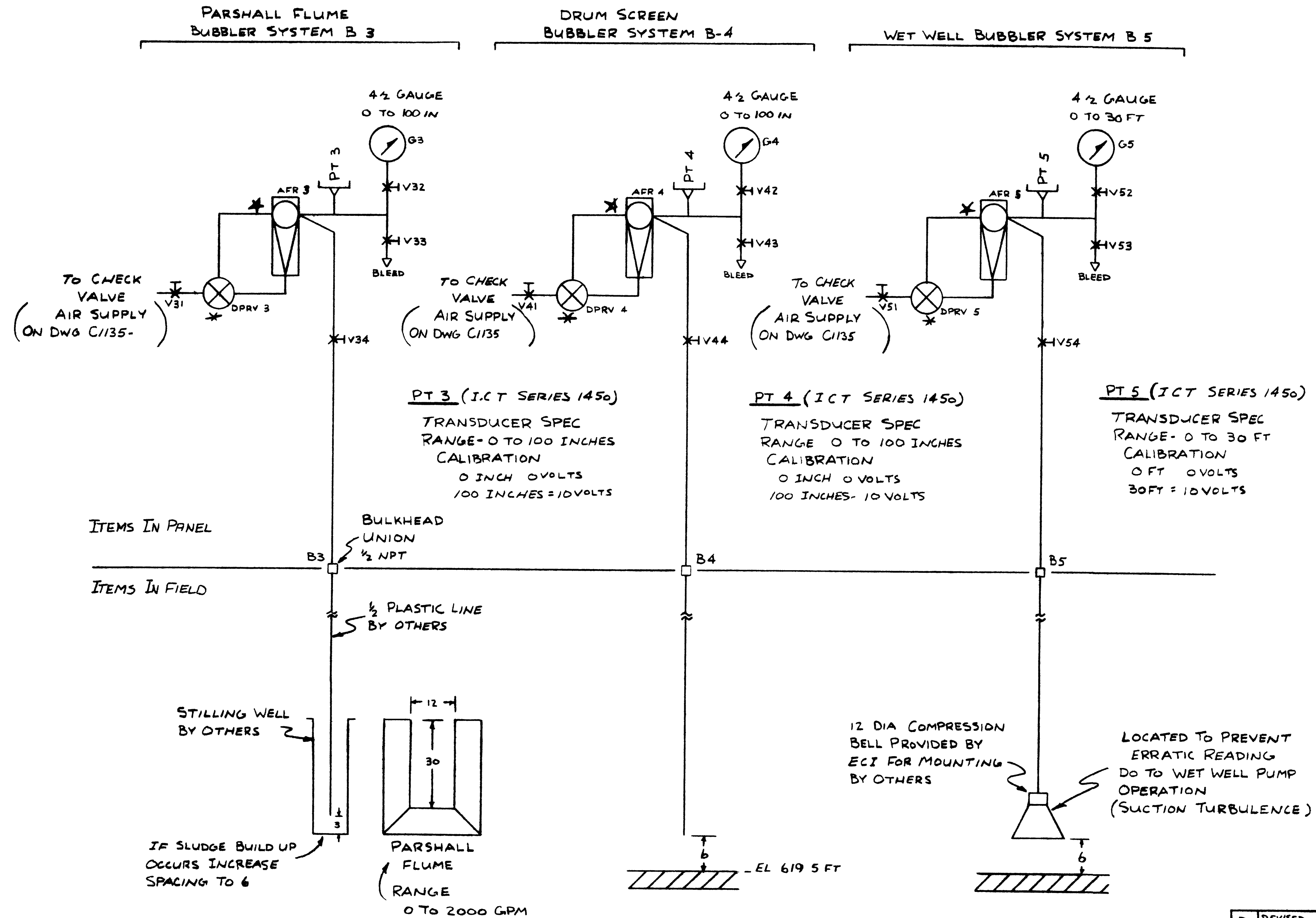
UPSTREAM
(SYSTEM 2 A)

DOWNSTREAM
(SYSTEM 2 B)



B	REV ED 45 BU L7	4 12-78
A	REVISED APPROVAL	11/21 77

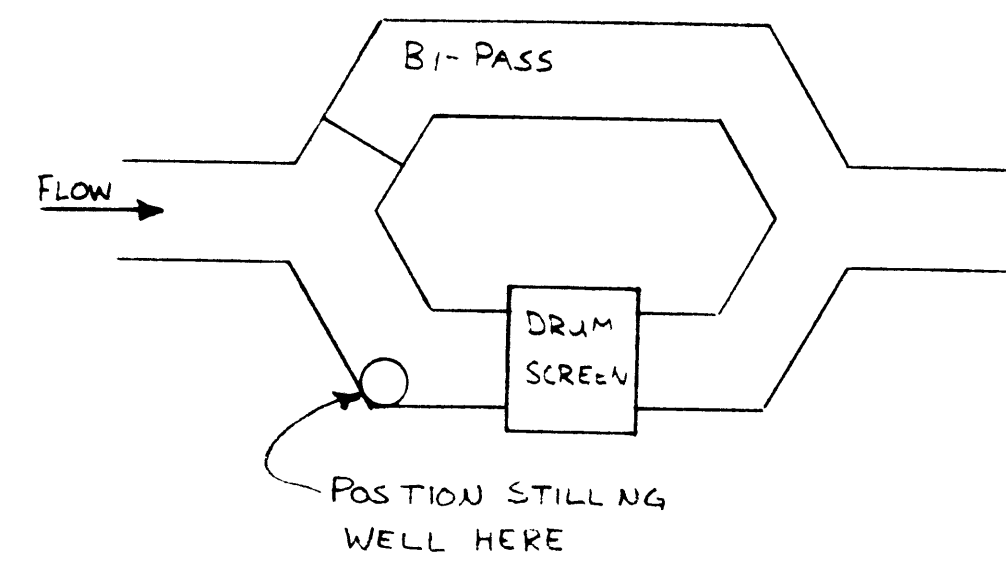
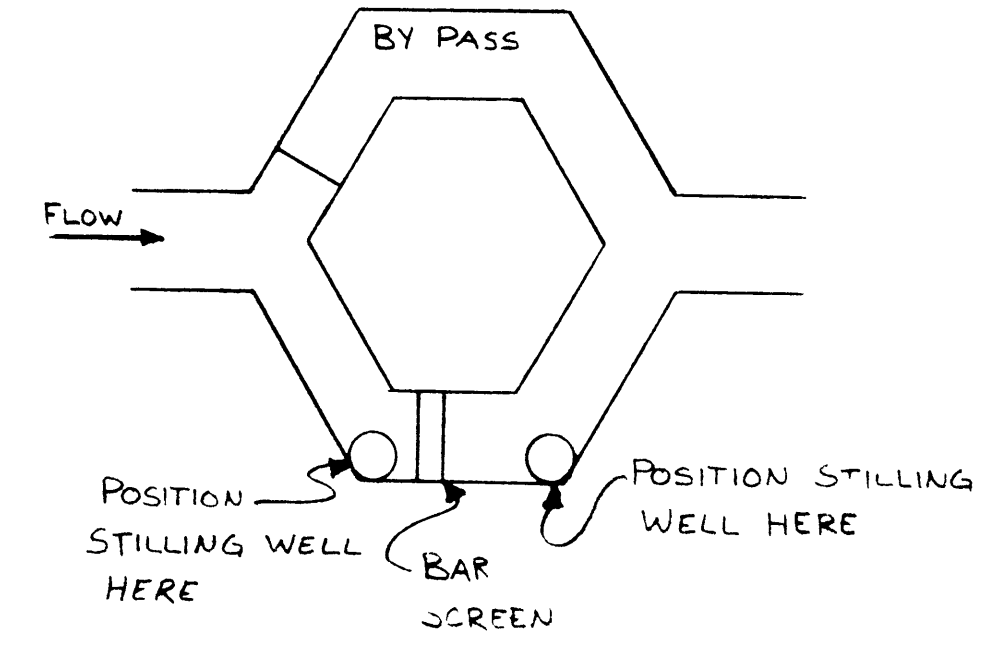
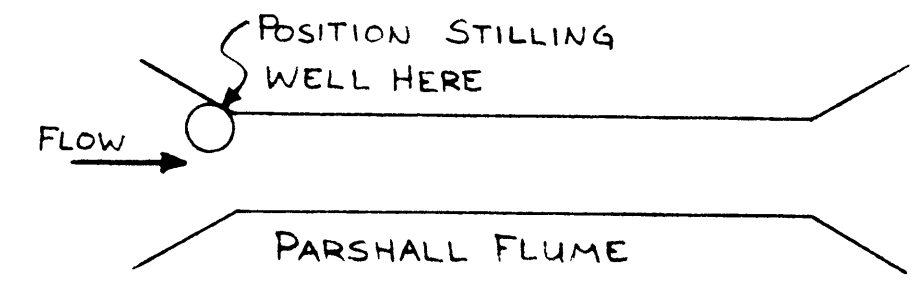
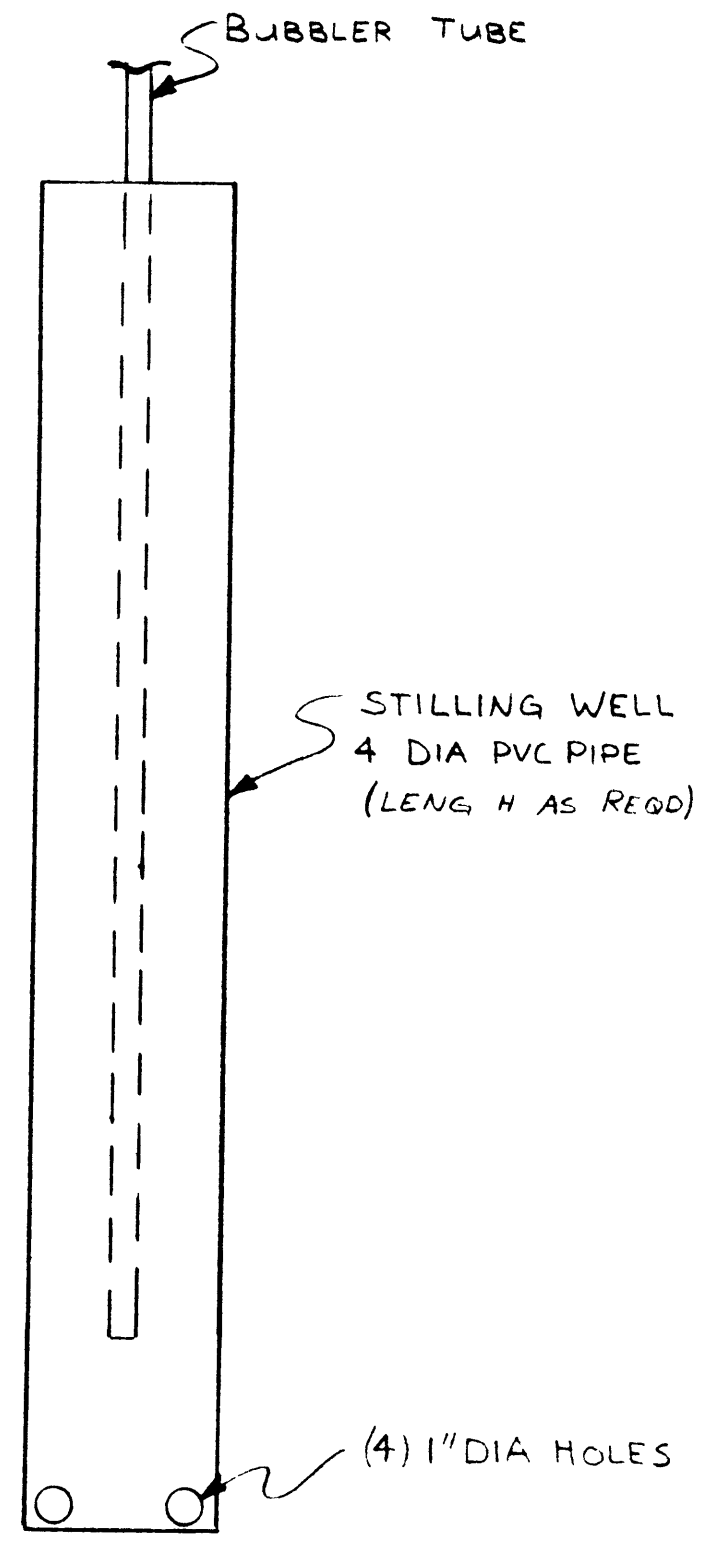
ROD HAYNE	4 8-77	 edison controls inc 36 E WAY NOR H T PAUL MINN
SUPERIOR WISC, DIST NO. 5 & NO 6		1135
BUBBLER SYSTEMS HYDRAULIC LAYOUT		C1135-024



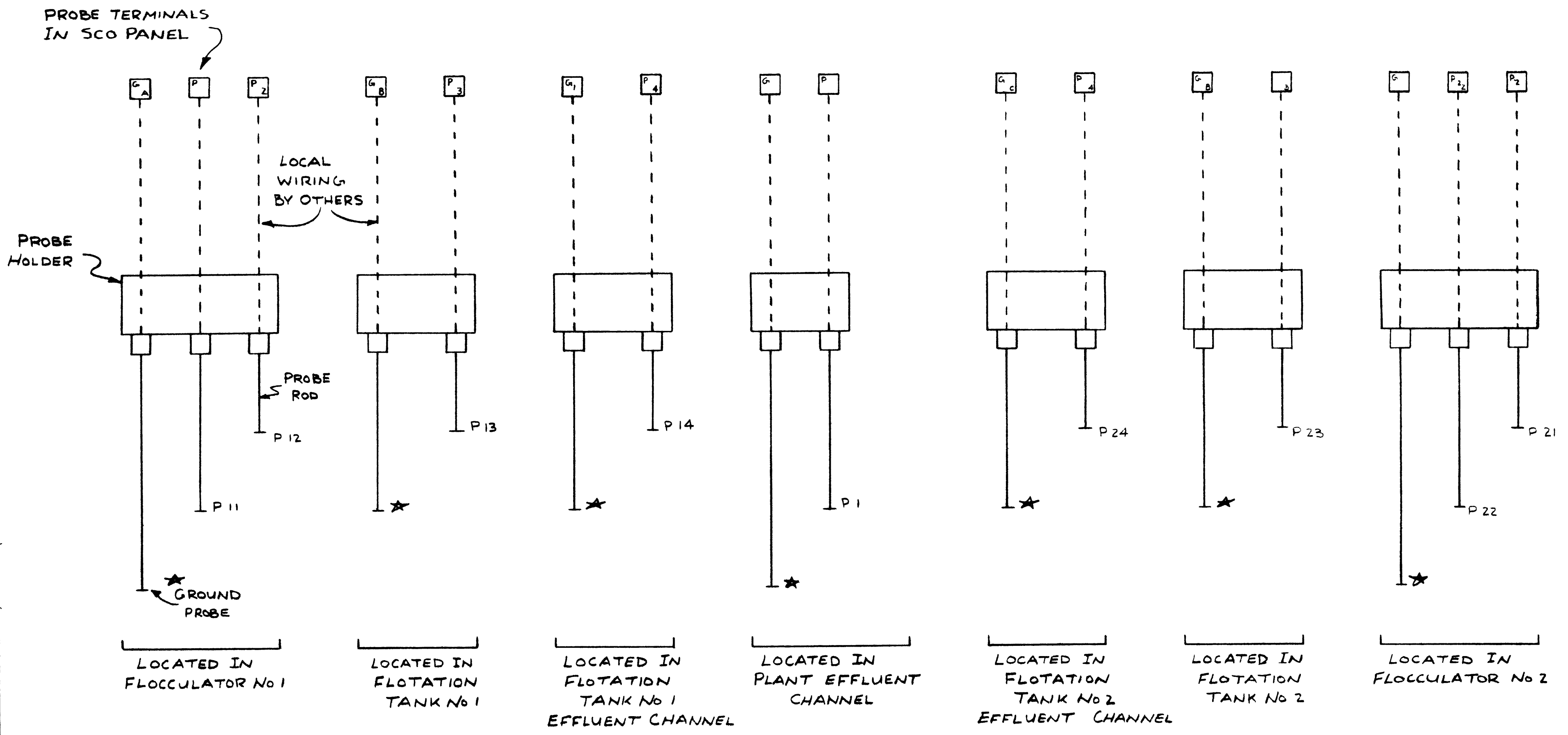
UNIT B1 & B2
CSO SUPERVISORY
PANEL

B	REVISED AS BUILT	4-12-78
A	REVISED FOR APPROVAL	11/21/77

DESIGNED BY ROD HAYNE	DATE 4-8-77	<p>edison controls inc 2842 E. 7th AVE. NORTH ST. PAUL, MINN.</p>
APPROVED BY	DATE	
PROJECT NO. SUPERIOR WISK DIST No 5 & No 6		PROJECT NO. 1135
TITLE HYDRAULIC LAYOUT		DATE 11/35
DRAWING NO. C/135-025		SCALE



DRAWN		BY		DATE		EDISON CONTROLS INC		2542 E. 7 TH AVE NORTH T. PAUL FLORIDA	
W SEMPF		8-14-78				edison controls inc			
CHECKED		BY		DATE		SUPERIOR WISC		1135	
						PROJECT NO.		1135	
STILLING WELL DETAIL						DRAWING NO.		C1135-0251	
						REV		0	



- NOTES
- 1) PROBE HOUSING PROVIDED BY ECI FOR MOUNTING & WIRING BY OTHERS
(FIVE) 2 PROBE HOLDER # 3E2B
(TWO) 3 PROBE HOLDER # 3E3B
 - 2) PROBE RODS ARE SS WITH PVC COATING
 - 3) LOCATE PROBE RODS TO PREVENT ANY FALSE READINGS DO TO WATER TURBULANCE
 - 4) ELECTRICAL CONTRACTOR TO CUT PROBE RODS TO LENGTHS AS DIRECTED BY ENGINEER

UNIT B1 & B2
CSO SUPERVISORY
PANEL

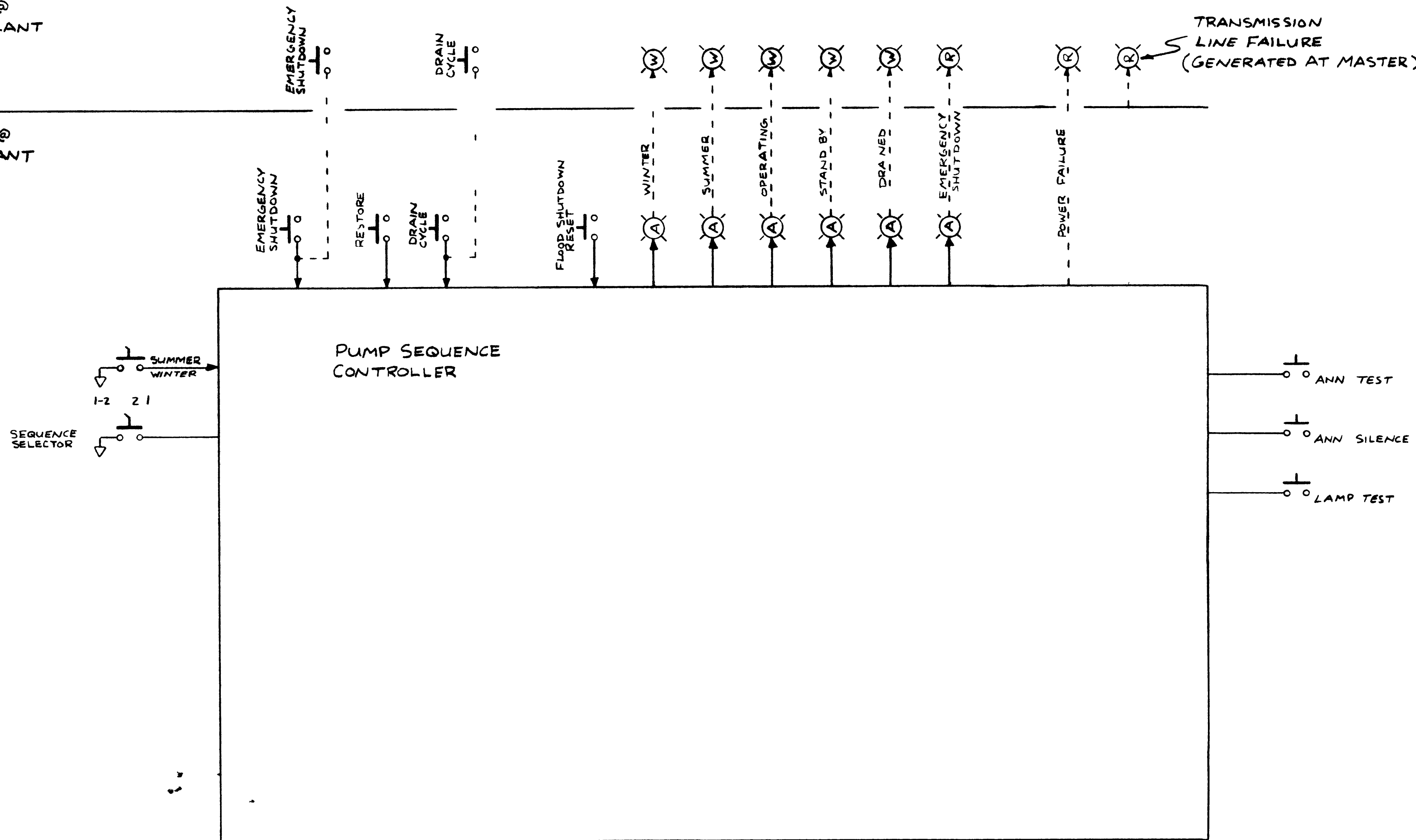
A	REVISED FOR APPROVAL	1/21/77
REVISIONS		

DRAWN Rob HAYNE	DATE 4 28 77	 edison controls inc 2362 7th AVE NORTH ST PAUL, MINN.	PROJECT NO. 1135
APPROVED BY	DATE		SUPERIOR WISC DIST No 5 & No 6
TITLE PROBE SYSTEM WIRING		SCALE 1" = 6"	DIST NO. C1135-026

PANEL @
MAIN PLANT

PANEL @
CSO PLANT

TRANSMISSION
LINE FAILURE
(GENERATED AT MASTER)



DRAWING C1135-027 THRU-039
ARE NOT TO BE USED FOR WIRING
EQUIPMENT

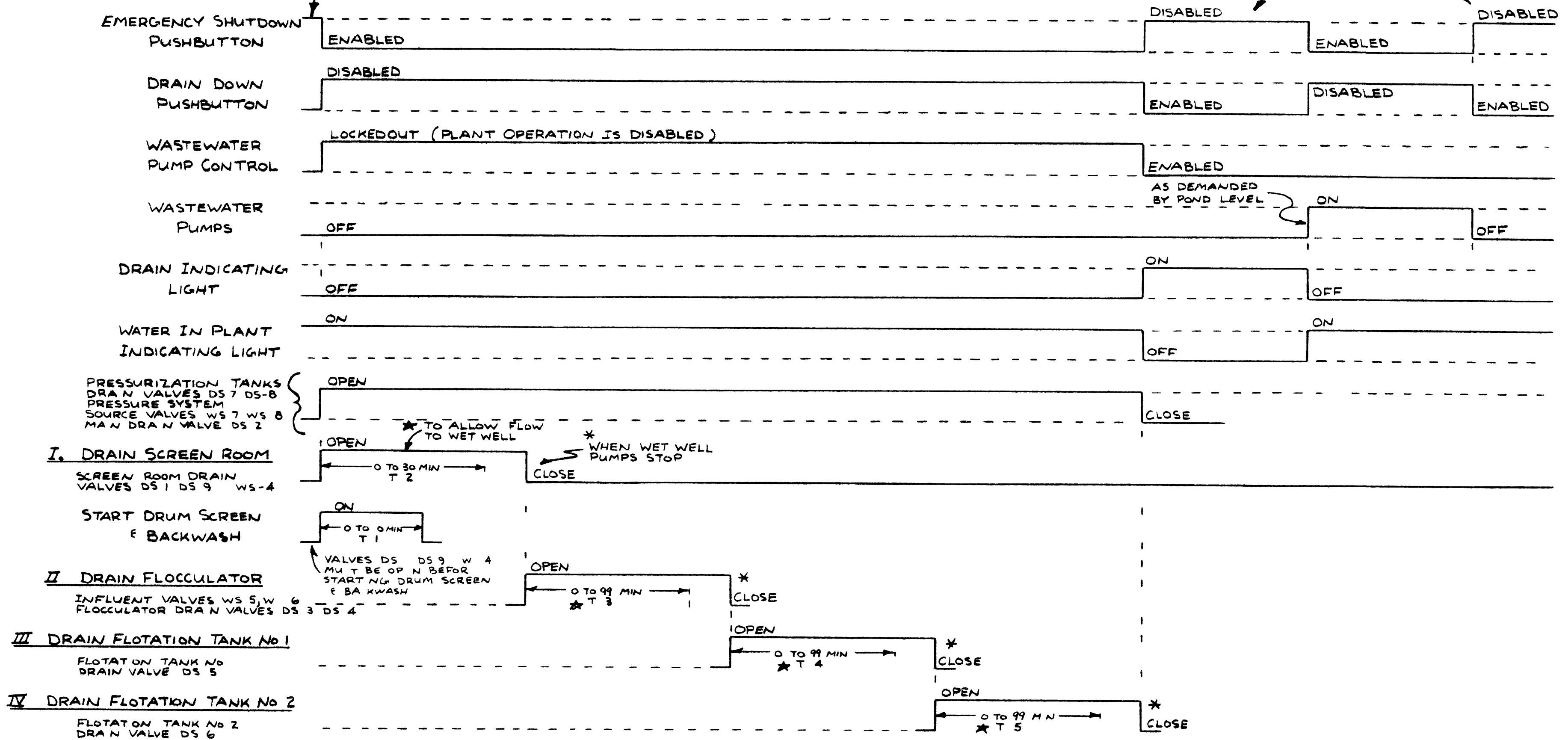
UNIT B1 & B2
CSO SUPERVISORY
PANEL

A	REVISED FOR APPROVAL	11/21/77
VISION		

BY R D HAYNE	DATE 4 11 77	 562 E. WAVE NORTH T PAUL MICHIGAN	SUPERIOR WISC DIST No 5 & No 6	1135
SYSTEM CONTROL FLOW DIAGRAM				
C1135 027		A		

ACTIVATION OF DRAIN DOWN CYCLE BY EITHER
 a OPERATING DRAIN-DOWN PUSHBUTTON @ THE CSO PANEL
 b OPERATING DRAIN DOWN PUSHBUTTON @ THE MAIN PANEL
 c OPERATING THE SUMMER WINTER SELECTOR FROM
 SUMMER TO WINTER @ THE CSO PANEL (IF REQUIRED DRAIN LIGHT ON)

PLANT IN
 STAND-BY
 CONDITION

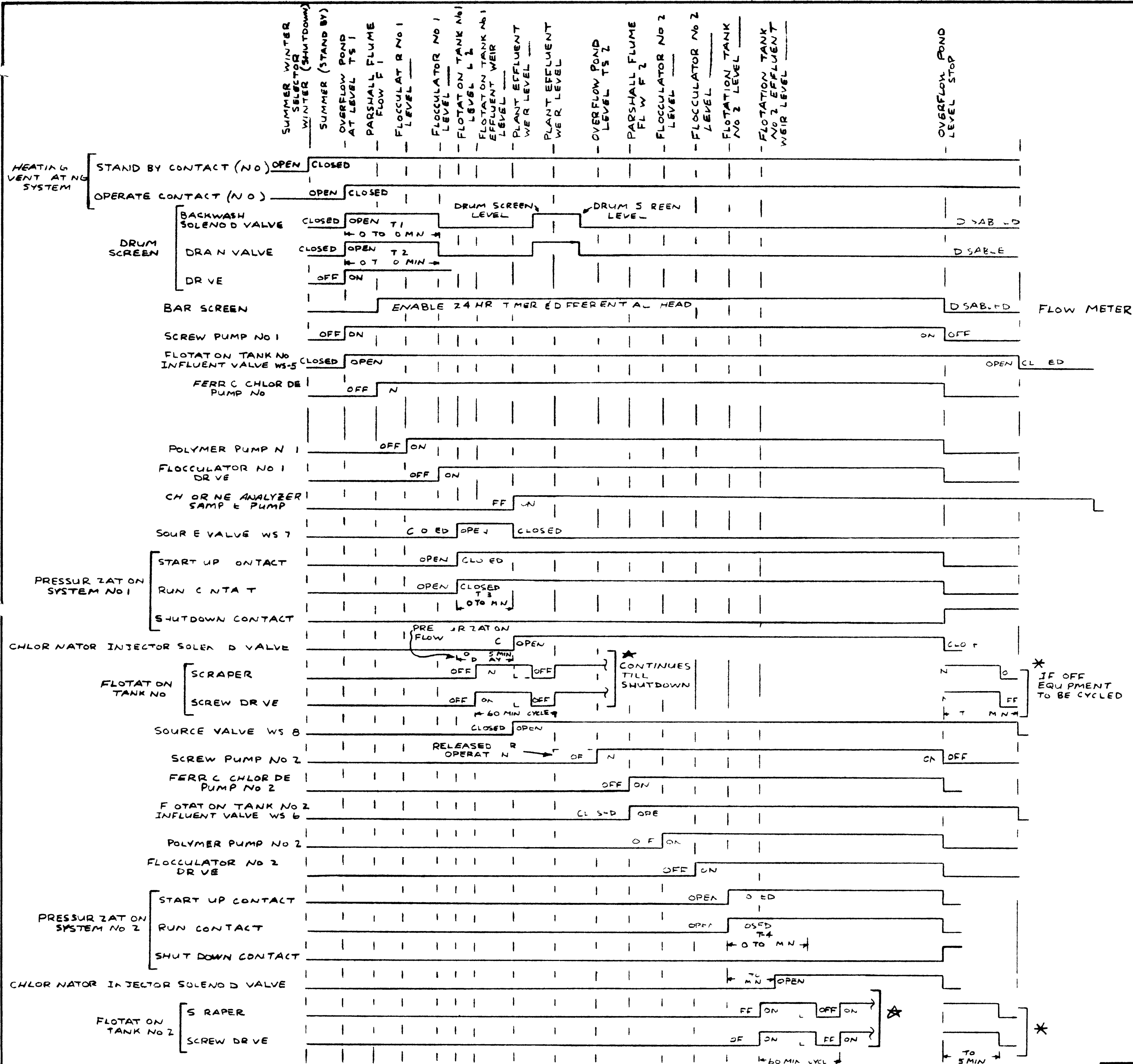


NOTE
 SHOULD THE EMERGENCY SHUTDOWN
 PUSHBUTTON BE OPERATED @ THE MAIN
 PANEL OR CSO PANEL DURING A DRAIN-DOWN
 CYCLE, ALL VALVES WILL BE CLOSED & ALL
 EQUIPMENT SHUTDOWN

UNIT B1 & B2
 CSO SUPERVISORY
 PANEL

A REVISED FOR APPROVAL 11-21-77
 DEVISION

DESIGN RBD HAYNE	DATE 2 10 77	 edison controls inc 2802 E. 7th AVE NORTH ST PAUL, MINN.	PROJECT AREA SUPERIOR, WISC	DRAWING NO. 1135
APPROVED BY	DATE			
DRAIN CYCLE TIMING CHART		DRAWING NO. C1135-028	SHEET NO. A	



UNIT B1 & B2
CSO SUPERVISORY
PANEL

A	REVISED	11-28-78
V SIGN		

BY ROD HAYNE	DATE 4-29-77	edison controls inc 2602 E. WAVE NORTH T. PAUL, MINN.
SUPERIOR WISC DIST No 5 & No 6		1135
OPERATING CYCLE SEQ CHART		C1135-029

PANEL @ MAIN PLANT

PANEL @ CSO PLANT

POND LEVEL
0 To 30.0 FT

PROVIDED BY WALDOR PUMP FOR MOUNTING & WIRING BY ECI

3 PEN RECORDER

BUBBLER HEATER ON

CR1

120/24 VAC

PLANT FLOW FROM DWG. C/135 032
RESIDUAL CLZ
POND LEVEL

POND LEVEL 0 To 30.0 FT

POND OVERFLOW ALARM

POND L W LEVEL ALARM & LOCKOUT

LOCKOUT FROM DRUM SCREEN FLOOD LEVEL (MANUAL RESET)

MOTOR CONTROL CENTER

PUMP No 3 (SUBMERSIBLE)

LIMIT SWITCH ON CHECK VALVE

SCREW PUMP CONTROL

PUMP No 1 (SCREW PUMP)

PUMP No 2 (SCREW PUMP)

POND INFLUENT

HEATER

PUMP No 1
PUMP No 2
PUMP No 3

FLOW TO PLANT


FLOW TO WET WELL

OVERFLOW POND

SENSING LINE

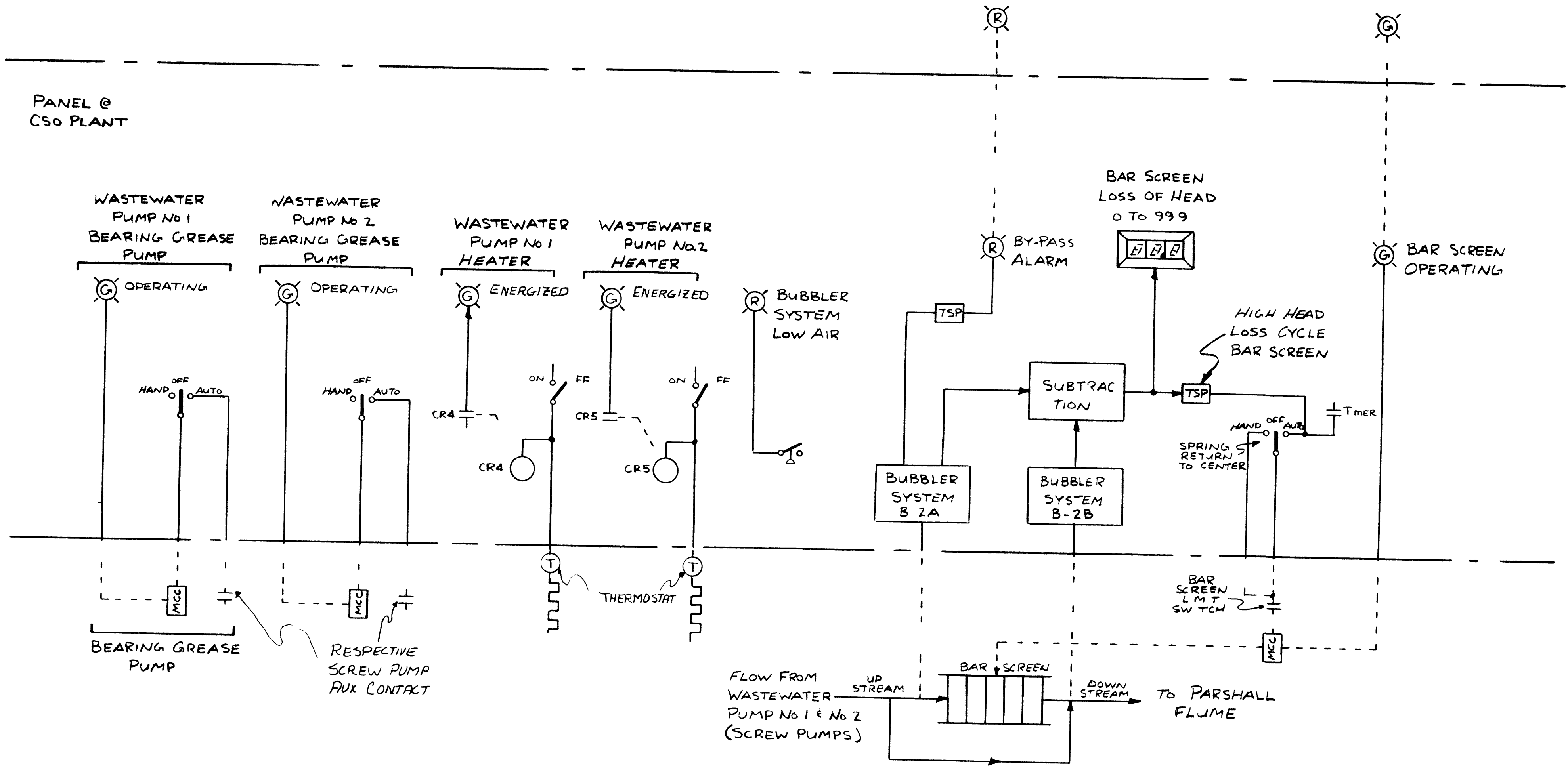
UNIT B1 & B2
CSO SUPERVISORY
PANEL

REVISIONS		
B	REVISED	3-8-78
A	REVISED FOR APPROVAL	11-21-77

DRAWN RD. HANF	DATE 4-11-77	 edison controls inc. 3862 E. 7th AVE. NORTH ST. PAUL, MINN.
APPROVED BY	DATE	
SCALE	PROJECT NO.	SUPERIOR WISC DIST No. 5 & No. 6 1135
TITLE SYSTEM CONTROL FLOW DIAGRAM	DRAWING NO. C/135-030	SHEET NO. OF SHEETS 11

PANEL @
MAIN PLANT

PANEL @
CSO PLANT



UNIT B1 & B2
CSO SUPERVISORY
PANEL

A	REVISED FOR APPROVAL	11-21-77
EV SIGN		

ROD HAYNE	4 12 77	 edison controls inc 26 E. WAY NORTH T PAUL MINN.	SUPERIOR WISC DIST No 5 & No 6 1/35
SYSTEM CONTROL FLOW DIAGRAM			

PANEL @
MAIN PLANT

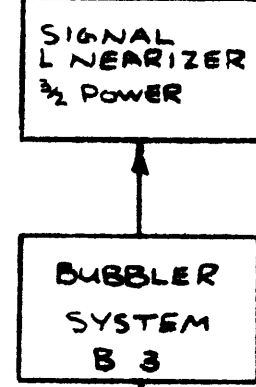
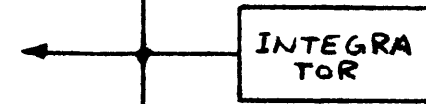
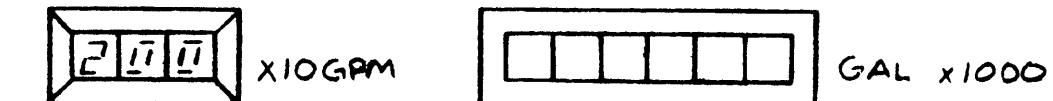
PANEL @
CSO PLANT

PLANT FLOW
0 TO 2000 GPM

PLANT TOTAL FLOW

FLOW SIGNAL
TO SAMPLER
PUMP ON DWG
C1135-

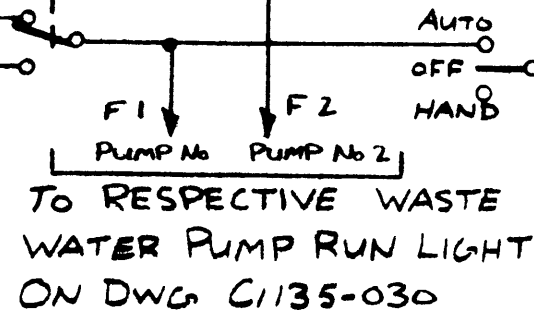
PLANT FLOW
SIGNAL TO
RECORDER ON
DWG C1135 030



FLOW FL 2

FLOW FL 1

SYSTEM LOAD
SELECTOR SWITCH



CALLLED

FAILURE

RUN

CALLLED

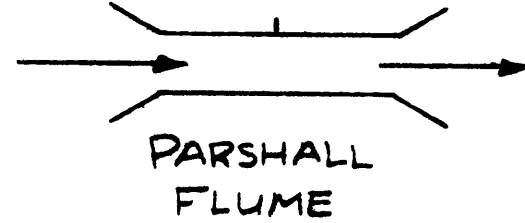
FAILURE

RUN

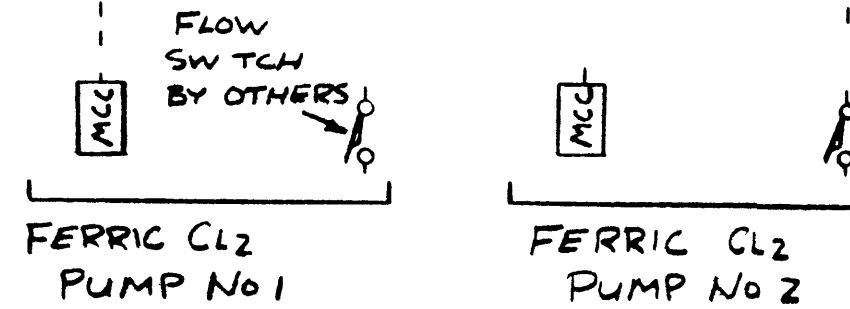
FERRIC CL2
STORAGE TANK
LOW LEVEL

FERRIC CL2
SYSTEM COMMON
ALARM

FLOW FROM
BARSCREEN



PLANT INFLUENT
FLOW



CONDUCTIVITY PROBE
TO DETECT FERRIC CL2
STORAGE TANK LOW
LEVEL PROVIDED BY
OTHERS

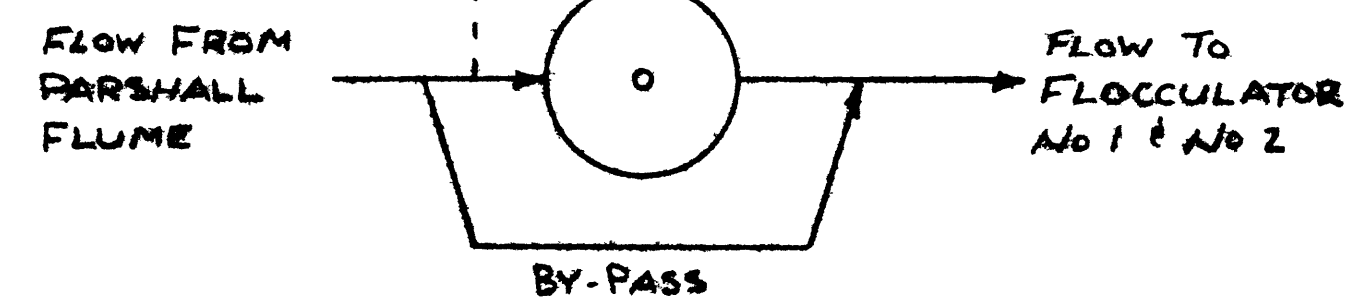
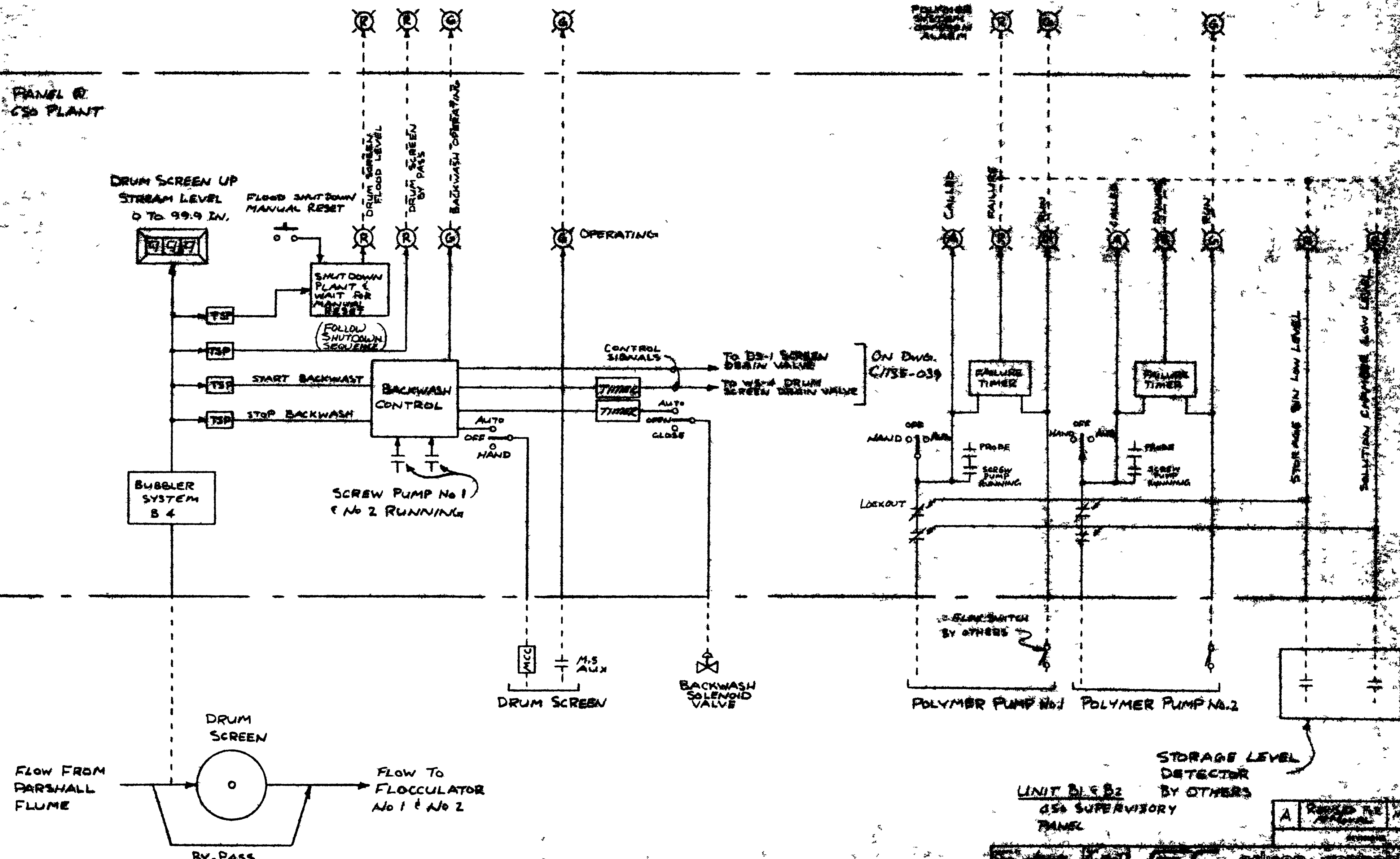
UNIT B1 & B2
CSO SUPERVISORY
PANEL

A REVISED FOR APPROVAL 11/21-77

DRAWN BY ROD HAYNE 11-13-77		2802 7TH AV NORTH PEARL RIVER, MISSOURI 63073
CHECKED BY DATE	SUPERIOR WISC DIST No 5 & No 6	1135
SYSTEM CONTROL FLOW DIAGRAM		DRAWING NO. C1135-032

PANEL 5
MAIN PLANT

PANEL 6
CSD PLANT

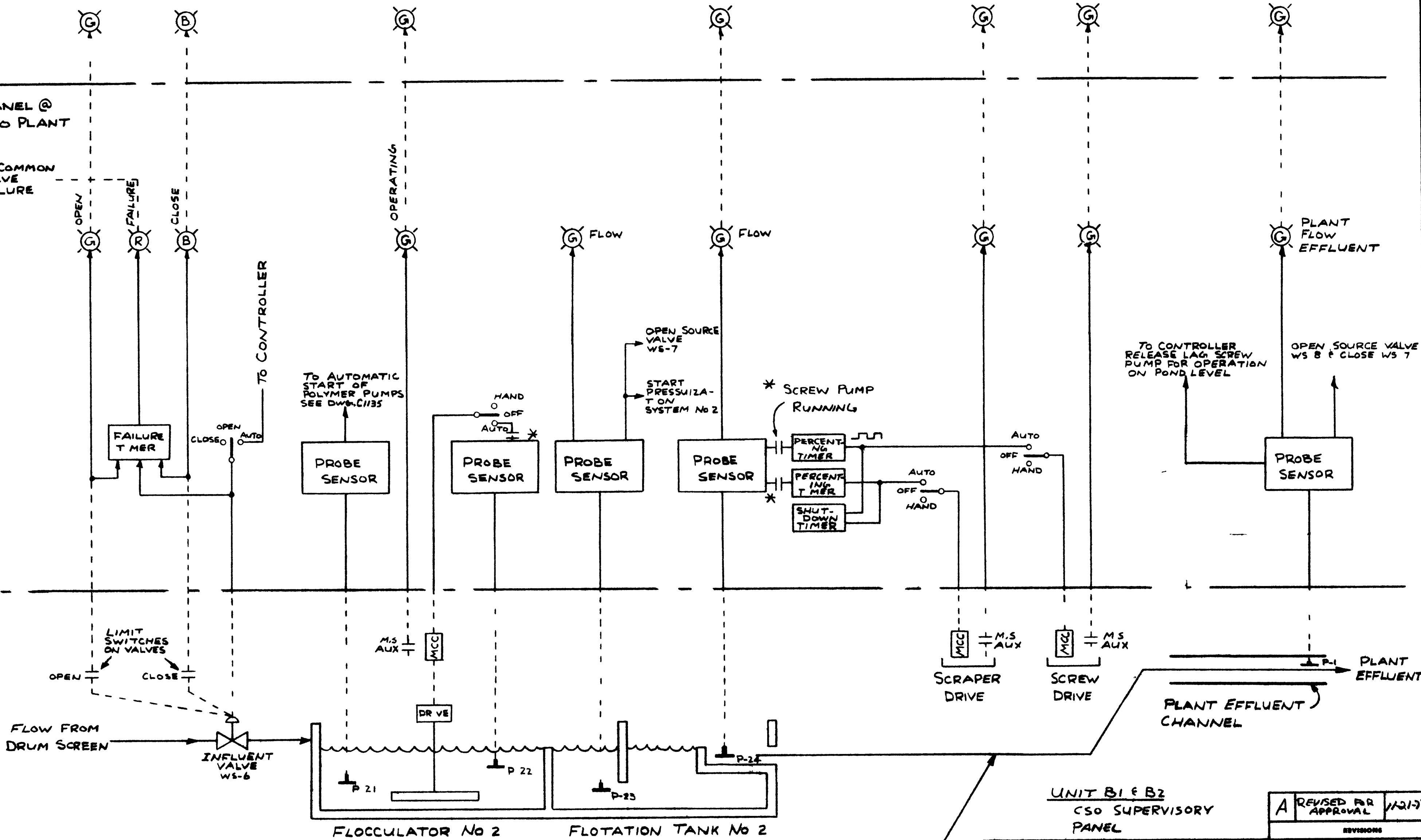


POLYMER PUMP No 1		POLYMER PUMP No 2	
STORAGE LEVEL DETECTOR BY OTHERS			
UNIT BLS B2 454 SUPERVISORY PANEL			
SYSTEM CONTROL FLOW DIAGRAM		C/135-039	

PANEL @
MAIN PLANT

PANEL @
CSO PLANT

TO COMMON
VALVE
FAILURE



UNIT B1 & B2
CSO SUPERVISORY
PANEL

A	REVISED FOR APPROVAL	1/21-77
REVISIONS		

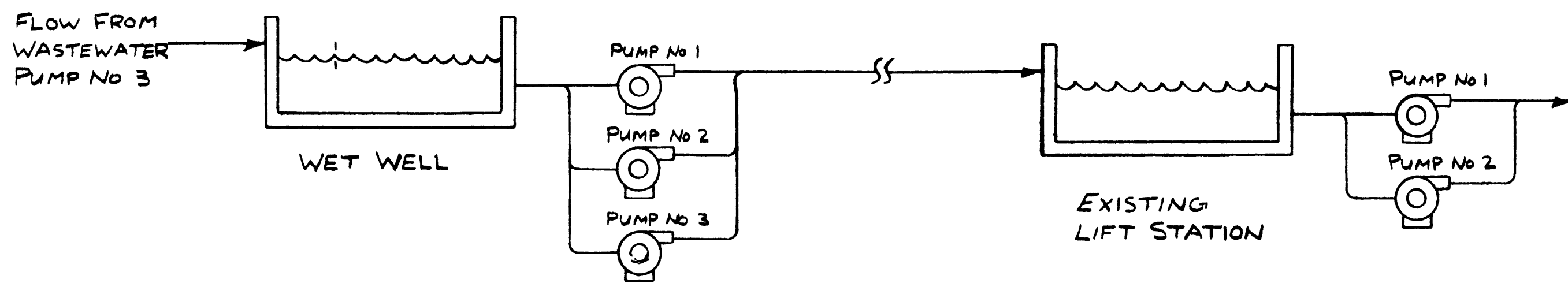
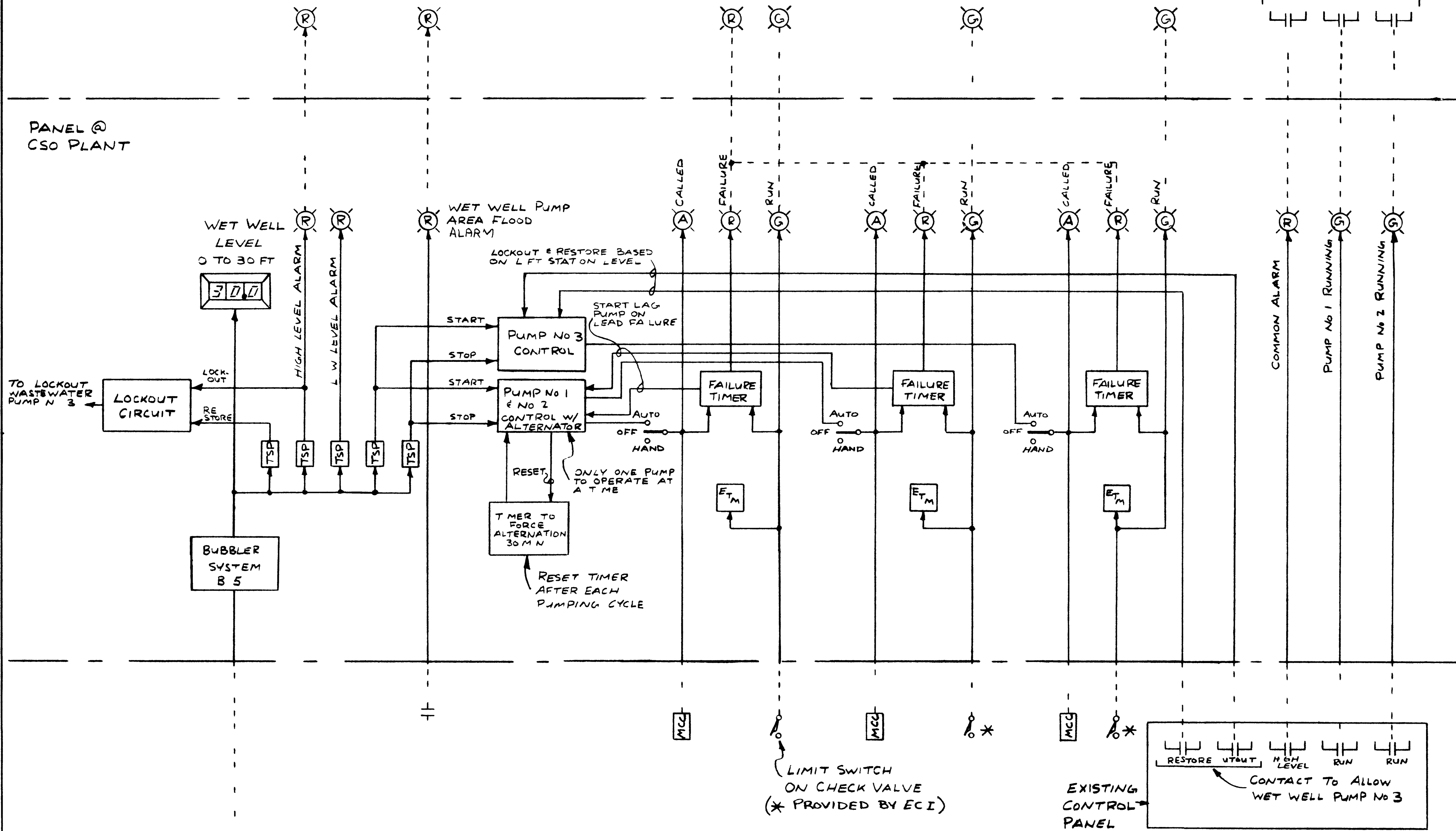
FROM FLOCCULATOR
No 1 & FLOTATION
TANK No 1

DESIGNED BY BO HAYNE	DATE 1/11/77		edison controls inc <small>2802 E. 7th AVE. NORTH ST. PAUL, MINN.</small>	
APPROVED BY	DATE		PROJECT NAME SUPERIOR, WISC DIST No. 5 & No 6	PAGE NO. 1/35
SYSTEM CONTROL FLOW DIAGRAM			DRAWING NO. C/1135-035	SHEET NO. A

PANEL @
MAIN PLANT

TO EXISTING ALARM
PANEL BY OTHERS

PANEL @
CSO PLANT



UNIT B1 & B2
CSO SUPERVISORY
PANEL

B	REVISED	3-8-78
A	REVISED FOR APPROVAL	11-21-77
REVISIONS		

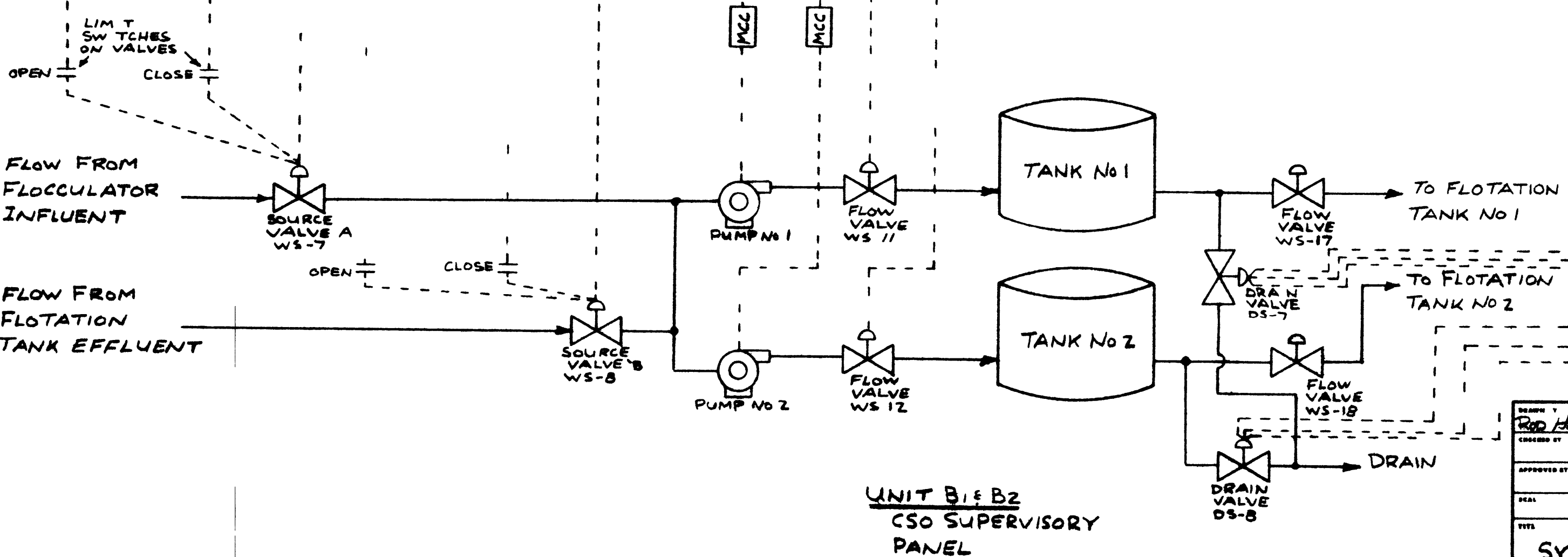
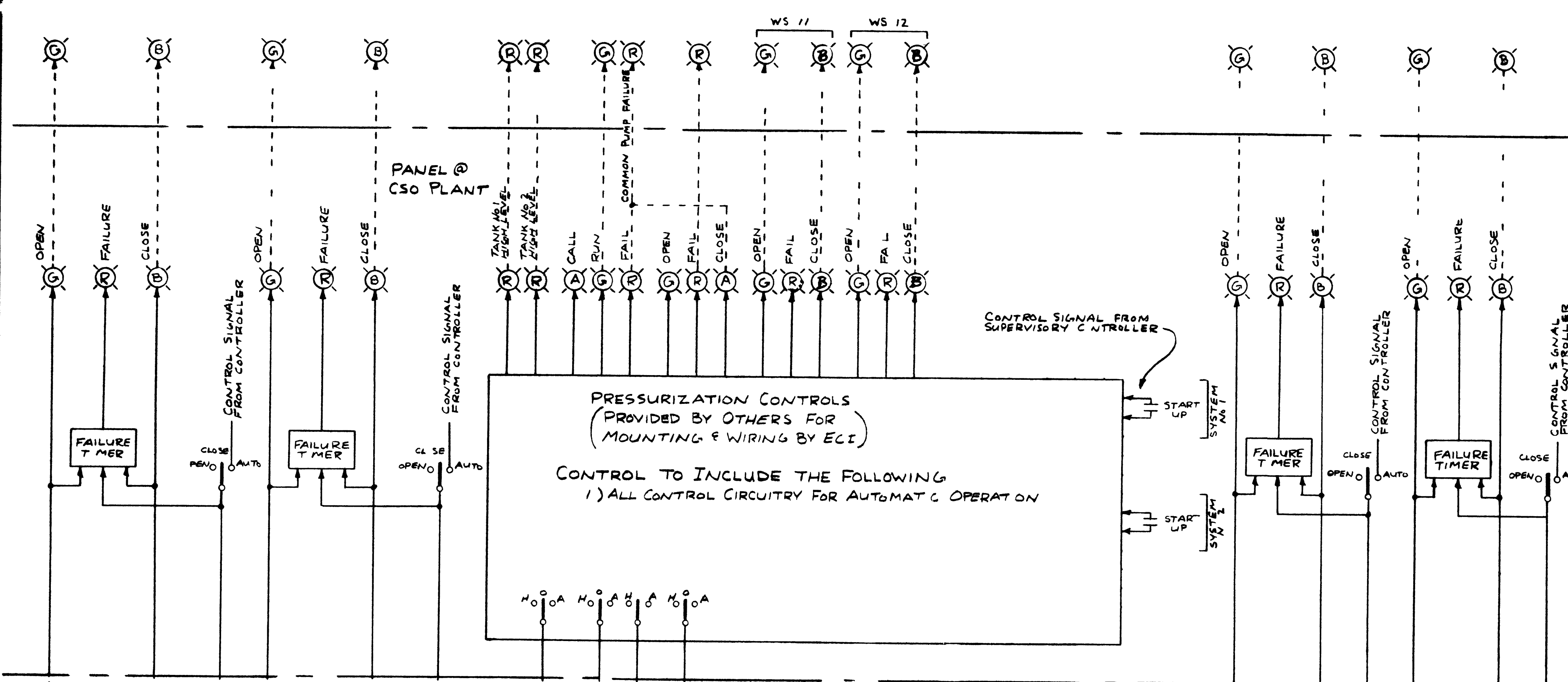
DRAWN BY P. D. HAYNE DATE 4-14-77	edison controls inc 2662 E. 7th AV NORTH S. PAUL, MINN.	PROJECT NO. SUPERIOR, WISC DIST. No 5 # No 6 1135
SYSTEM CONTROL FLOW DIAGRAM		DRAWING NO. C/135-036

PANEL @
MAIN PLANT

PANEL @
CSO PLANT

PRESSURIZATION CONTROLS
(PROVIDED BY OTHERS FOR
MOUNTING & WIRING BY ECI)

CONTROL TO INCLUDE THE FOLLOWING
1) ALL CONTROL CIRCUITRY FOR AUTOMATIC OPERATION

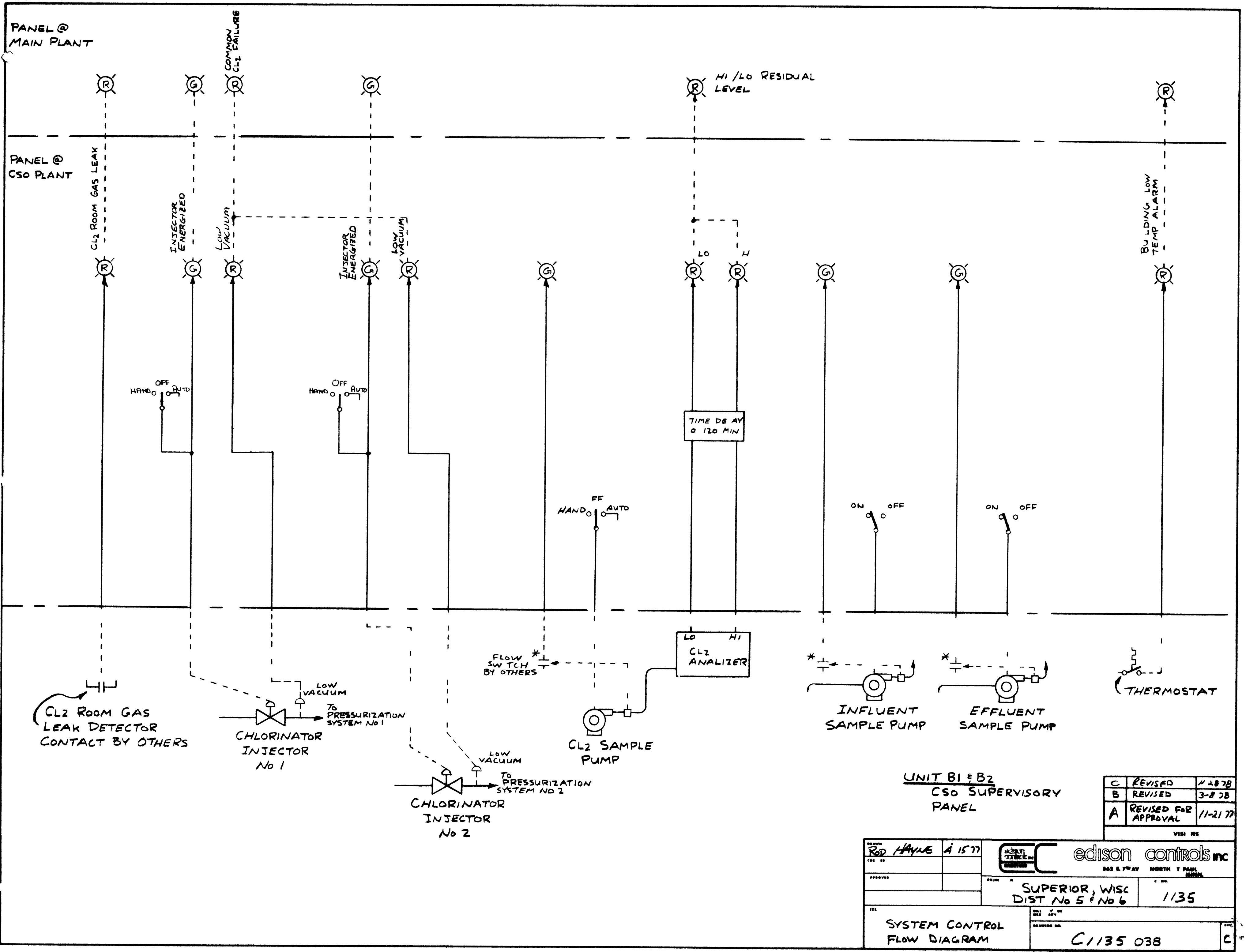


UNIT B1 & B2
CSO SUPERVISORY
PANEL

A REVISED FOR APPROVAL 11/21/77
REVISIONS

DESIGNED BY ROD HARVE	DATE 4 14 77	 2802 E. 7th AVE. NORTH ST. PAUL, MINN. edison controls inc	PROJECT NO. SUPERIOR, WISC DIST No 5 & No 6	DRAWING NO. 1135
APPROVED BY	DATE			
TITLE SYSTEM CONTROL FLOW DIAGRAM		NO. OF SHEETS 1	SHEET NO. 1	SCALE A

C/135-037



UNIT B1 & B2
CSO SUPERVISORY
PANEL

C	REVISED	11-28-78
B	REVISED	3-8-78
A	REVISED FOR APPROVAL	11-21-77
VISH ME		

DRAWN RED HAYNE A 1577 CHK BY	edison controls inc 542 E. 7th AV NORTH T PAUL, MINN.
PROJECT SUPERIOR, WISC DIST No 5 & No 6	1135
TITLE SYSTEM CONTROL FLOW DIAGRAM	DRAWING NO. C1135 038

PANEL B
MAIN PLANT

WATER SYSTEM
FAILURE ALARM

PLANT

SYSTEM

PANEL C
CSD PLANT

PLANT

TYPICAL CIRCUIT FOR
THE FOLLOWING ALARMS

- 1) BREAK TANK HIGH LEVEL
- 2) BREAK TANK LOW LEVEL
- 3) PLANT WATER PUMP FAILURE ALARM
- 4) PLANT WATER PUMP FAILURE ALARM
- 5) PLANT WATER PUMP FAILURE ALARM
- 6) PLANT WATER PUMP FAILURE ALARM
- 7) PLANT WATER PUMP FAILURE ALARM
- 8) PLANT WATER PUMP FAILURE ALARM

BREAK TANK HIGH LEVEL

BREAK TANK LOW LEVEL

PLANT WATER PUMP FAILURE ALARM

COMBINATION ALARM CELL

PLANT WATER PUMP FAILURE ALARM

PLANT WATER PUMP FAILURE ALARM

PLANT WATER PUMP FAILURE ALARM

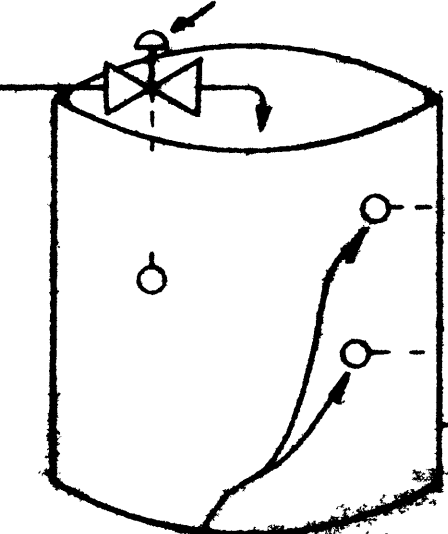
PLANT WATER PUMP FAILURE ALARM

PLANT WATER PUMP FAILURE ALARM

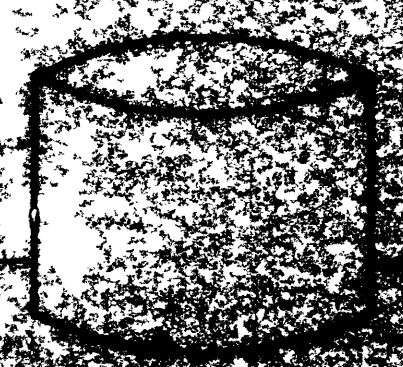
CONTROL SYSTEM BY OTHERS

LOW ON CONTACT BY OTHERS

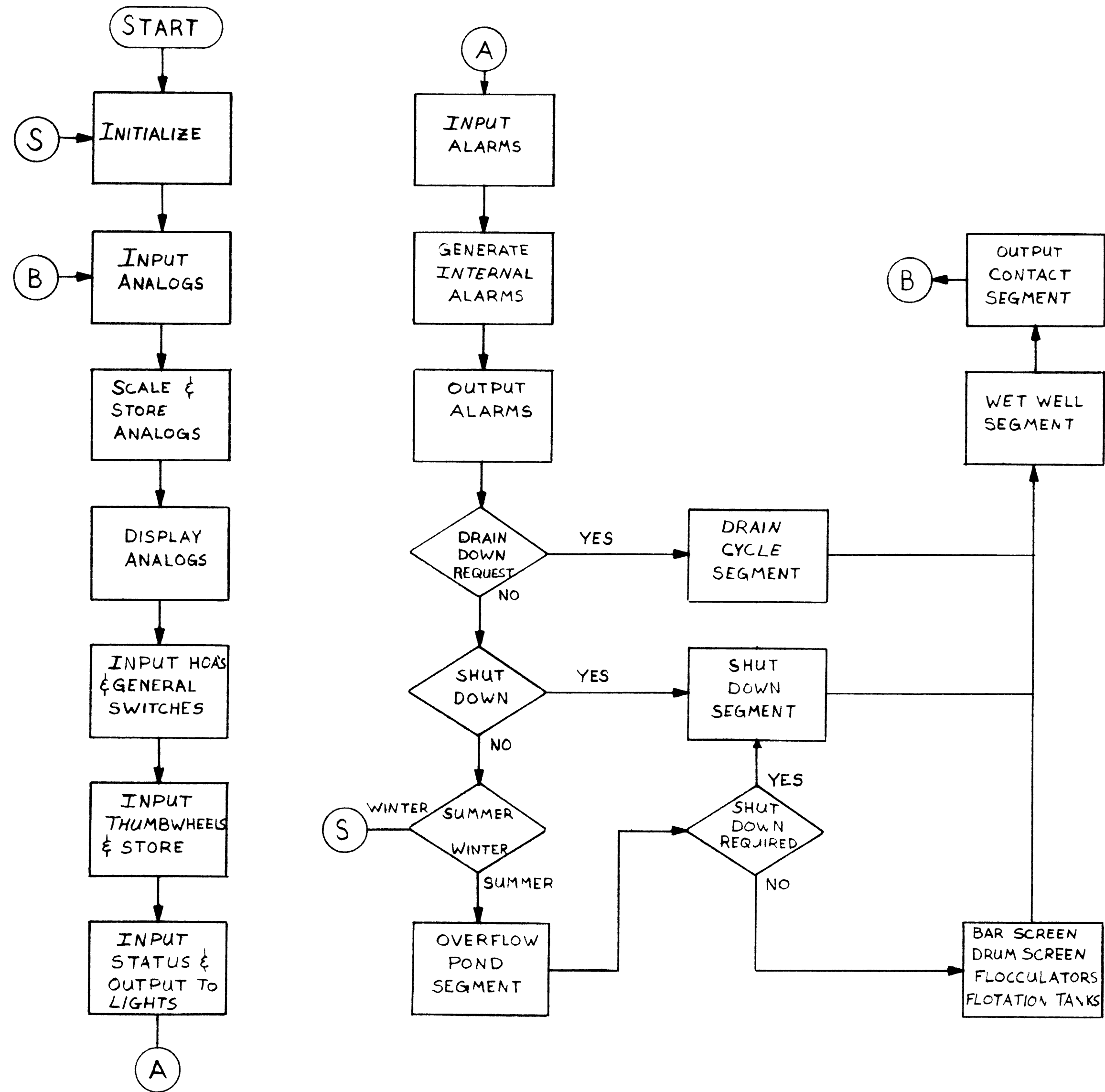
FLOAT OPERATOR VALVE



FLOAT SWITCHES PROVIDED BY WALDOR PUMP

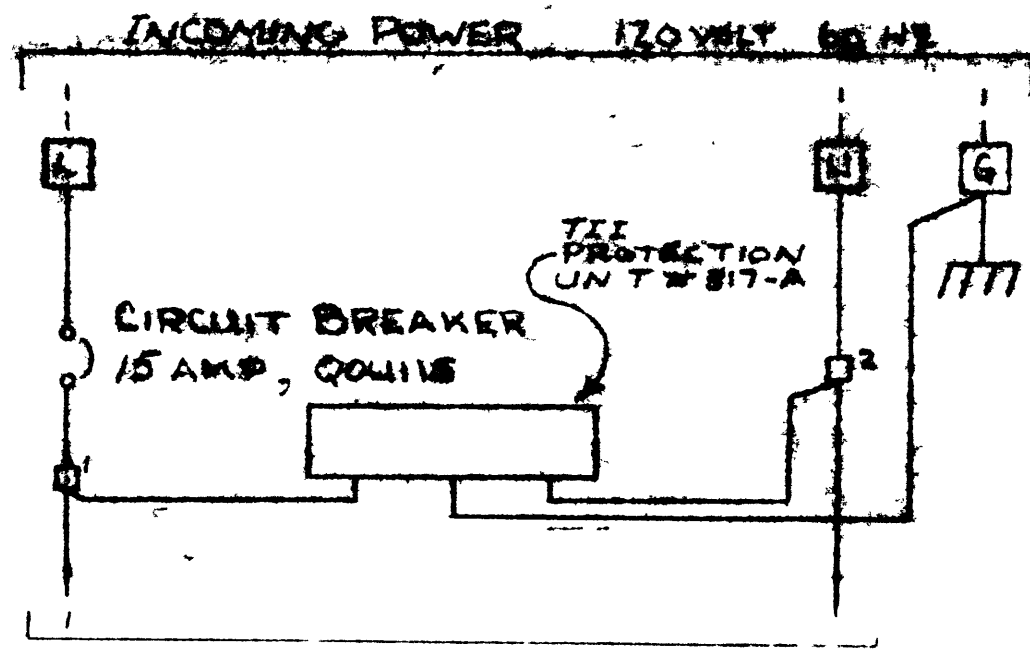


SYSTEM FAILURE

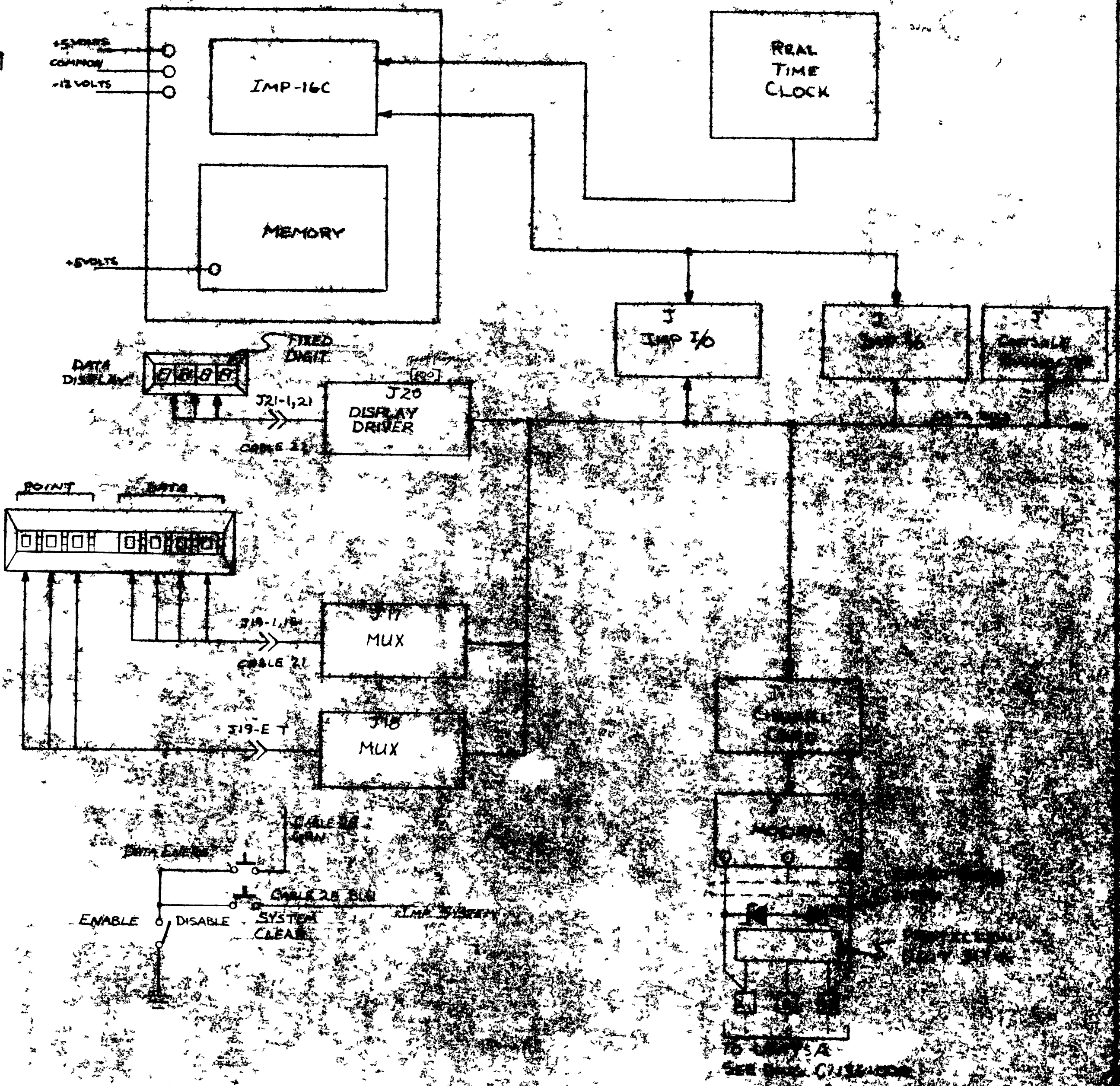


UNIT B1 & B2
 CSO SUPERVISORY
 PANEL

DRAWN		BY		DATE		REVISIONS	
W	SEMPF	3/2/8					
CHECKED BY		DATE		PROJECT NO.		JOB NO.	
				SUPERIOR, WISC		1135	
REMOTE FLOW CHART				DRAWING NO.		C/1135-039 1	

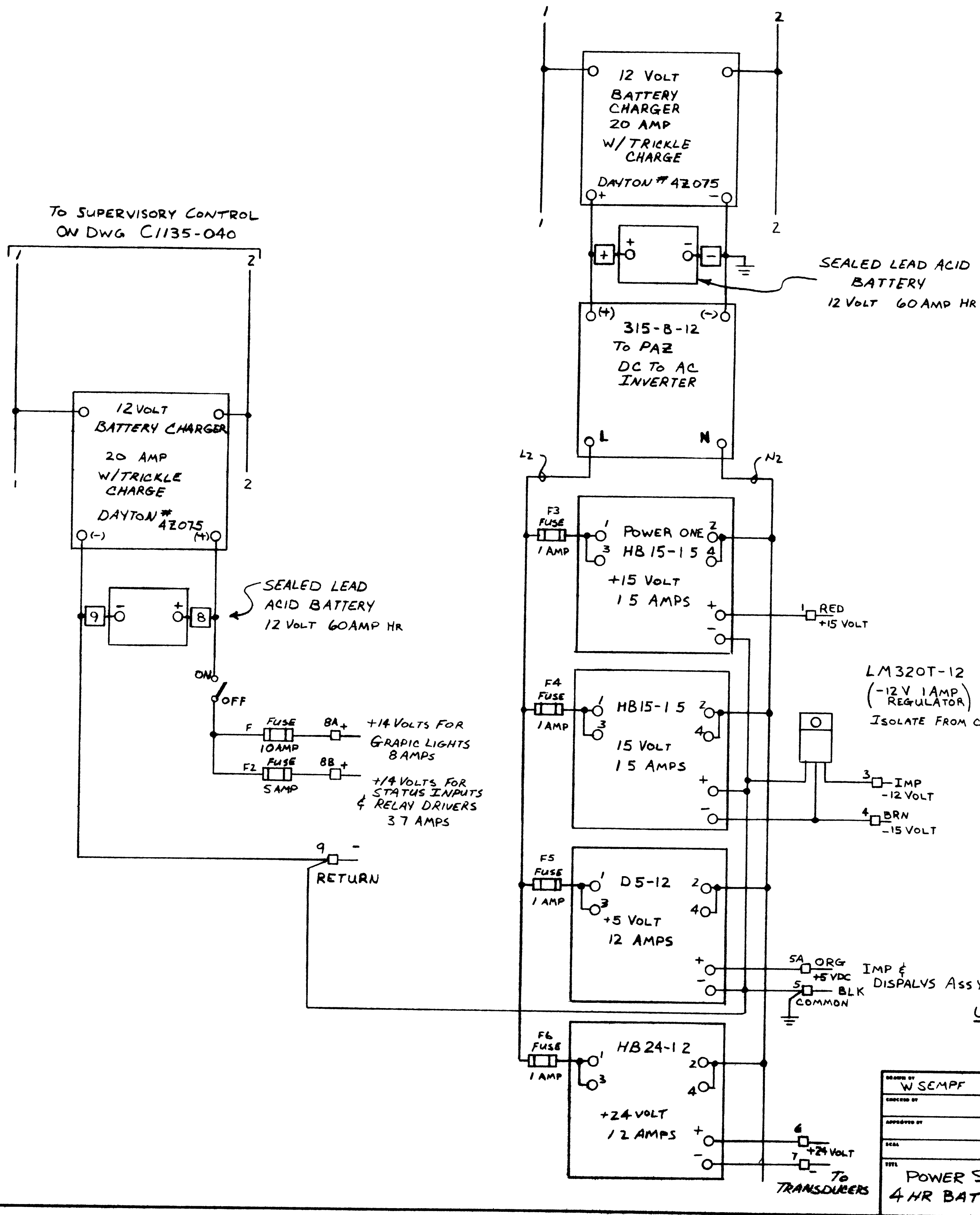


To POWER SUPPLY ON
DWG C1135 040 1



IMP DISPLAY
IMP SUPPLY

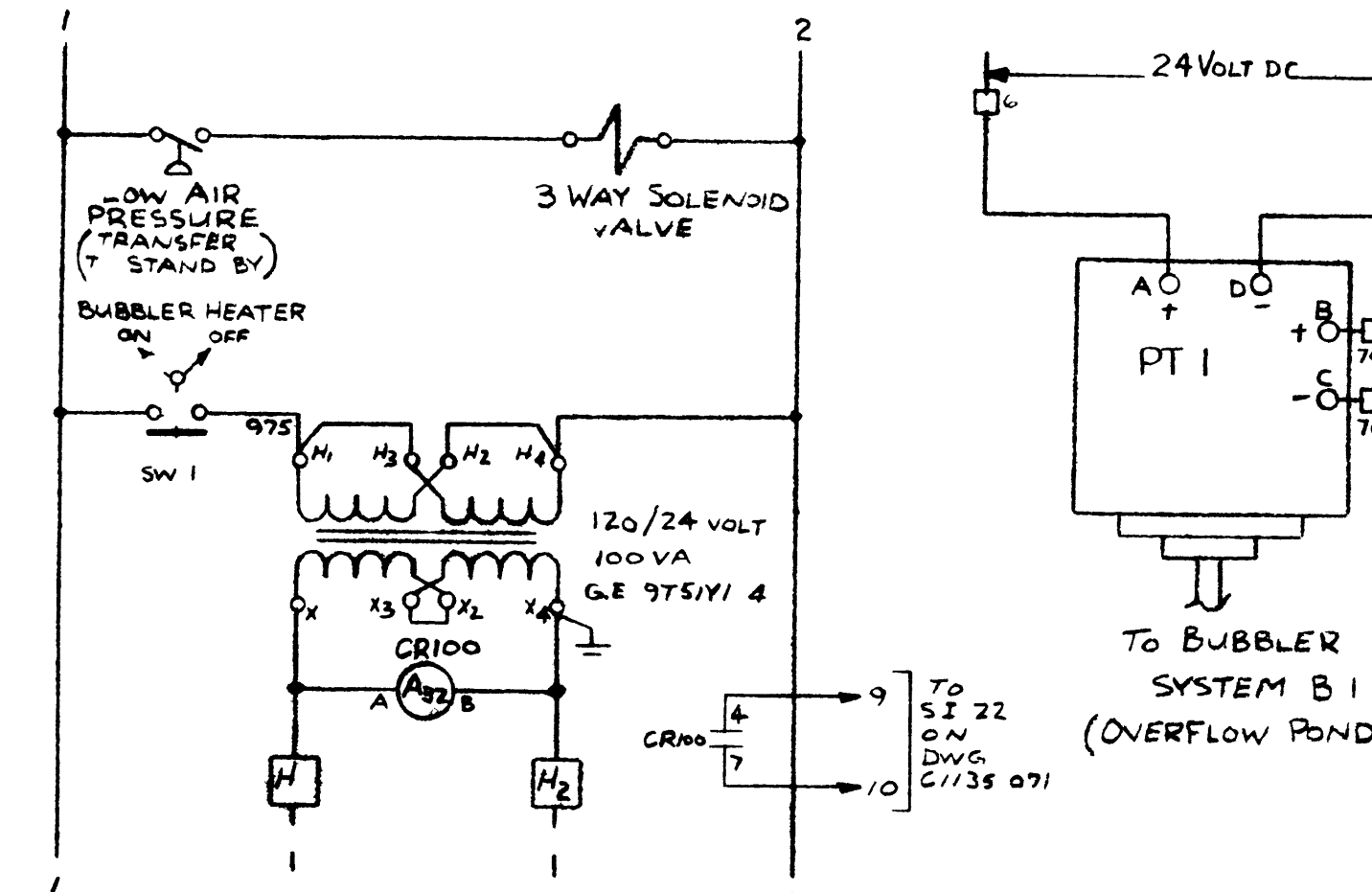
INCOMING POWER
WIRING



UNIT B1 & B2
CSO SUPERVISORY
PANEL

A	REVISED	3 8 78
---	---------	--------

DESIGNED BY W SCMPF	DATE 2/16/78	 edison controls inc 2642 E 7th AVE. NORTH ST. PAUL MINN.	PROJECT NO. 1135
CHECKED BY	DATE		PRODUCT NAME SUPERIOR WIS
APPROVED BY	DATE	TITLE POWER SUPPLY WITH 4 HR BATTERY BACKUP	REV. NO. C1135-040 1
DRAWN BY		REV. A	

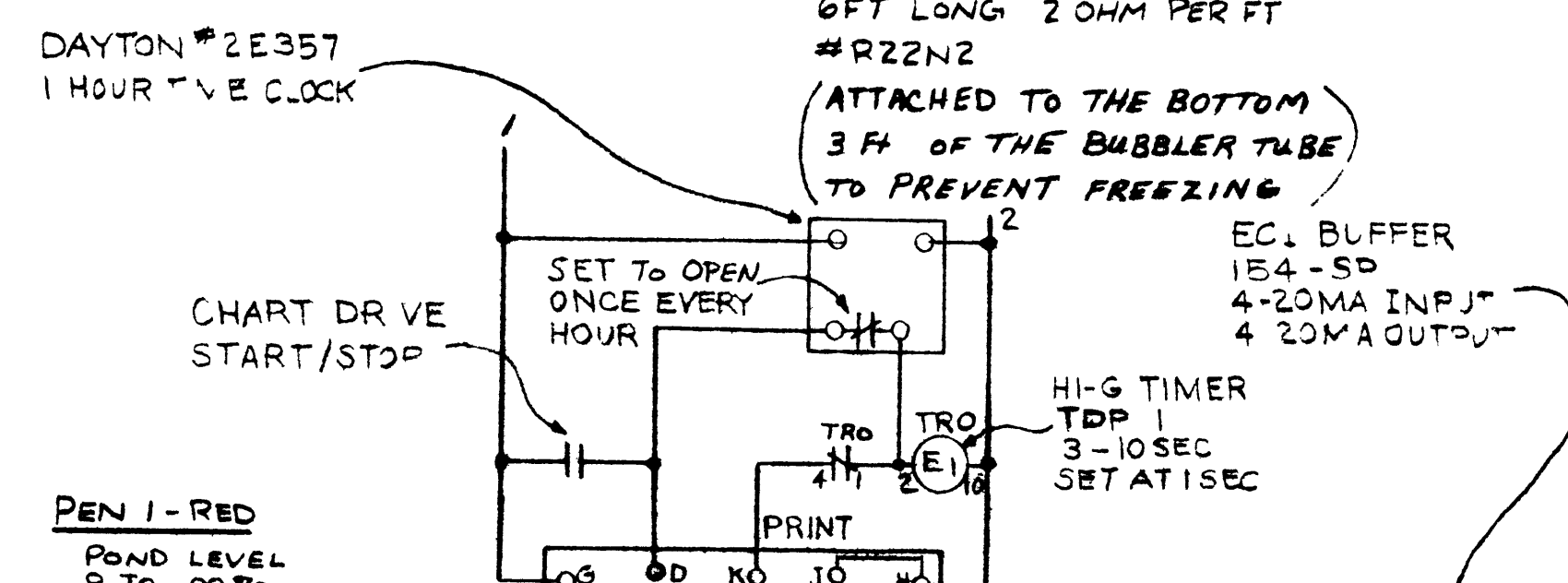


JUNCTION BOX

PROVIDED BY ELI FOR MOUNTING & WIRING BY OTHERS

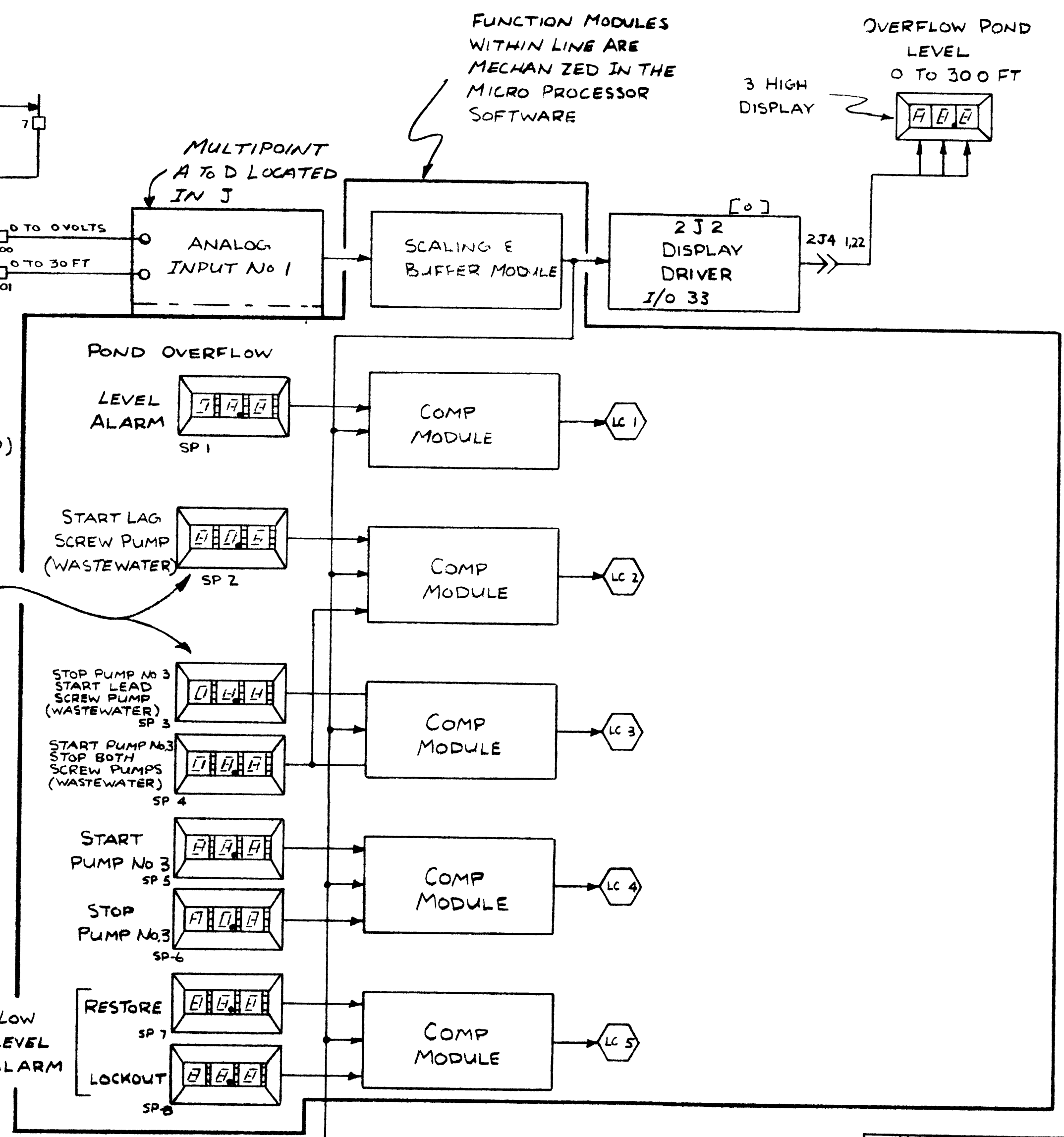
CHROMALOX COLD LEAD R14/2C 30 FT

CHROMALOX HEATING CABLE SS DESIGN E 6FT LONG 2 OHM PER FT #R22N2 (ATTACHED TO THE BOTTOM 3 FT OF THE BUBBLER TUBE TO PREVENT FREEZING)



- PEN 1 - RED**
POND LEVEL
0 TO 100%
(0 TO 30 FT)
- PEN 2 BLUE**
PLANT FLOW
0 TO 100%
(0 TO 2000 gpm)
- PEN 3 GREEN**
CHLORINE RESIDUAL
0 TO 100%
(0 TO PPM)

CONTROL SET POINTS ARE ENTERED THRU ONE COMMON THUMB WHEEL SWITCH SEE DWG C1135 022



FUNCTION MODULES WITHIN LINE ARE MECHANIZED IN THE MICRO PROCESSOR SOFTWARE

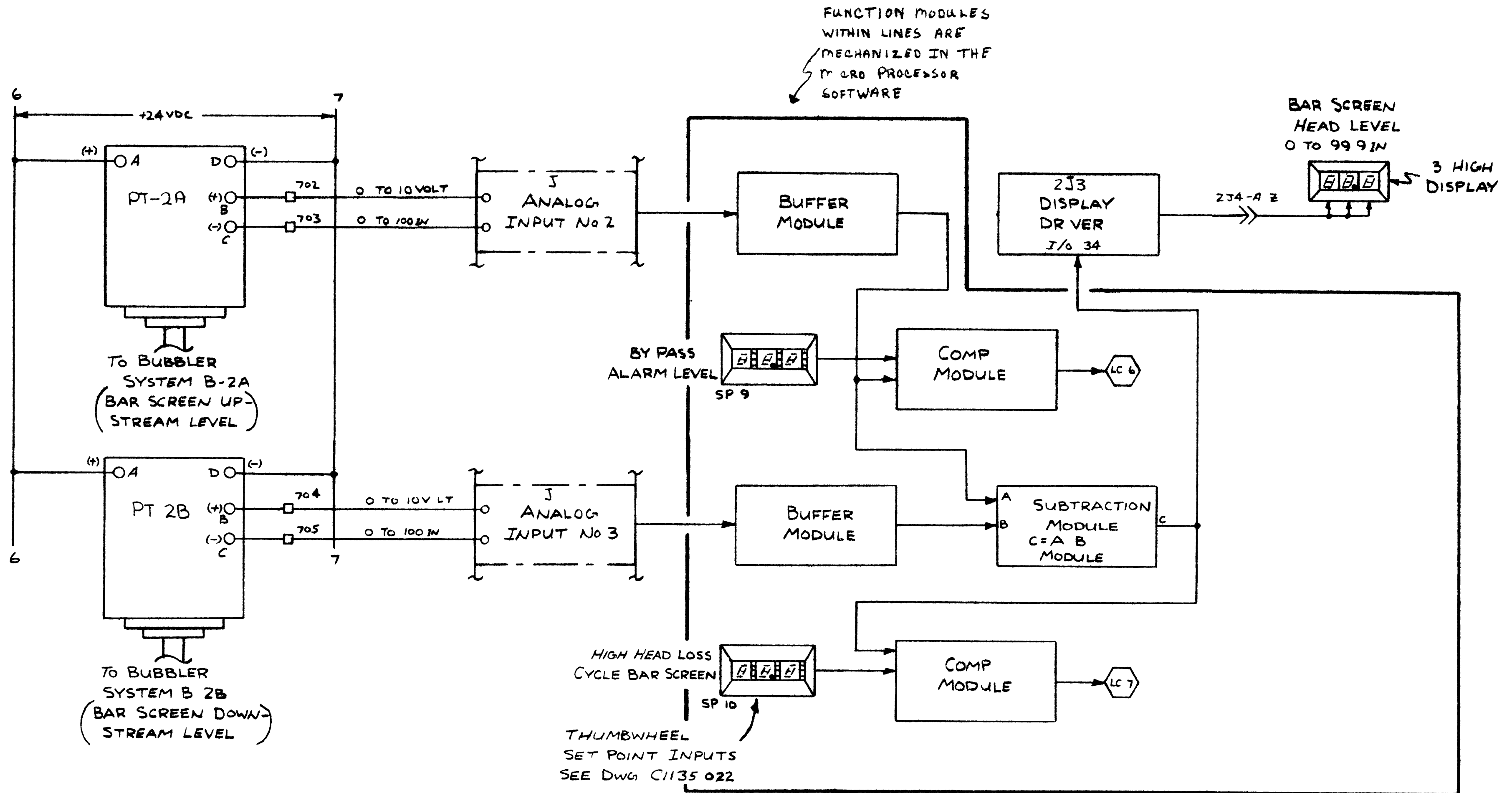
OVERFLOW POND LEVEL 0 TO 300 FT

3 HIGH DISPLAY

UNIT B1 & B2
C50 SUPERVISORY
PANEL

REVISIONS		
C	ADDED BUFFER AMP & SCAMP TIMER CB	11-16-78
B	REVISED	3-9-78
A	REVISED FOR APPROVAL	11-21-77

DESIGNED BY ROD HAYNE	DATE 2 23 77	 edison controls inc 2562 E. 77th AVE NORTH T. PAUL, MINN.
CHECKED BY	DATE	
APPROVED BY	DATE	PROJECT NO. SUPERIOR WISC
REV. NO.		DWG. NO. 1/35
TITLE WASTEWATER PUMP CONTROL		SCALE 1/1" = 1'-0"
		DWG. NO. C1135-041

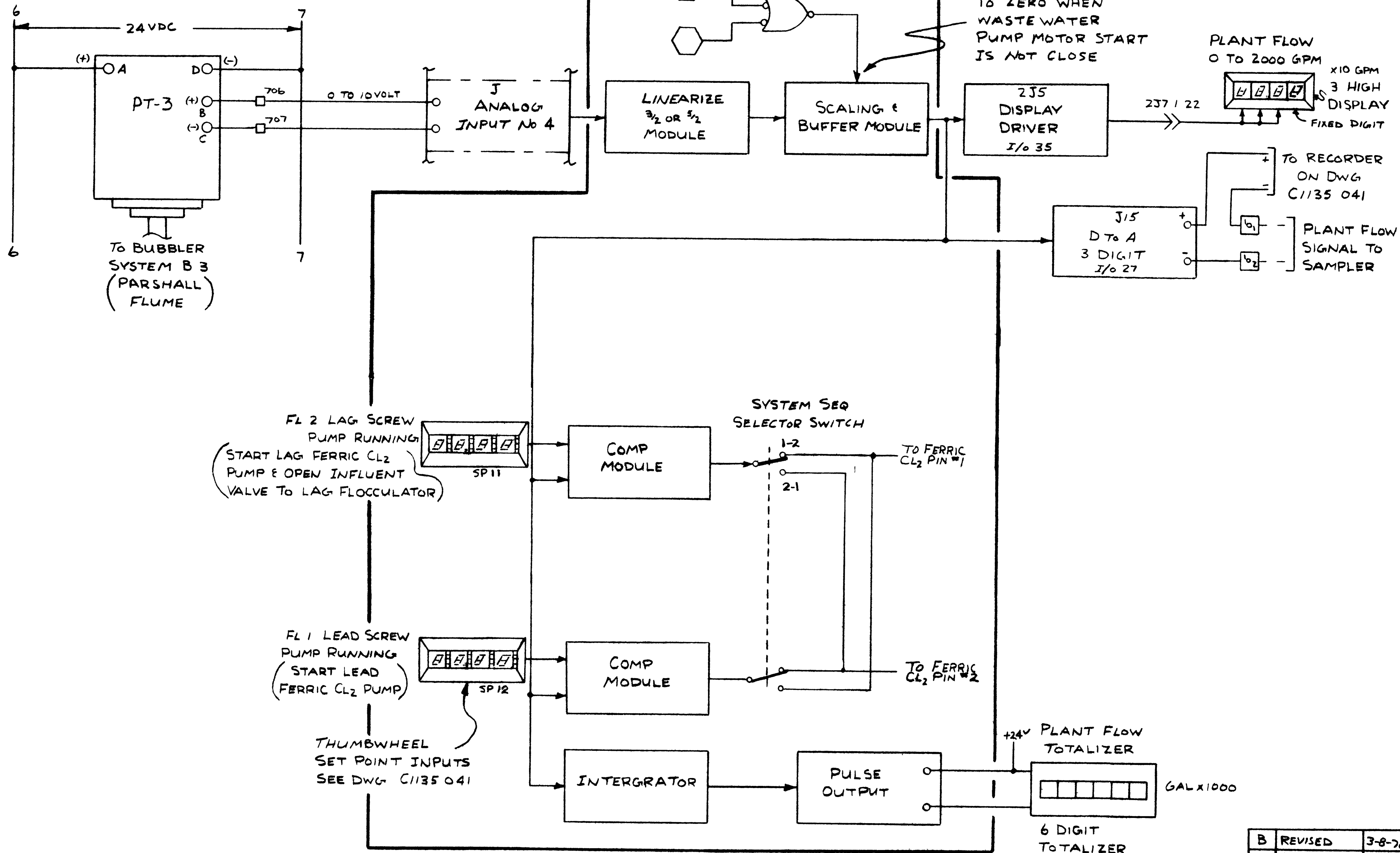


UNIT B1 & B2
CSO SUPERVISORY
PANEL

B	REVISED	3-8-78
A	REVISED FOR APPROVAL	11-21-77

DESIGNER RD HAYNE	DATE 7-23-77	 edison controls inc 2868 E. 7th AVE. NORTH ST. PAUL, MINN.
CHECKED BY	DATE	
APPROVED BY	DATE	PROJECT NAME SUPERIOR, WISC
TITLE BAR SCREEN LEVEL CONTROL		DR. JOB NO. 1135
PART NO. OR QUANTITY NO. C1135-042		1/2

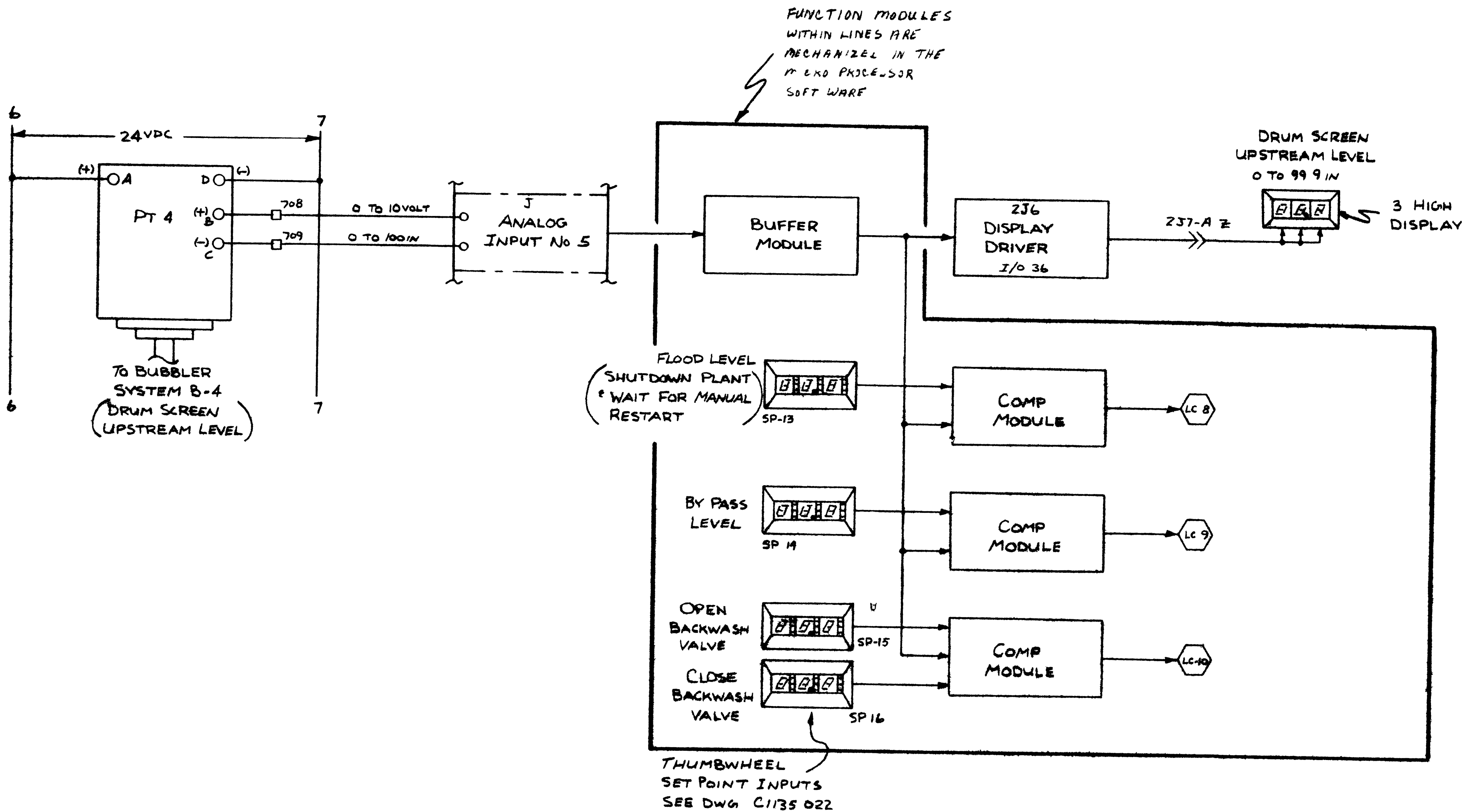
FUNCTION MODULES
WITHIN LINES ARE
MECHANIZED IN THE
MICRO PROCESSOR
SOFTWARE



B	REVISED	3-8-78
A	REVISED FOR APPROVAL	11-21-77

UNIT B1 & B2
CSO SUPERVISORY
PANEL

DESIGNED BY ROD HAYNE	DATE 2-24-77		edison controls inc 2862 E. 7th AVE. NORTH PAUL, MINN.	
APPROVED BY	DATE		PROJECT SUPERIOR WISC	PR. NO. NO. 1135
TITLE PLANT FLOW CONTROL		SCALE	DWG. NO. C/135-043	REV. B

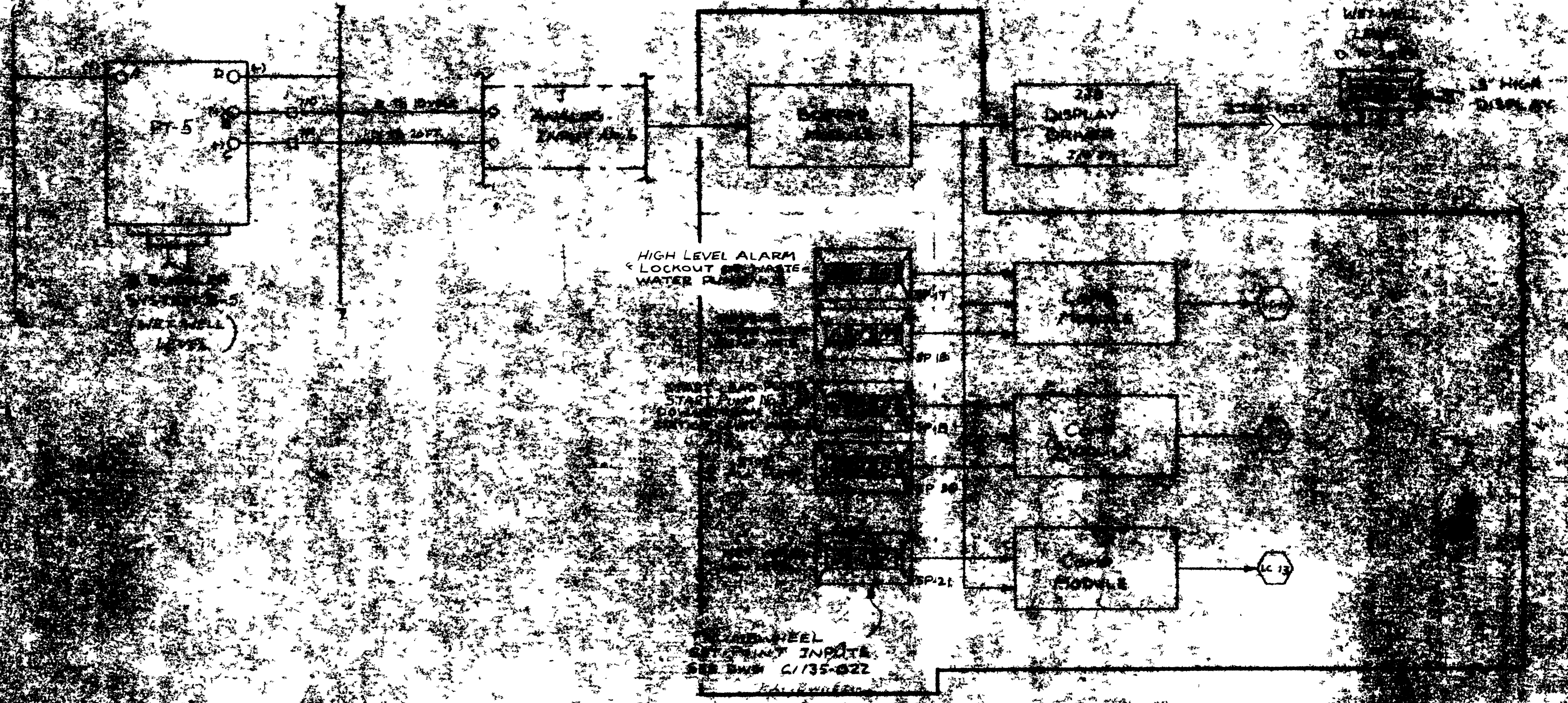


UNIT B1 E BZ
CSO SUPERVISORY
PANEL

B	REVISED	3-8-78
A	REVISED FOR APPROVAL	11-21-77

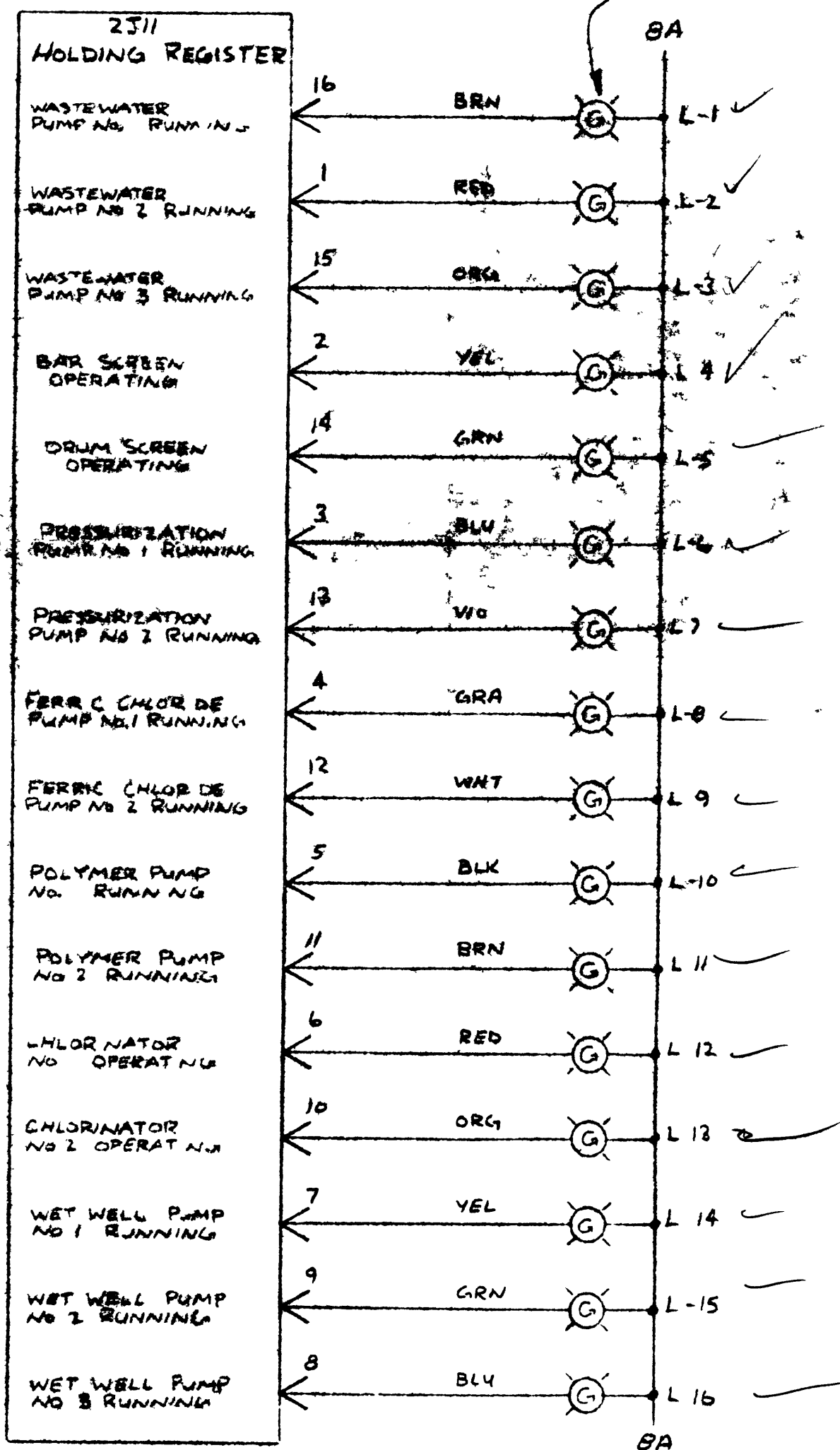
DATE: 2-24-77	edison controls inc 5842 S 7th AVE. NORTH ST PAUL
PROJECT NAME: SUPERIOR WISG,	PROJECT NO: 1135
TITLE: DRUM SCREEN LEVEL CONTROL	DWG NO: C1135-044

MODULE
LINES ARE
PROVIDED IN THE
PHOTO-PROCESSOR
NOT WIRE



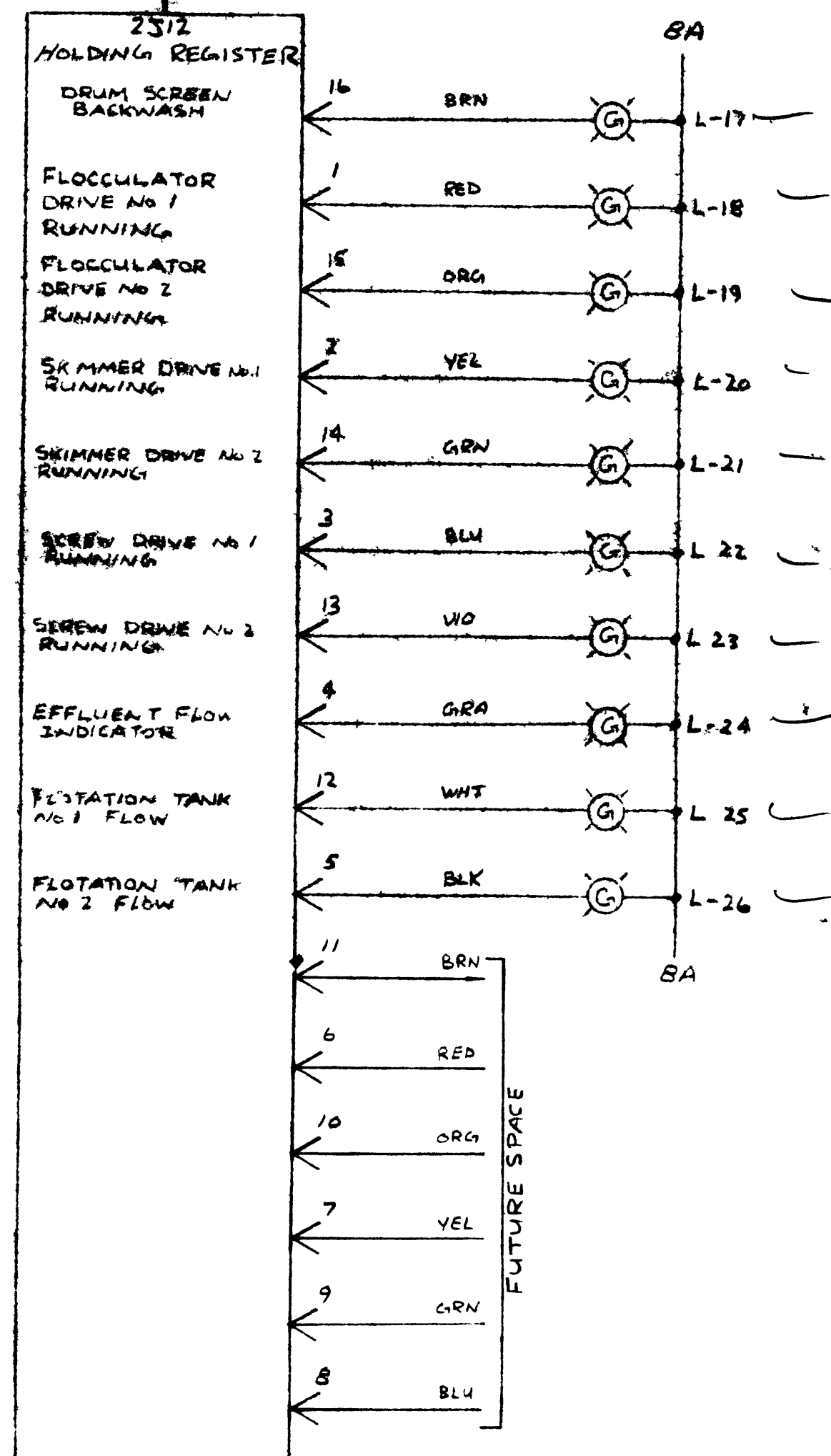
GRAPHIC PANEL
LIGHT 14V 30 MA

G - GREEN
R - RED
A - AMBER



DATA BUS

INDICATED &
TRANSMITTED



DATA RECEIVED FROM MASTER
EMERGENCY SHUTDOWN INITIATION
DRAIN CYCLE INITIATION

DISTR CT No 5
CSO TREATMENT PLANT
SOUTH SUPERIOR

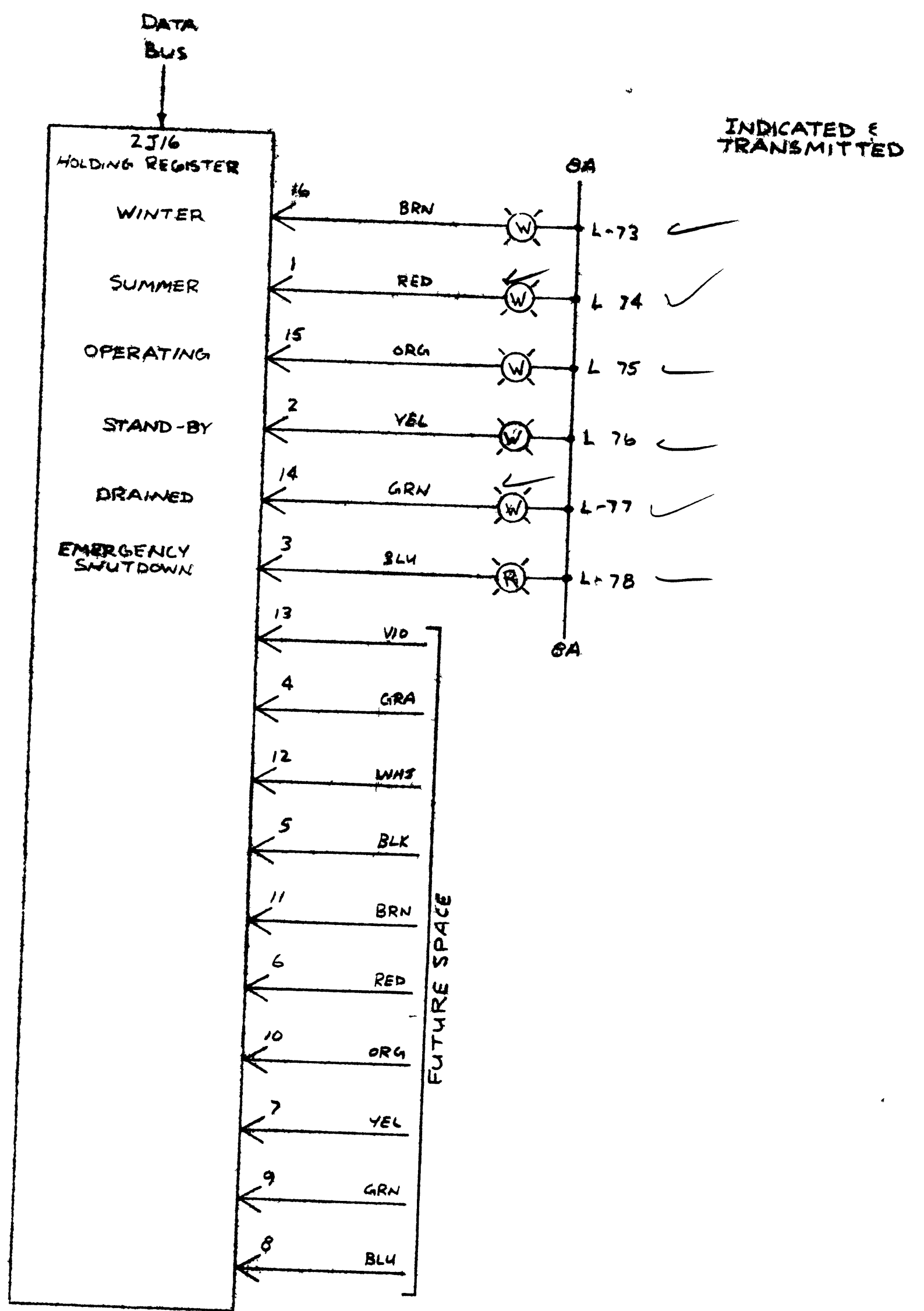
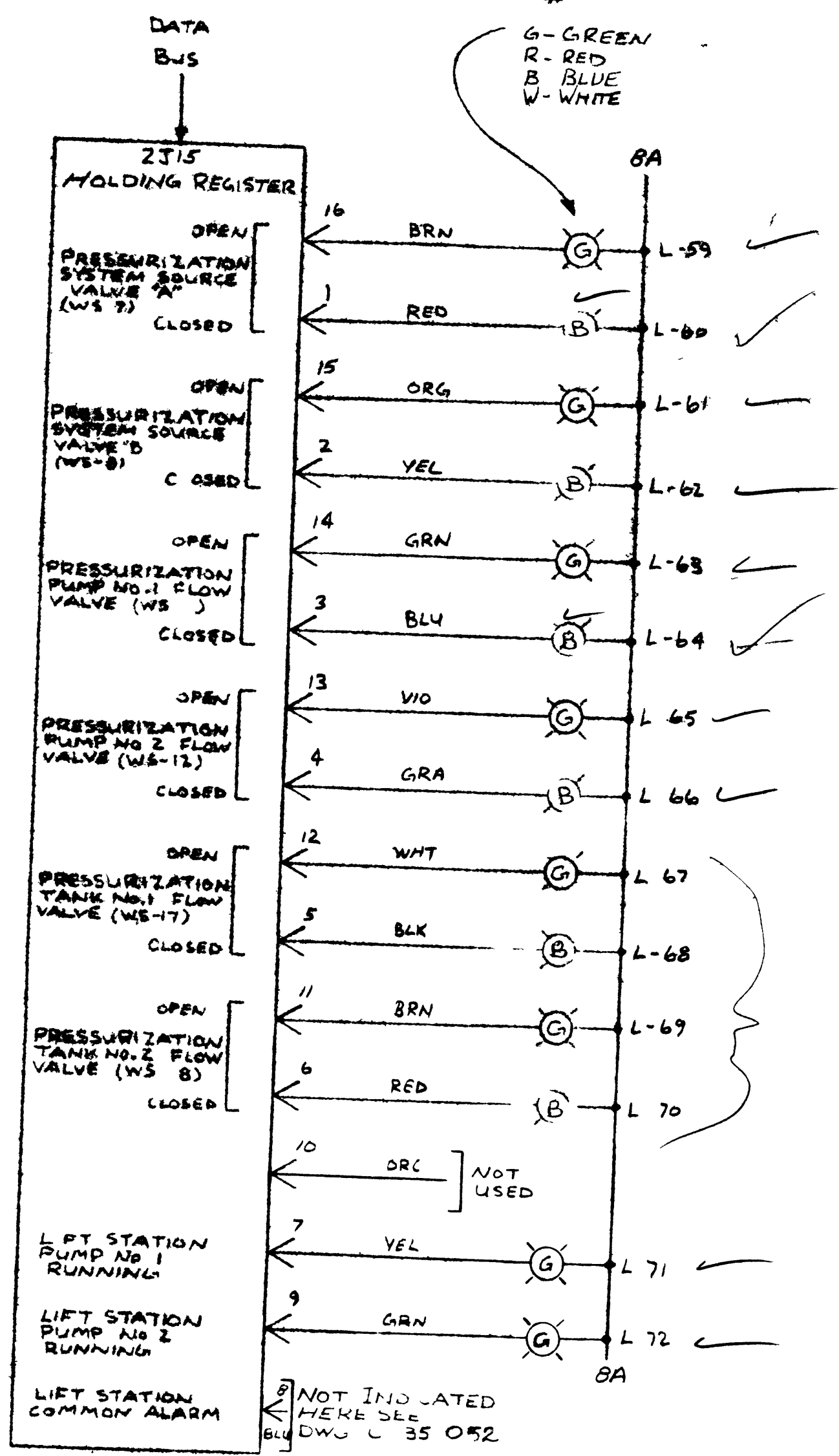
UNIT B1EB2
CSO SUPERVISORY
PANEL

B	REVISED	3 8 76
A	REVISED FOR APPROVAL	11-21-77

DESIGNED BY RED MAWNE	DATE 2-7-77		SUPERIOR WISC DIST. No 5 & No 6	PROJECT NO. 1135
CREATED BY	DATE			
STATUS LIGHT WIRING		C1135-046		

GRAPHIC PANEL
LIGHT 14V 80 MA
#

G-GREEN
R-RED
B-BLUE
W-WHITE



DISTRICT NO. 5
CSD TREATMENT PLANT
SOUTH SUPERIOR

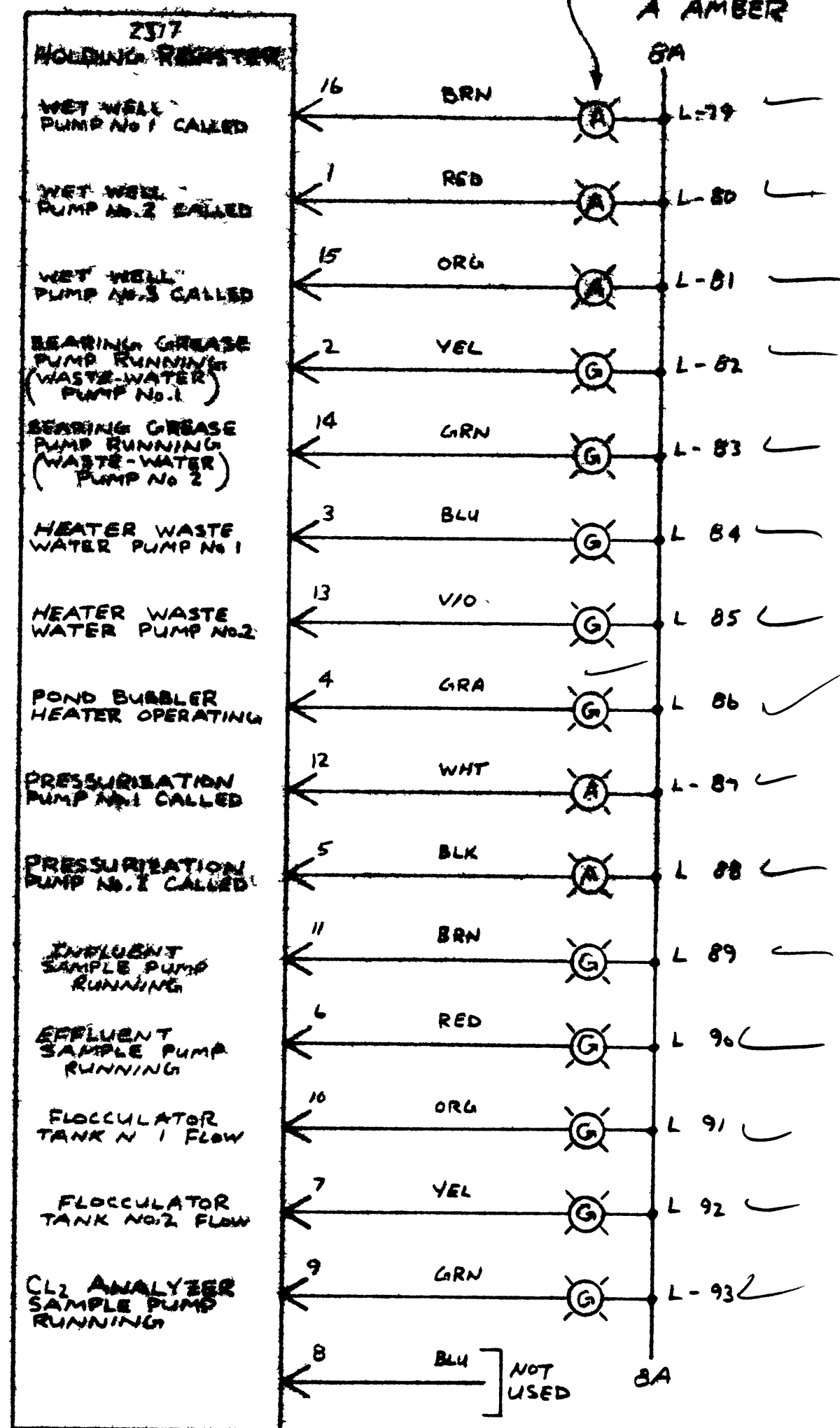
UNIT B1, B2
CSD SUPERVISORY PANEL

B	REVISED	3-8-78
A	REVISED FOR APPROVAL	11-21-77

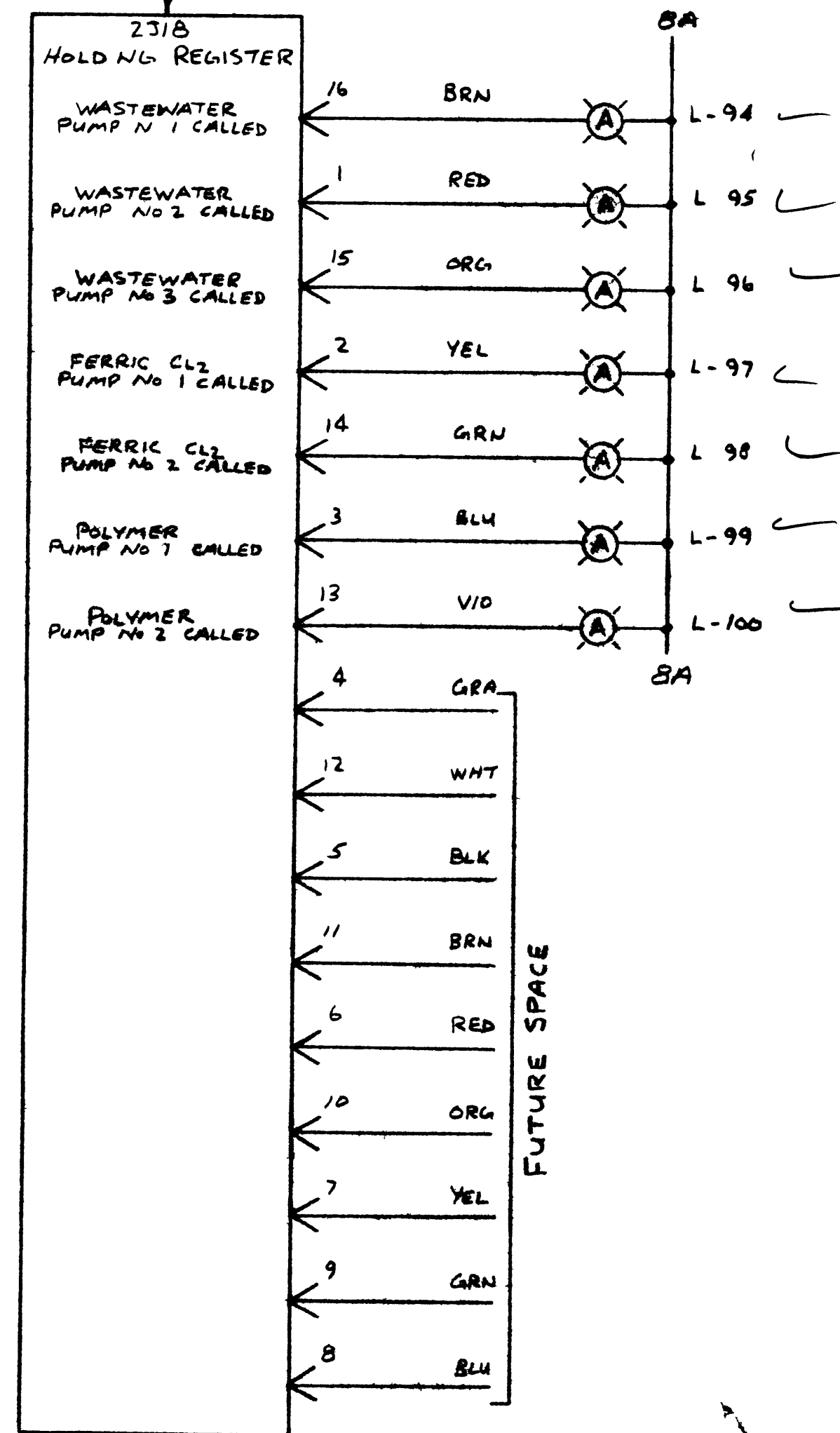
DESIGNED BY R. D. HANNA	DATE 2-8-77	<p>edison controls inc</p>
APPROVED BY	DATE	
SCALE	TITLE SUPERIOR WISC DIST No 5 & No. 6	NO. OF SHEETS 135
STATUS LIGHT WIRING		PROJECT NO. C1135-048

GRAPHIC PANEL
LIGHT MV, SA

G GREEN
R- RED
A AMBER



DATA
BUS



INDICATED
NOT TRANSMITTED
BACK

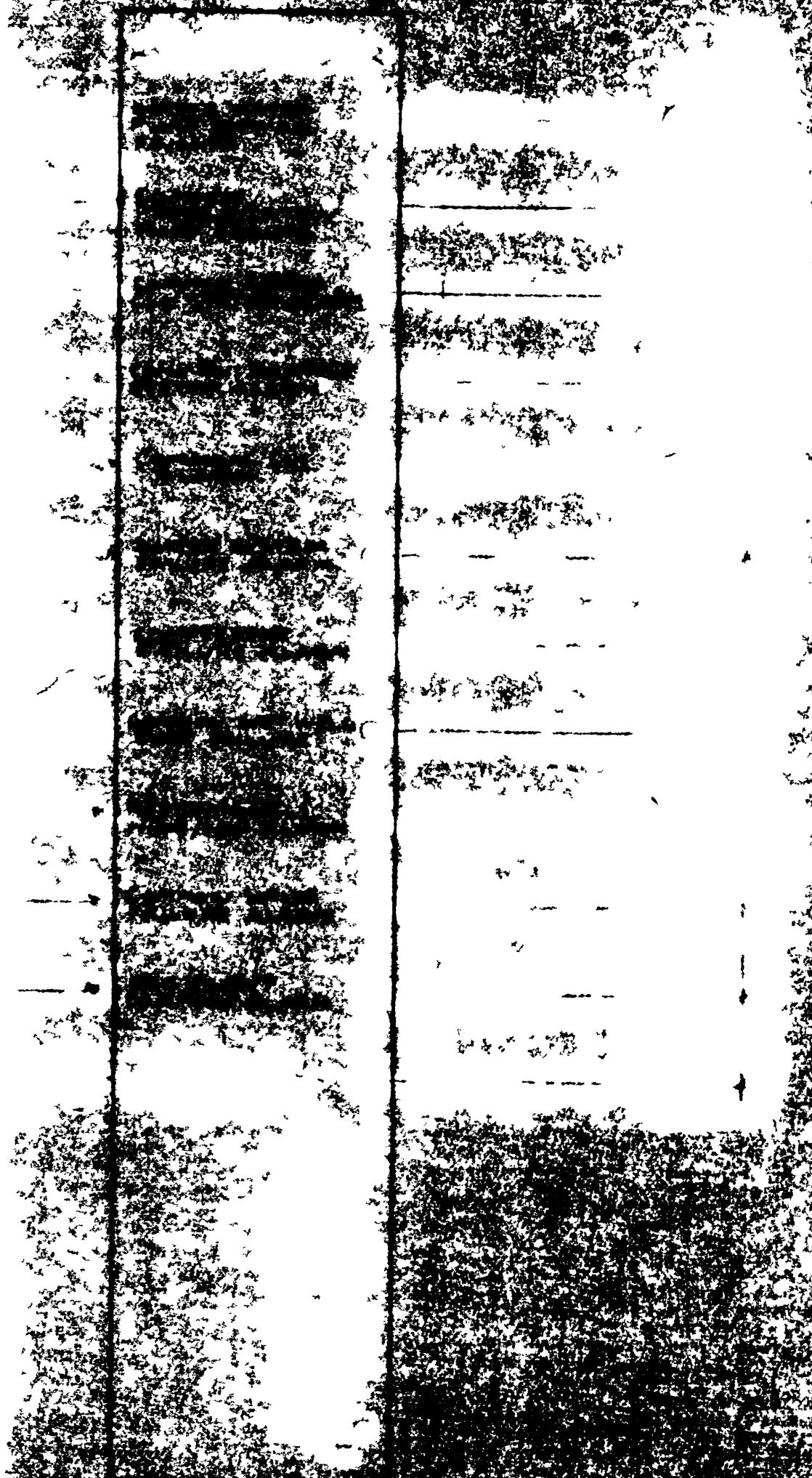
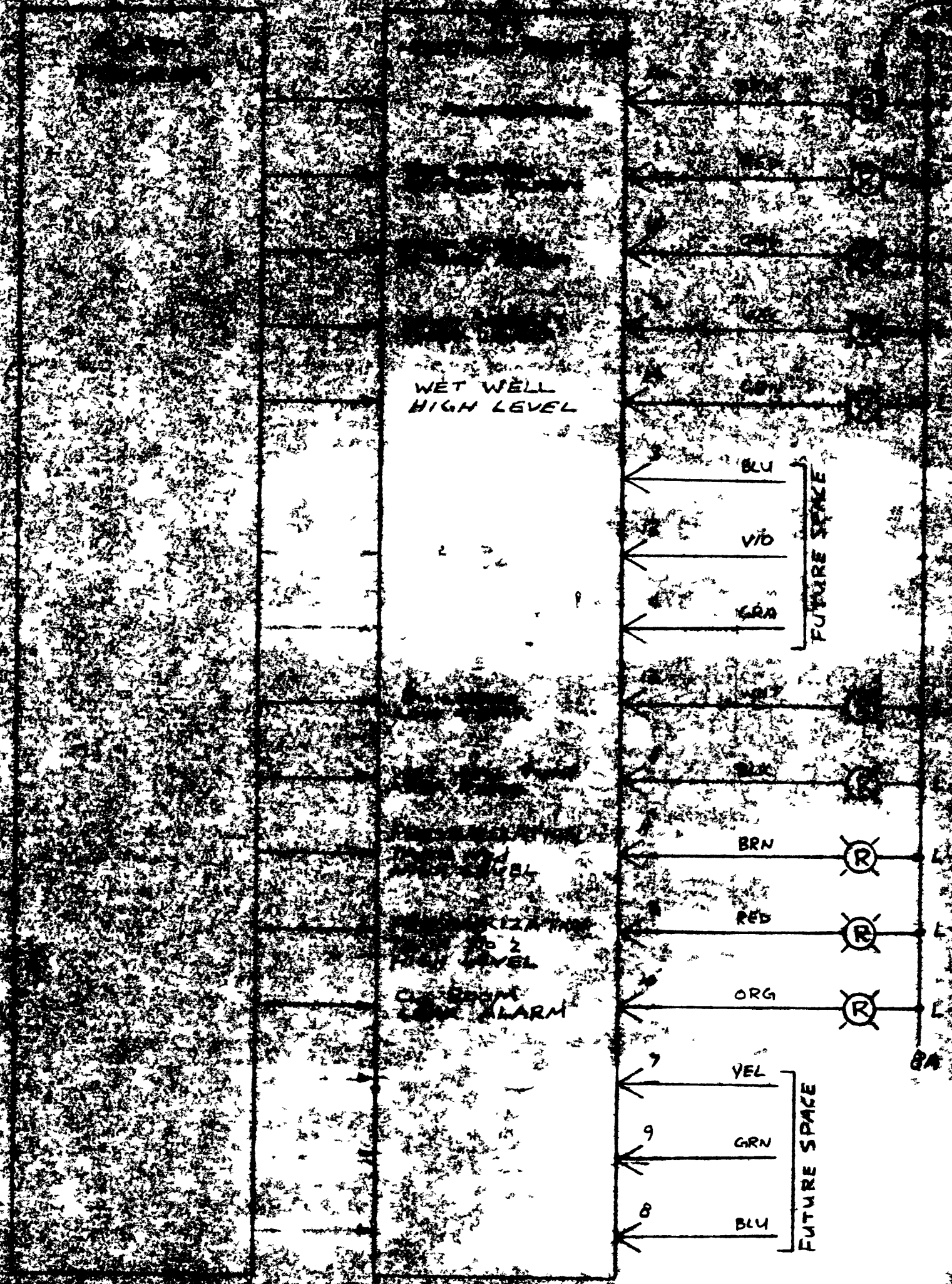
UNIT B1-B2
CSO SUPERVISORY
PANEL

DISTRICT No 5
CSO TREATMENT PLANT
SOUTH SUPERIOR

DATE OF REV. CHANGE	DATE	BY
4-7-77		
edison controls inc		
1/35		
STATUS LIGHT WIRING		

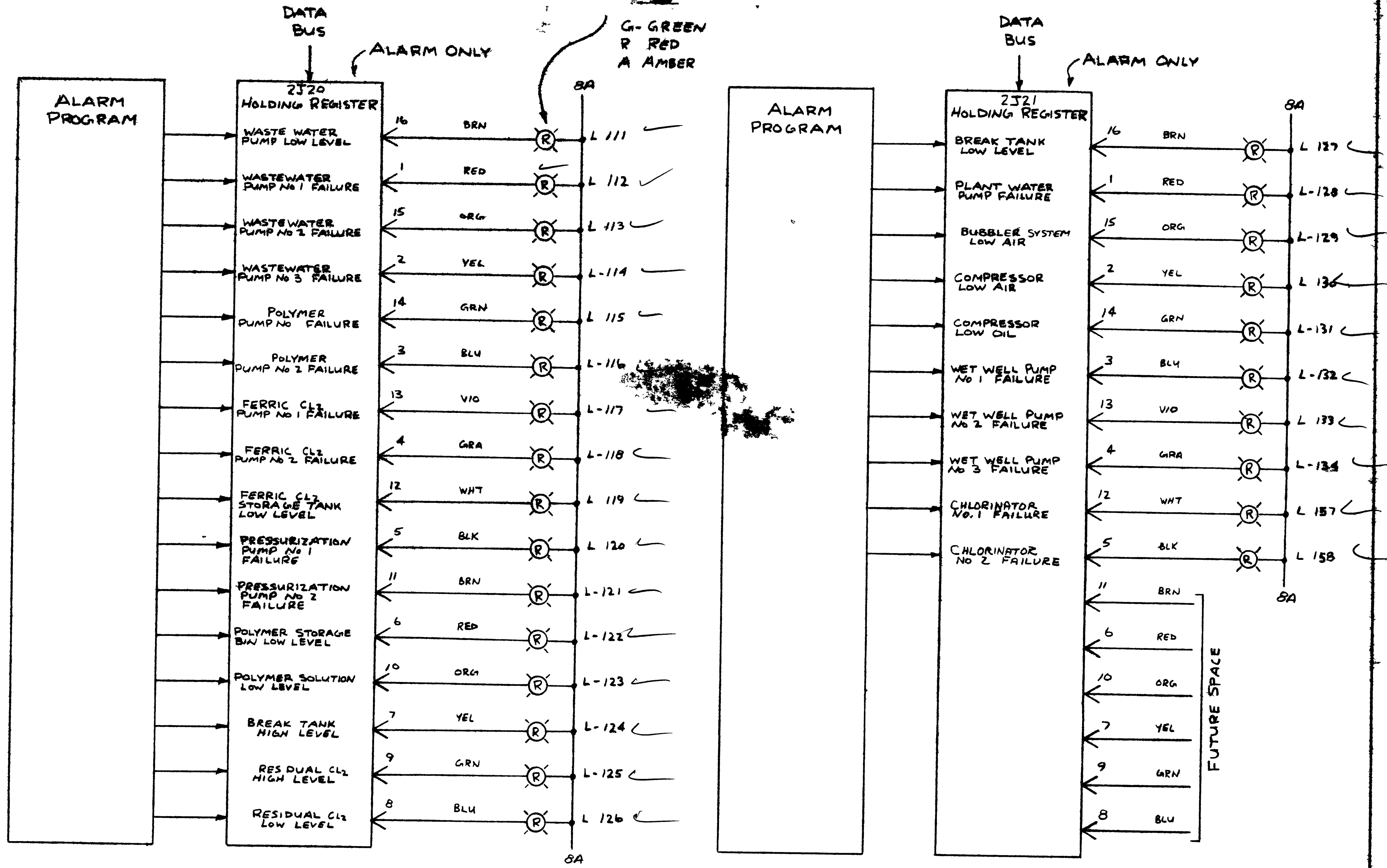
14V, 86 MA

GREEN
RED
AMBER



B13

STATUS LIGHT
12V, 50 MA

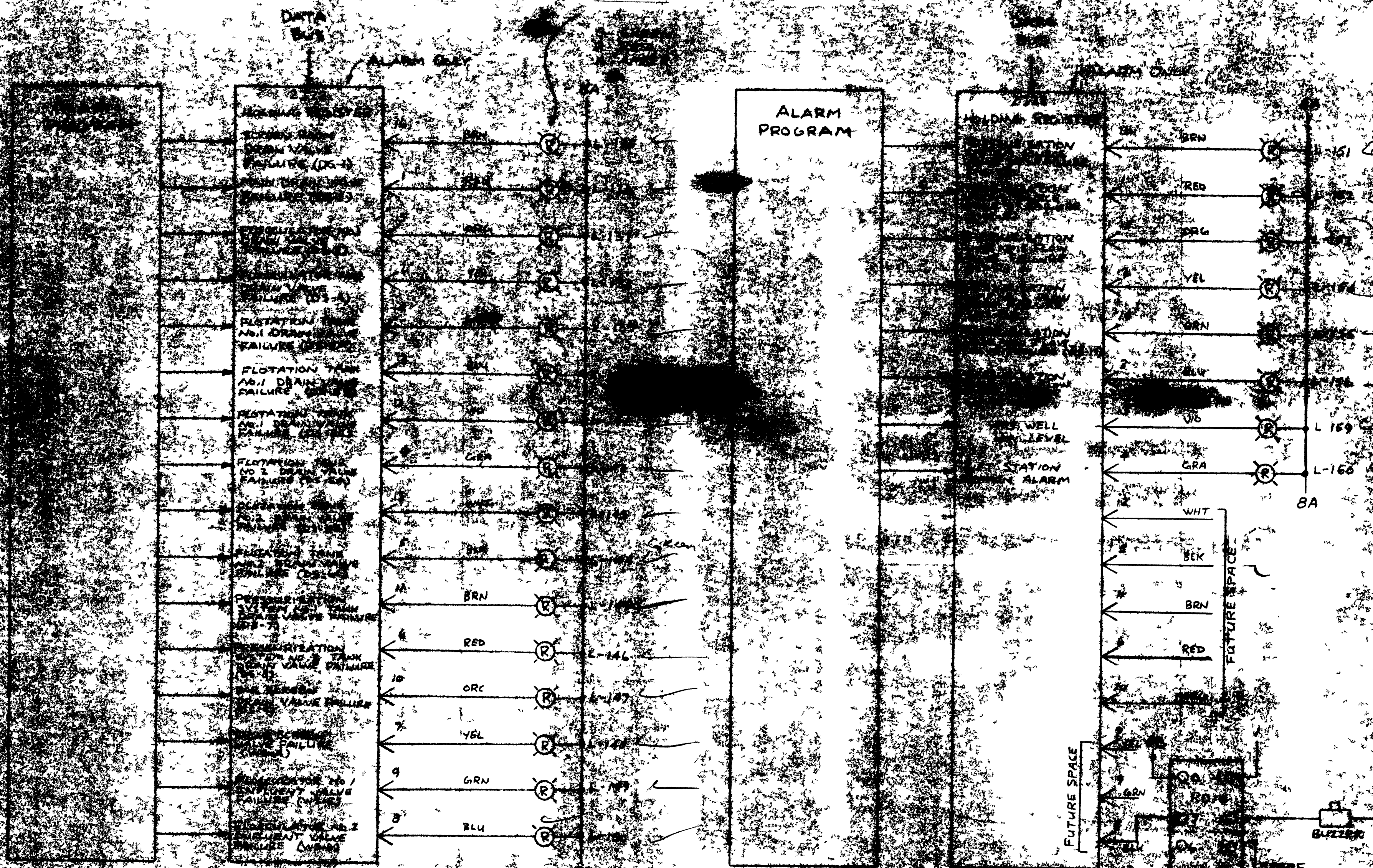


UNIT B1 & B2
CSO SUPERVISORY PANEL

B	REVISED	3-8-78
A	REVISED FOR APPROVAL	11/1/77

DISTRICT No 5
CSO TREATMENT PLANT
SOUTH SUPERIOR

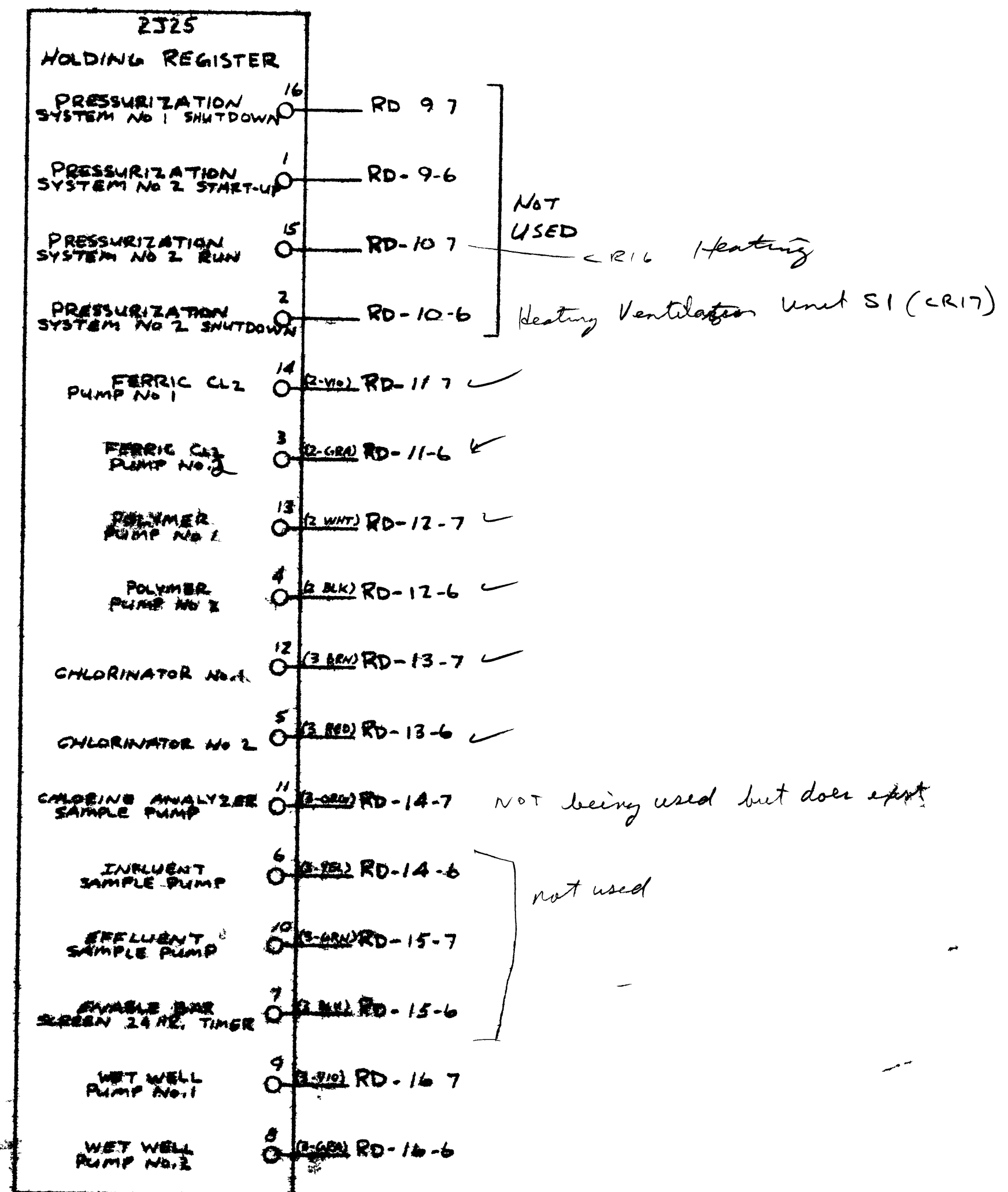
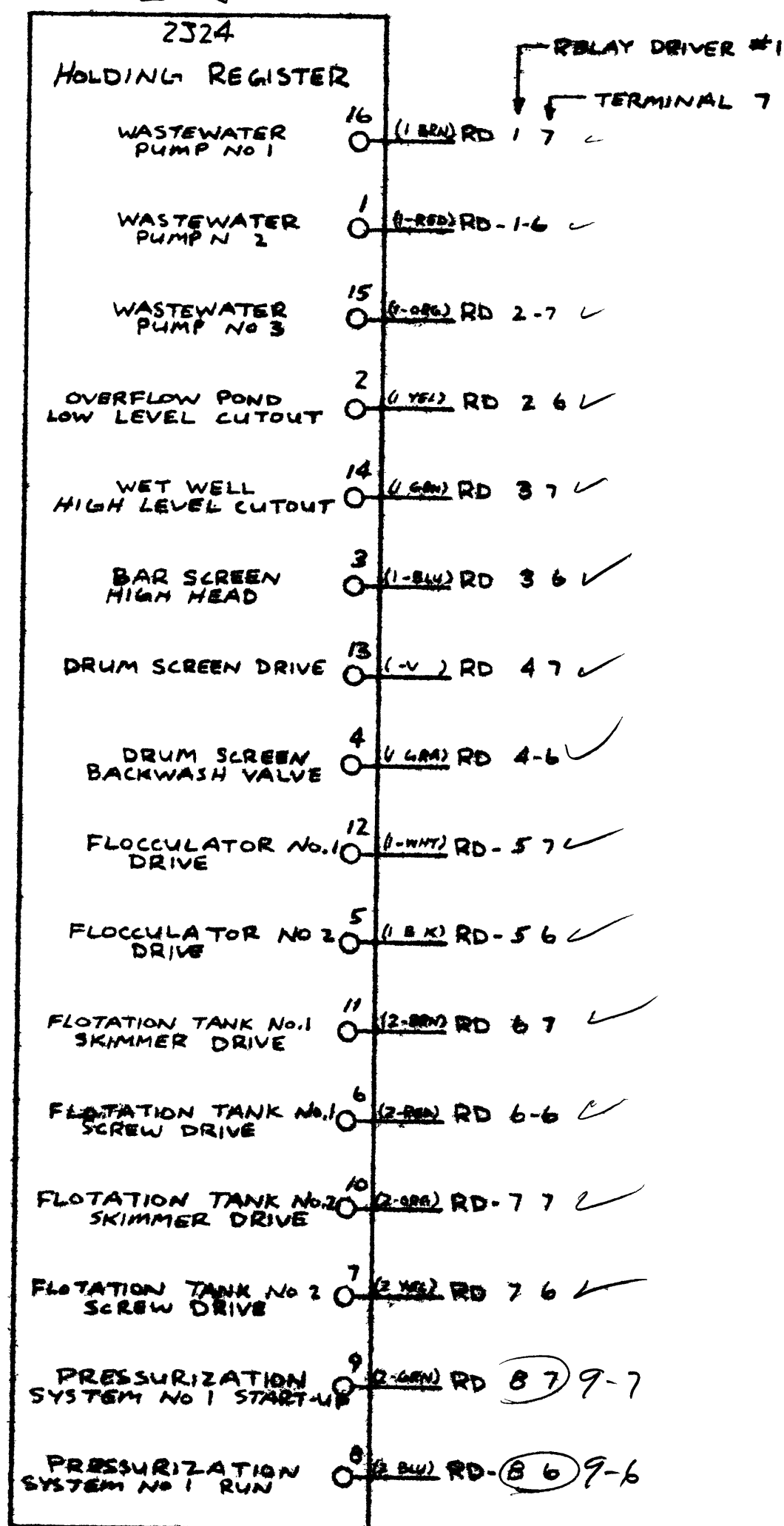
DESIGNED BY ROD MAYNE	DATE 4-7-77		edison controls inc 2562 E. 7th Ave. NORTH ST. PAUL, MN
APPROVED BY	DATE		
PROJECT NO. 1135	PROJECT NAME SUPERIOR, WISC., DIST No 5 (No. 6)	PROJECT NO. 1135	
TITLE STATUS LIGHT WIRING		DRAWING NO. C1135-051	



DISTRICT No. 2
CSO TREATMENT PLANT
SOUTH SUPERIOR

DATE	3-9-77	REVISED FOR APPROVAL	3-9-77
BY		APPROVAL	11-21-77
SUPERIOR WSC		7/95	
STATE OF ILLINOIS		CT/88-052	

78
[315]

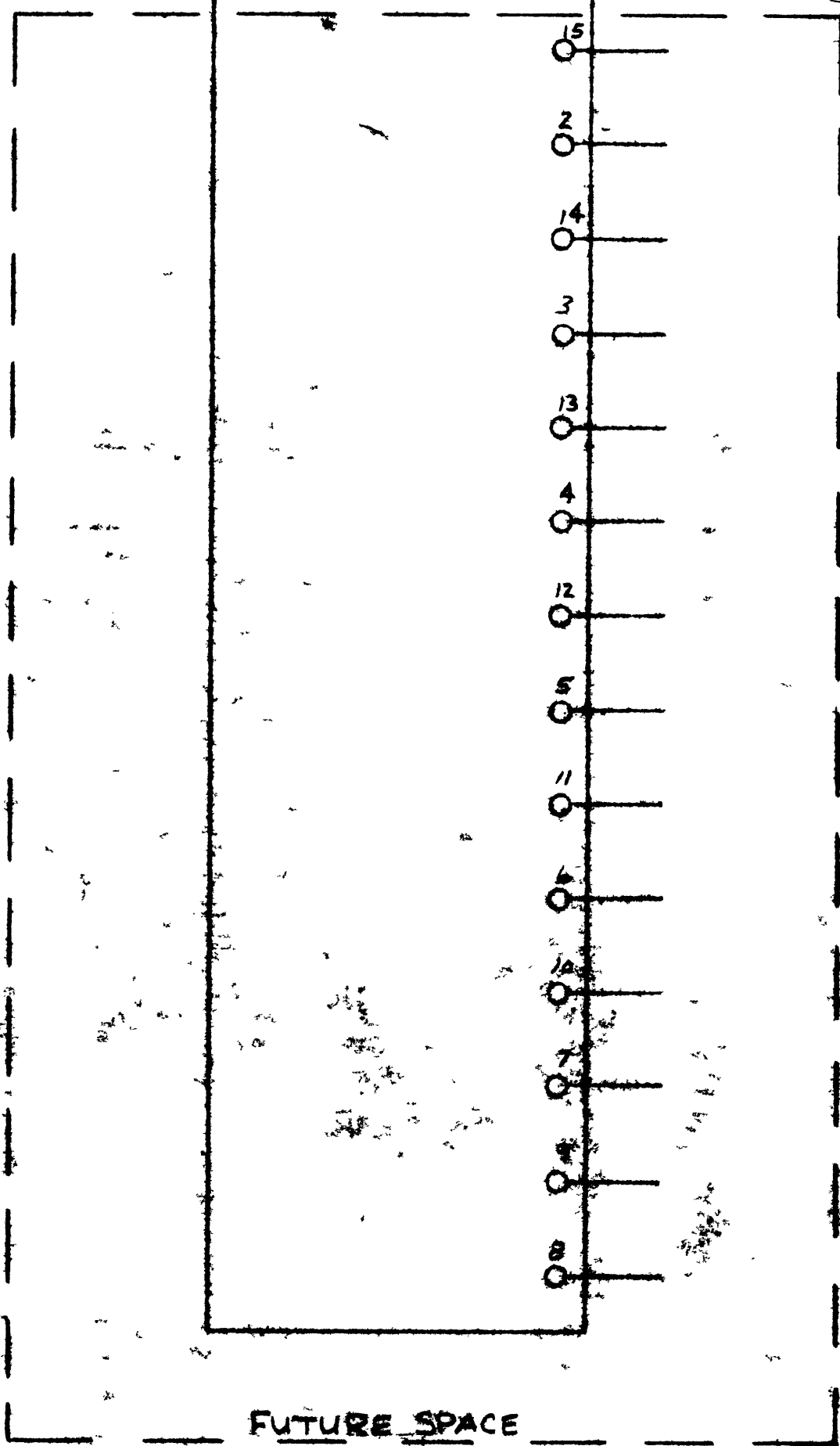
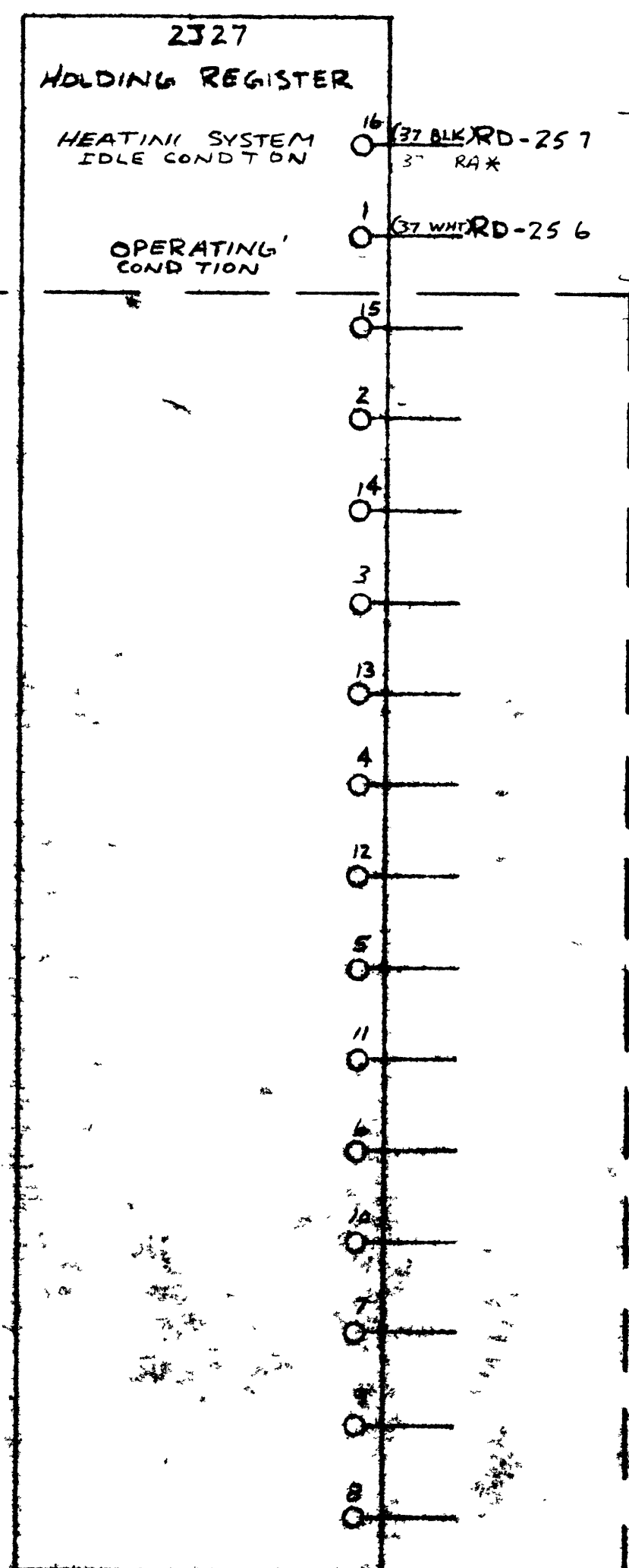
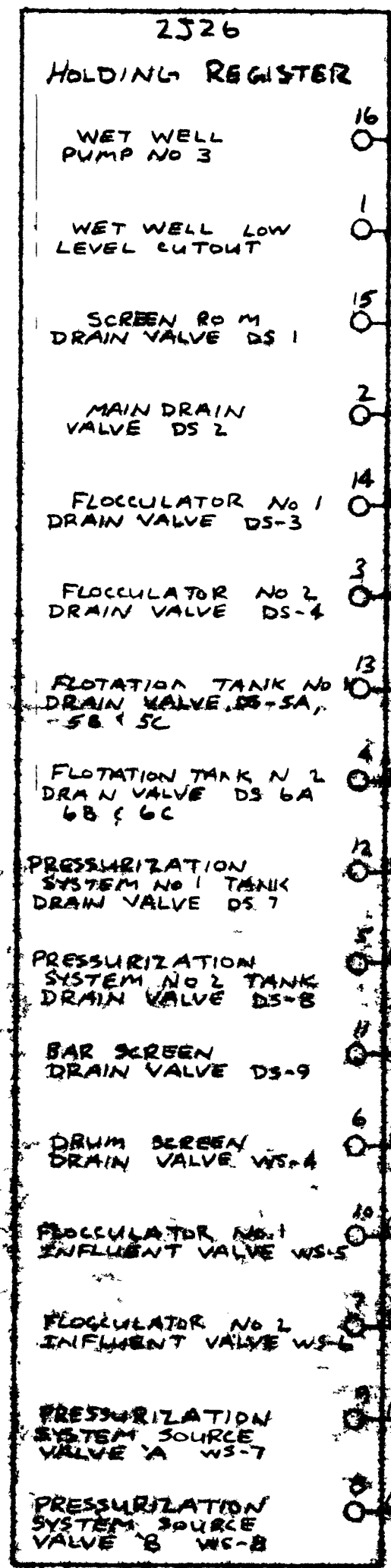


NOTE:

- 1) RELAY DRIVERS ARE LOCATED ON BAYS C1135-028 1134-028
- 2) (1-BRN) COLOR CABLE No

UNIT B1 & B2
CSO SUPERVISORY
PANEL

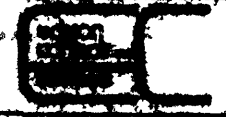
REVISED	9-4-78
edison controls inc	
SUPERVISOR, WISC	
1135	

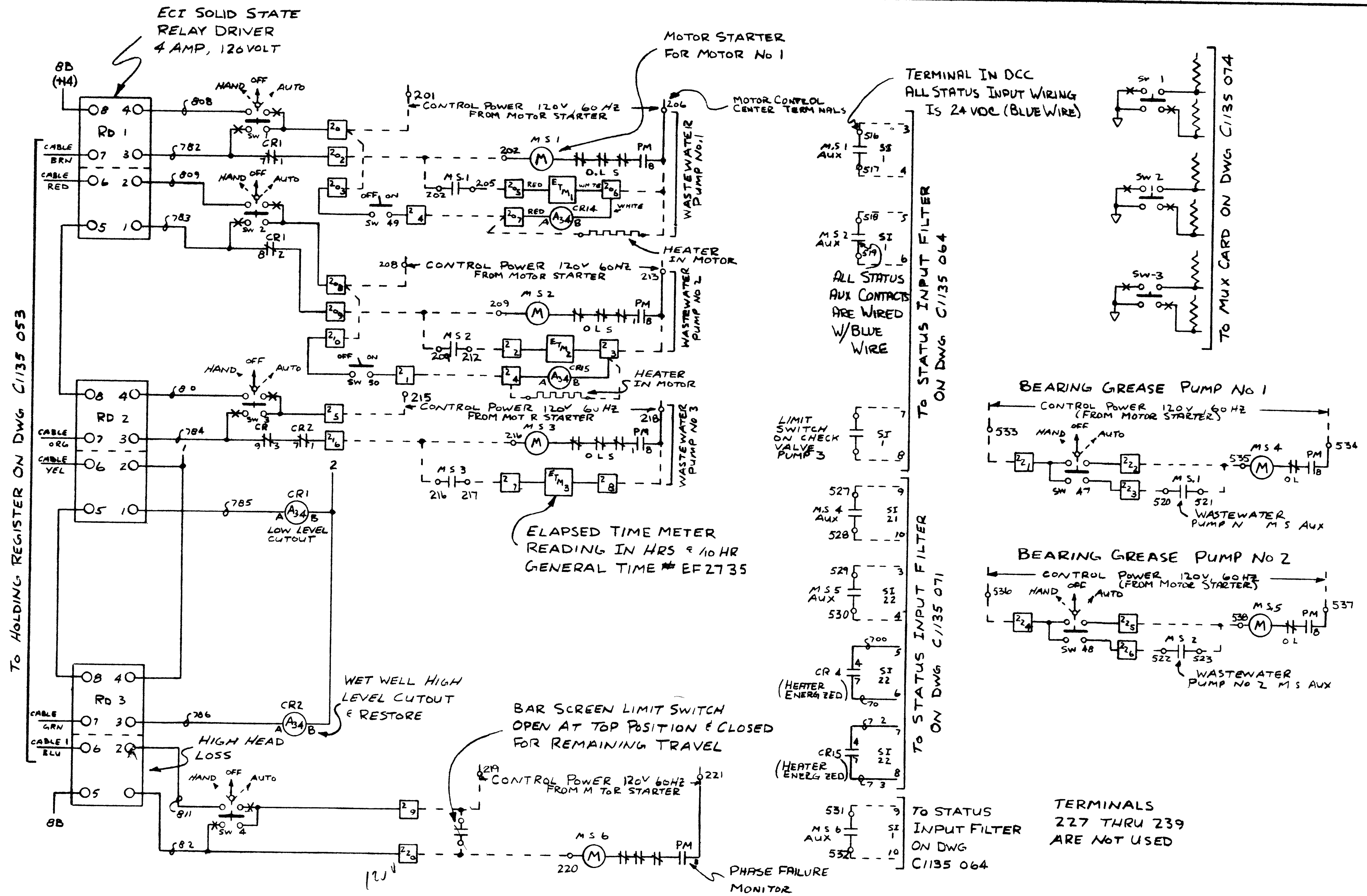


NOTE:
 1) RELAY DRIVERS ARE LOCATED ON DWG C1135-058 TMR4-07B
 2) (3-WHT) COLOR CABLE N
 3) *-UNIT B2

UNIT B1 & B2
 CSO SUPERVISORY
 PANEL

A	REVISED	3-8-78
---	---------	--------

Project No. 1135	Rev. 2677	 edison controls inc <small>8000 S 7th AVE. NORTH ST. PAUL, MN</small>
Customer SUPERIOR WISC	Order No. 1135	
HOLDING REGISTER TO RELAY DRIVER WIRING		C1135-054

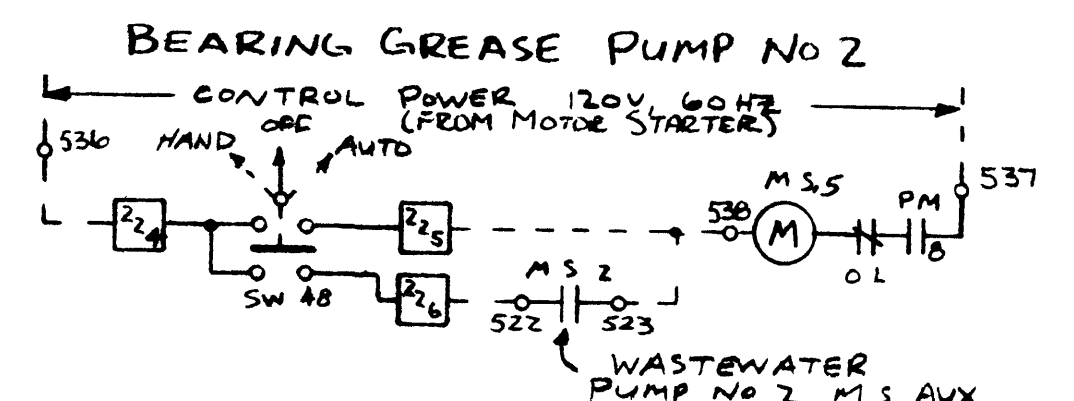
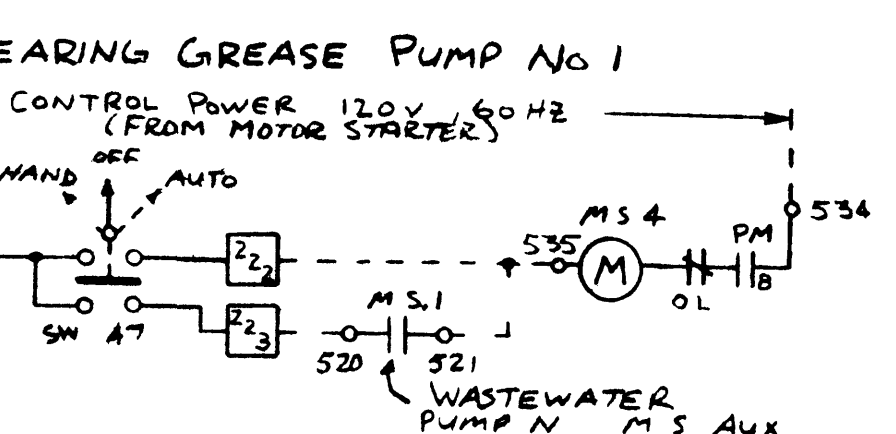


TO HOLDING REGISTER ON DWG C1135 053

TO STATUS INPUT FILTER ON DWG C1135 064

TO STATUS INPUT FILTER ON DWG C1135 071

TO STATUS INPUT FILTER ON DWG C1135 064



TERMINALS 227 THRU 239 ARE NOT USED

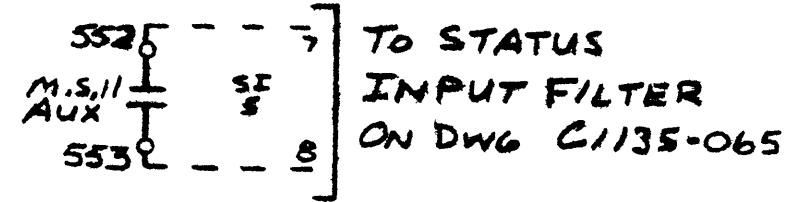
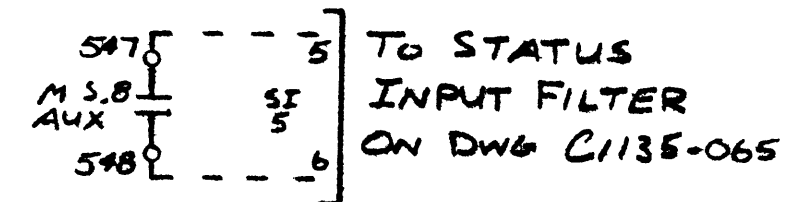
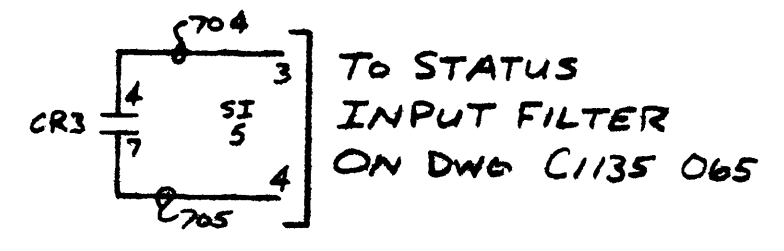
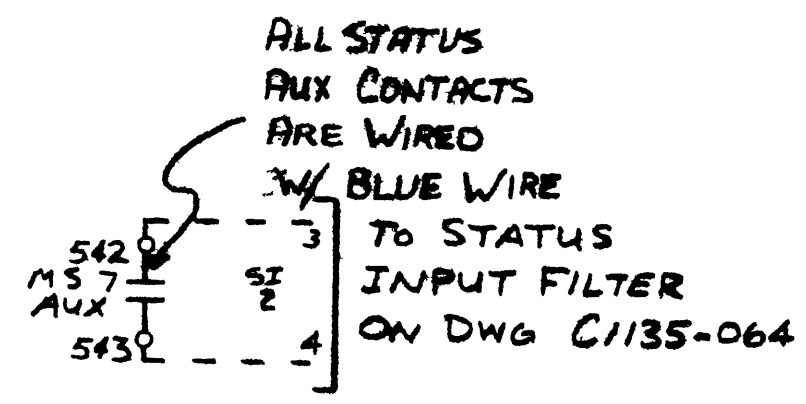
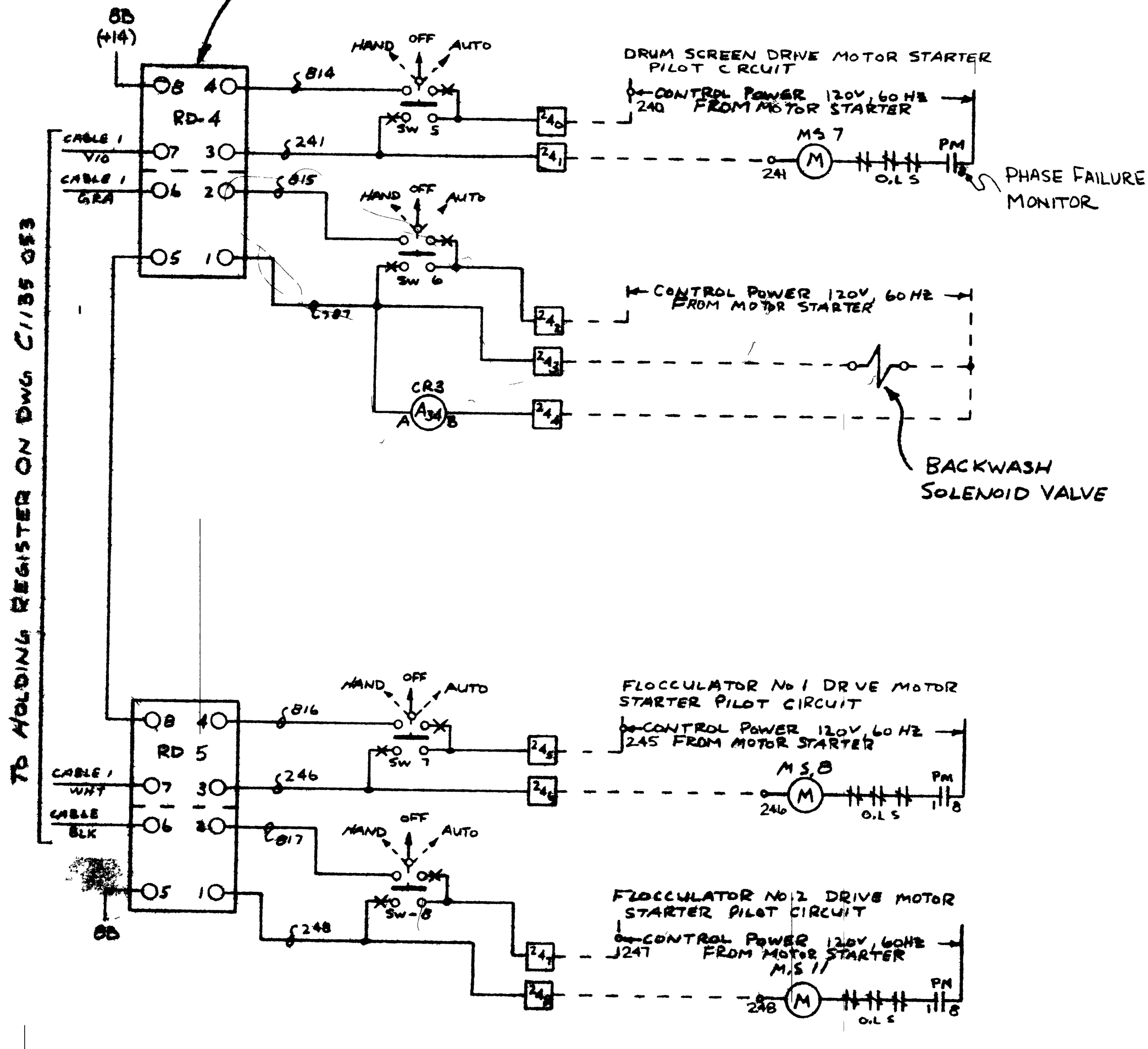
UNIT B1 & B2
CSO SUPERVISORY
PANEL

C	REVISED AS BU LT	4/2/78
B	REVISED	3/8/78
A	REVISED FOR APPROVAL	11/21/77

NOTE
CONTROL OF WASTEWATER PUMP BAR SCREEN HIGH HEAD LOSS & TIME CONTROLS ARE IMPLEMENTED IN MICROPROCESSOR SOFTWARE.

DATE 6/4/77		edison controls inc 250 E. W. AV. NOR H T PAUL, MINN.
SUPERIOR WISC DIST No 5 & No 6 1135		
WASTEWATER PUMPS & BAR SCREEN CONTROL WIRING		C1135-055

ECZ SOLID-STATE RELAY DRIVER
4 AMP 120 VOLT



TERMINALS 249 THRU 259 ARE NOT USED

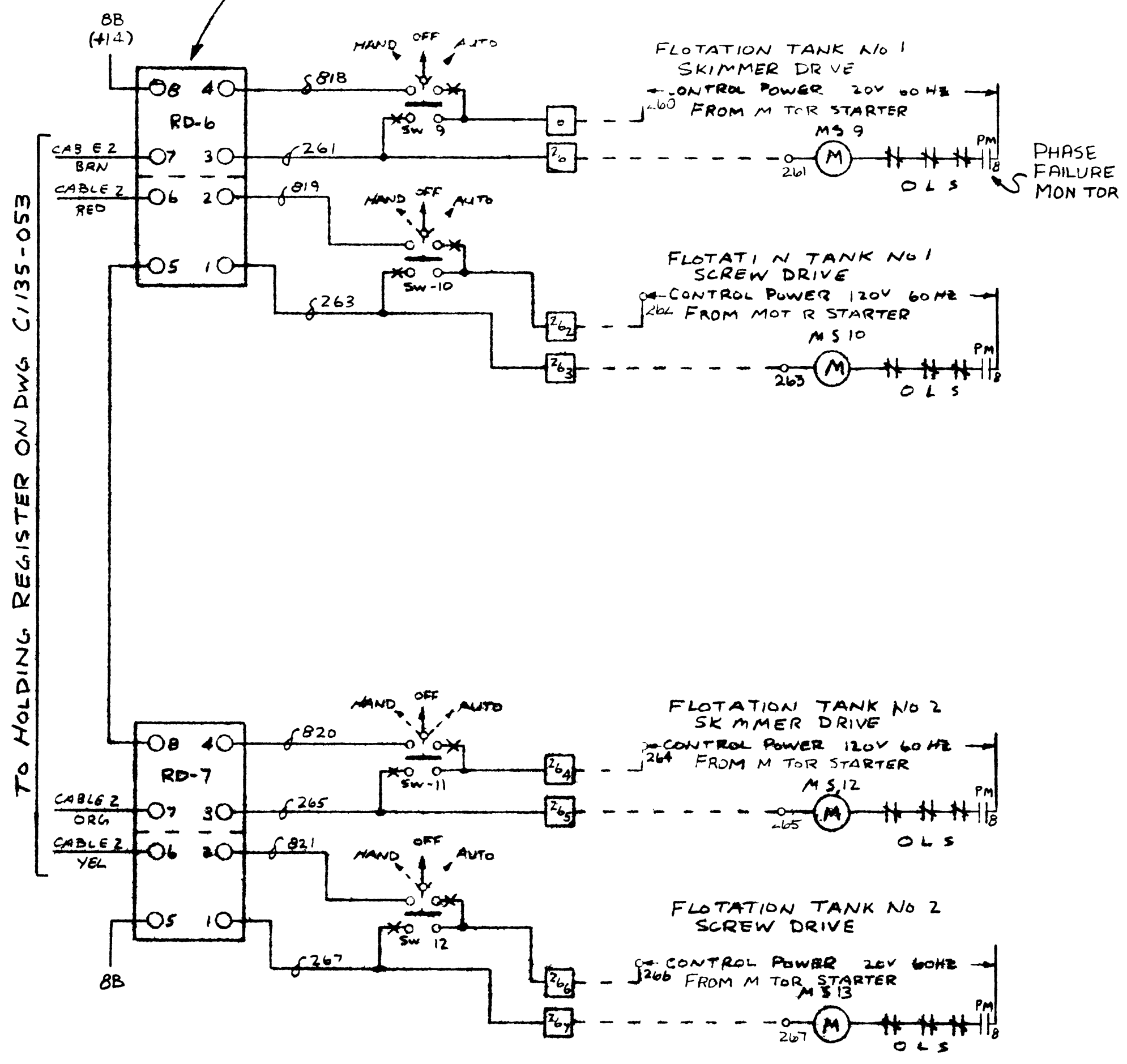
NOTE
CONTROL IMPLIMENTED IN MICROPROCESSOR SOFTWARE

UNIT B1 & B2
CSO SUPERVISORY PANEL

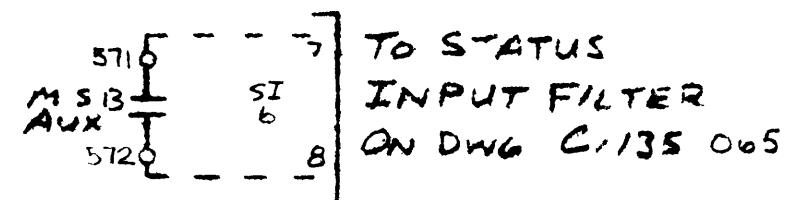
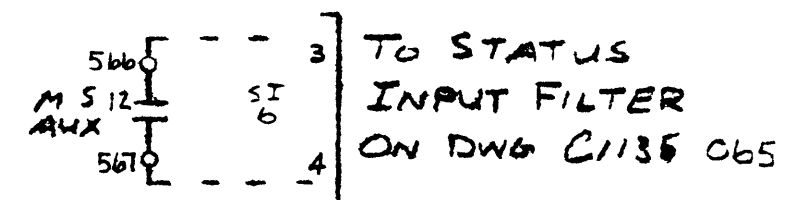
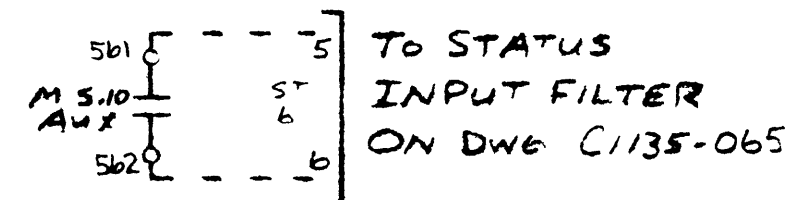
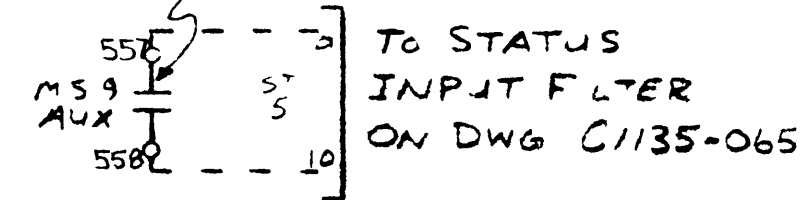
C	REVISED AS TRULY	4-12-78
B	REVISED	3-8-78
A	REVISED FOR RETRIEVAL	11-2-77

DESIGNED BY RED HAYNE	DATE 6-4-77	<p>edison controls inc. 3800 S. 7th Ave. Phoenix AZ 85018</p>	PROJECT NO. 1135
APPROVED BY	DATE		SCALE SUPERIOR WISC. DIST. No. 5 (No. 6)
TITLE FLOCCULATOR DRIVE, DRUM SCREEN DRIVE & DRUM SCREEN BACKWASH CONTROL W/ RINGER		DRAWING NO. C/135-056	

ECI SOLID-STATE
RELAY DRIVER
4 AMP 120VOLT



ALL STATUS
AUX CONTACTS
ARE W RED
W/ BLUE WRE



TERMINALS
268 & 269
ARE NOT USED

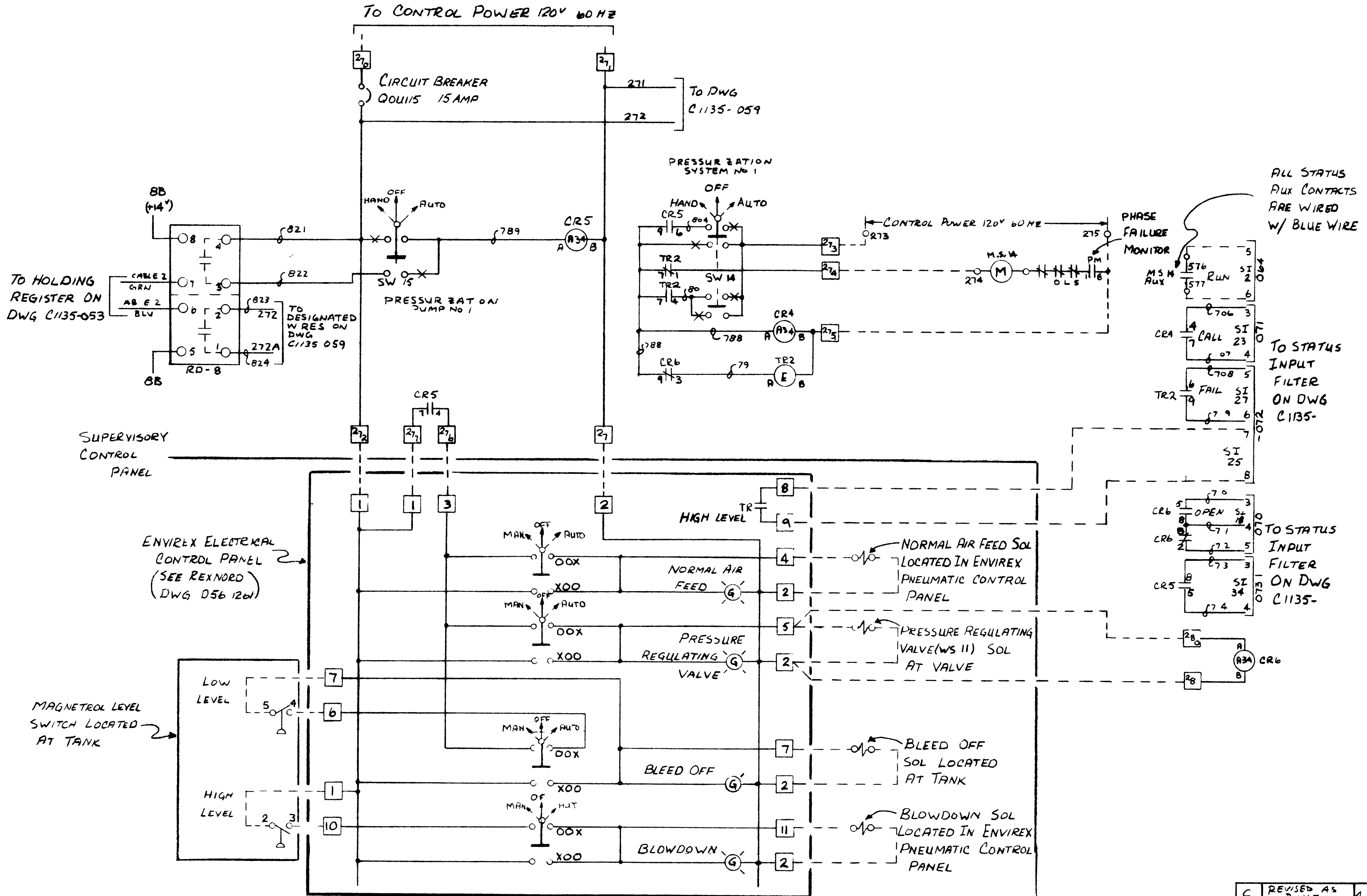
NOTE
TIME CONTROL OF EQUIPMENT
IMPLIMENTED IN MICRO
PROCESSOR SOFTWARE

UNIT B1 & B2
CSO SUPERVISORY
PANEL

C	REVISED AS BUILT	4-12-78
B	REVISED	3-8-78
A	REVISED FOR APPROVAL	11-21-77

DESIGNER RD TAYNE	DATE 6-4-77	 edison controls inc 2542 E. 7th AVE NORTH ST PAUL MN	PROJECT NO. 1135
CHECKED BY	DATE		DIST No 5 & No 6 SUPERIOR WISC FLOTATION TANK No 1 & No 2 SKIMMER & SCREW CONTROL WIRING
DRAWING NO. C/135-057			SHEET NO. C

TO CONTROL POWER 120V 60 HZ



ALL STATUS
AUX CONTACTS
ARE WIRED
W/ BLUE WIRE

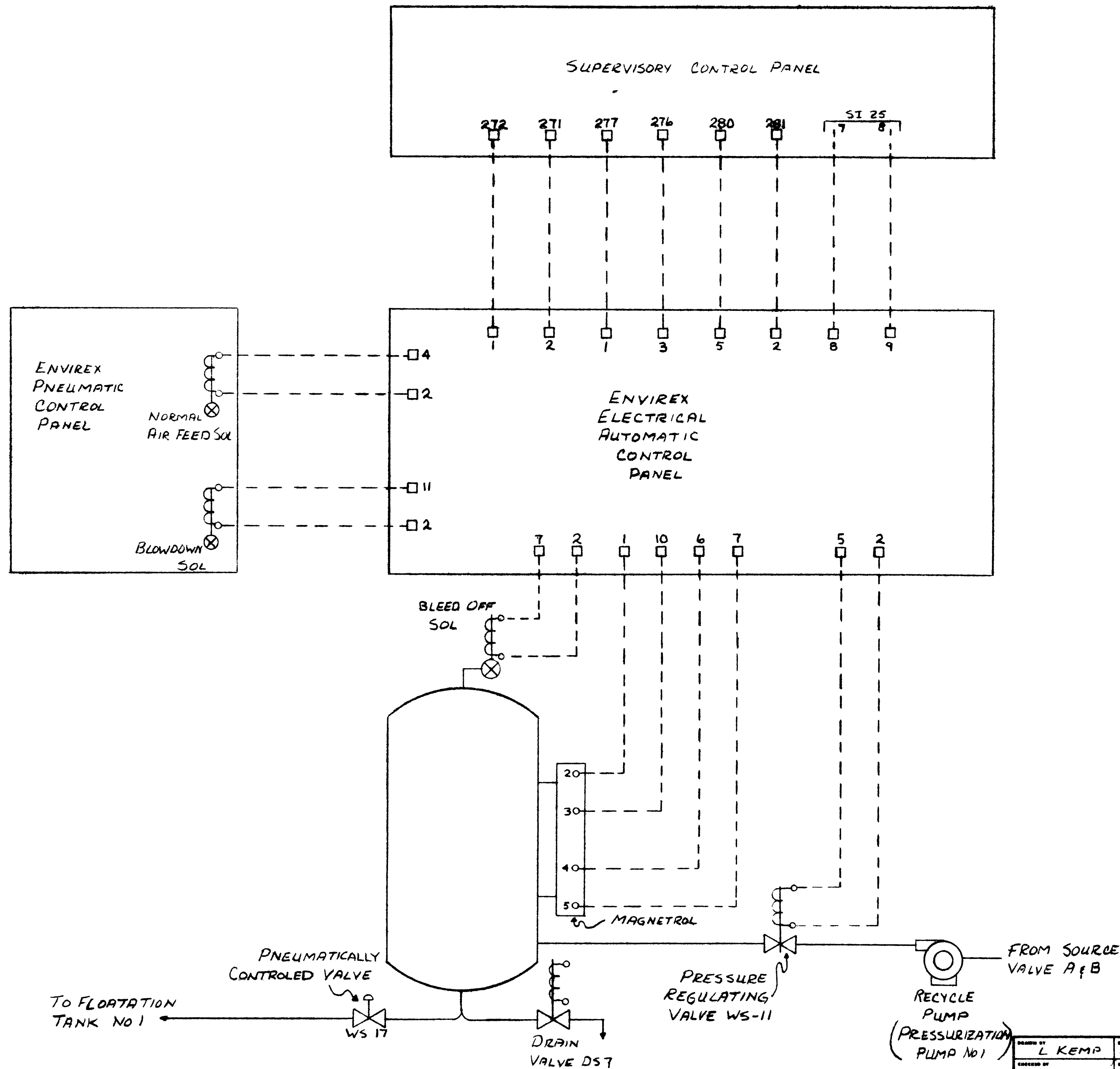
TO STATUS
INPUT
FILTER
ON DWG
C1135-

TO STATUS
INPUT
FILTER
ON DWG
C1135-

UNIT B1 & B2
CSO SUPERVISORY
PANEL

C	REVISED AS BUILT	4-12-78
B	REVISED	3-8-78
A	REVISED FOR INSTALLATION	11-17-77

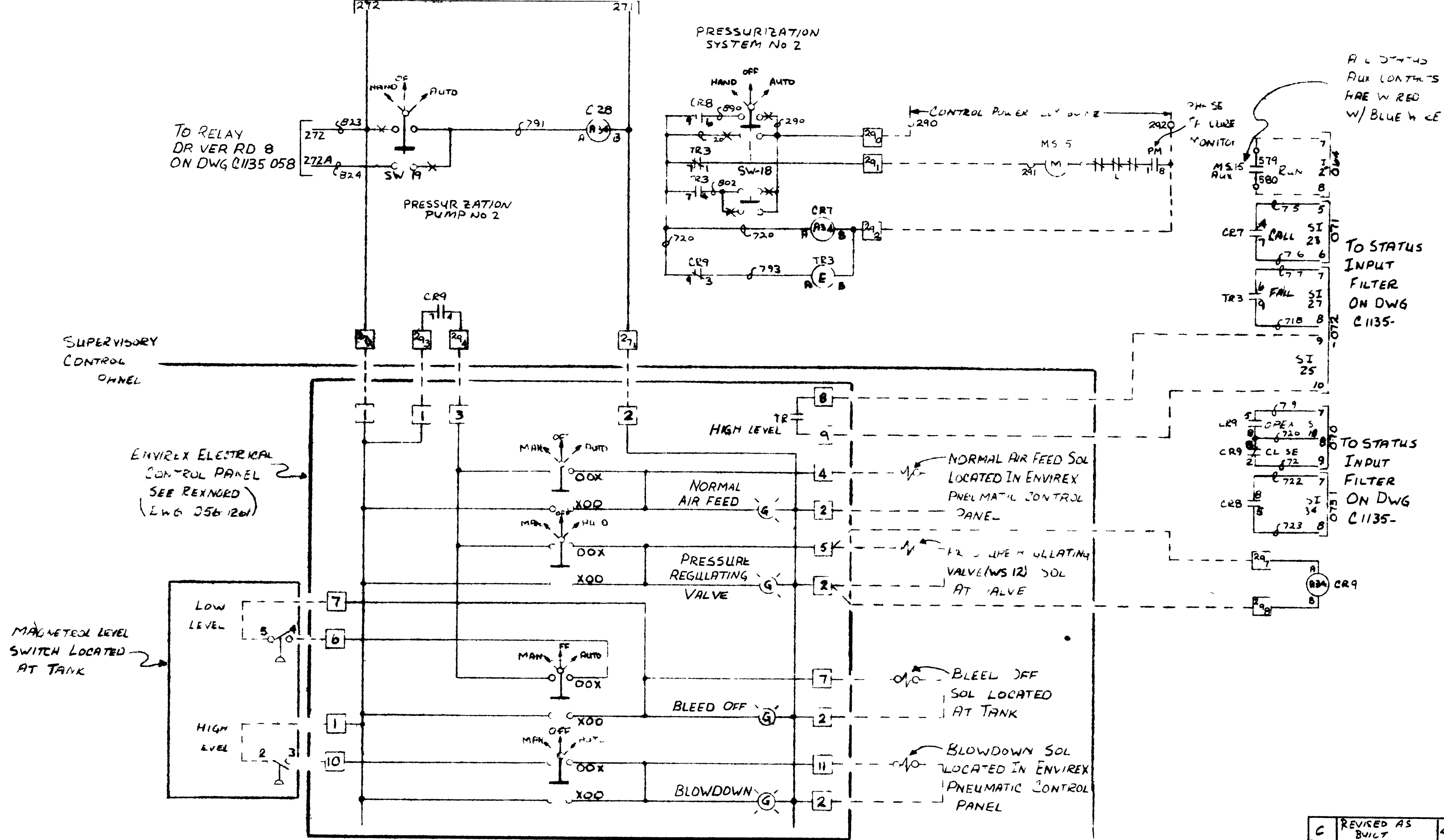
DESIGN L KEMP	DATE 11/17/77	 edison controls inc 503 E. W. AV. NOR H. T. PAUL, MISSOURI
CHECK NO.		
SUPERIOR WISC DIST NO 5 & NO 6		1135
PRESSURIZATION SYSTEM NO 1 CONTROL WIRING		C1135 058



UNIT B1 & B2
CSO SUPERVISORY
PANEL

DESIGNED BY L KEMP	DATE 11-12-77	 2842 E. 7th Ave North St. Paul, MN 55109
CHECKED BY	DATE	
APPROVED BY	DATE	PROJECT SUPERIOR WISC DISTRICT No 5 & No 6
TITLE PRESSURIZATION SYSTEM NO 1 CONTROL INTERCONNECTION WIRING		DRAWING NO. C1135-05B1

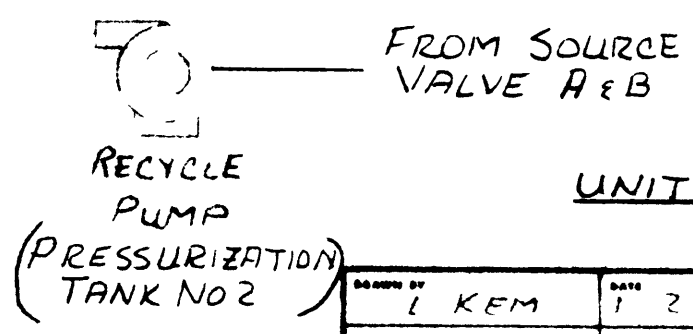
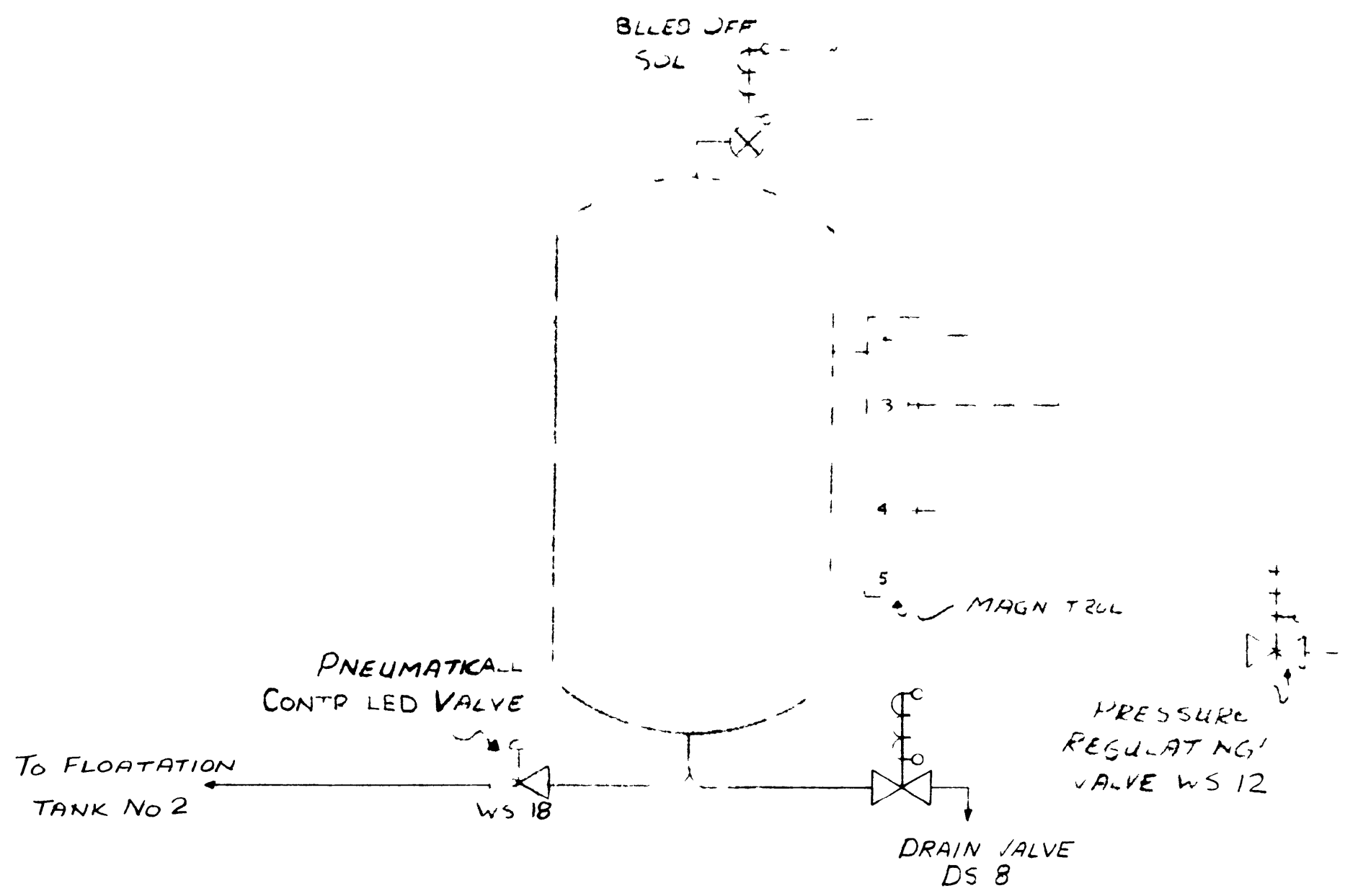
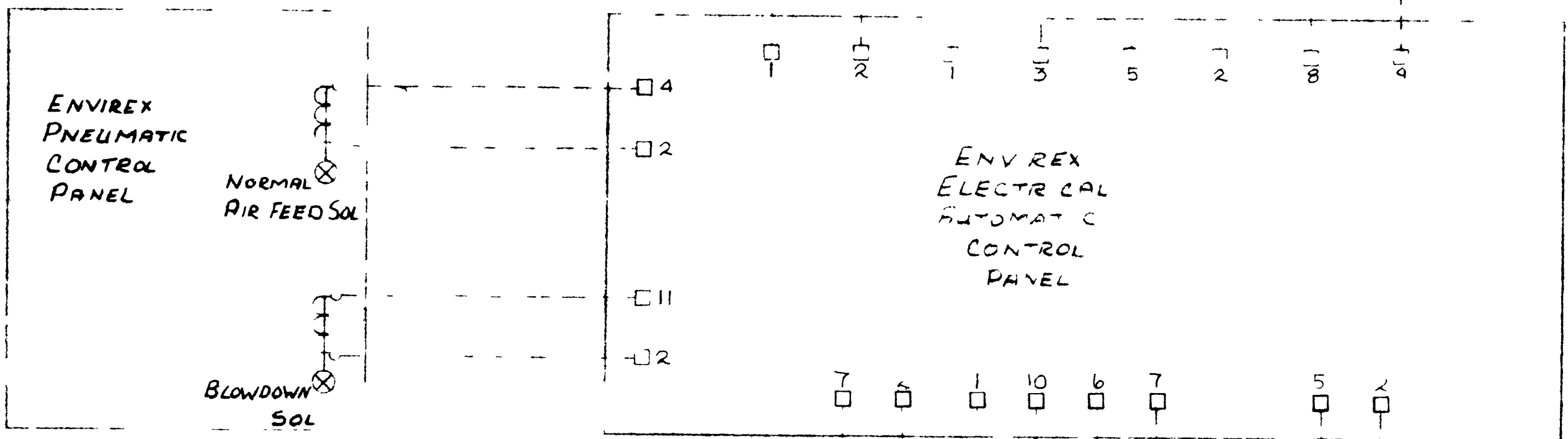
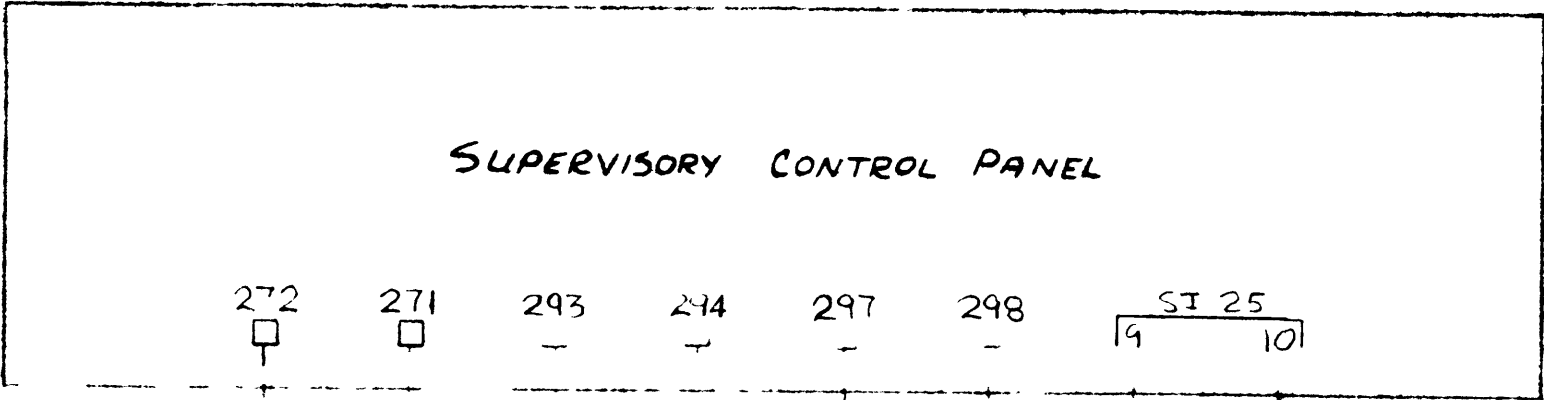
CONTINUED FROM DWG C1135 058



UNIT B1 & B2
CSO SUPERVISORY
PANEL

C	REVISED AS BUILT	4-12-78
B	REVISED	3-8-78
A	REVISED FOR INSTALLATION	11-14-77

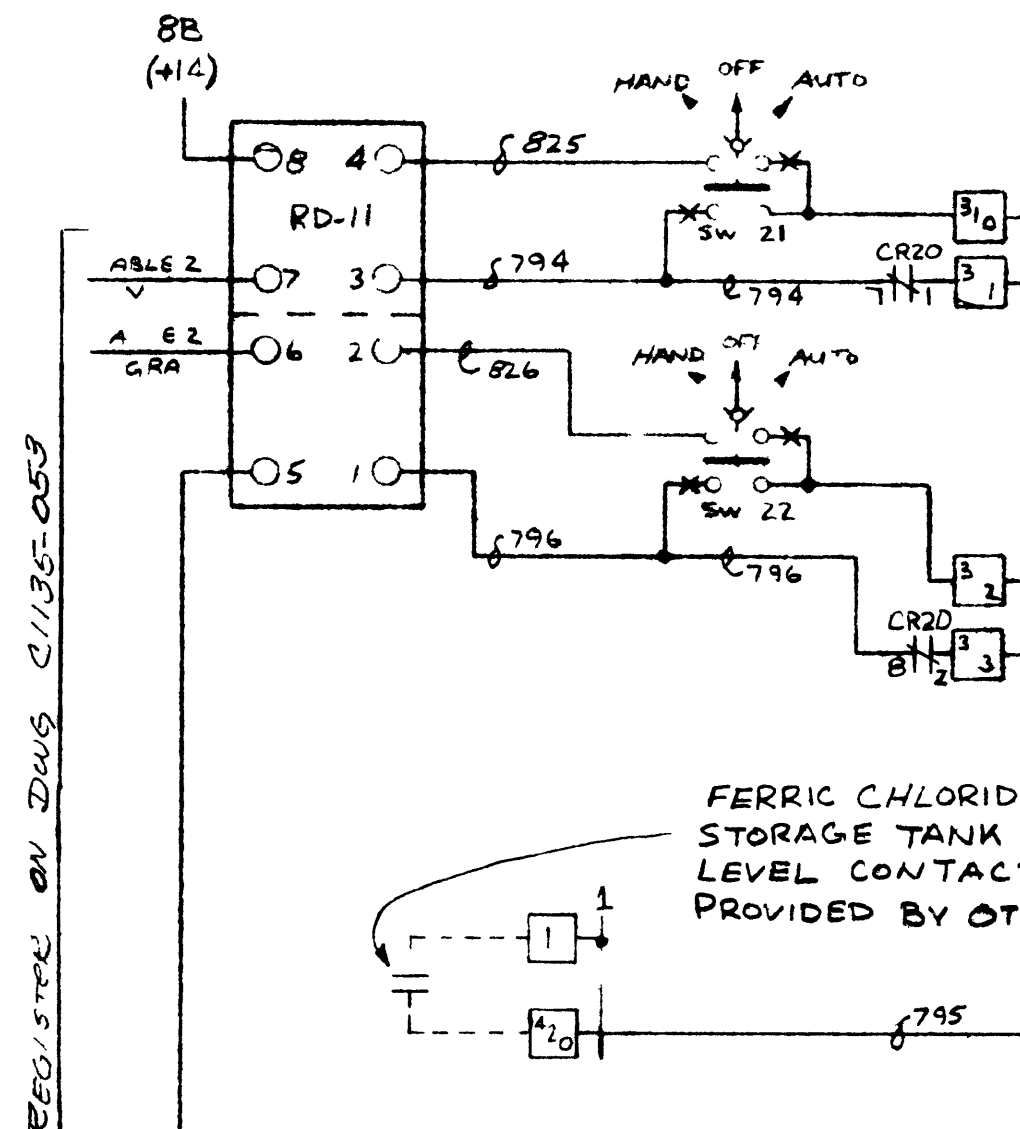
DESIGNED BY L KEMP	DATE 11-2-77		PROJECT NAME SUPERIOR WISC	PROJECT NO. 1135
APPROVED BY	DATE		UNIT NO LIT NO 5 NO 6	
TITLE PRESSURIZATION SYSTEM NO 2 CONTROL WIRING		SHEET NO. L1135 059	PAGE NO. C	



UNIT B1 & B2
CSO SUPERVISORY PANEL

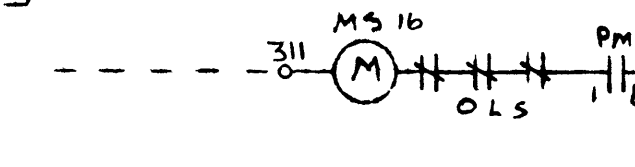
DRAWN BY I. KEM	DATE 1 27 77	edison controls inc <small>2808 E. 7TH AVE. NORTH T. PAUL, MINN.</small>	VISIONS
PROJECT	NO.	SUPERDR WIX DISTRICT NO 5; NO 6	1135
TITL PRESSURIZATION SYSTEM NO 2 CONTROL INTERCONNECTION WIRING		NO. 1135-0591	0

FERRIC CHLORIDE STORAGE TANK LOW LEVEL CONTACT BY OTHERS



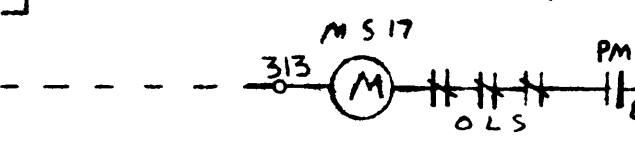
FERRIC CHLORIDE PUMP No 1 MOTOR STARTER PILOT CIRCUIT

CONTROL POWER 120V 60 HZ FR M MOTOR STARTER

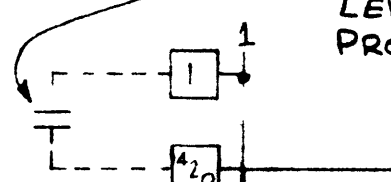


FERRIC CHLORIDE PUMP No 2 MOTOR STARTER PILOT CIRCUIT

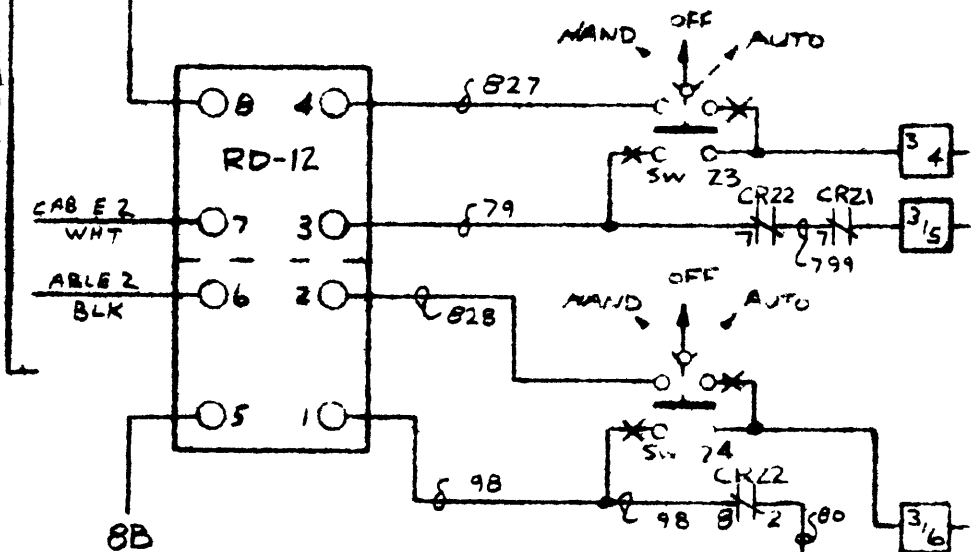
CONTROL POWER 120V 60 HZ FR M MOTOR STARTER



FERRIC CHLORIDE STORAGE TANK LOW LEVEL CONTACT PROVIDED BY OTHERS

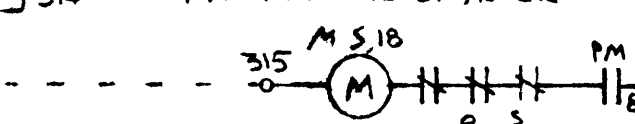


TO HOLDING REGISTER ON DWG C1135-059



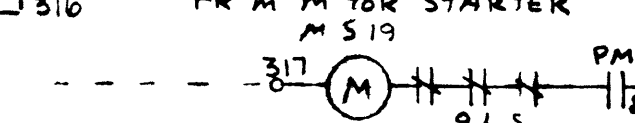
POLYMER PUMP No 1 MOTOR STARTER PILOT CIRCUIT

CONTROL POWER 120V 60 HZ FR M MOTOR STARTER



POLYMER PUMP No 2 MOTOR STARTER PILOT CIRCUIT

CONTROL POWER 120V 60 HZ FR M MOTOR STARTER



POLYMER STORAGE BIN LOW LEVEL CONTACT



POLYMER SOLUTION CHAMBER LOW LEVEL CONTACT

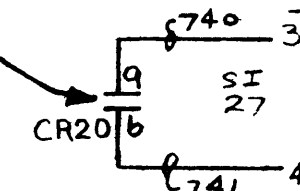
NOTES

- 1) FERRIC CHLORIDE 4-20 MA PACE SIGNAL IS SHOWN ON DWG C1135-043
- 2) AUTO START/STOP CONTROL & FAILURE CIRCUITRY ARE IMPLEMENTED IN MICROPROCESSOR SOFTWARE

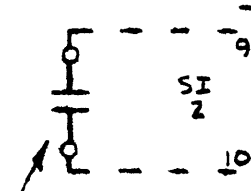
Flow SWITCH BY OTHERS

SWITCHES BY WALDOR PUMP

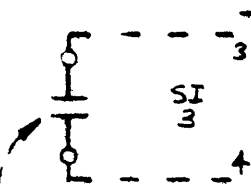
POLYMER STORAGE BIN LOW LEVEL CONTACT



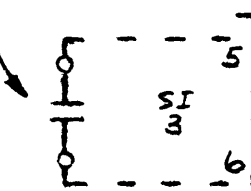
TO STATUS INPUT FILTER ON DWG C1135-072



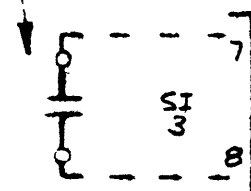
TO STATUS INPUT FILTER ON DWG C1135-064



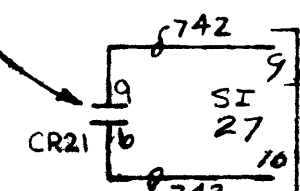
TO STATUS INPUT FILTER ON DWG C1135-064



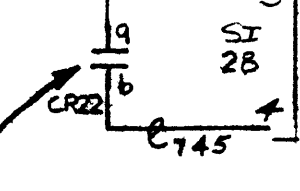
TO STATUS INPUT FILTER ON DWG C1135-064



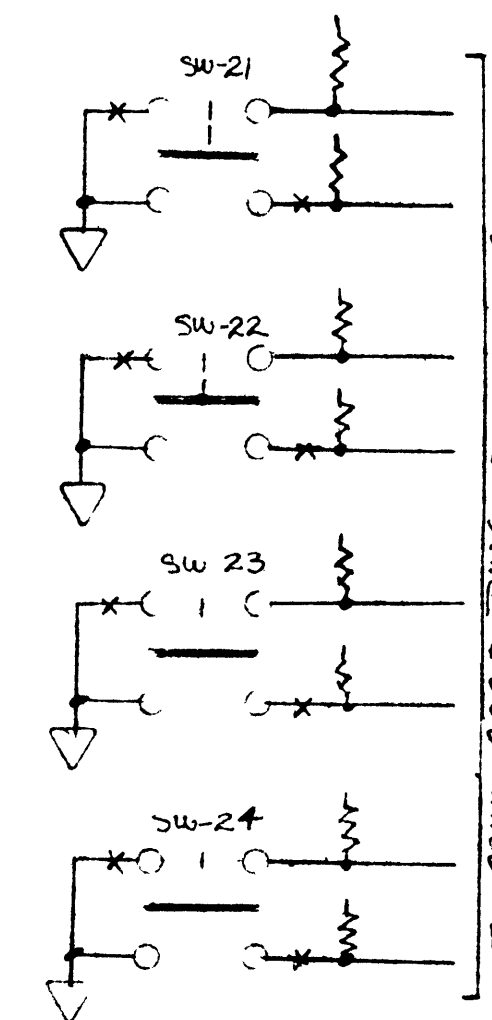
TO STATUS INPUT FILTER ON DWG C1135-064



TO STATUS INPUT FILTER ON DWG C1135-072



POLYMER SOLUTION CHAMBER LOW LEVEL CONTACT



TO MAIN CARD DWG C1135-074

TERMINALS 318 & 319 ARE NOT USED

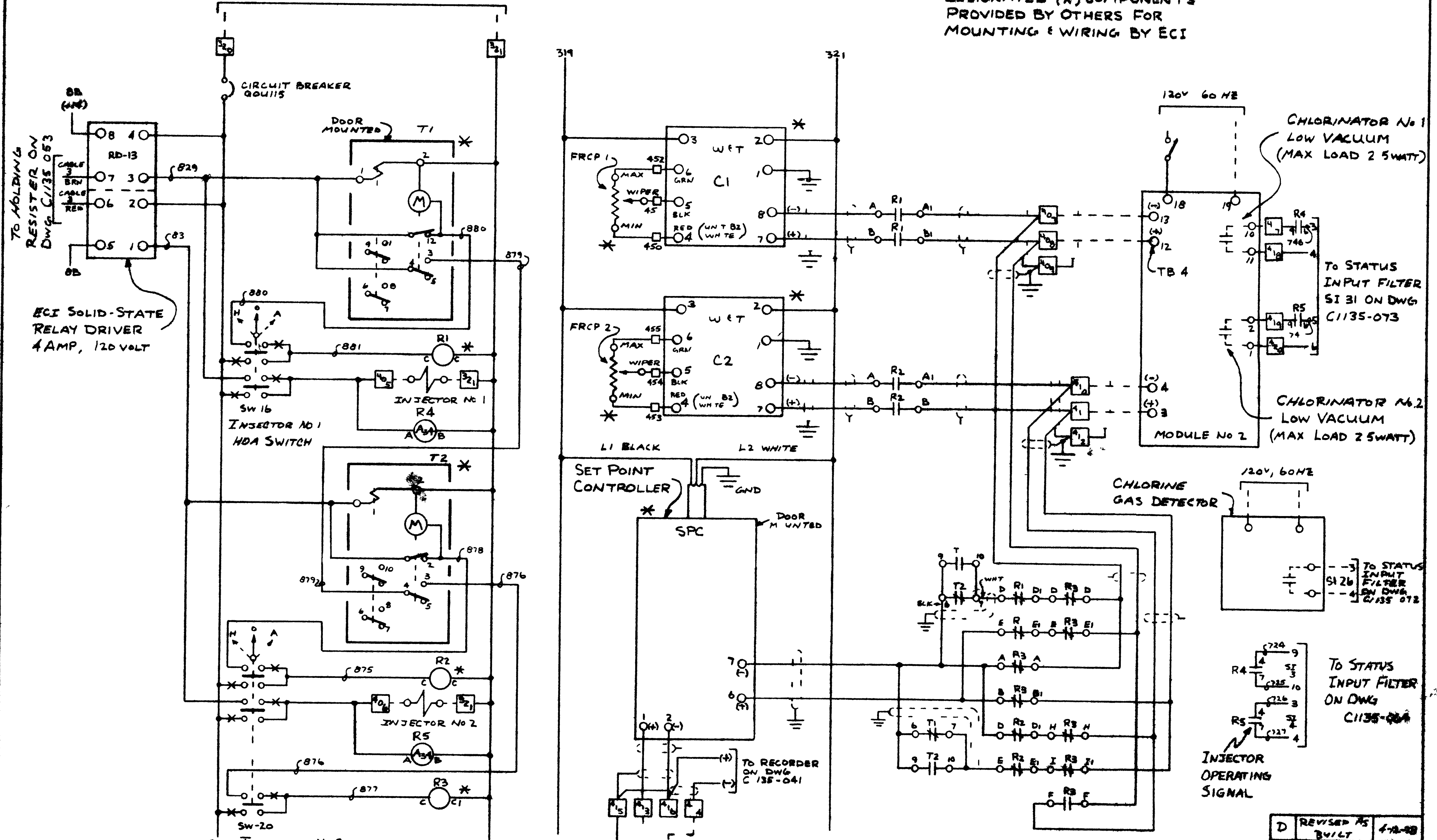
UNIT B1E2
CSO SUPERVISORY PANEL

C	REVISED AS BUILT	4-12-78
B	REVISED	3-8-78
A	REVISED FOR APPROVAL	11-21-77

DESIGNED BY Ed Mayne	DATE 6-6-77		PROJECT NO. SUPERIOR WISC DIST No. 5 & No. 6	PROJECT NO. 1135
CHECKED BY	DATE			
FERRIC CHLORIDE & POLYMER PUMPS No 1 & No 2 CONTROL WIRING			DWG NO. C1135-060	

CHLORINE CONTROL
INCOMING POWER 120V 60 HZ

NOTE:
DESIGNATED (*) COMPONENTS
PROVIDED BY OTHERS FOR
MOUNTING & WIRING BY ECI



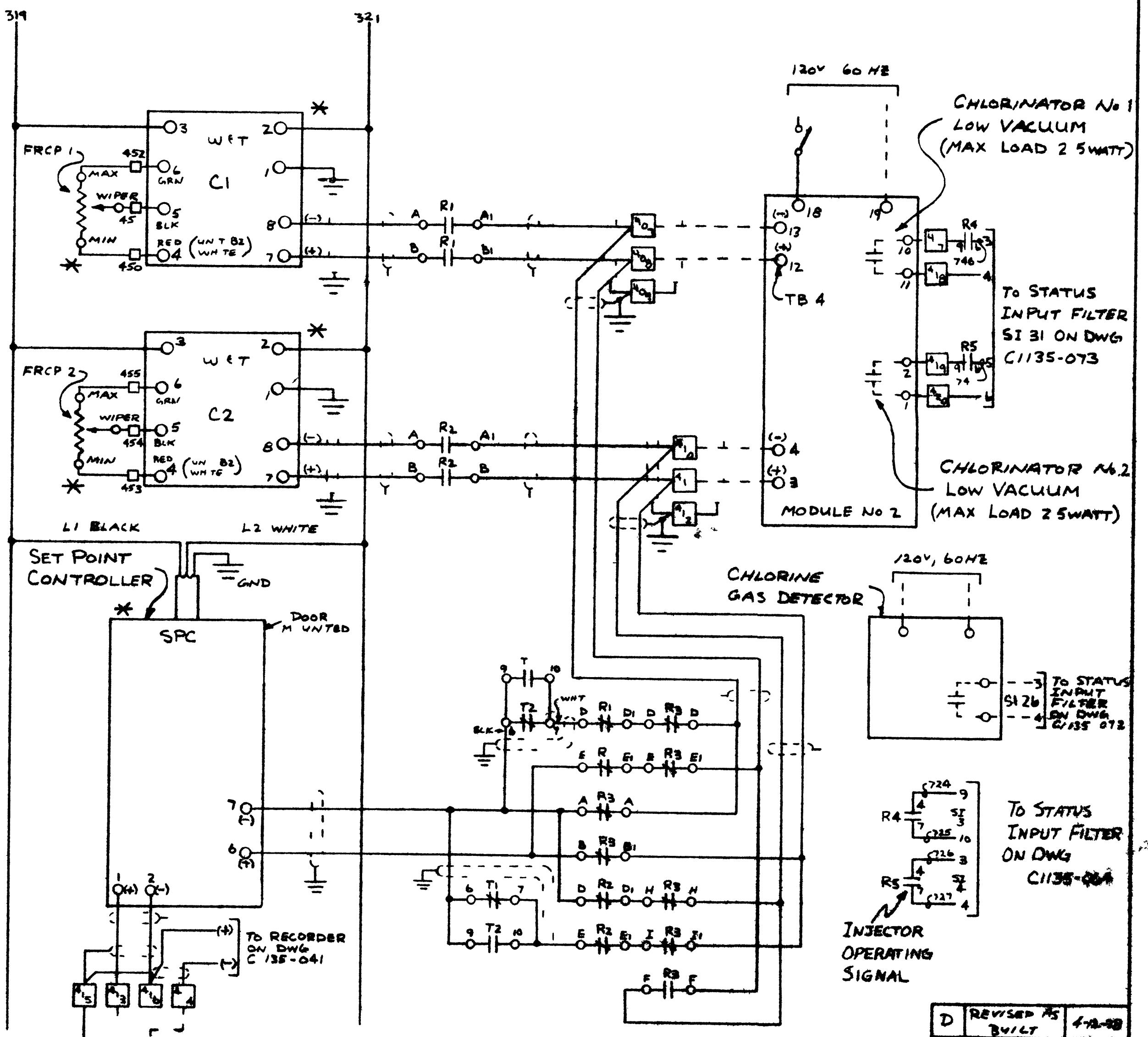
TO HOLDING
RESISTOR ON
DWG. C/135-053

ECI SOLID-STATE
RELAY DRIVER
4 AMP, 120 VOLT

319 INJECTOR No 2
HDA SWITCH

C	C1
A B	D E
F G	H I
A G	M D
A B	S B

RELAYS R1, R2 & R3
ARE ALLEN BRADLEY
700 TYPE N



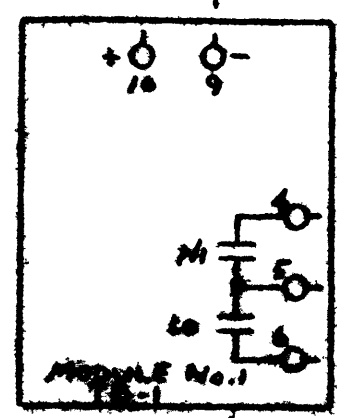
CHLORINATOR No 1
LOW VACUUM
(MAX LOAD 2.5 WATT)

CHLORINATOR No 2
LOW VACUUM
(MAX LOAD 2.5 WATT)

CHLORINE
GAS DETECTOR

TO STATUS
INPUT FILTER
ON DWG
C/135-054

INJECTOR
OPERATING
SIGNAL



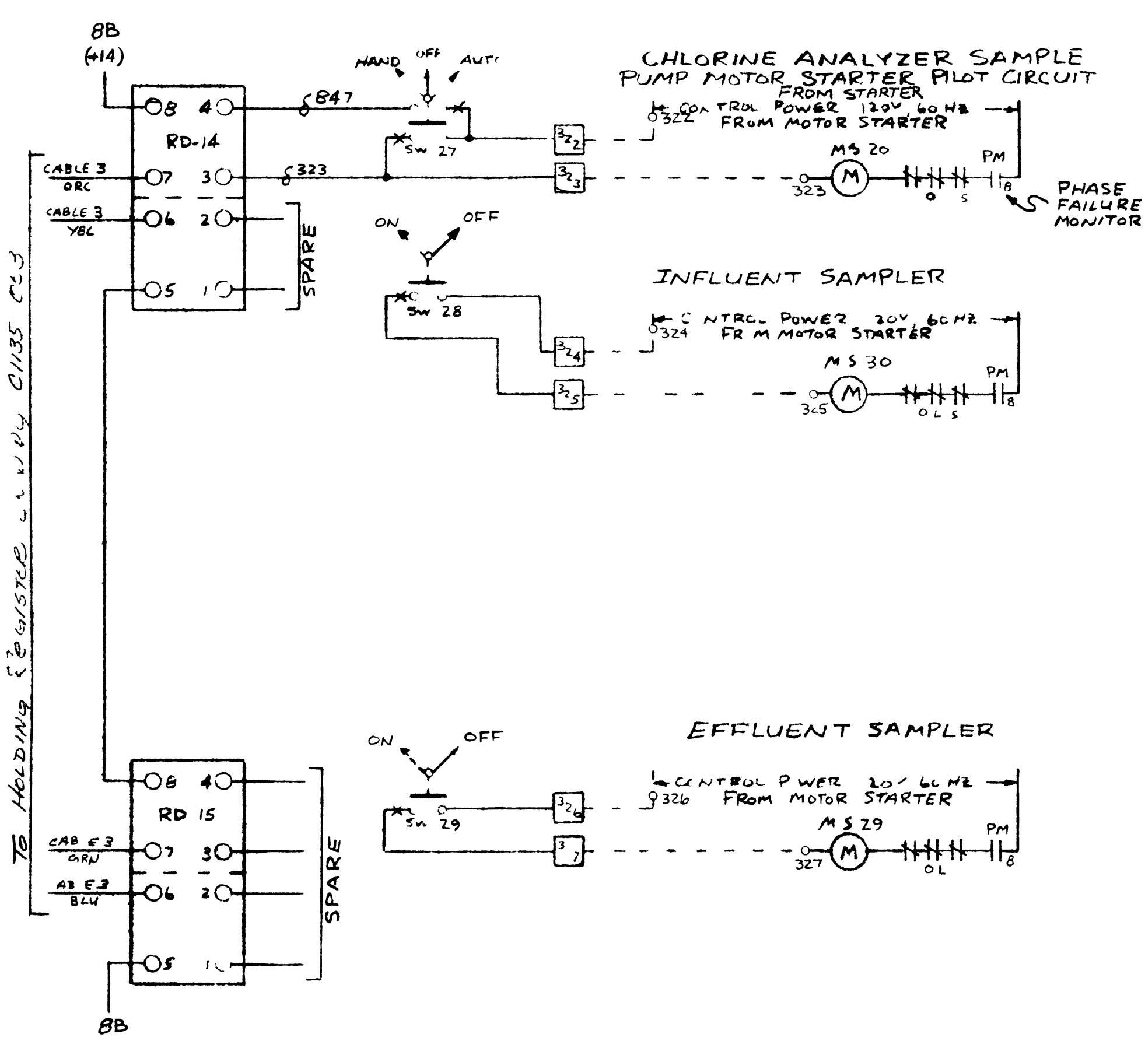
TO STATUS INPUT
FILTER ON DWG
C/135-072

UNIT B1 & B2
CSO SUPERVISORY
PANEL

D	REVISED AS BUILT	4-2-78
C	REVISED	3-8-78
B	REV. FOR INSTALLATION	11-77
A	C/135-061 REV. 11-77	9-8-77

edison controls inc.
SUPERIOR, WISC. 1135

CHLORINE CONTROL
C/135-061



ALL STATUS
AUX CONTACTS
ARE WIRED
W/ BLUE WIRE

MS 20
AUX

0596 - 7
RUN SI 24
0597 - 8

TO STATUS
INPUT FILTER
ON DWG C1135-071

MS 30
AUX

0600 - 7
RUN SI 23
0602 - 8

TO STATUS
INPUT FILTER
ON DWG C1135-071

MS 29
AUX

0606 - 7
RUN SI 23
0607 - 8

TO STATUS
INPUT FILTER
ON DWG C1135-071

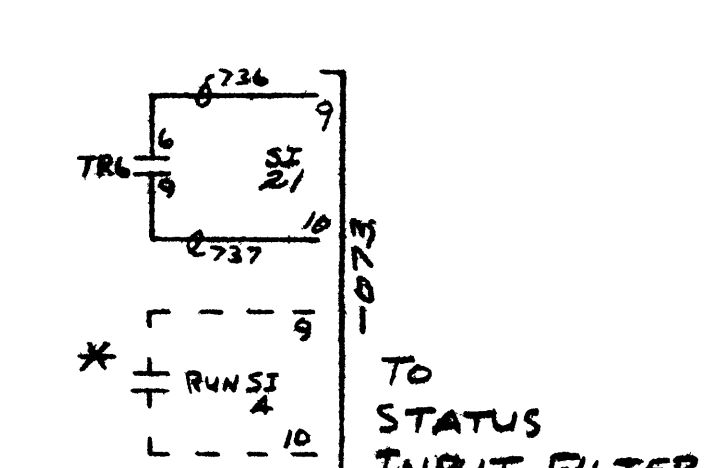
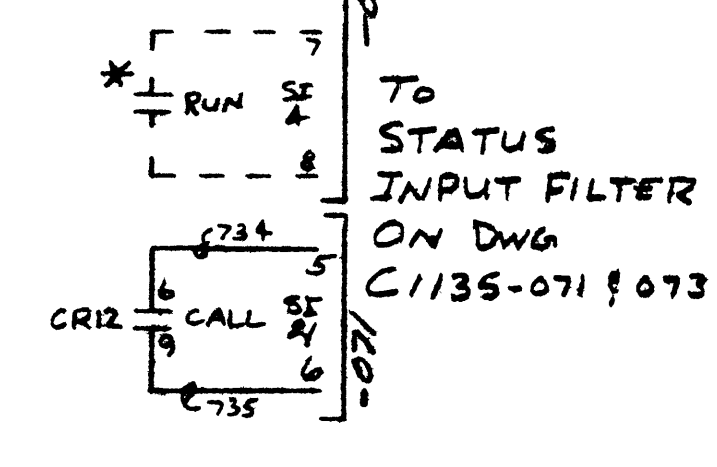
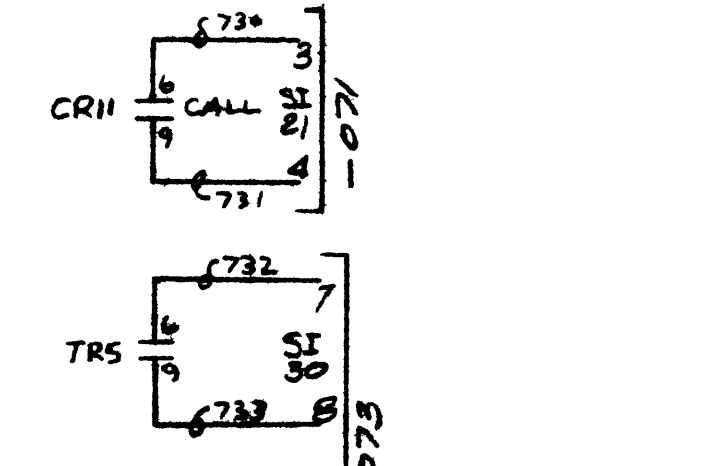
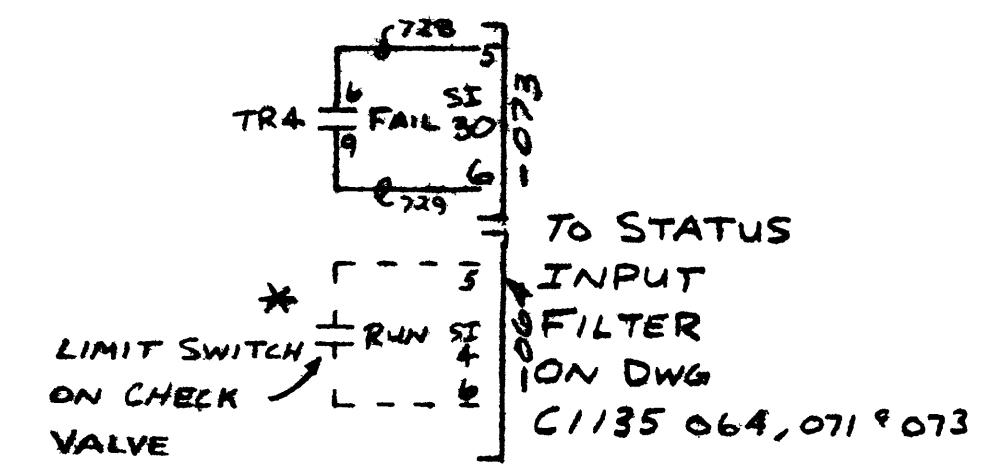
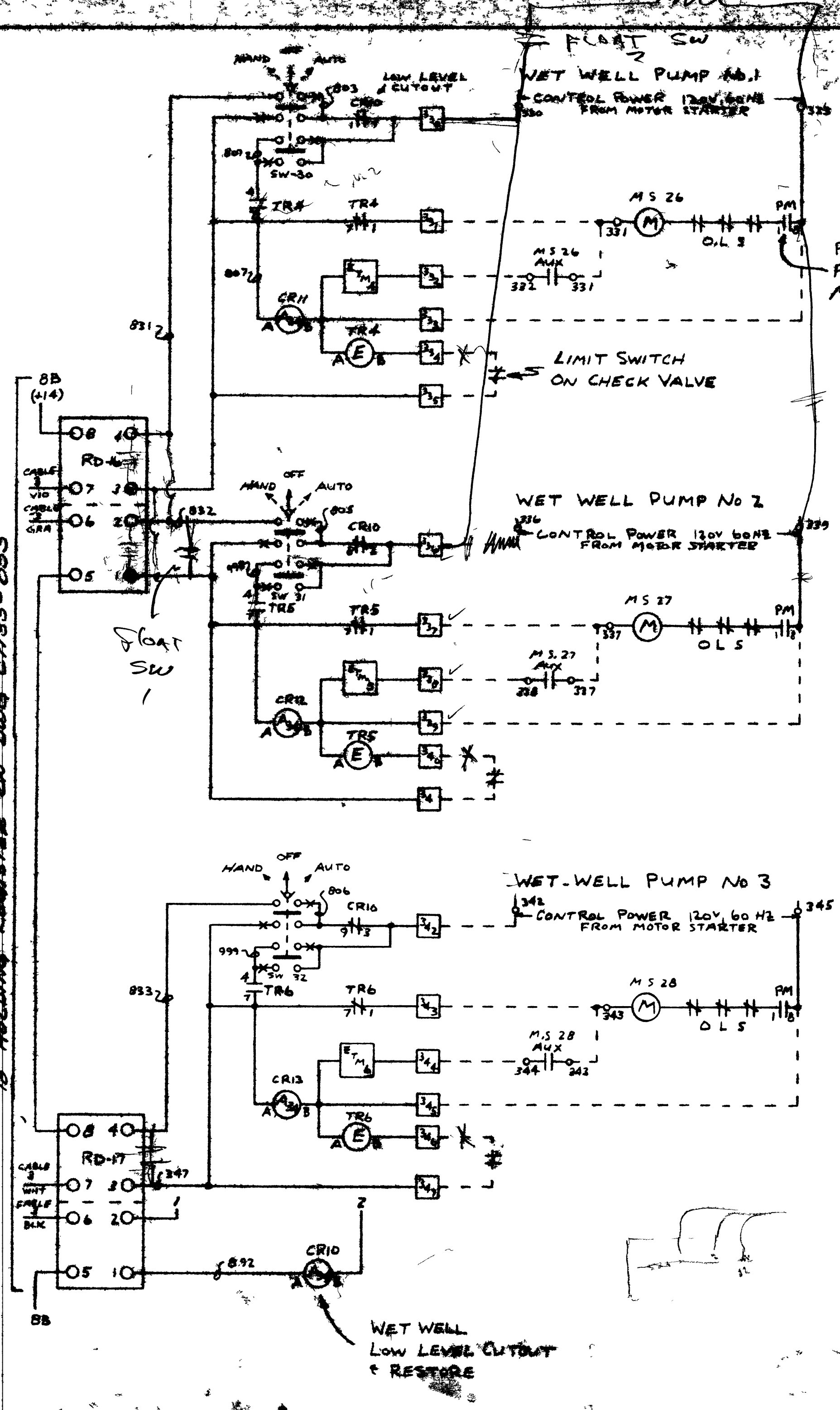
TERMINALS
328 & 329
ARE NOT USED

UNIT BLE B2
CSO SUPERVISORY
PANEL

REVISIONS		
D	REVISED	11-28-78
C	REVISED AS BUILT	4-12-78
B	REVISED	3-8-78
A	REVISED FOR APPROVAL	11-21-77

DESIGNED BY RD/ADVE	DATE 6-6-77	 edison controls inc 2540 7th AVE NORTH ST. PAUL, MN 55109	PROJECT NO. 1135
APPROVED BY	DATE		PROJECT BY SUPERIOR WISC
DATE		FOR CHLORINE ANALYZER SAMPLE PUMP CONTROL WIRING	
		DRAWING NO. C1135-062	

TO HOLDING REGISTER ON DWG CH35-053



TERMINALS 348 & 349 ARE NOT USED

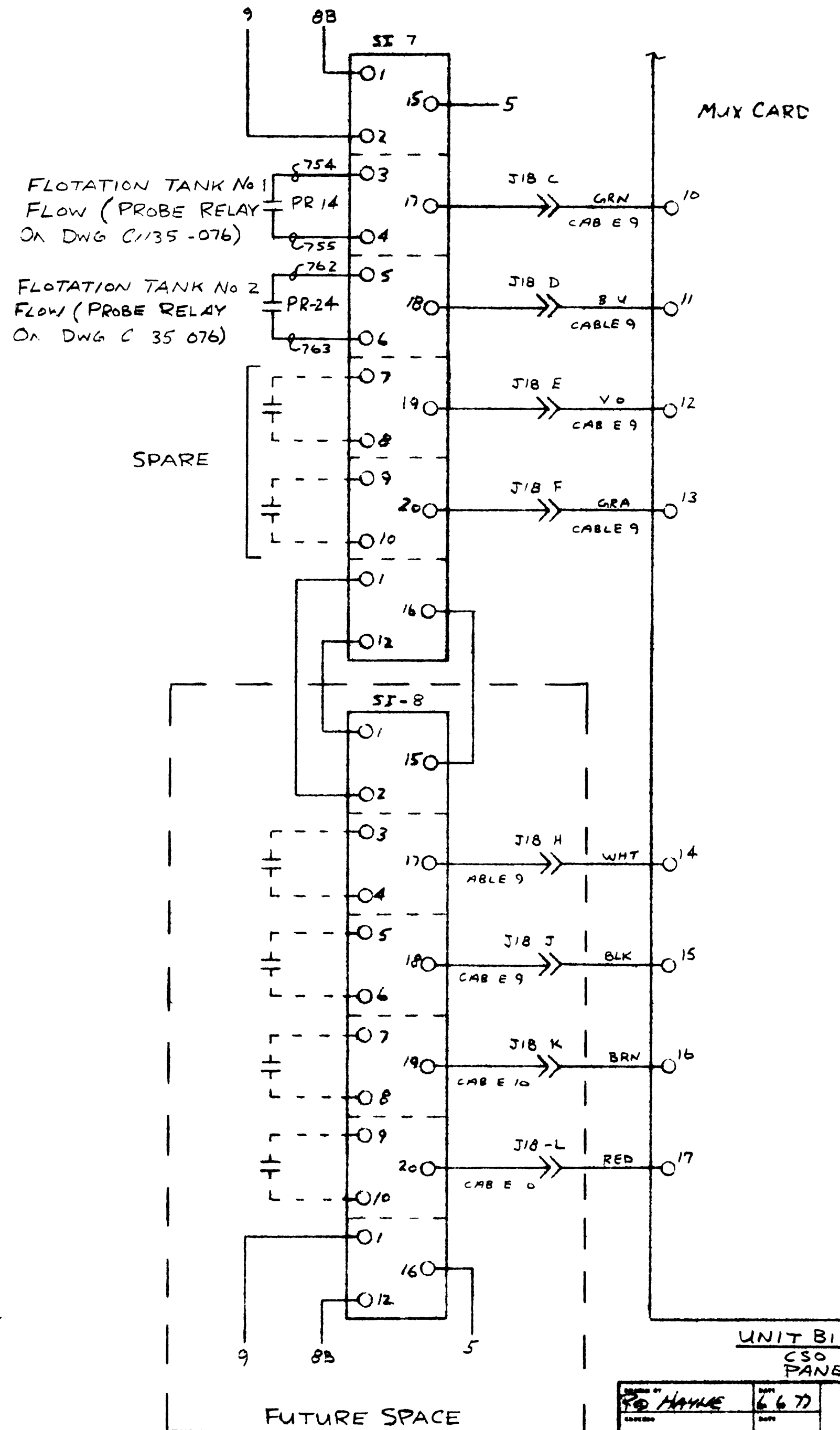
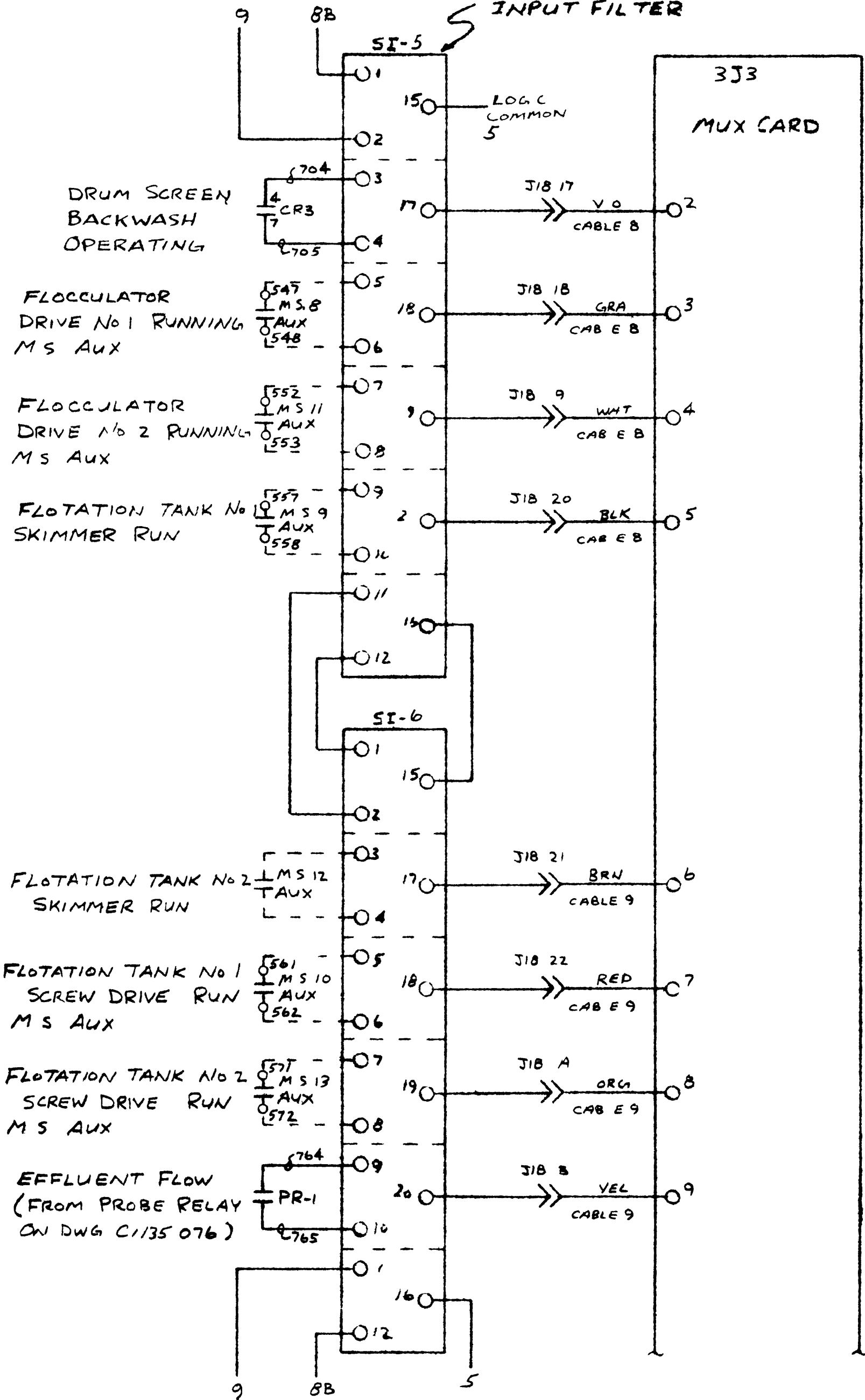
60

UNIT B1 & B2
 CSO SUPERVISORY PANEL

C	REVISED AS BUILT	11-10-73
B	REVISED	5-8-73
A	REVISED FOR APPROVAL	11-04-73

DRAWN BY RD HAYNE DATE 6-6-73		edison controls inc. <small>2800 S. FRANKLIN, MILWAUKEE, WIS. 53207</small>
APPROVED BY DATE 	PROJECT NAME SUPERIOR, WISC.	PROJECT NO.
TITLE WET WELL PUMP No. 1, No. 2 & No. 3 CONTROL		DWG NO. C1135-063

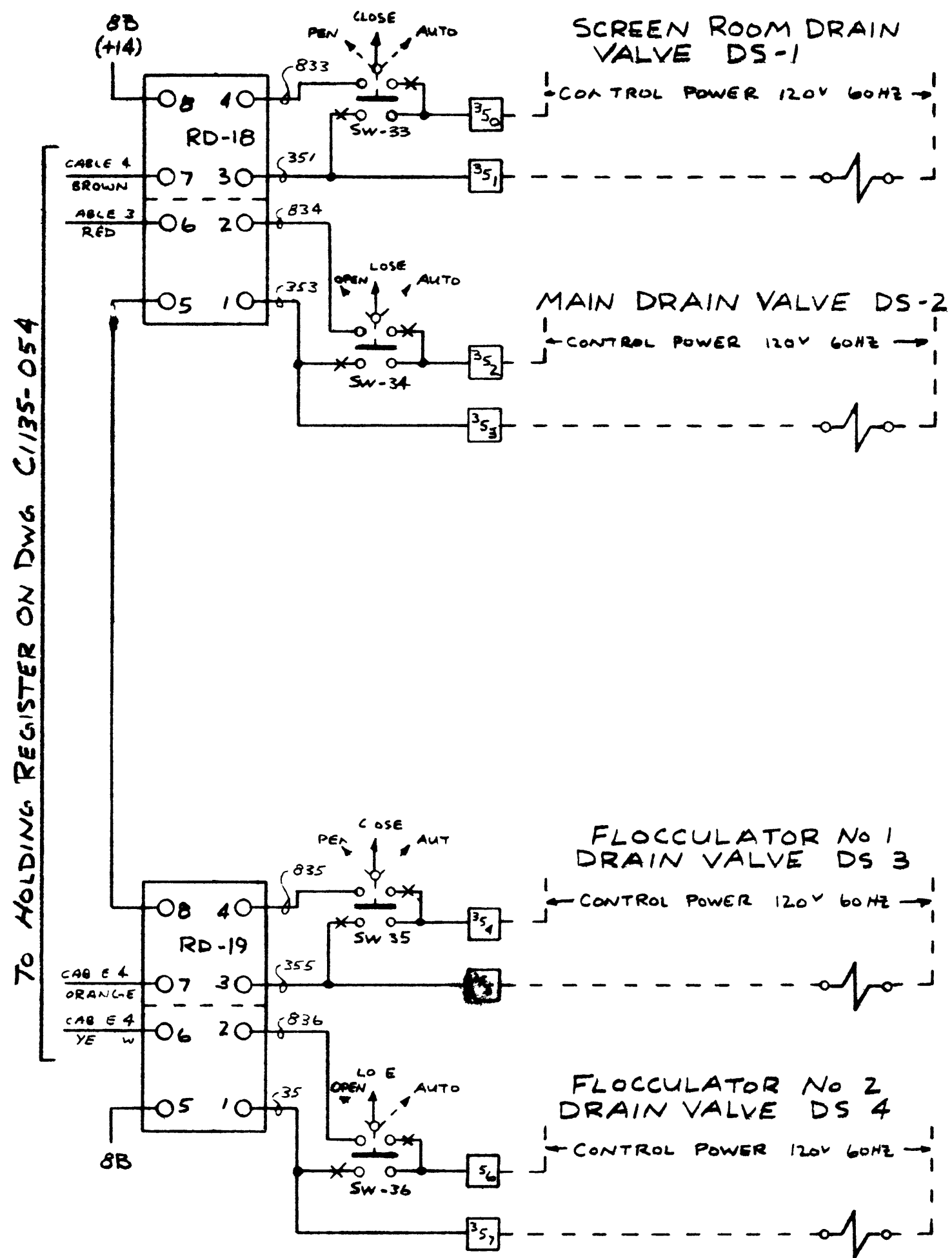
ECI STATUS
INPUT FILTER



UNIT B1 & B2
CSO SUPERVISORY
PANEL

C	REVISED AS BUILT	4-12-78
B	REVISED	3-8-78
A	REVISED FOR APPROVAL	11-21-77

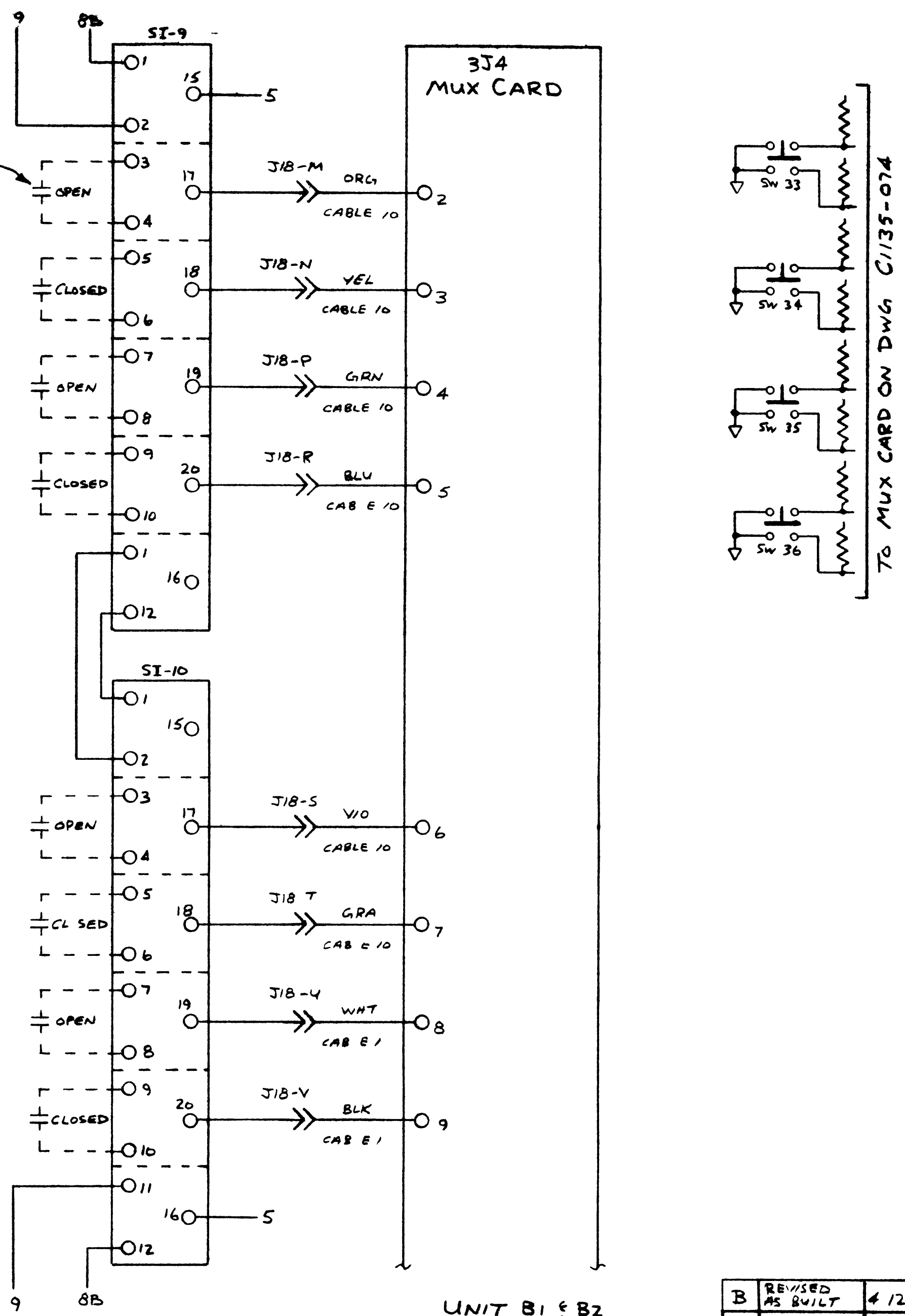
DESIGNED BY PO HAYNE	DATE 6-6-77	EDISON CONTROLS INC. 2600 E. 7 TH AVE., NORTH ST. PAUL, MINN.
APPROVED BY	PROJECT NO. SUPERIOR WISC DIST No 5 ENo. 6	PROJECT OR. 1135
STATUS INPUT WIRING		EDISON C/135-065



TO HOLDING REGISTER ON DWG C/135-054

NOTE
VALVE CONTROL & FAILURE LOGIC IS IMPLIMENTED IN MICROPROCESSOR SOFTWARE

LIMIT SWITCH ON VALVE

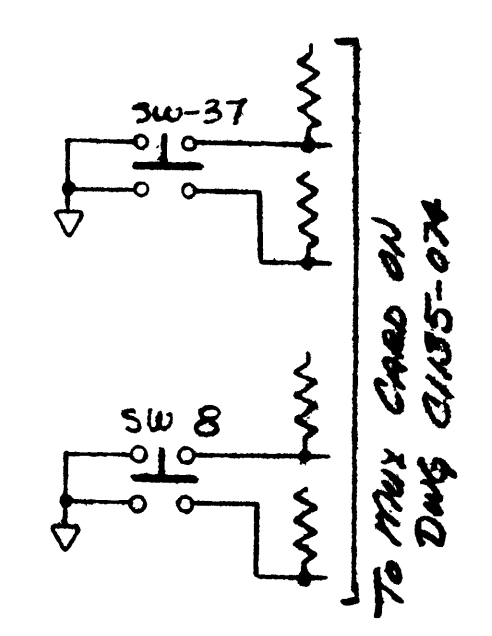
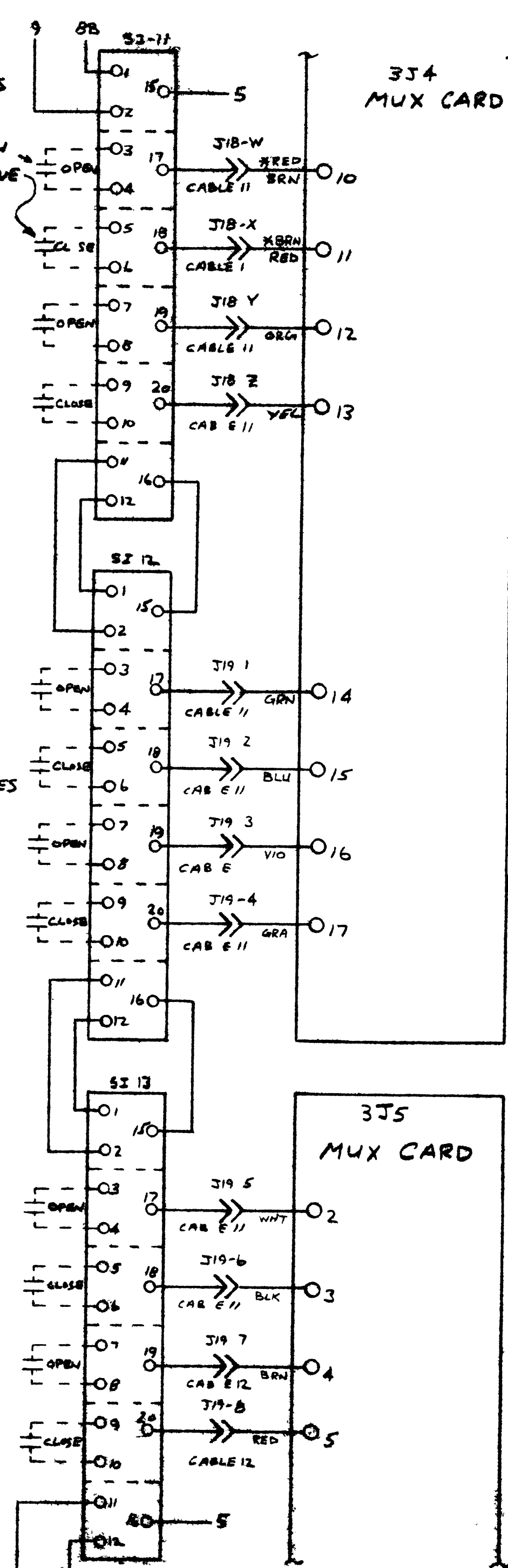
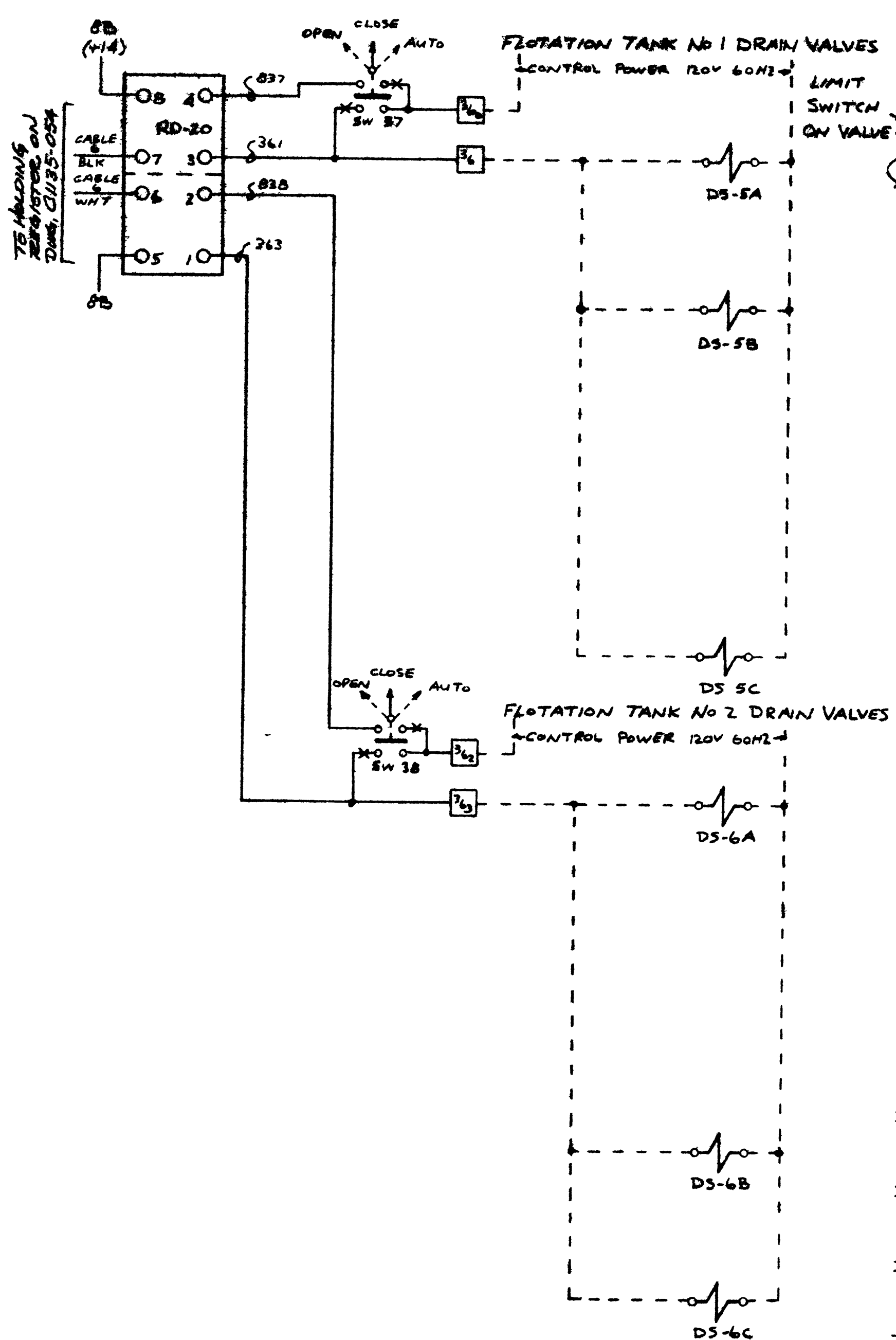


TERMINALS 358 & 359 ARE NOT USED

UNIT B1 & B2
CSO SUPERVISORY PANEL

B	REVISED AS BUILT	4 12 78
A	REVISED	3 8-78

DESIGNED BY RED HAYNE	DATE 6-7-77	 edison controls inc 2542 E. 7th AV NORTH T. PAUL MINN.	PROJECT NO. SUPERIOR, WISC DIST No. 5 & No. 6	DRAWING NO. 1135
APPROVED BY	DATE			
VALVE CONTROL WIRING			C/135-066	



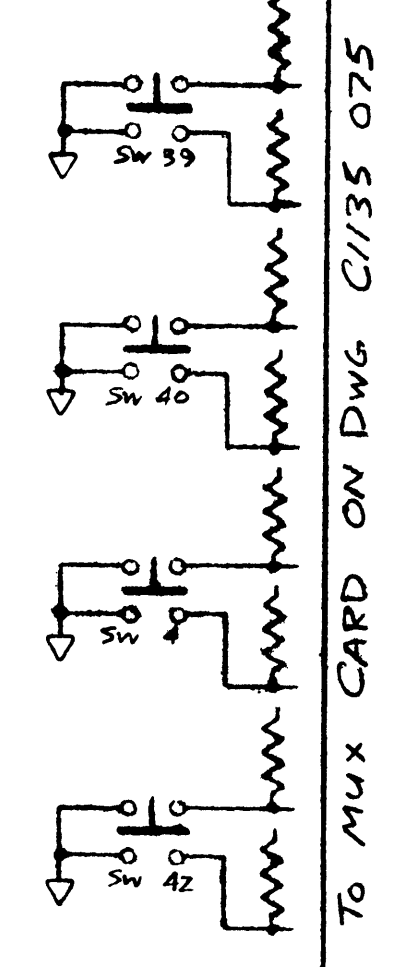
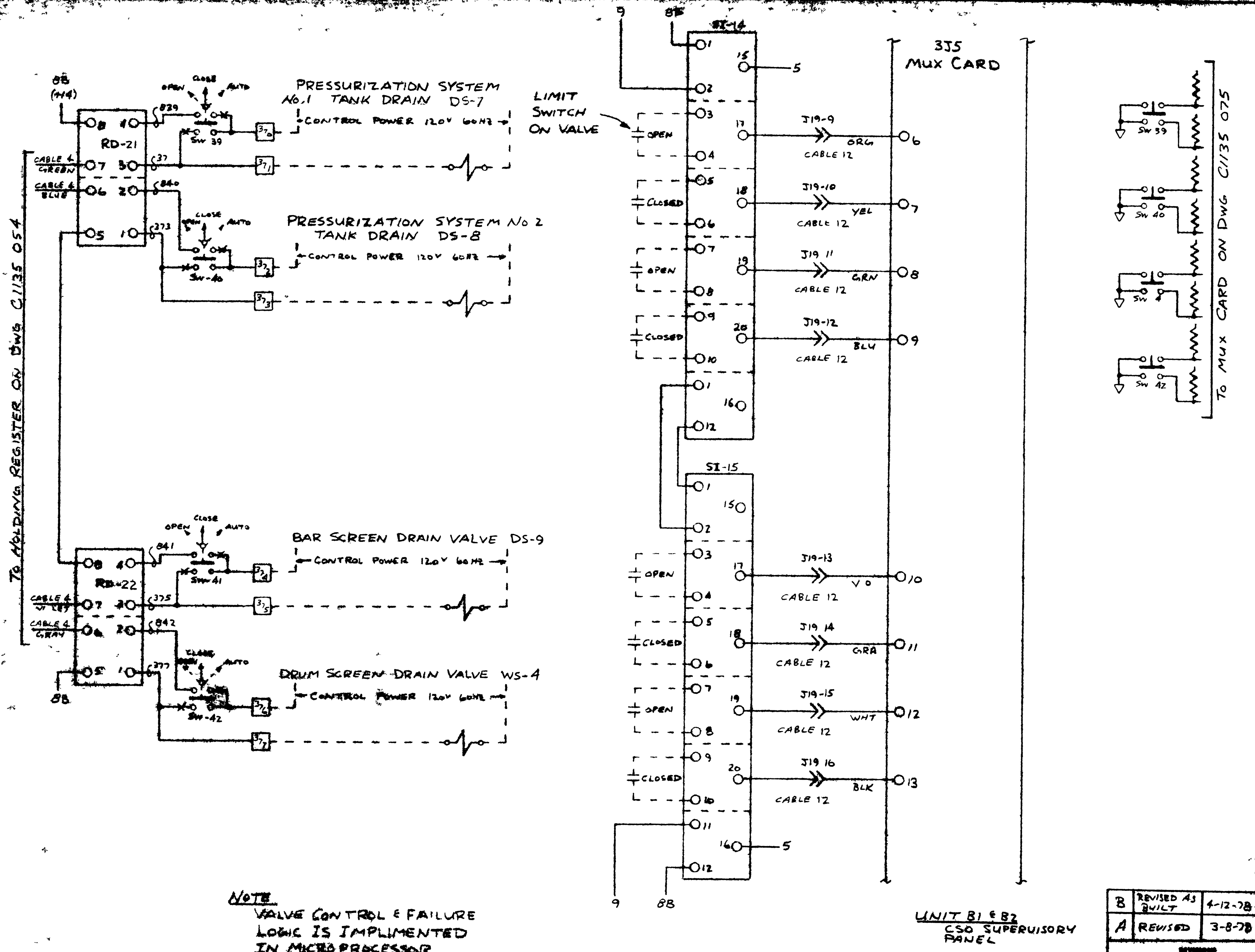
TERMINALS 367 THRU 369 ARE NOT USED

* UNIT B2

UNIT B1 & B2
CSO SUPERVISORY
PANEL

B	REVISED BY	DATE
A	REVISED	DATE

DESIGNED BY RED HAYNE	DATE 6-6-77	 edison controls inc MILWAUKEE, WISCONSIN
CHECKED BY	DATE	
APPROVED BY		SUPERIOR, WISC. DIST. AD. & CABLE 1135
TITLE VALVE CONTROL WIRING		DRAWING NO. C1135-067



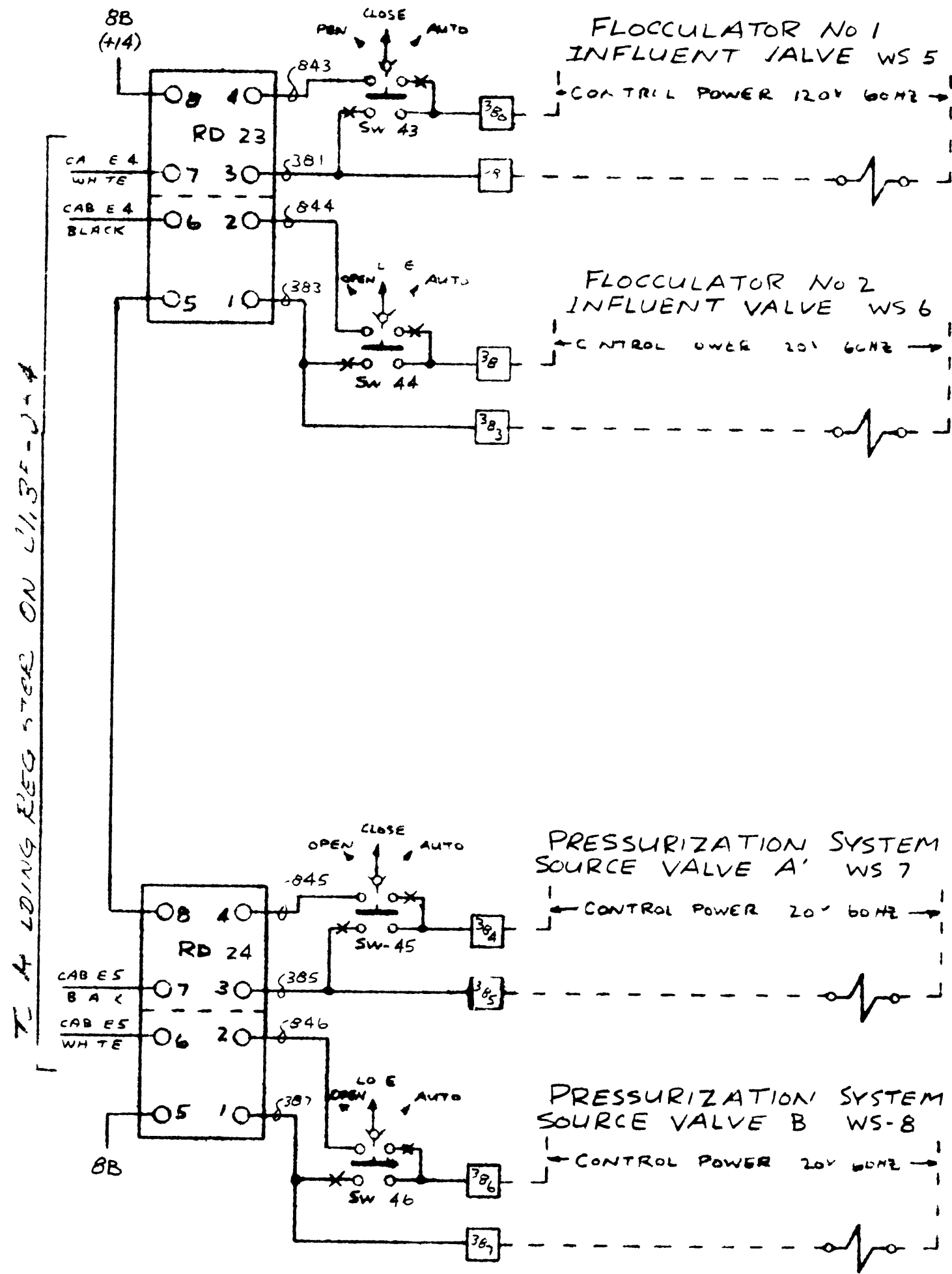
NOTE
VALVE CONTROL & FAILURE LOGIC IS IMPLEMENTED IN MICROPROCESSOR SOFTWARE

TERMINALS 378 & 379 ARE NOT USED

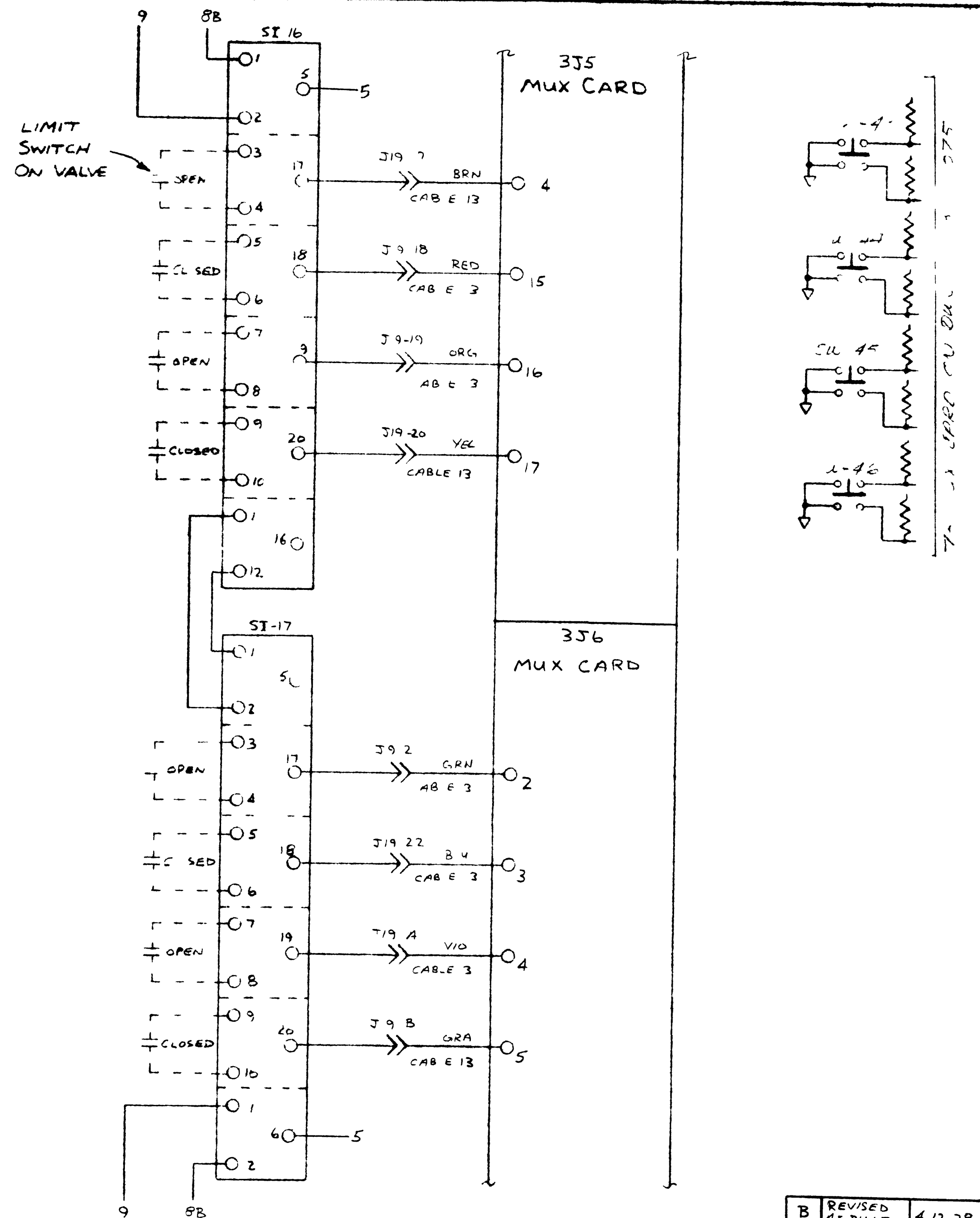
UNIT B1 & B2
CSO SUPERVISORY PANEL

B	REVISED AS BUILT	4-12-78
A	REVISED	3-8-78

DATE	2-2-77		edison controls inc <small>MANUFACTURERS OF CONTROL SYSTEMS</small>
PROJECT			
SUPERIOR, WISG. DIST. NO. 51 No. 6		1135	
VALVE CONTROL WIRING		C1135-06B	



NOTE
VALVE CONTROL FAILURE LOGIC IS IMPLEMENTED IN MICROPROCESSOR SOFTWARE



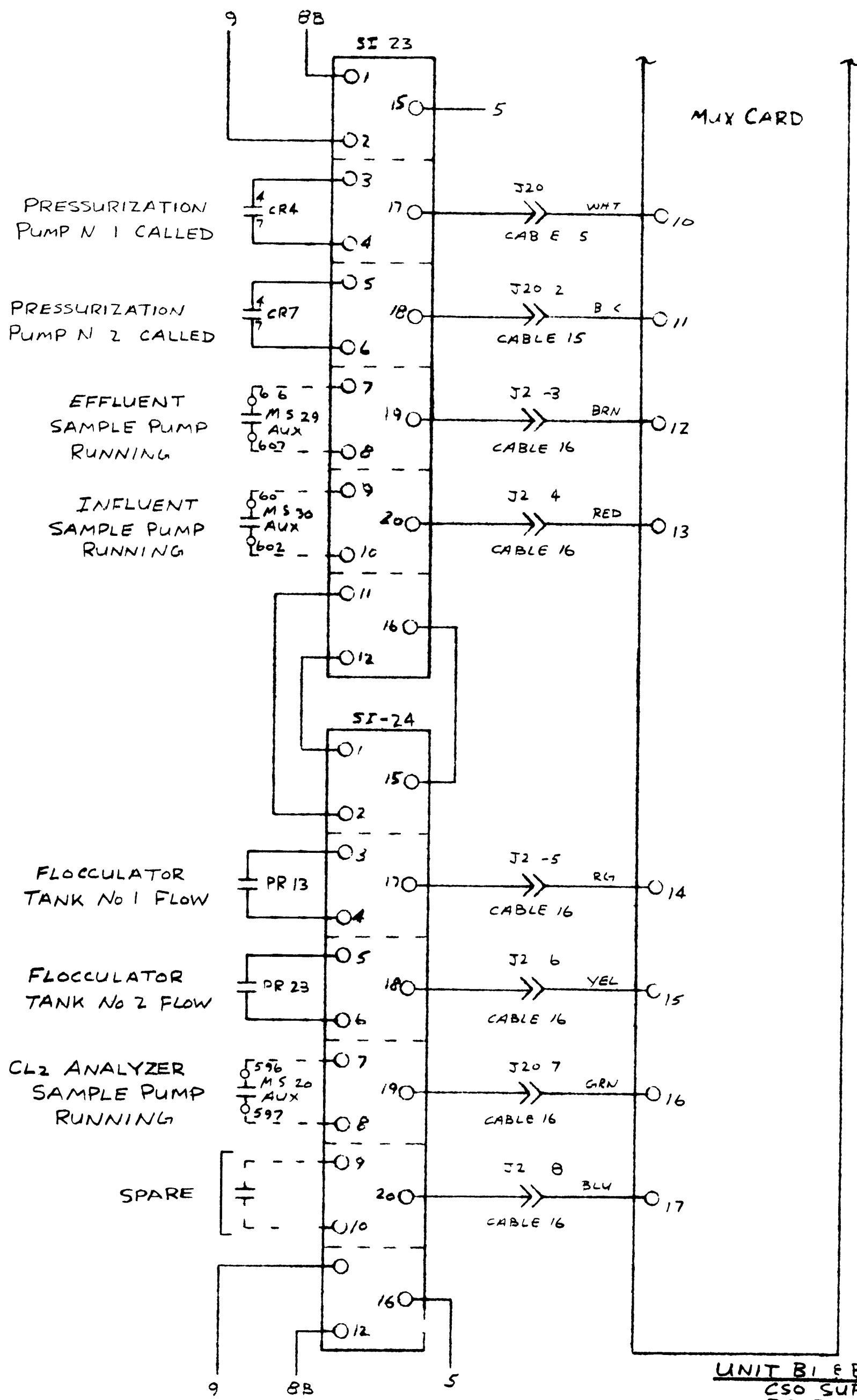
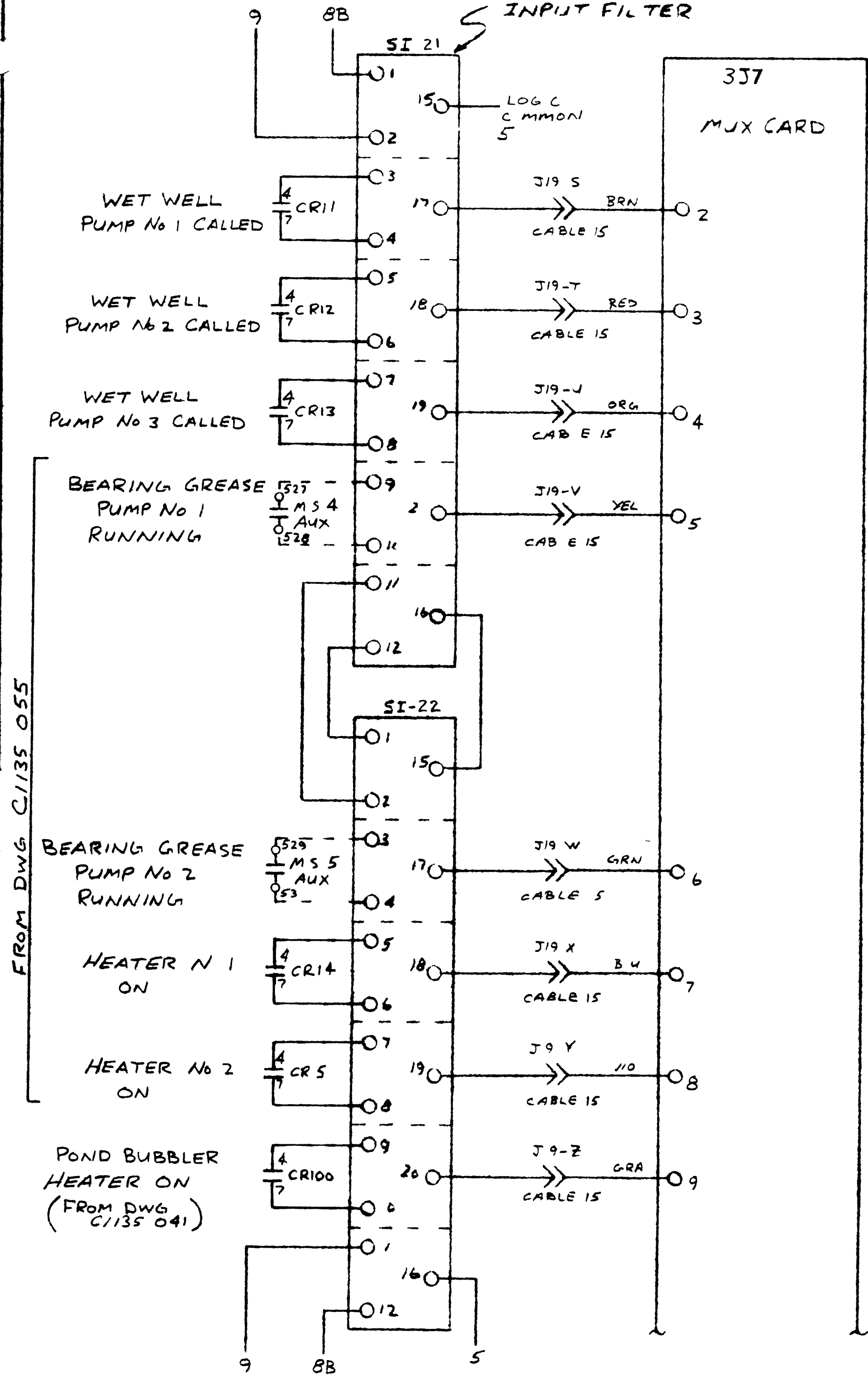
TERMINALS 388 & 389 ARE NOT USED

UNIT B1 & B2
CSO SUPERVISORY PANEL

B	REVISED AS BUILT	4-12-78
A	REVISED	3-8-78

DESIGNED BY RED/THINE	DATE 6-7-77	edison controls inc 2500 E 7TH AVE NORTH GL DUND
CHECKED BY	DATE	
APPROVED	DATE	PROJECT SUPERIOR, WISC
SCALE	DATE	DIST. NO. 51 NAB
TITLE VALVE CONTROL WIRING		PROJECT NO. 1135
DRAWING NO. C1135-069		REV. NO. B

ECI STATUS
INPUT FILTER

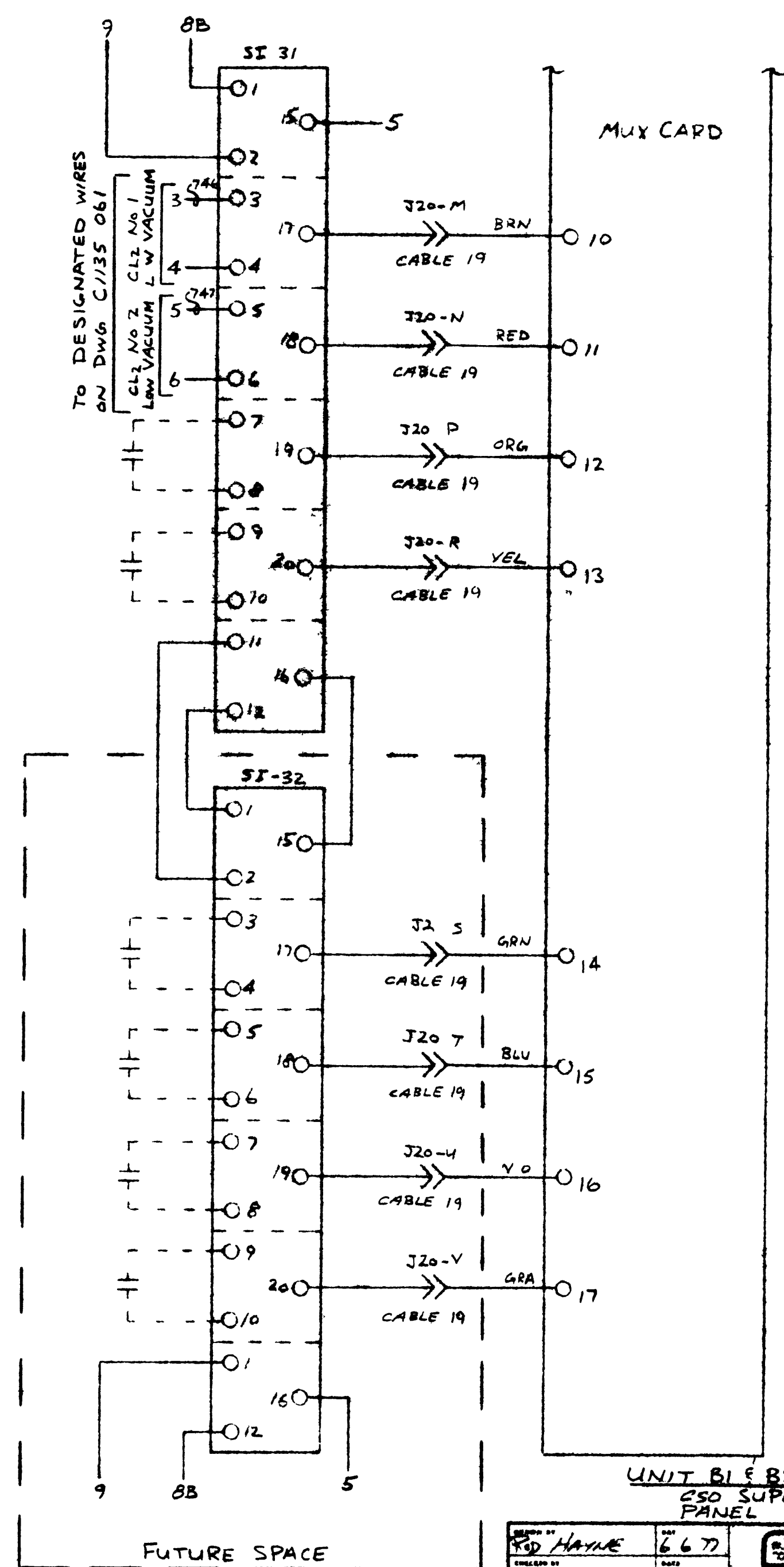
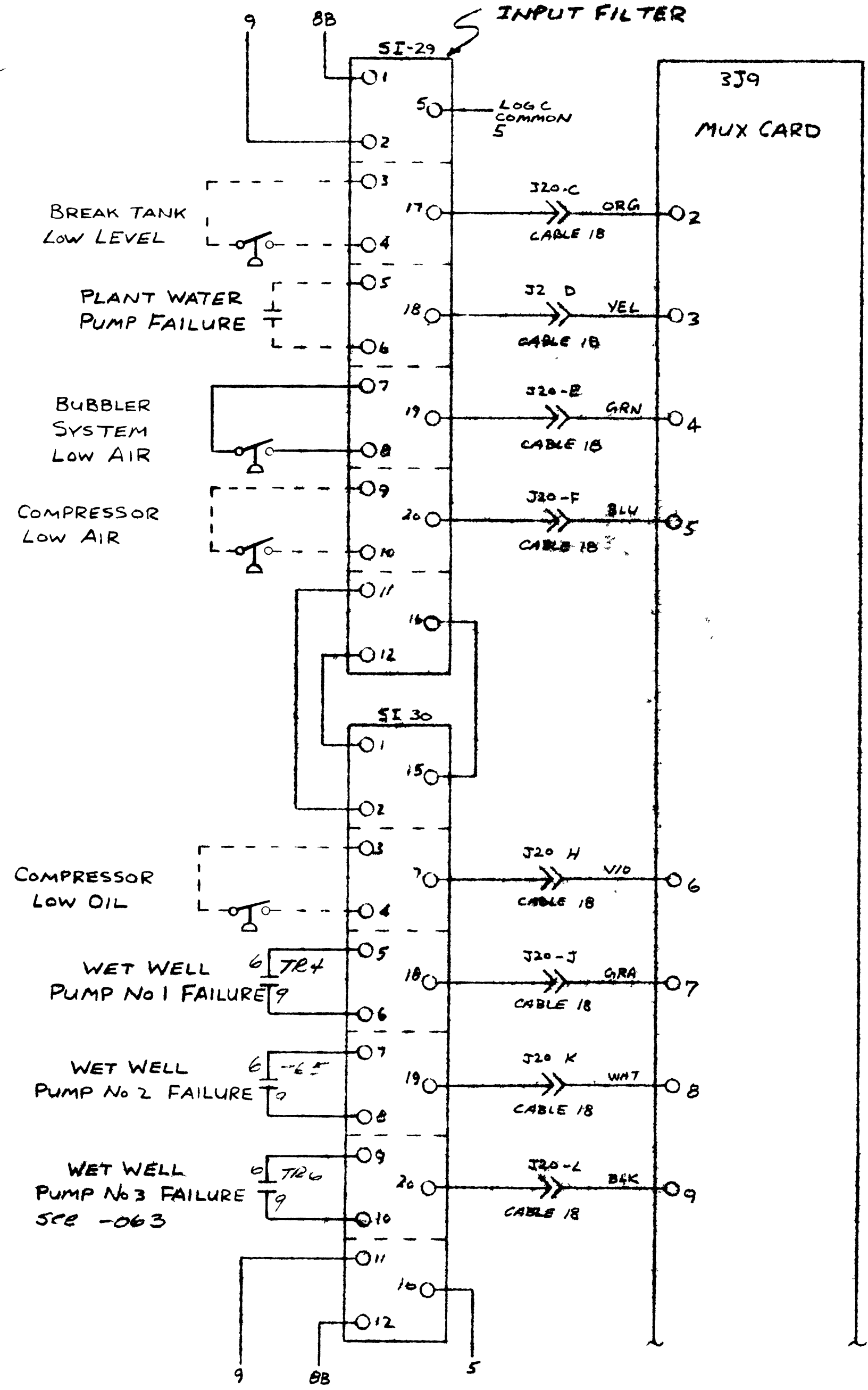


UNIT B1 & B2
CSO SUPERVISORY
PANEL

REVISIONS		
C	REV ED AS BY LT	4-12-78
B	REVISED	3-8-78
A	REVISED FOR APPROVAL	11-21-77

DESIGNED BY ROD HAYNE	DATE 6-6-77	<p>edison controls inc 2802 E. 7th Ave. NORTH ST. PAUL, MINN.</p>
APPROVED BY	DATE	
PROJECT NAME SUPERIOR WSC DIST No 5 ENo 6		NO. OF SHEETS 1/35
TITLE STATUS INPUT WIRING		DRAWING NO. C/135-071

ECI STATUS
INPUT FILTER

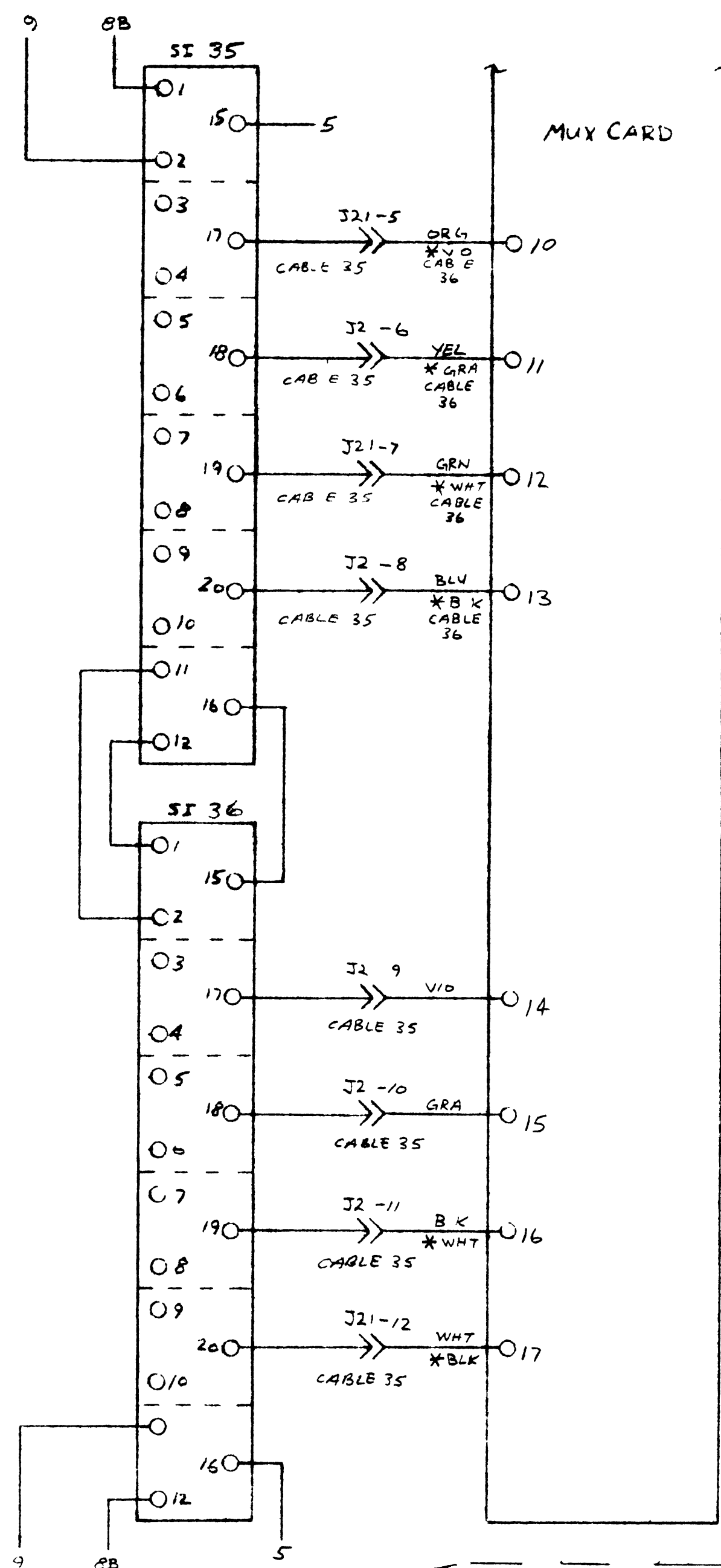
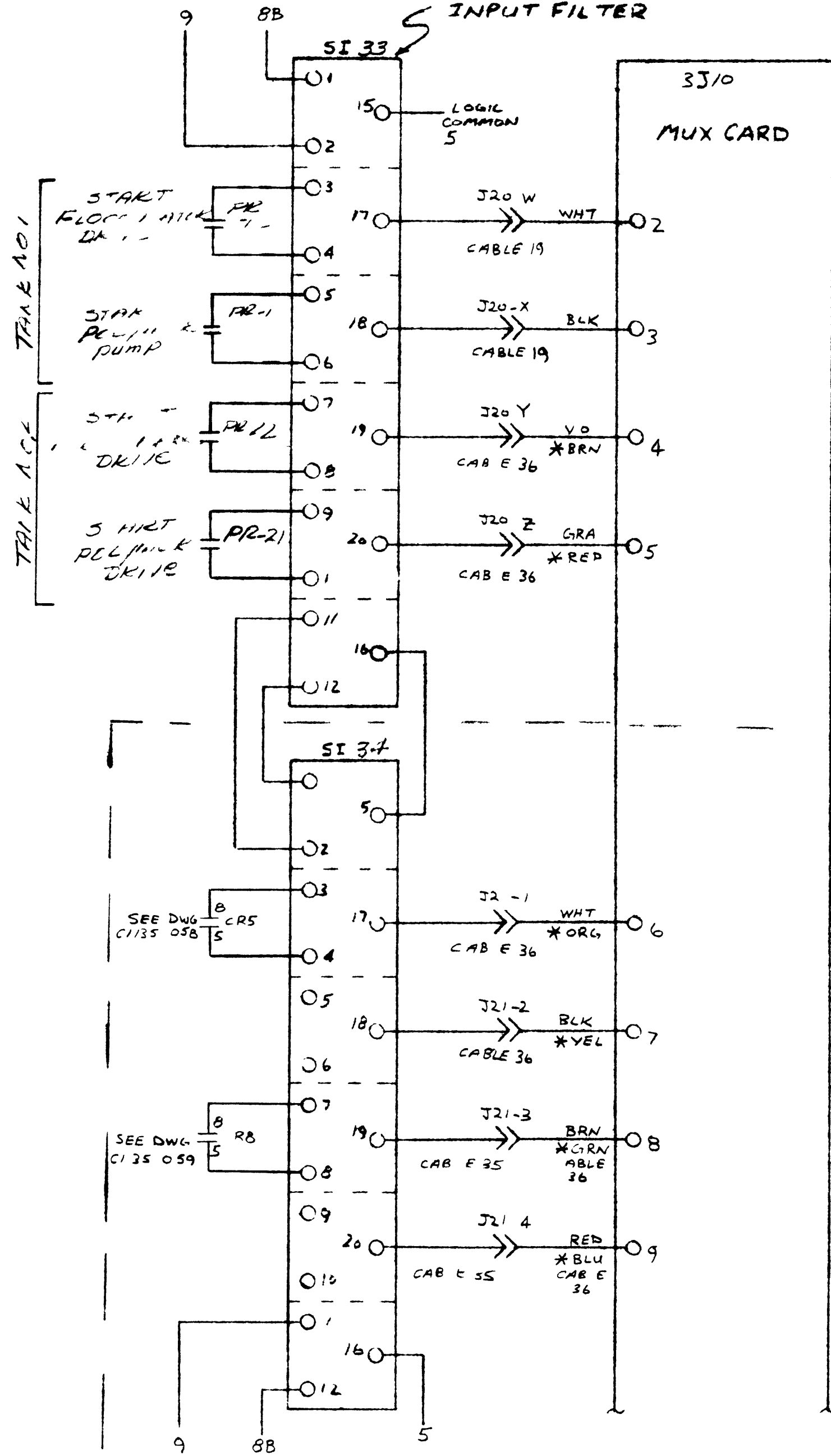


UNIT BLE B2
250 SUPERVISORY
PANEL

REVISIONS		
C	REVISED AS BUILT	4-12-78
B	REVISED	3-8-78
A	REVISED FOR APPROVAL	11-21-77

DESIGNED BY Bob Hume	DATE 6-6-77	<p>edison controls inc 2602 E. 7TH AVE. INDIANAPOLIS, IN 46216</p>	<p>SUPERIOR WISC DIST NO. 5 ENO 6</p>	<p>1135</p>
APPROVED BY	DATE			
STATUS INPUT WIRING 1		C/135-073		

ECI STATUS
INPUT FILTER

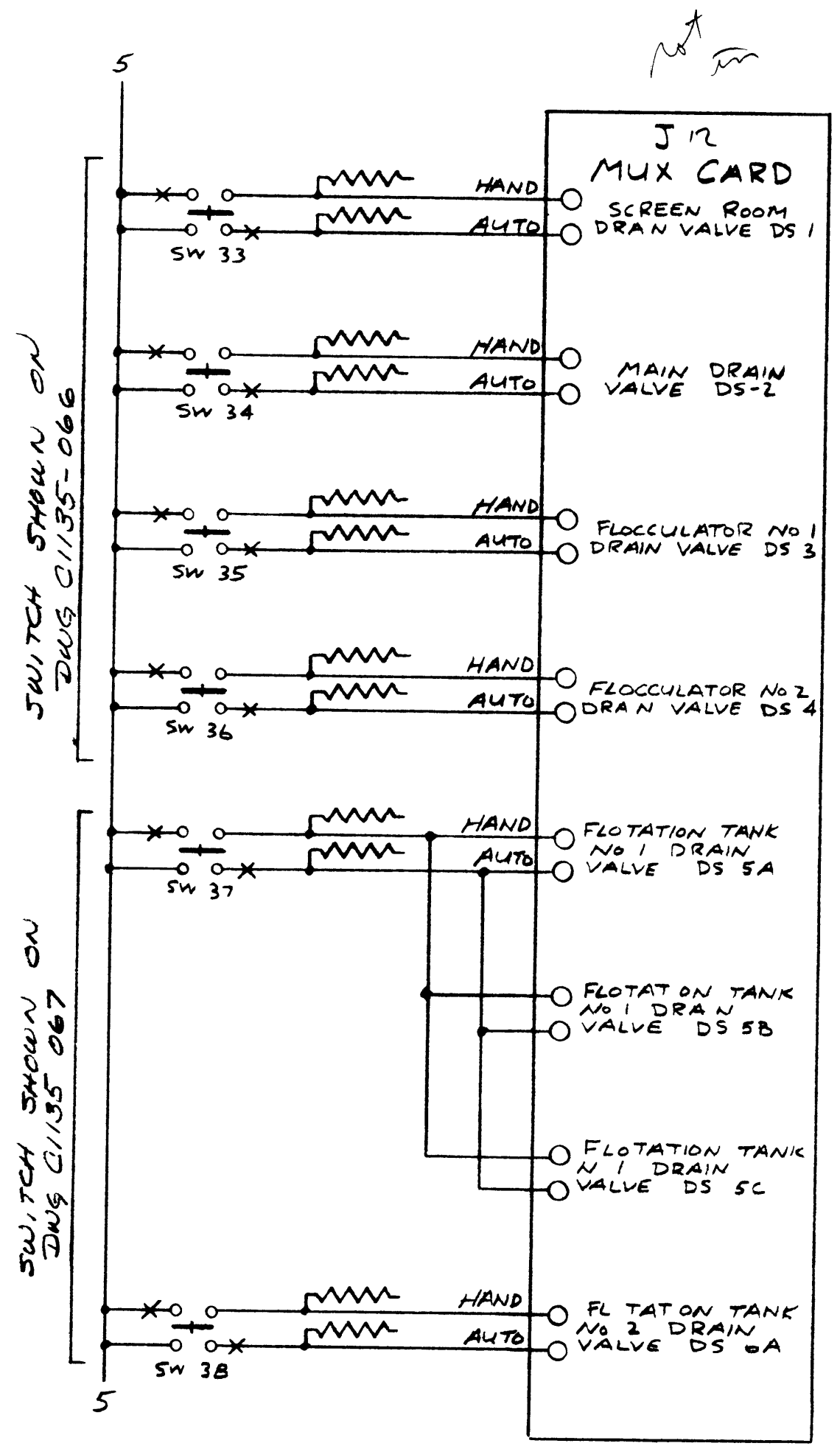
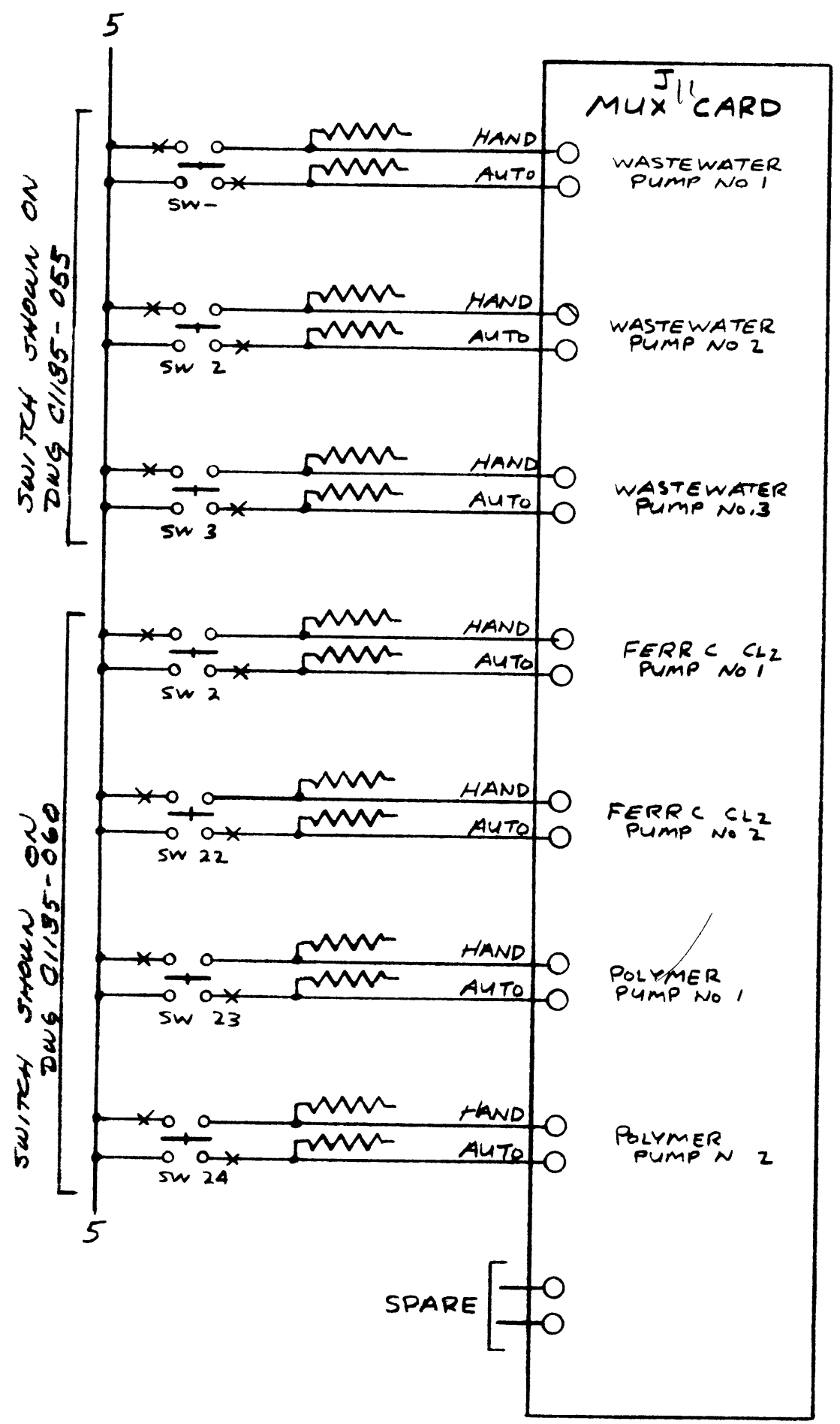


* UNIT 82

UNIT B1 & B2
CSO SUPERVISORY
PANEL

C	REVISED AS BUILT	4 12 78
B	REVISED	3 8 78

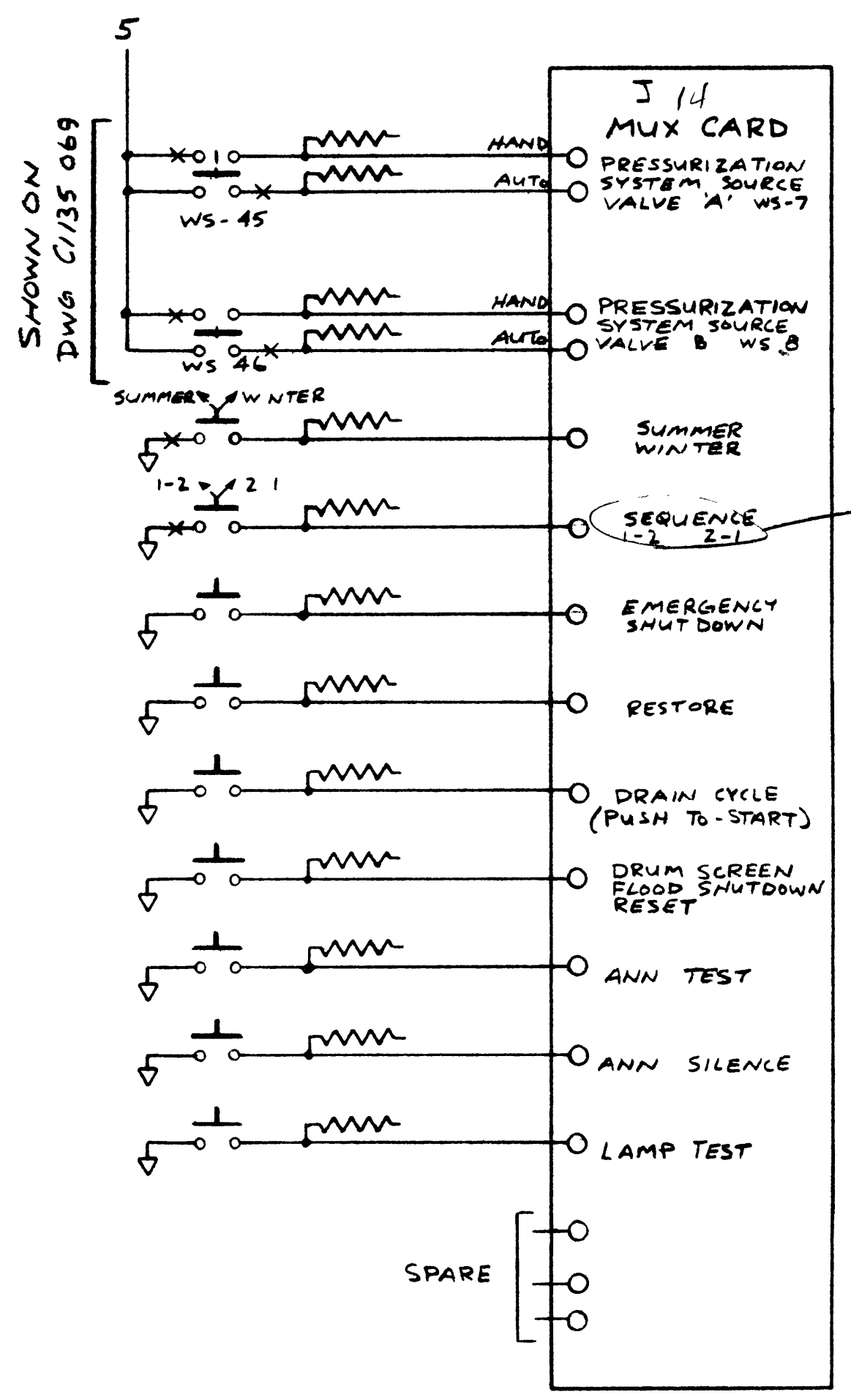
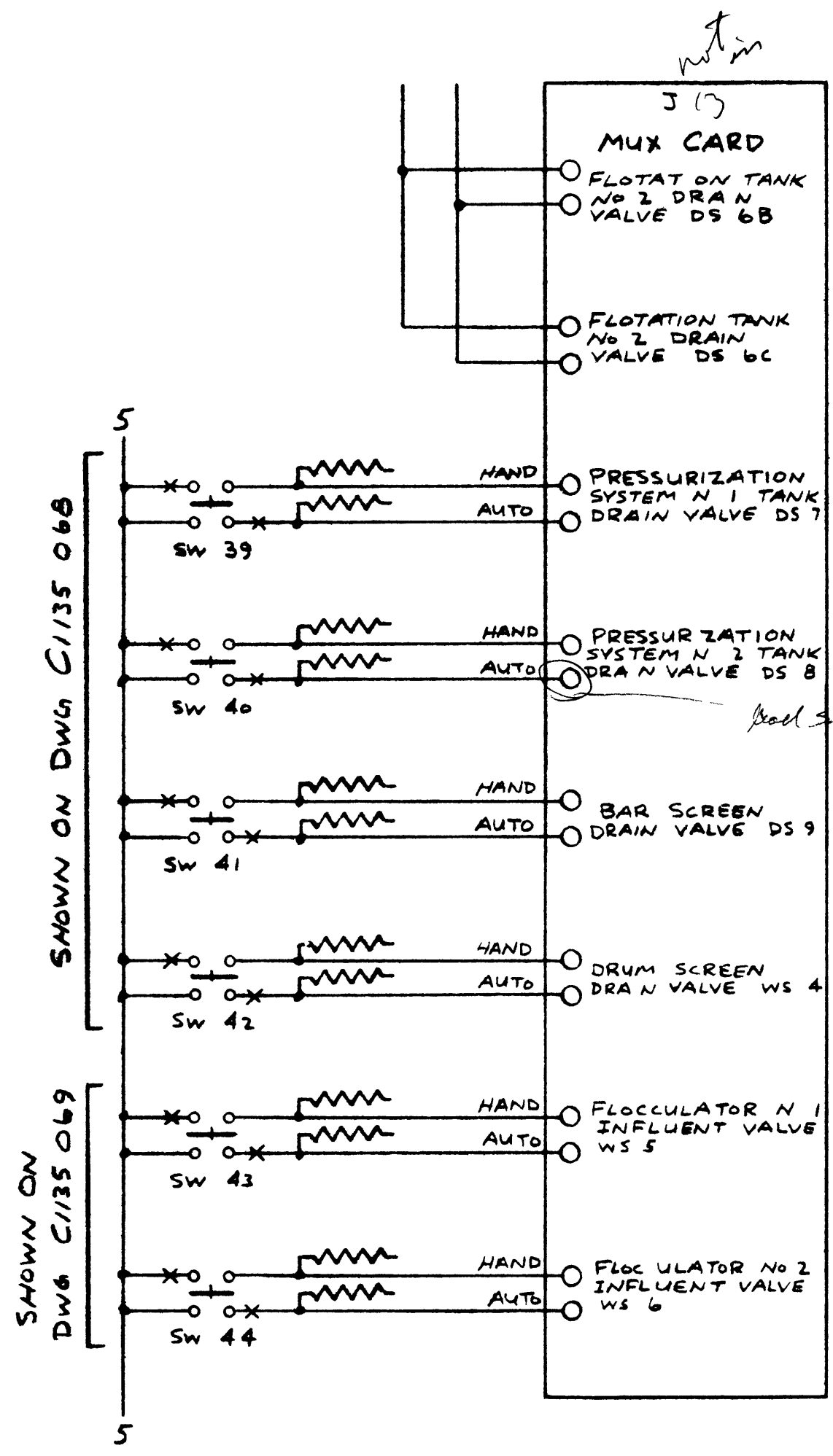
DESIGNED BY R.D. HAYNE	DATE 6 6 77	 edison controls inc 2601 E 7th AVE NORTH P.O. BOX 100 SUPERIOR WISC DST No 5 P No 6 1135
APP'D BY	DATE	
STATUS INPUT WIRING		C/135-073-1



UNIT B1 & B2
CSO SUPERVISORY
PANEL

A	REVISED	3-8-78
V ON		

DATE 6-7-77	BY HAME	 edison controls inc 5 E. WAY NORTH T PAUL MINN.
SUPERIOR, WISC.		
" MUX CARD WIRING		1135
DRAWN NO.		C1135-074
		A

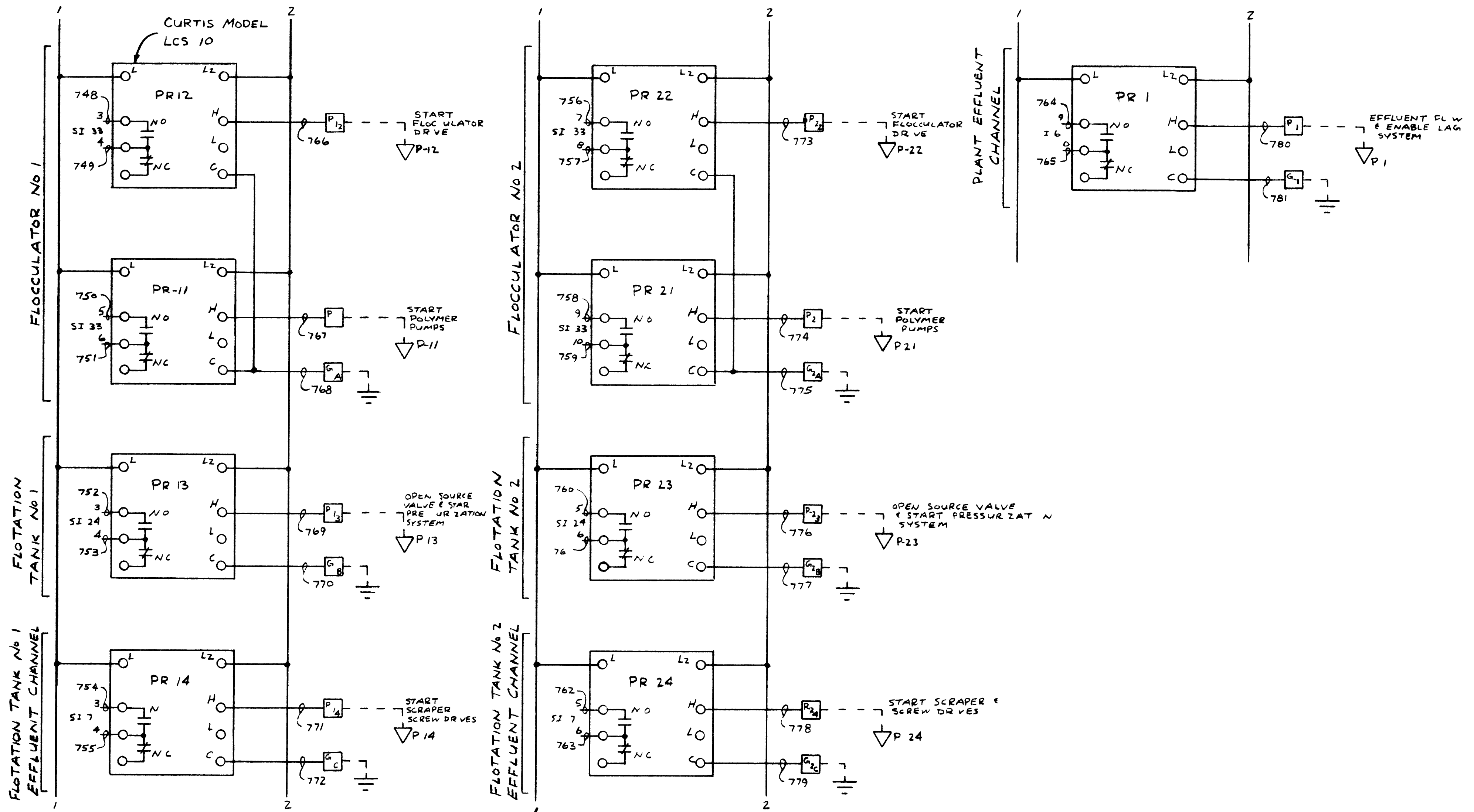


UNIT B1 & B2
CSO SUPERVISORY
PANEL

B	REVISED	3-8-78
A	REVISED FOR APPROVAL	11-2-77

VISIONS

DATE	6-7-77	 236 E. 7th AV. NORWICH, CT 06250	edison controls inc
DESIGNED BY	RD HAYNE		
PROVED		SUPERIOR WISC DIST No 5 & No 6	
MUX CARD WIRING		1135	
C/135-075		B	

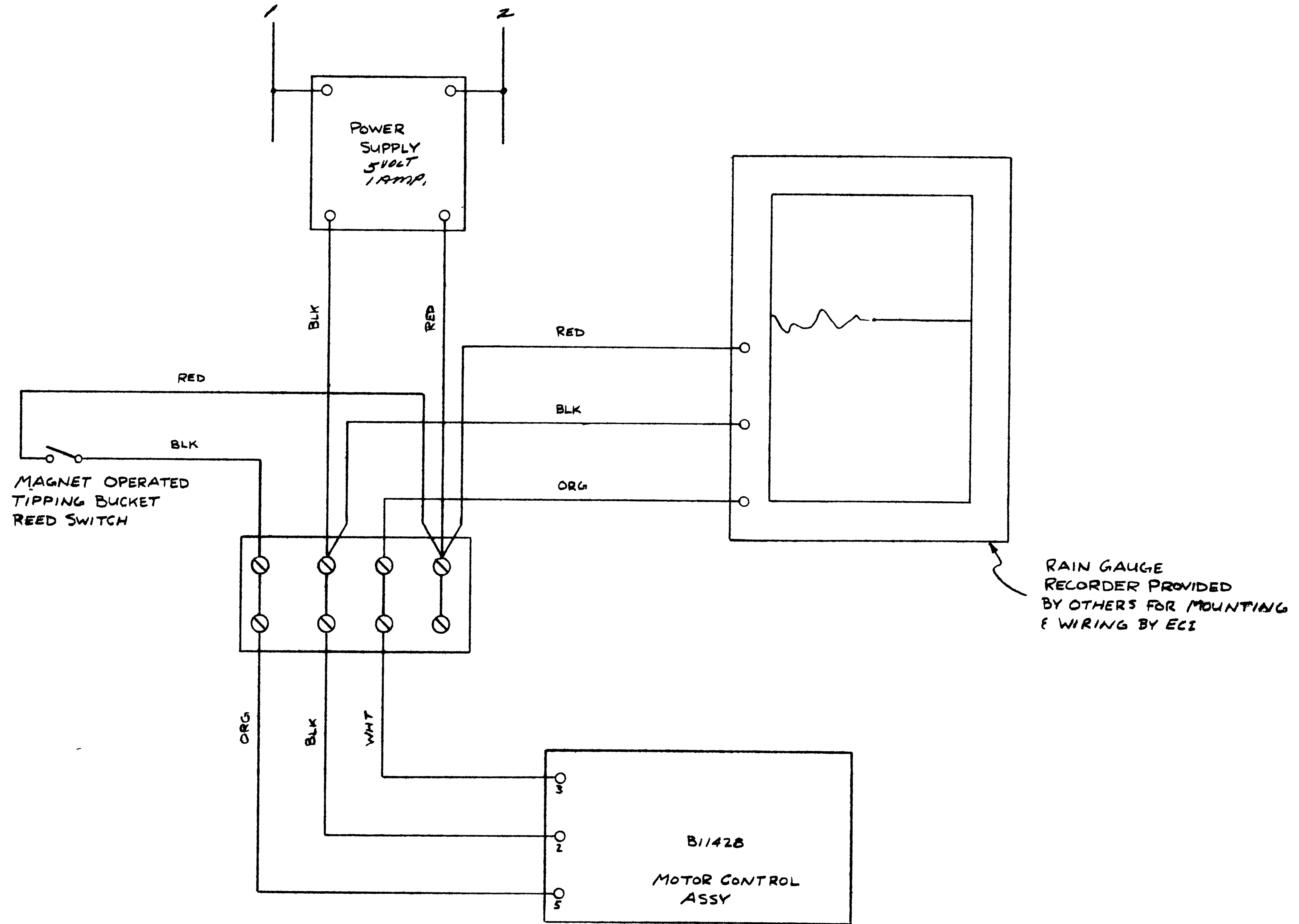


SI 6 & 7 ON DWG C1135-065
 SI 24 ON DWG C1135-071
 SI 33 ON DWG C1135-073.1


UNIT B1 & B2
 CSO SUPERVISORY
 PANEL

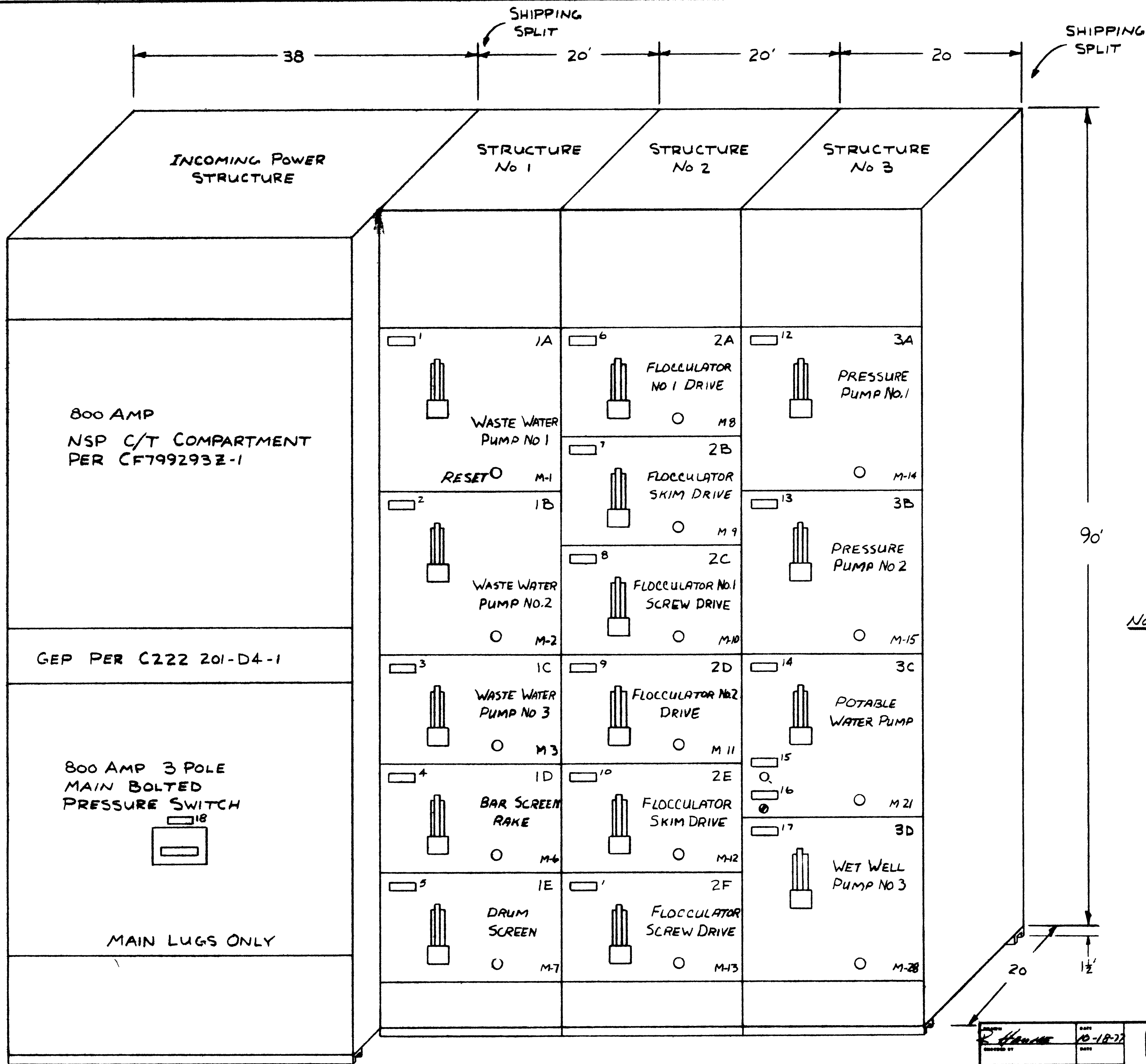
B	REV SETD AS BUILT	4-12-78
A	REVISED	3-8-78
REV ON		

Red NAME	6777	 5 E. 7th AVE. NORTH PAUL, MINN.	SUPERIOR WISC DIST. No 5 & No 6	1135
PROBE RELAY WIRING				



UNIT B1 & B2
CSO SUPERVISORY
PANEL

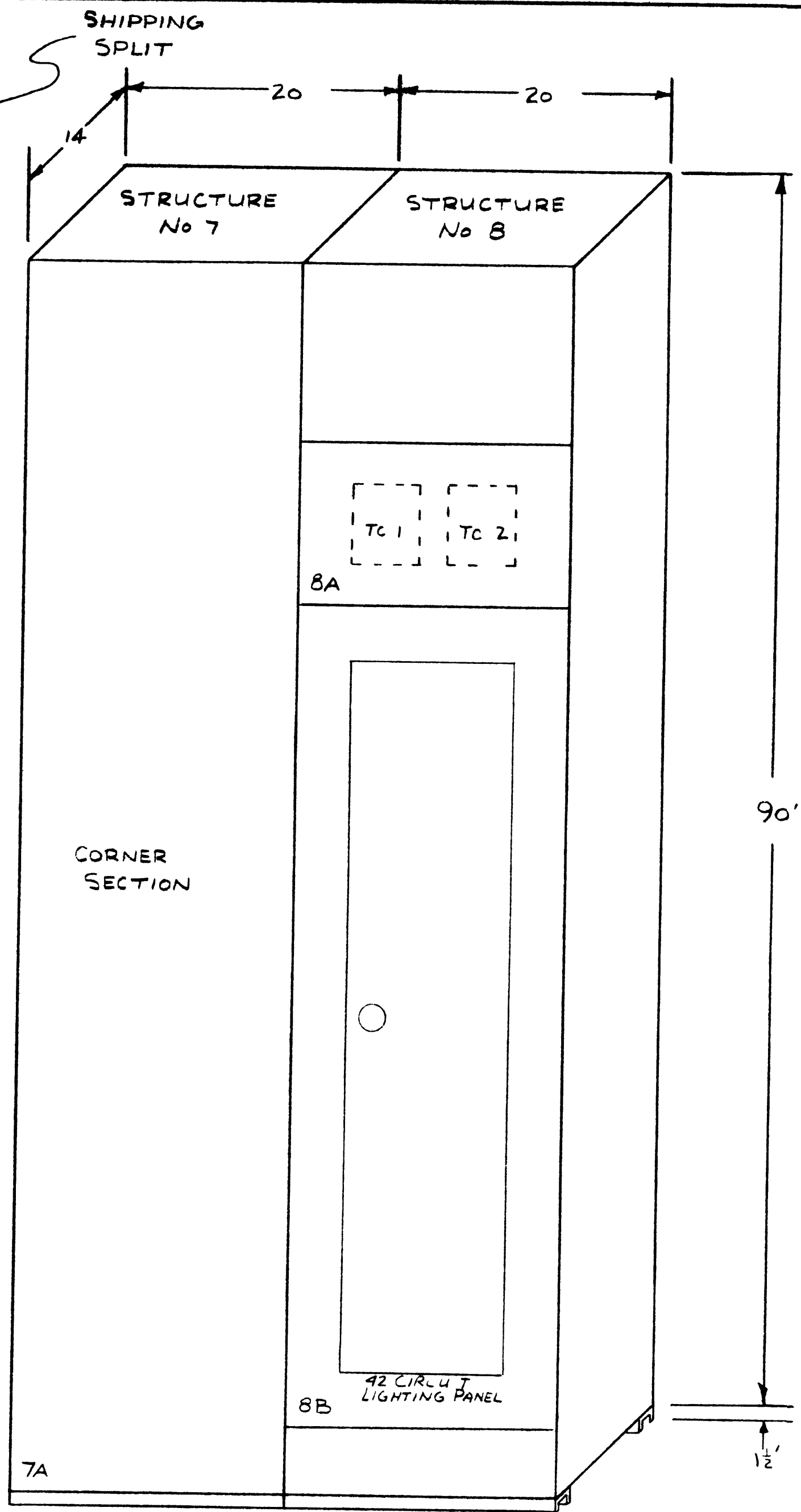
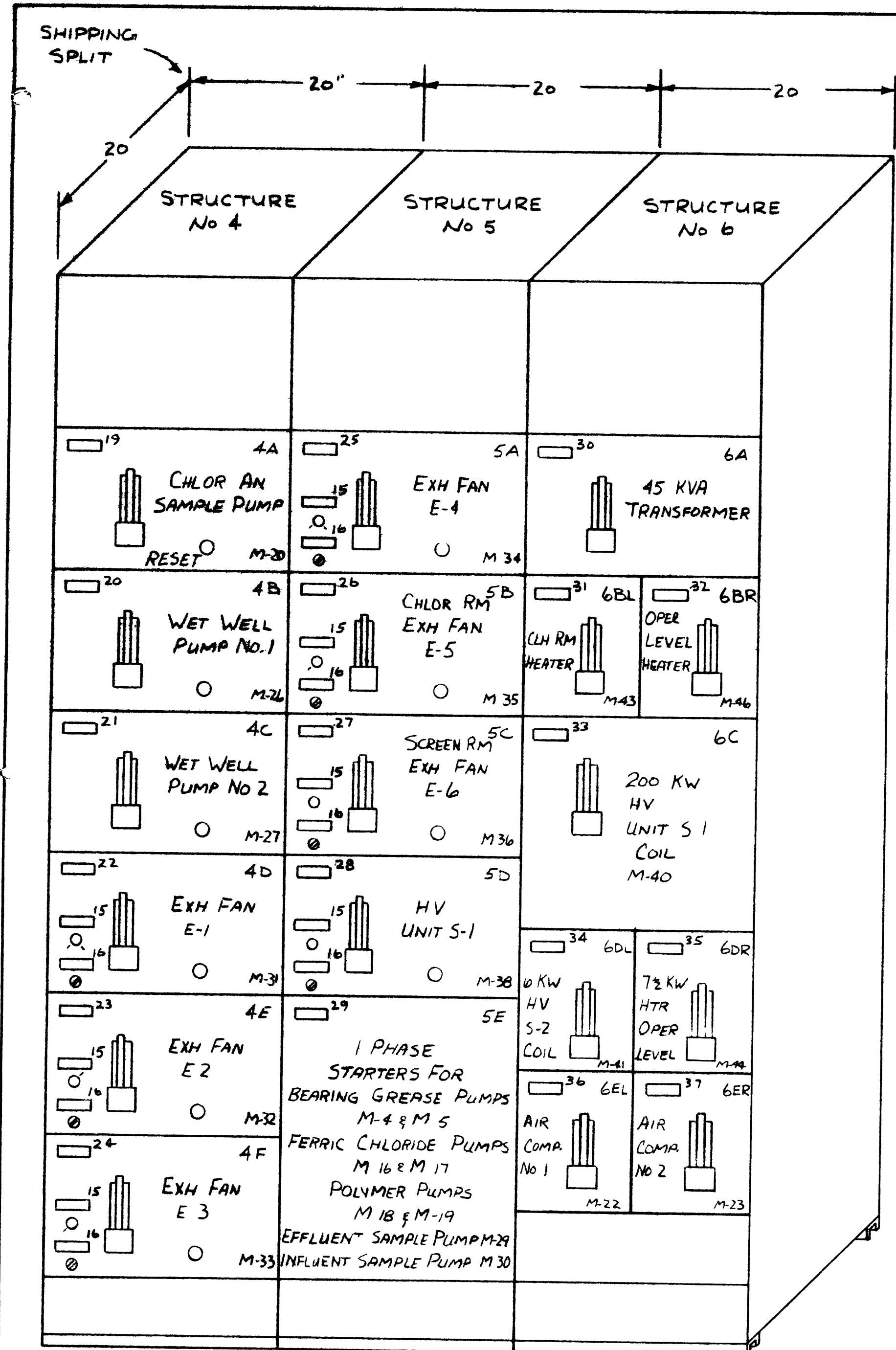
DRAWN BY <i>W. H. HARRIS</i>		DATE 6-9-77	 edison controls inc <small>2500 S. 7TH AVE. NORTH ST. PAUL, MINN.</small>	REVISIONS
APPROVED BY		DATE		PROJECT NAME SUPERIOR WISE
TITLE RAIN GAUGE RECORDER WIRING			DRAWING NO. C1135-078	DATE



- NOTES**
- ENCLOSURES ARE CUTLER-HAMMER
 - FOR NAMEPLATE DESIGNATION SEE DWG C1135 102
 - FOR FLOOR PLAN SEE DWG C1135 103

SEE ROOM LAYOUT FOR FLOOR PLAN

DESIGNED BY R. HENNING	DATE 10-18-77	 edison controls inc 2848 E. 7th AVE. NORTH ST. PAUL, MINN. 55113	REVISIONS
APPROVED BY	DATE		PROJECT NAME SUPERIOR, WISC
TITLE MOTOR CONTROL CENTER GENERAL LAYOUT & DIMENSIONS		PROJECT NO. 1235	DWG. NO. C1135-100




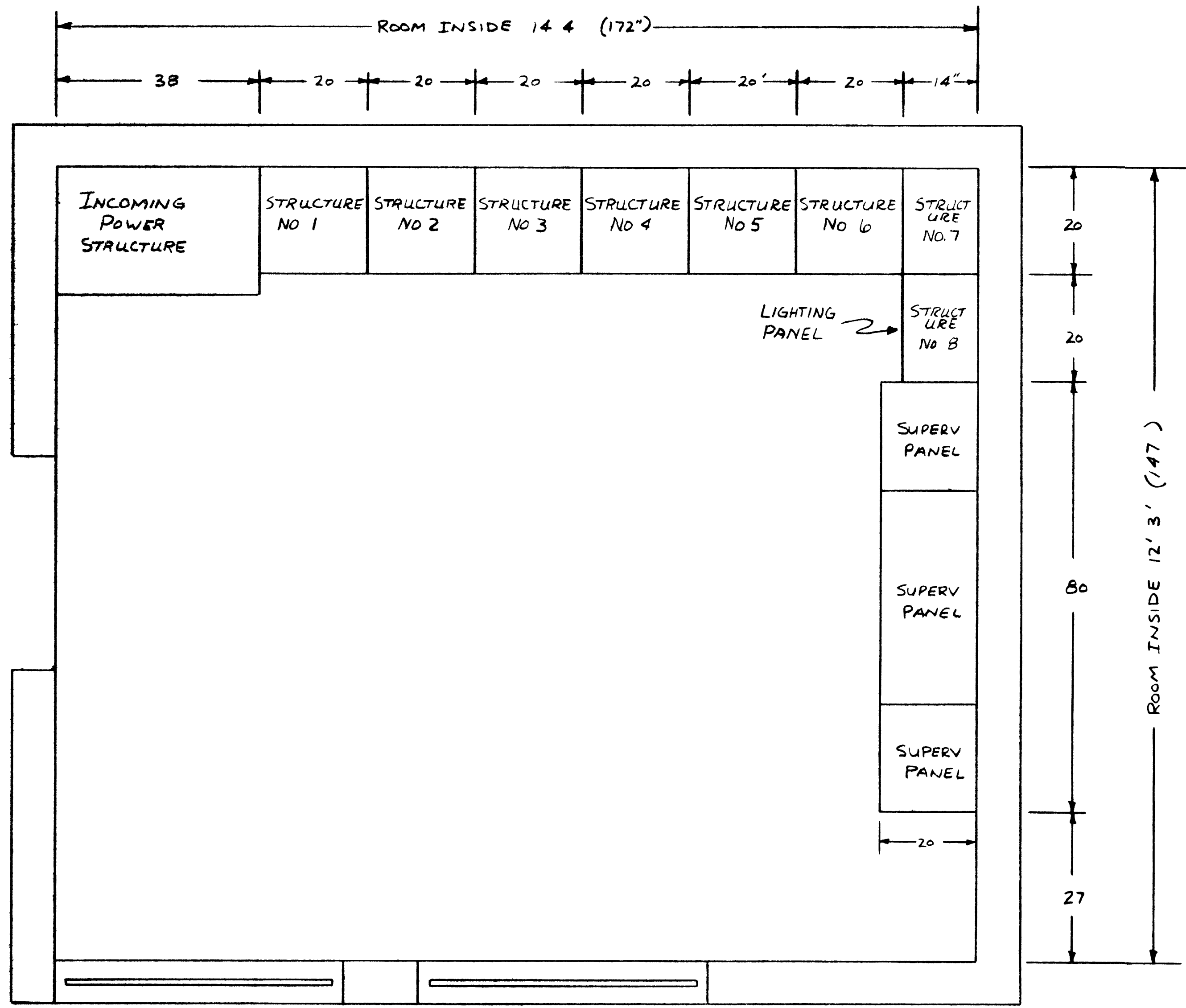
SEE ROOM LAYOUT FOR FLOOR PLAN

DRAW P. HAYNE	DATE 10-18-77	VISION 1
PROJ. NO. 1	DATE	PROJECT NO.
C	SUPERIOR WISC.	1235
TITLE MOTOR CONTROL CENTER GENERAL LAY- OUT & DIMENSIONS	DRAWING NO. C1135-101	0

edison controls inc
3542 E. 7th AV NORTH PAUL MINN.

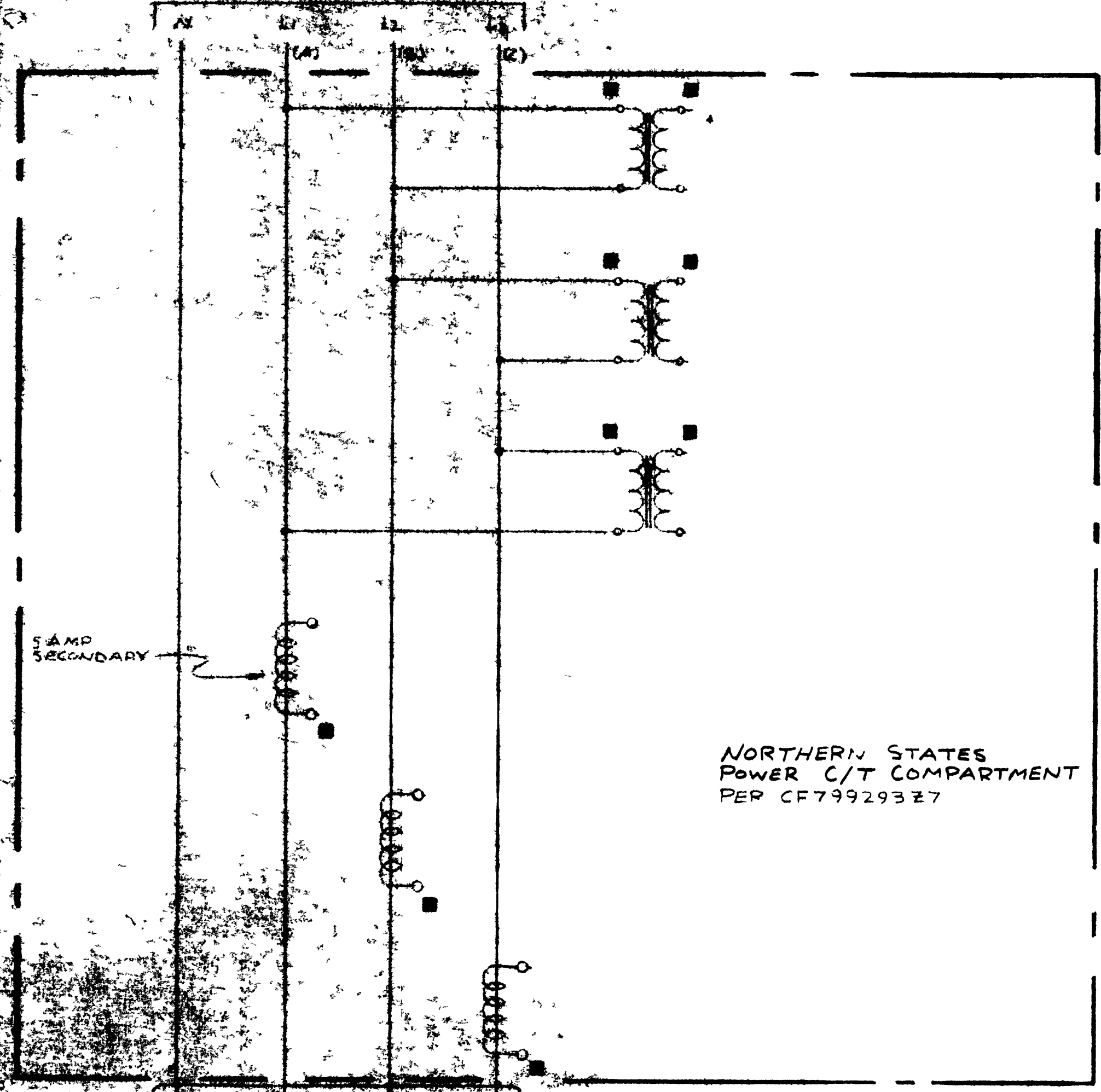
SIZE 3 x		NAMEPLATE DESIGNATION			
NP No.	TOP LINE	MIDDLE LINE	BOTTOM LINE	NO. REQ'D	
1	M-1	20 HP	WASTEWATER PUMP No. 1	1	
2	M-2	20 HP	WASTEWATER PUMP No. 2	1	
3	M-3	10 HP	WASTEWATER PUMP No. 3	1	
4	M-6	7 1/2 HP	BAR SCREEN RAKE	1	
5	M-7	2 HP	DRUM SCREEN DRIVE	1	
6	M-8	2 HP	FLOC. No. 1 DRIVE	1	
7	M-9	2 HP	SCRIPPER No. 1 DRIVE	1	
8	M-10	1 HP	SCREW No. 1 DRIVE	1	
9	M-11	2 HP	FLOC. No. 2 DRIVE	1	
10	M-12	2 HP	SCRIPPER No. 2 DRIVE	1	
11	M-13	1 HP	SCREW No. 2 DRIVE	1	
12	M-14	25 HP	PRESS. PUMP No. 1	1	
13	M-15	25 HP	PRESS. PUMP No. 2	1	
14	M-21	15 HP	POTABLE WATER PUMP	1	
15		RUNNING		8	
16	OFF		HAND AUTO	8	
17	M-28	25 HP	WET WELL PUMP No. 3	1	
18		MAIN DISCONNECT		1	
19	M-20	3/4 HP	CHLORINE ANALYZER	1	
20	M-26	10 HP	WET WELL PUMP No. 1	1	
21	M-27	10 HP	WET WELL PUMP No. 2	1	
22	M-31	1/2 HP	TREATMENT ROOM	EXHAUST FAN E-1	1
23	M-32	1/2 HP	TREATMENT ROOM	EXHAUST FAN E-2	1
24	M-33	1/2 HP	TREATMENT ROOM	EXHAUST FAN E-3	1
25	M-34	1/2 HP	TREATMENT ROOM	EXHAUST FAN E-4	1
26	M-35	3/4 HP	CHLORINE ROOM	EXHAUST FAN E-5	1
27	M-36	1/2 HP	SCREEN ROOM	EXHAUST FAN E-6	1
28	M-38	5 HP	TREATMENT ROOM	H V UNIT S-1	1
29		SINGLE PHASE STARTERS		1	
30		45 KVA TRANSFORMER		1	
31	M-43	20 KW	UNIT HEATER	CHLORINE ROOM	1
32	M-46	20 KW	SCREEN ROOM	UNIT HEATER	1
33	M-40	230 KW	TREATMENT ROOM	H V UNIT S-1 COIL	1
34	M-41	4 KW	CONTROL ROOM	S-2 COIL	1
35	M-44	7.5 KW	CHLORINE ROOM	OPERATOR LEVEL	1
36	M-22	7.5 HP		COMPRESSOR No. 1	1
37	M-23	7.5 HP		COMPRESSOR No. 2	1
38		LIGHTING PANEL			
39	CHLORINE ROOM	EXHAUST FAN	TIMER		
40	SCREEN ROOM	EXHAUST FAN	TIMER		
41	M-37	1/2 HP	WET WELL	EXHAUST FAN E-7	1
42	M-4	1 1/4 HP	BEARING GREASE	PUMP No. 1	1
43	M-5	1 1/4 HP	BEARING GREASE	PUMP No. 2	1
44	M-16	1 1/4 HP	FERRIC CHLORIDE	PUMP No. 1	1
45	M-17	1 1/4 HP	FERRIC CHLORIDE	PUMP No. 2	1
46	M-18	1 1/4 HP	POLYMER	PUMP No. 1	1
47	M-19	1 1/4 HP	POLYMER	PUMP No. 2	1
48	M-30		TRILUENT SAMPLER		
49	M-29		TRILUENT SAMPLER		

DATE 10-18-77	BY [Signature]	REVISIONS
 schon controls inc. <small>2000 E. 10th St. Superior, Wis. 54880</small>		SUPERIOR, WISC. 1235
I. NAMEPLATE SHEET		C/135-102



ROOM LAYOUT

CHECKED BY <i>[Signature]</i>		DATE 10-18-77		edison controls inc 2502 E. 7th AVE. NORTH ST PAUL, MINN.	
APPROVED BY	DATE	PRODUCT NAME SUPERIOR, WISC.		P.O. NO. 1235	
TITLE ROOM LAYOUT			DRAWING NO. C/135-103	SHEET NO. 0	



NORTHERN STATES
 POWER C/T COMPARTMENT
 PER CF799293Z7

5 AMP
 SECONDARY

30 AMP
 FUSE

GROUND
 FAULT DETECTOR

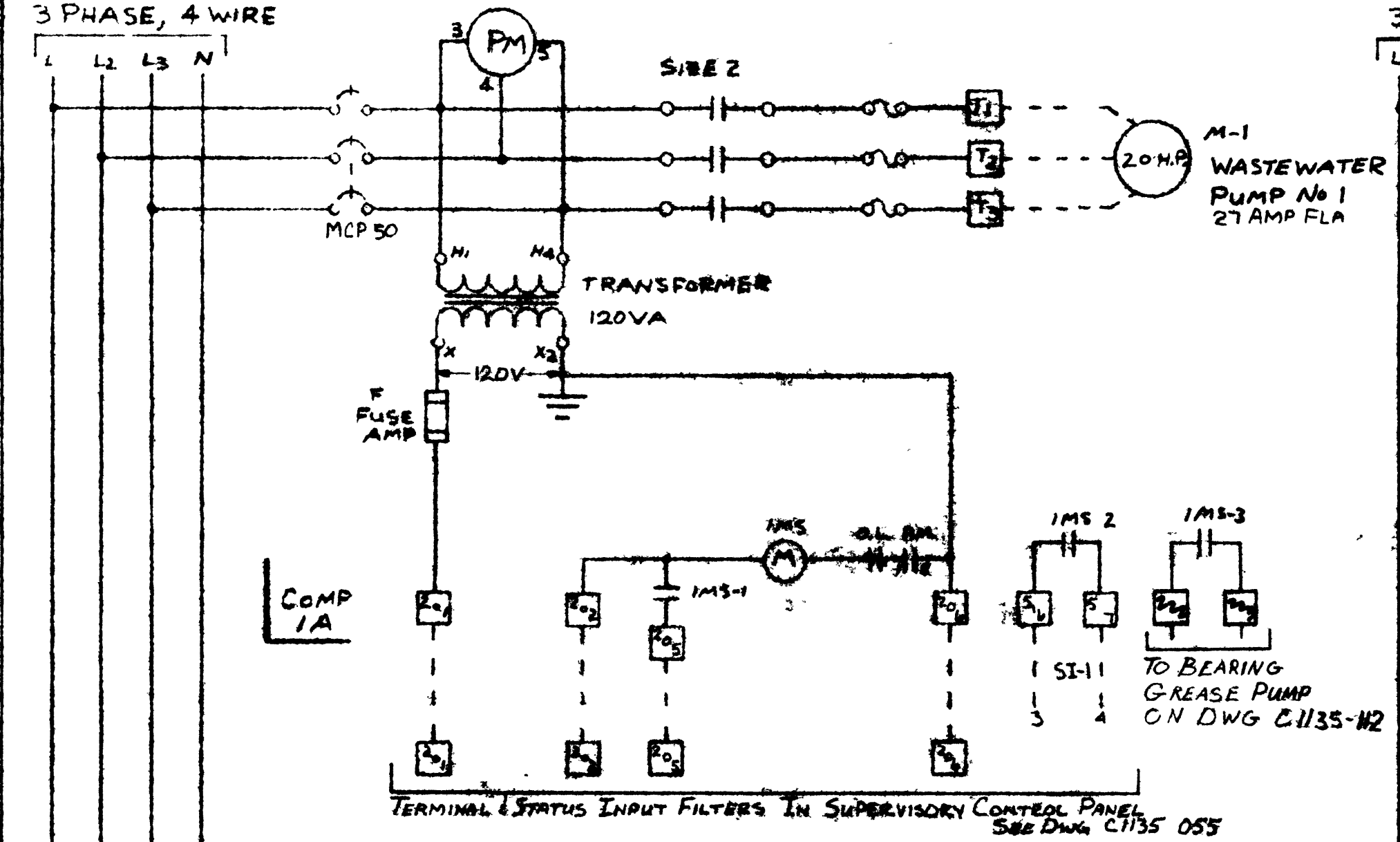
30 AMP 100V 3 FUSE
 SALED PRESSURE
 SWITCH WITH G.F.P.

NOTE TO ELECTRICIAN
 THE ENERGING POWER MUST
 BE CONNECTED SUCH THAT
 THE PHASE SEQUENCE IS ABC

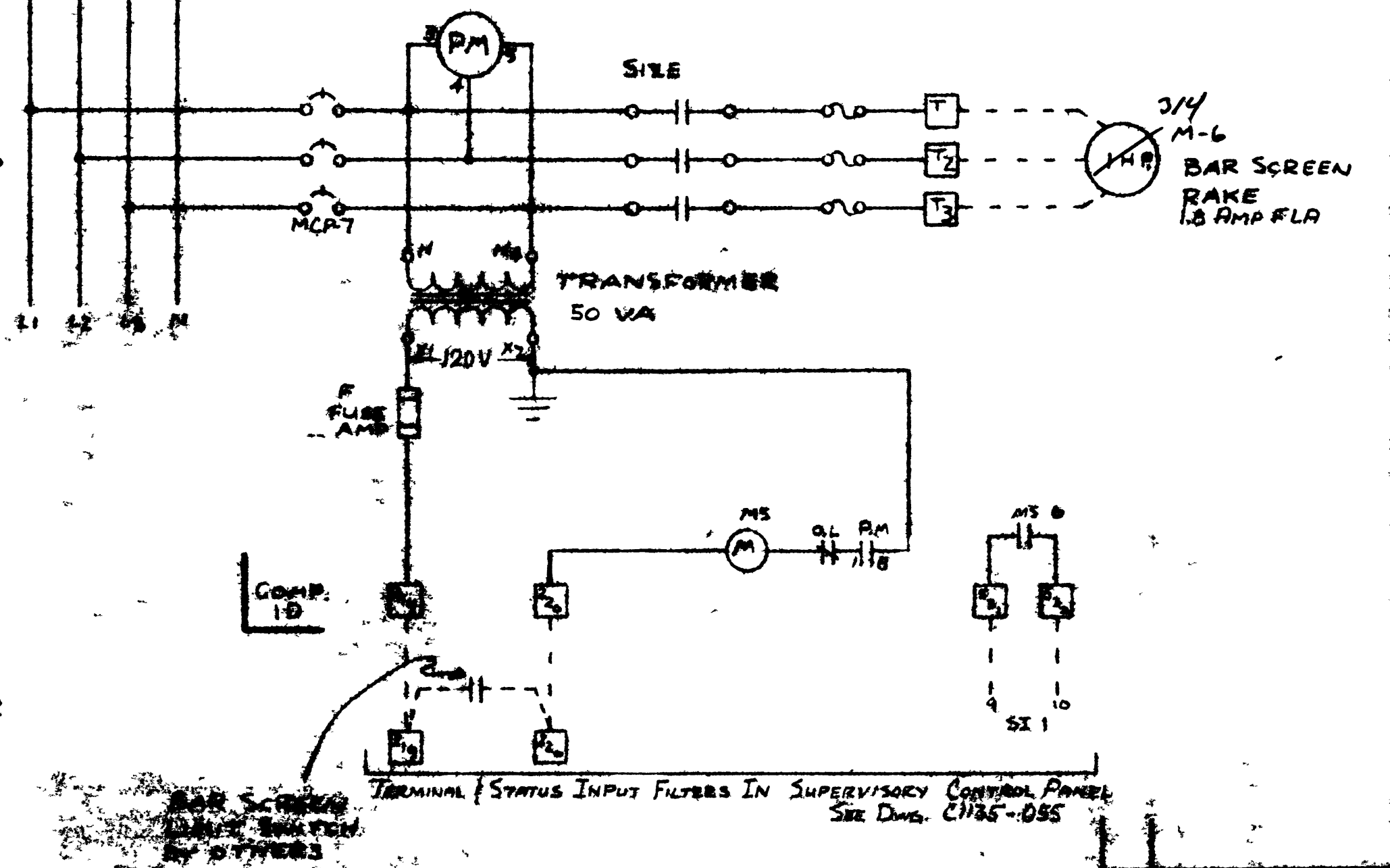
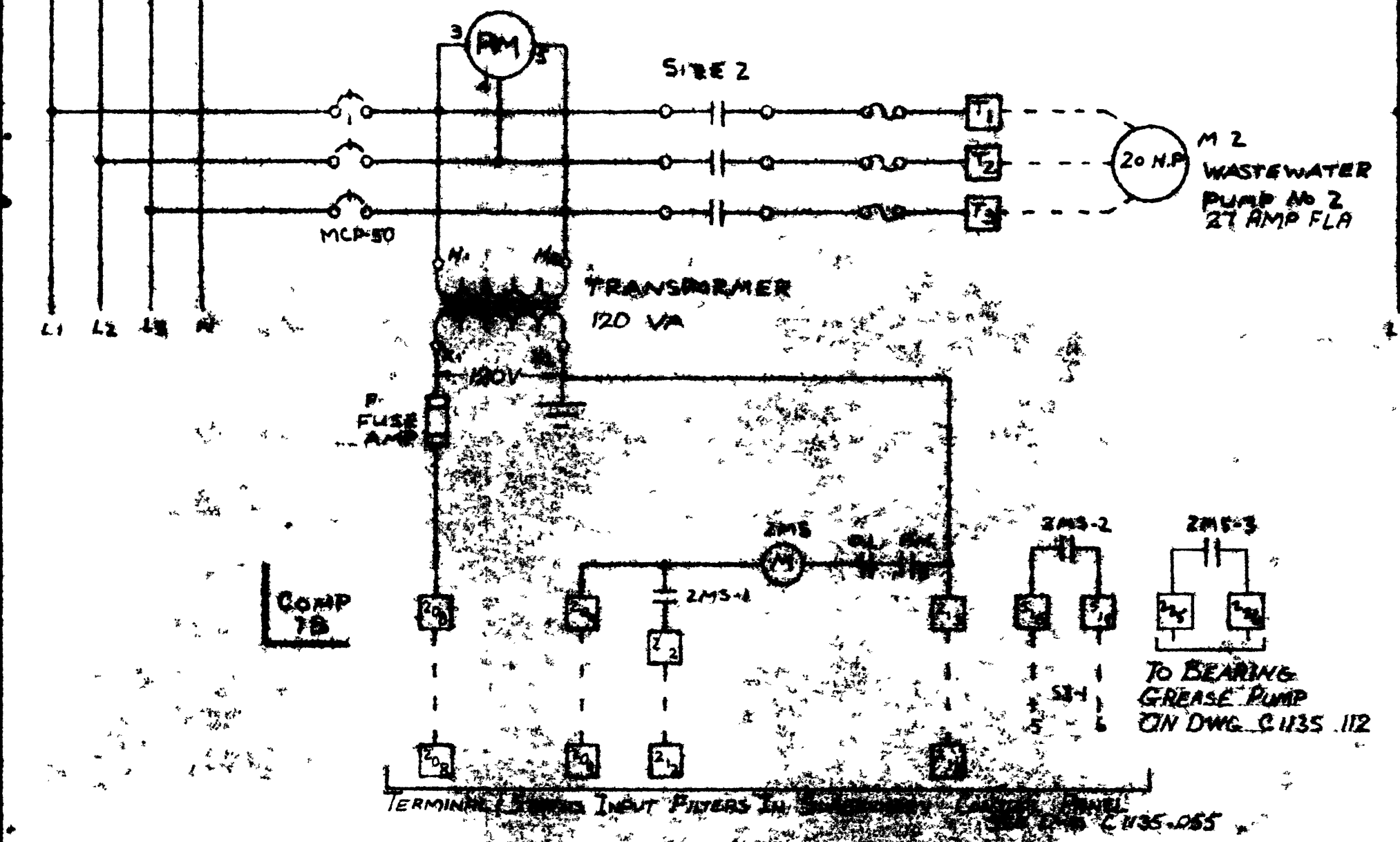
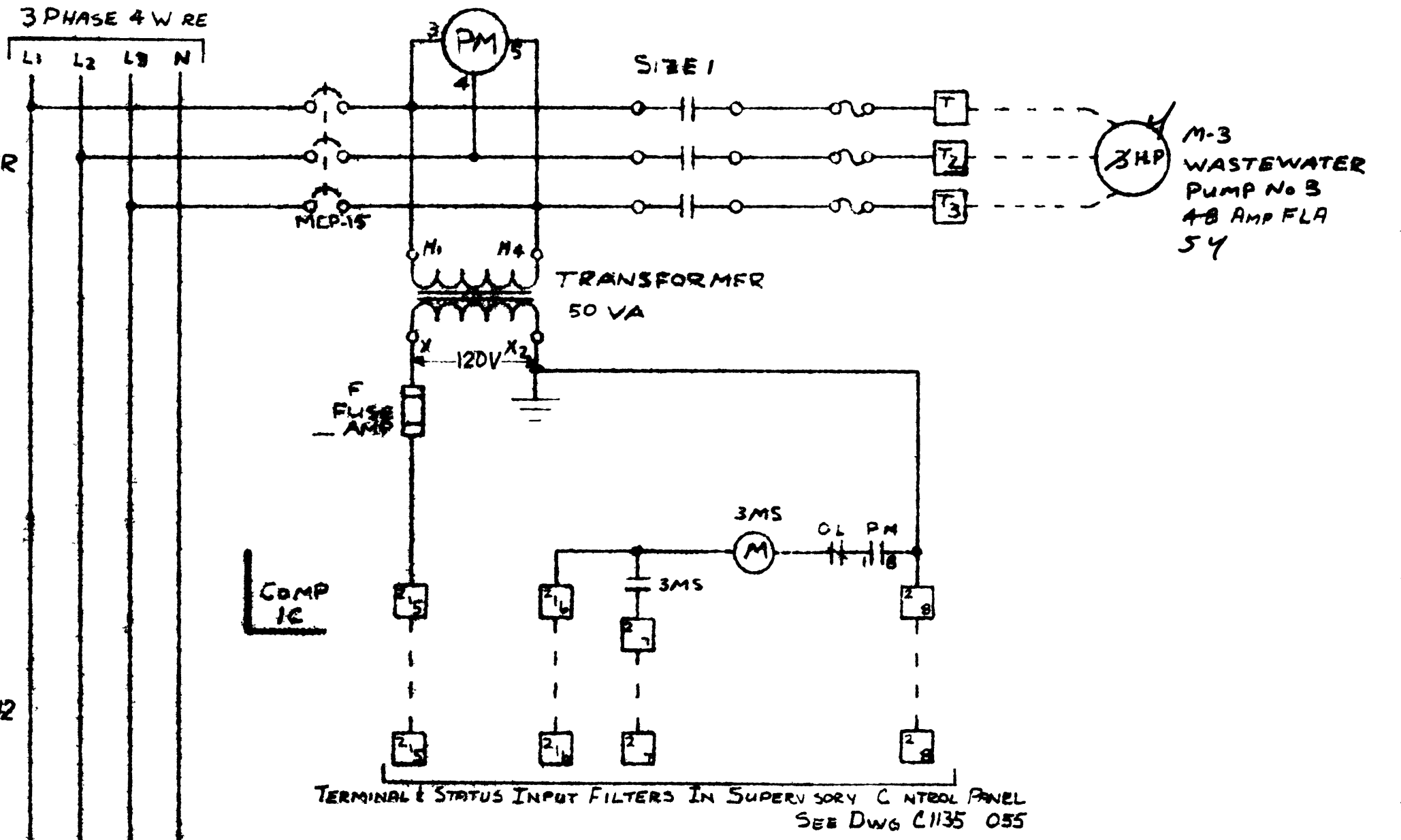
INDICATING POWER
 BY A 3-PHASE, 4 WIRE

NO. 1235	DATE	BY	REVISION
SUPERIOR, WISC.		1235	
C/1135-1			

277/480V
3 PHASE, 4 WIRE

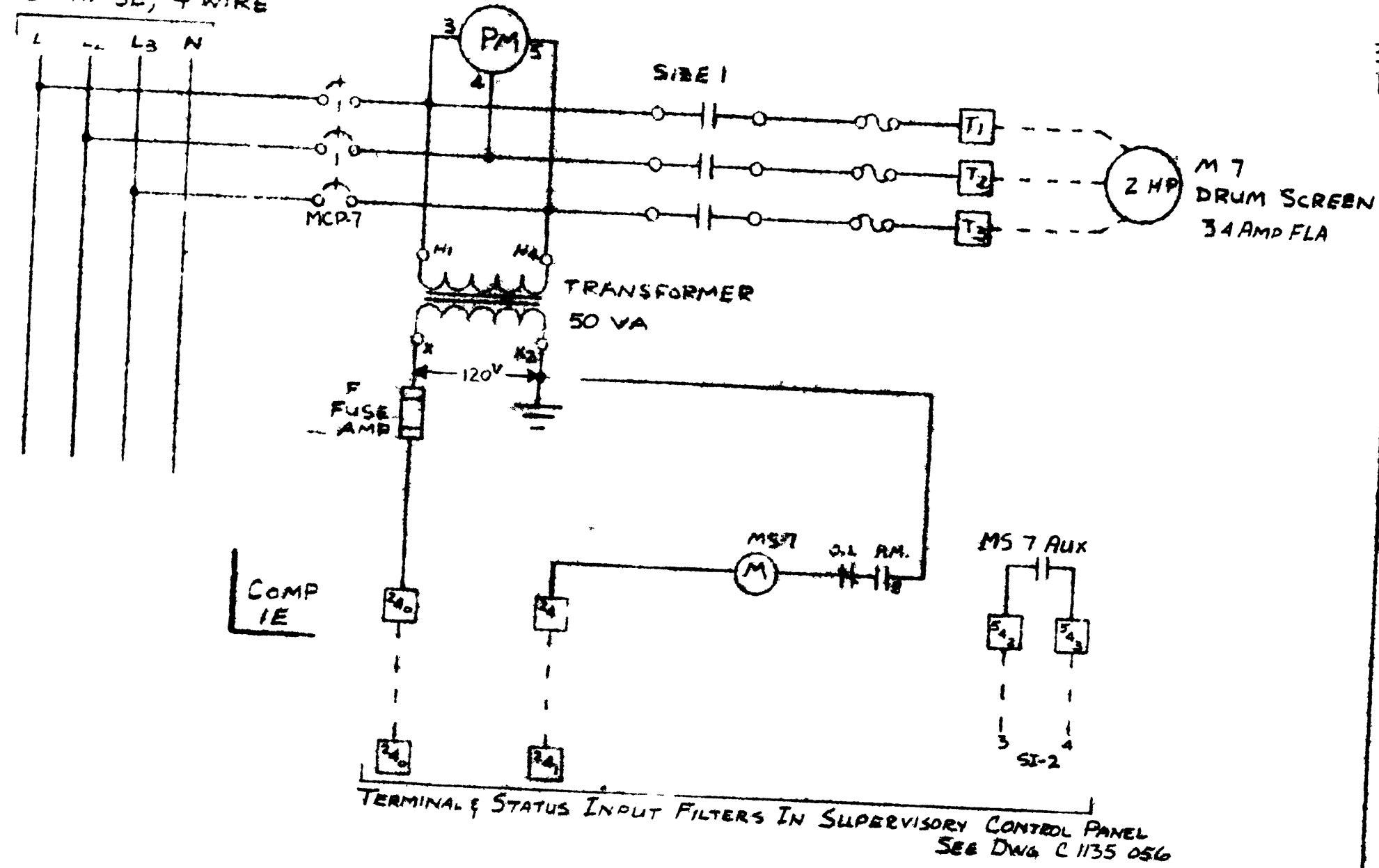


277/480V
3 PHASE 4 W RE

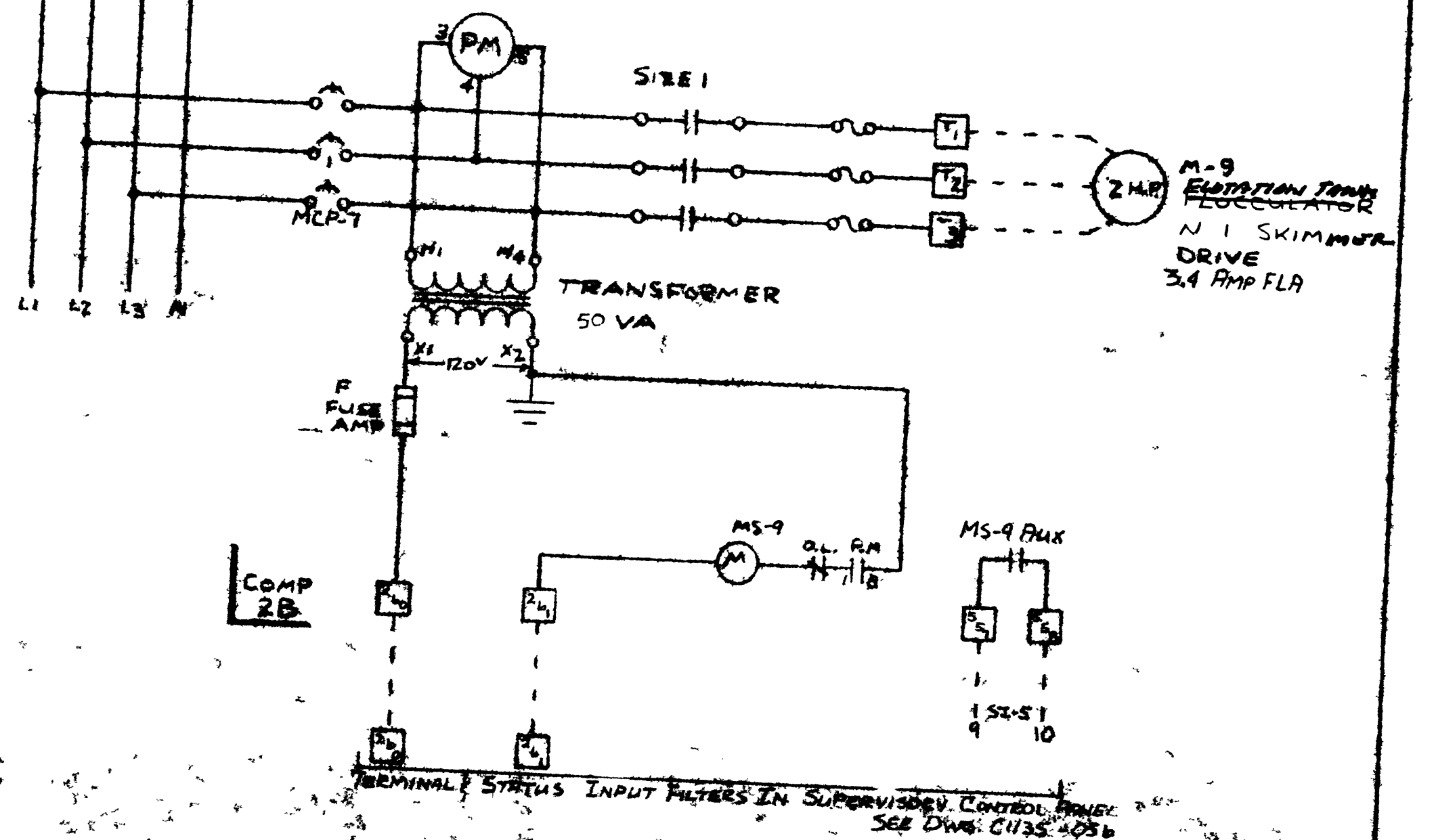
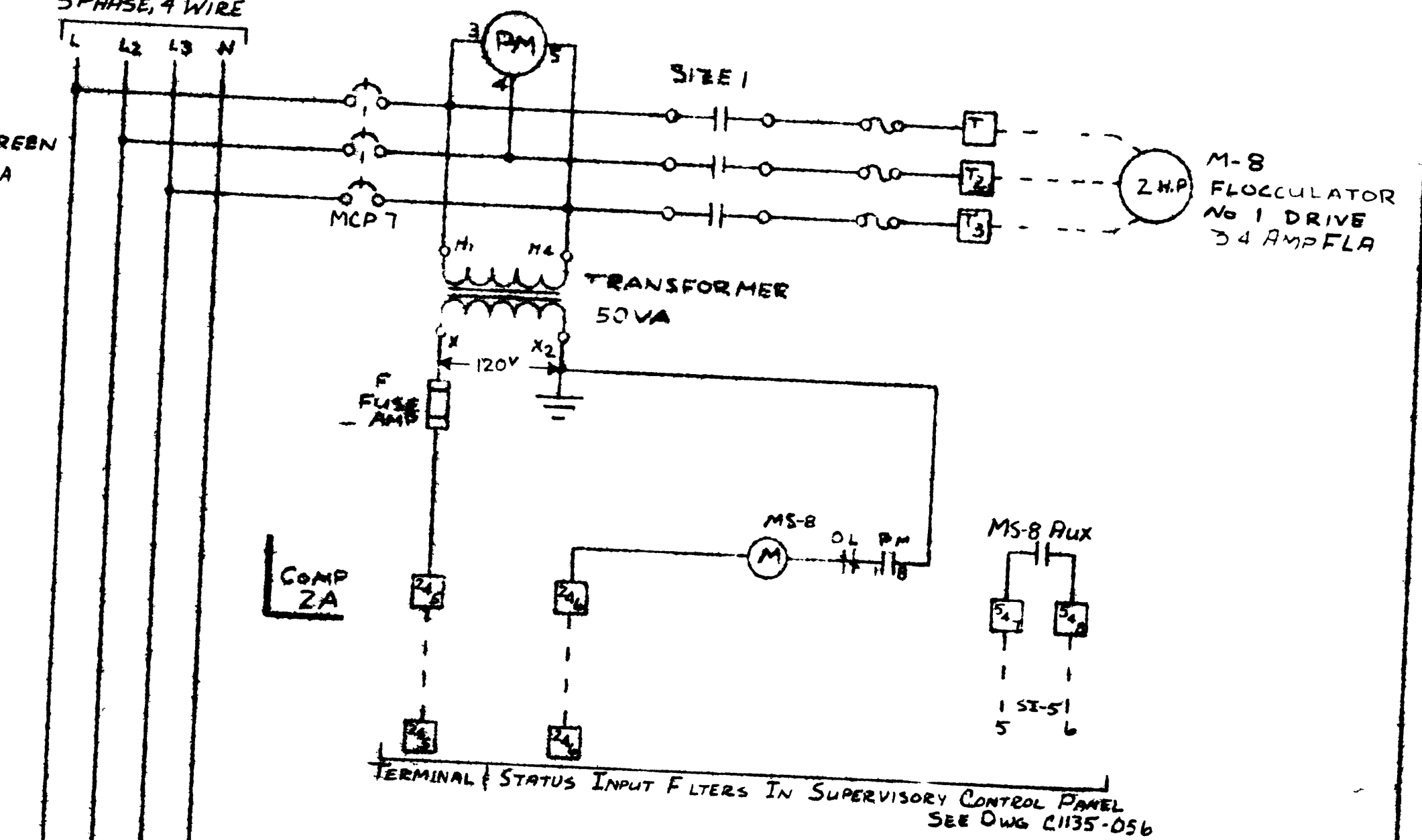


SUPERIOR WISC. 1235	
MOTOR CONTROL CENTER WIRING	
C1135-105	

277/480V
3 PHASE, 4 WIRE

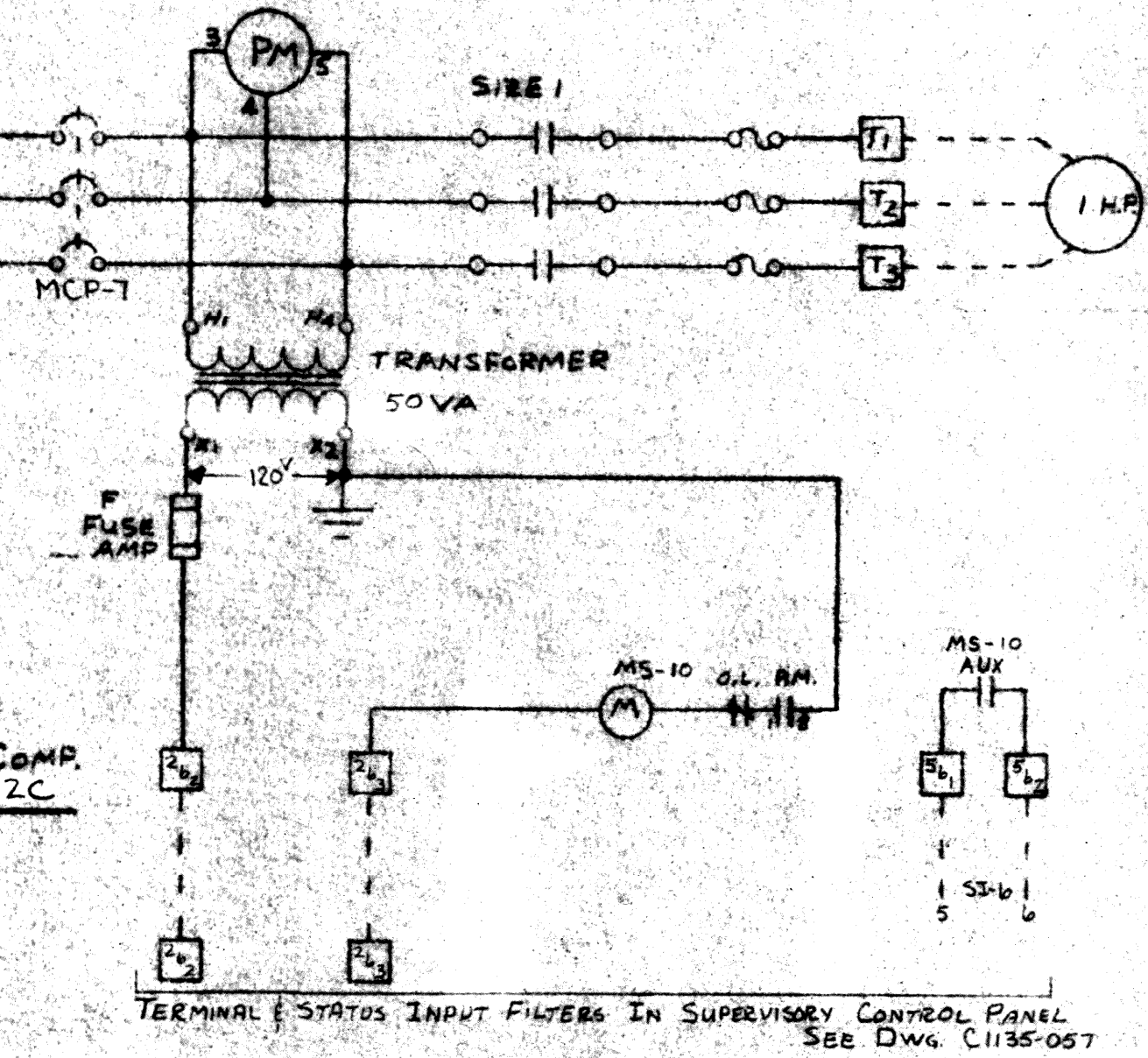


277/480V
3 PHASE, 4 WIRE

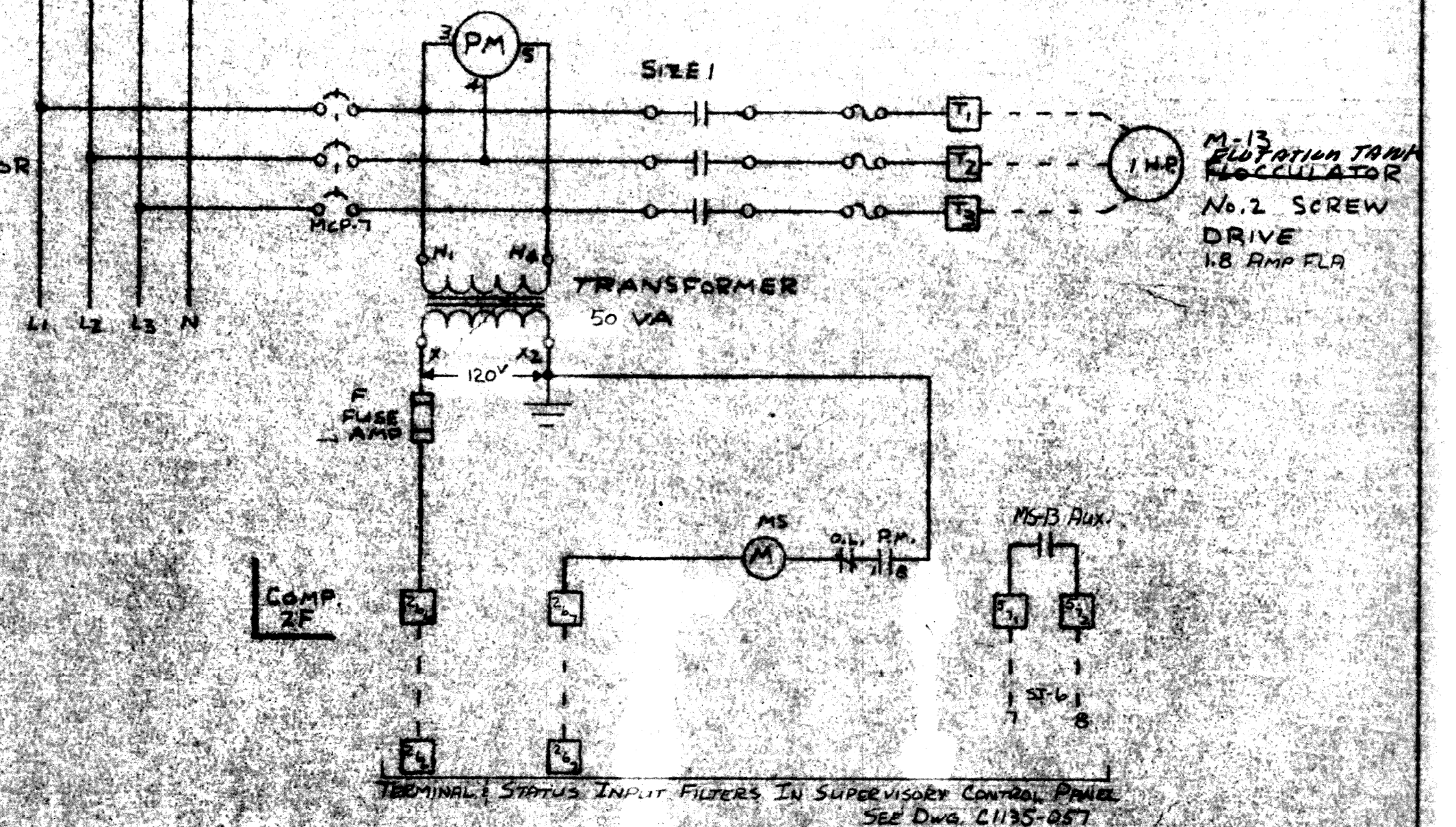
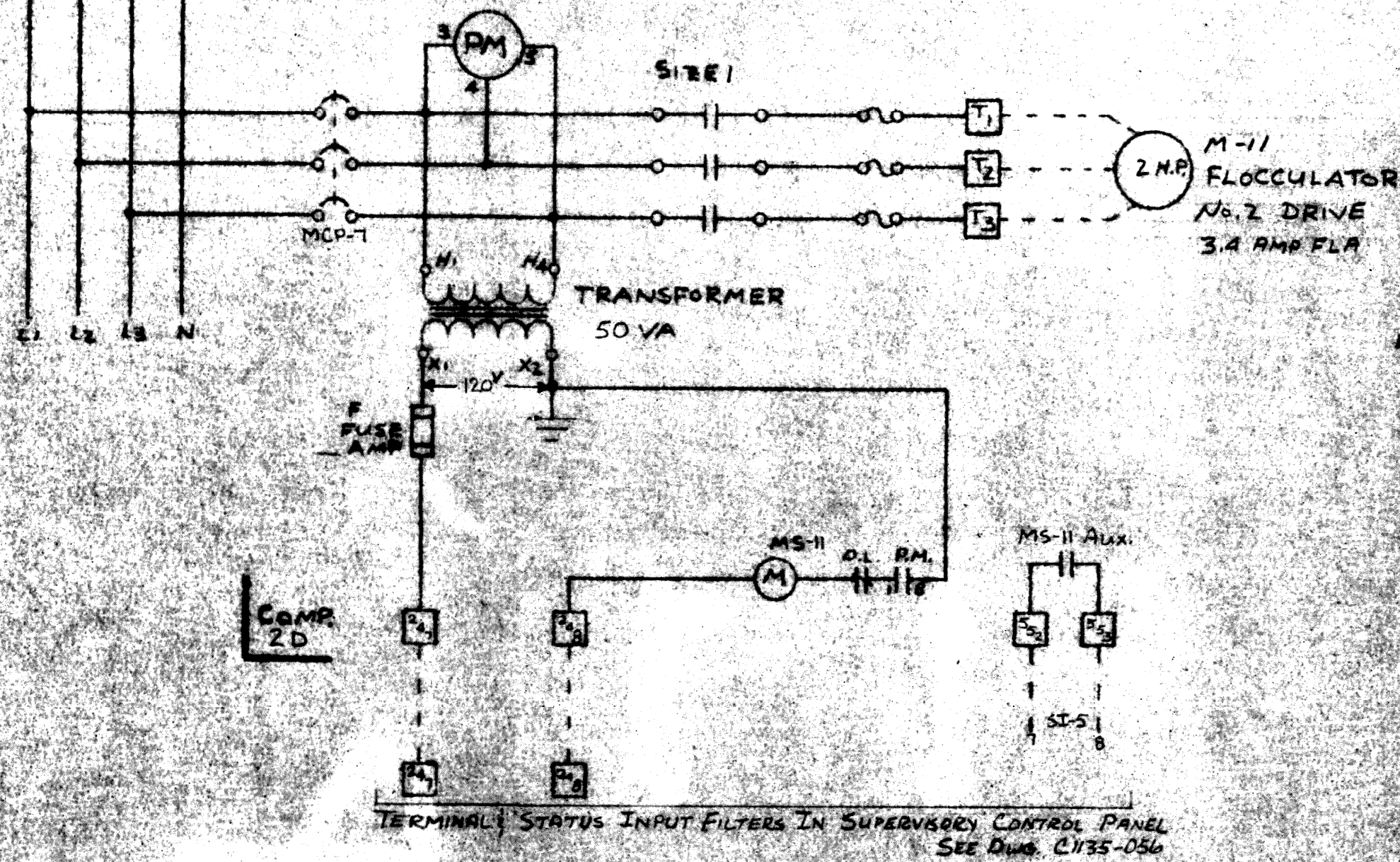
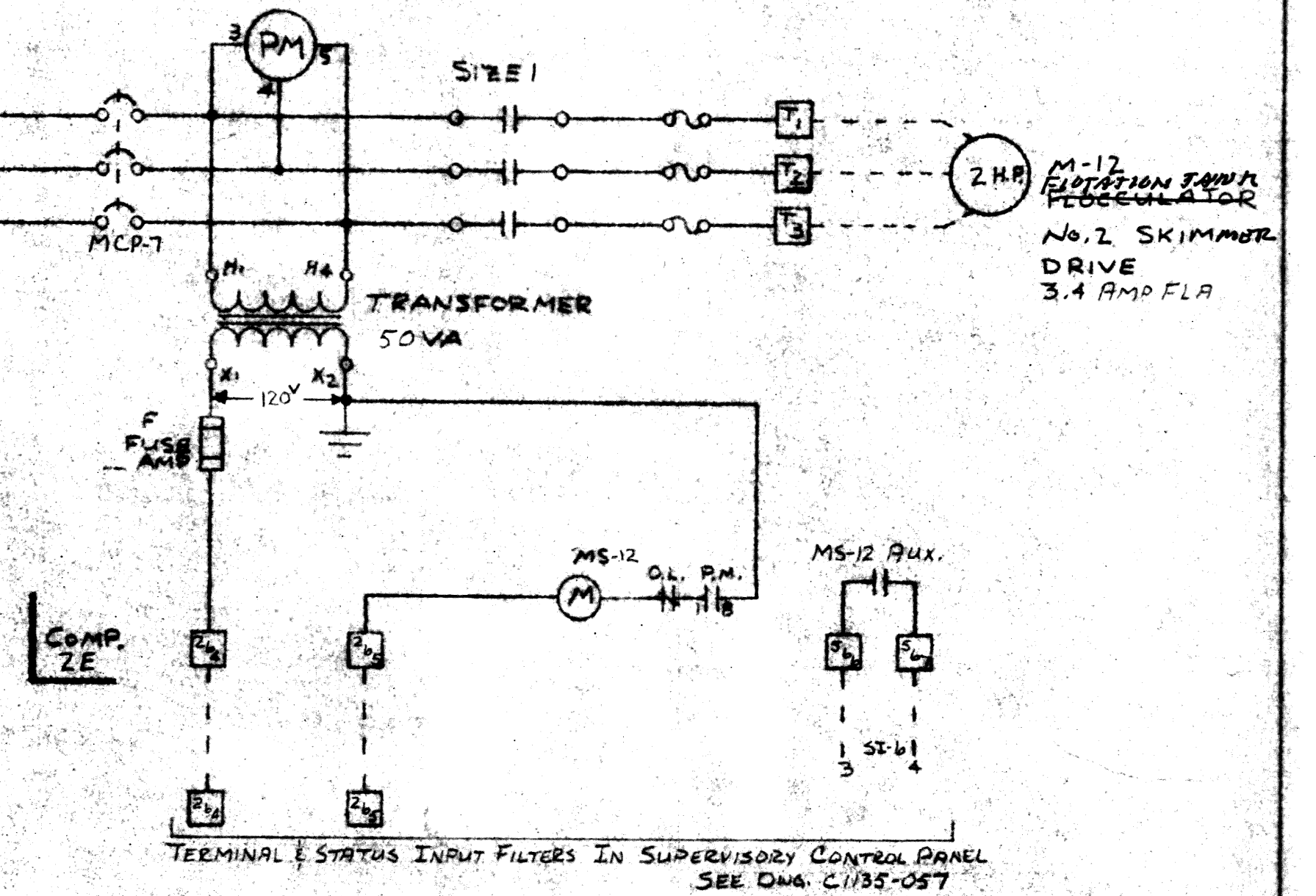


SUPERIOR WISE		1235	
MOTOR CONTROL CENTER WIRING		C1135-106	

277/480V
3 PHASE, 4 WIRE

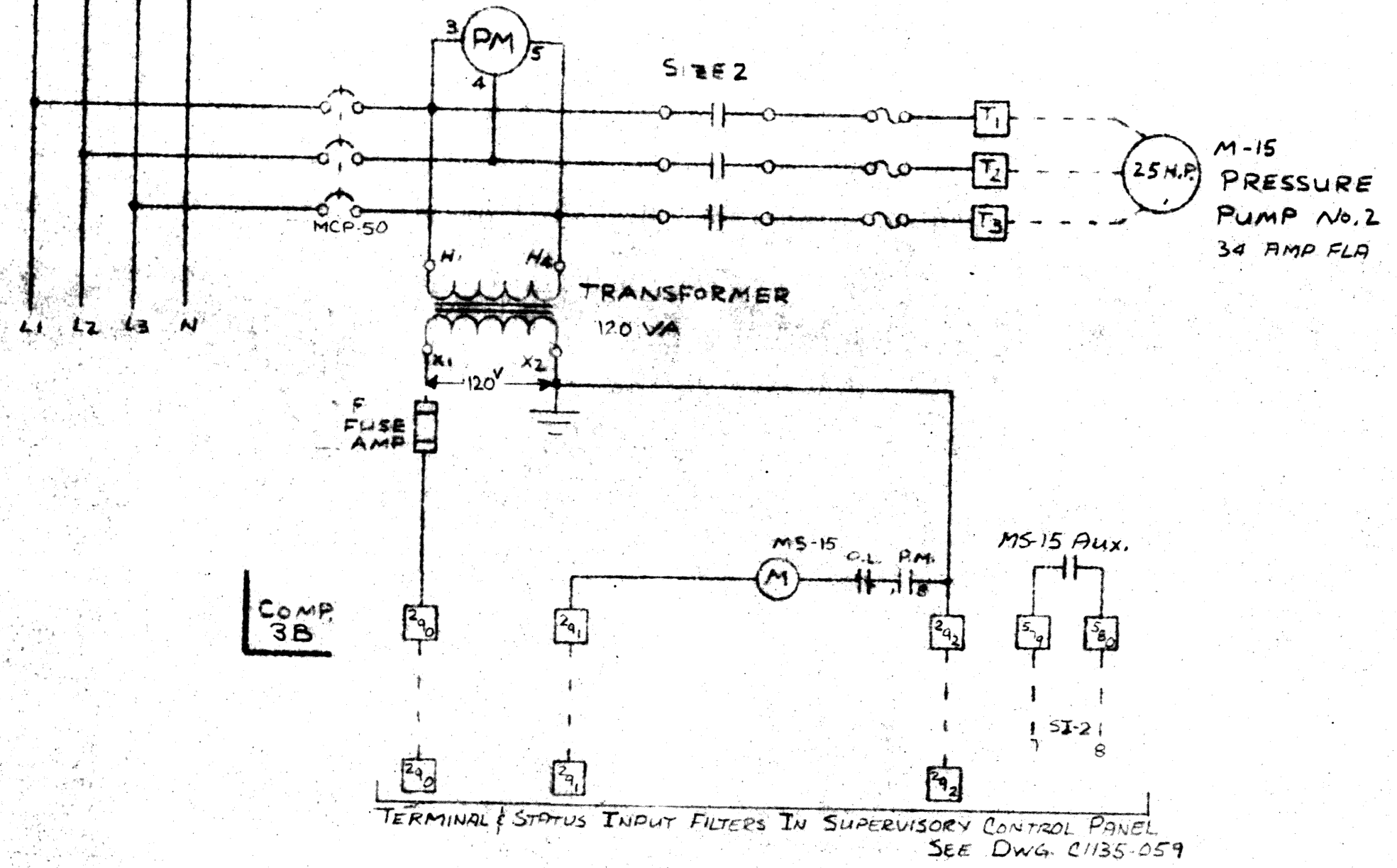
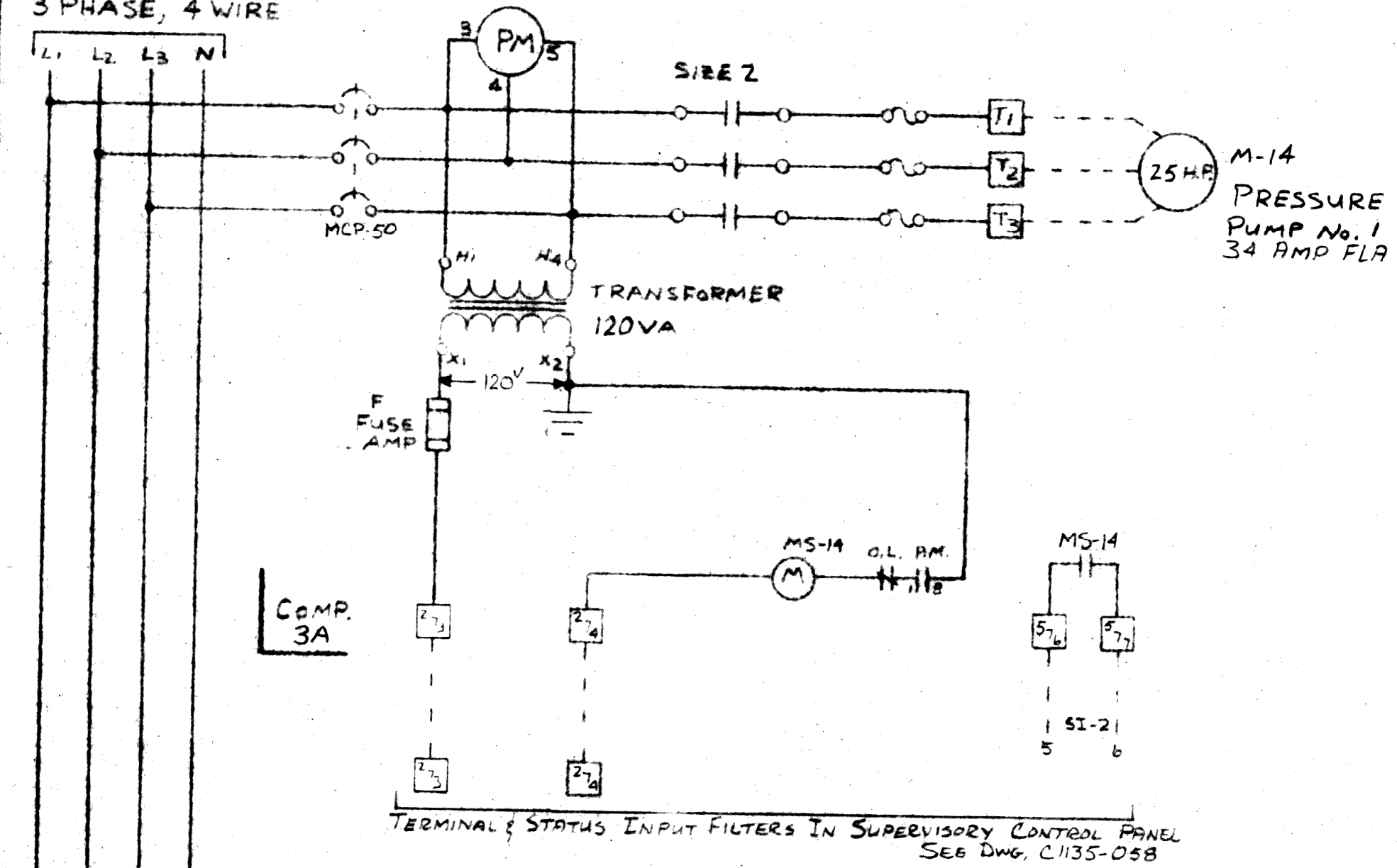


277/480 V
3 PHASE, 4 WIRE

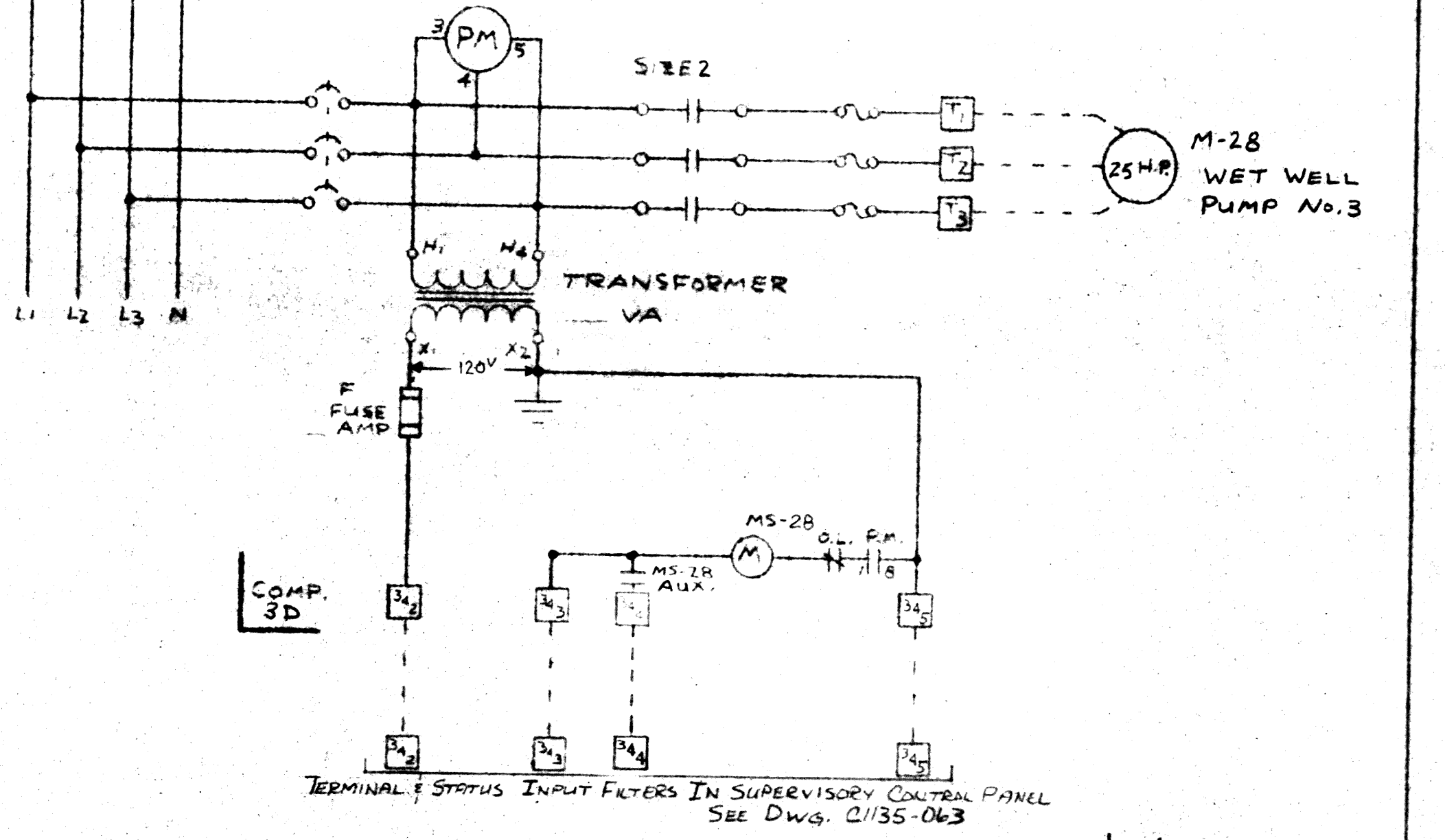
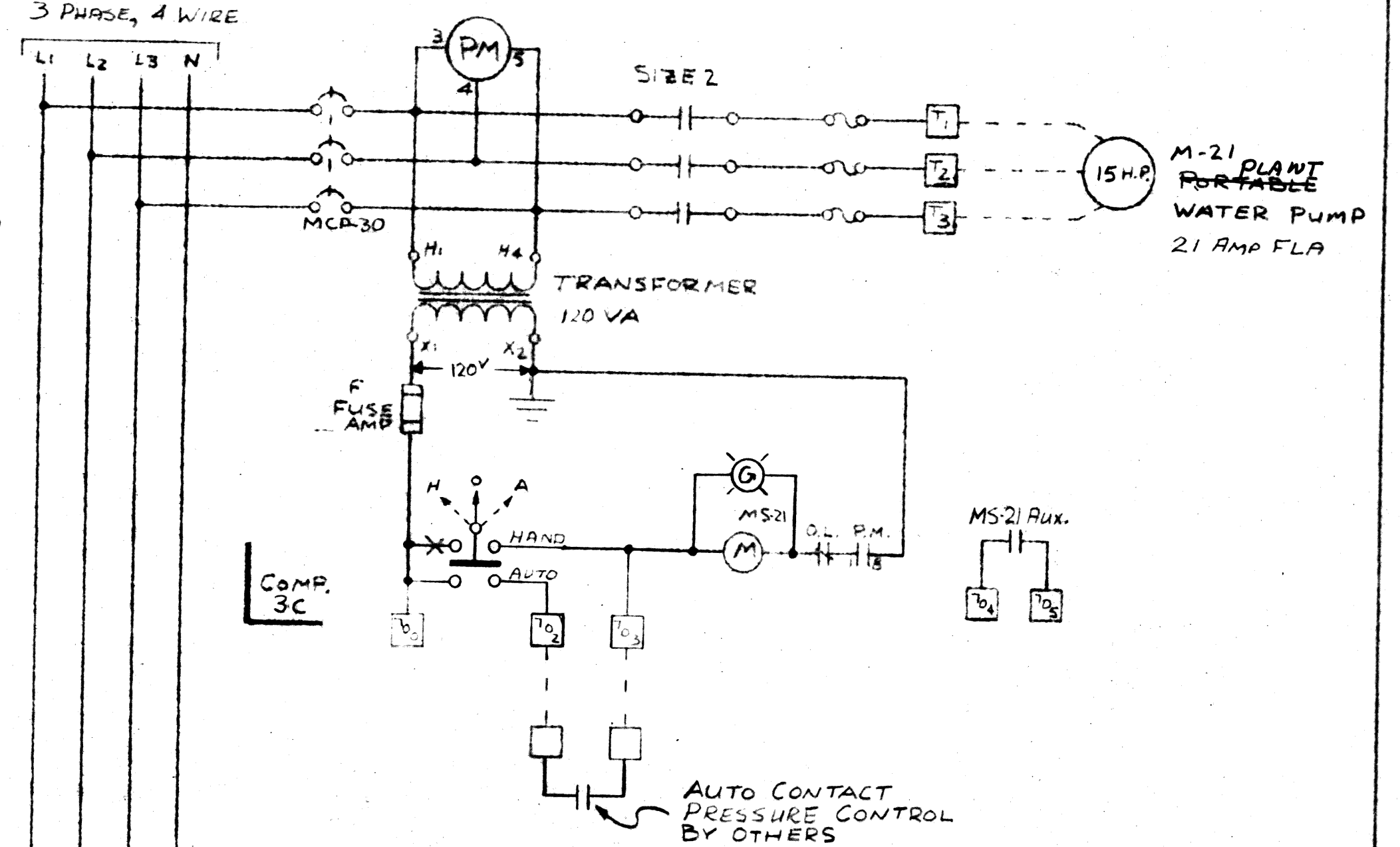


		edison controls inc <small>MANUFACTURERS OF MOTOR CONTROL DEVICES</small>	
SUPERIOR, WISC.		1235	
MOTOR CONTROL CENTER WIRING		C/135-107	

277/480V
3 PHASE, 4 WIRE

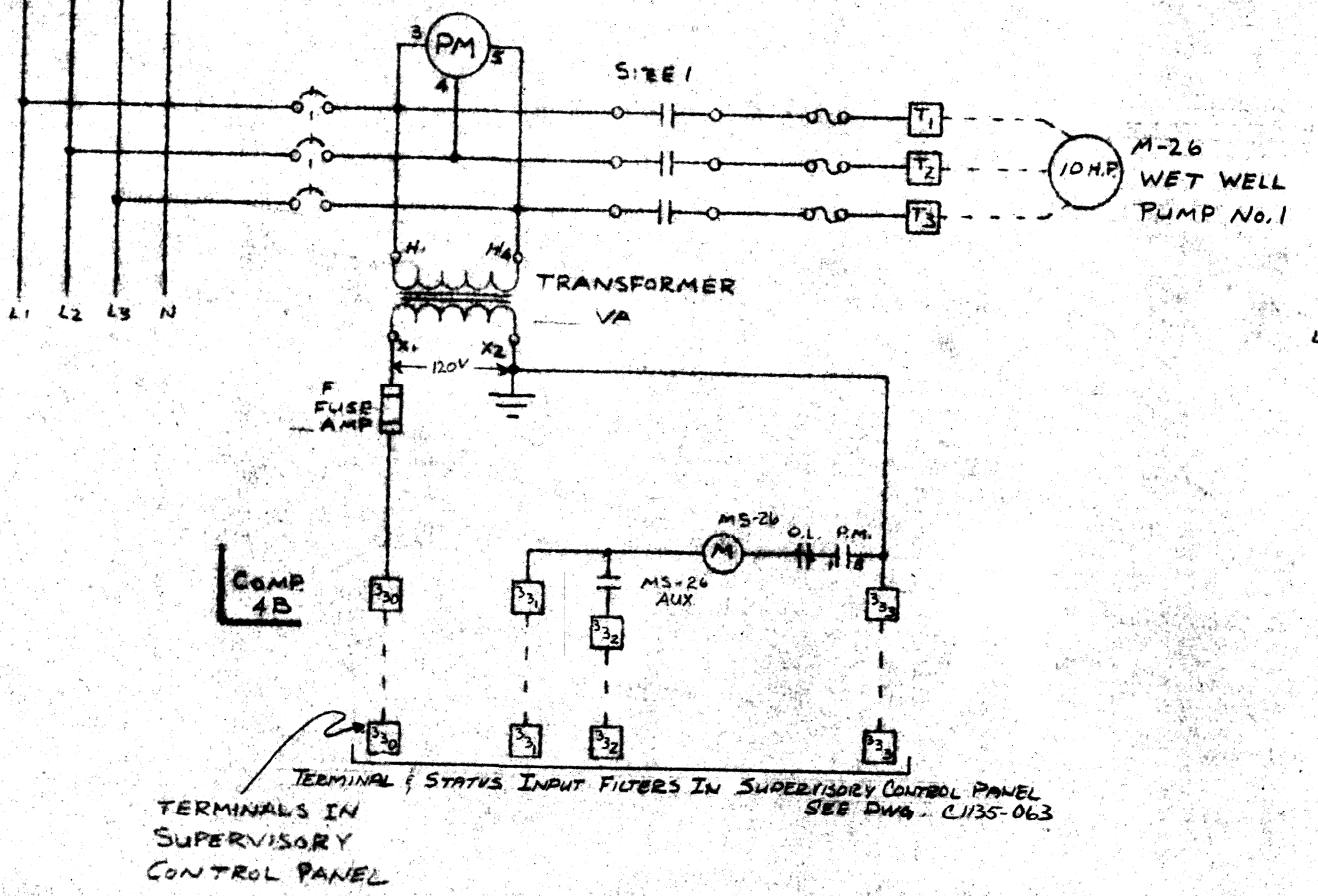
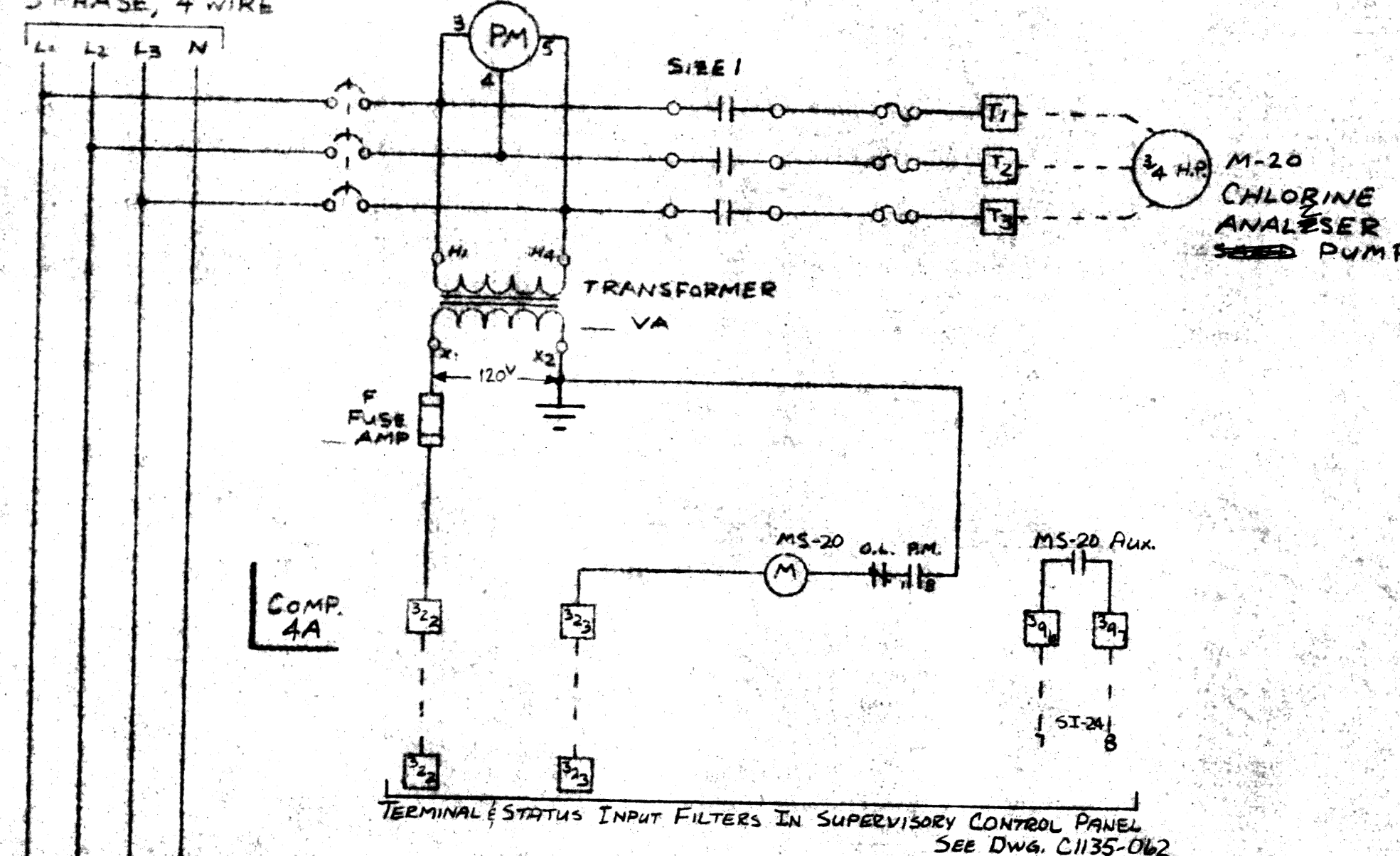


277/480V
3 PHASE, 4 WIRE

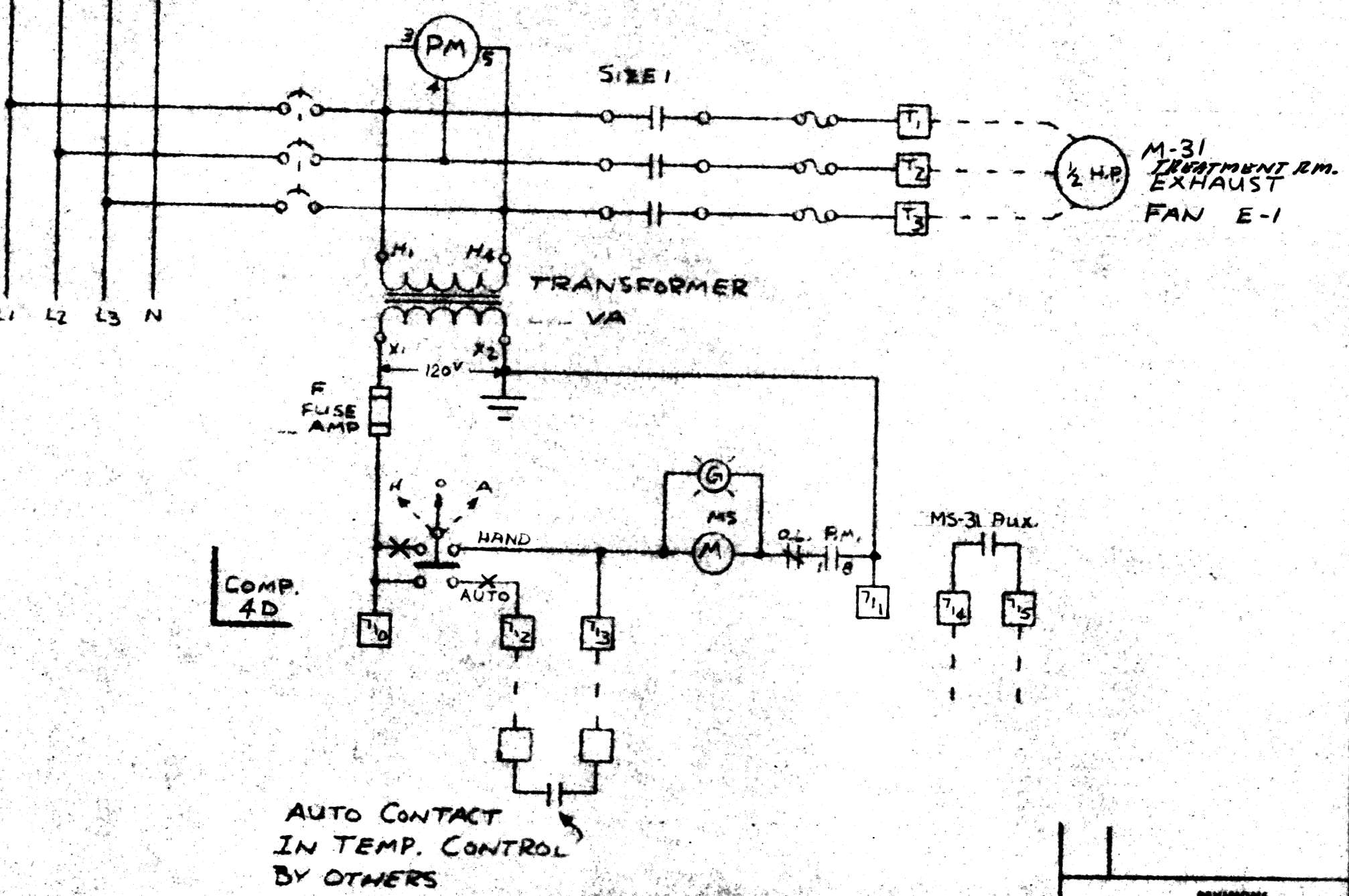
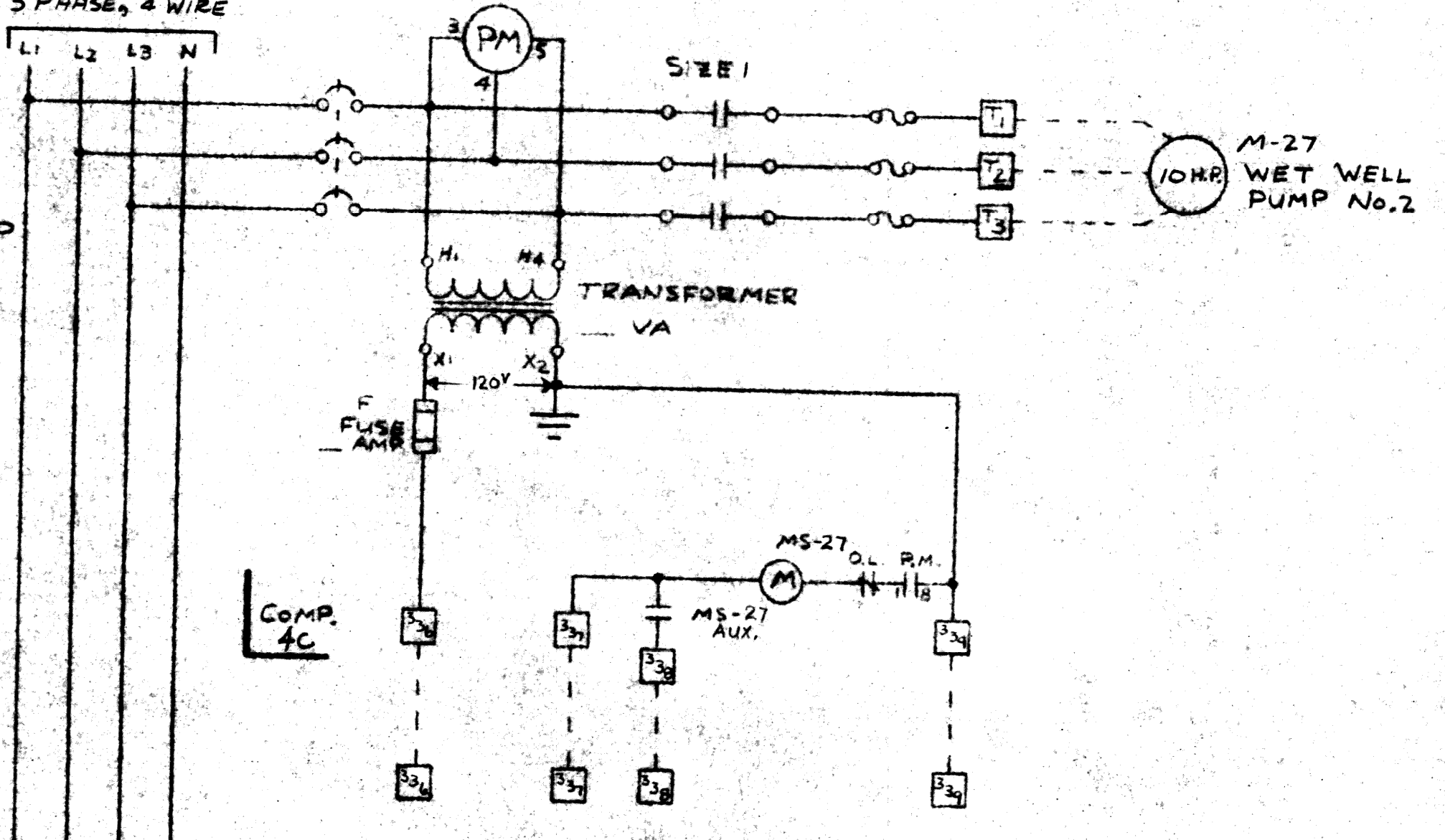


REVISIONS		edison controls inc	
DESIGNED BY	DATE	2500 E 7th AVE, NORTH ST PAUL, MINN.	
APPROVED BY	DATE	PROJECT NAME	PRODUCT NO.
SCALE		SUPERIOR WISC.	1235
TITLE		DRAWING NO.	
MOTOR CONTROL CENTER WIRING		C1135-108	

277/480V
3 PHASE, 4 WIRE

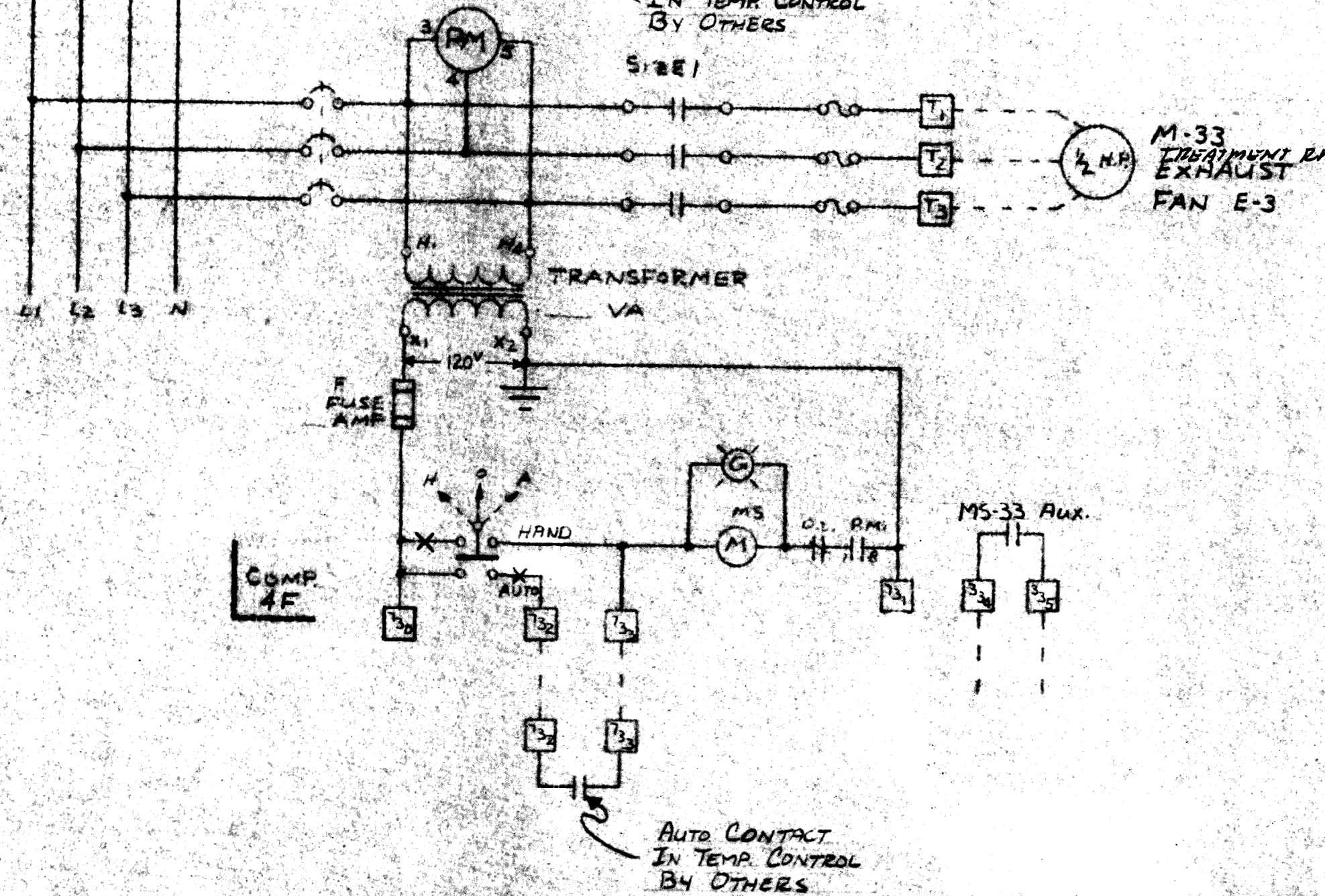
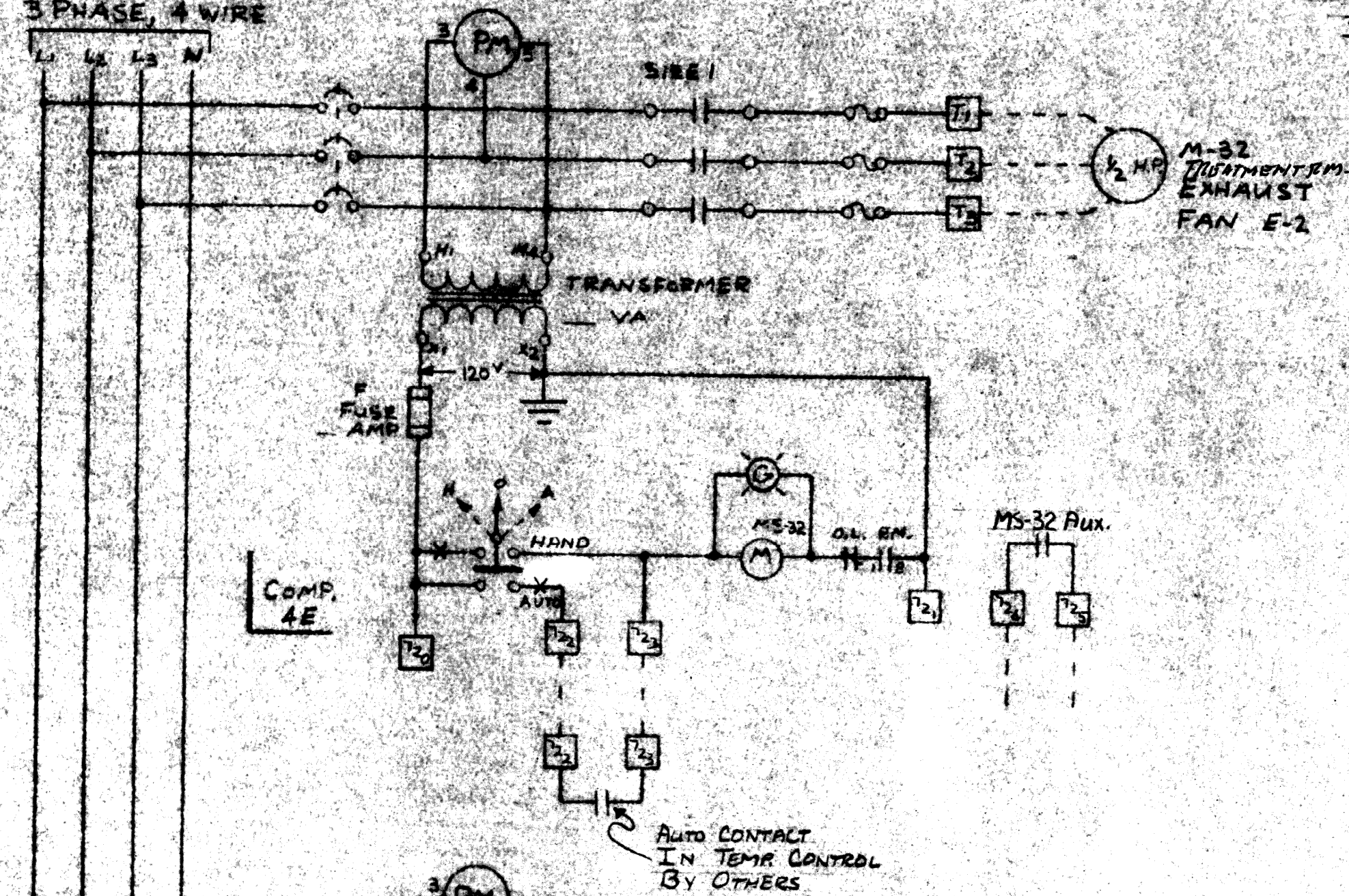


277/480V
3 PHASE, 4 WIRE

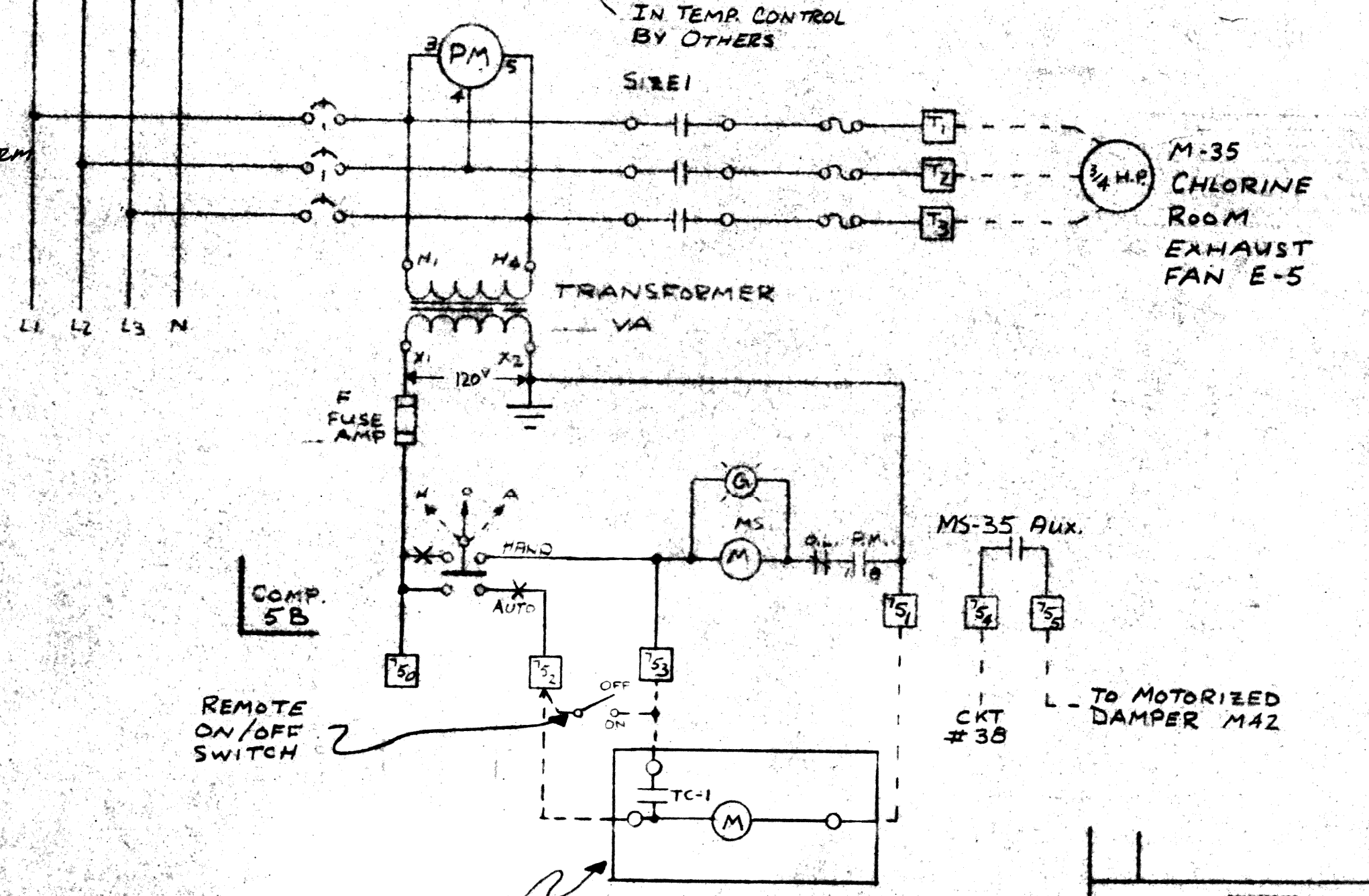
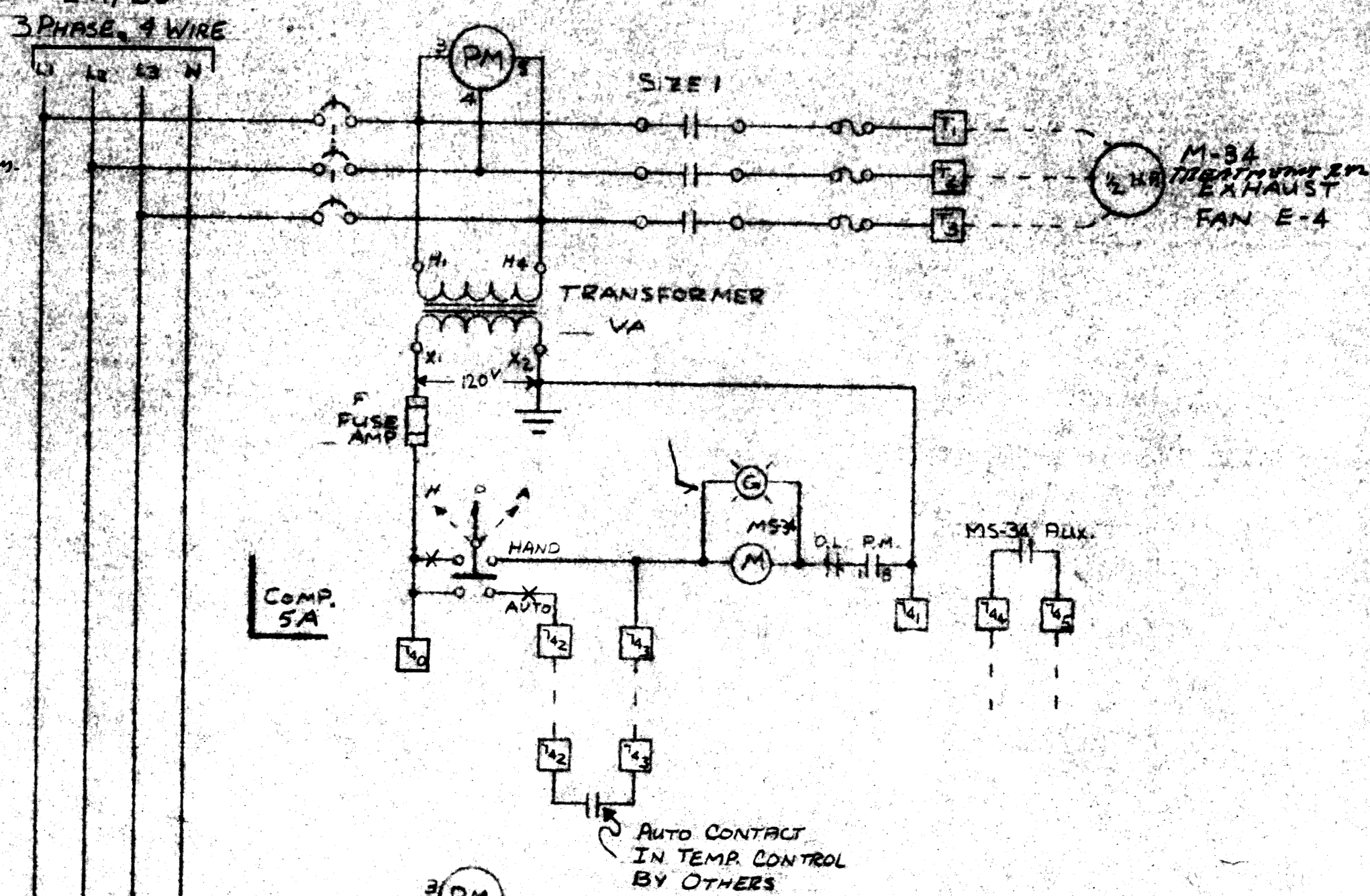


		edison controls inc <small>2848 E. 7th AVE. NORTH ST. PAUL, MINN.</small>	
Project No. C1135-109	Date 12-35	Location SUPERIOR, WISC.	Drawing No. 1235
MOTOR CONTROL CENTER WIRING			Scale 1/2" = 1'-0"

277/480V
3 PHASE, 4 WIRE



277/480V
3 PHASE, 4 WIRE



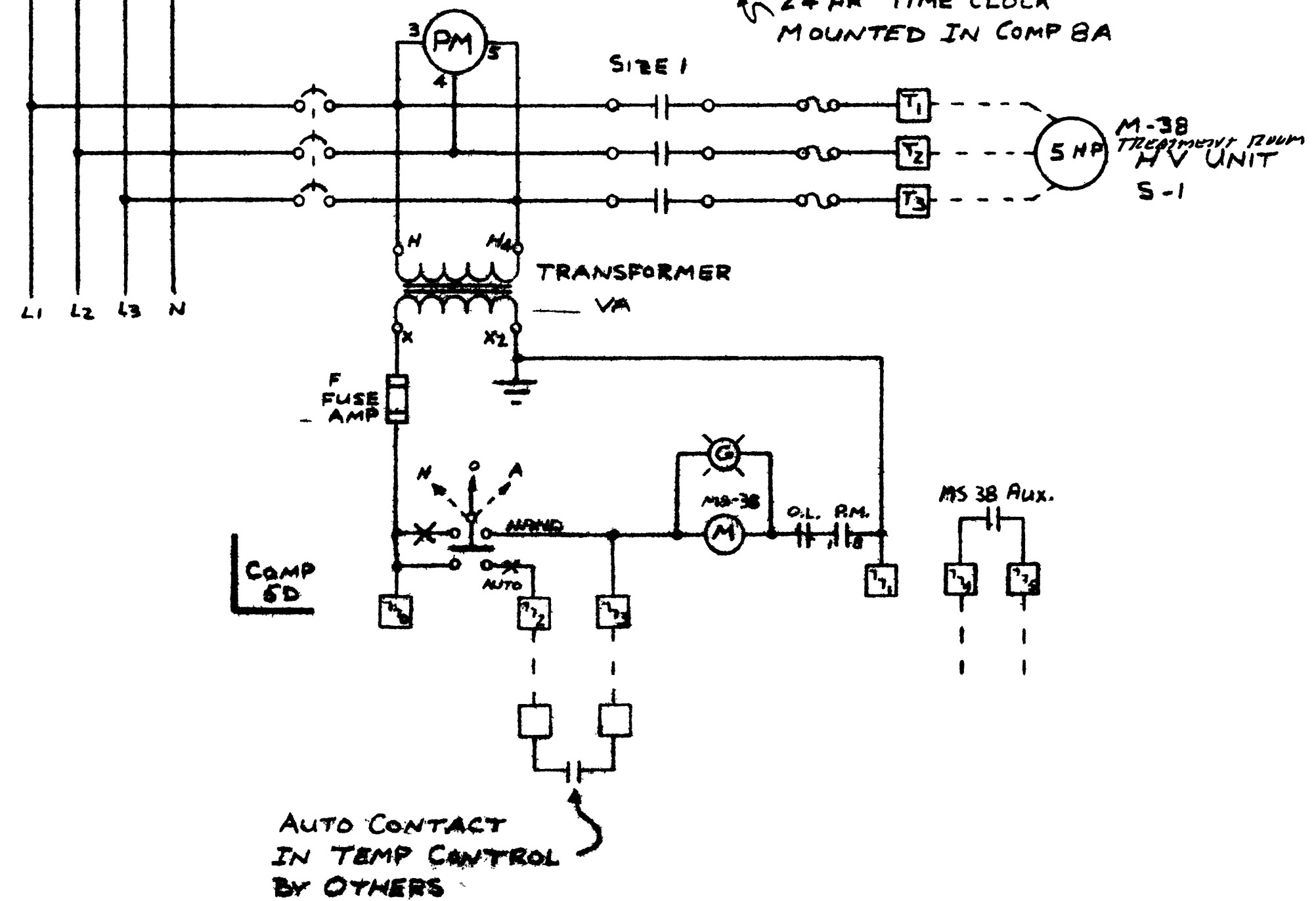
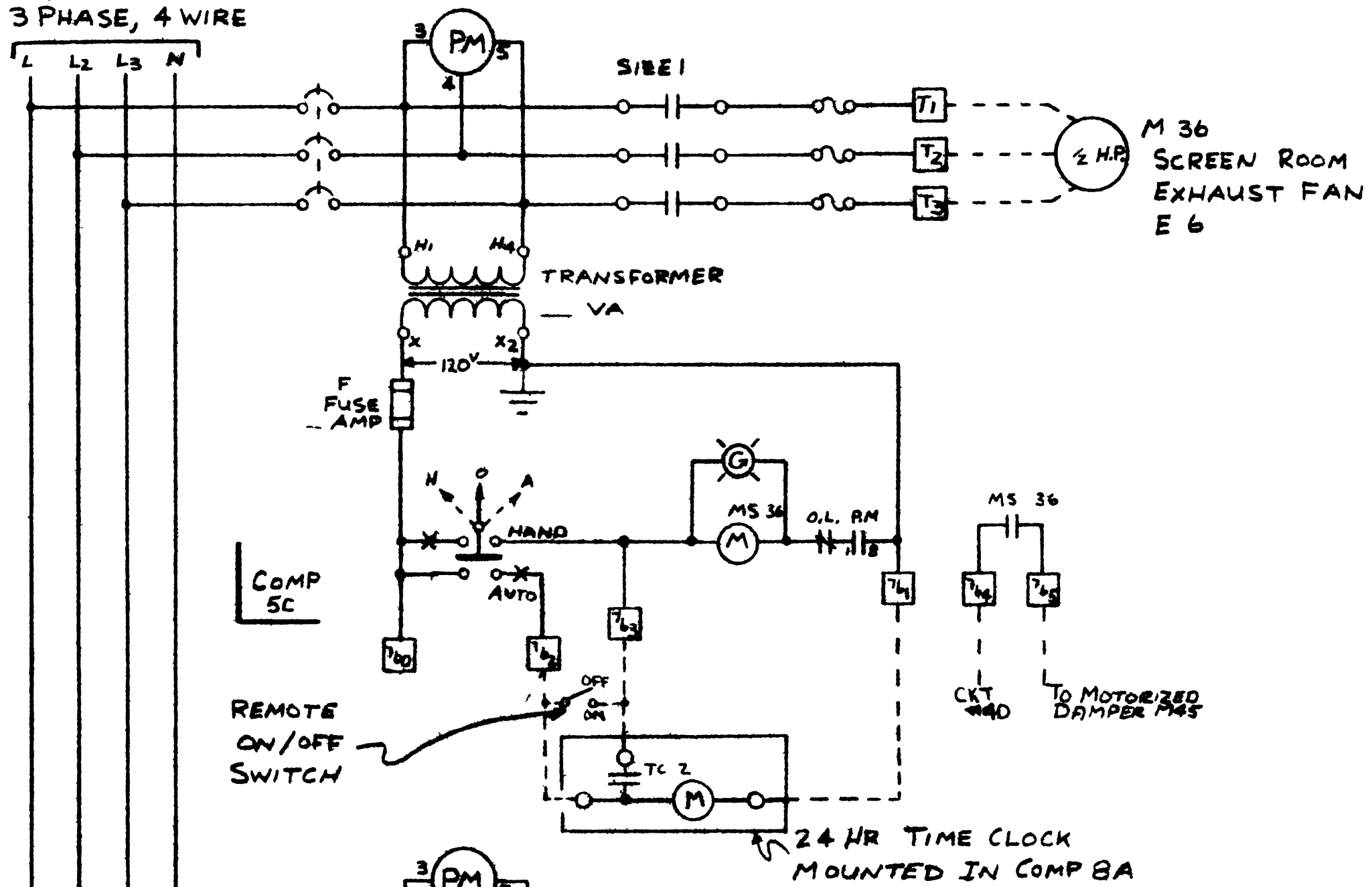
REMOTE ON/OFF SWITCH

24 HR. TIME CLOCK MOUNTED IN COMP. 5A

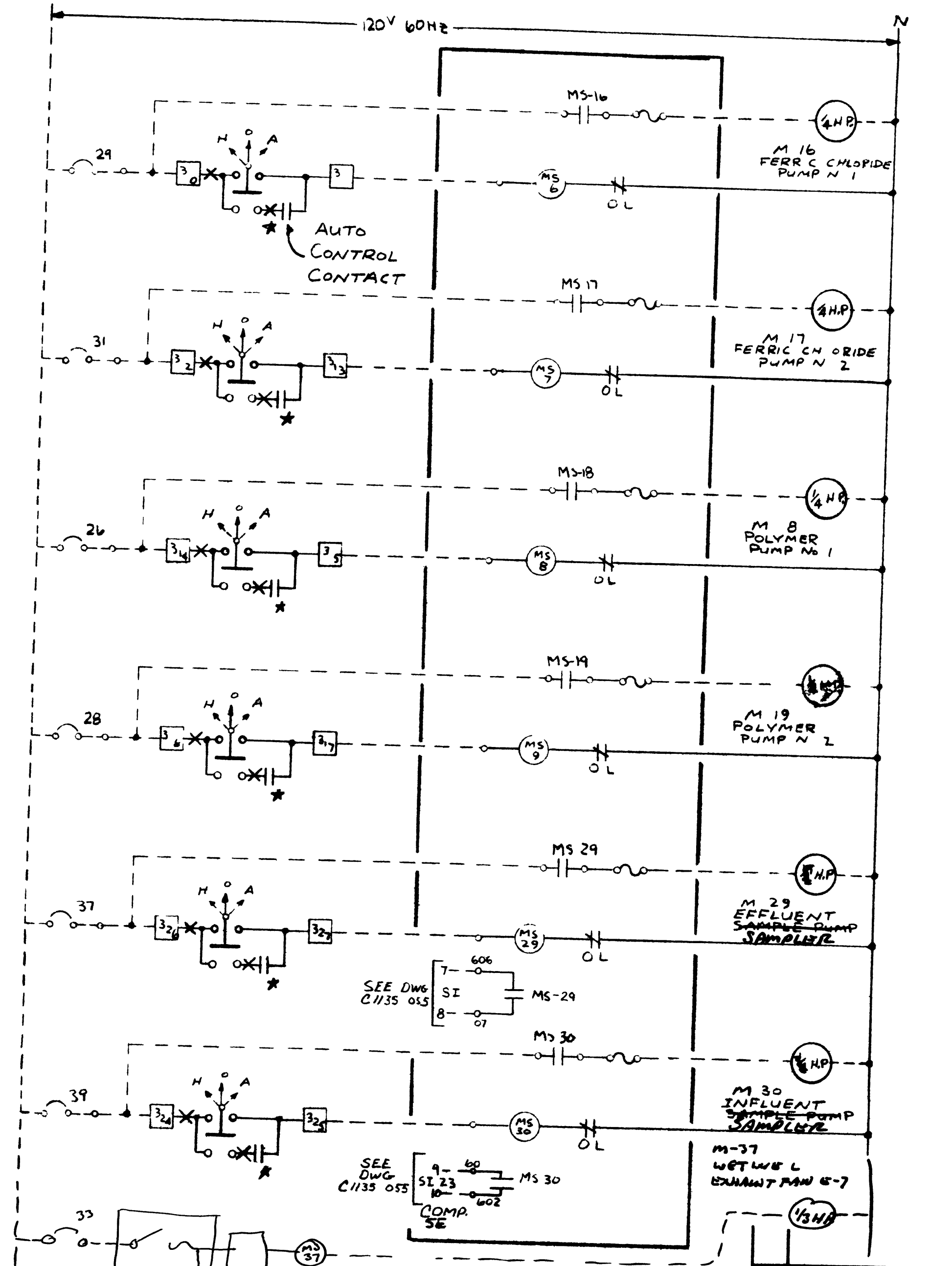
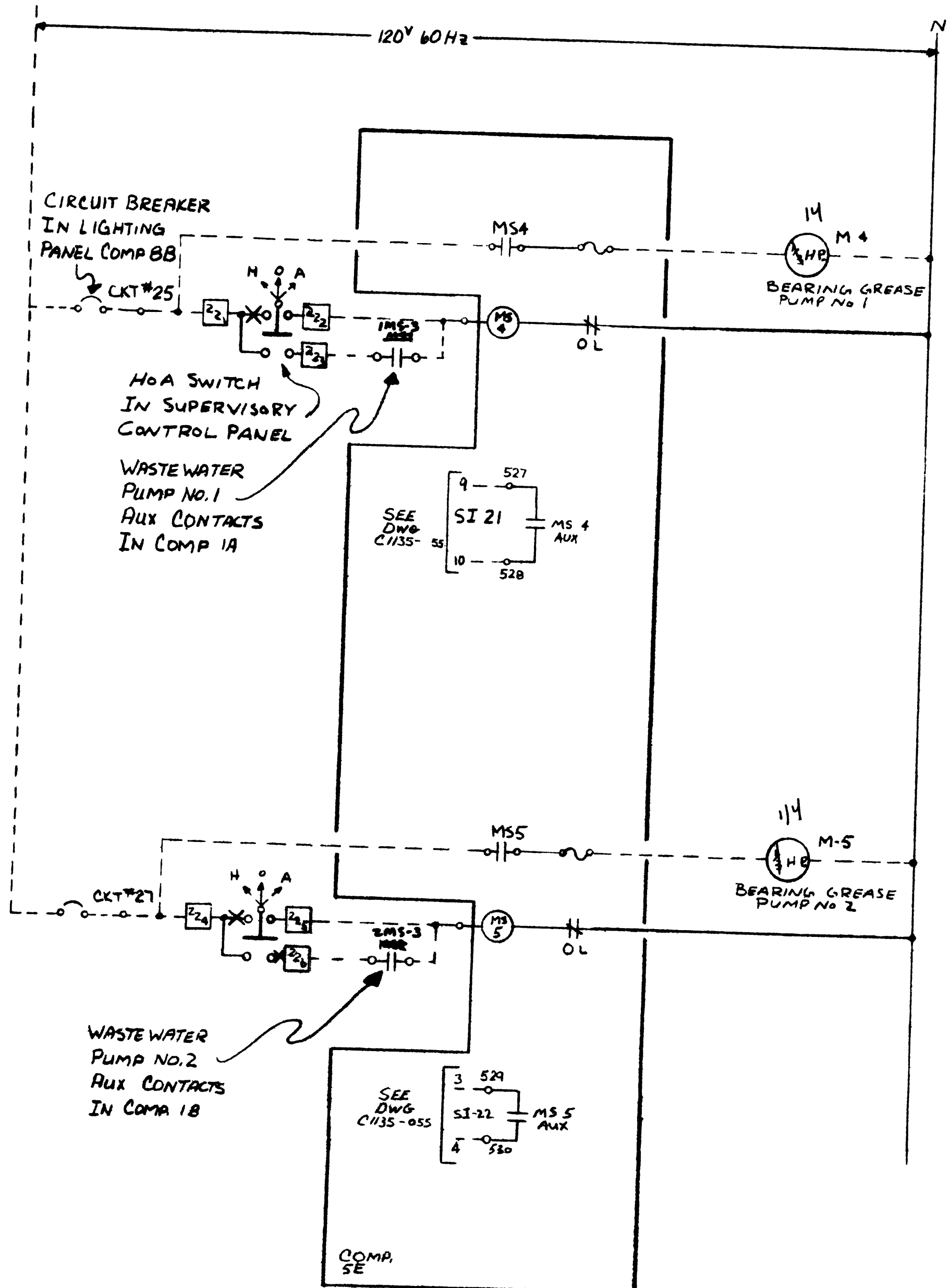
TO MOTORIZED DAMPER M42

DESIGNED BY <i>R. H. ...</i>		DATE 10-19-77	REVISIONS	
CHECKED BY		DATE	edison controls inc	
APPROVED BY		DATE	2508 E. 7th AVE. NORTH ST. PAUL, MINN.	
PROJECT		PROJECT NAME	SUPERIOR, WISC. 1235	
SHEET		MOTOR CONTROL CENTER WIRING		1235
DRAWING NO.		C/135-110		0

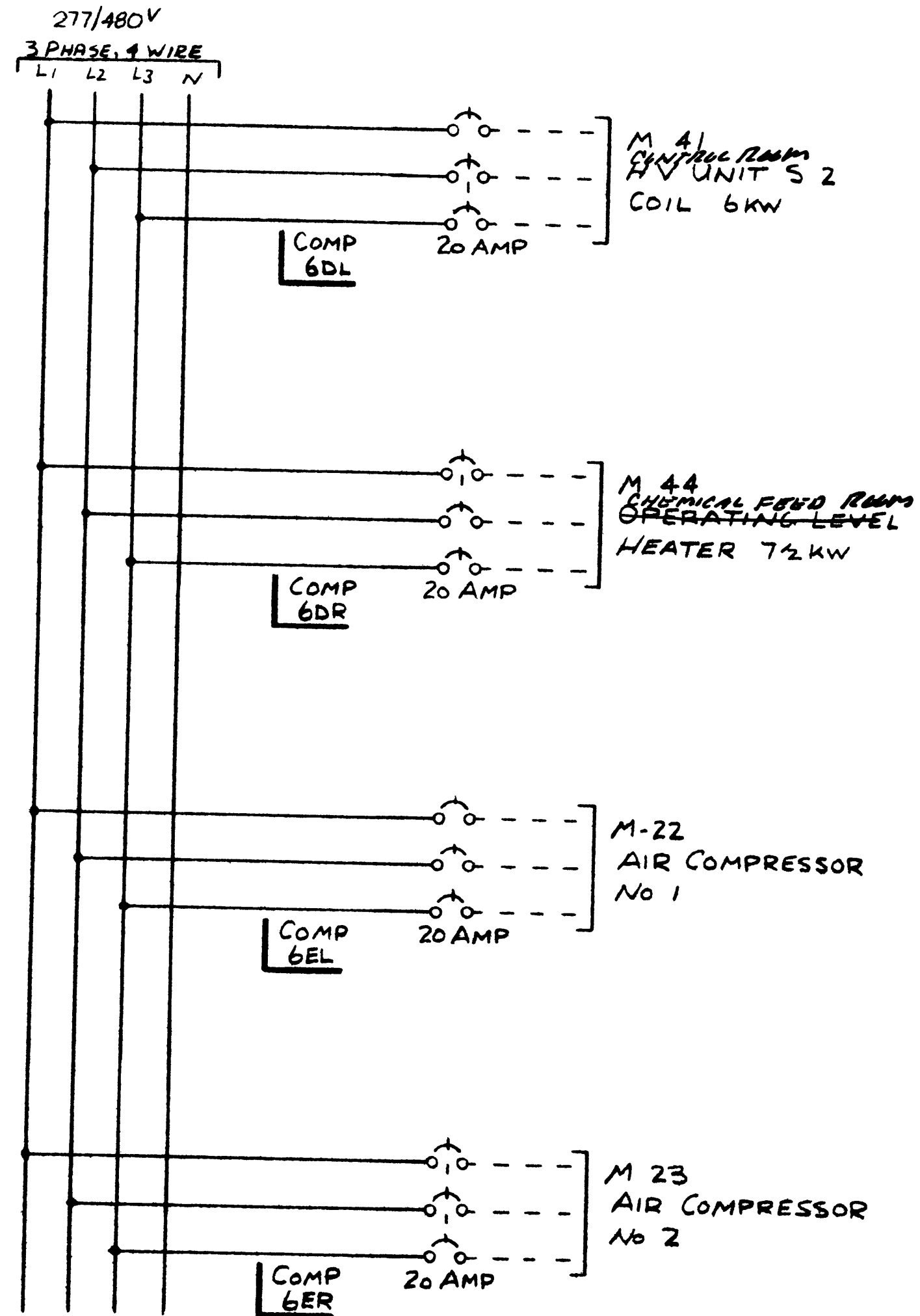
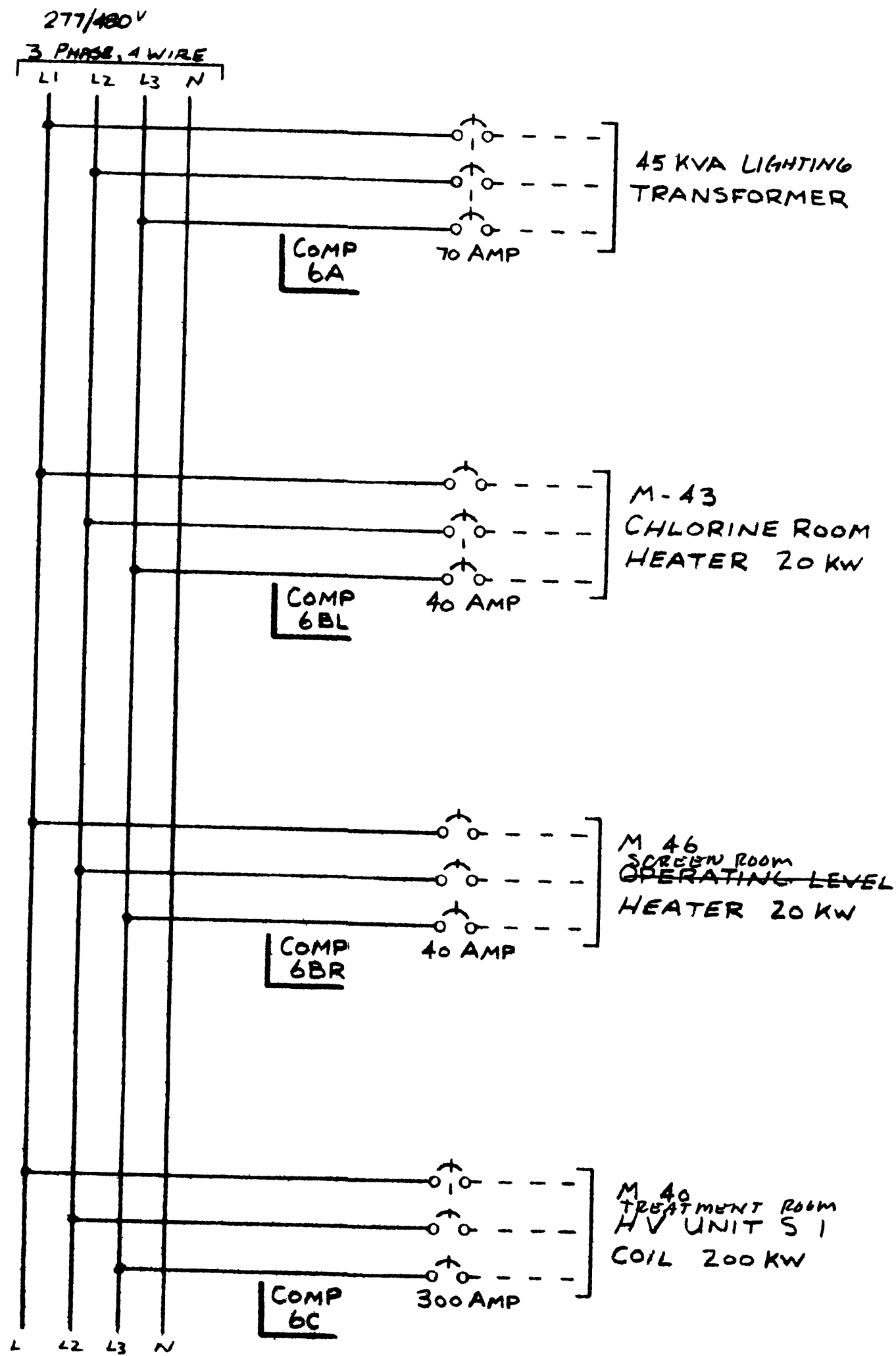
277/480V
3 PHASE, 4 WIRE




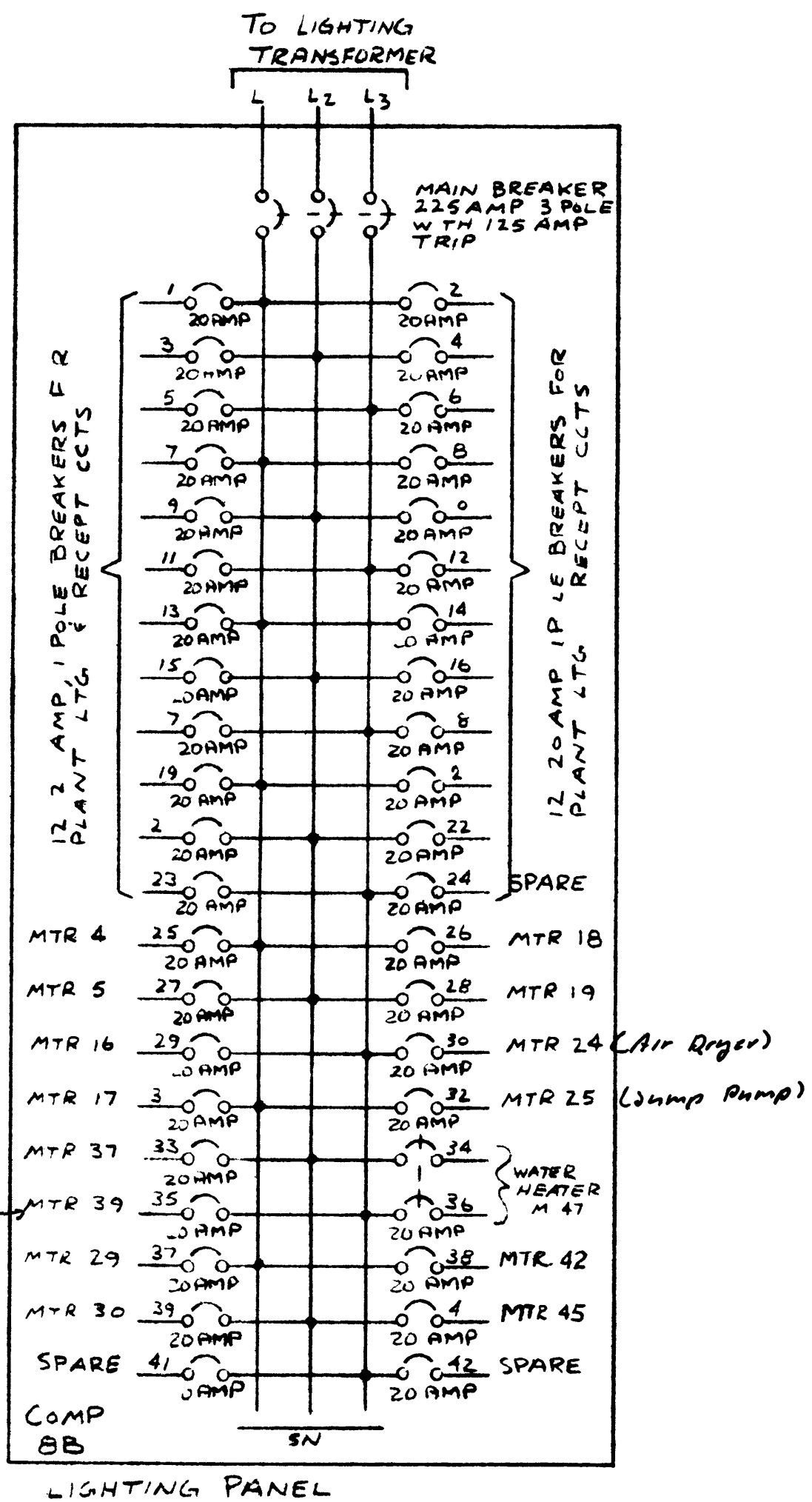
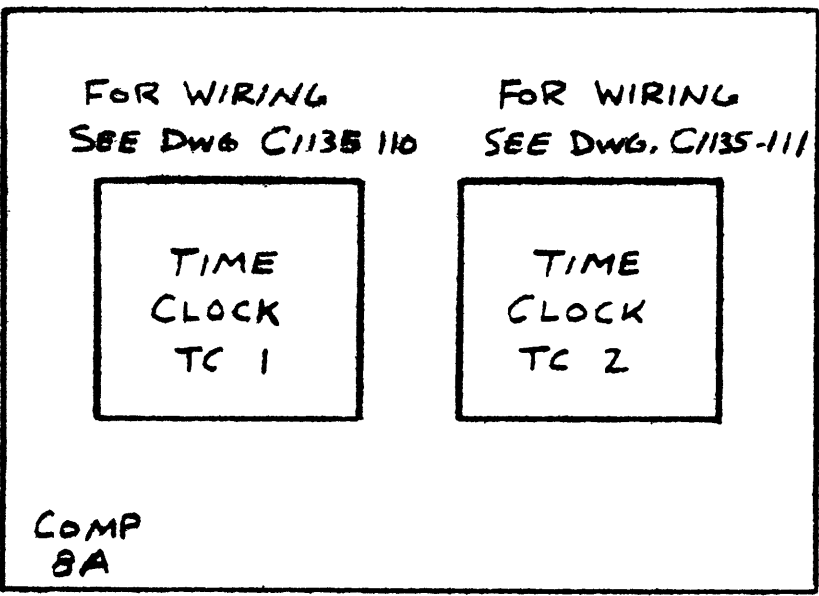
DATE 10-19-22		edison controls inc	
SUPERIOR, WISC		1235	
MOTOR CONTROL CENTER WIRING		C1135-111	



DESIGNED BY L KEMP	DATE 10-21-77		edison controls inc <small>2502 E. 7TH AVE. NORTH ST. PAUL, MINN.</small>	
APPROVED BY	DATE		PROJECT NAME SUPERIOR, WIS	PROJECT NO. 1235
MOTOR CONTROL CENTER WIRING		<small>DR. SHIP. OR NOT SHIP.</small>	<small>DATE</small>	<small>REV.</small>
		C1135 112		0

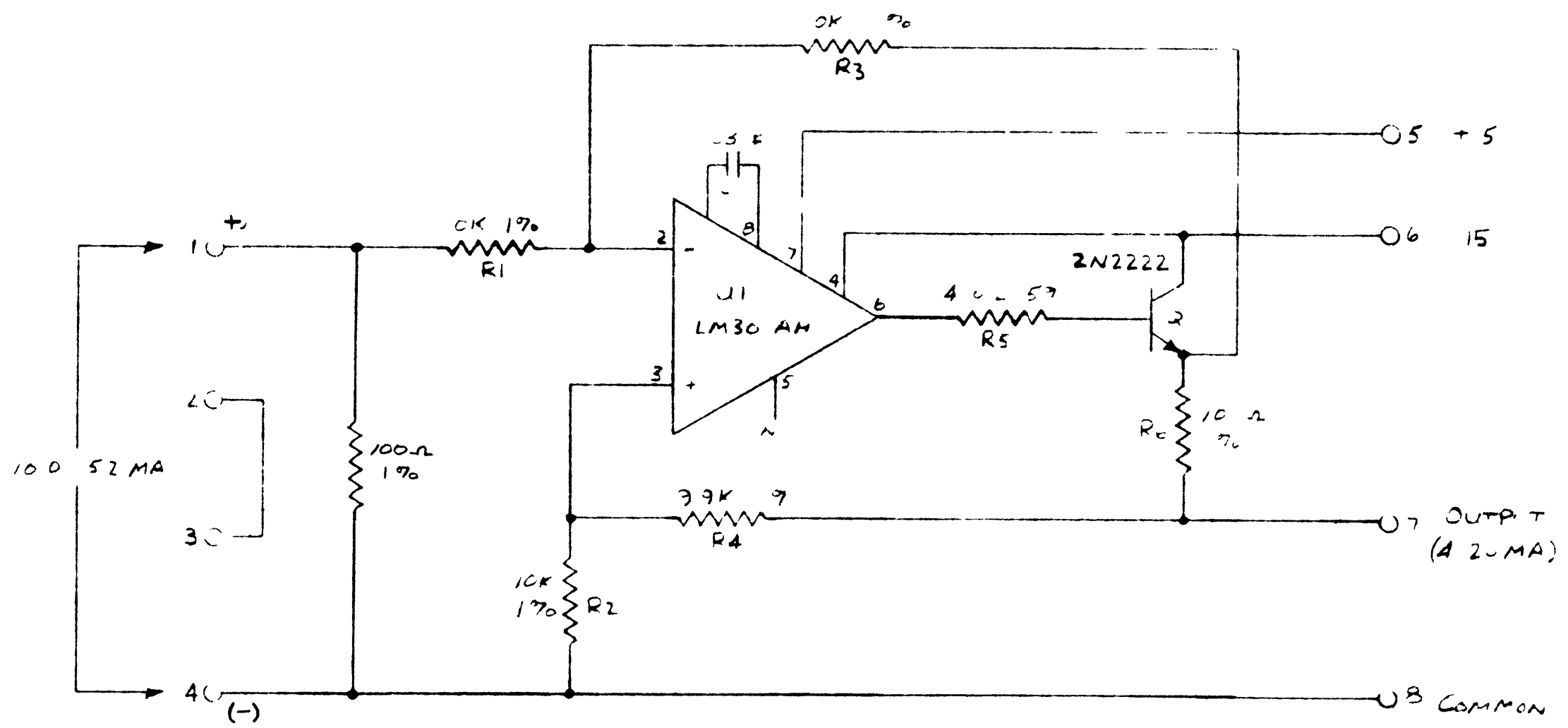


REVISIONS	
DATE	20-20-70
BY	
APPROVED BY	
DATE	
SCALE	
 edison controls inc <small>3832 E. 7th AVE. NORTH ST. PAUL, MINN.</small>	
PROJECT NO.	SUPERIOR, WISC. 1235
DATE	
DRAWN BY	
CHECKED BY	
C1135-113	
BY	0

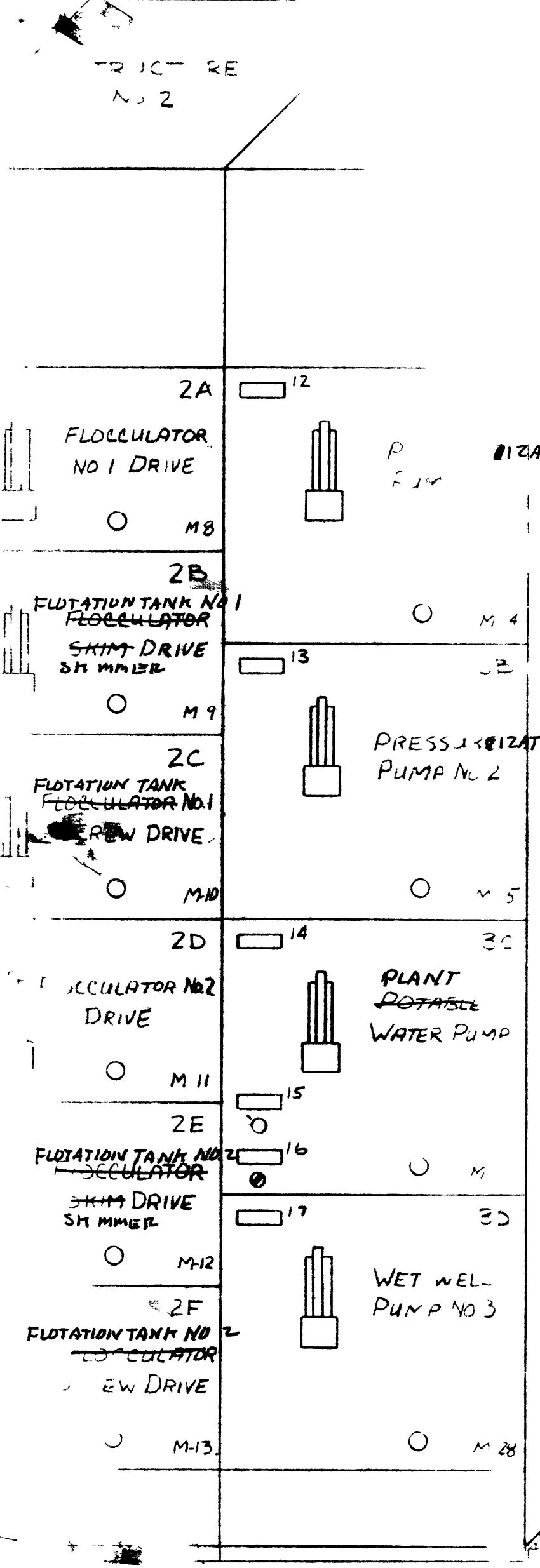
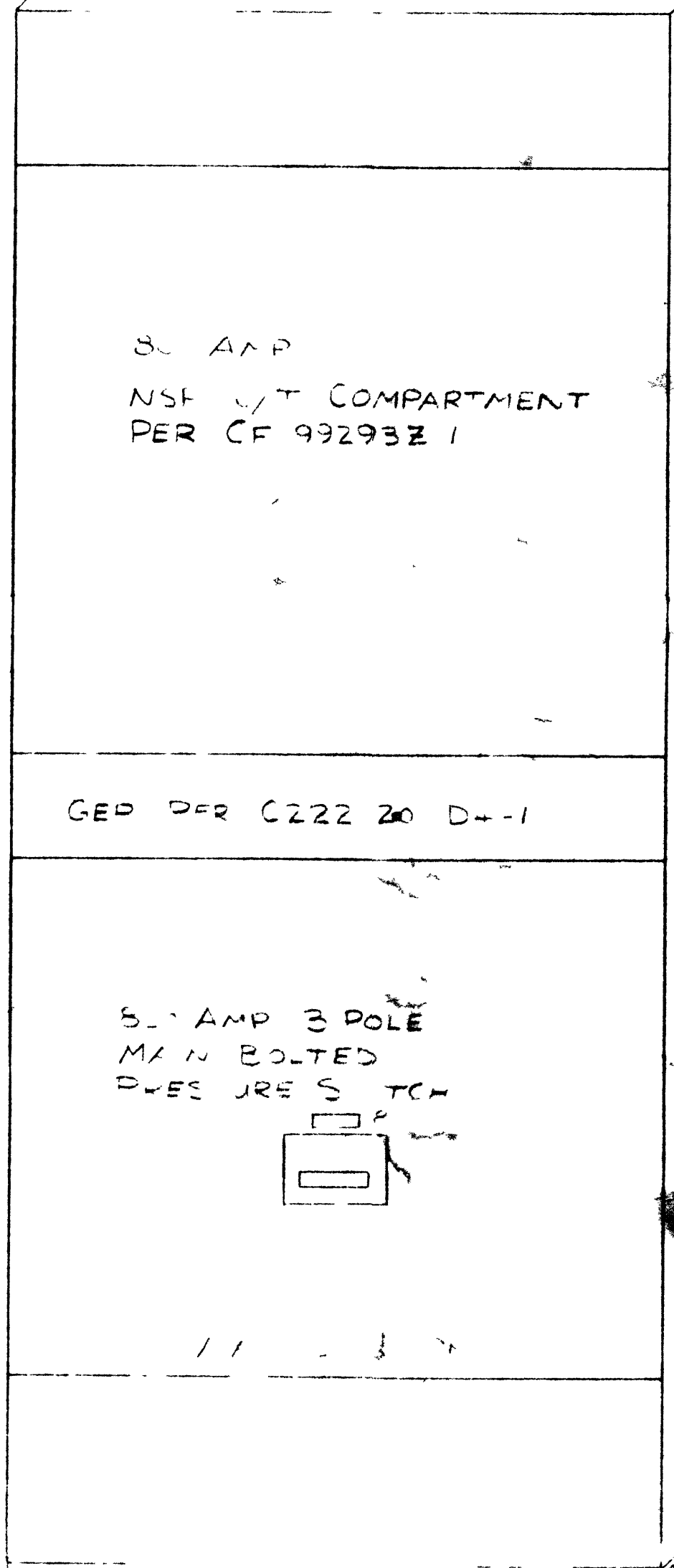


(Control Room HU UA + S-1)

DRAWN BY <i>Edison</i>		DATE 10-24-77	REVISIONS	
CHECKED BY		DATE	edison controls inc 2562 E. 7 TH AVE NORTH PAUL, MINN.	
APPROVED BY		DATE	PROJECT NAME SUPERIOR WISC.	NO. / C. 1235
CA		TITLE DRAWING NO. C1135-114		



SUPERIOR WISC		
By HAYNE	U 878	ELI
BUFFER AMPLIFIER		C1135 154
4.20 MA IN		
4.20 MA OUT		



SHOP DRAWING REVIEW
 X NO EXCEPTIONS TAKEN
 MAKE FIELD CORRECTIONS
 AMEND AND RE-IT
 ERICKSEN ELLISON
 & ASSOCIATES INC
 Date 7/29/78 By [Signature]
 [Signature]

CORRECTIONS AND NOTES
 IN THIS COLOR
 MADE BY
 ERICKSEN ELLISON and ASSOCIATES INC
 [Signature]

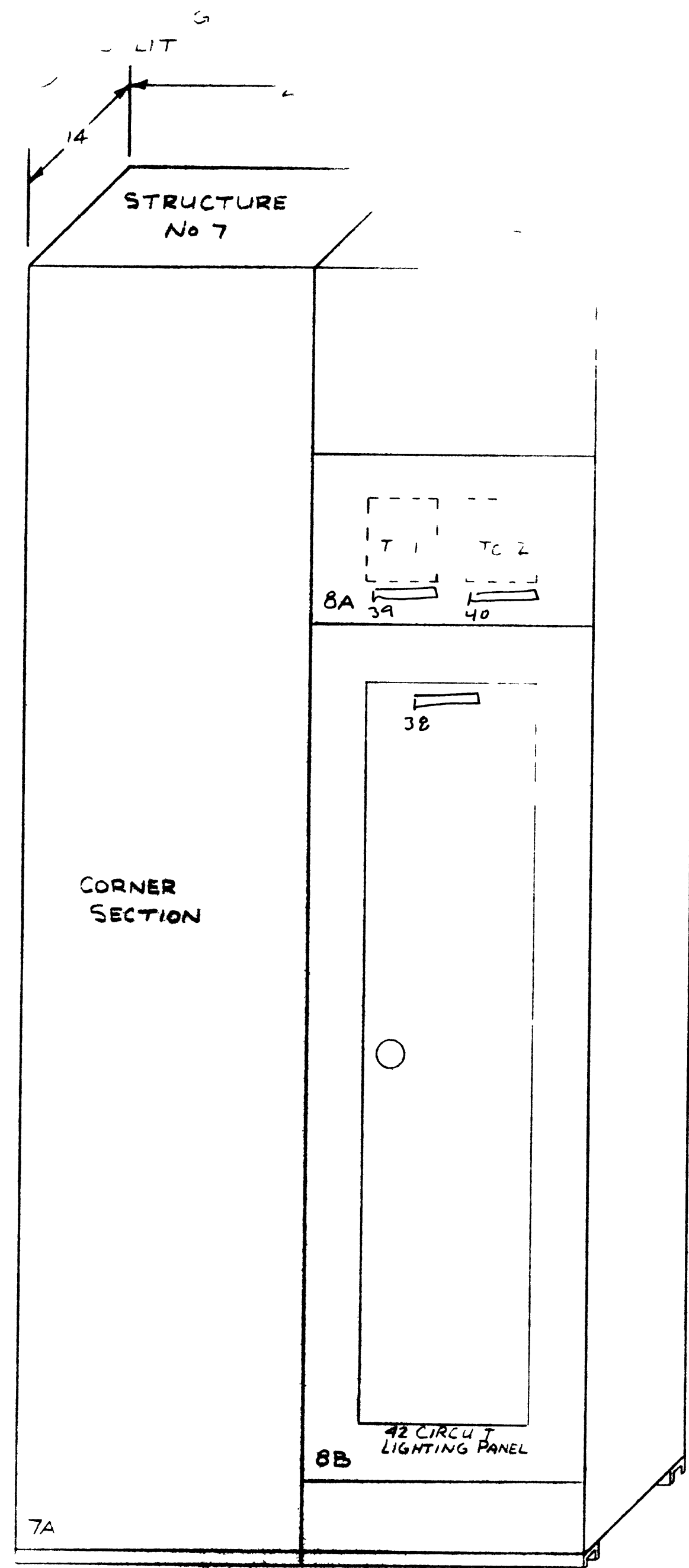
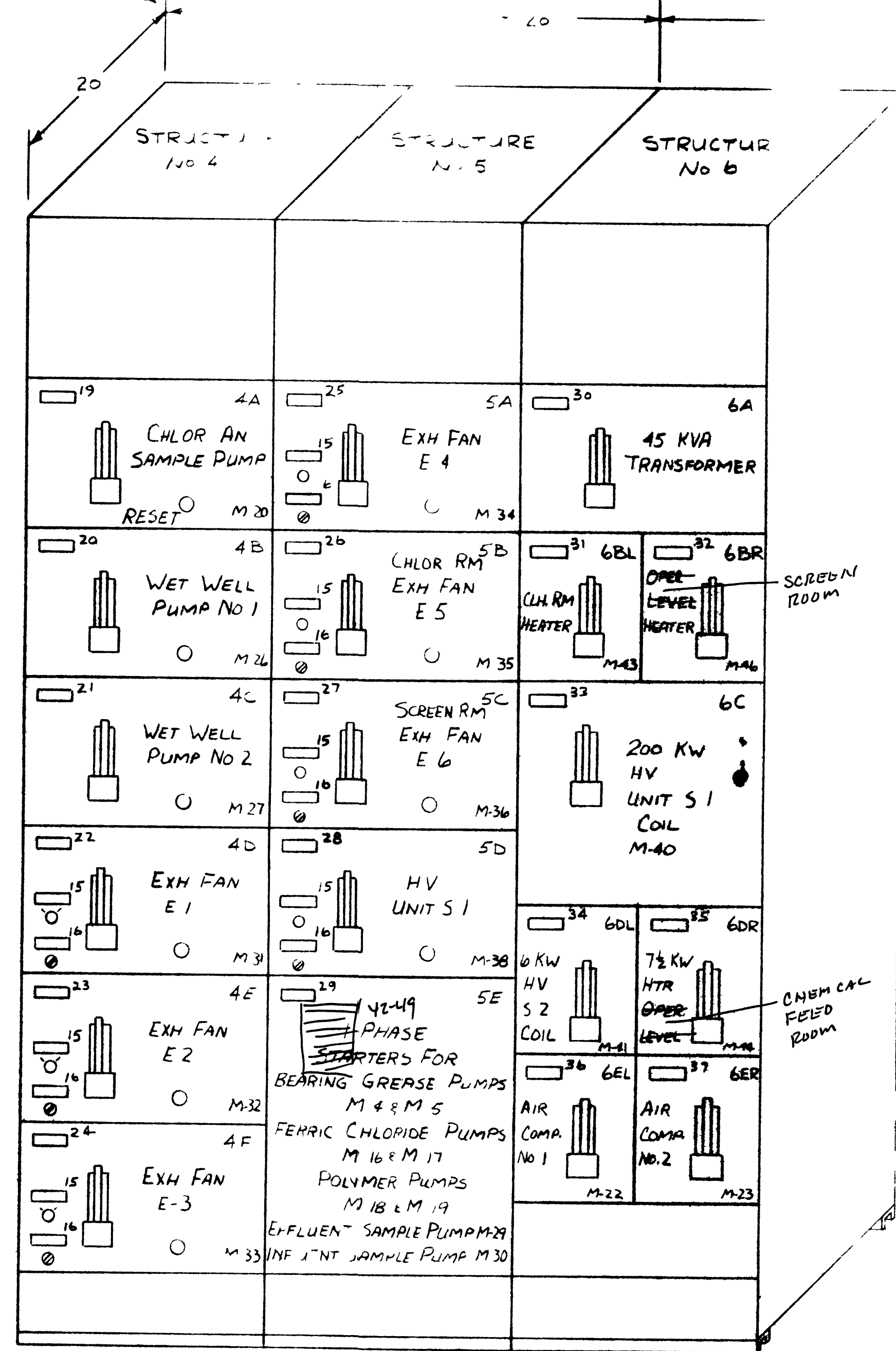
- NOTES**
- ENCLOSURES ARE CUTLER-HAMMER
 - FOR NAMEPLATE DESIGNATION SEE DWG C1135-102
 - FOR FLOOR PLAN SEE DWG C1135-103

CSO #5 of #6
 CONTROL PANELS
 1977

edison control inc
 2842 E. 7th AVE. NORRISTOWN PA 19380

ORDER NO. WISC

SHIPPING
SPLIT



mtd on panel front for m-37

41

ROOM LAYOUT
FLOOR PLAN

REVISED		DATE		BY		REVISIONS	
1		10-18-77		R. HAYNE			
				edison controls inc 2802 S. 7th Ave. NORTH ST PAUL, MINN.		PROJECT NO.	
SUPERIOR, WISC.				1235			
MOTOR CONTROL				C1135-101			