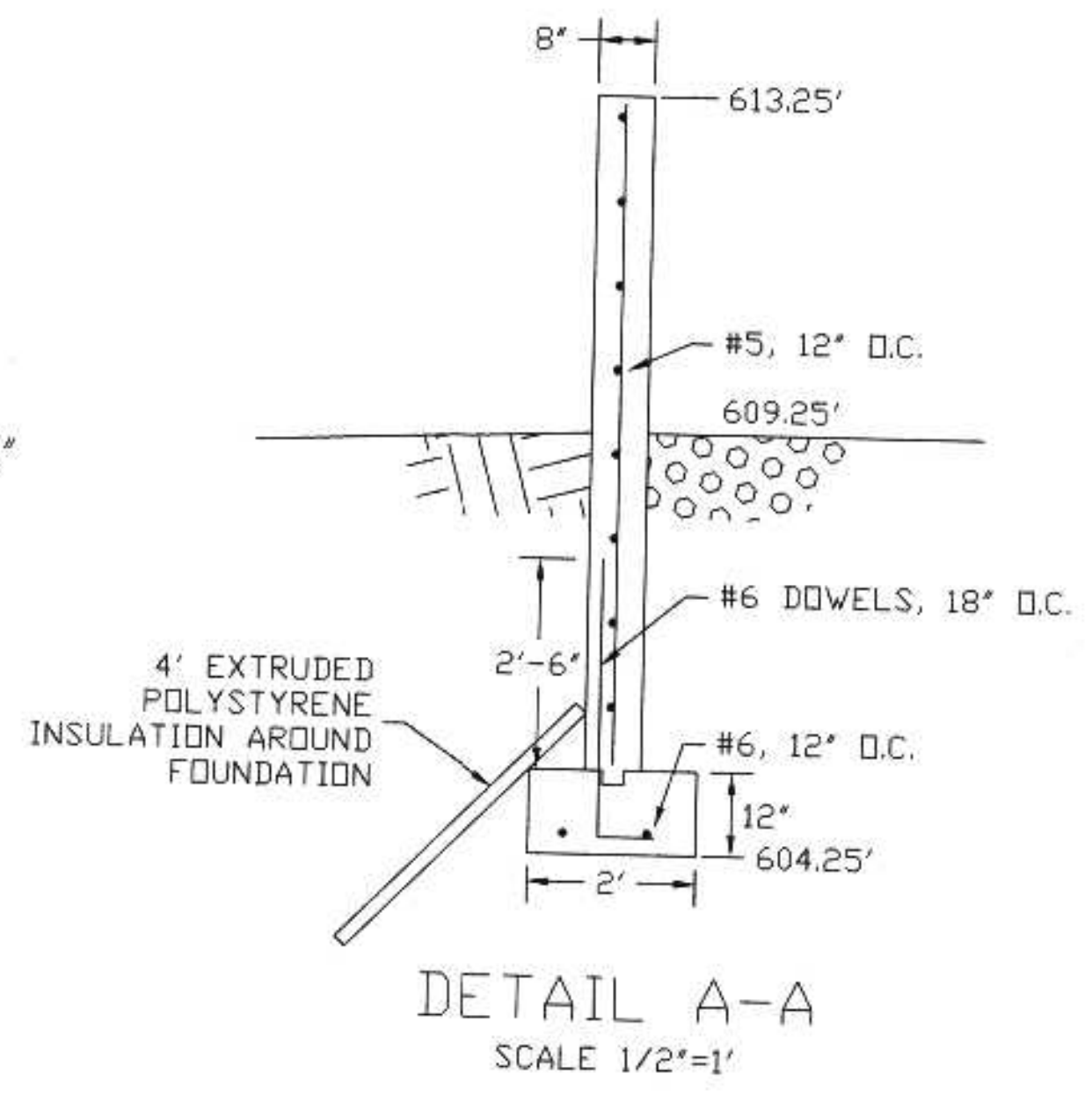
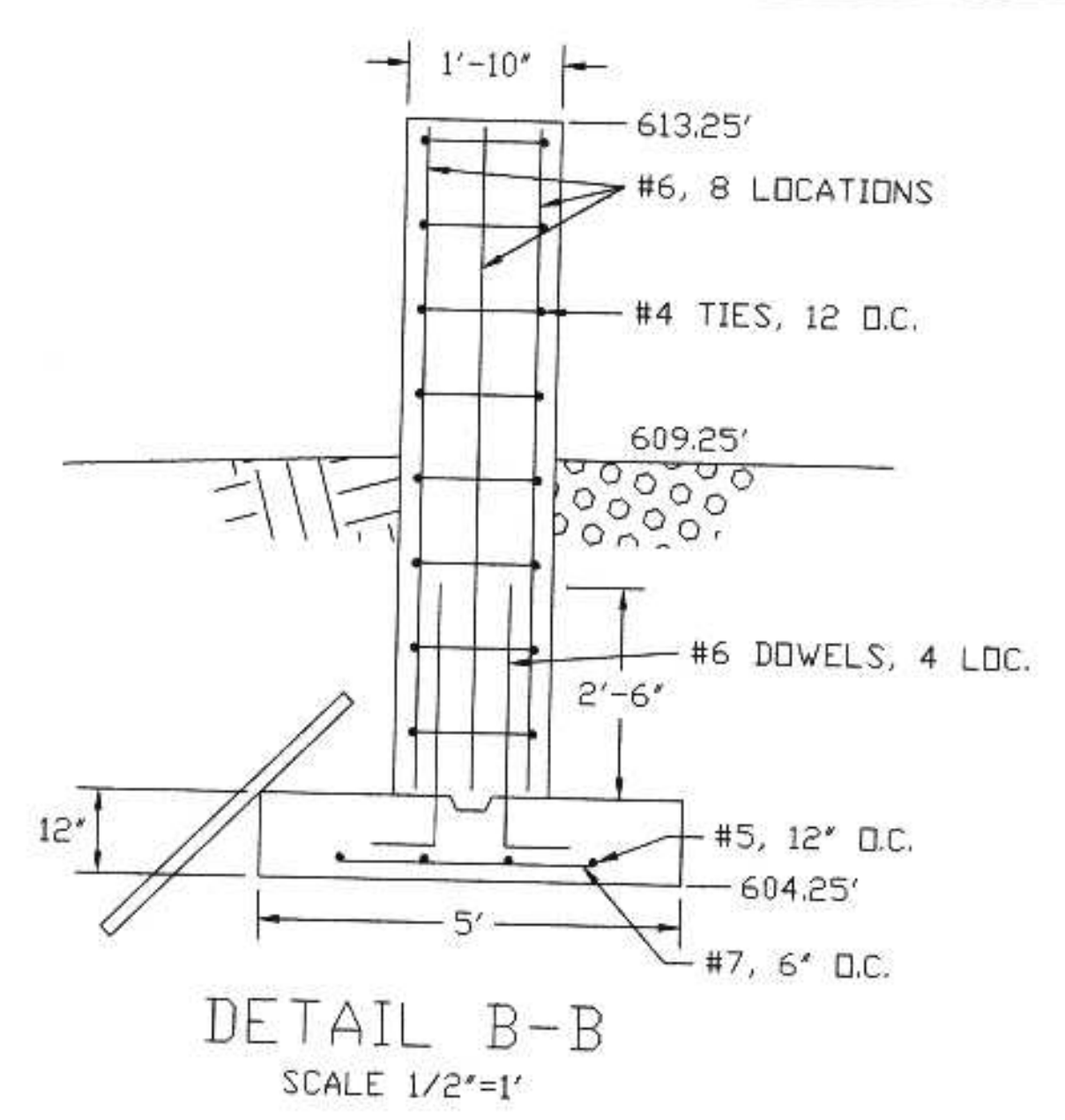


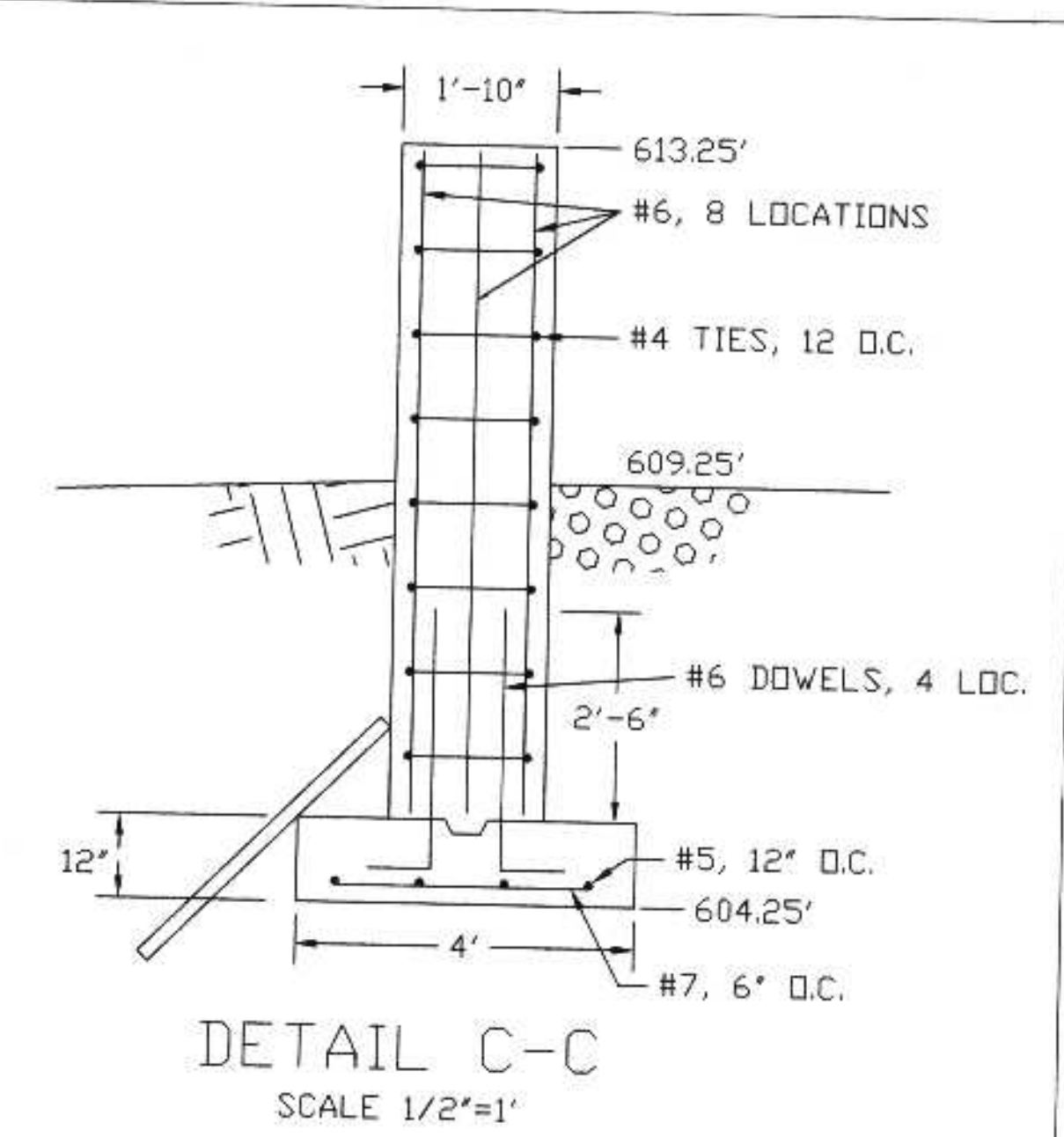
FOUNDATION PLAN
SCALE 1/4"=1'



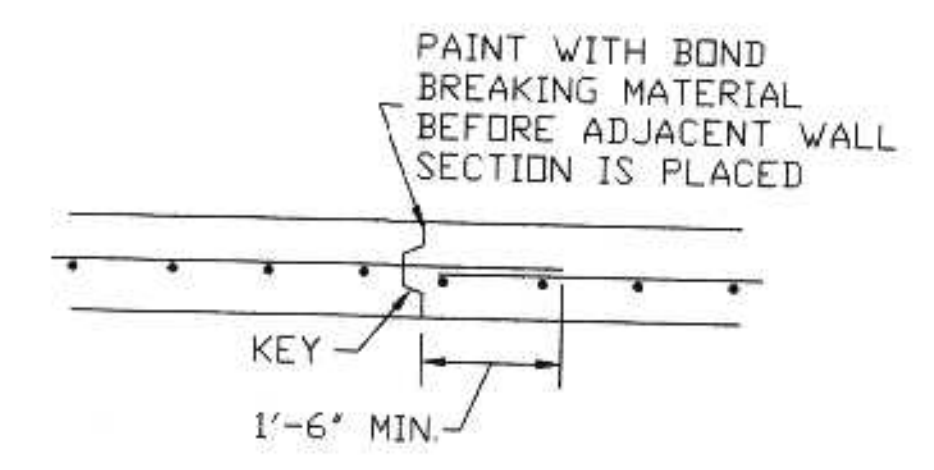
DETAIL A-A
SCALE 1/2"=1'



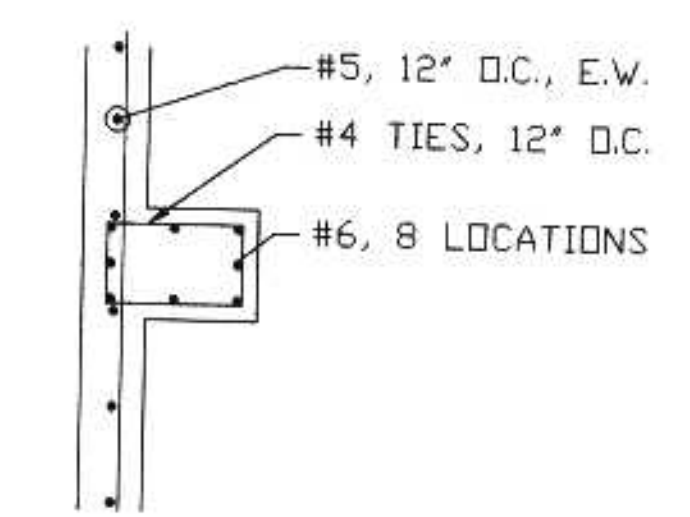
DETAIL B-B
SCALE 1/2"=1'



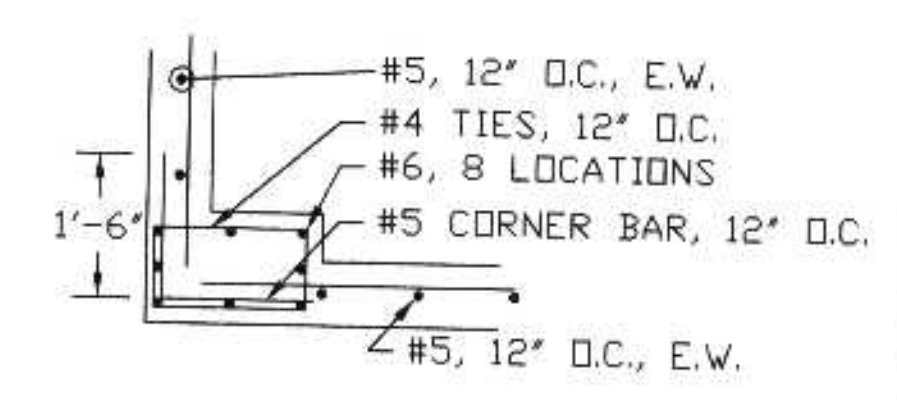
DETAIL C-C
SCALE 1/2"=1'



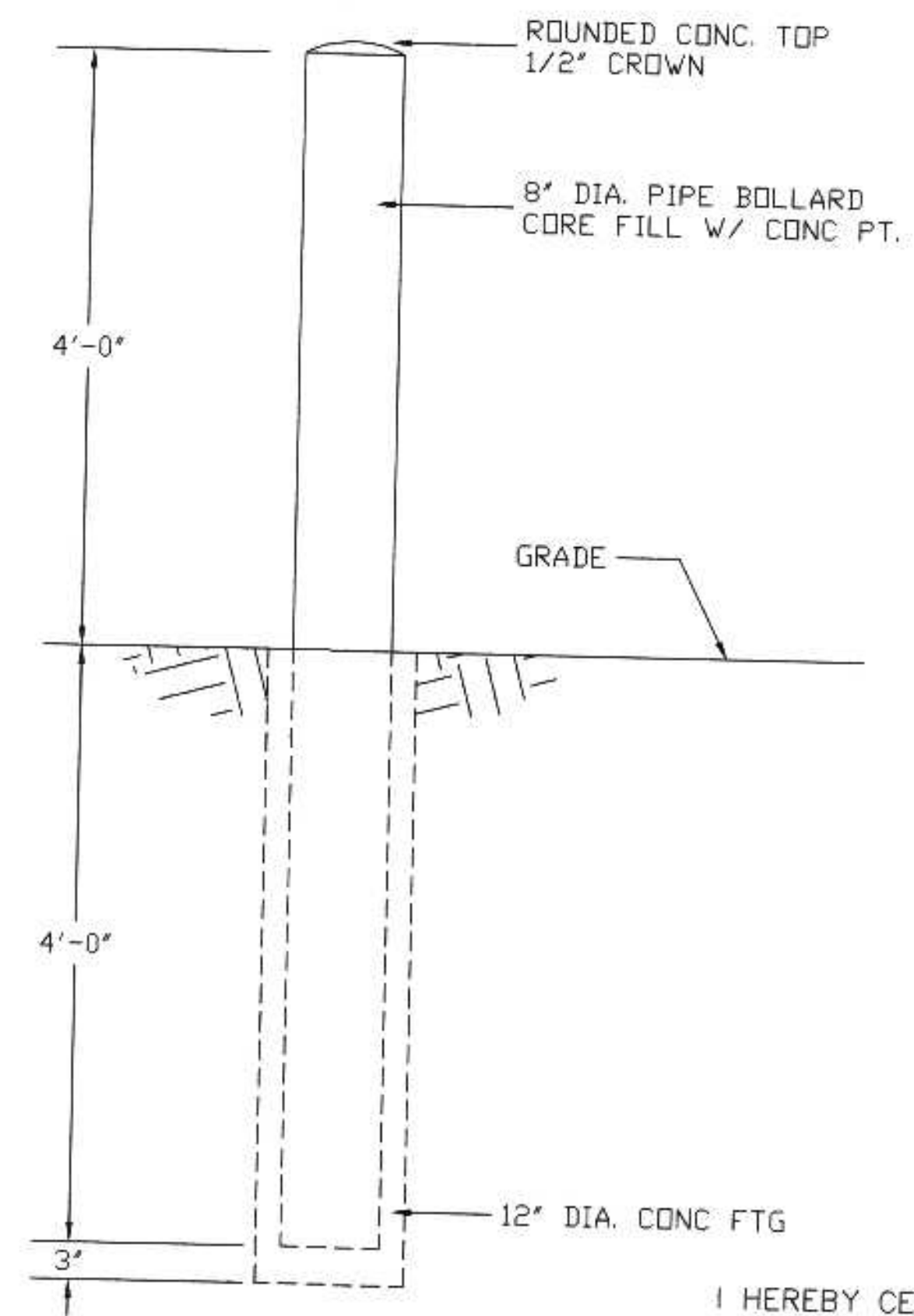
CONSTRUCTION JOINT



DETAIL B-B PLAN



DETAIL C-C PLAN



BOLLARD DETAIL
SCALE 1"=1'

I HEREBY CERTIFY THAT THIS PLAN WAS PREPARED BY ME, OR UNDER MY DIRECT SUPERVISION, AND I AM A DULY REGISTERED PROFESSIONAL ENGINEER UNDER THE LAWS OF THE STATE OF WISCONSIN.

DATE: _____ REG. NO.: _____

REVISIONS			COLD STORAGE BUILDING FOUNDATION PLAN			
NO.	BY	DATE				
			CITY OF SUPERIOR, WISCONSIN WASTE WATER TREATMENT PLANT COLD STORAGE BUILDING			
DESIGNED BY			RMA ENGINEERING COMPANY CONSULTING ENGINEERS	SCALE	VAR.	JOB NO.
DRAWN BY	SGR			DATE	6/8/98	
CHECKED BY				SHEET	8 of 8	
APPROVED BY						