

CITY OF SUPERIOR FOR CENEX HARVEST STATES

CONSTRUCTION OF: SANITARY SEWER AND RAILROAD SUB-BALLAST

FOR FIELD LOCATES
CALL: 1.800.242.8511
www.DiggersHotline.com

THE LOCATIONS OF EXISTING UNDERGROUND UTILITIES ARE SHOWN IN AN APPROXIMATE WAY ONLY AND HAVE NOT BEEN INDEPENDENTLY VERIFIED BY THE OWNER OR ITS REPRESENTATIVE. THE CONTRACTOR SHALL DETERMINE THE EXACT LOCATION OF ALL EXISTING UTILITIES BEFORE COMMENCING WORK, AND AGREES TO BE FULLY RESPONSIBLE FOR ANY AND ALL DAMAGES WHICH MIGHT BE OCCASIONED BY THE CONTRACTORS FAILURE TO EXACTLY LOCATE AND PRESERVE ANY AND ALL UNDERGROUND UTILITIES.

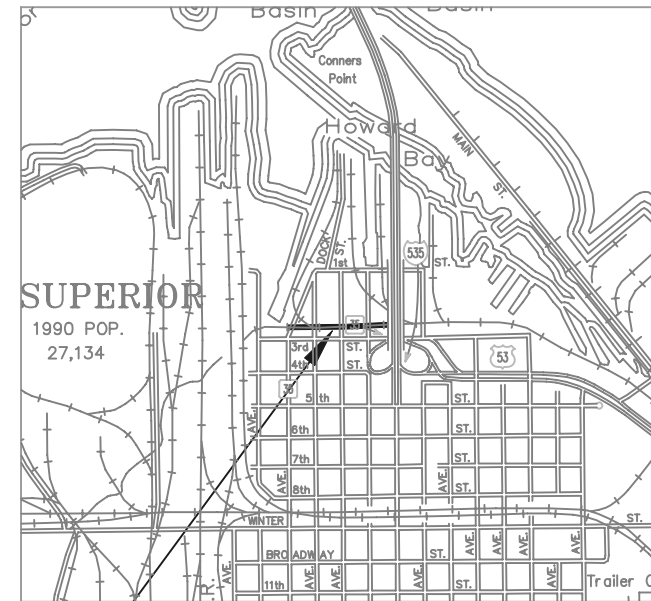
ESTIMATED QUANTITIES

NOTE	ITEM NUMBER	DESCRIPTION	UNIT	ESTIMATED QUANTITY
	61910	MOBILIZATION	LUMP SUM	1.00
4	20401	REMOVE BITUMINOUS PAVEMENT	SQ FT	1740.00
	66501	SAWING EXISTING PAVEMENT (FULL DEPTH)	LIN FT	236.00
	20501	COMMON EXCAVATION	CU YD	1860.00
3	21201	GRANULAR SUBBASE COURSE TYPE 2 CRUSHED GRAVEL	CU YD	800.00
	60853	REINFORCED CONCRETE PIPE, CLASS IV, STORM SEWER, 18"	LIN FT	1417.00
	90005D	CONCRETE COLLARS	EACH	25.00
2,5	61110	MANHOLES, TYPE 1 - 48"	EACH	4.00 6.00
2,5	61112	MANHOLES, TYPE 3 - 72"	EACH	2.00
7	90005C	MANHOLE COVERS	EACH	6.00 8.00
	90005A	MANHOLE FRAME SEALS	EACH	8.00
	64301	TRAFFIC CONTROL	LUMP SUM	1.00
6	90005B	CONNECT EXISTING SANITARY SEWER OR MANHOLE	EACH	9.00

- NOTES:
- INCLUDES REMOVAL OF EXISTING RCP SANITARY SEWER.
 - INCLUDES REMOVAL OF EXISTING MANHOLES.
 - INCLUDES 12" RAILROAD SUB-BALLAST AND 12" ROAD RESTORATION.
 - INCLUDES BITUMINOUS RESTORATION. SEE DETAIL SHEET 1.
 - MANHOLE SECTIONS WILL BE TIED TOGETHER.
 - INCLUDES 48" BRICK ARCH TO 18" RCP REDUCTION CONNECTION, 36" BRICK ARCH TO 18" RCP REDUCTION CONNECTION, 1-18" RCP, 3-12" RCP, 1-10" RCP, 1-12" CLAY, 1-4" PVC. ALSO INCLUDES EXTENDING 3 EXISTING CASING PIPES.
 - NEENAH R-1670-A, NON-ROCKING.

GENERAL NOTES

- SANITARY SEWER SHALL BE KEPT LIVE DURING CONSTRUCTION
- SANITARY SEWER WILL BE CONSTRUCTED IN ACCORDANCE WITH STATE OF WISCONSIN STANDARD SPECIFICATIONS



PROJECT LOCATION

INDEX MAP
NO SCALE

GOVERNING SPECIFICATIONS

THE 1996 EDITION OF THE WISCONSIN DEPARTMENT OF TRANSPORTATION "STANDARD SPECIFICATIONS FOR HIGHWAY AND STRUCTURE CONSTRUCTION" SHALL GOVERN.

STANDARD SPECIFICATIONS FOR SEWER & WATER CONSTRUCTION IN WISCONSIN.

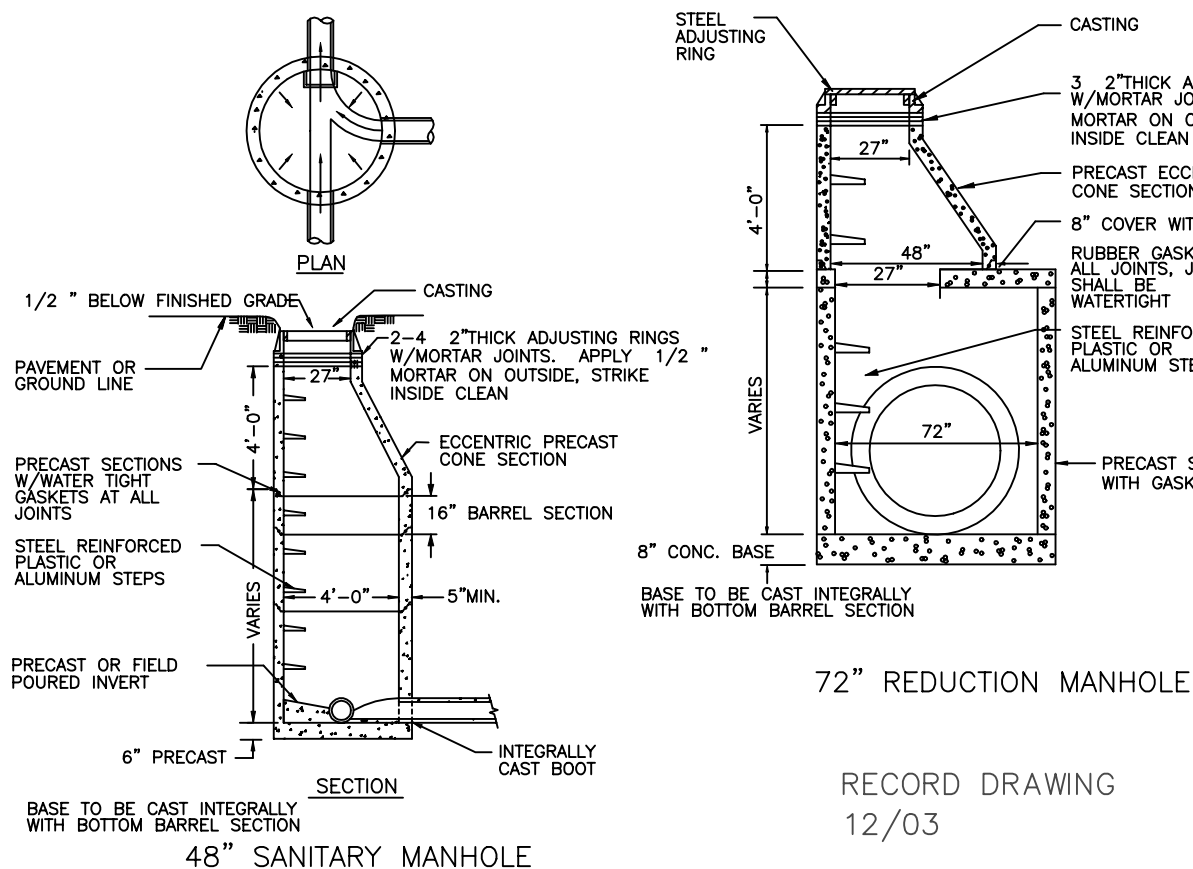
SHEET INDEX

- TITLE SHEET, STATEMENT OF ESTIMATED QUANTITIES AND DETAILS
- 3 UTILITY PLAN & PROFILE

RECOMMENDED FOR APPROVAL: _____ 20 _____
CITY OF SUPERIOR-ENGINEER REG. NO. _____

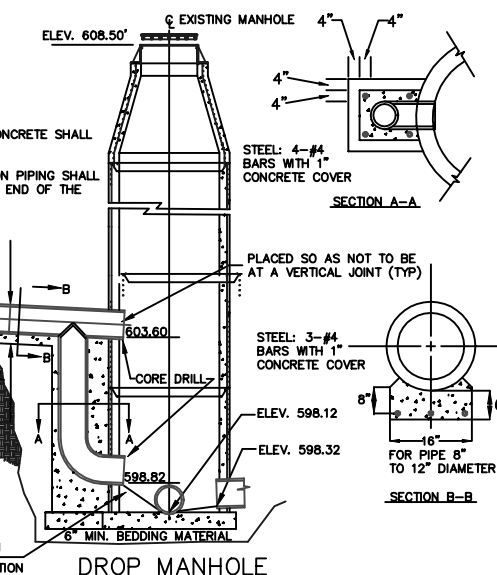
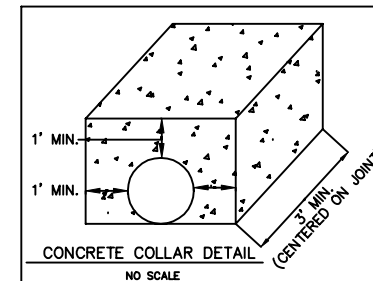
I HEREBY CERTIFY THAT THIS PLAN WAS PREPARED BY ME OR UNDER MY DIRECT SUPERVISION AND THAT I AM A DULY REGISTERED PROFESSIONAL ENGINEER UNDER THE LAWS OF THE STATE OF WISCONSIN.

REG. NO. 25602
DATE _____ SCOTT WEYANDT

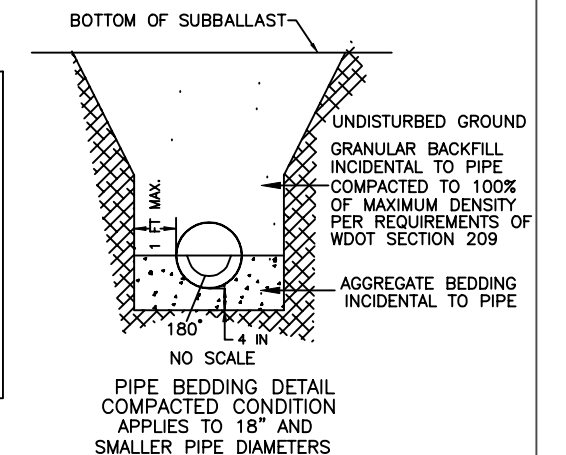
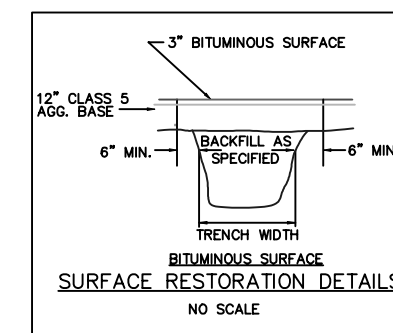
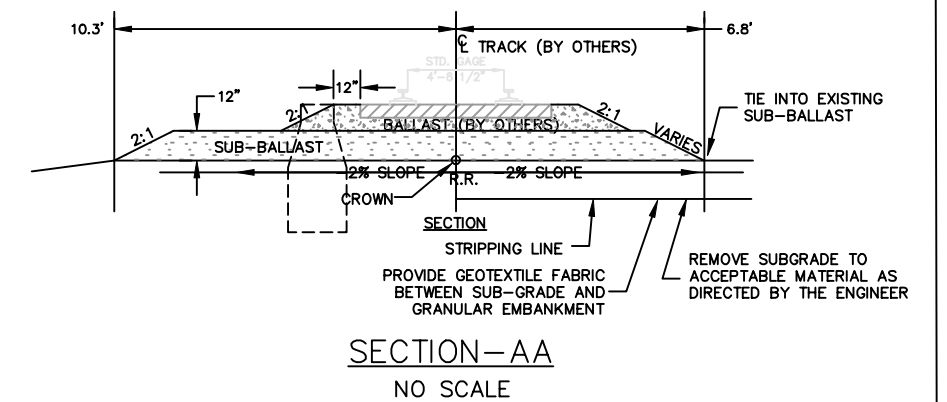


72" REDUCTION MANHOLE

RECORD DRAWING
12/03



DROP MANHOLE



DESIGN TEAM	NO.	BY	DATE	REVISIONS
DRAWN BY: MJB				
DESIGNER: MJB				
CHECKED BY: SSW				

©SHORT ELLIOTT HENDRICKSON 1998. ANY USE OR REUSE OF THIS PLAN/DRAWING AND THE CORRESPONDING COMPUTER AIDED DESIGN/DRAFTING FILES WITHOUT THE EXPRESS WRITTEN CONSENT OF SEH, IS PROHIBITED. SEH SHALL NOT BE RESPONSIBLE FOR ANY UNAUTHORIZED USE OR REUSE OF THESE MATERIALS, OR DAMAGES RESULTING THEREFROM.

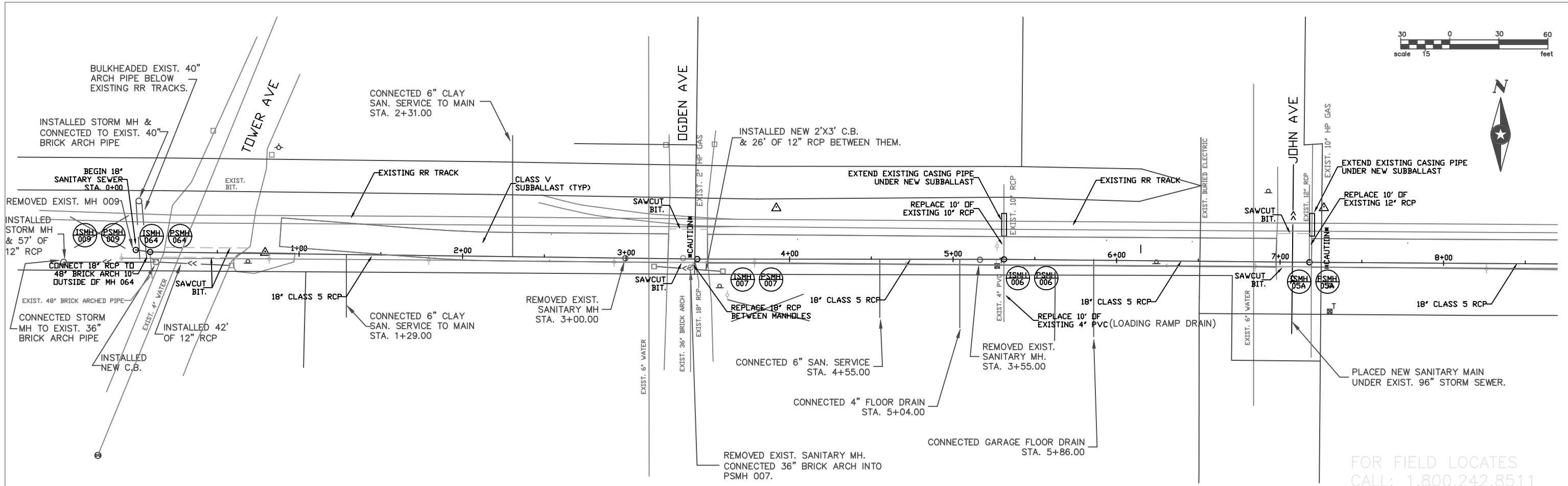
I HEREBY CERTIFY THAT THIS PLAN WAS PREPARED BY ME OR UNDER MY DIRECT SUPERVISION AND THAT I AM A DULY LICENSED PROFESSIONAL ENGINEER UNDER THE LAWS OF THE STATE OF WISCONSIN.
Name: SCOTT WEYANDT, P.E. Date: _____
Printed Name: SCOTT WEYANDT Reg. No. 25602



HARVEST STATES
SANITARY SEWER
SUPERIOR, WISCONSIN

TITLE SHEET

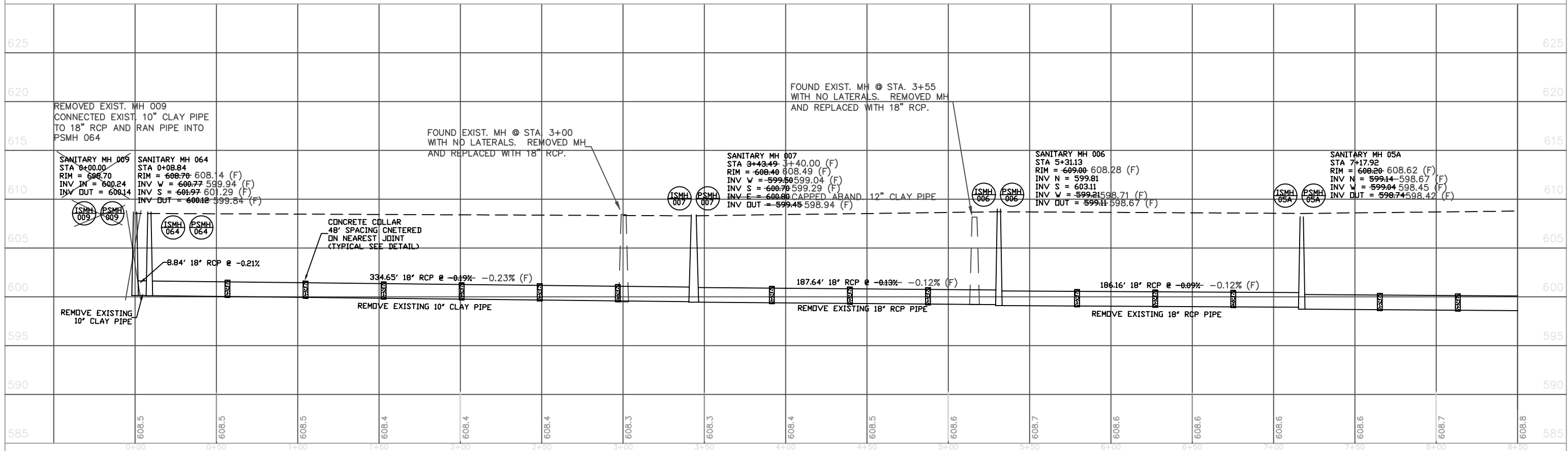
FILE NO. HARVE0301	1
DATE JUNE 2003	3



SCALES
1" = 30' HOR
1" = 5' VER

RECORD DRAWING 12/03

FOR FIELD LOCATES
CALL: 1.800.242.8511
www.DiggersHotline.com



DRAWN BY:	MJB
DESIGNER:	MJB
CHECKED BY:	SSW
DESIGN TEAM	

NO.	BY	DATE	REVISIONS

©SHORT ELLIOTT HENDRICKSON 2002. ANY USE OR REUSE OF THIS PLAN/DRAWING AND THE CORRESPONDING COMPUTER AIDED DESIGN/DRAFTING FILES WITHOUT THE EXPRESS WRITTEN CONSENT OF SEH, IS PROHIBITED. SEH SHALL NOT BE RESPONSIBLE FOR ANY UNAUTHORIZED USE OR REUSE OF THESE MATERIALS, OR DAMAGES RESULTING THEREFROM.

I HEREBY CERTIFY THAT THIS PLAN WAS PREPARED BY ME OR UNDER MY DIRECT SUPERVISION AND THAT I AM A DULY LICENSED PROFESSIONAL ENGINEER UNDER THE LAWS OF THE STATE OF WISCONSIN.
SIGNATURE: _____ DATE: _____
PRINTED NAME: SCOTT WEYANDT LIC. NO. 25602

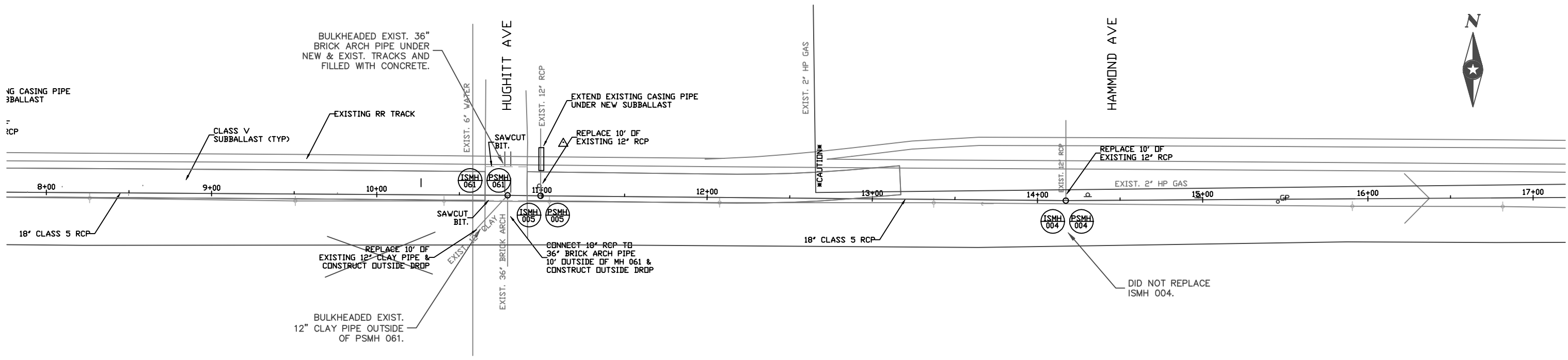


HARVEST STATES
SANITARY SEWER
SUPERIOR, WISCONSIN

SANITARY SEWER
PLAN AND PROFILE
STA 1+00 TO STA 9+00

FILE NO.	HARVE0301
DATE	JUNE 2004

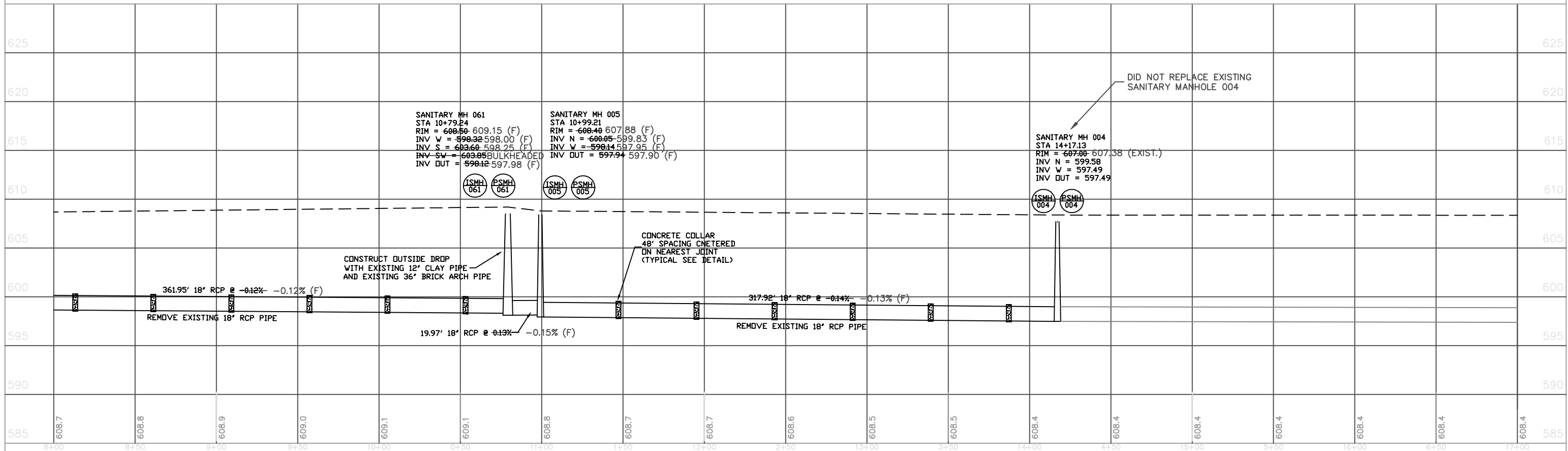
2
3



SCALES
 1" = 30' HOR
 1" = 5' VER

RECORD DRAWING 12/03

FOR FIELD LOCATES
 CALL: 1.800.242.8511
 www.DiggersHotline.com



DRAWN BY:	MJB		
DESIGNER:	MJB		
CHECKED BY:	SSW		
DESIGN TEAM			
NO.	BY	DATE	REVISIONS

© SHORT ELLIOTT HENDRICKSON 2002. ANY USE OR REUSE OF THIS PLAN/DRAWING AND THE CORRESPONDING COMPUTER AIDED DESIGN/DRAFTING FILES WITHOUT THE EXPRESS WRITTEN CONSENT OF SEH, IS PROHIBITED. SEH SHALL NOT BE RESPONSIBLE FOR ANY UNAUTHORIZED USE OR REUSE OF THESE MATERIALS, OR DAMAGES RESULTING THEREFROM.

I HEREBY CERTIFY THAT THIS PLAN WAS PREPARED BY ME OR UNDER MY DIRECT SUPERVISION AND THAT I AM A DULY LICENSED PROFESSIONAL ENGINEER UNDER THE LAWS OF THE STATE OF WISCONSIN.
 SIGNATURE: _____ DATE: _____
 PRINTED NAME: SCOTT WEYANDT LIC. NO. 25602



HARVEST STATES
 SANITARY SEWER
 SUPERIOR, WISCONSIN

SANITARY SEWER
 PLAN AND PROFILE
 STA 8+50 TO STA 16+50

FILE NO.	HARVE0301	3
DATE	JUNE 2004	3