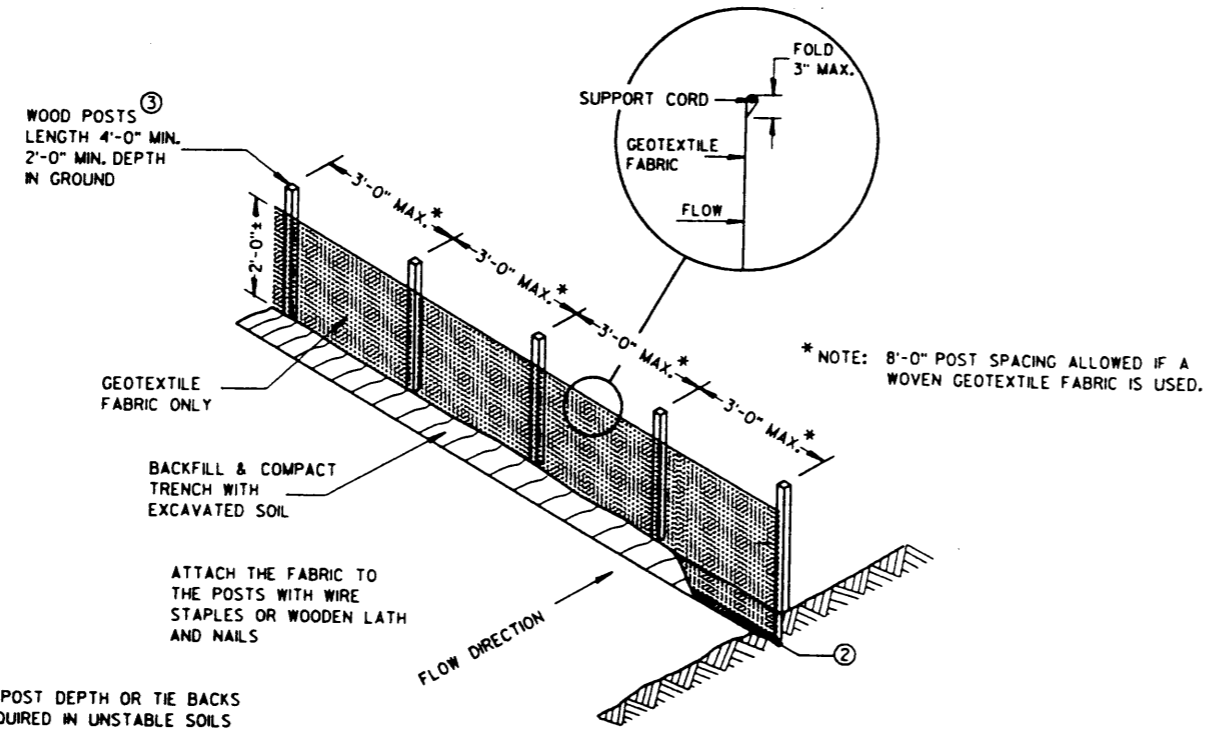


PLAN VIEW  
TYPICAL APPLICATIONS OF SILT FENCE

SITUATION 1  
SITUATION 2  
PLAN VIEW  
SILT FENCE AT MEDIAN SURFACE DRAINS

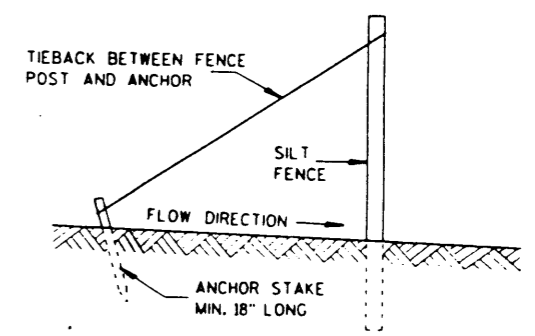
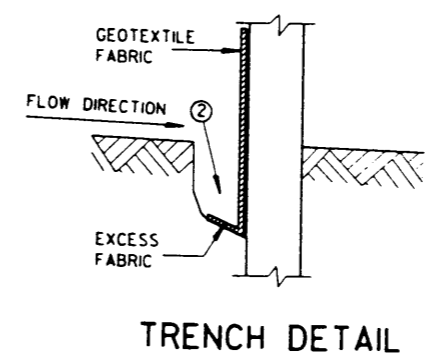
**GENERAL NOTES**

- DETAILS OF CONSTRUCTION NOT SHOWN ON THIS DRAWING SHALL CONFORM TO THE PERTINENT REQUIREMENTS OF THE STANDARD SPECIFICATIONS AND APPLICABLE SPECIAL PROVISIONS.
- ① HORIZONTAL BRACE WITH 2" X 4" WOODEN FRAME OR EQUIVALENT AT TOP OF POSTS AS DIRECTED BY THE ENGINEER.
  - ② TRENCH SHALL BE A MINIMUM OF 4" WIDE & 6" DEEP TO BURY AND ANCHOR THE GEOTEXTILE FABRIC. FOLD MATERIAL TO FIT TRENCH AND BACKFILL & COMPACT TRENCH WITH EXCAVATED SOIL.
  - ③ WOOD POSTS SHALL BE A MINIMUM SIZE OF 1 1/8" X 1 1/8" OF OAK OR HICKORY.



SILT FENCE  
(NON-REINFORCED)

NOTE: ADDITIONAL POST DEPTH OR TIE BACKS MAY BE REQUIRED IN UNSTABLE SOILS



SILT FENCE
STATE OF WISCONSIN DEPARTMENT OF TRANSPORTATION
APPROVED <i>[Signature]</i> DATE CHIEF ROADWAY DEVELOPMENT ENGINEER FHWA

S.D.D. 8 E 9-4