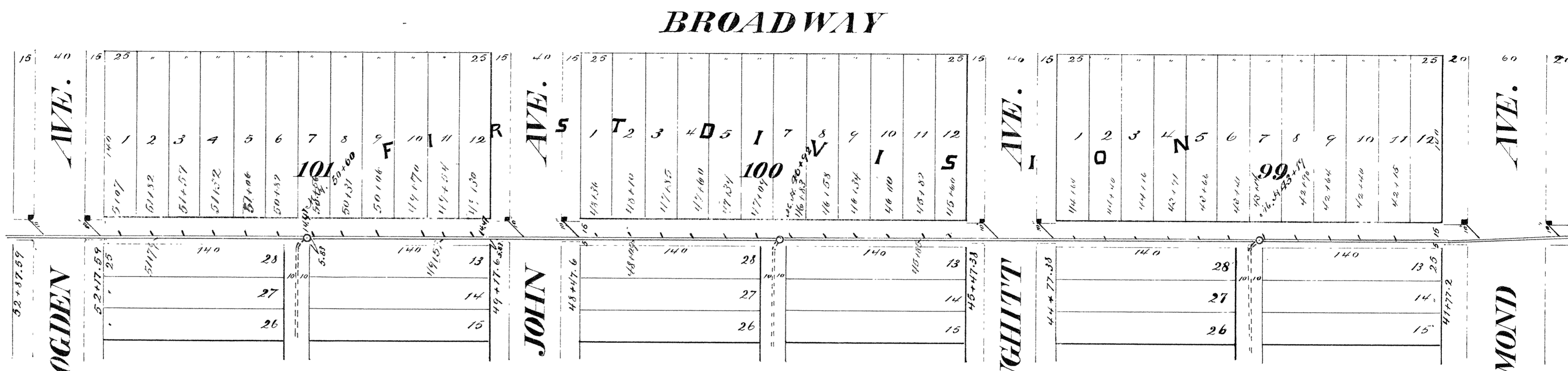
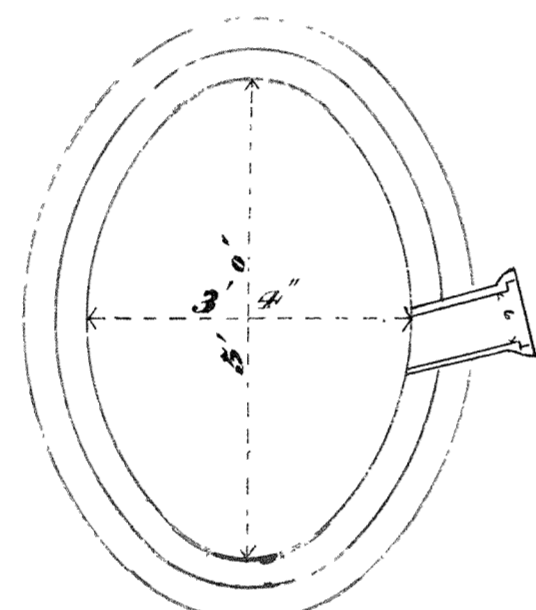


# CITY OF SUPERIOR SEWER PLAN

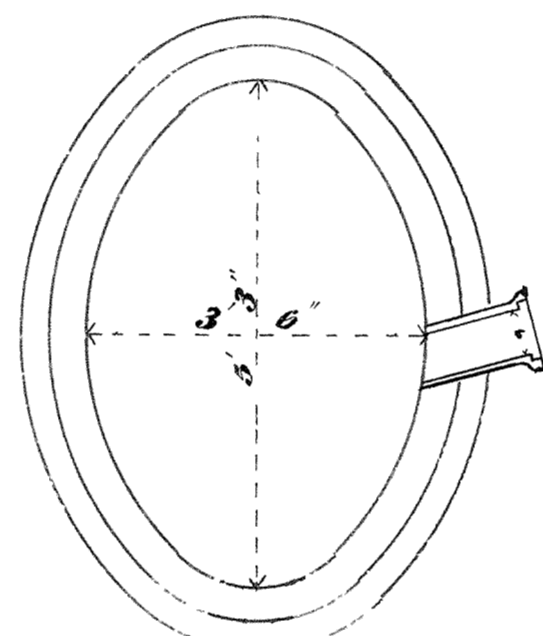
Contract let May 26, 1890  
completed July 1, 1891  
Kirkland & Starkey, Contractor  
A G. Earnshaw & J. H. Little, Inspectors  
E. B. Banks, City Engineer



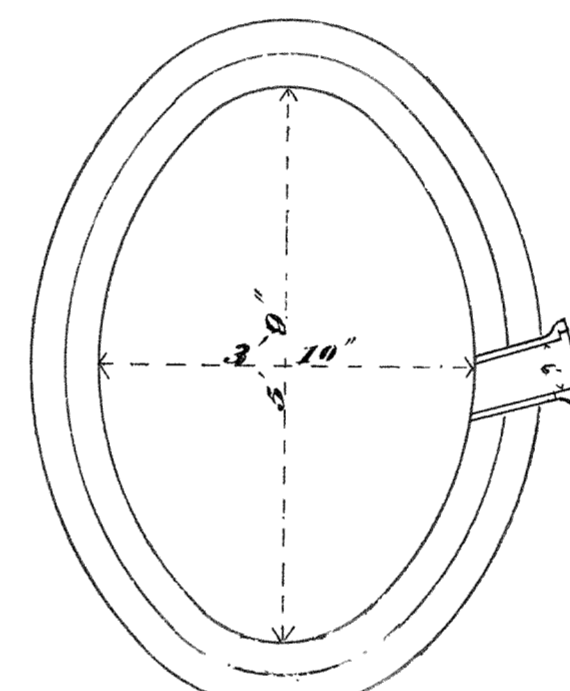
Note: Connections, left out, are not reported



Section of 3' 4" x 5' 0" Sewer



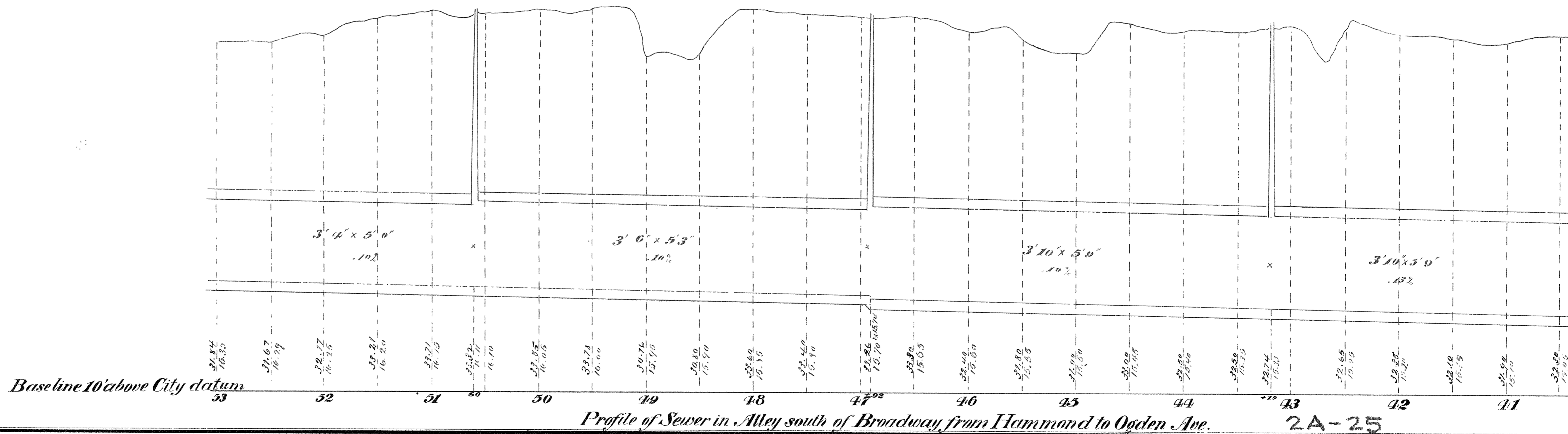
Section of 3' 6" x 5' 3" Sewer



Section of 3' 10" x 5' 0" Sewer

1892

Scale: Horizontal 1 inch = 60 ft.  
Vertical Section 1" = 2"



2A-25