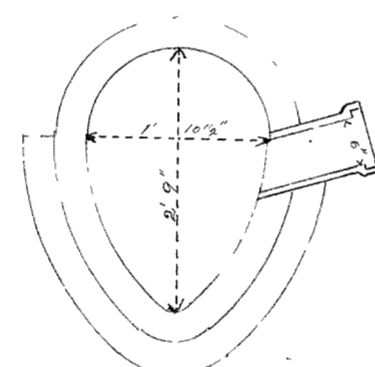
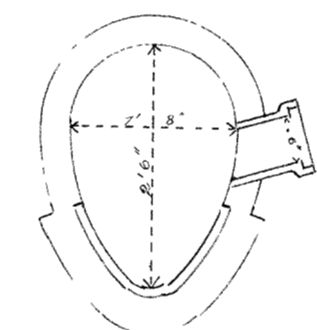


**CITY OF SUPERIOR
SEWER PLAN**

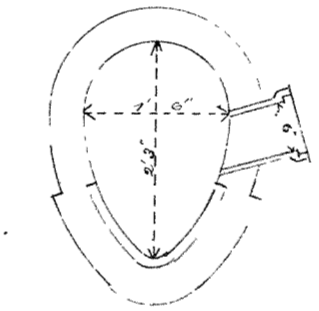
Contract let June 13, 1890
 " completed Aug. 11, 1891
 D. C. Sullivan, Contractor
 F. A. Grace, Inspector
 E. B. Banks, City Engineer.



Section of 10' x 2' 9" Sewer

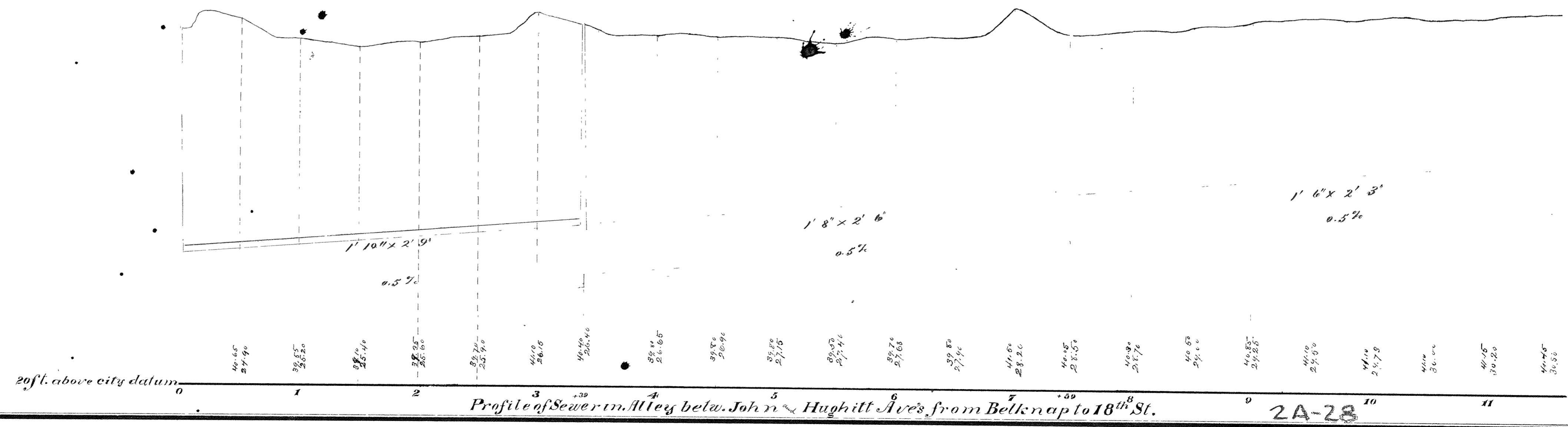


Section of 1' 8" x 2' 6" Sewer



Section of 16' x 2' 3" Sewer

Scale { Horizontal 1 inch = 60 ft.
 Vertical 1 " = 4 "
 Sectional 1 " = 2 "



Profile of Sewer in Alley below John & Hughitt Aves from Belknap to 18th St.

2A-28