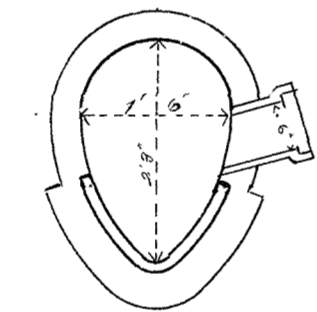


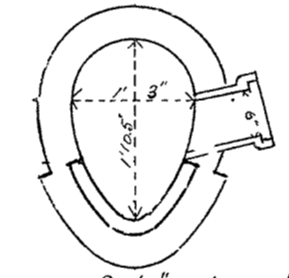
### CITY OF SUPERIOR

### SEWER PLAN

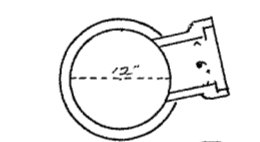
Contract let April 16, 1891  
 Completed Nov. 1, 1891  
 Joseph Wolf, Contractor  
 W. R. Russell, Inspector  
 E. B. Banks City Engineer



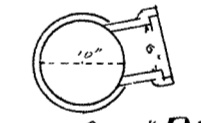
Section of 10x23 Sewer



Section of 13x10.5 Sewer

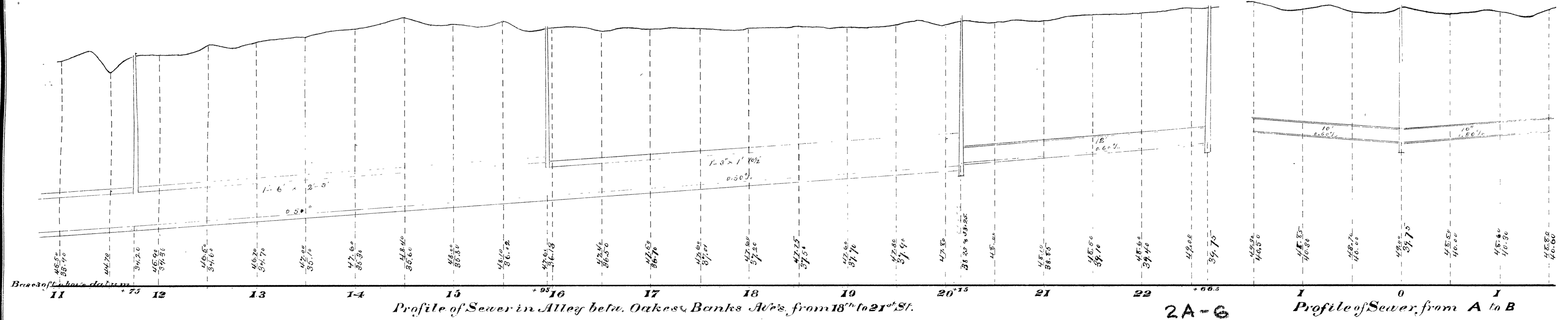


Section of 12" Pipe



Section of 10" Pipe

Scale { Horizontal 1 inch = 60 ft.  
 Vertical 1 " = 4 "  
 Sectional 1 " = 2 "



2A-6