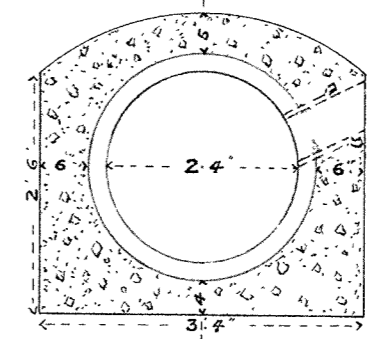


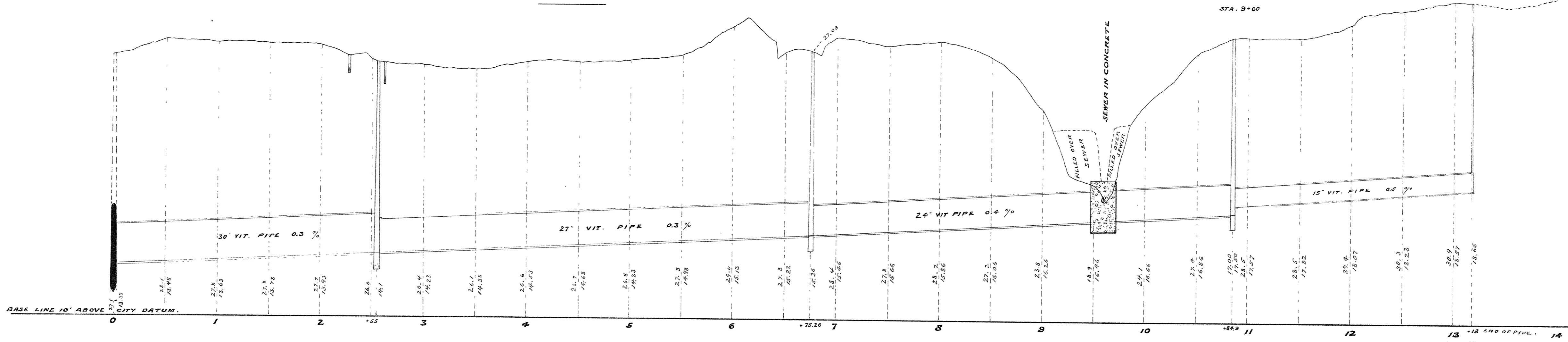
CITY OF SUPERIOR.
SEWER PLAN.

CONTRACT LET SEPT. 1ST 1905.
SEWER COMPLETED DEC. 20TH 1905.
CATCH BASINS " JULY 13TH 1906
OLSON, JOHNSON & CO., CONTRACTORS.
FRANK RICHARDSON, INSPECTOR.
S. M. WHITE, CITY ENGINEER.

SCALE : { HORIZONTAL : 1" = 60'
VERTICAL : 1" = 4'
SECTION : 1" = 2"



SECTION OF 24" SEWER.
IN CONCRETE



PROFILE OF SEWER IN ALLEY BETWEEN CLOUGH AND WEEKS AVES FROM ALLEY SOUTH OF BROADWAY TO SOUTH LINE OF 16TH DIVISION.

2B-65