

GRAPHIC SCALE
0 10' 20' 40'

ROUND HOUSE

6± CLEARANCE BETWEEN
UNDERSIDE OF GIRDERS
AND GROUND SURFACE

MH NO. 8 (3-J)
28.09' RT C/L STA. 27+16.15
N2283.85
E4971.91

RIM 643.27
47' IN 639.84
47' IN 638.82
8" WEST IN 635.42
8" SOUTH IN 635.37
12" OUT 635.34

RIM EL. 642.79
#1 IN 634.87
#2 IN 636.84
#3 IN 634.70
#4 IN 634.69
#5 OUT 634.69

RIM 642.28
8"W/4" RED.
INV. EL. 637.02(4")

MH NO. 6 (3-C)
20.73' RT C/L STA. 24+95.15
N2504.85
E4979.27

PROPOSED 36" STORM SEWER
PROJECT A

MH NO. 5 (7-C)
20.73' RT C/L
STA. 21+38.15

SEE SHEET 13
FOR CONTINUATION

BRIDGE ABUTMENT

P.I. 3'48" DEFLECTION (4 JOINTS)
2809' RT C/L STA. 26+06.15
N2393.85
E4971.91

BELKNAP (U.S. #2)

BORE & PUSH PIPE UNDER STREET

PROPOSED
M.H. NO. 6A
48" I.D. (1-J)
35.78' LEFT
STA/ 24+95.15

PROJECT E
PROPOSED 18"
STORM SEWER

INTERCEPT EXISTING 10" WITH NEW
CAST IN PLACE 45' BEND W/TRANSITION
FROM 10" TO 12", RUN NEW 12" RCP
TO M.H. NO. 6A

OAKES AVE

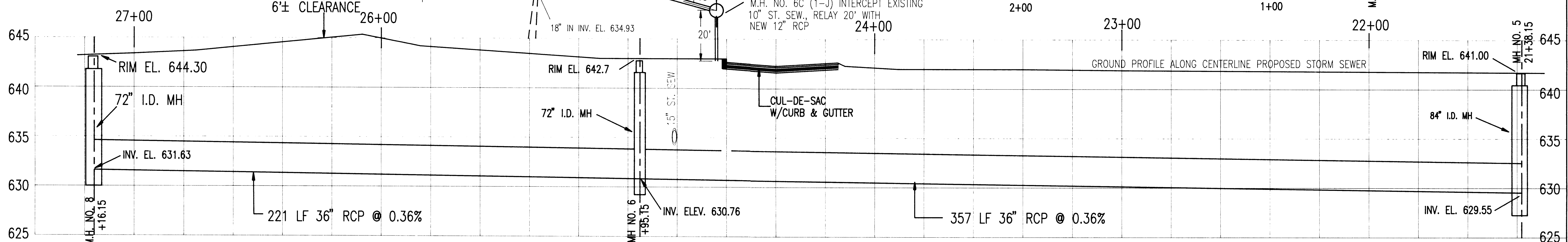
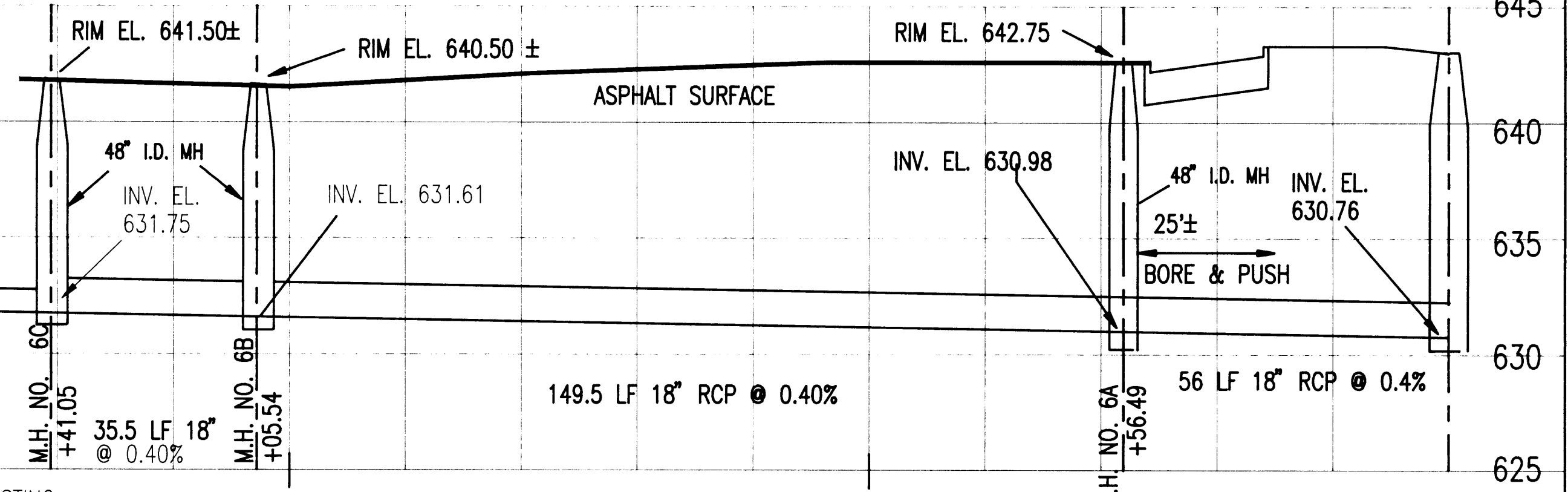
14TH STREET

NOTES
RESTORE SURFACES TO ORIGINAL
CONDITION EXCEPT CITY WILL
INSTALL BITUMINOUS SURFACE UPON
CONTRACTORS RESTORED BASE
IN PARKING LOT ONLY

PROPOSED M.H. NO. 6B (1-J)
INTERCEPT EXIST. 18"
STORM SEWER

PROPOSED 18"
STORM SEWER

PLUG ABANDONED PIPES
MH RIM EL. 641.75
10" INLET INV. EL. 631.04



CAD FILE 901395
VIEW SCALE 1"=20'
NO PROJECTION
USER SIZE 24x36
FEED DIRECTION