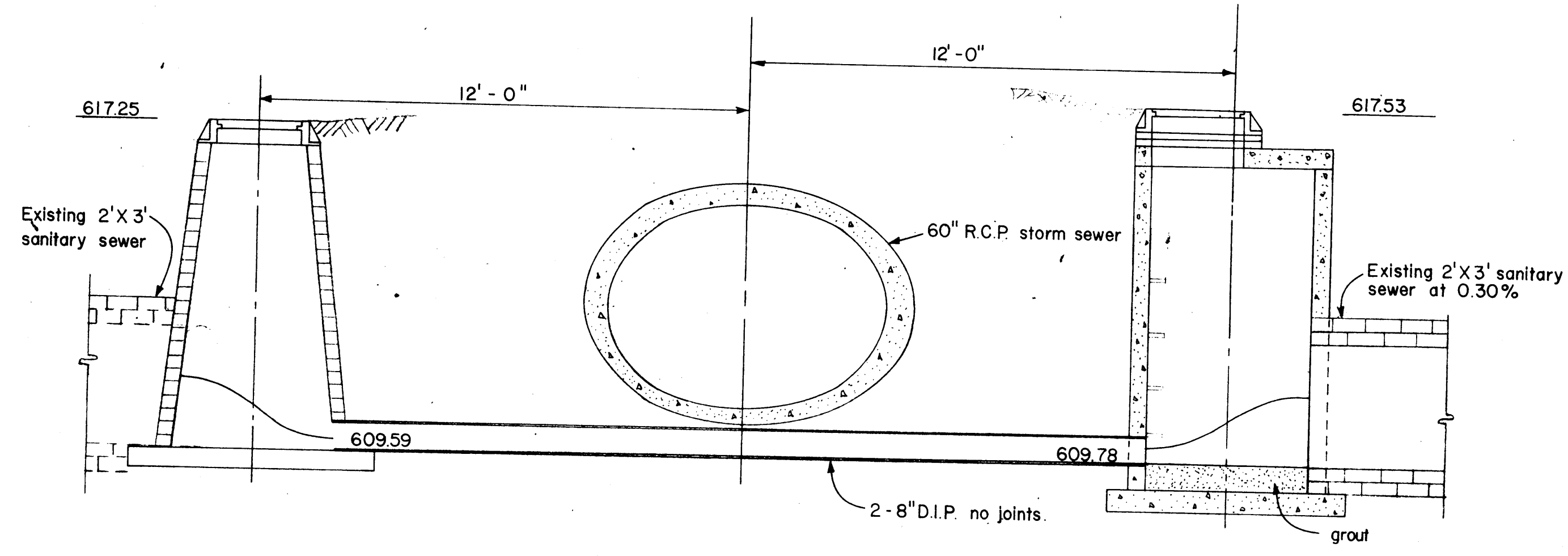


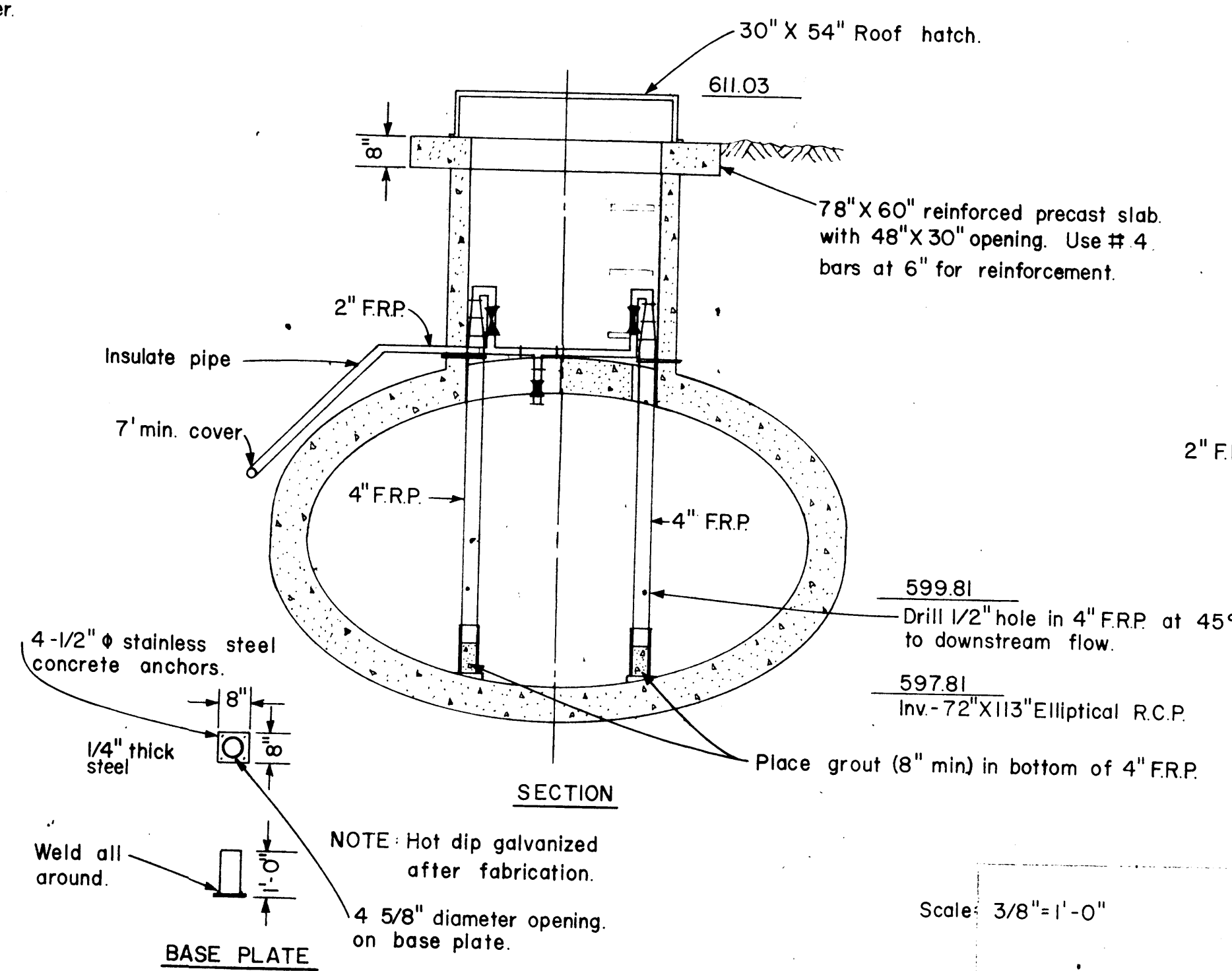
PLAN



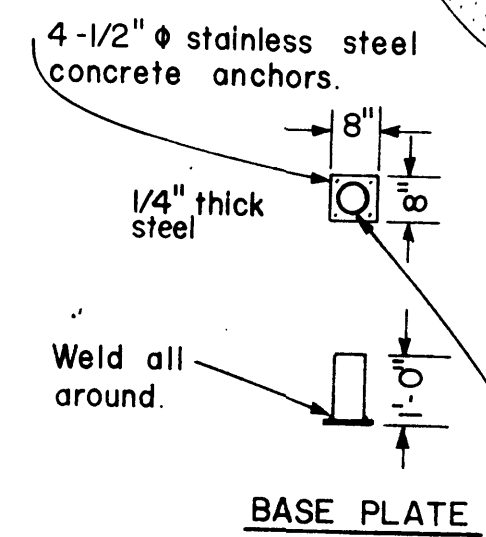
SECTION

MH-S63 AND MH-S63A (CONAN AVE)

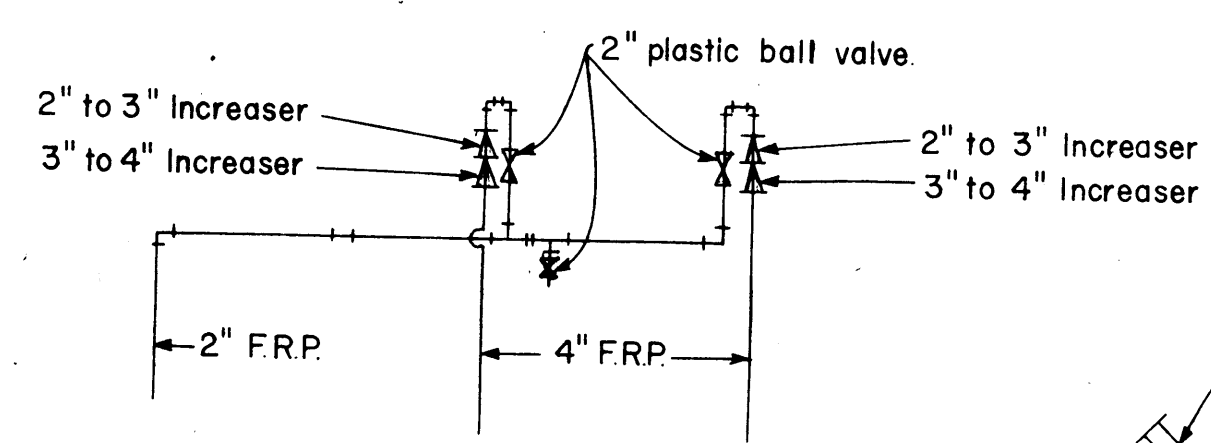
Scale: 3/8" = 1'-0"



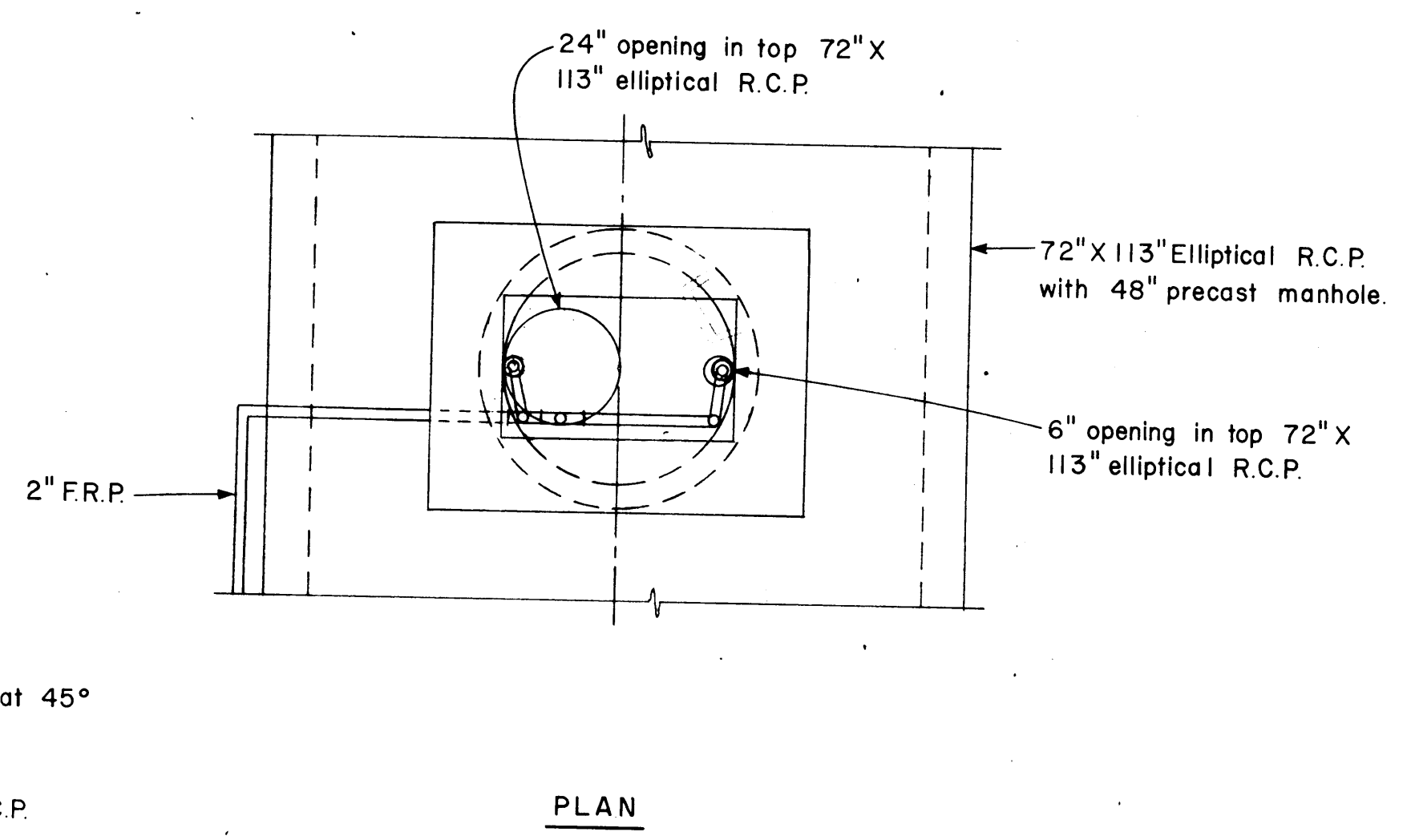
SECTION



BASE PLATE



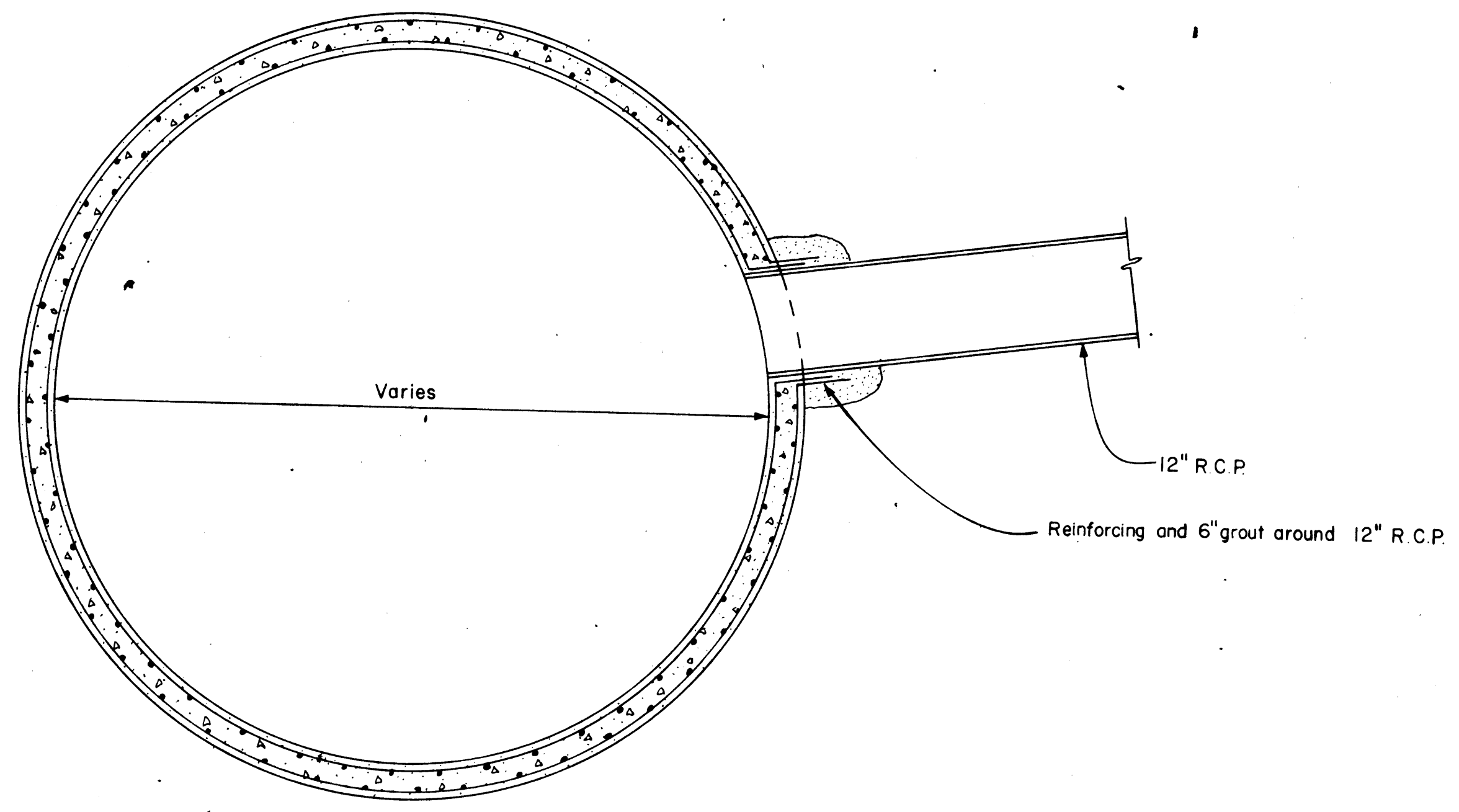
PIPING DIAGRAM



PLAN

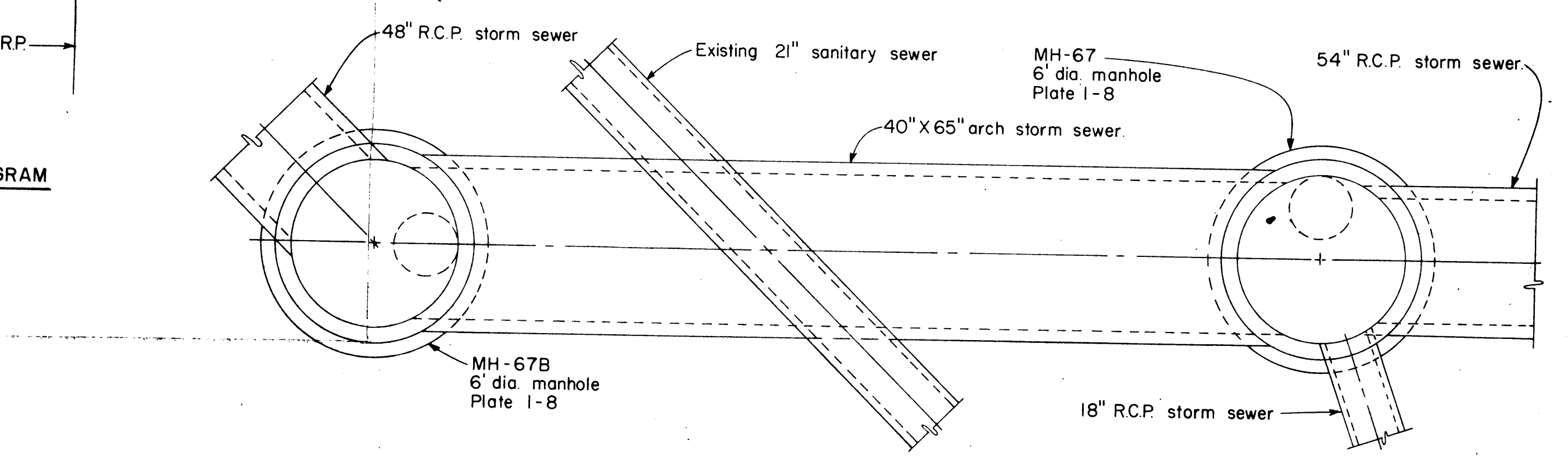
SPECIAL MH-1

Scale: 3/8" = 1'-0"

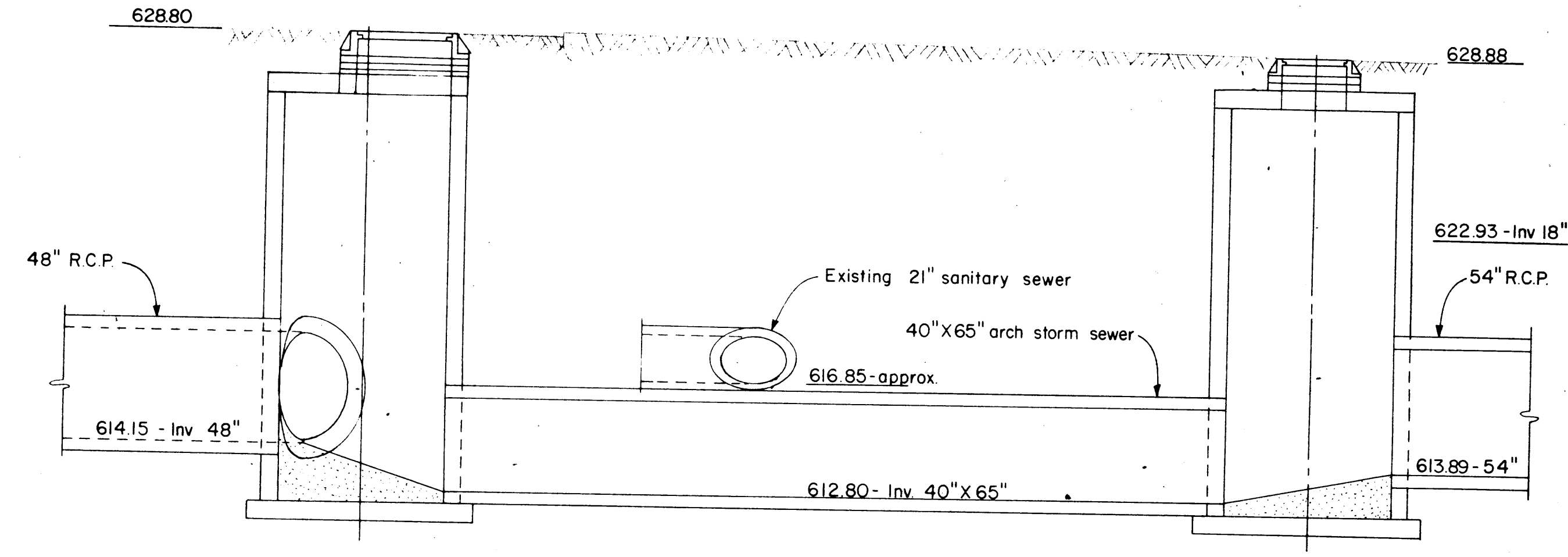


TYPICAL 12" CUT IN SECTION

Not to scale



PLAN



SECTION

SPECIAL SEWER CROSSING @ BELKAP & ELM (MH-67 & MH-67B)

Scale: 1/4" = 1'-0"