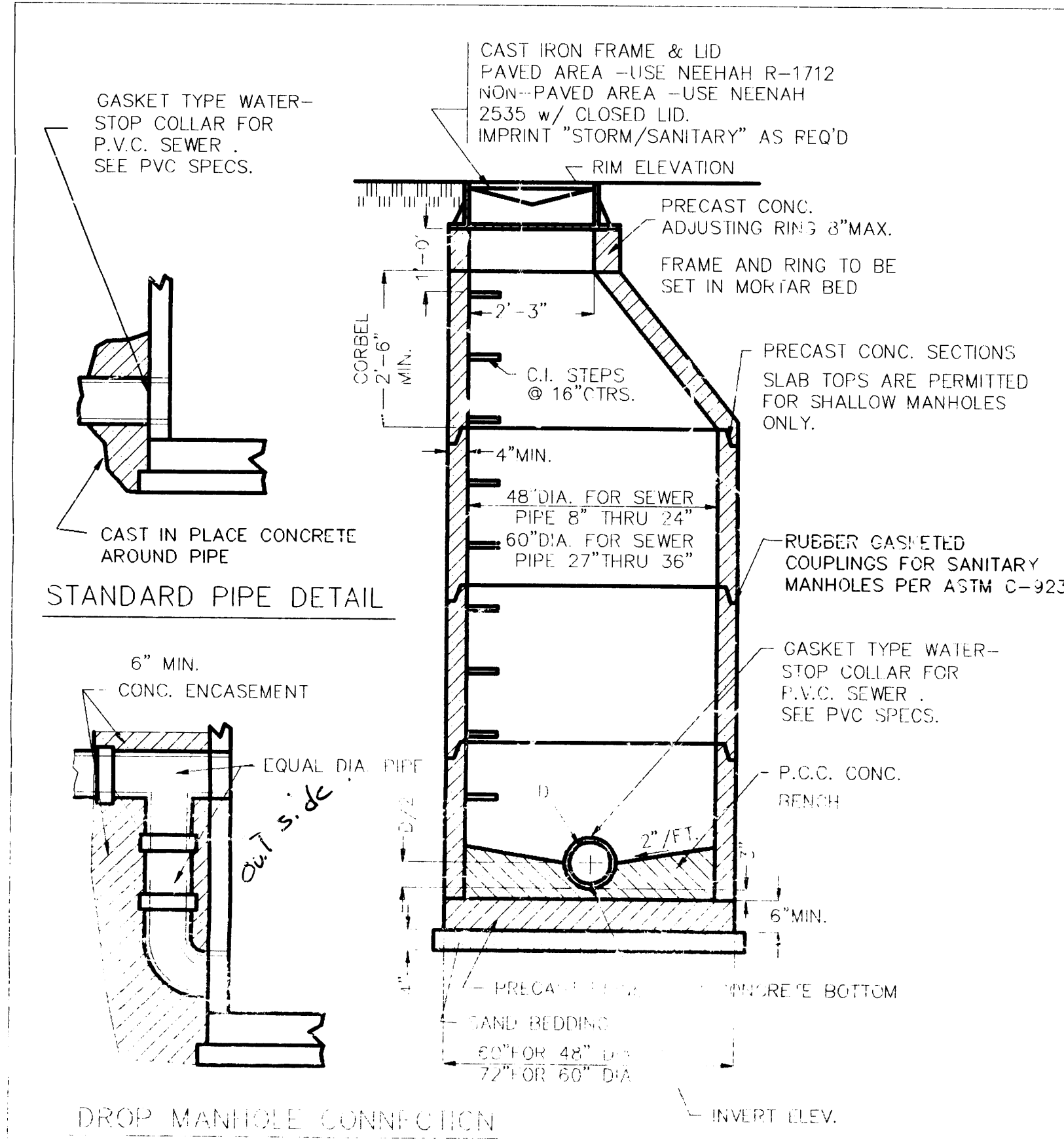
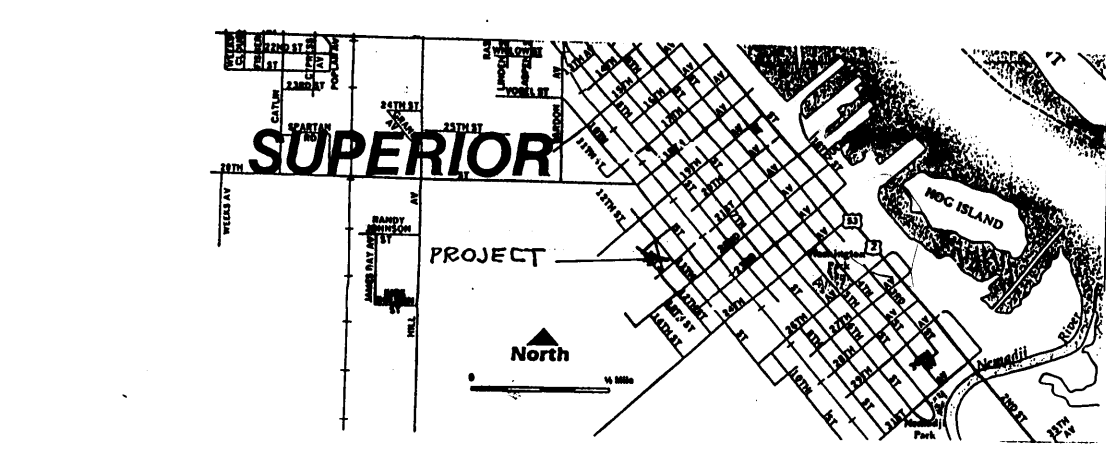
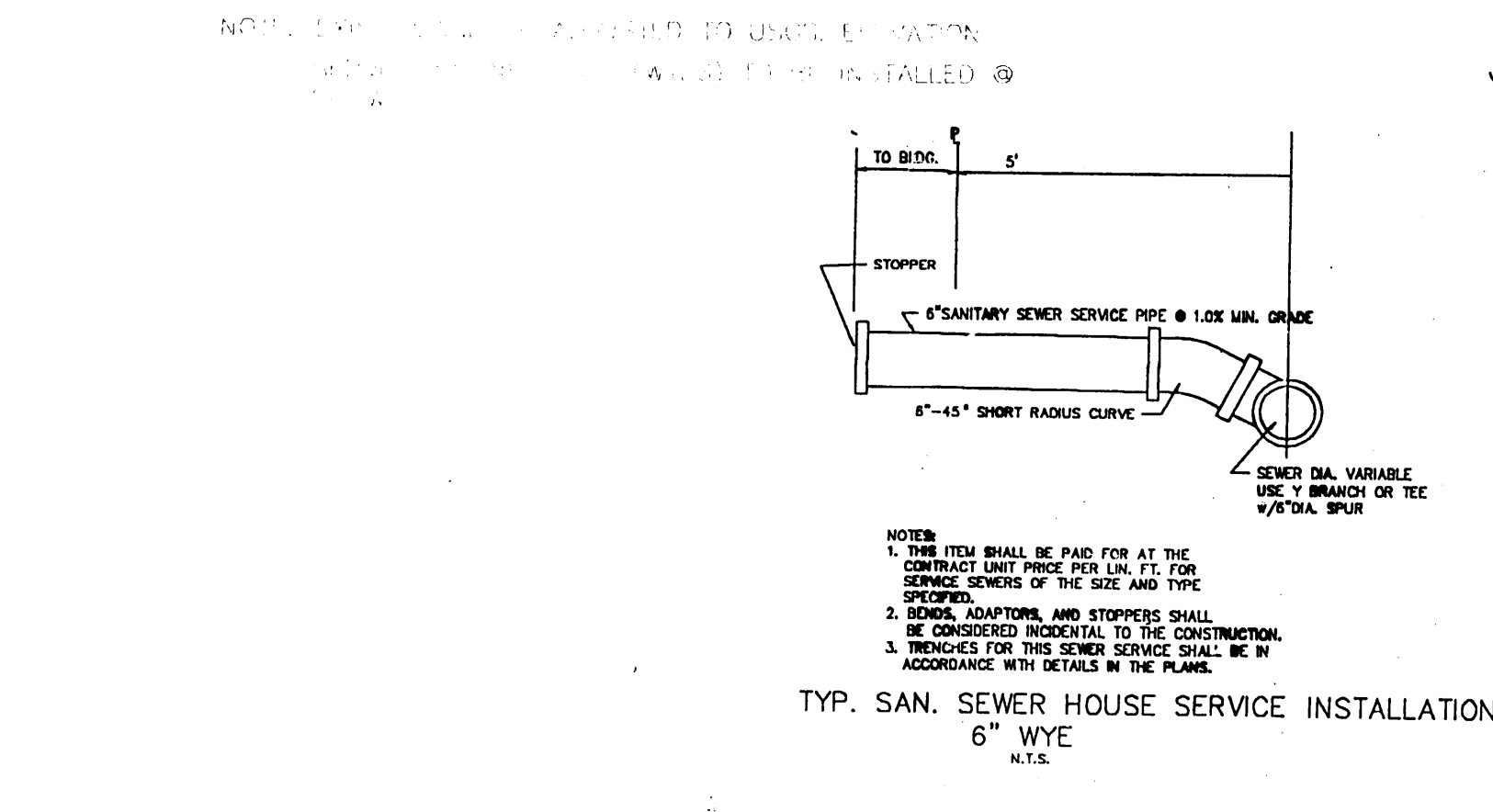


PROFILE  
SCALE:  
1" = 50' HOR.  
1" = 5' VERT.



TYPICAL MANHOLE TYPE "A"

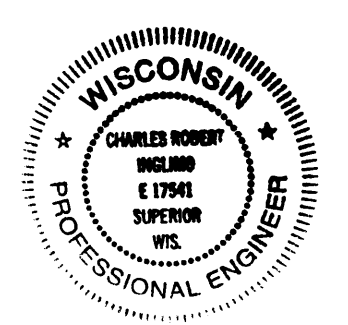


LOCATION

I, HEREBY, CERTIFY THAT ALL PLANS AND SPECIFICATIONS HAVE BEEN PREPARED BY ME AND IN COMPLIANCE WITH MUNICIPAL ORDINANCES AND WITH GOOD ENGINEERING PRACTICE.

GENERAL NOTES

- ALL WORK SHALL BE DONE IN ACCORDANCE WITH STANDARD SPECIFICATIONS FOR ROAD AND BRIDGE CONSTRUCTION, WISDOT, AND STANDARD SPECIFICATIONS FOR WATER AND SEWER MAIN IN WISCONSIN, 5th EDITION, WISCONSIN CONSTRUCTION SITE BEST MANAGEMENT PRACTICE HANDBOOK AND APPLICABLE SUPERIOR, WI. ORDINANCES.
  - BENCH MARK ELEVATIONS ARE TOP OF MANHOLE FRAMES.  
30.0 T.C. INDICATES TOP OF CURB ELEVATION.  
830.0 F.F. INDICATES ELEVATION OF FINISHED FRAME.  
830.0 G.H. INDICATES ELEVATION OF GROUND @ PROPOSED HYDRANT LOCATION.
  - PAVEMENT ITEM - BITUMINOUS CON. SURFACE CL.B - SHALL INCLUDE BITUMINOUS MATERIAL (PRIME) ACCORDING TO THE STANDARD SPECIFICATIONS.
  - PAVEMENT ITEM - PARKWAY RESTORATION - SHALL INCLUDE TOPSOIL PLACEMENT AND SEEDING ACCORDING TO THE STANDARD SPECIFICATIONS.
  - THE LOCATION OF EXISTING UTILITIES ARE SHOWN ON THE PLANS FOR INFORMATION ONLY AND REPRESENT THE BEST KNOWLEDGE OF THE ENGINEER. IT SHALL BE THE CONTRACTOR'S RESPONSIBILITY TO VERIFY LOCATIONS OF UTILITY INSTALLATIONS BEFORE STARTING CONSTRUCTION OPERATIONS.
  - THE CONTRACTOR SHALL CONTACT ALL UTILITY COMPANIES IN ORDER TO HAVE EXISTING UNDERGROUND LOCATIONS STAKED PRIOR TO CONSTRUCTION.
- NOTE: ALL CONTRACTORS TO NOTIFY VILLAGE ENGINEERS THREE (3) WORKING DAYS PRIOR TO COMMENCEMENT OF WORK, FAILURE TO DO SO MAY RESULT IN REJECTION OF COMPLETED WORK.
- ELEVATION DATUM IS USCS.
- SANITARY SEWER CONSTRUCTION
- ALL FLOOR DRAINS SHALL DISCHARGE TO THE SANITARY SEWER.
  - ALL SANITARY SEWER AND SEWER PIPE JOINTS SHALL CONFORM TO:  
-PVC SEWER - GASKET = D-3212  
-SOLVENT = D2855  
-PIPE = SDR 35 ASTM D2241
  - MINIMUM BEDDING - FOUR INCHES BELOW PIPE TO SPRING LINE, EXCEPT FOR PVC WHICH SHALL BE FOUR INCHES BELOW PIPE TO FLOOR LINE, ABOVE THE TOP OF THE PIPE. BEDDING SHALL BE OF GRADE #2 SAND.
  - MANHOLES SHALL HAVE FOUR INCHES OF STONE BEDDING. THE JOINTS SHALL HAVE 20" RING OR SHALL BE PREFORMED BITUMINOUS PLASTIC GASKET WITH INERT MATERIAL FILLER SIMILAR TO RAM-MEK TO PROVIDE A WATER TIGHT SEAL.  
WATER TIGHT GASKET SHALL BE PROVIDED AT ALL SANITARY SEWER MANHOLE CONNECTIONS. SUCH GASKETS SHALL BE IN ACCORDANCE WITH MANUFACTURER'S SPECIFICATIONS FOR THE PIPE OR FRAME USED.
  - WHILE IN EXISTING CROSS PAVEMENT AREAS, BENCHMARS SHALL BE JACKED TO THE EXISTING GRANULAR MATERIAL, WHERE ONLY EXISTING BENCHMARS ARE AVAILABLE, THE LOWER BENCHMARS SHALL IN ALL CASES BE BACKFILLED WITH GRANULAR MATERIAL.
  - WHILE IN EXISTING PAVED AREAS, BENCHMARS SHALL BE JACKED TO THE EXISTING GRANULAR MATERIAL, WHERE ONLY EXISTING BENCHMARS ARE AVAILABLE, THE LOWER BENCHMARS SHALL IN ALL CASES BE BACKFILLED WITH GRANULAR MATERIAL.
  - WHILE IN EXISTING PAVED AREAS, BENCHMARS SHALL BE JACKED TO THE EXISTING GRANULAR MATERIAL, WHERE ONLY EXISTING BENCHMARS ARE AVAILABLE, THE LOWER BENCHMARS SHALL IN ALL CASES BE BACKFILLED WITH GRANULAR MATERIAL.



**CRI**  
C.R.I. ENGINEERING  
Civil Engineering  
Land Planning  
Construction Management  
12 BADGER DRIVE SUPERIOR, WI. 54880  
(715) 394 7338

SAN. SEWER EXTENSION FOR  
JOHN FARMER