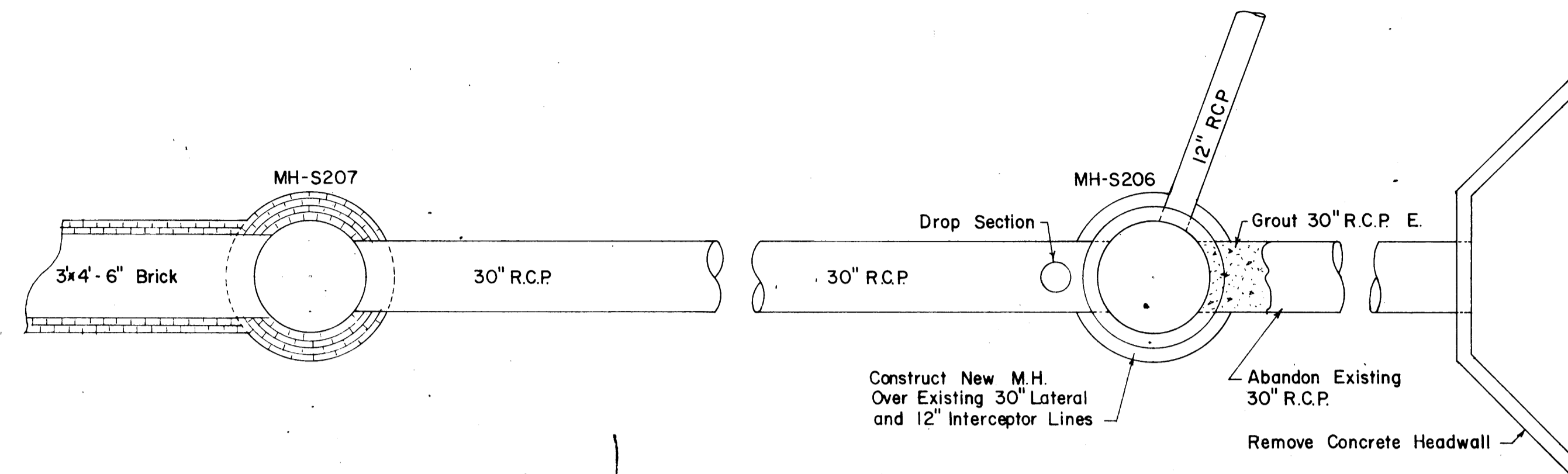


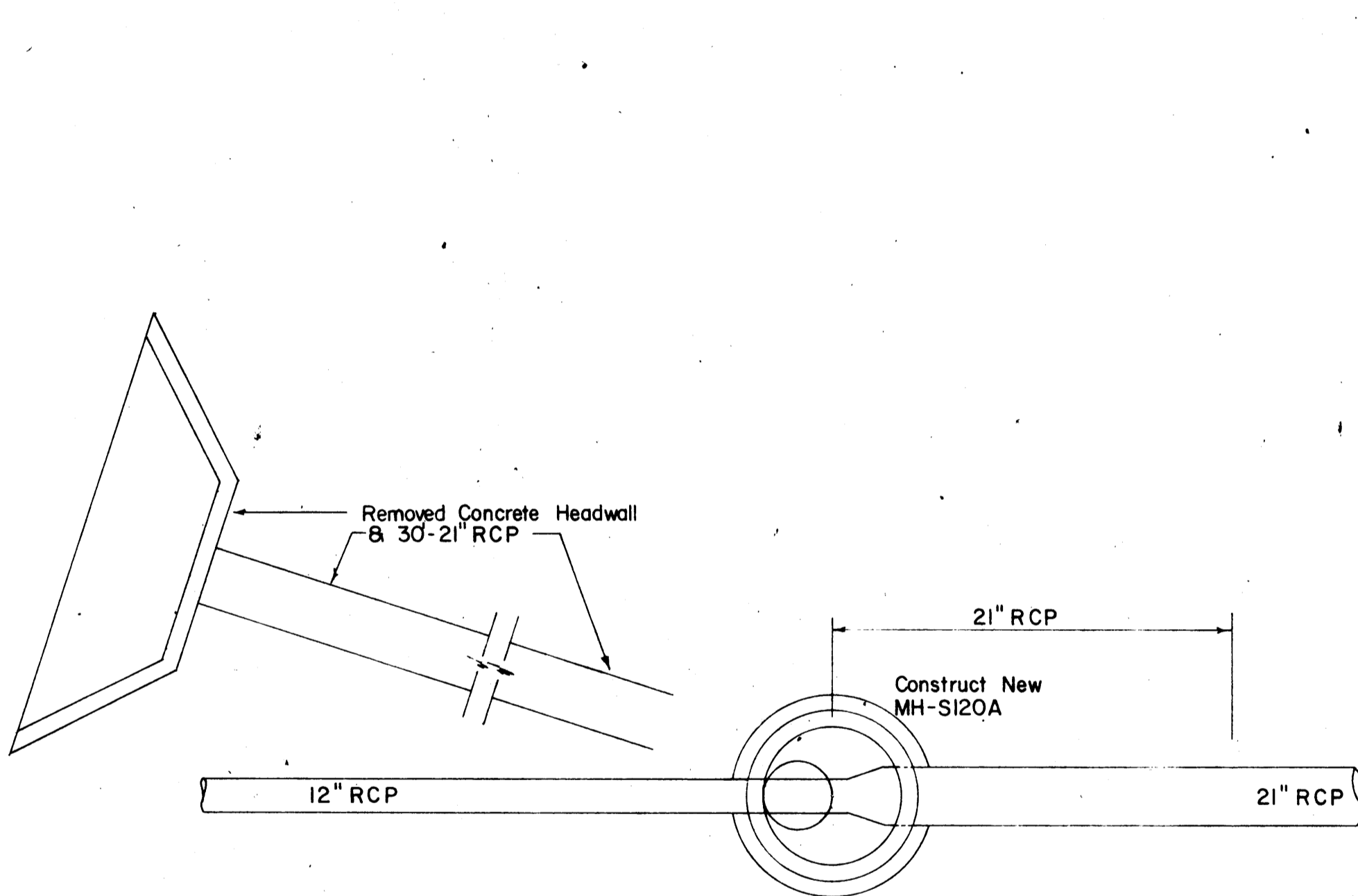
SECTION

STORM SEWER OVERFLOW on 24th AVE. E.
BETWEEN E. 9th St. & E. 10th. St.

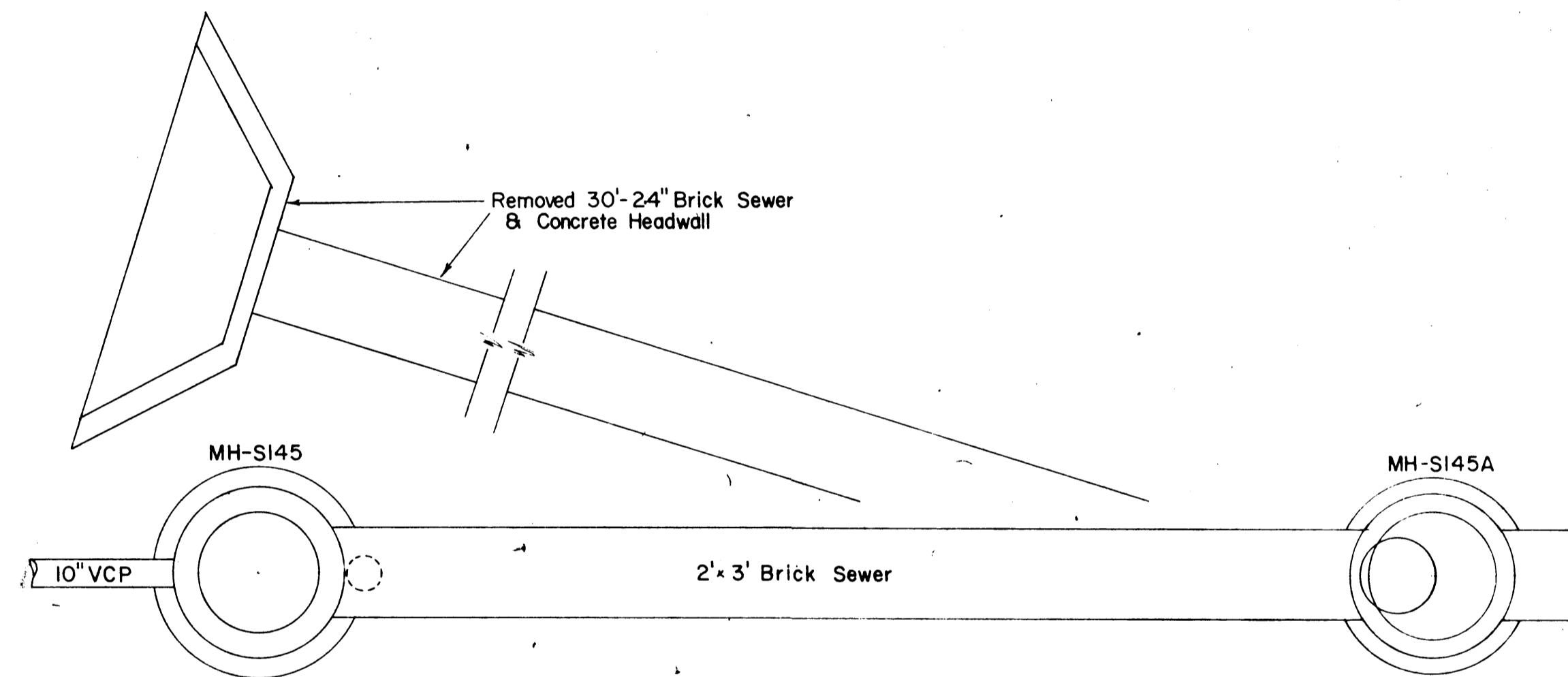
No Scale



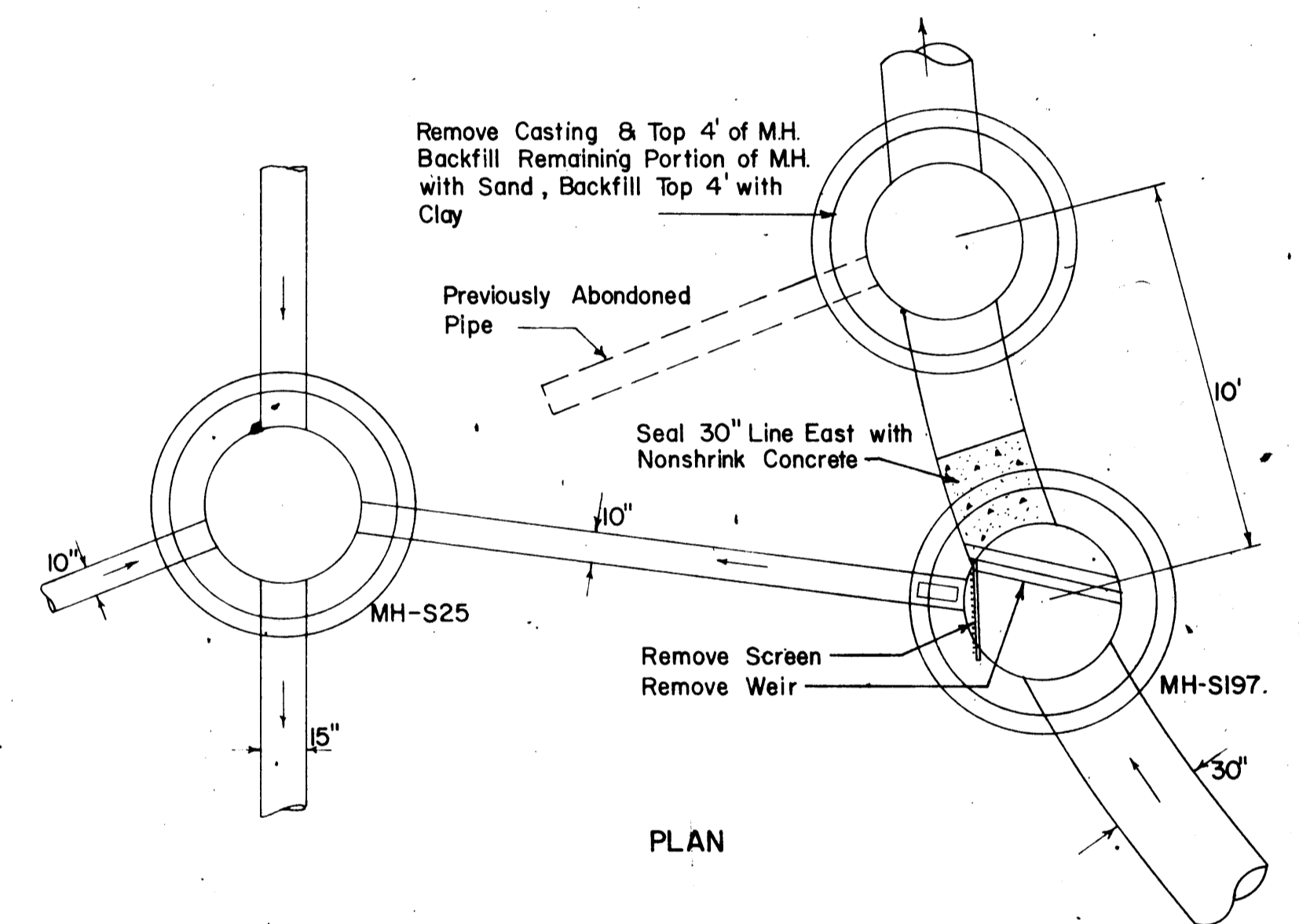
PLAN



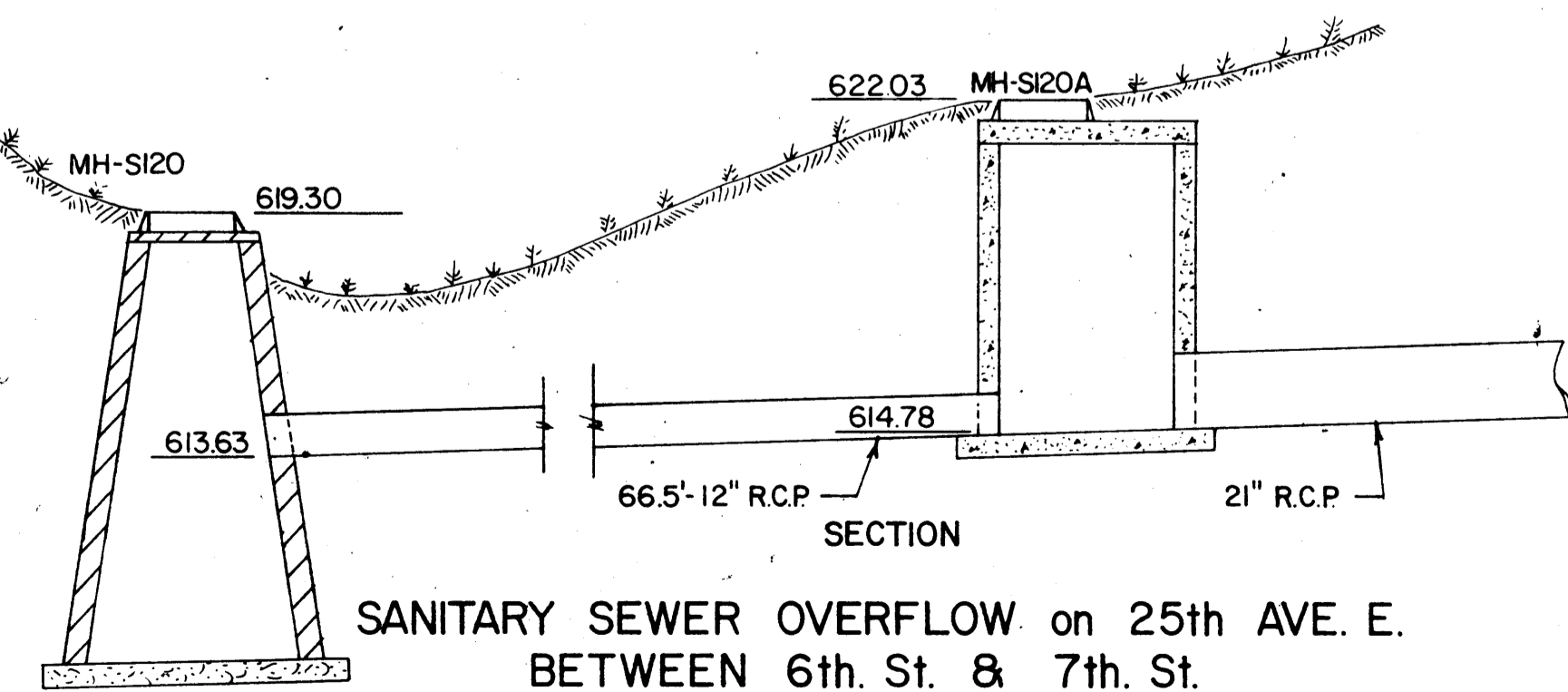
PLAN



PLAN

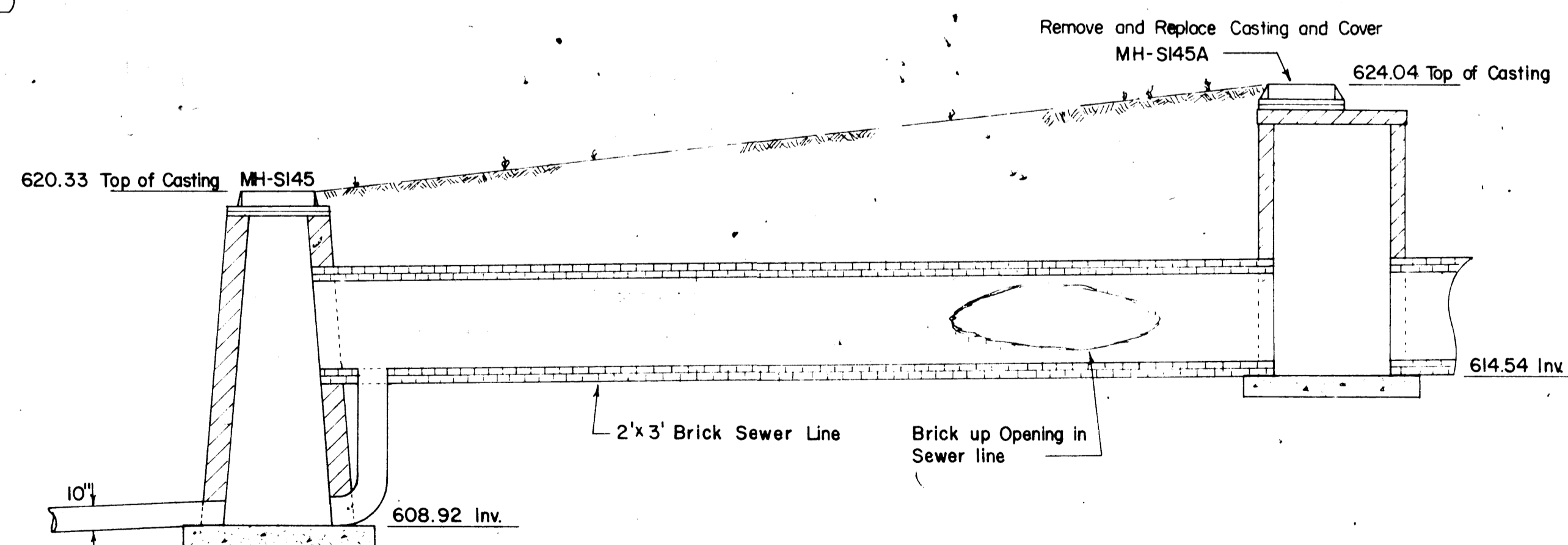


PLAN



SECTION

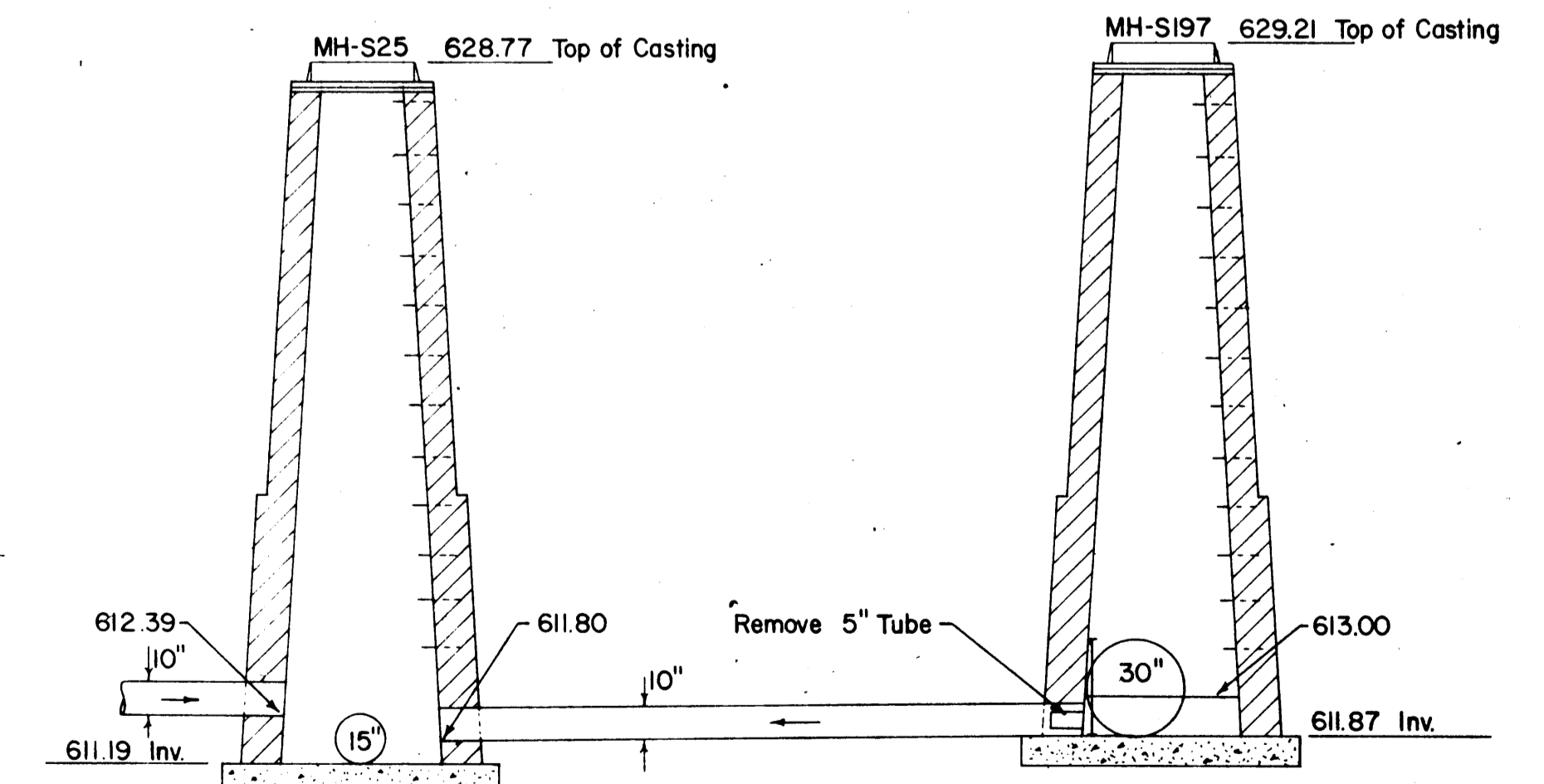
SANITARY SEWER OVERFLOW on 25th AVE. E.
BETWEEN 6th. St. & 7th. St.



SECTION

SANITARY SEWER OVERFLOW on 25th AVE. E.
BETWEEN E. 3rd. St. & E. 4th. St.

Scale 1/4" = 1'-0"



SECTION

SANITARY SEWER OVERFLOW @ 3rd. & 30th AVE. E.

Scale 1/4" = 1'-0"

DESIGNED BY: [Signature]
CHECKED BY: [Signature]
DATE: AUG. 26, 1974

SURVEY DE [Signature]
DRAWN R.L.
DESIGN GRC
APPROVED GRC

REVISIONS
RECORD PLANS
2/11/78 HBR

BONESTROO, ROSENE, ANDERLIK & ASSOC., INC.
ST. PAUL, MINNESOTA

SUPERIOR, WISCONSIN
DATE: AUG. 1, 1974
COMM 6888K

DISTRICT 4-EAST END
SEWER OVERFLOW DETAILS

4/22