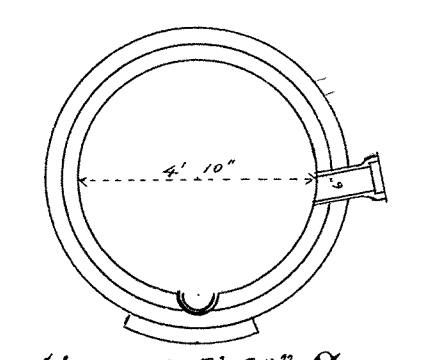
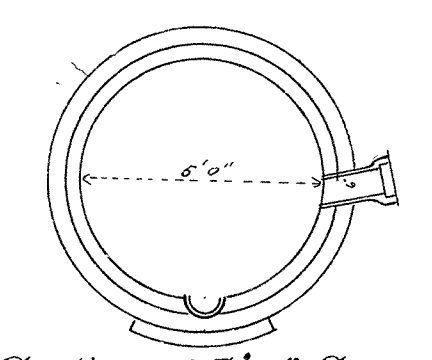


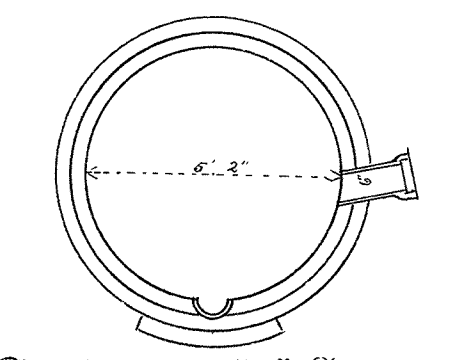
1893



Section of 4' 10" Sewer



Section of 5' 0" Sewer

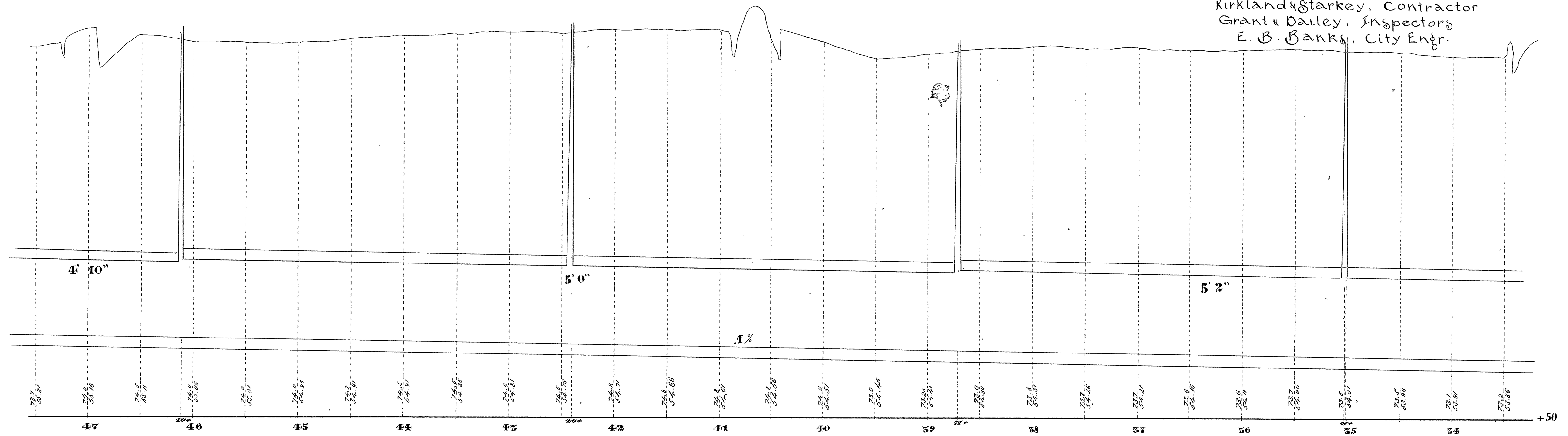


Section of 5' 2" Sewer

Scale: { Horizontal 60 ft = 1 inch
 Vertical 4 ft = 1 inch
 Section 4 ft = 1 inch

**CITY OF SUPERIOR
 SEWER PLAN**

Contract let June 25, 1891
 completed July 1, 1892
 Kirkland & Starkey, Contractor
 Grant & Dalley, Inspectors
 E. B. Banks, City Engr.



Plan & Profile of Sewer in Alley South of Central Ave. from Weeks Ave to Hammond Ave.

5-21