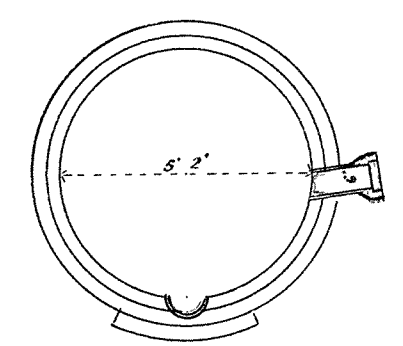


CITY OF SUPERIOR
SEWER PLAN

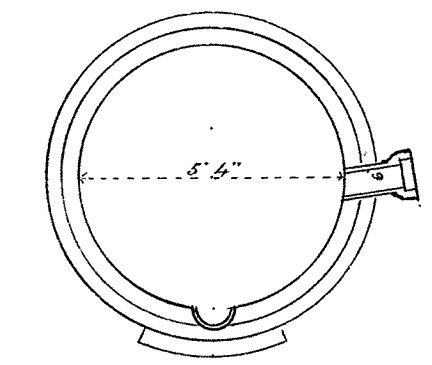
Contract let June 23, 1891
completed July 1, 1892
Kirkland & Starkey, Contractor
Wm. Coleman, Inspector
E. B. Banks, City Engr.

1895

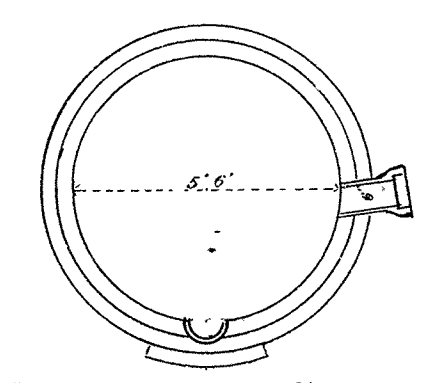
Scale: { Horizontal 60 ft. = 1 inch
Vertical 4 ft. = 1 inch
Section 4 ft. = 1 inch



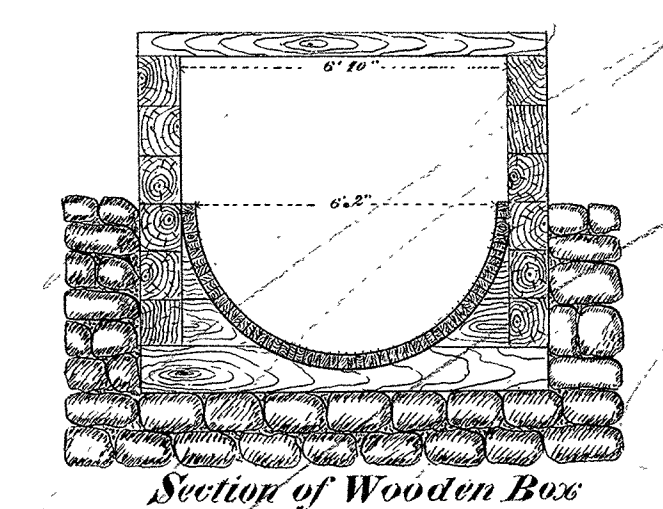
Section of 5' 2" Sewer



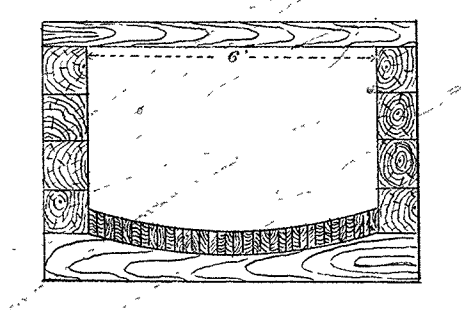
Section of 5' 4" Sewer



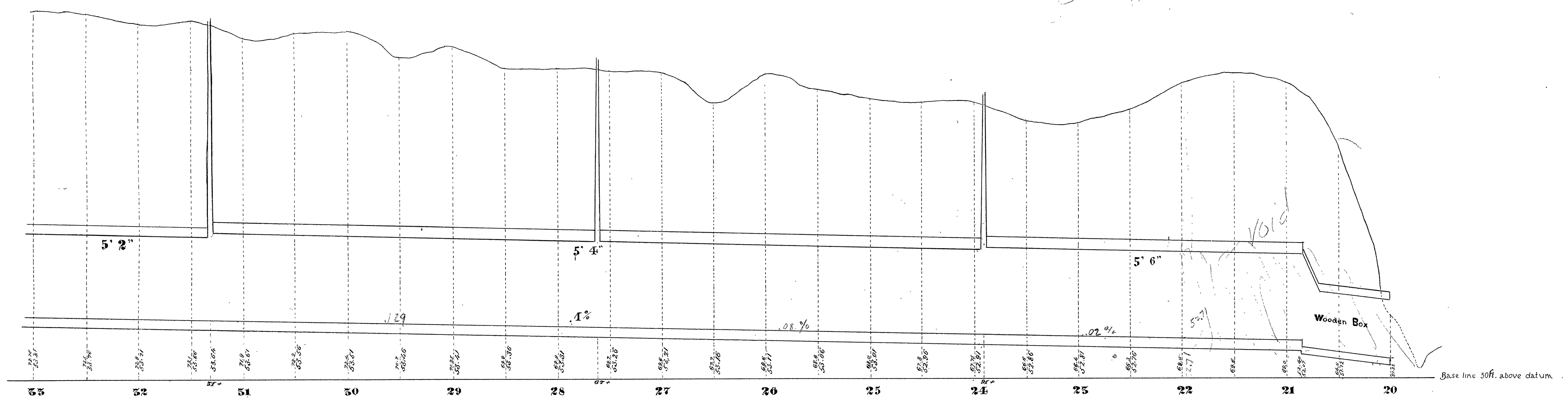
Section of 5' 6" Sewer



Section of Wooden Box



Section of Wooden Box



Plan & Profile of Sewer in Alley South of Central Ave. from Birch Ave. to Weeks Ave.

5-22