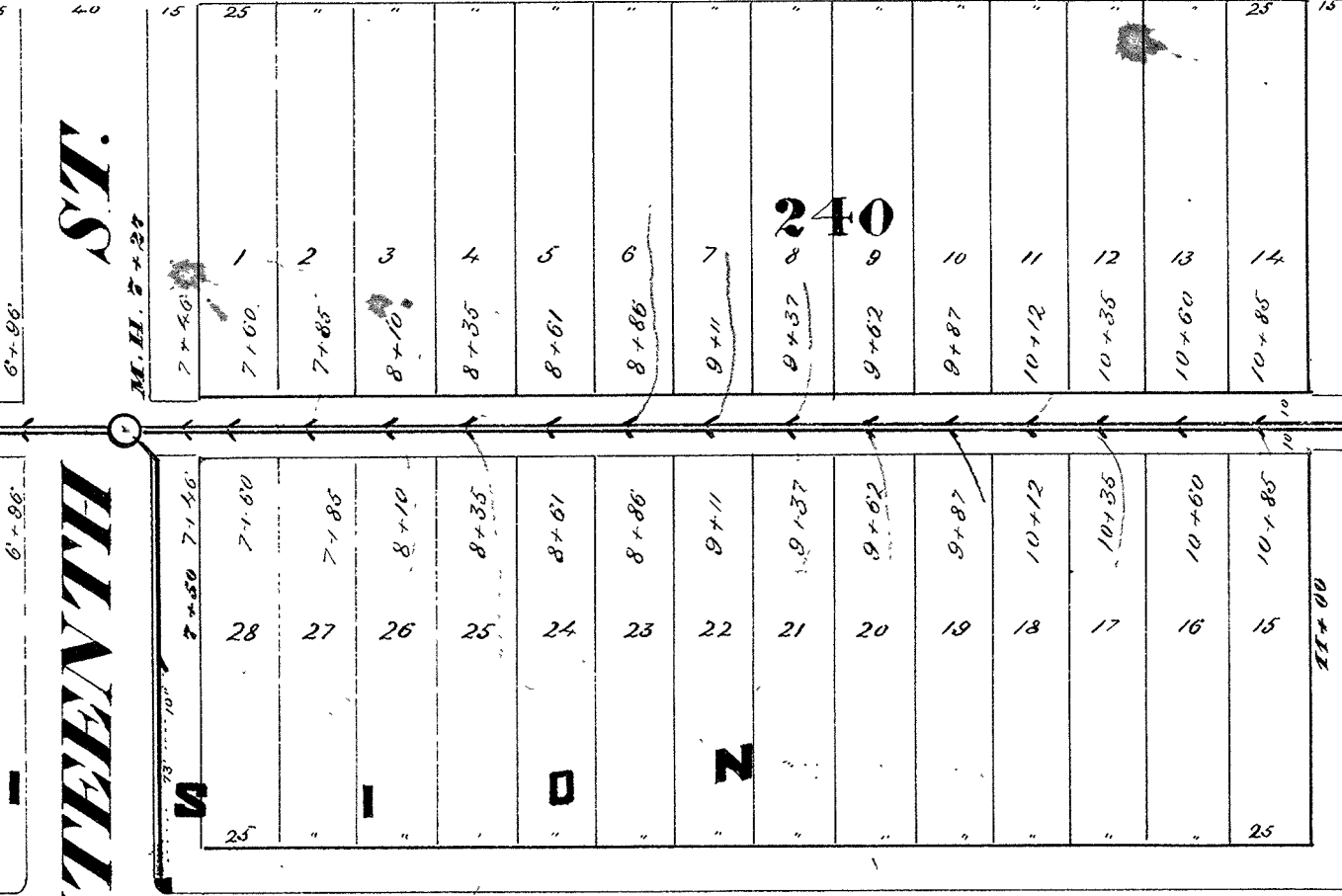
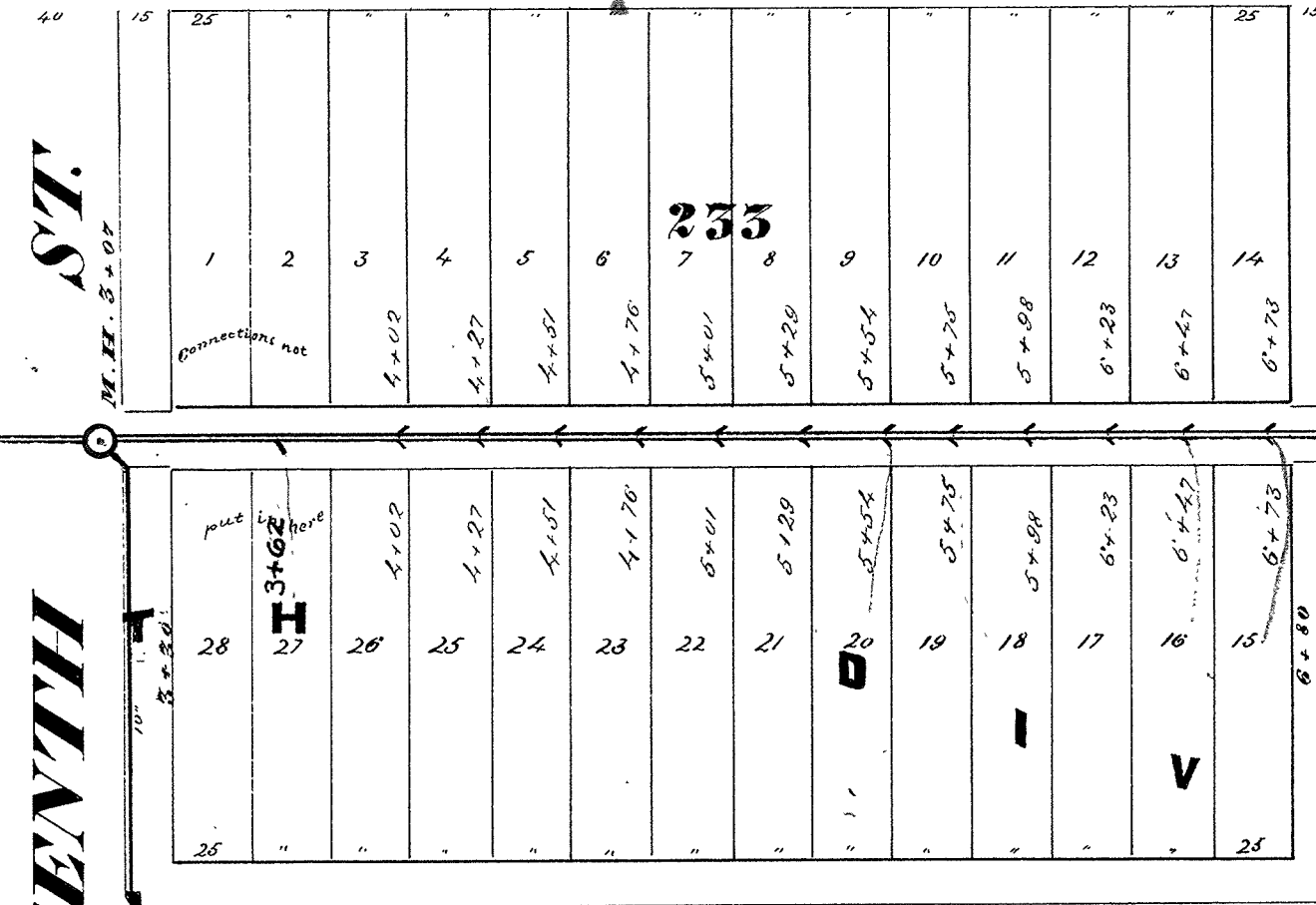
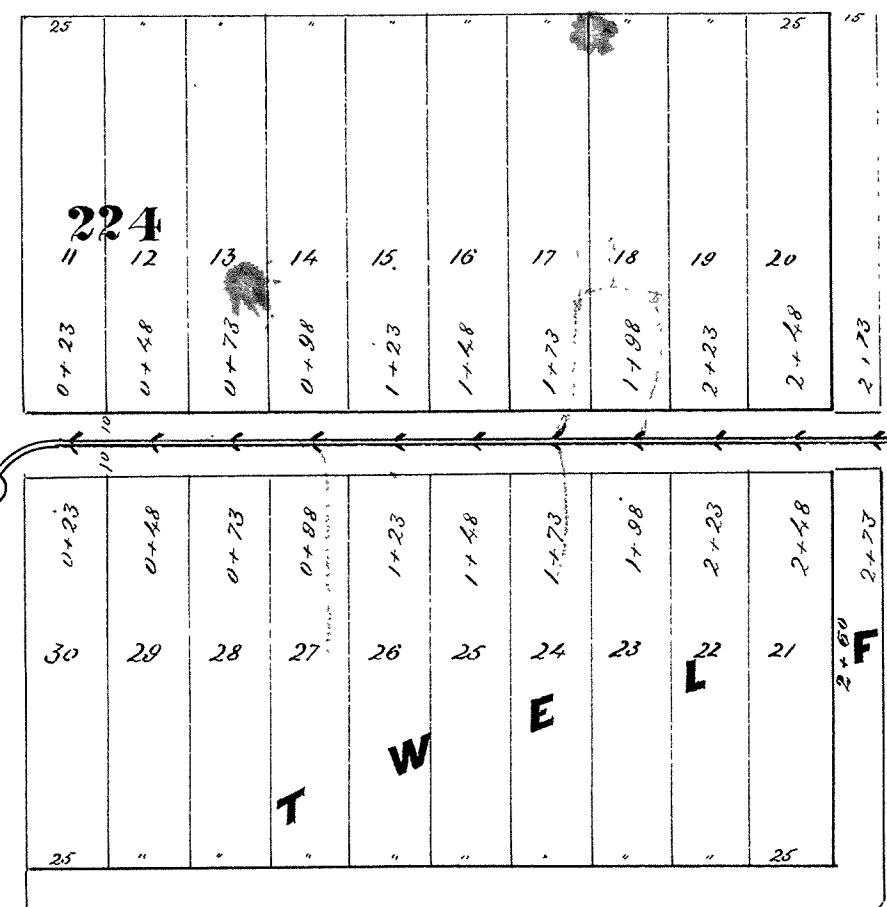
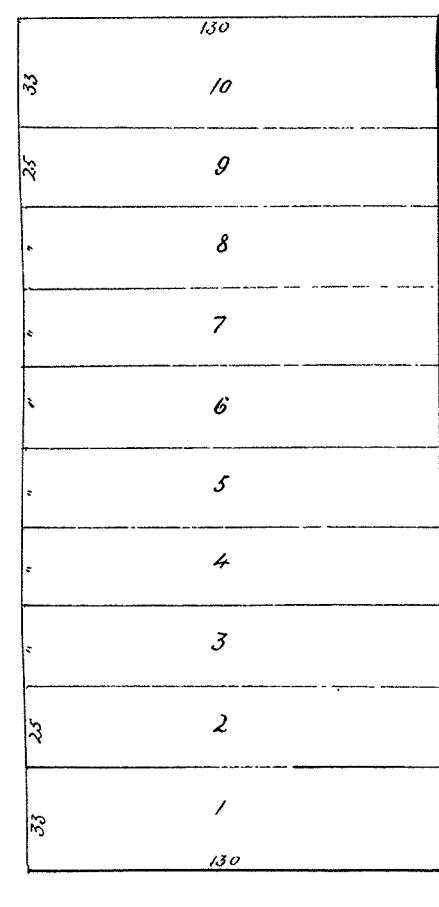


BELKNAP ST.

LACKAWANNA AVE.

AVE.



EIGHTEENTH ST.

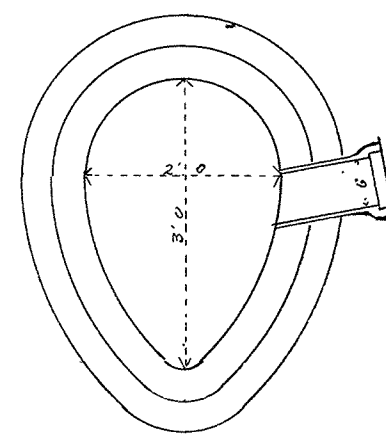
IOWA AVE.

AVE.

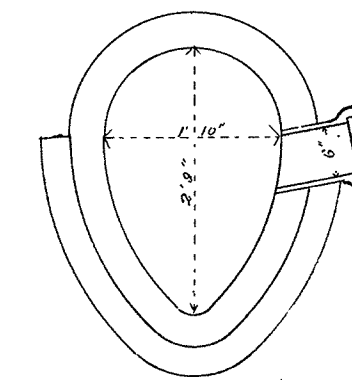
**CITY OF SUPERIOR
SEWER PLAN**

Contract let Aug. 31, 1892
completed Nov. 18, 1892
Johnson & Dole, Contractor
H. E. Brooks & Frank Schwalbach, Inspectors
A. S. Cooper, City Engineer

1893

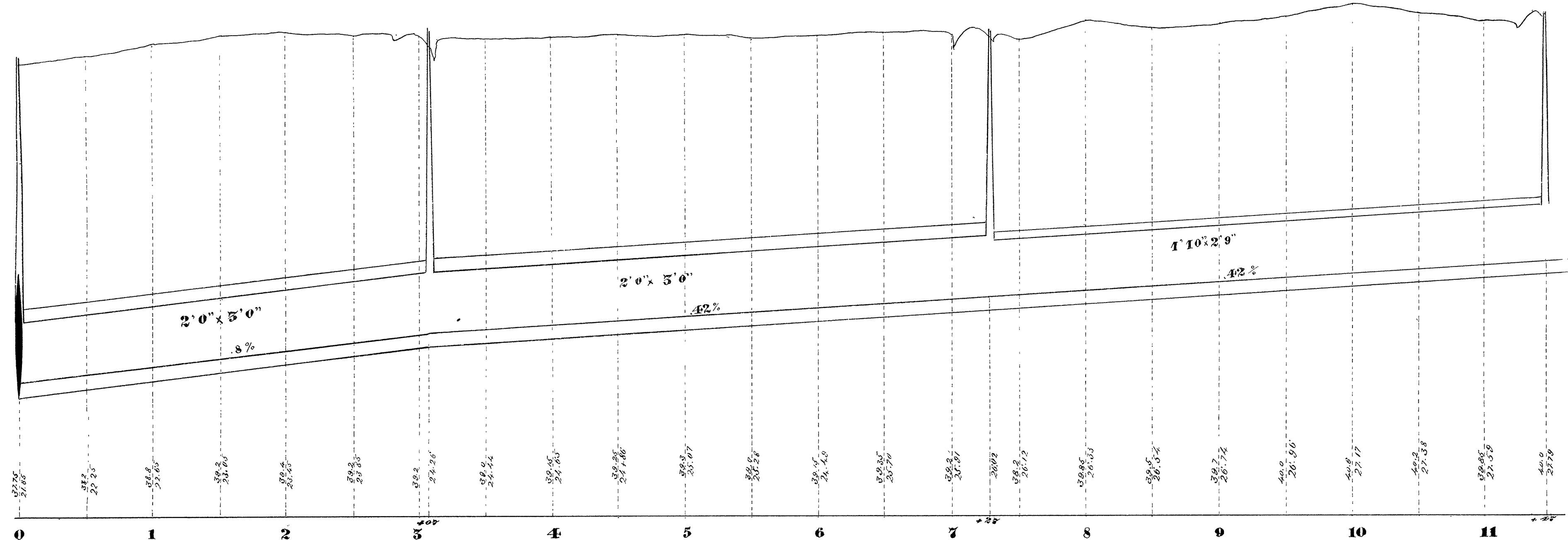


Section of 2'0" x 5'0" Sewer



Section of 1'10" x 2'9" Sewer

Scale { Horizontal 60ft = 1inch
Vertical 4ft = 1inch
Section 4ft = 1inch



Plan & Profile of Sewer in Alley betw. Iowa and Lackawanna Aves. from Belknap St. to 18th St.

Base line 15ft. above datum

6-16