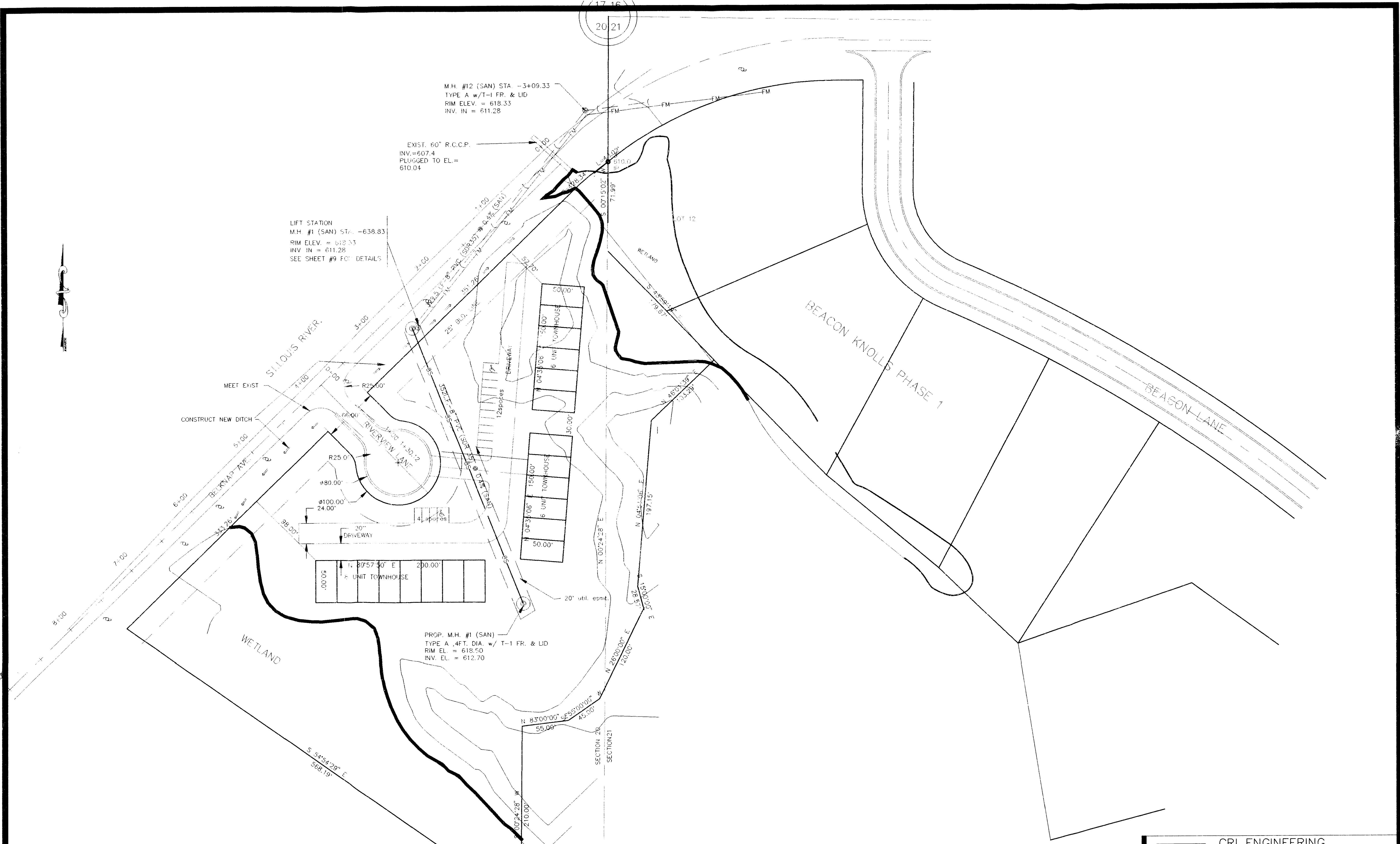


M.H. #12 (SAN) STA -3+09.33  
 TYPE A w/T-1 FR. & LID  
 RIM ELEV. = 618.33  
 INV. IN = 611.28

EXIST. 60" R.C.C.P.  
 INV.=607.4  
 PLUGGED TO EL.=  
 610.04

LIFT STATION  
 M.H. #1 (SAN) STA -638.83  
 RIM ELEV. = 618.33  
 INV. IN = 611.28  
 SEE SHEET #9 FOR DETAILS

PROP. M.H. #1 (SAN)  
 TYPE A .4FT. DIA. w/ T-1 FR. & LID  
 RIM EL. = 618.50  
 INV. EL. = 612.70

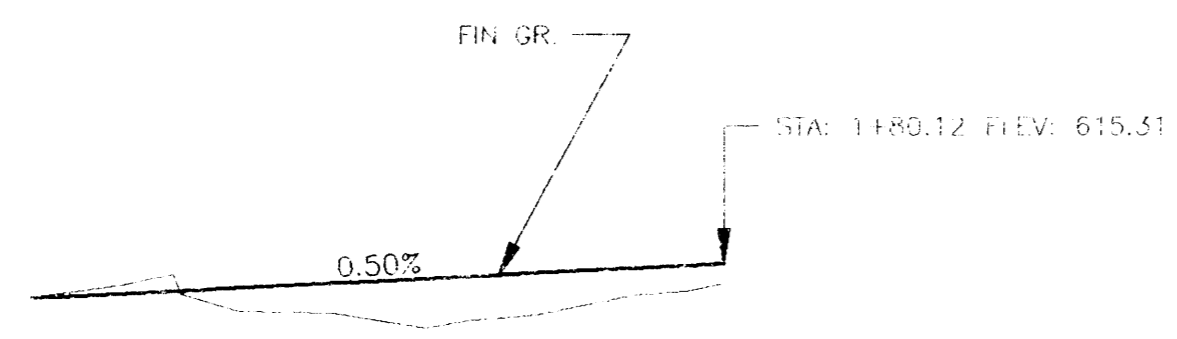


NO.	DATE	DESCRIPTION	BY

**CRI ENGINEERING**  
 Civil Engineering  
 Land Planning  
 Construction Management  
 12 BADGER DRIVE SUPERIOR, WI. 54080  
 (715) 394 7338 FAX (715) 394 7233

JOB NAME: BEACON KNOLLS ESTATES PHASE 3  
 DRAWN BY: C.R.I.  
 SCALE: 1" = 50'  
 DATE: 7/18/94  
 DESCRIPTION: SITE PLAN

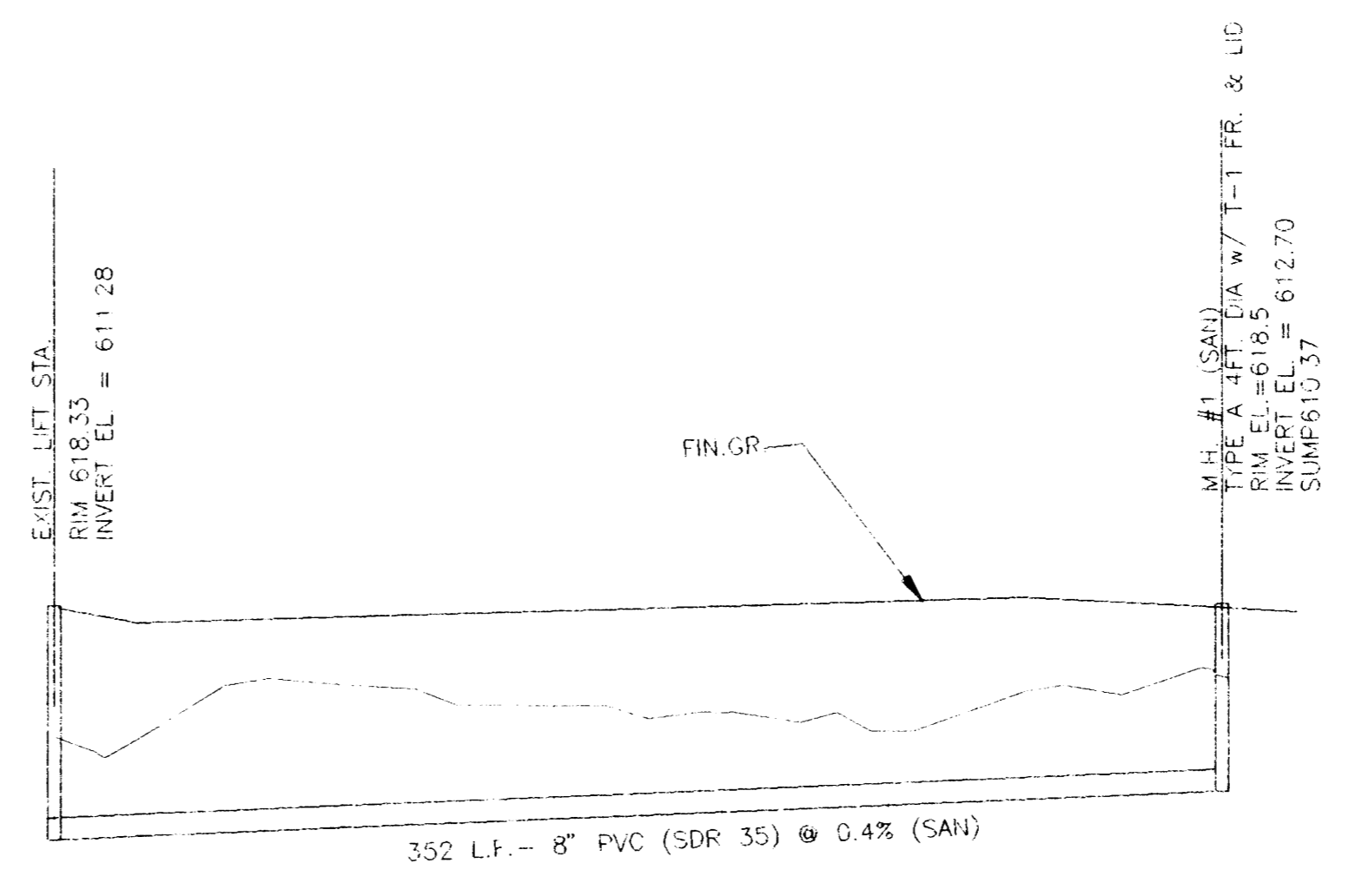
CHECKED BY: [ ]  
 JOB NUMBER: [ ] SHEET: 3



DATUM ELEV  
600.00

614.4	614.1	613.6	614.3
614.41	614.66	614.91	615.16
0+00		1+00	

PROFILE RIVERVIEW LANE  
SCALE: 1"=50' HOR.  
1"=5' VERT.



DATUM ELEV  
600.00

614.4	615.8	615.9	615.3	615.1	614.5	615.8	616.1
0+00	1+00		2+00		3+00	4+00	5+00

PROFILE SAN SEWER  
SCALE: 1"=50' HOR.  
1"=5' VERT.

NO.	DATE	DESCRIPTION	BY

**CRI ENGINEERING**  
Civil Engineering  
Land Planning  
Construction Management  
18 BADGER DRIVE SUPERIOR, WI 54980  
(715) 394 7330 FAX (715) 394 7233

DRAWN BY: C.R.I. CHECKED BY:

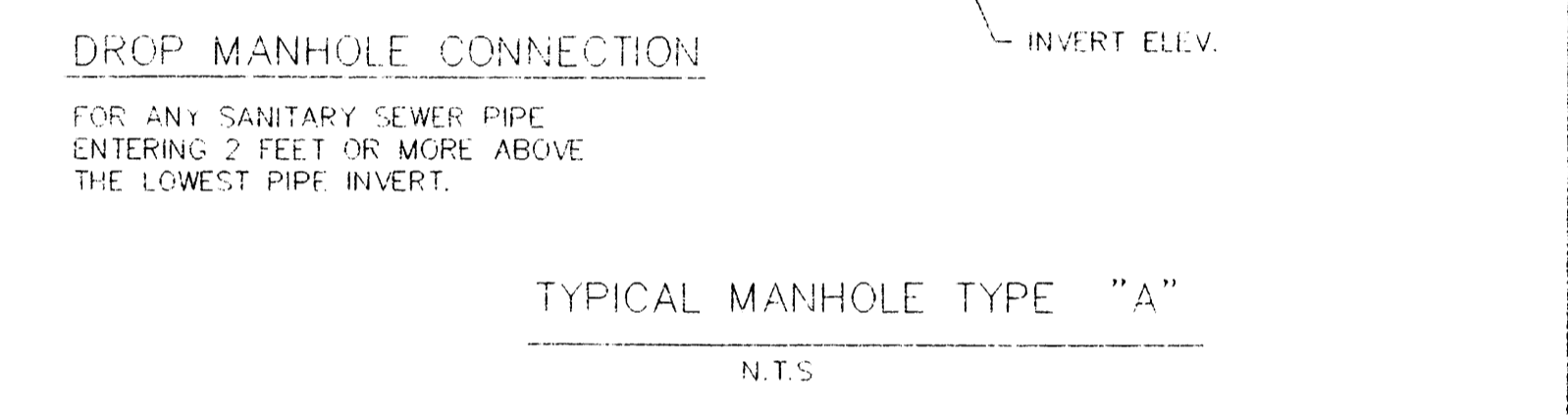
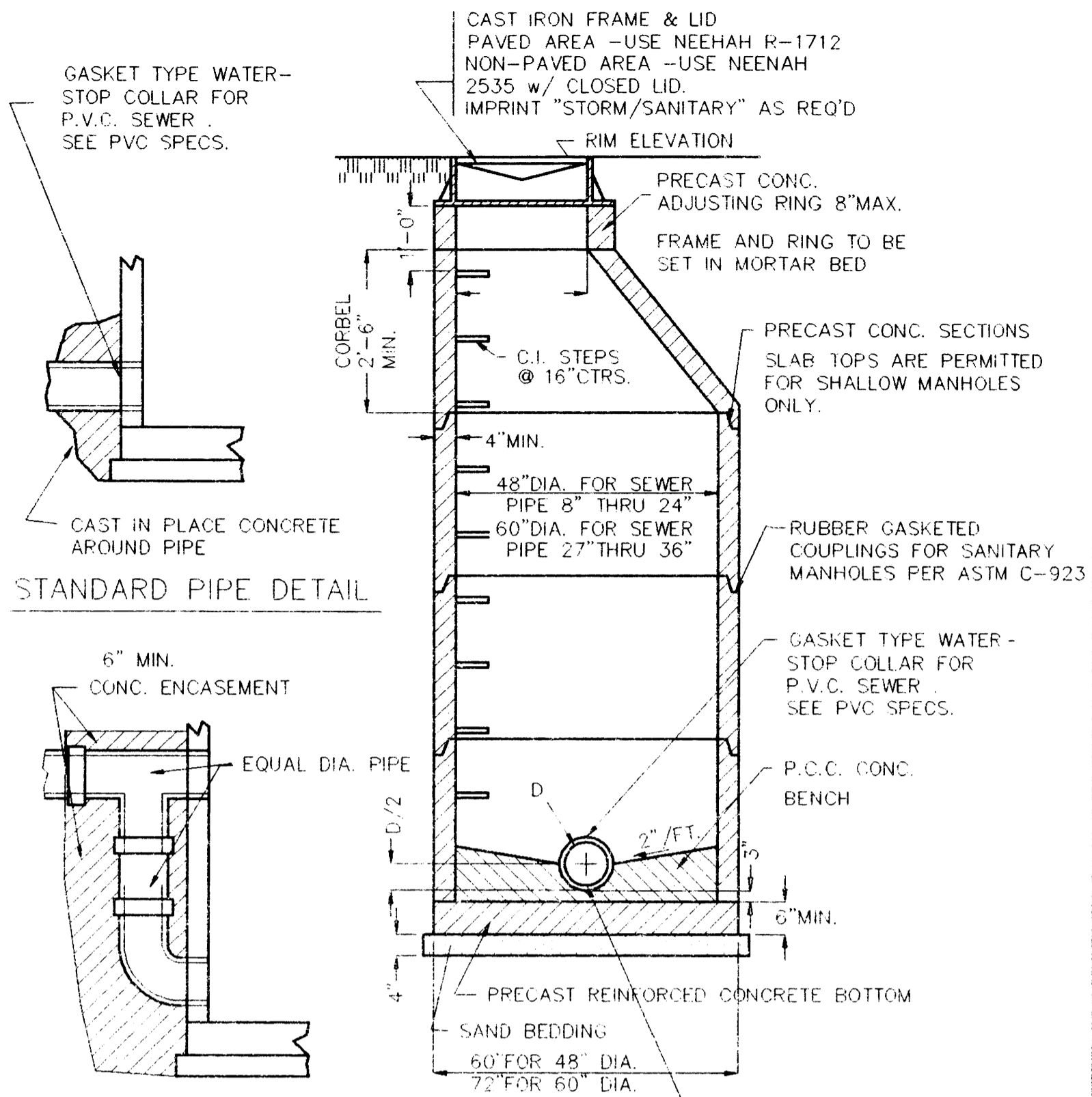
SCALE: 1" = 50'

DATE: 7/18/94

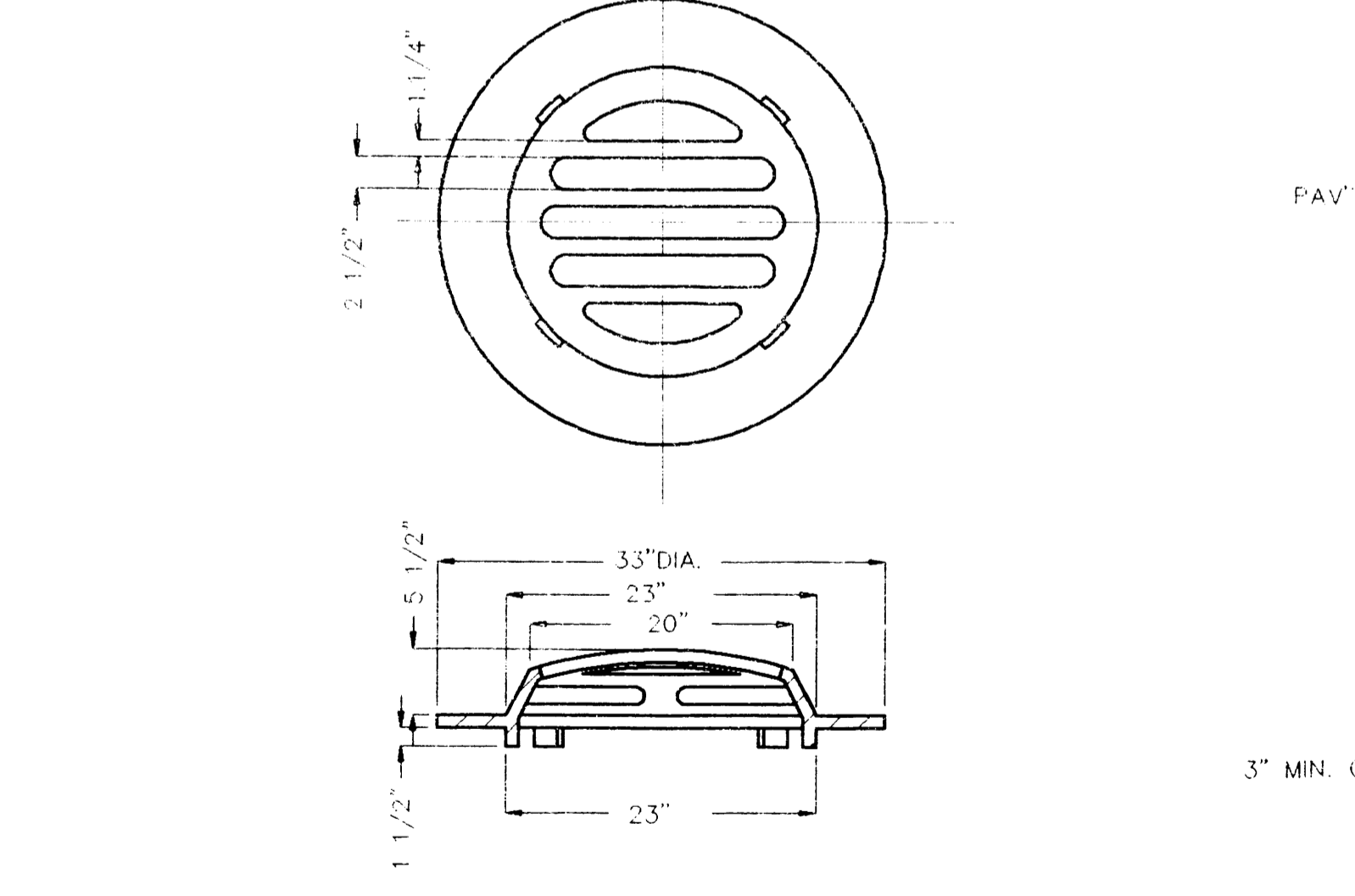
JOB NUMBER SHEET

DESCRIPTION: PROFILES 6

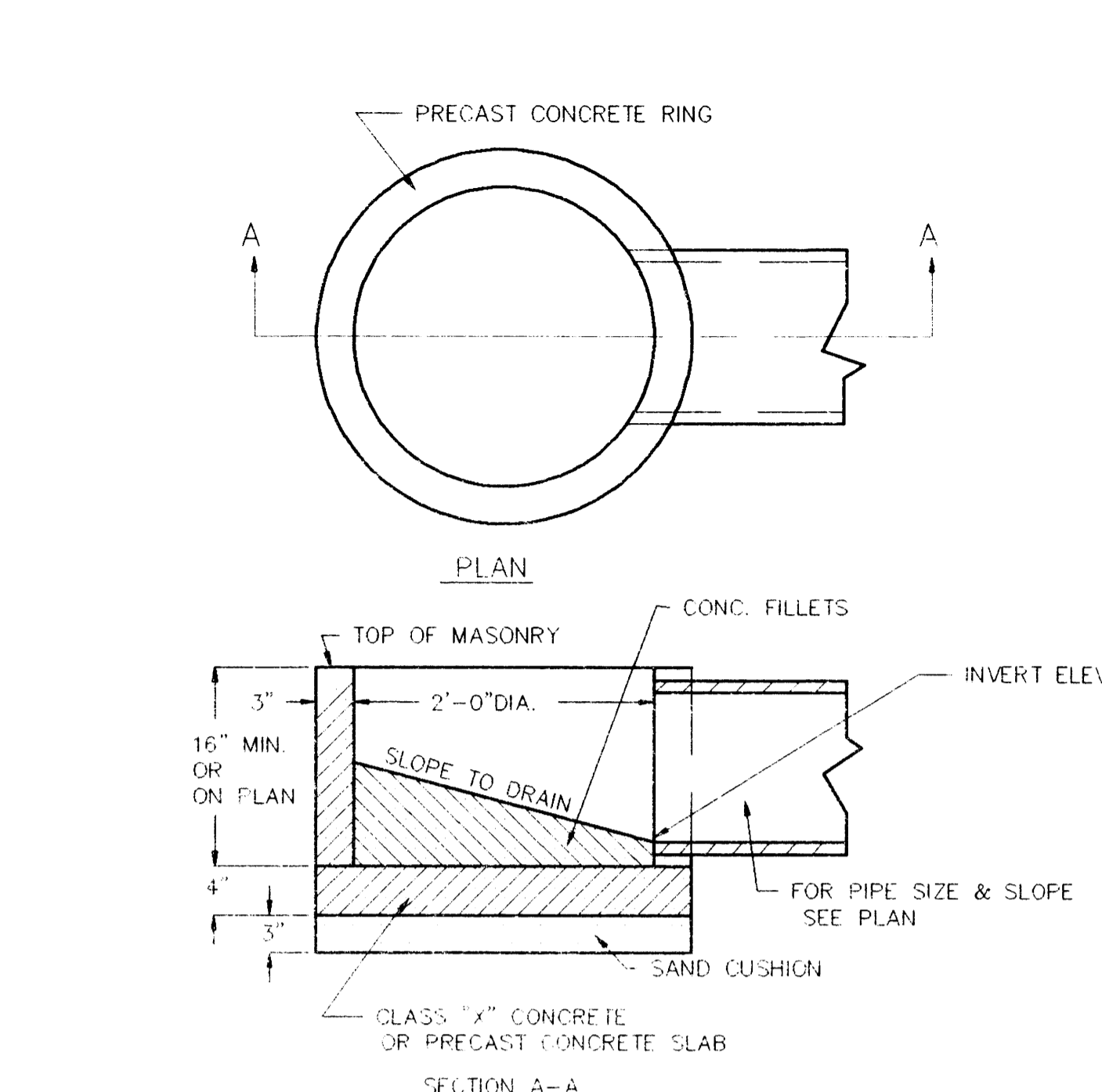
JOB NAME: BEACON KNOLLS ESTATES PHASE 3



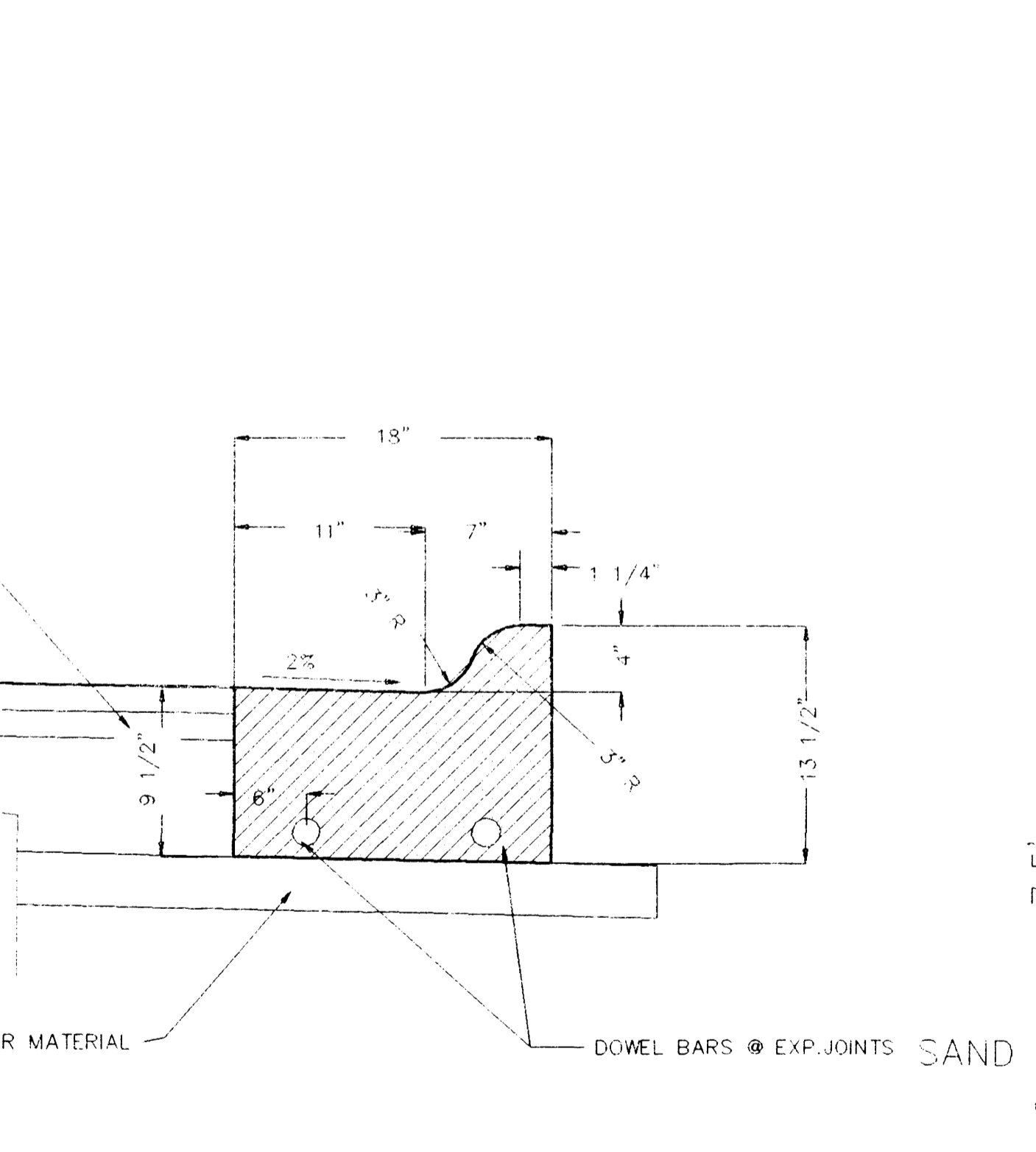
TYPICAL MANHOLE TYPE "A"  
N.T.S.



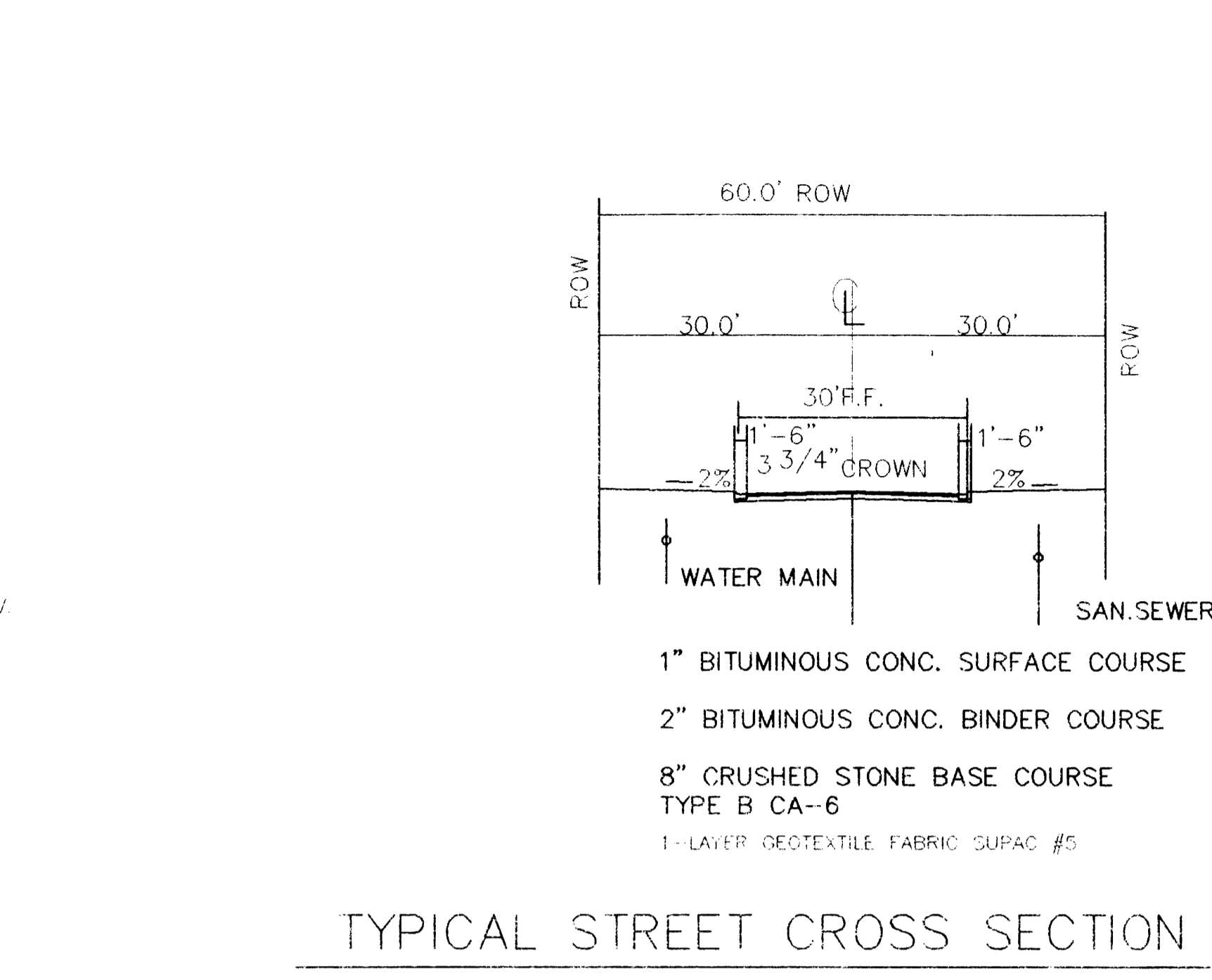
CATCH BASIN-STORM SEWER MANHOLE -TYPE C GRATE  
N.T.S.  
NEENAH R-4342



TYPE 1 INLET  
N.T.S.

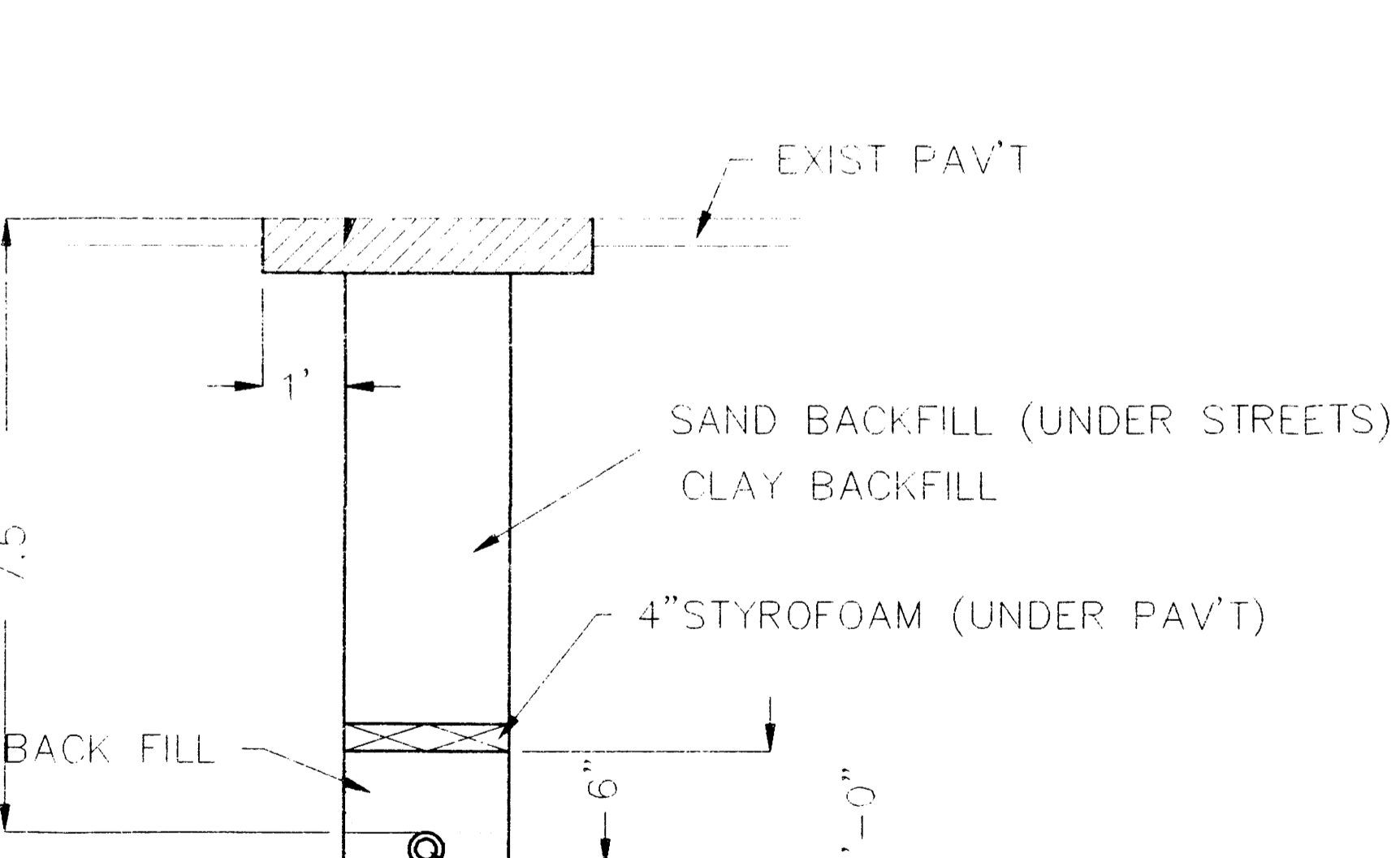


CURB & GUTTER  
TYPE M-3.12



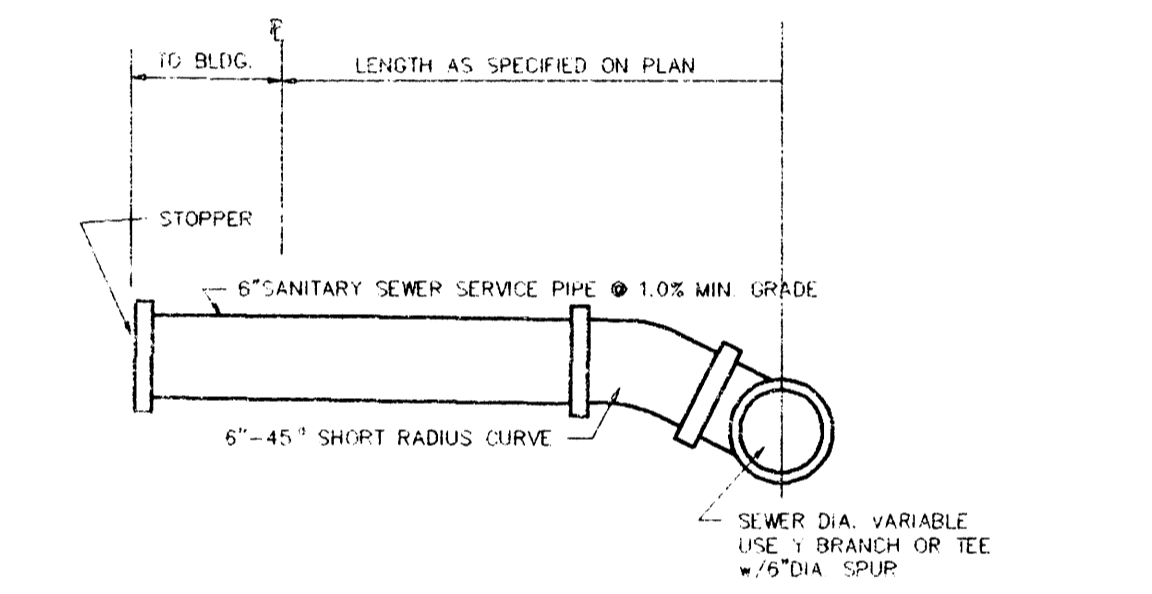
TYPICAL STREET CROSS SECTION

SURFACE COURSE SHALL BE INSTALLED AT LEAST 6 MONTHS AFTER BINDER COURSE OR DURING THE FOLLOWING CONSTRUCTION SEASON.




DETAIL OF CONDUIT INSTALLATION  
N.T.S.

M-3.12 P.C.C.MOUNTABLE CURB & GUTTER BOTH SIDES



TYP. SAN SEWER HOUSE SERVICE INSTALLATION  
N.T.S.

- NOTES:
1. THIS ITEM SHALL BE PAID FOR AT THE CONTRACT UNIT PRICE PER LIN. FT. FOR SERVICE SEWERS OF THE SIZE AND TYPE SPECIFIED.
  2. BRIS, ADAPTORS, AND STOPPERS SHALL BE CONSIDERED INCIDENTAL TO THE CONSTRUCTION.
  3. TRENCHES FOR THIS SEWER SERVICE SHALL BE IN ACCORDANCE WITH DETAILS IN THE PLANS.

 <b>CRI ENGINEERING</b> Civil Engineering Land Planning Construction Management 12 BADGER DRIVE SUPERIOR, WI. 54880 (715) 394 7338 FAX (715) 394 7233			
			JOB NAME: BEACON KNOLLS PHASE 3 SUPERIOR, WI.
DESCRIPTION: DETAILS		DATE: 8/25/94	JOB NUMBER
		SHEET	7