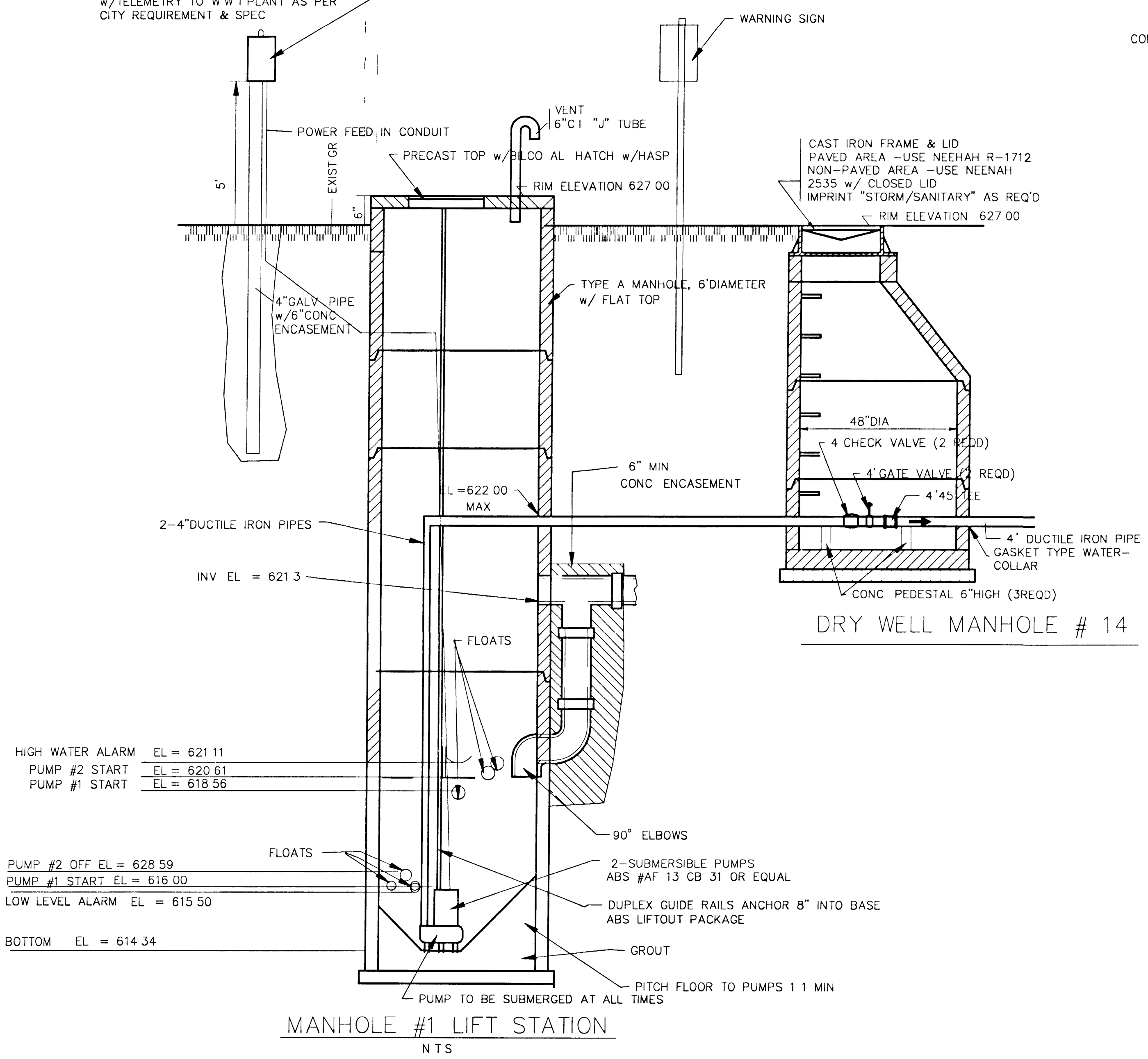


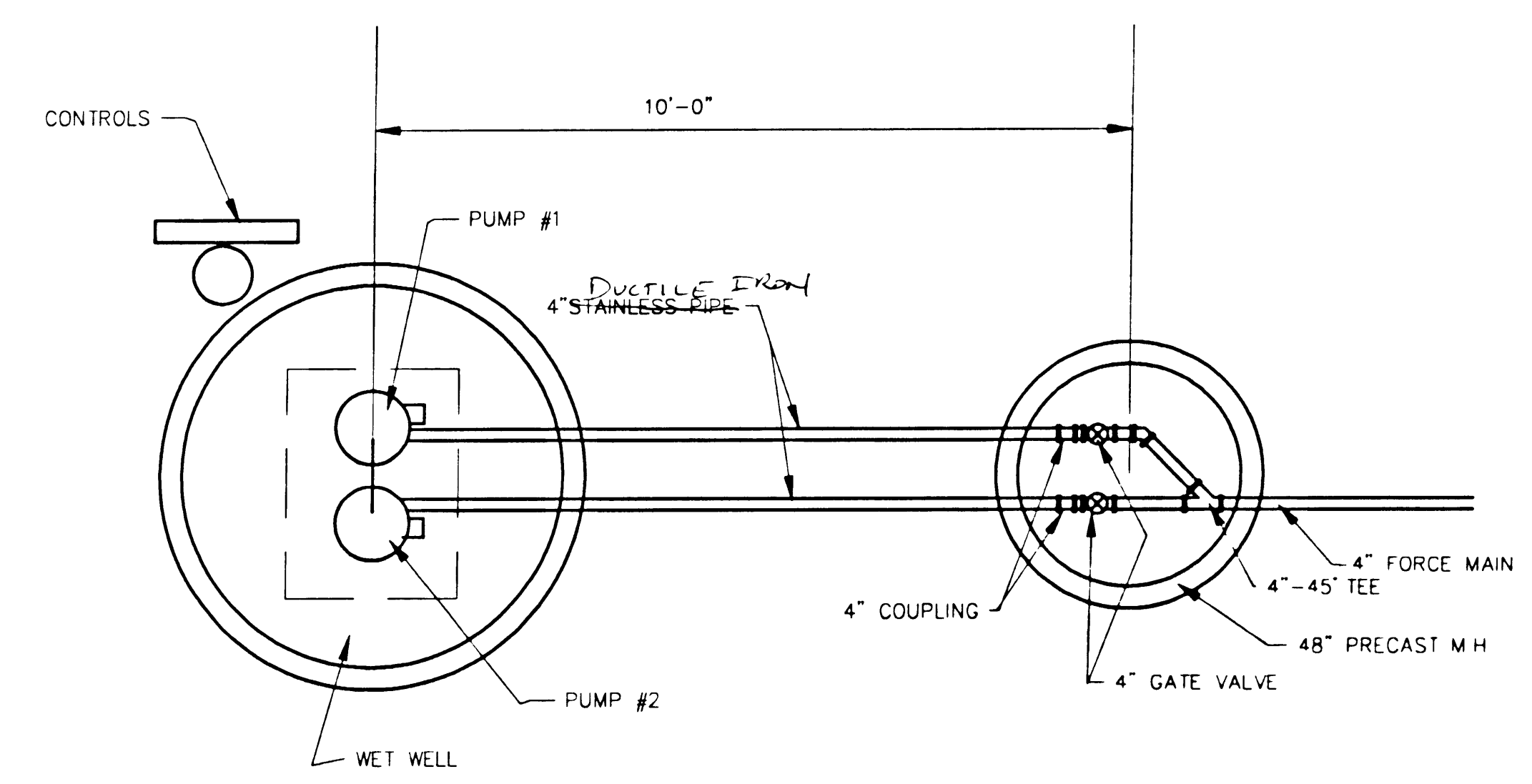
NEMA 4X DUPLEX PANEL w/ALARM LIGHT
 CE DUPLEX ELECTRICAL CONTROL PANEL
 (OUTDOOR USE)
 PER CITY SPEC
 w/TELEMETRY TO WWT PLANT AS PER
 CITY REQUIREMENT & SPEC



HIGH WATER ALARM EL = 621.11
 PUMP #2 START EL = 620.61
 PUMP #1 START EL = 618.56


PUMP #2 OFF EL = 628.59
 PUMP #1 START EL = 616.00
 LOW LEVEL ALARM EL = 615.50
 BOTTOM EL = 614.34

MANHOLE #1 LIFT STATION
 N T S



PLAN VIEW
 N T S

DRY WELL MANHOLE # 14



C.R.I. ENGINEERING
 Civil Engineering
 Land Planning
 Construction Management
 12 BADGER DRIVE SUPERIOR, WI. 54880
 (715) 394 7338

BEACON KNOLL ESTATES
 LIFT STATION

NO.	DATE	DESCRIPTION	BY

AUG.7.1992
SHEET # 9