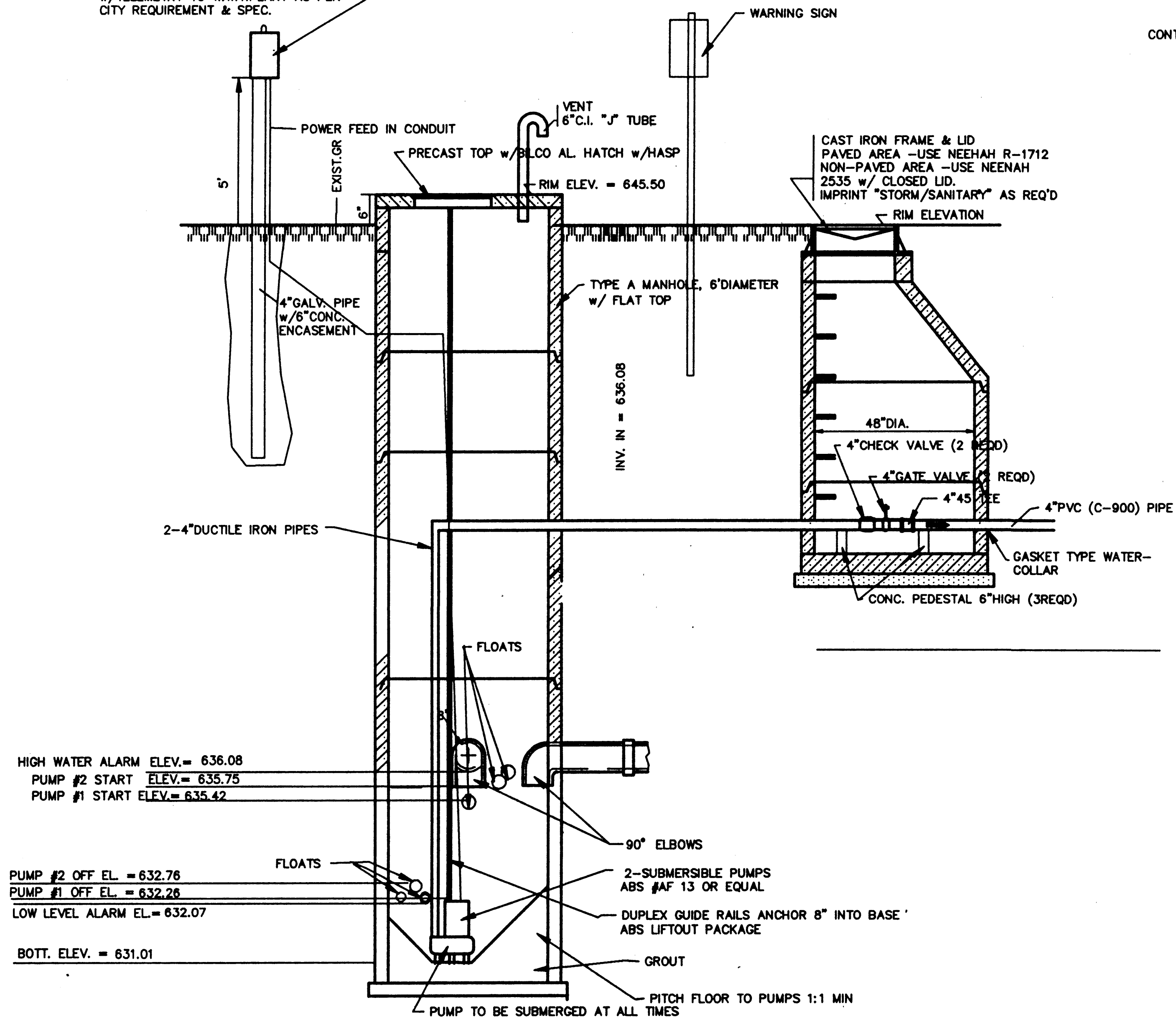


NEMA 4X DUPLEX PANEL w/ALARM LIGHT
 CE DUPLEX ELECTRICAL CONTROL PANEL
 (OUTDOOR USE)
 PER CITY SPEC.
 w/TELEMETRY TO W.W.T.PLANT AS PER
 CITY REQUIREMENT & SPEC.



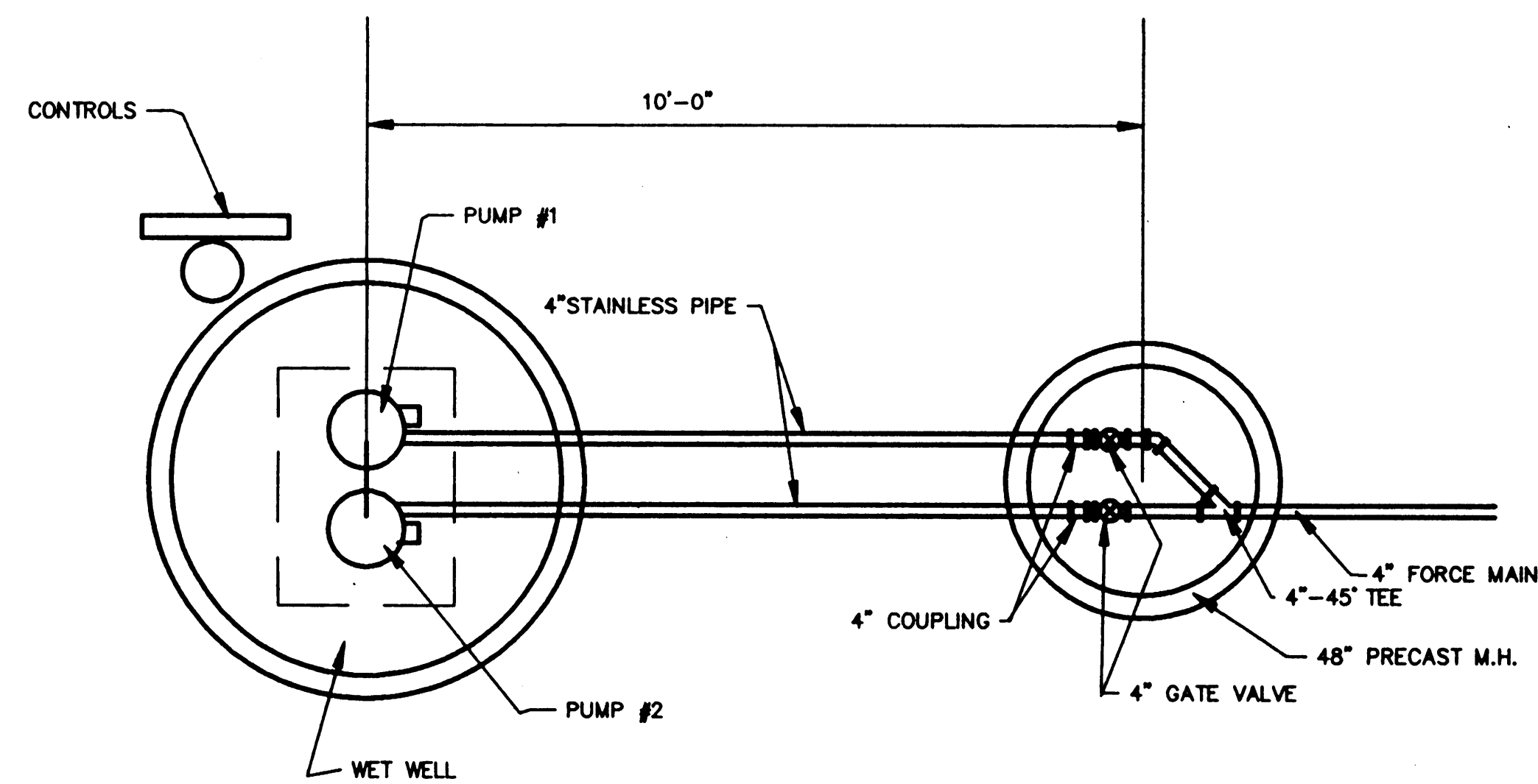
HIGH WATER ALARM ELEV. = 636.08
 PUMP #2 START ELEV. = 635.75
 PUMP #1 START ELEV. = 635.42

PUMP #2 OFF EL. = 632.76
 PUMP #1 OFF EL. = 632.26
 LOW LEVEL ALARM EL. = 632.07

BOTT. ELEV. = 631.01

MANHOLE #3 LIFT STATION

N.T.S.



PLAN VIEW
 N.T.S.

NO.	DATE	DESCRIPTION	BY
1	1-20-93	REV ELEV.	CRI



C.R.I. ENGINEERING

Civil Engineering
 Land Planning
 Construction Management

12 BADGER DRIVE SUPERIOR, WI. 54880
 (715) 394 7338

BILLINGS PARK SAN. SEWER EXT.
 LIFT STATION

MAY 11, 1992

SHEET # 6