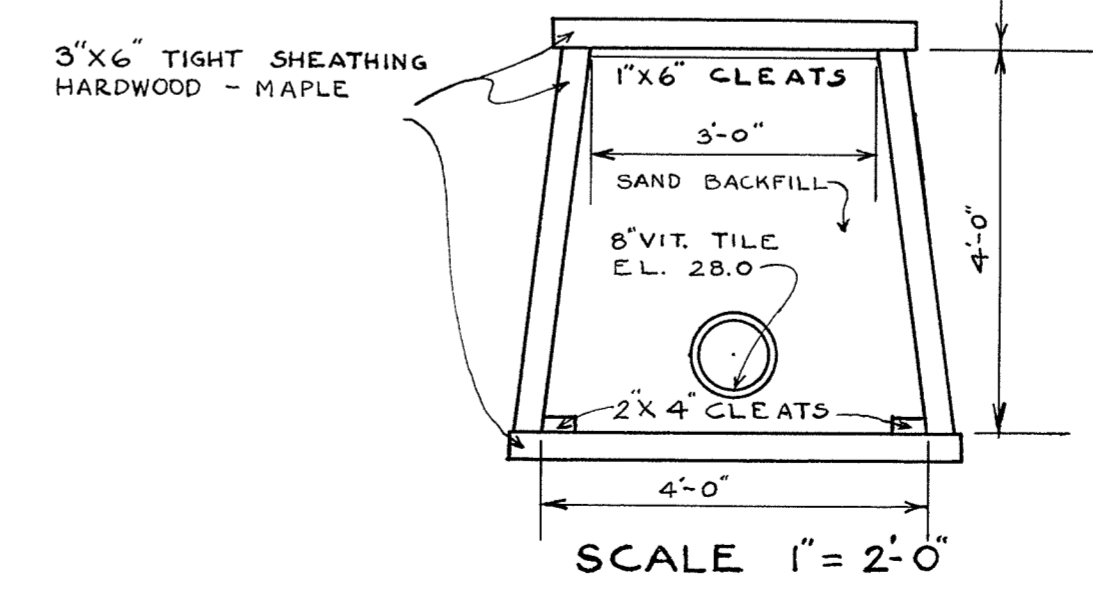


DETAIL OF TUNNEL SECTION
USED FROM STATION 1+42
TO STATION 1+72



CITY OF SUPERIOR
PLAN AND PROFILE OF
SAN. SEWER EXTENSION
WORKS PROGRESS ADM. W.P. NO. 9540
JOB STARTED
JOB COMPLETED
HORIZONTAL SCALE 1" = 60'
VERTICAL SCALE 1" = 4'
SANITARY ENGINEER H. DANN
CITY ENGINEER T. M. BASTERASH

7-21