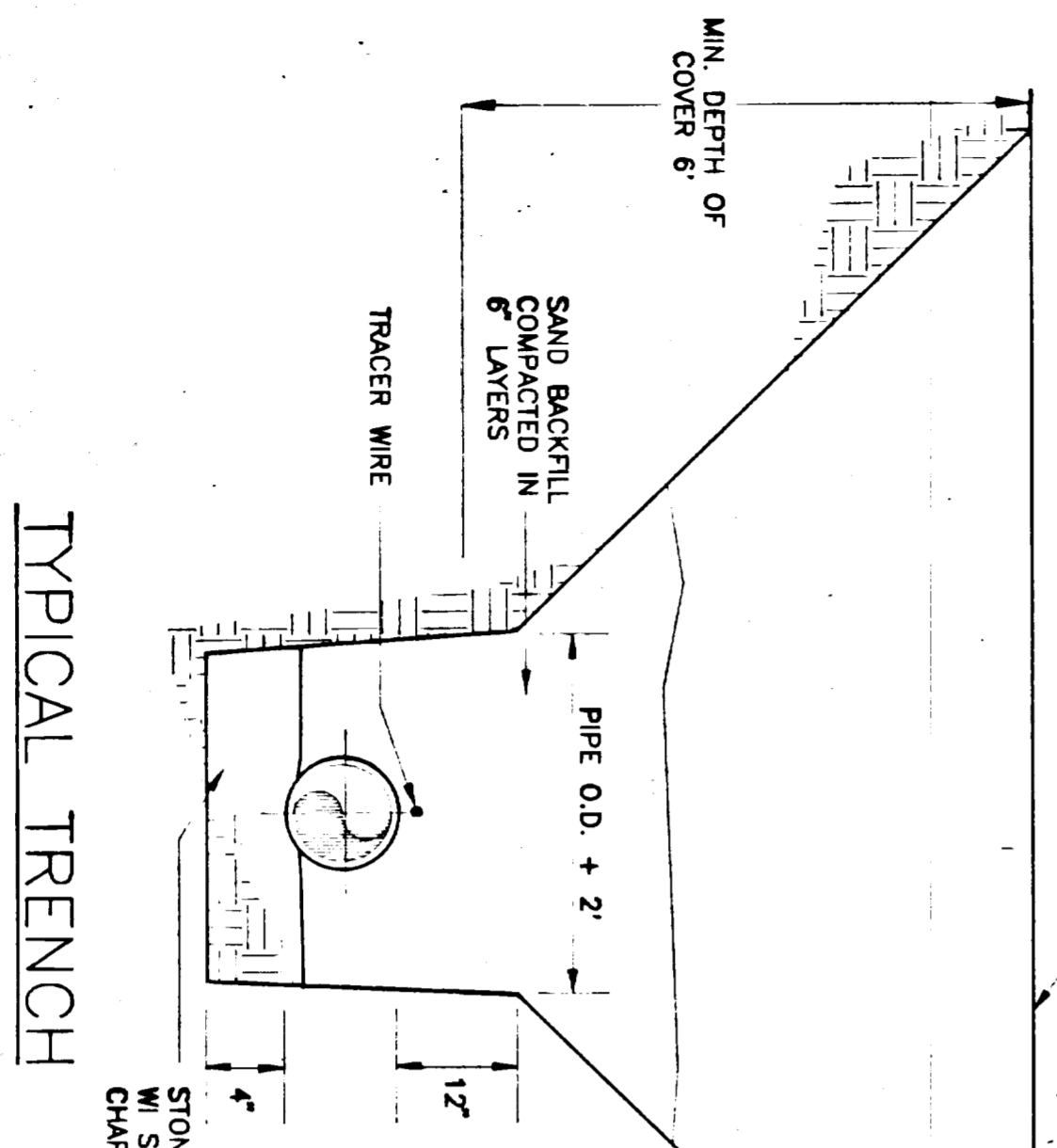


AIR RELEASE VALVE & MANHOLE



TYPICAL TRENCH

NO SCALE

STONE BEDDING, SEE W. S&W STD. SPEC. CHAPTER 6.43.0, TABLE 32

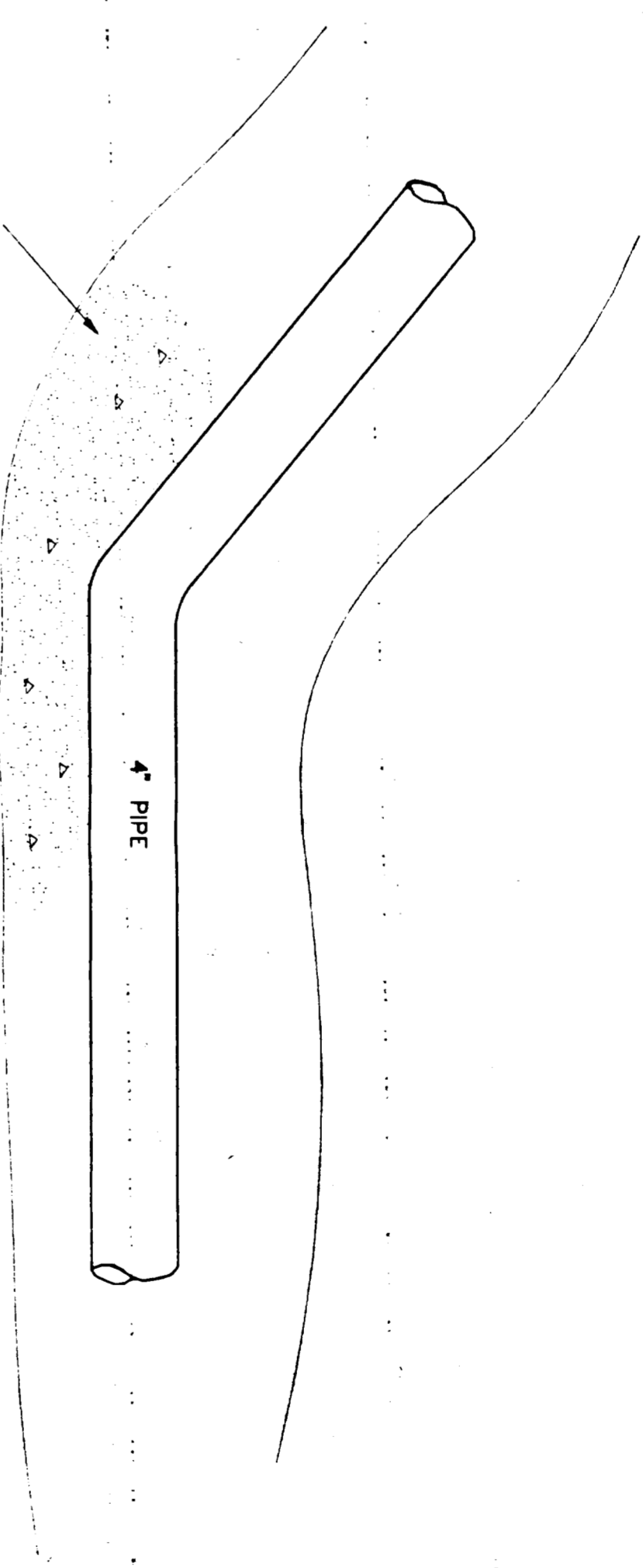
BACKFILL SHALL BE EXCAVATED MATERIAL COMPACTED IN 18\"/>

GRAVULAR BACKFILL UNDER ROADWAY OR SIDEWALK TO 85% OF MAXIMUM DENSITY.

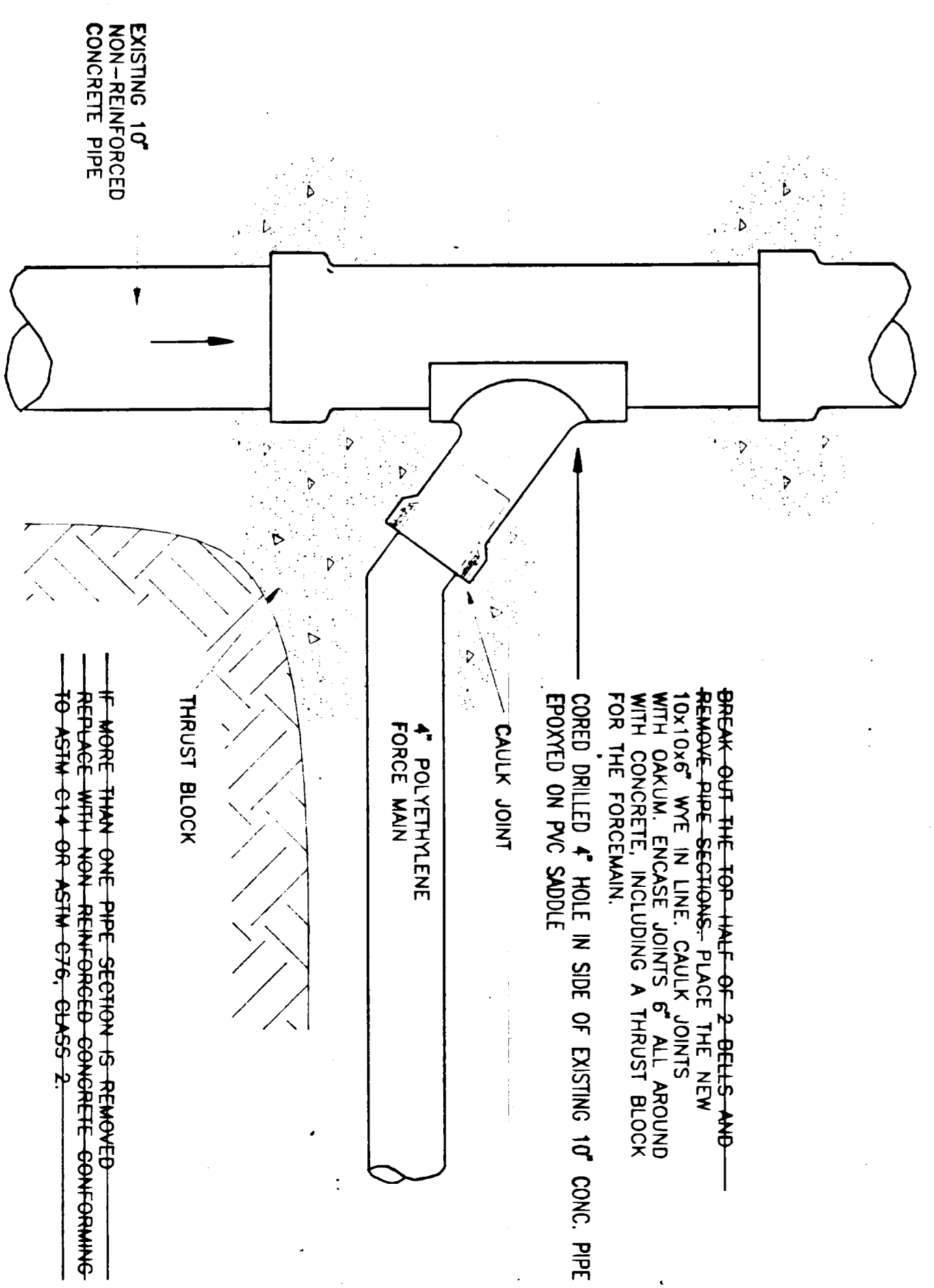
REFER TO W. S&W STANDARD SPECIFICATIONS

CONCRETE THRUST BLOCK AT ALL BENDS OF 22 1/2\"/>

TYPICAL THRUST BLOCKING



CONNECTION TO EXISTING SANITARY SEWER



BREAK OUT THE TOP HALF OF 2 BARS AND REMOVE PIPE SECTIONS. PLACE THE NEW 10x10x6\"/>

IF MORE THAN ONE PIPE SECTION IS REMOVED, REPLACE WITH NON-REINFORCED CONCRETE FORMING TO ASTM C14 OR ASTM C76 - GRADES 2

RECORD DRAWING