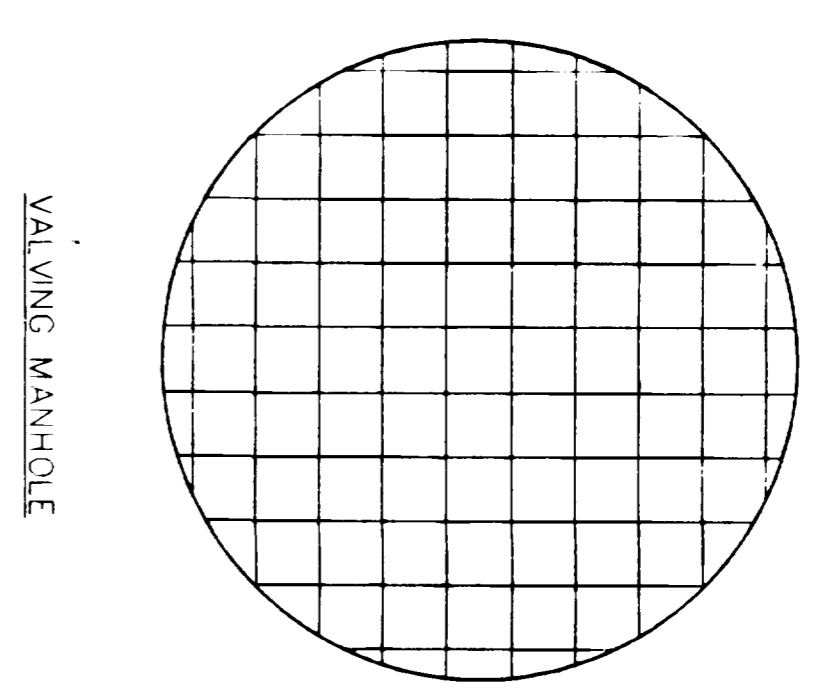
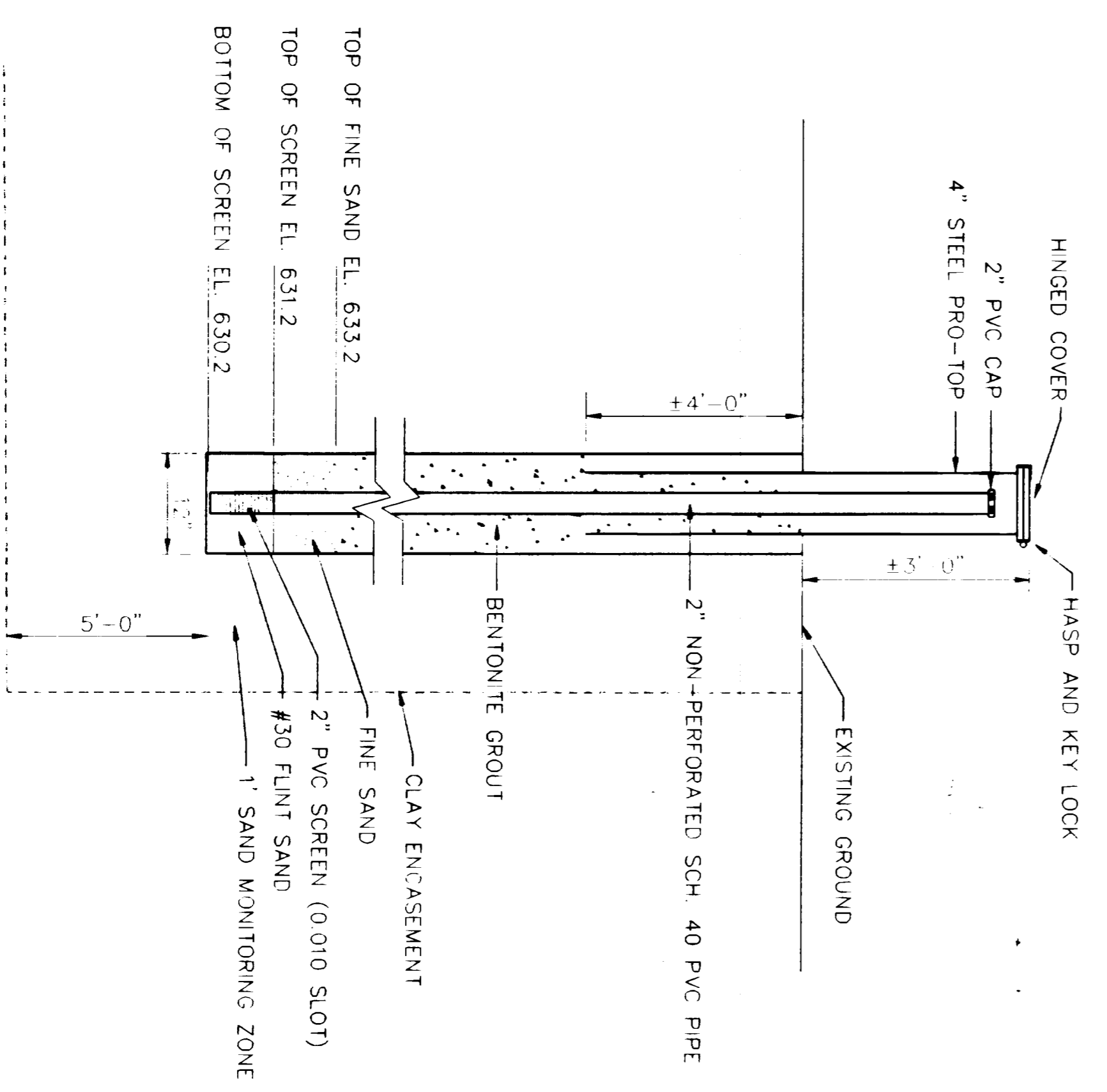
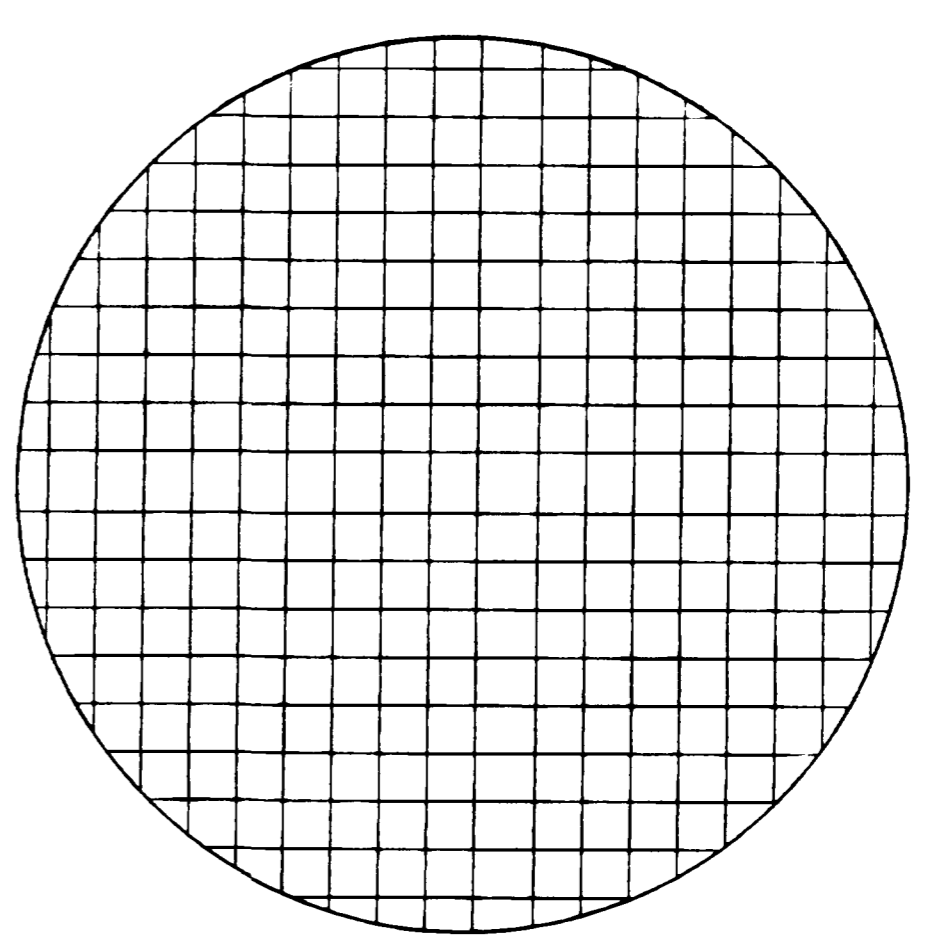


DRAWN BY: GEE	DATE: 5/94	DESIGNER: ELL	DATE: 5/94	CHECKED BY: GPB	DATE: 5/1/94	NO.	BY	DATE	REVISIONS	DESIGN	CHECKED	DATE	FILE NO.	DATE
													5	05/05/94

**1 SAND MONITORING ZONE WELL DETAIL**  
 N.T.S.



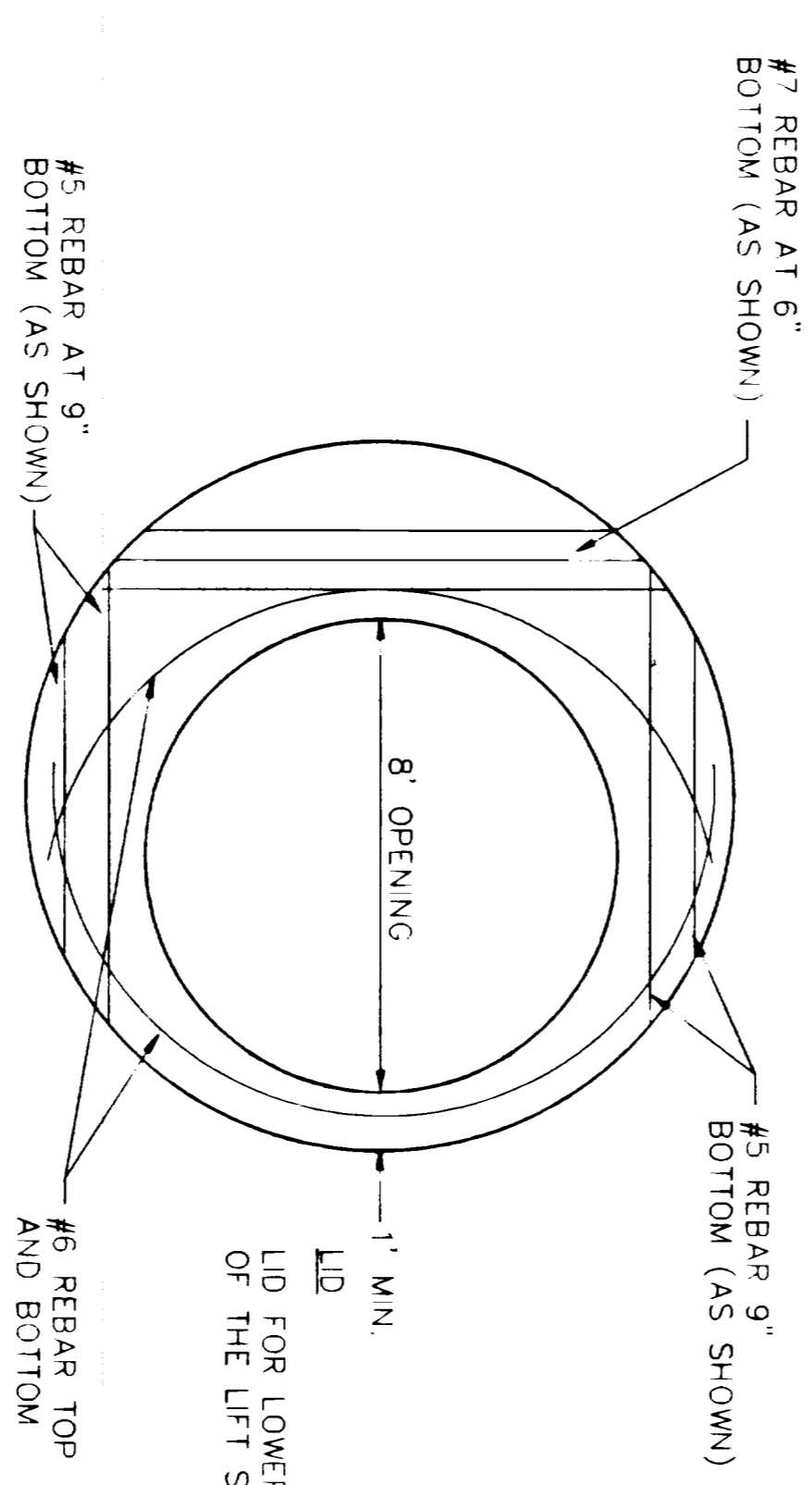
VALVING MANHOLE



LIFT STATION MANHOLE

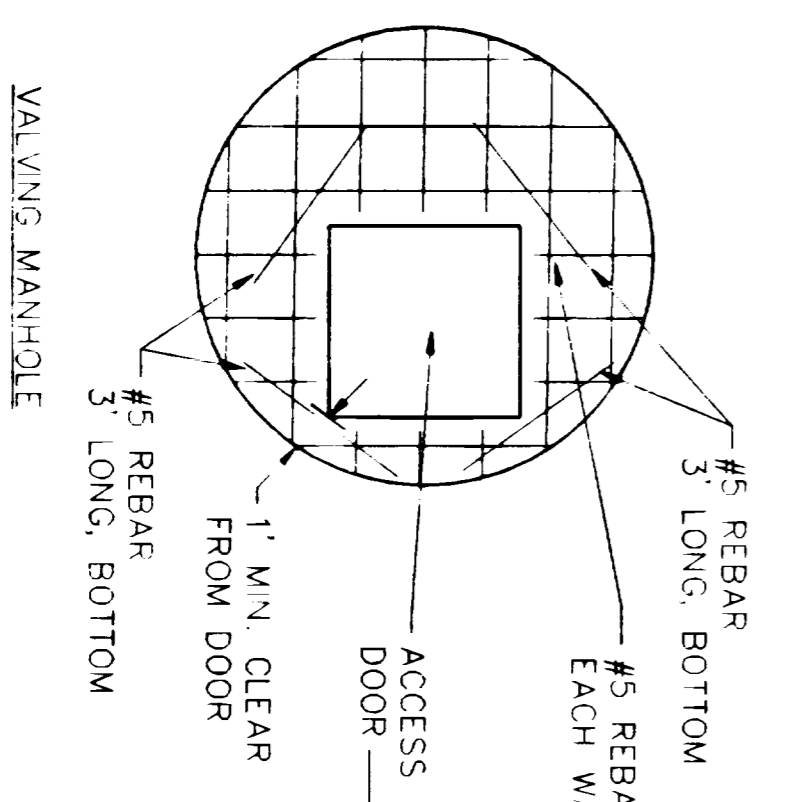
**2 BASE SLABS - REBAR DETAIL**  
 N.T.S.

	DIAMETER	THICKNESS	REINFORCING BAR
BASE SLABS	10'-0"	12"	#5 AT 12" EACH WAY, CENTER OF SLAB
VALVING MANHOLE	14'-0"	18"	#7 AT 9" EACH WAY, CENTER OF SLAB
LIFT STATION	14'-0"	18"	#7 AT 9" EACH WAY, CENTER OF SLAB

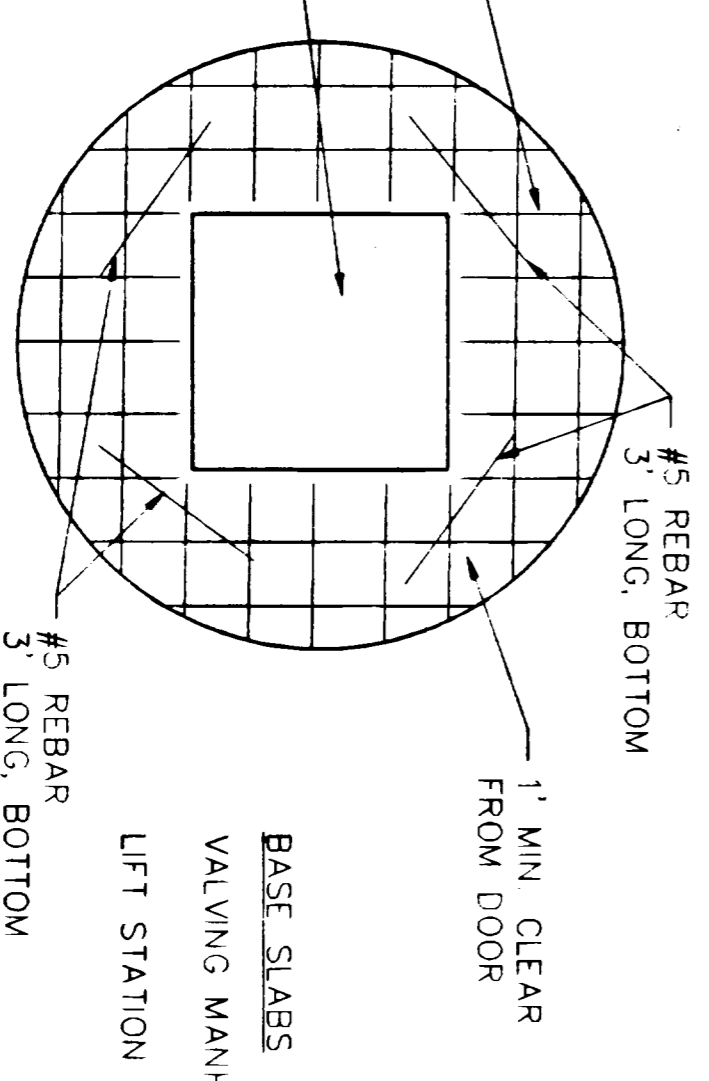


**3 LID FOR LOWER SECTION OF THE LIFT STATION - REBAR DETAIL**  
 N.T.S.

	DIAMETER	THICKNESS	REINFORCING BAR
LID FOR LOWER SECTION OF THE LIFT STATION	12'-0"	18"	AS SHOWN, TOP = 2" FROM TOP OF SLAB, BOTTOM = 2" FROM BOTTOM OF SLAB



VALVING MANHOLE



LIFT STATION MANHOLE

**4 COVERS - REBAR DETAIL**  
 N.T.S.

	DIAMETER	THICKNESS	REINFORCING BAR
BASE SLABS	7'-2"	12"	AS SHOWN
VALVING MANHOLE	9'-6"	12"	AS SHOWN, BOTTOM = 2" FROM BOTTOM OF SLAB

MOCCASIN MIKE LANDFILL  
 LIFT STATION AND LEACHATE COLLECTION SYSTEM UPGRADE  
 LEACHATE COLLECTION SYSTEM DETAILS