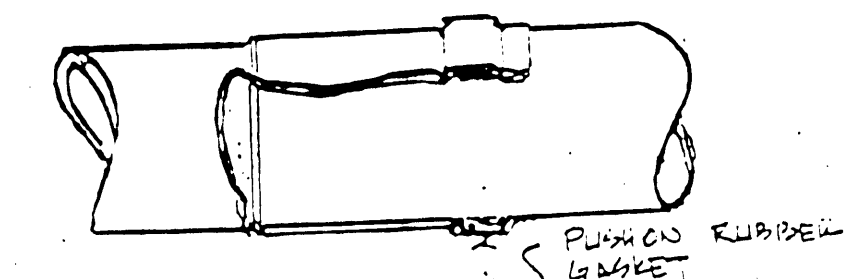
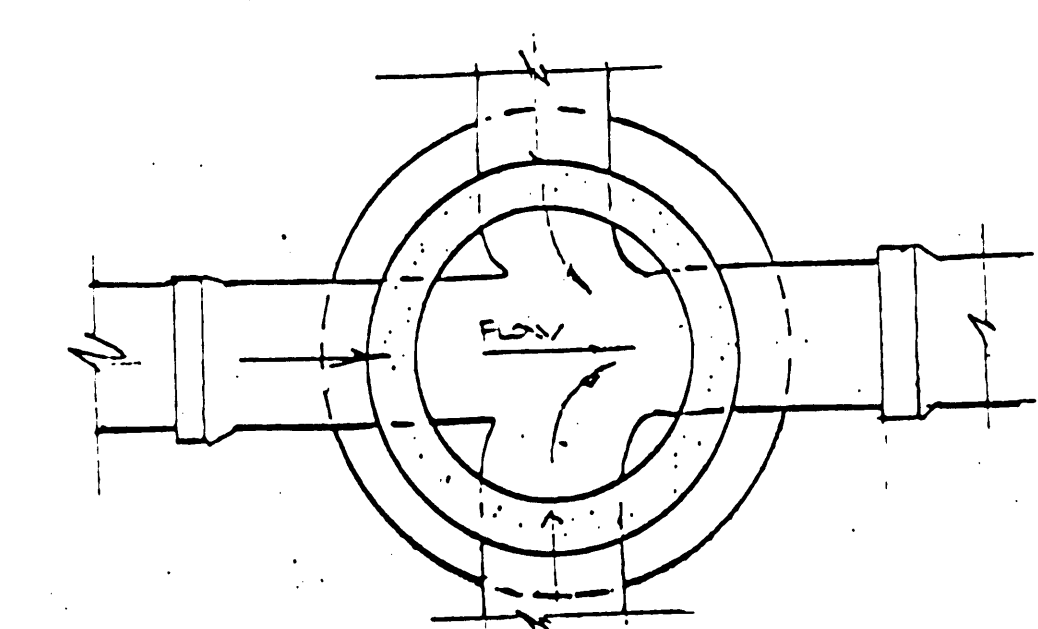
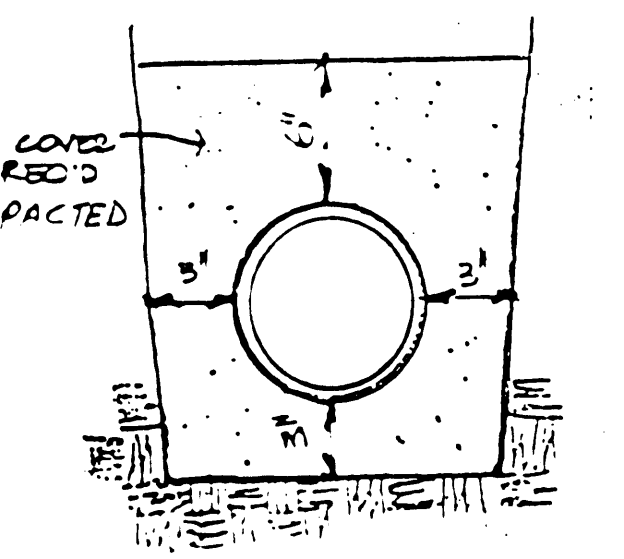


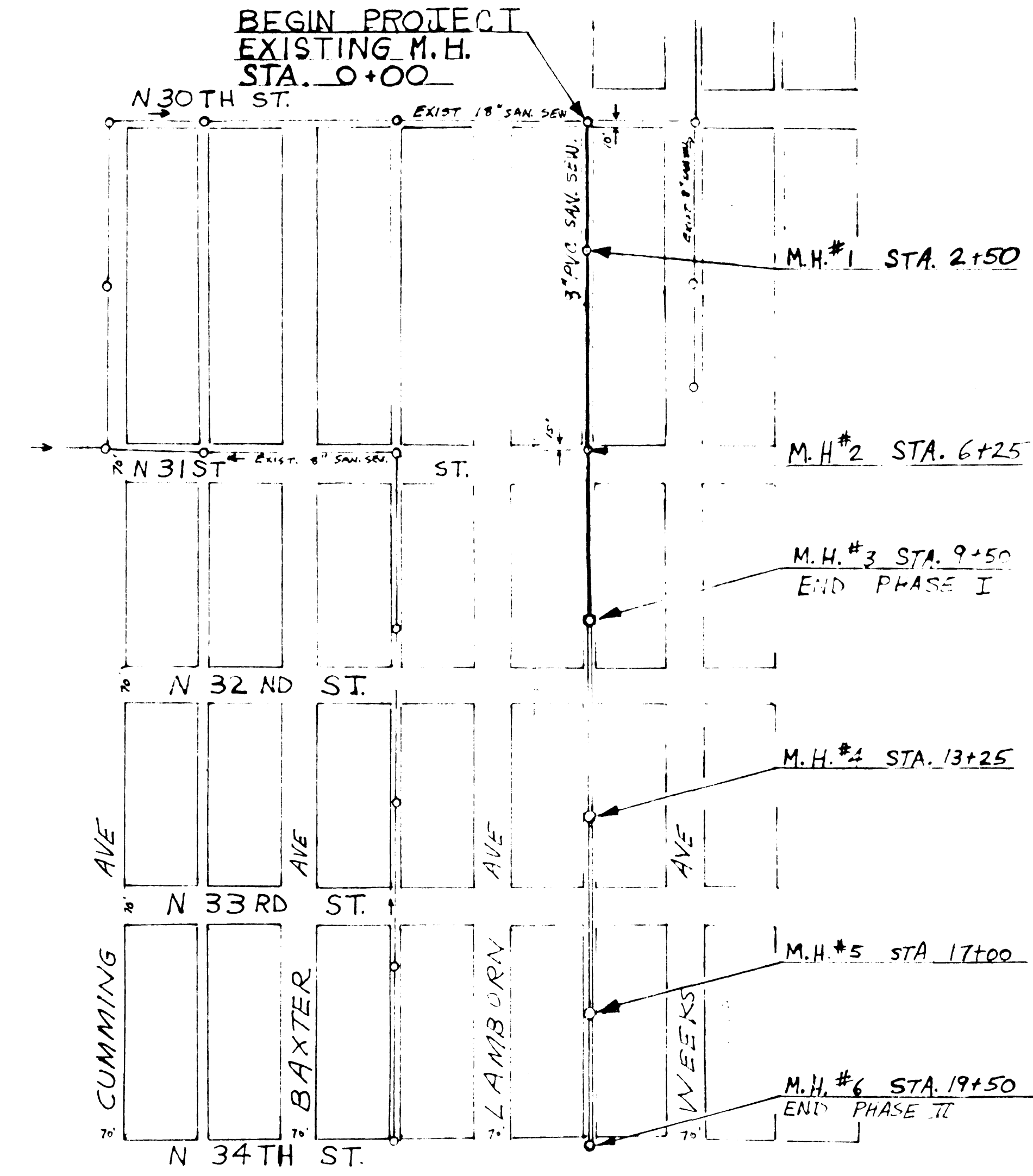
TYPICAL MANHOLE SECTION - SEE PLAN & PROFILE SHEETS FOR DETAILS AND ELEVATIONS



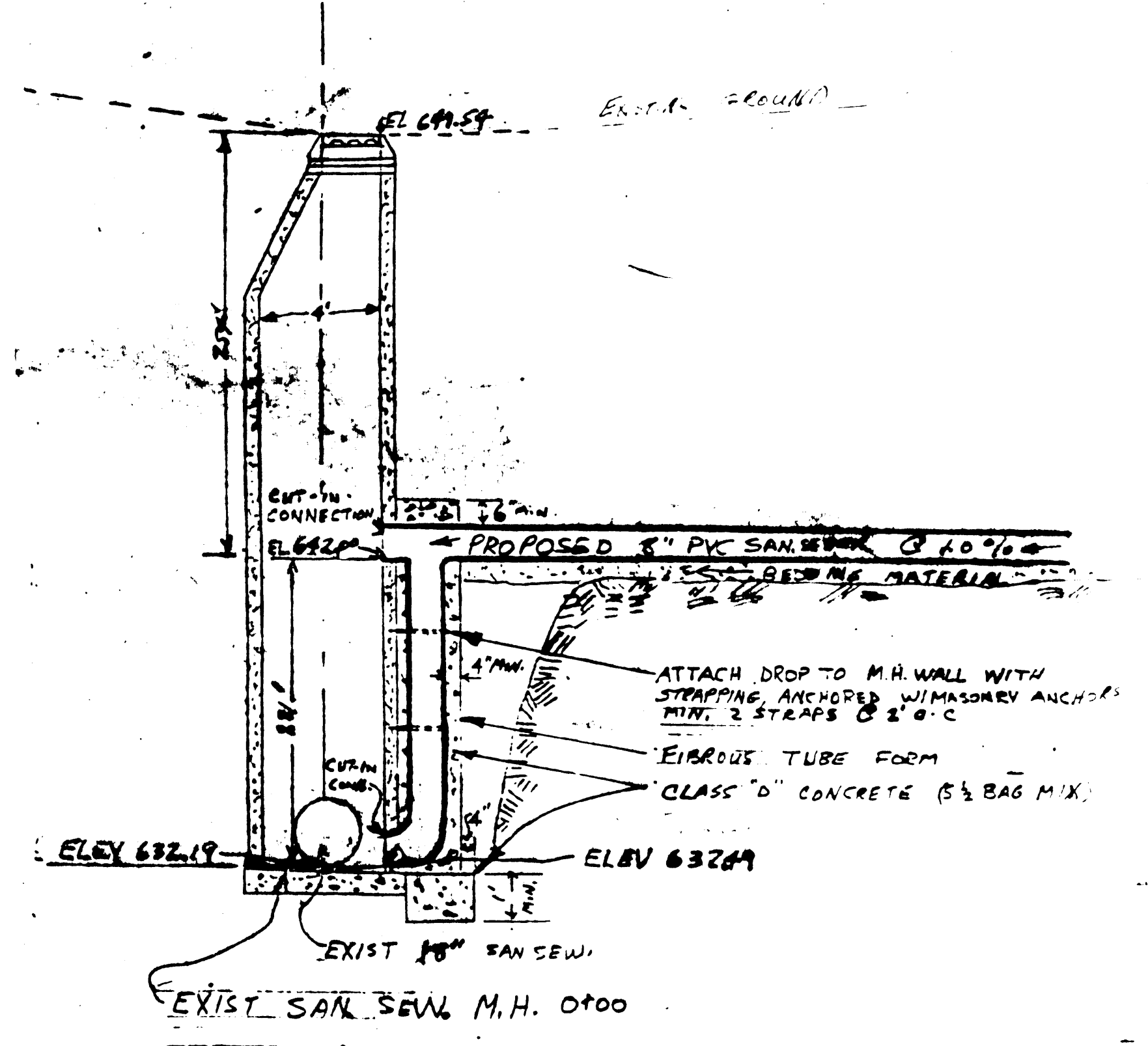
CON DETAIL
PIPE JOINT SHALL MEET THE
REQ. LEMBO EX FOR SEWER D.O.



CITY OF SUPERIOR PRIVATE INTERCEPTOR SANITARY SEWER EXTENSION N 31ST - N 34TH ST. & LAMBORN



LOCATION PLAN
SCALE 1" = 200'



CONSTRUCTION NOTES:

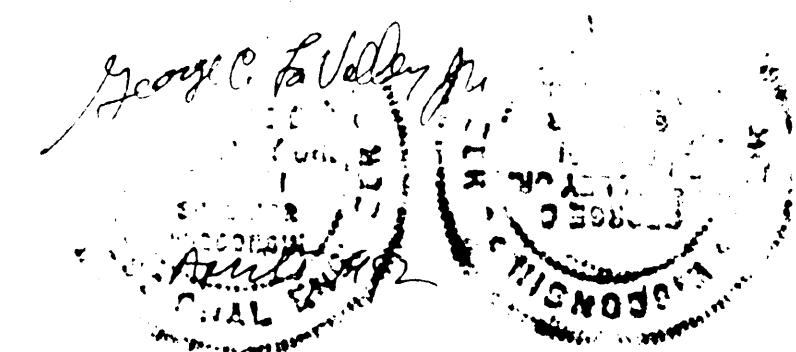
Utilities shown on these plans are approximate locations only. Contractor is responsible for all utility locations. CONTACT Superior Water Light and Power Company for all water, gas, and electric utility locations.

CONTACT Wisconsin Bell Telephone for all underground telephone cables.

CONTACT Group V Cable T.V. for all cable T.V. lines.

Contractor is responsible for coordination with all utility companies for all relocations, etc. for all underground or overhead utilities. Contractor is responsible for the cost of utility relocations unless specifically excluded elsewhere in the specifications. Contractor is responsible for all pavement crossings. Pavement shall be neatly sawcut. Subgrade and pavement shall be restored to the original condition.

Contractor shall coordinate with the City of Superior Public Works Department for location of City owned storm and sanitary sewers or other facilities. Contractor shall coordinate with the City Plumbing Inspector for construction of sanitary sewers.



CITY OF SUPERIOR
SANITARY SEWER EXTENSION
PLUMBING

Conditionally
APPROVED

DEPARTMENT OF INDUSTRY, LABOR AND HUMAN RELATIONS
DIVISION OF SAFETY AND BUILDINGS

Kenneth J. [Signature]
SEE 201-1182-111

69220060

