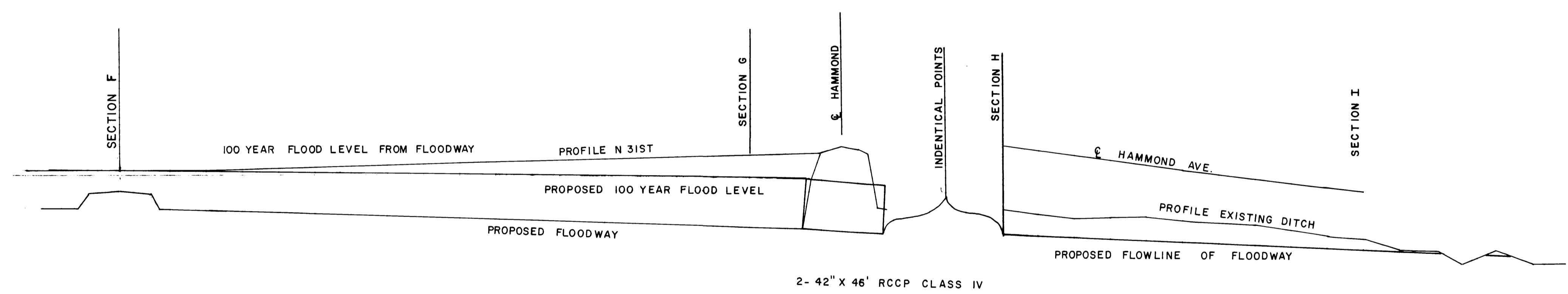


SCALE 1" = 40'

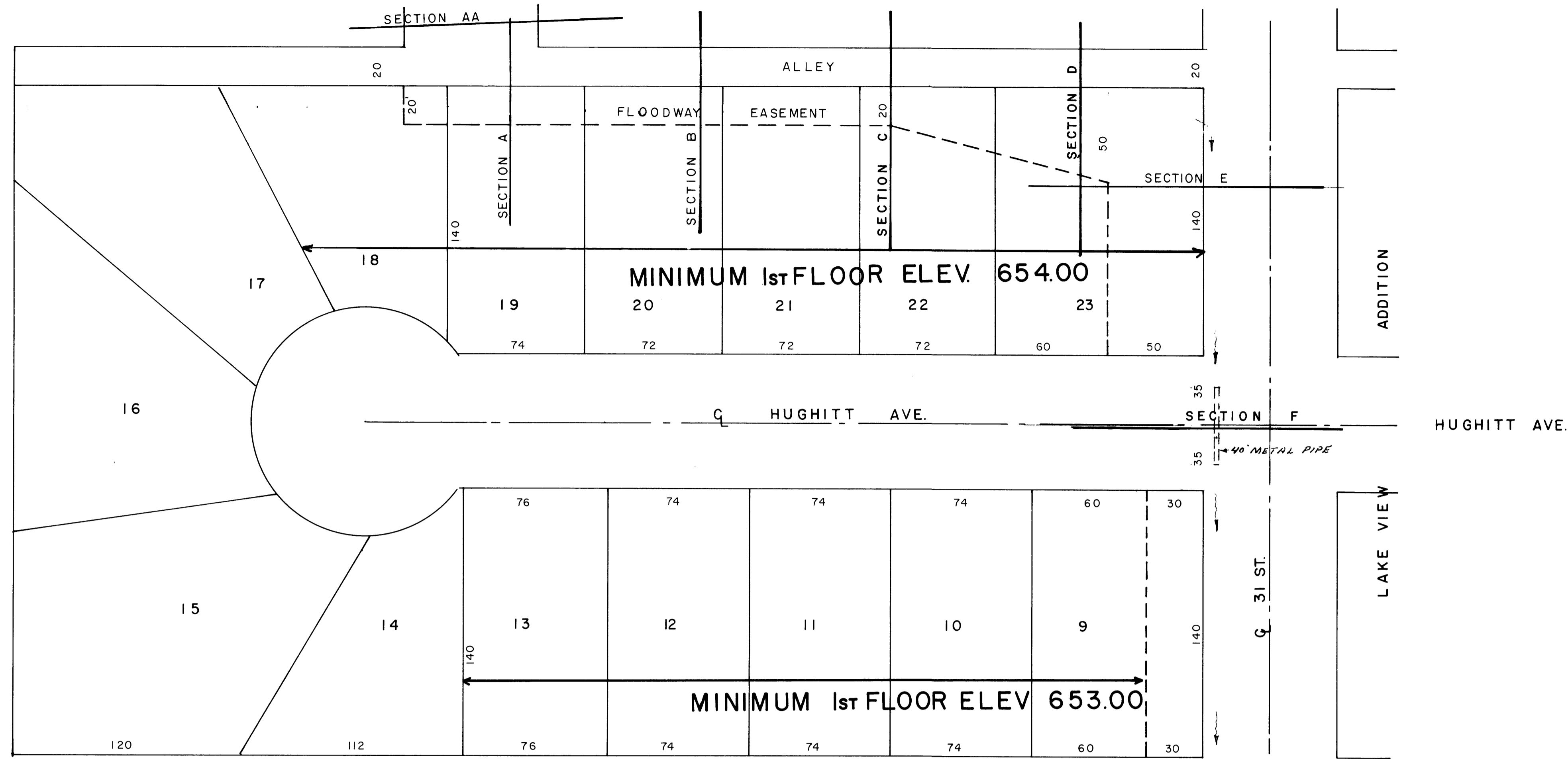
CITY OF SUPERIOR ENGINEERING DEPARTMENT		
AS BUILT		
B. C. HAGEN	MAYOR	
C. R. INGLIMO	PUB. WKS. DIR.	
C. D. ZOPIA	CITY ENGINEER	
DES. SPEICH	APRD.	FILE NO.
DRN. SPEICH		
DATE: 5 JULY 78	SCALE: $\frac{HORIZ.}{VERT.} = \frac{40'}{5'}$	



SCALE: HORZ 1" = 40'
VERT 1" = 5'

SPEICH ENGINEERING
1808 TOWER AVE
SUPERIOR, WISC.

SCALE: 1" = 40'

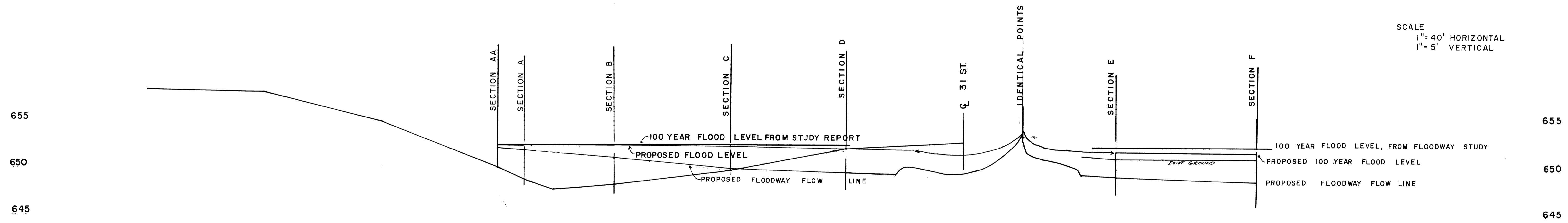


646.0 - AS BUILT ELEVATIONS
JUNE 1978 L.P.

CITY OF SUPERIOR ENGINEERING DEPARTMENT		
AS BUILT		
B. C. HAGEN	MAYOR	
C. R. INGLIMO	PUB. WKS. DIR.	
C. D. ZOPPA	CITY ENGINEER	
DES. SPEICH	APRD.	FILE NO.
DRN. SPEICH		
DATE 5 JULY 78	SCALE	

PLAN
SCALE: 1" = 40'

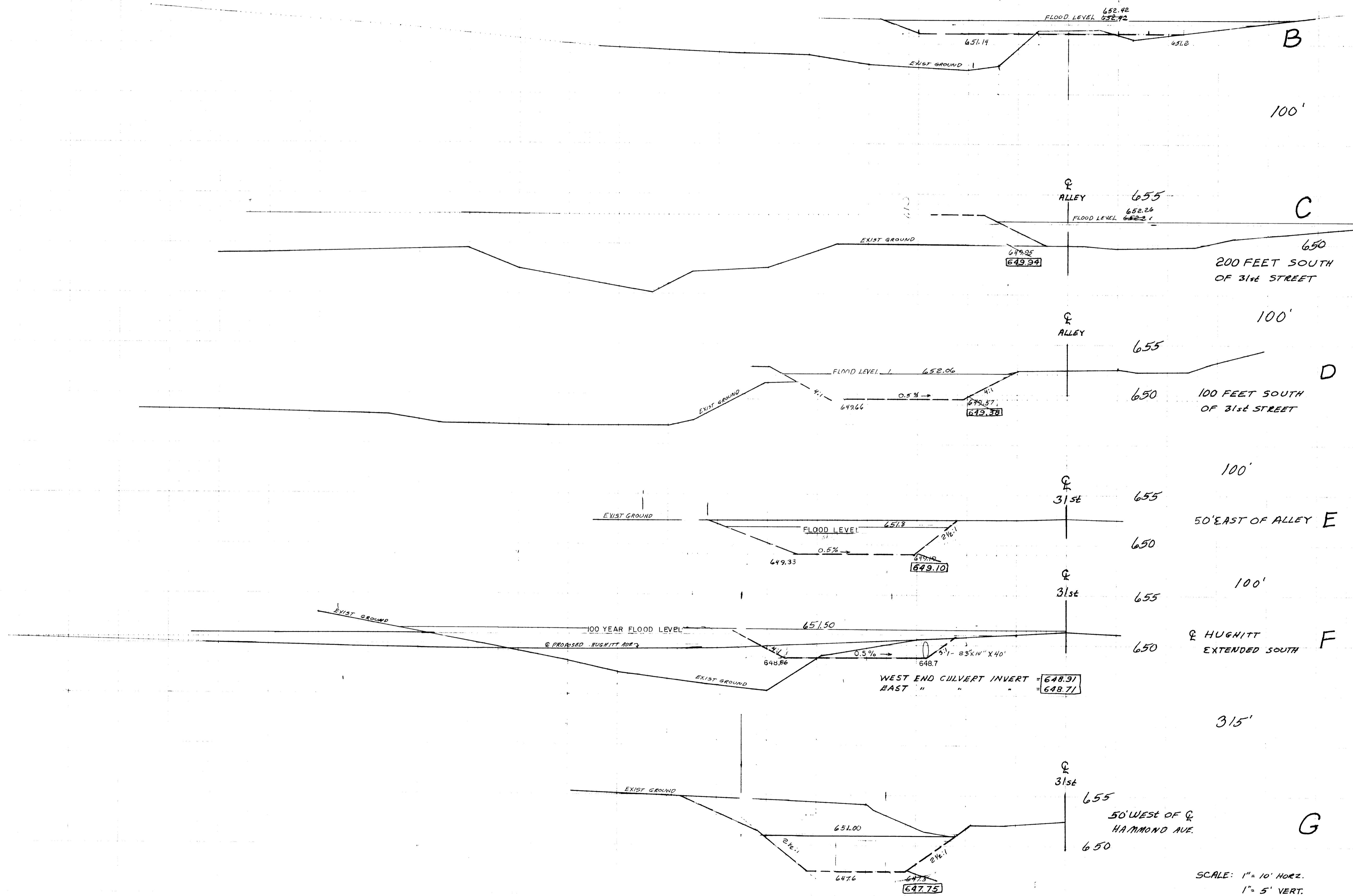
SCALE
1" = 40' HORIZONTAL
1" = 5' VERTICAL



SPEICH ENGINEERING
1808 TOWER
SUPERIOR, WISC.

FIELD SURVEY
 DATE: 11/13/11
 BY: [illegible]

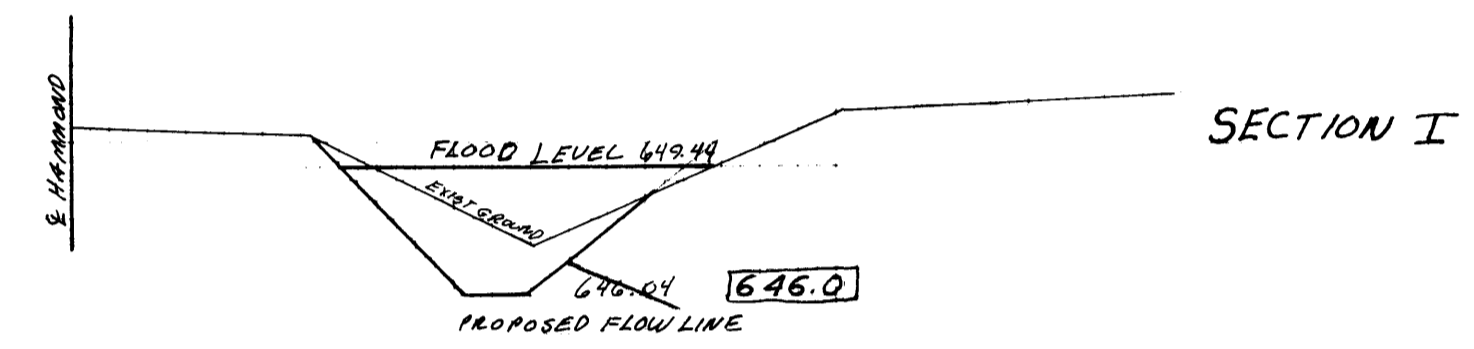
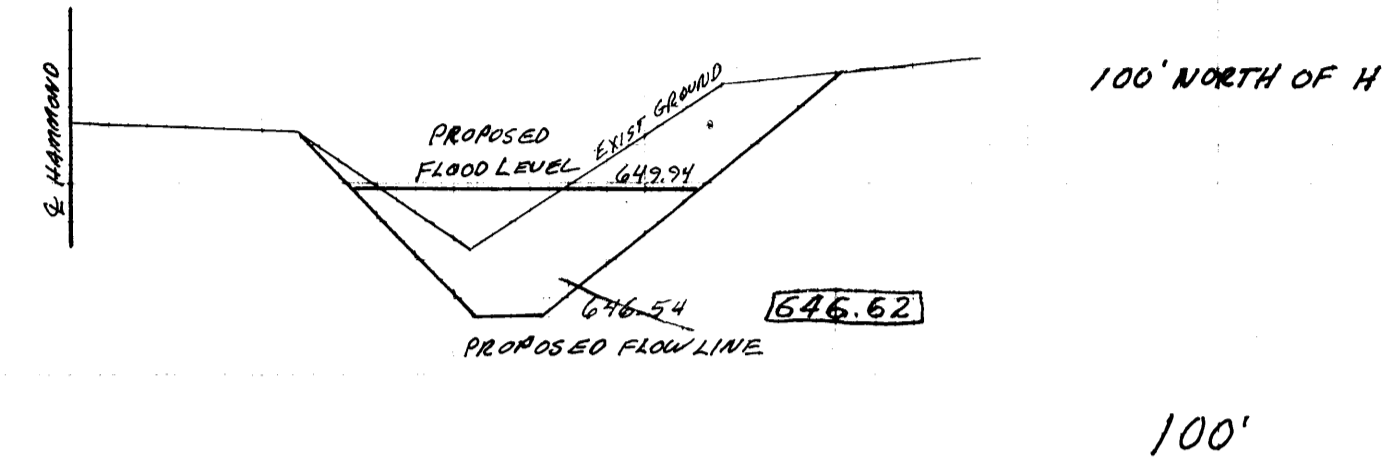
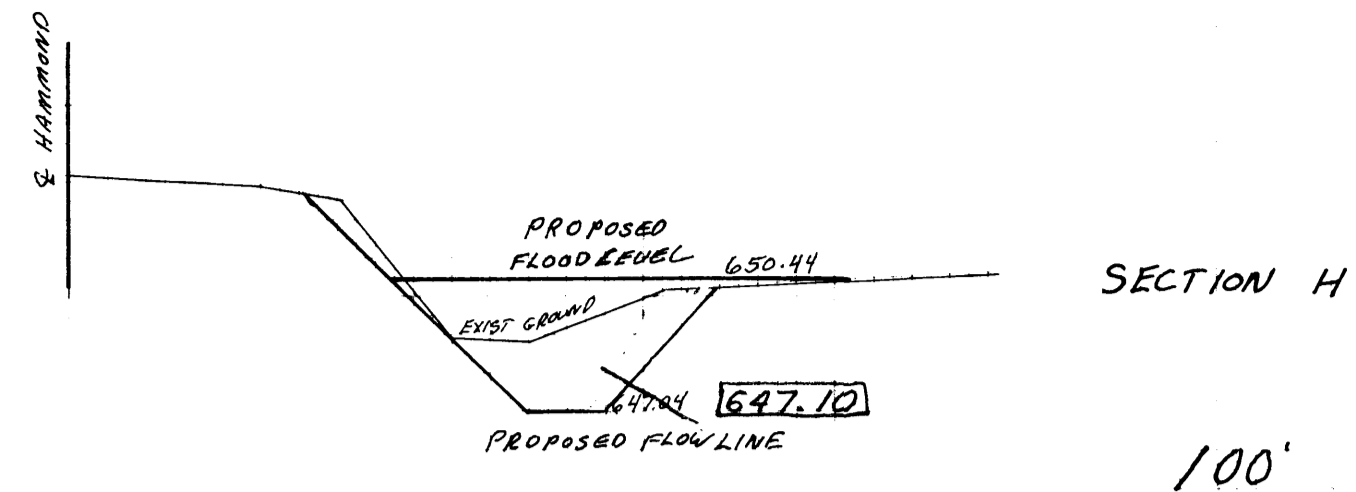
DESIGN SURVEY
 DATE: 11/13/11
 BY: [illegible]



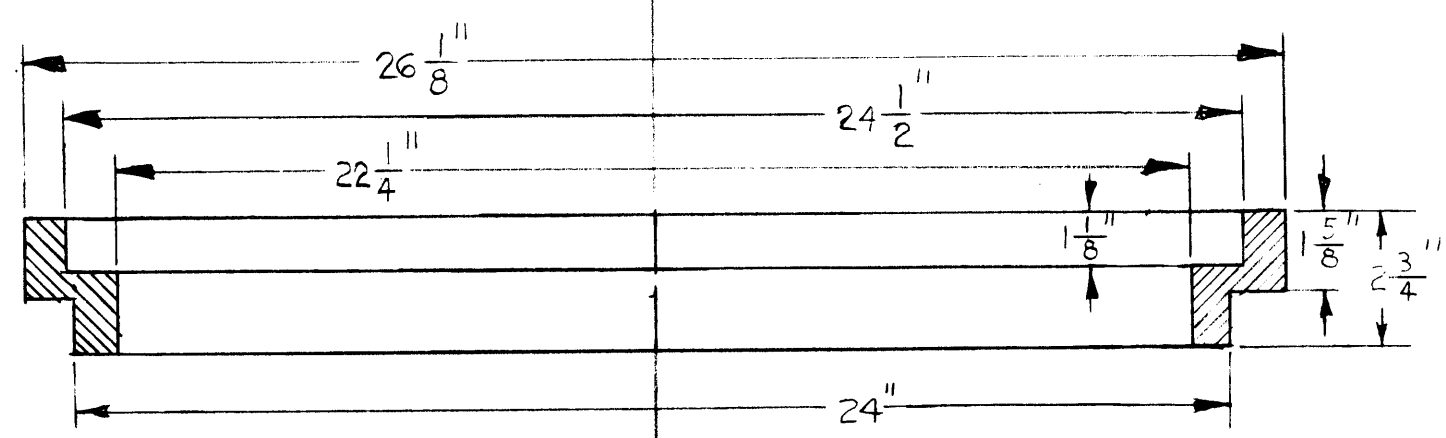
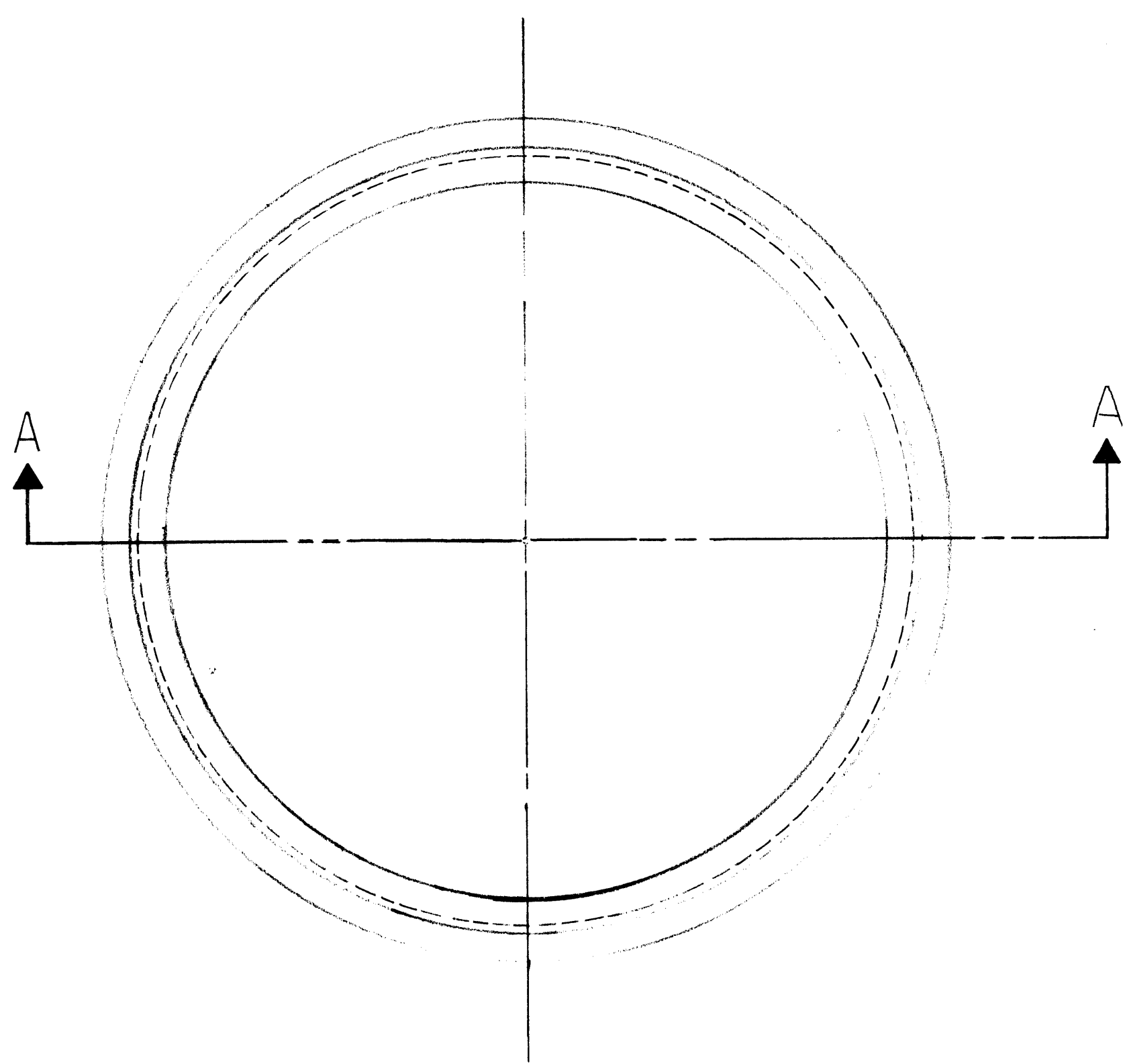
SCALE: 1" = 10' HORIZ.
 1" = 5' VERT.

PLAN
SURVEY
WEST 1/4
SECTION 10
T. 10 N.
R. 10 W.

PLAN
SURVEY
WEST 1/4
SECTION 10
T. 10 N.
R. 10 W.

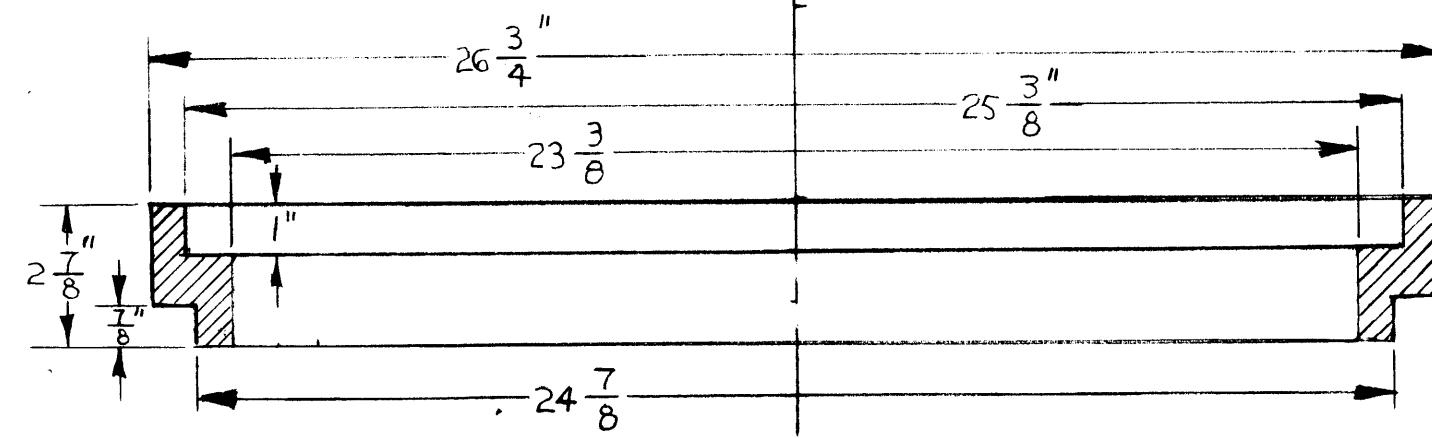
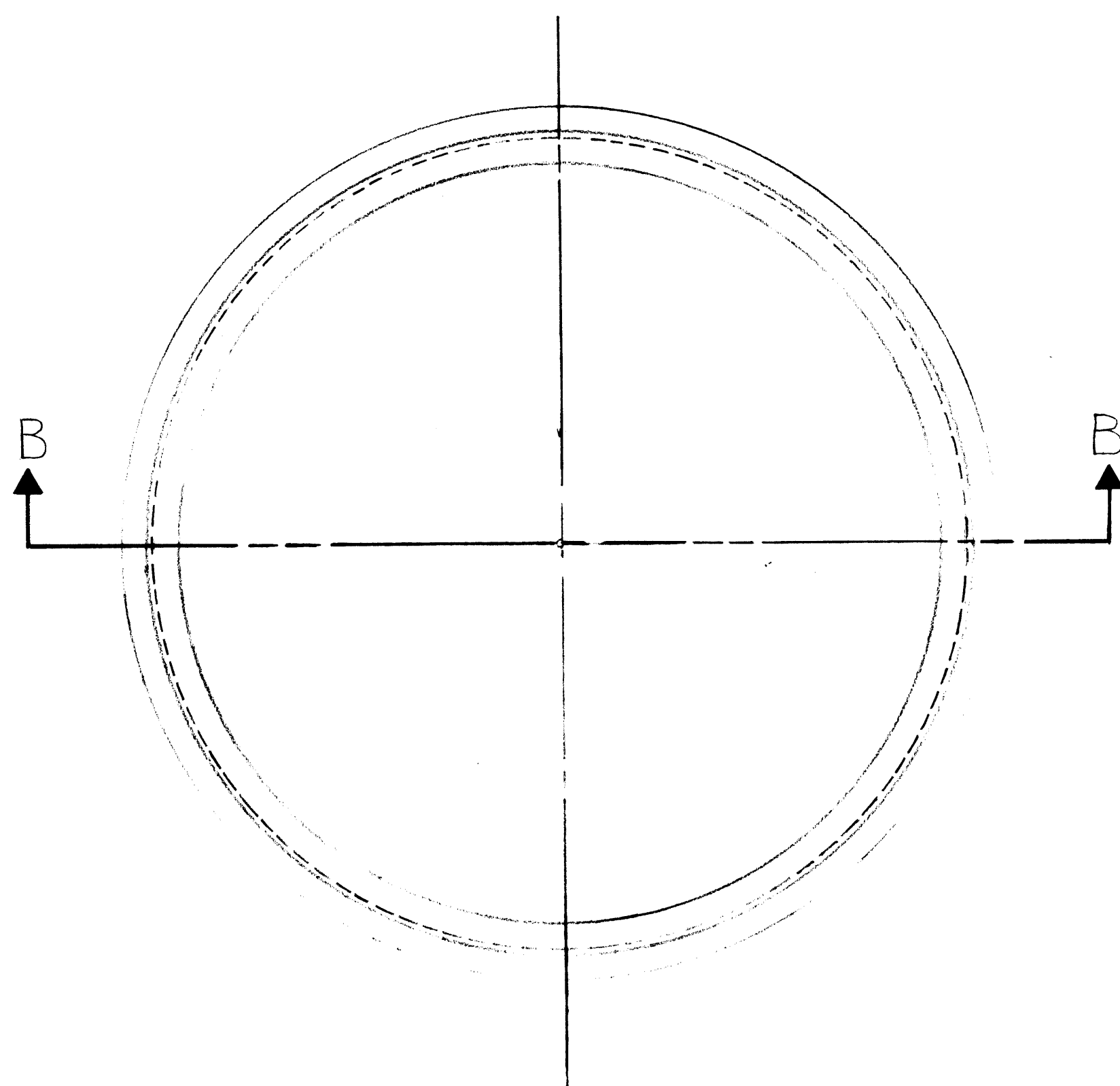


NOTE: KEEP PATTERN
FOR FUTURE ORDERS
SCALE 1" = 4'



SECTION AA
MANHOLE ADJUSTING RINGS

NOTE: KEEP PATTERN
FOR FUTURE ORDERS
SCALE 1" = 4'



SECTION BB
MANHOLE ADJUSTING RINGS