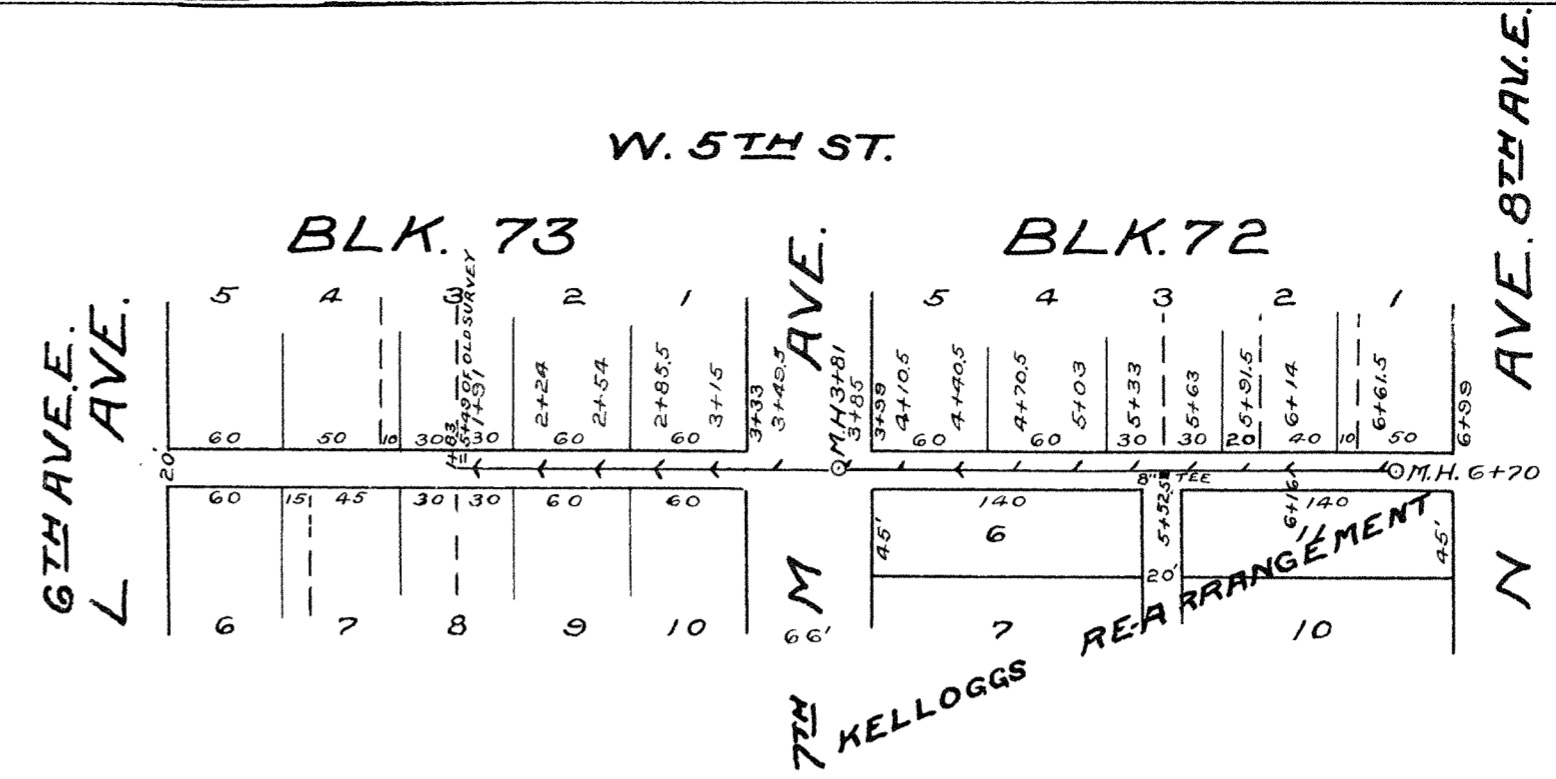
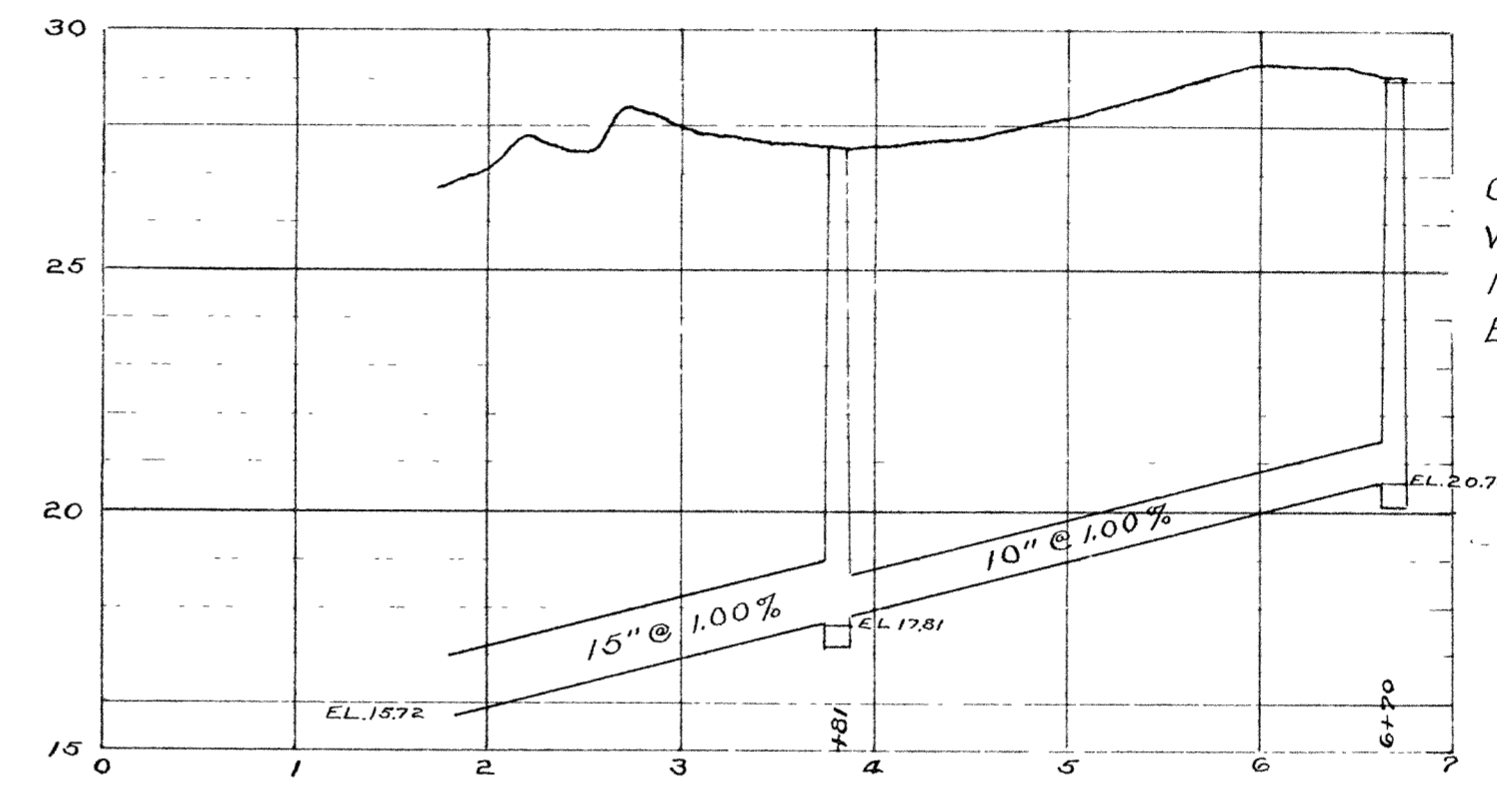


Feb. 1938
T.M. Basterash - City Engineer



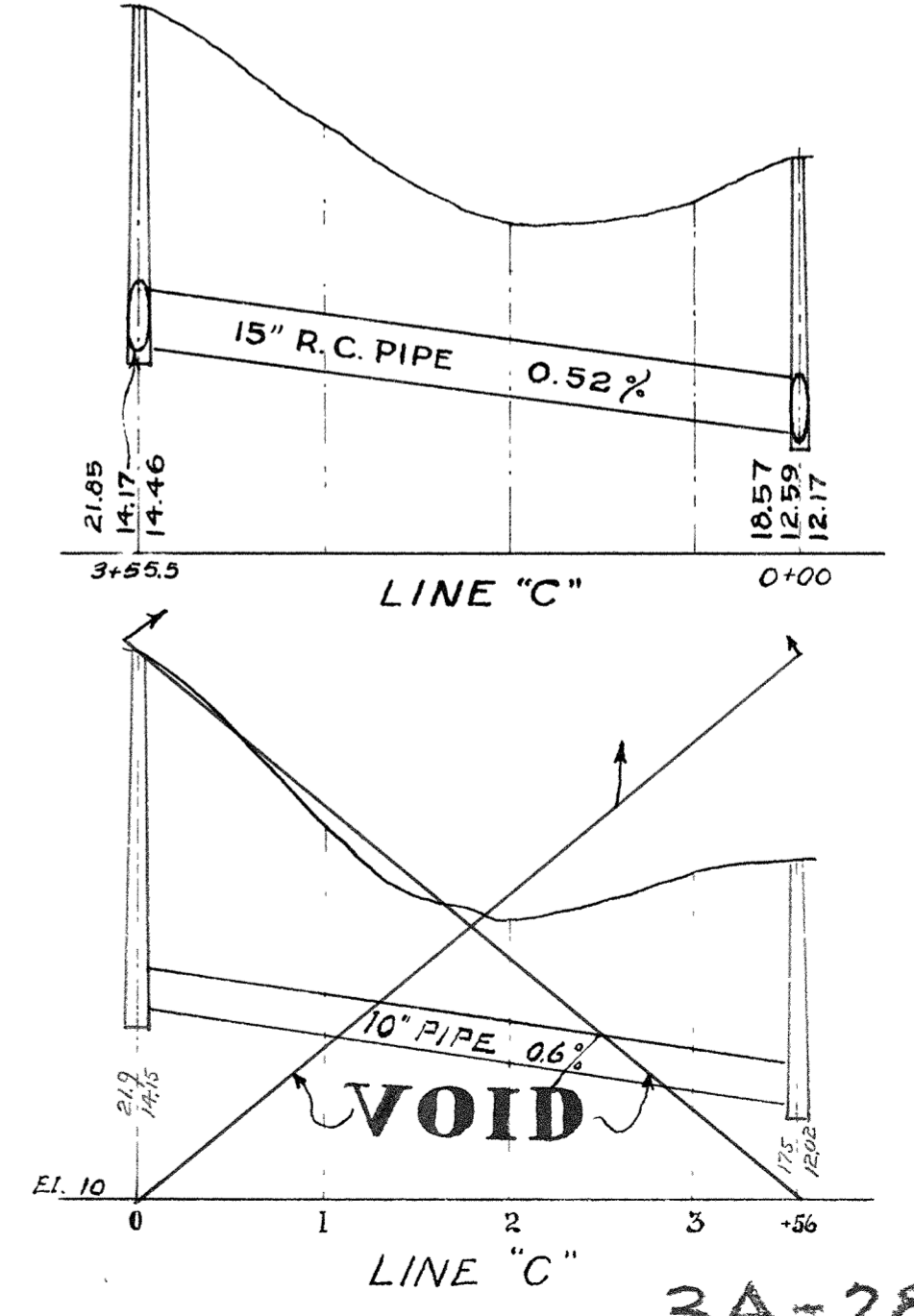
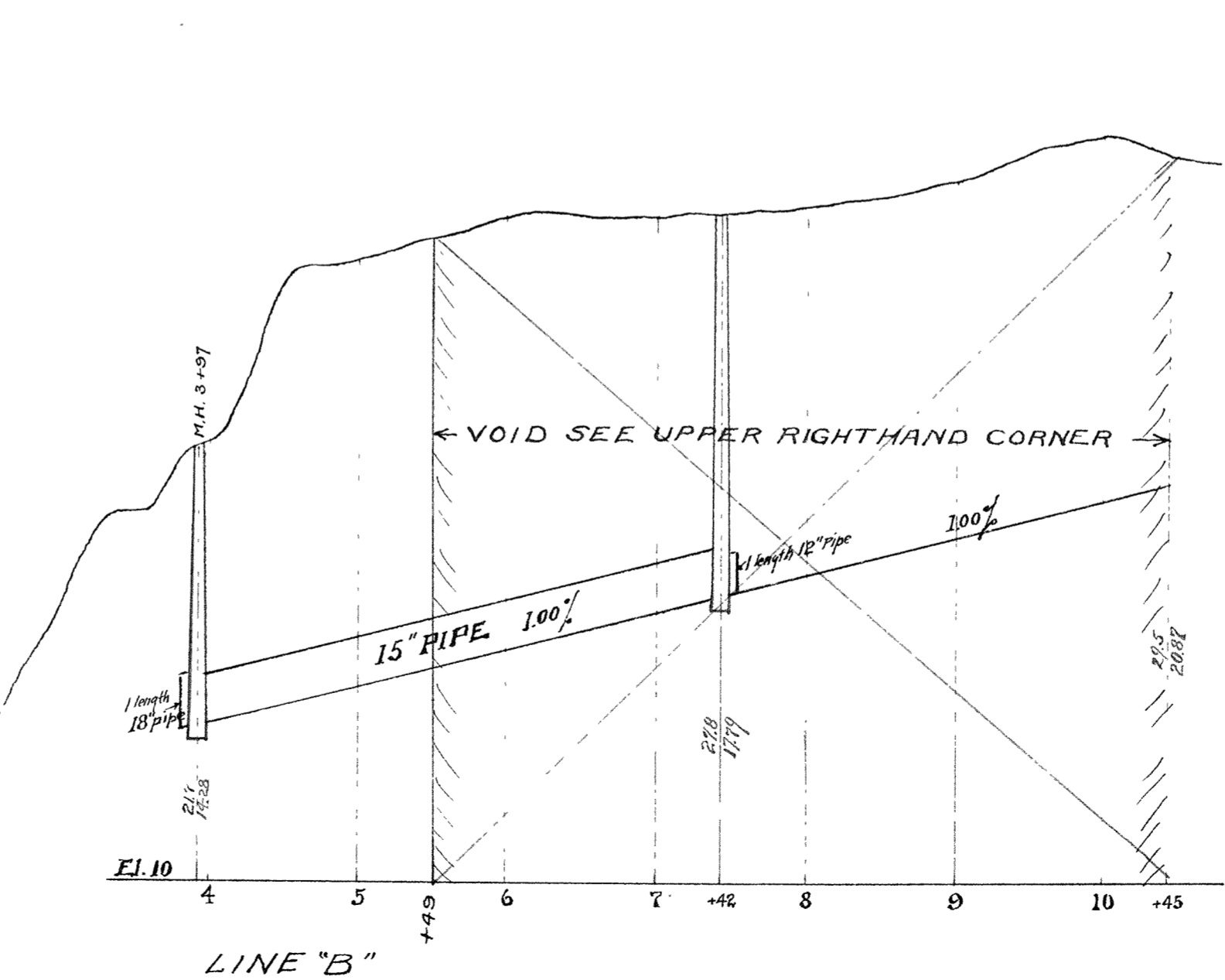
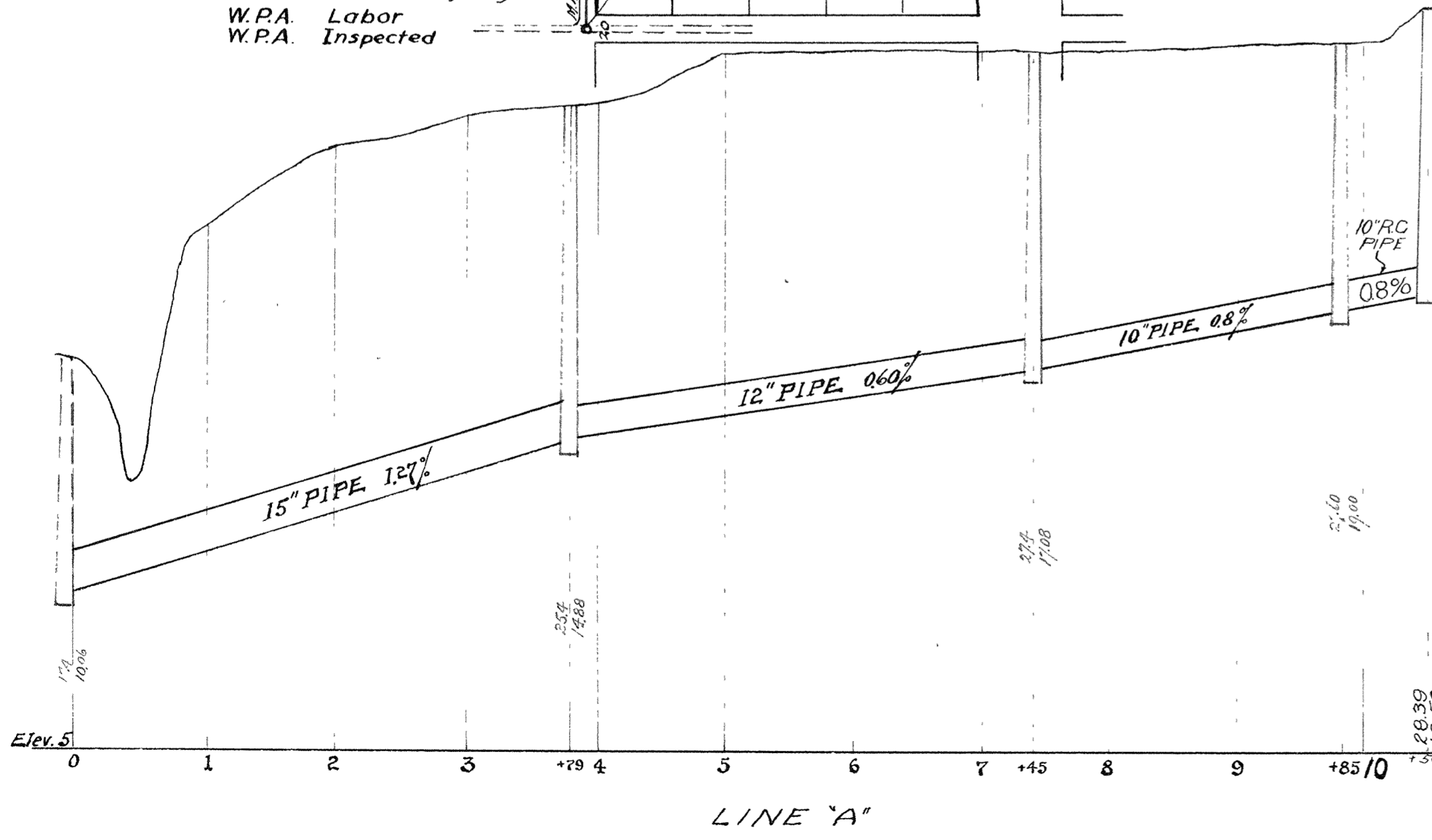
Horizontal Scale: 1" = 100'
Vertical Scale: 1" = 4'
CONTRACT No 1556
Contract let JUNE 22nd 1917.
Contract completed Aug. 25th 1917
JOHN ANDERSON Contractor
E. M. STEFFERSON Inspector
E. B. Banks City Engineer

Horizontal Scale: 1" = 100'
Vertical Scale: 1" = 4'
CONTRACT No 1541
Contract let August 3rd 1916
Contract completed October 20th 1916
Magnus Peterson Contractor
E. M. Stefferson Inspector
E. B. Banks City Engineer.



HORIZONTAL SCALE: 1" = 100'
VERTICAL SCALE: 1" = 4'
CONTRACT No 1660
CONTRACT COMPLETED DEC. 1st 1922
VICTOR NELSON CONTRACTOR
NICK ANDERSON INSPECTOR
E. B. BANKS CITY ENGINEER

RELAYED
Oct. 1938
T.M. Basterash - City Eng.
W.P.A. Labor
W.P.A. Inspected



3A-28