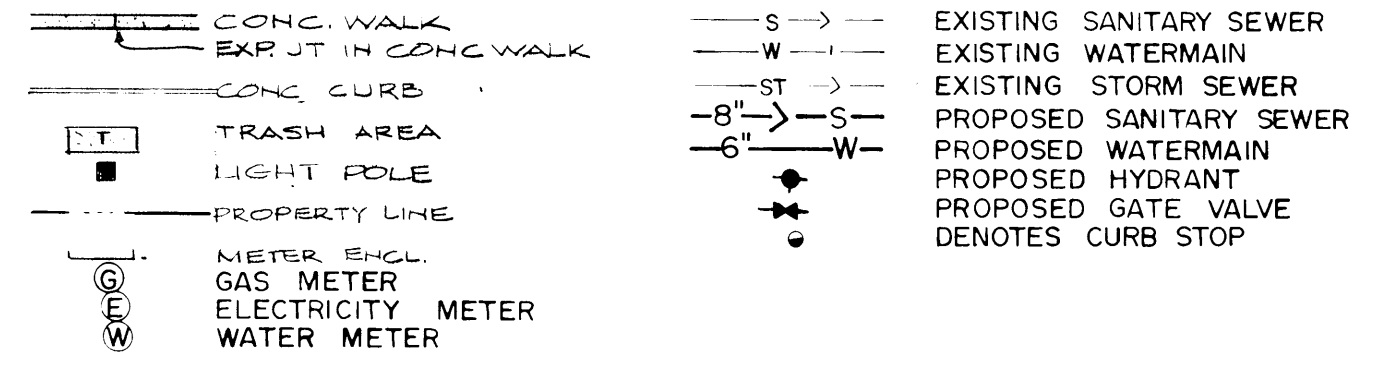
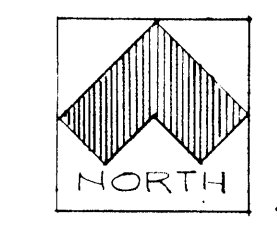


- NOTES:**
- 1) CONTRACTOR TO INSTALL 2" X 2" X 8" MIN. WOOD STAKE AT END OF ALL SERVICES.
 - 2) ALL SERVICES TO BE INSTALLED WITHIN 10 FEET OF BUILDING LOCATION.
 - 3) WATER SERVICES TO BE INSTALLED UNDER THIS CONTRACT. CITY WILL CONSTRUCT WATERMAIN WITHIN UTILITY EASEMENT AND CONNECT TO SERVICES. OTHER MAIN SHOWN TO BE CONSTRUCTED UNDER THIS CONTRACT.
 - 4) A 10' SEPARATION SHALL EXIST BETWEEN SEWER AND WATER IN UTILITY EASEMENT.
 - 5) SEWER SERVICE WYES TO BE A MIN 2 FEET FROM MANHOLE.

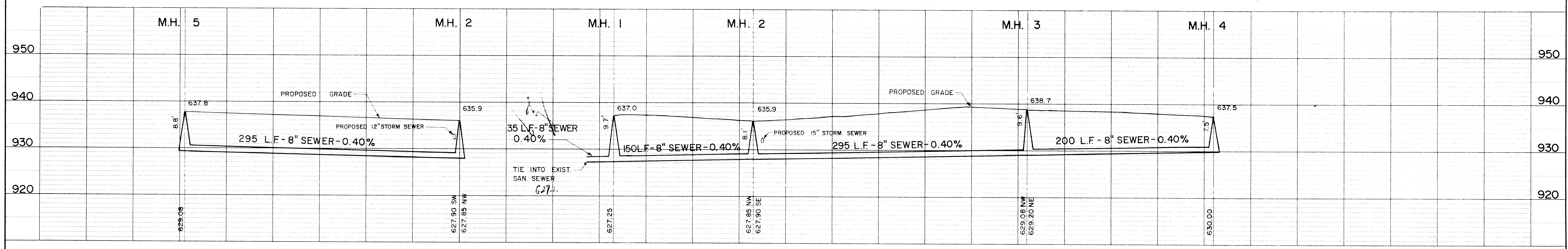
KEY TO SYMBOLS



THIS PLAN NOT TO BE USED FOR CONSTRUCTION PURPOSES UNLESS "STAMPED APPROVED FOR CONSTRUCTION."



SITE PLAN
 1" = 50'-0"
 SURVEY INFORMATION ON THIS SHEET TAKEN FROM 8 JAN 1975 SURVEY OF PROPOSED INDIANHEAD TECHNICAL INSTITUTE BY KENNETH OLSON BENCH MARK CITY MCH 6 NW CORNER OF INTERSECT H 21 STR & HILL AVE ELEV = 636.12 USCGS DATUM



THE LOCATIONS OF EXISTING UNDERGROUND UTILITIES ARE SHOWN IN AN APPROXIMATE WAY ONLY. THE EXCAVATING CONTRACTOR SHALL DETERMINE THE EXACT LOCATION OF ALL EXISTING UTILITIES BEFORE COMMENCING WORK. HE AGREES TO BE FULLY RESPONSIBLE FOR ANY AND ALL DAMAGES WHICH MIGHT BE OCCASIONED BY HIS FAILURE TO EXACTLY LOCATE AND PRESERVE ANY AND ALL UNDERGROUND UTILITIES.

NO.	DATE	BY	REVISIONS
C	9-11-79	MS	REVISED WATERMAIN SIZE
B	8-29-79	M.J.	REMOVE HYD NEAR M.H. 5, EXTEND EASE'T, MISC NOTES
A	8-27-79	M.J.	REALIGN SAN SEWER AND ADD CITY WATER TO UTILITY EASEMENT.

DESIGNED: P.A.B.
 CHECKED: A.C.S.
 DRAWN: M.R.J.
 APPROVED: W.H.M.
 DATE: 8-16-79

HEREBY CERTIFY THAT THIS PLAN WAS PREPARED BY ME OR UNDER MY DIRECT SUPERVISION AND THAT I AM A DULY REGISTERED PROFESSIONAL ENGINEER UNDER THE LAWS OF THE STATE OF WISCONSIN.
 DATE: 8/30/79 REG. NO. 612001

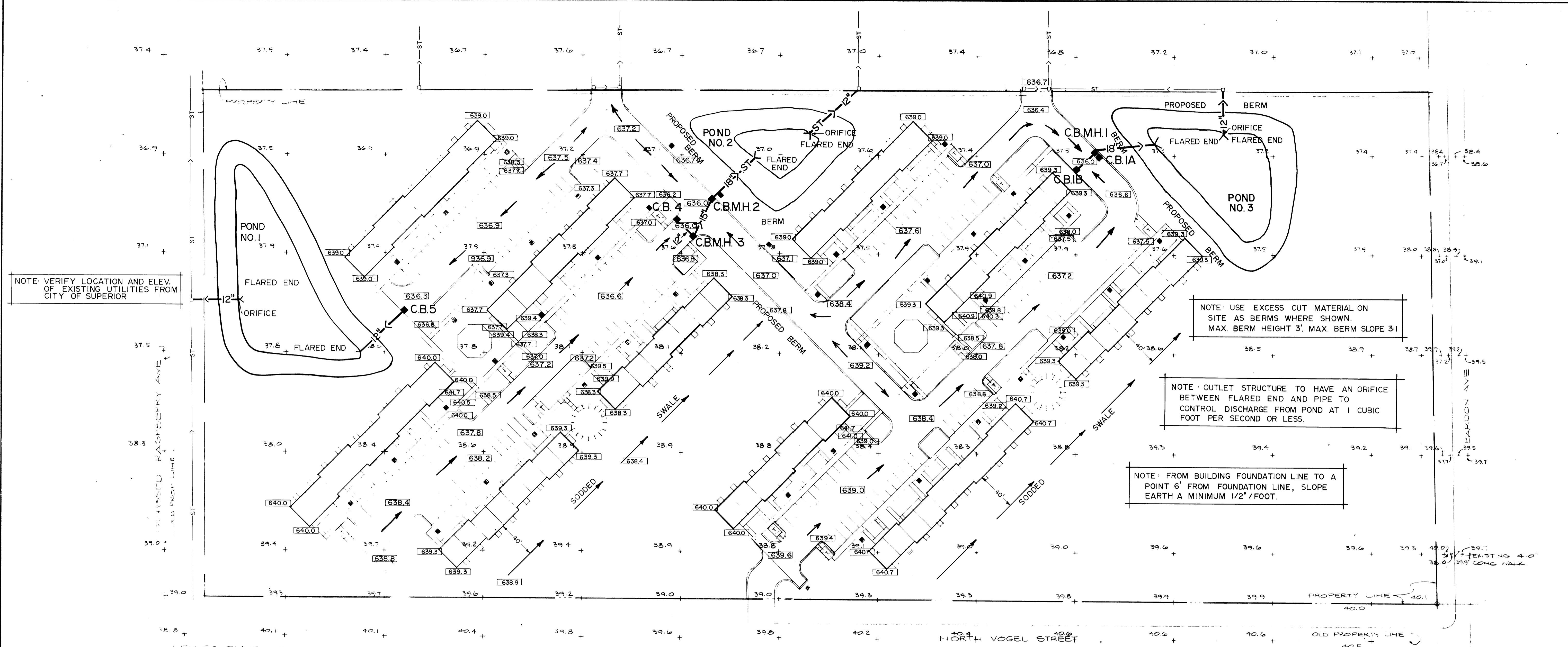
McCOMBS-KNUTSON ASSOCIATES, INC.
 CONSULTING ENGINEERS ■ LAND SURVEYORS ■ SITE PLANNERS
 MINNEAPOLIS, HUTCHINSON and MARSHALL, MINNESOTA

SUPERIOR TOWNHOUSES
 HUD PROJECT NO. 075-35248 PM/L8
 INTERFACED W/ WI-39-0045-001
 SUPERIOR, WISCONSIN

SCALE: HORIZ. 1" = 50'
 VERT. 1" = 10'
 BOOK PAGE
 FILE NO. 5169

SANITARY SEWER AND WATERMAIN

SHEET	REV
1	C
OF	4



NOTE: VERIFY LOCATION AND ELEV. OF EXISTING UTILITIES FROM CITY OF SUPERIOR

NOTE: USE EXCESS CUT MATERIAL ON SITE AS BERMS WHERE SHOWN. MAX. BERM HEIGHT 3'. MAX. BERM SLOPE 3:1

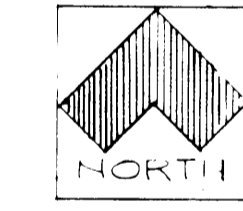
NOTE: OUTLET STRUCTURE TO HAVE AN ORIFICE BETWEEN FLARED END AND PIPE TO CONTROL DISCHARGE FROM POND AT 1 CUBIC FOOT PER SECOND OR LESS.

NOTE: FROM BUILDING FOUNDATION LINE TO A POINT 6' FROM FOUNDATION LINE, SLOPE EARTH A MINIMUM 1/2" / FOOT.

KEY TO SYMBOLS

- CONCRETE WALK
- EXISTING STORM SEWER
- PROPOSED STORM SEWER
- EXISTING CATCH BASIN
- PROPOSED CATCH BASIN
- EXISTING SPOT ELEVATION
- PROPOSED SPOT ELEVATION

THIS PLAN NOT TO BE USED FOR CONSTRUCTION PURPOSES UNLESS "STAMPED APPROVED FOR CONSTRUCTION"



GRADING SITE PLAN
 SURVEY INFORMATION ON THIS SHEET TAKEN FROM BUJAN 975 SURVEY OF PROPOSED HOUSING PROJECT BY KENNETH OLSON BENCH MARK CITY MON @ N.W. CORNER OF INTERSECT N 21 ST & HILL AVE ELEV: 636.12 USCGS DATUM

OUTLET STRUCTURE FOR POND NO. 1	C.B. 5	C.B. 4 C.B.M.H.3 C.B.M.H.2	OUTLET STRUCTURE FOR POND NO. 2	C.B. IA C.B.M.H.1	C.B. IB C.B.M.H.1	OUTLET STRUCTURE FOR POND NO. 3
EXIST. C.B.			EXIST. C.B.			EXIST. C.B.
PROPOSED GRADE	PROPOSED GRADE	PROPOSED GRADE	PROPOSED GRADE	PROPOSED GRADE	PROPOSED GRADE	PROPOSED GRADE
EXIST. STORM SEWER			EXIST. ST. SEWER			EXIST. STORM SEWER
50 L.F. 12" R.C.P. CLV - 3.00%	60 L.F. 12" R.C.P. CLV - 1.60%	25 L.F. 12" R.C.P. CLV - 0.80% 45 L.F. 15" R.C.P. CLV - 0.80%	65 L.F. 12" R.C.P. CLV - 0.80%	60 L.F. 12" R.C.P. CLV - 0.80% 60 L.F. 18" R.C.P. CLV - 0.50%	25 L.F. 12" R.C.P. CLV - 0.66%	45 L.F. 12" R.C.P. CLV - 0.40%
638.27 639.30	631.94 632.04 633.00	632.04 631.84 631.48 631.18 631.15	630.91 630.86 630.34	632.88 632.83 632.83 632.50 632.50	633.00 632.83	632.31 632.29 632.11

THE LOCATIONS OF EXISTING UNDERGROUND UTILITIES ARE SHOWN IN AN APPROXIMATE WAY ONLY. THE EXCAVATING CONTRACTOR SHALL DETERMINE THE EXACT LOCATION OF ALL EXISTING UTILITIES BEFORE COMMENCING WORK. HE AGREES TO BE FULLY RESPONSIBLE FOR ANY AND ALL DAMAGES WHICH MIGHT BE OCCASIONED BY HIS FAILURE TO EXACTLY LOCATE AND PRESERVE ANY AND ALL UNDERGROUND UTILITIES.

NO.	DATE	BY	REVISIONS
C	9-11-79	MS	REVISED POND NO.1, REVISED ST. SEWER, REVISED POND 3
B	9-7-79	M.J.	CHANGE LOC. C.B.M.H.1, IA, ADD C.B. IB
A	8-27-79	M.J.	INCREASE PIPE LENGTH FROM C.B.M.H.3 TO C.B.M.H.2

DESIGNED P.A.B.
 CHECKED A.C.S.
 DRAWN M.R.J.
 APPROVED W.H.M.
 DATE 8-16-79
 COMM.

I HEREBY CERTIFY THAT THIS PLAN WAS PREPARED BY ME OR UNDER MY DIRECT SUPERVISION AND THAT I AM A DULY REGISTERED PROFESSIONAL ENGINEER UNDER THE LAWS OF THE STATE OF WISCONSIN.
 DATE 9/20/79 REG. NO. C12609

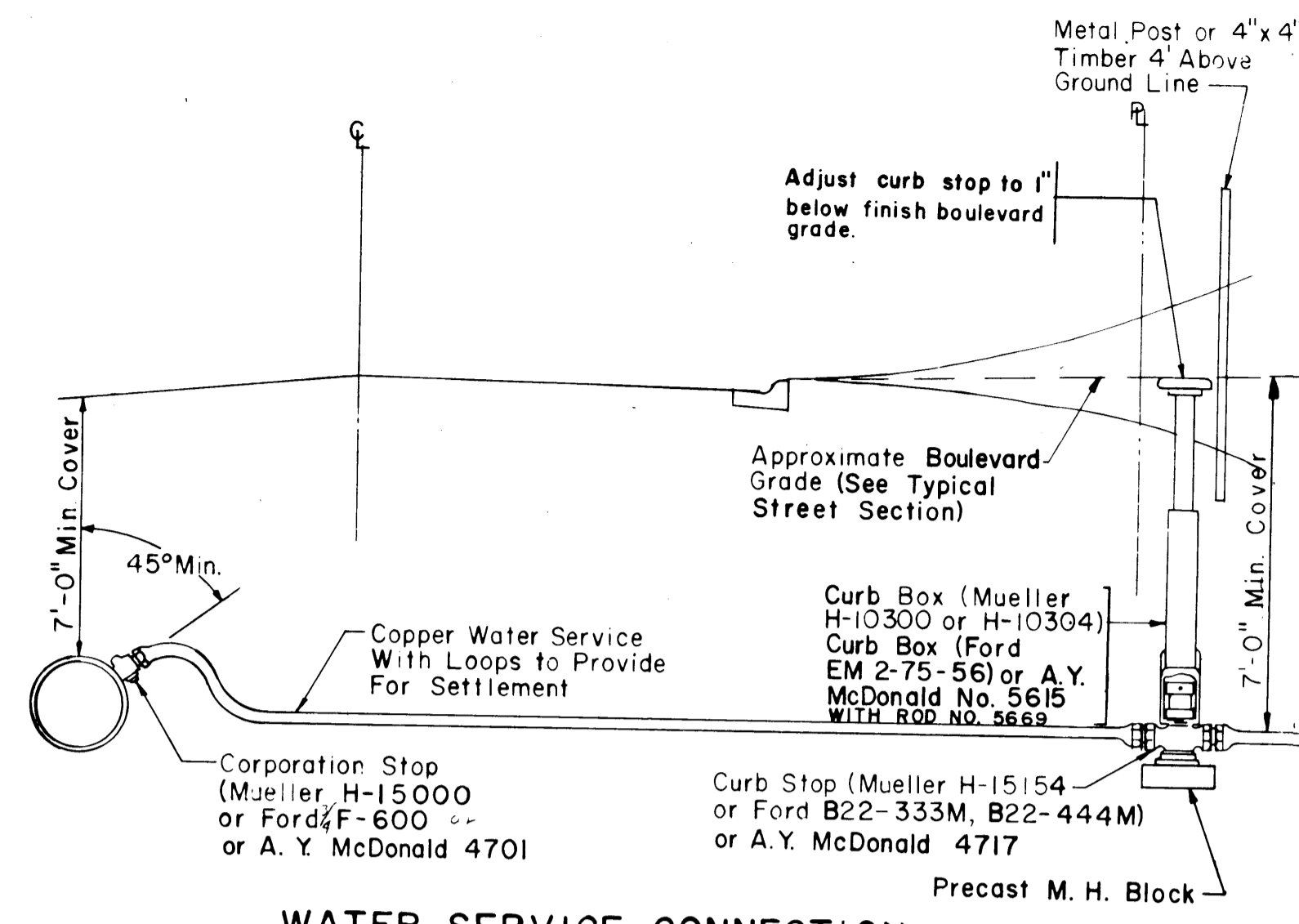
McCOMBS-KNUTSON ASSOCIATES, INC.
 CONSULTING ENGINEERS ■ LAND SURVEYORS ■ SITE PLANNERS
 MINNEAPOLIS, HUTCHINSON AND MARSHALL, MINNESOTA

SUPERIOR TOWNHOUSES
 HUD PROJECT NO. 075-35248 PM/L8
 INTERFACED W/ WI-39-0045-001
 SUPERIOR, WISCONSIN

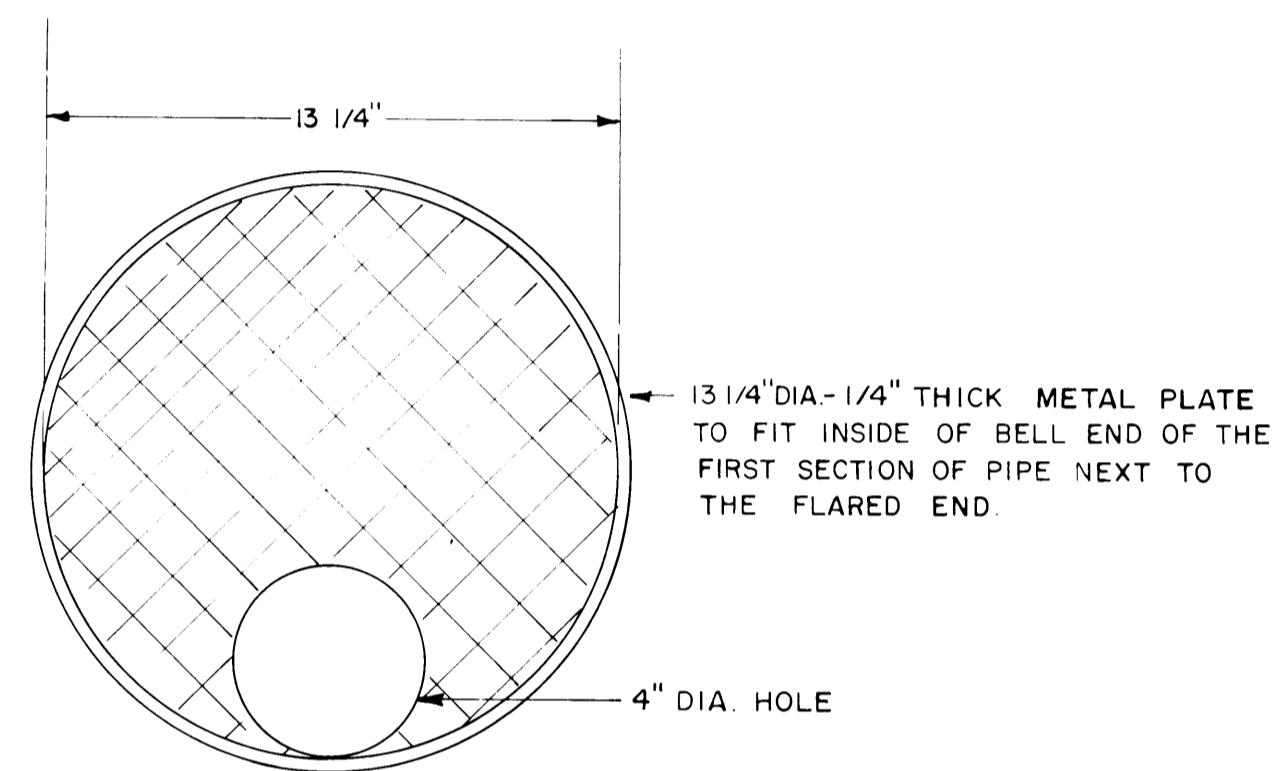
SCALE
 HORZ. 1" = 50'
 VERT. 1" = 10'
 FILE NO. 5169

STORM SEWER AND GRADING PLAN

SHEET	REV.
2	C
OF	4

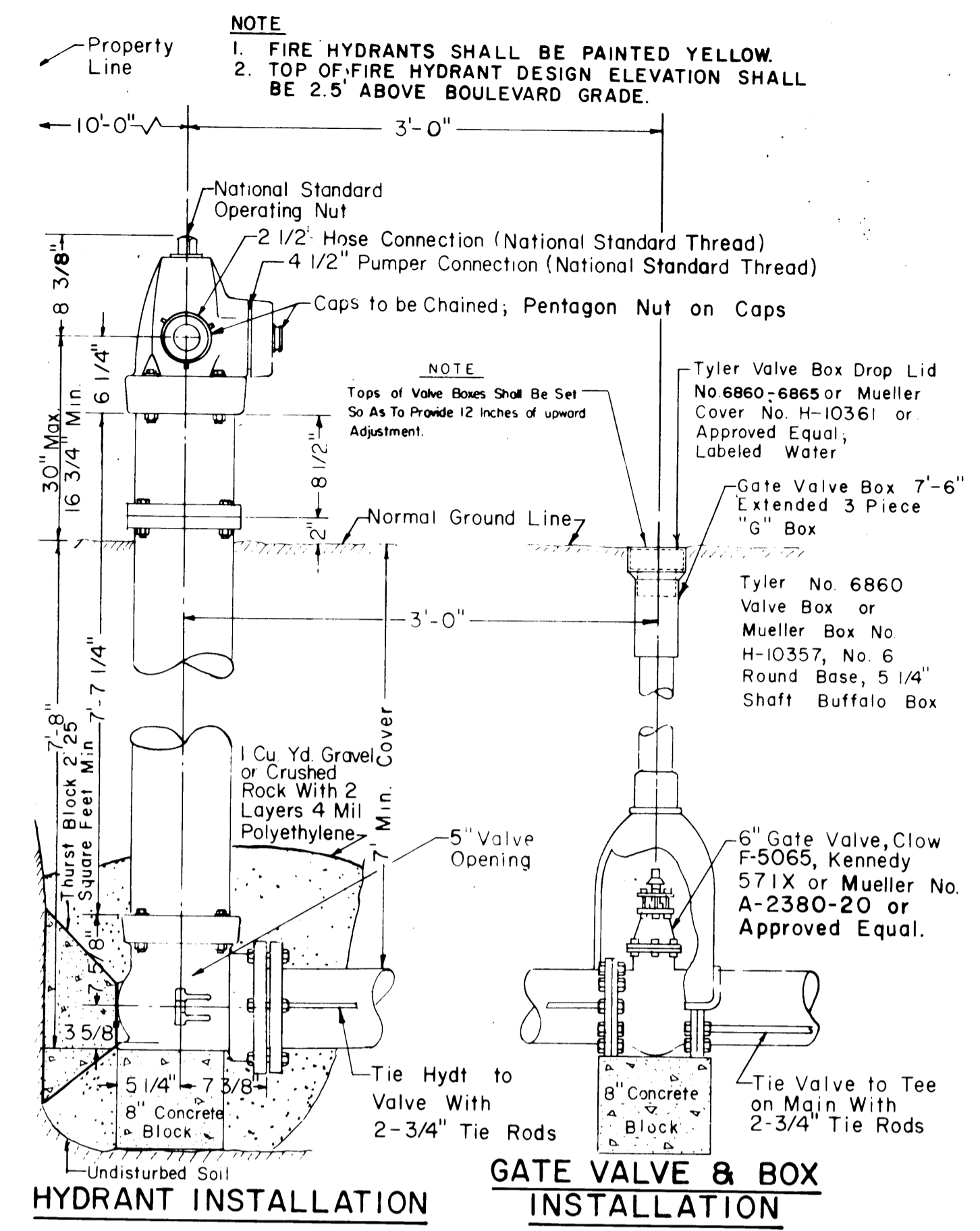


WATER SERVICE CONNECTION

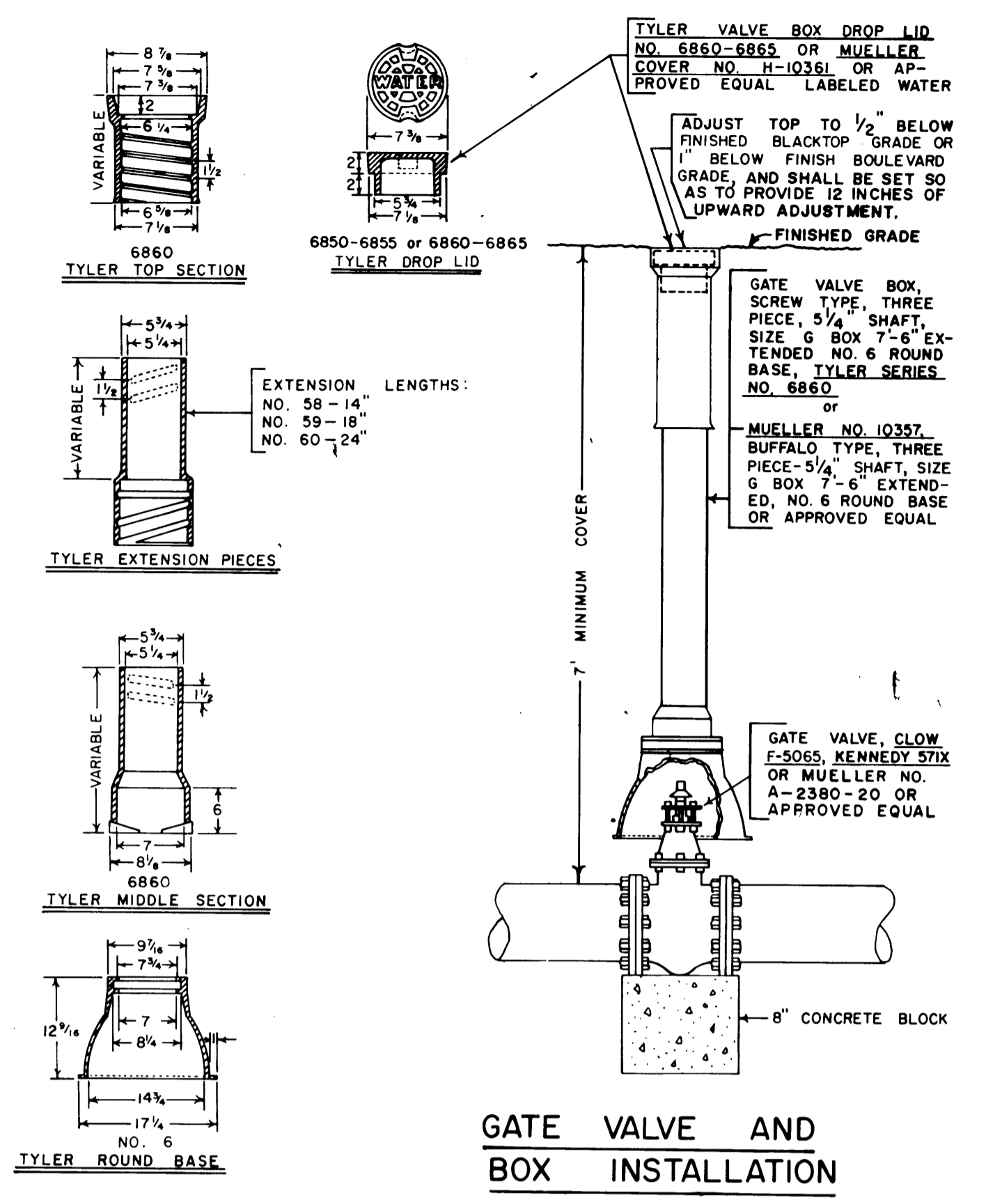


METAL PLATE TO BE FITTED INTO OUTLET PIPES OF PONDS.

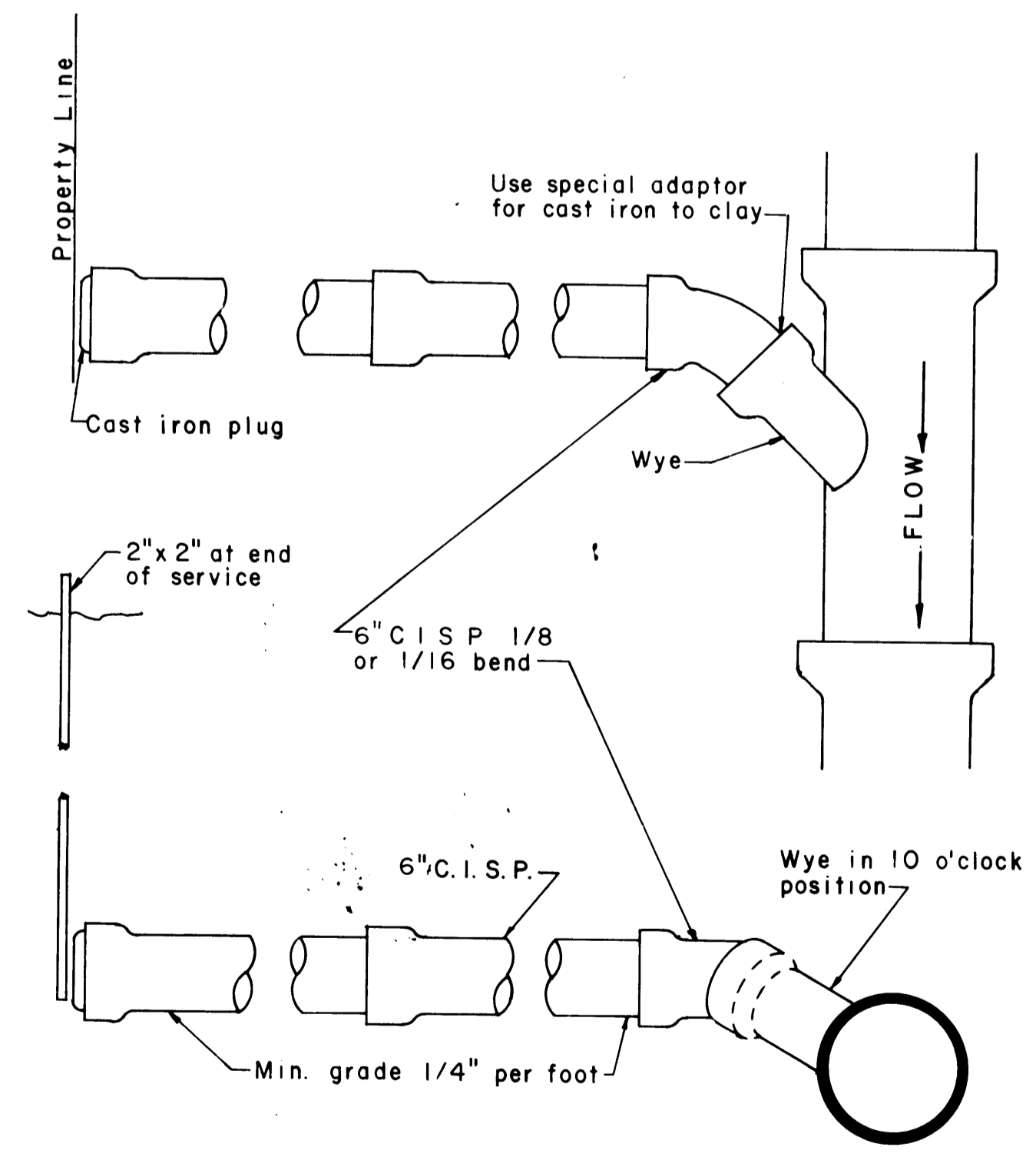
ORIFICE DETAIL



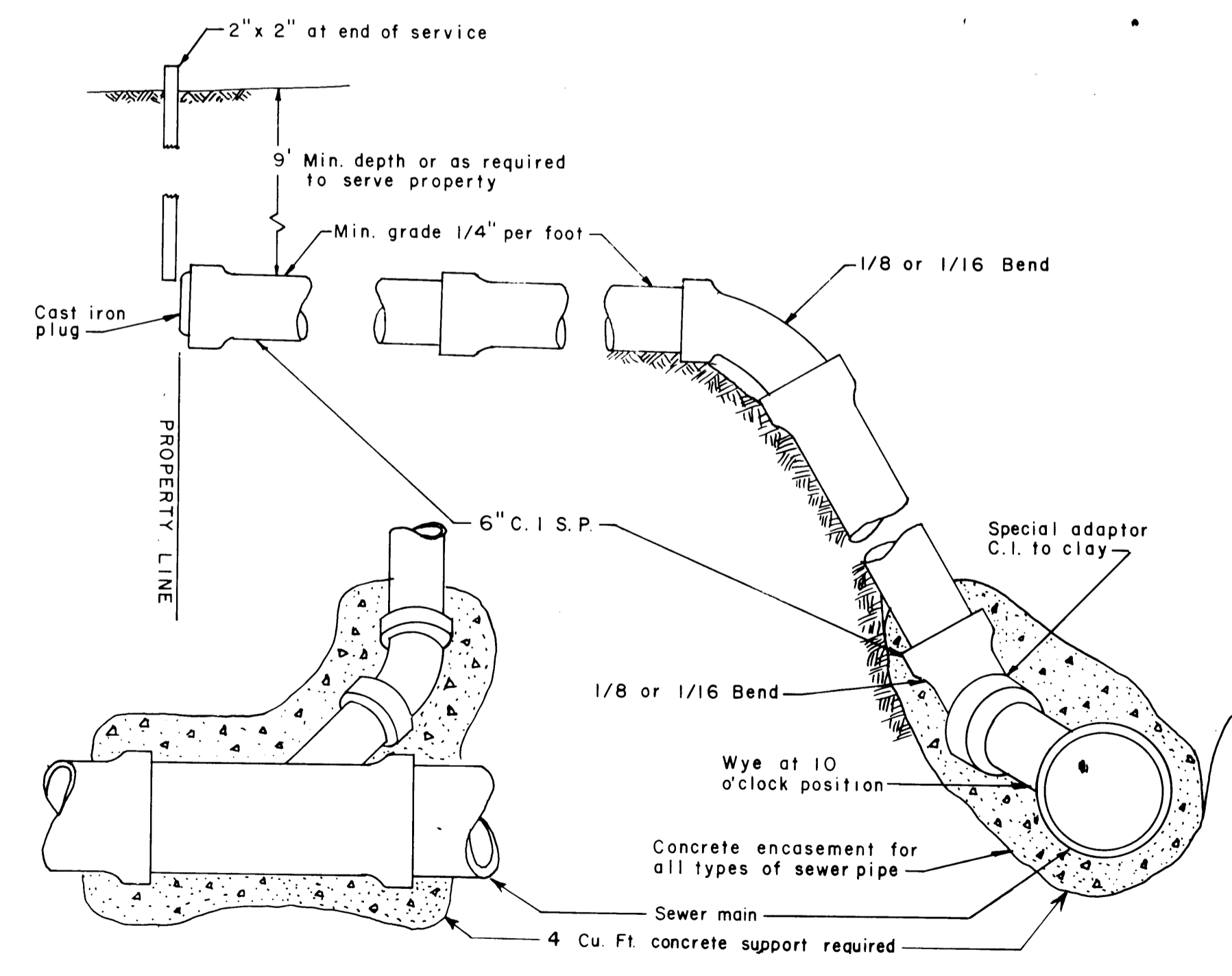
HYDRANT INSTALLATION **GATE VALVE & BOX INSTALLATION**



GATE VALVE AND BOX INSTALLATION



SANITARY SEWER SERVICE CONNECTION



SANITARY SEWER SERVICE RISER CONNECTION

NO.	DATE	BY	REMARKS

DESIGNED P.A.B.	CHECKED W.H.M.
DRAWN M.R.J.	APPROVED W.H.M.
DATE 8-16-79	COMM.

I HEREBY CERTIFY THAT THIS PLAN WAS PREPARED BY ME OR UNDER MY DIRECT SUPERVISION AND THAT I AM A DULY REGISTERED PROFESSIONAL ENGINEER UNDER THE LAWS OF THE STATE OF WISCONSIN.

William H. Knutson

DATE **9/20/79** REG. NO. **E12609**

McCOMBS-KNUTSON ASSOCIATES, INC.
CONSULTING ENGINEERS ■ LAND SURVEYORS ■ SITE PLANNERS
MINNEAPOLIS AND HUTCHINSON, MINNESOTA

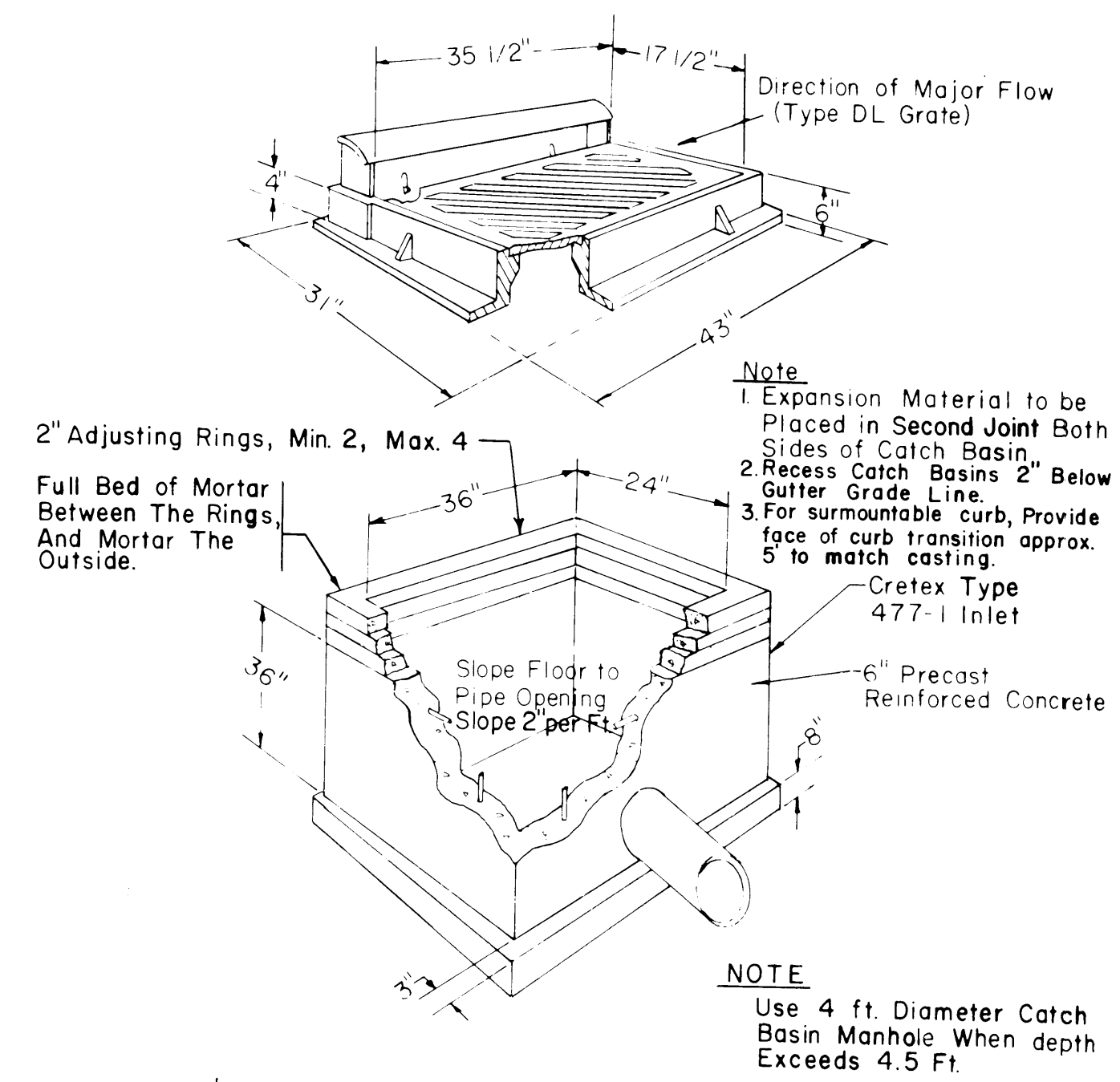
SUPERIOR TOWNHOUSES
HUD PROJECT NO. 075-35248 PM/L8
INTERFACED W/ W1-39-0045-001
SUPERIOR, WISCONSIN

SCALE NONE
BOOK PAGE
FILE NO. 5169

STANDARD DETAILS

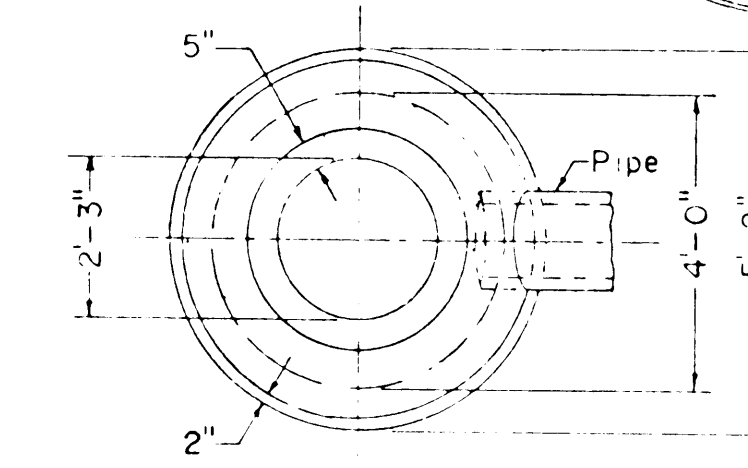
SHEET 3	REV.
OF 4	

CATCH BASIN CASTING ASSEMBLY
(NEENAH CASTING NO. R-3246-B WITH TYPE DR OR DL GRATE OR APPROVED EQUAL)

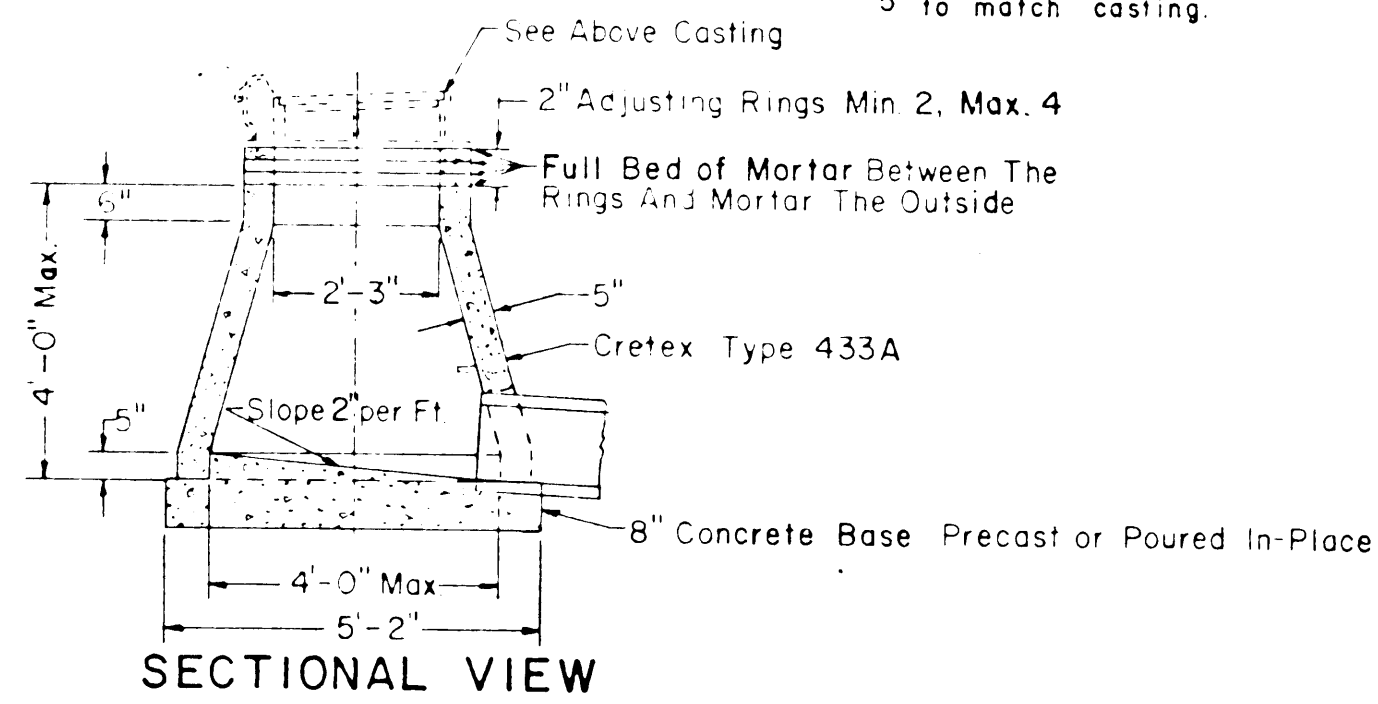


STANDARD LOW POINT CATCH BASIN

Catch Basin Frame, Grate, & Curb Box Neenah R-3250-A or Approved Equal



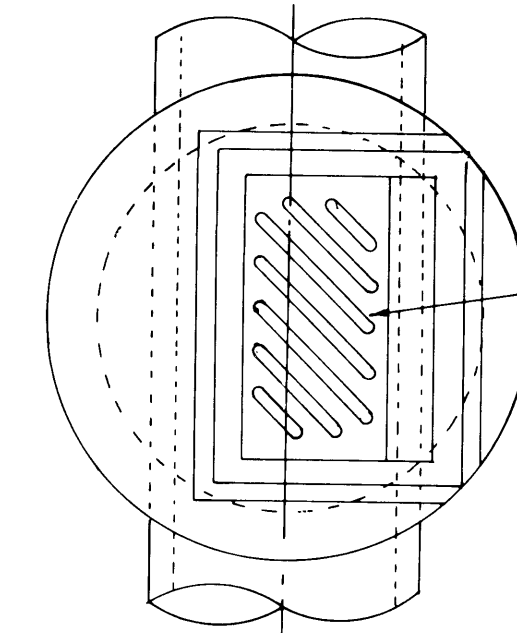
TOP VIEW



SECTIONAL VIEW

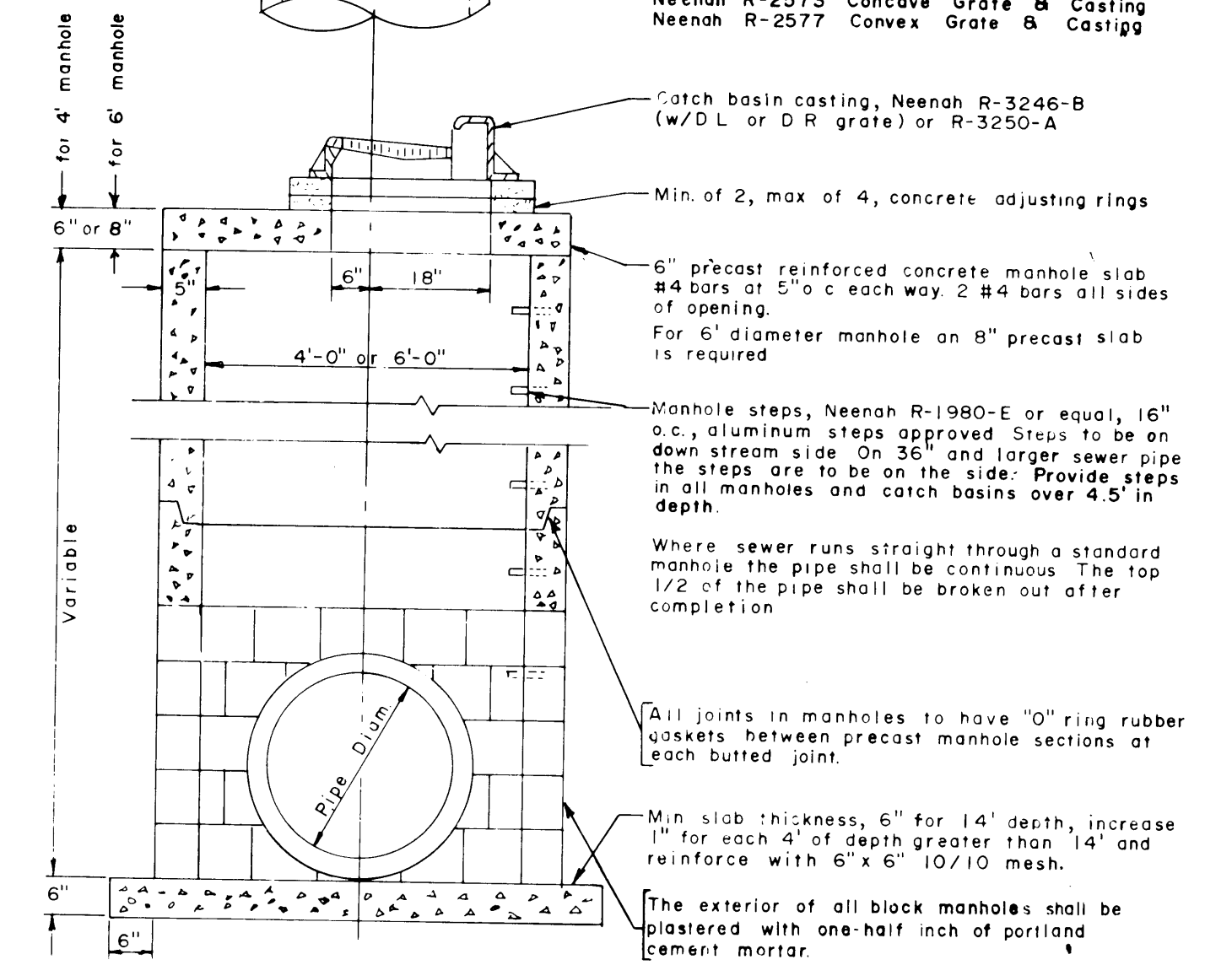
STANDARD CATCH BASIN

2 #4 Reinforcing Rods

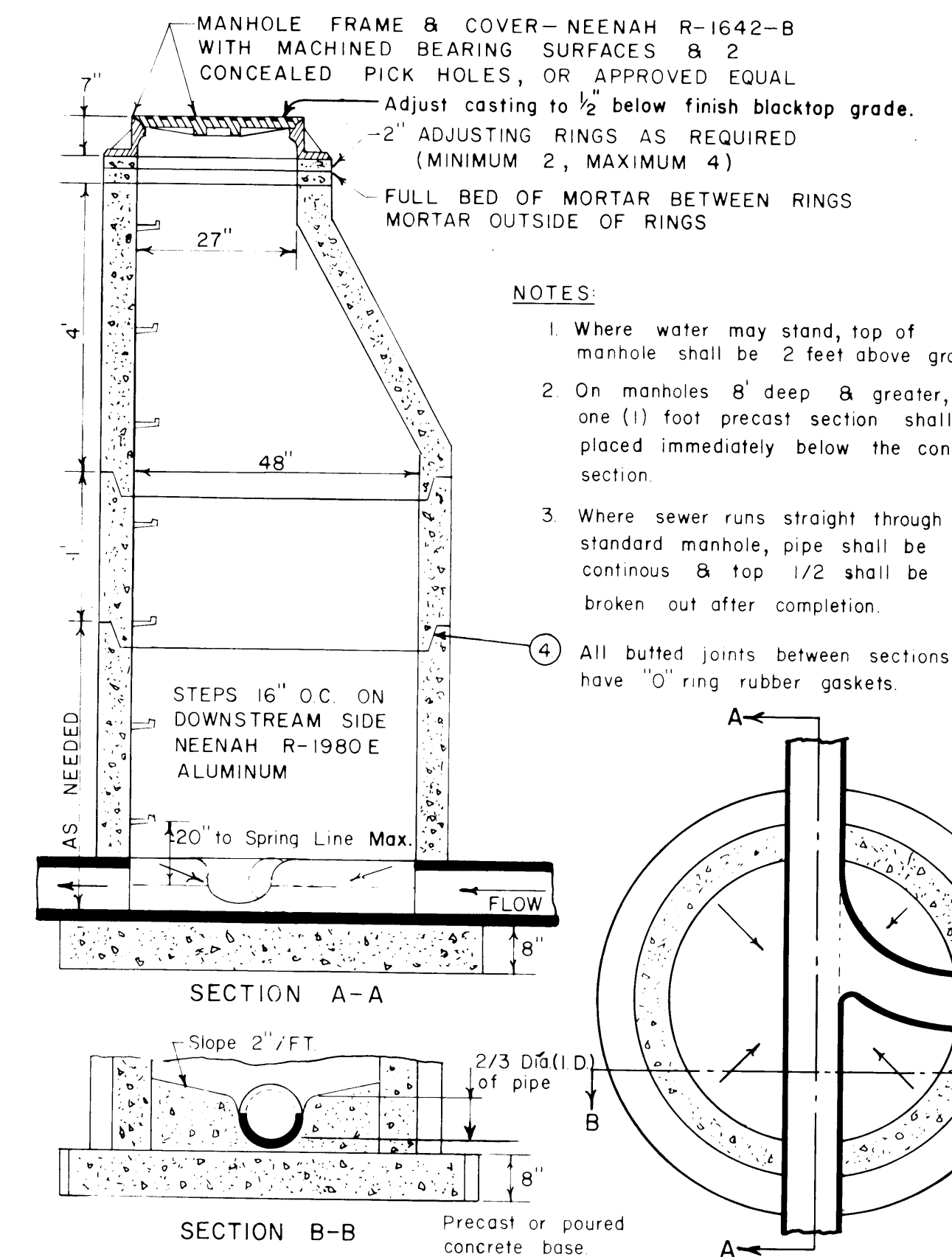


NOTE
Alternate manhole and/or catch basin is for shallow manholes and for manholes with large inlets and/or outlets. When the size of the storm sewer pipe exceeds 36" in diameter a 6' diameter manhole or catch basin shall be constructed.

NOTE
Other acceptable catch basin castings depending upon circumstances:
Neenah R-2561-A Beehive Grate & Casting
Neenah R-2573 Concave Grate & Casting
Neenah R-2577 Convex Grate & Casting



ALTERNATE CATCH BASIN MANHOLE



NOTES

- Where water may stand, top of manhole shall be 2 feet above ground
- On manholes 8' deep & greater, an one (1) foot precast section shall be placed immediately below the cone section
- Where sewer runs straight through standard manhole, pipe shall be continuous & top 1/2 shall be broken out after completion.
- All butted joints between sections shall have "O" ring rubber gaskets.

SANITARY SEWER MANHOLE

NO.	DATE	BY	REVISIONS	REMARKS

DESIGNED P.A.B.	CHECKED
DRAWN M.R.J.	APPROVED W.H.M.
DATE 8-16-79	COMM.

I HEREBY CERTIFY THAT THIS PLAN WAS PREPARED BY ME OR UNDER MY DIRECT SUPERVISION AND THAT I AM A DULY REGISTERED PROFESSIONAL ENGINEER UNDER THE LAWS OF THE STATE OF WISCONSIN.
DATE 8/20/79 REG NO. E12607

McCOMBS-KNUTSON ASSOCIATES, INC.
CONSULTING ENGINEERS ■ LAND SURVEYORS ■ SITE PLANNERS
MINNEAPOLIS AND HUTCHINSON, MINNESOTA

SUPERIOR TOWNHOUSES
HUD PROJECT NO. 075-35248 PM/LB
INTERFACED W/ WI-39-0045-001
SUPERIOR, WISCONSIN

SCALE NONE
BOOK PAGE
FILE NO. 5169

STANDARD DETAILS

SHEET 4	REV.
OF 4	