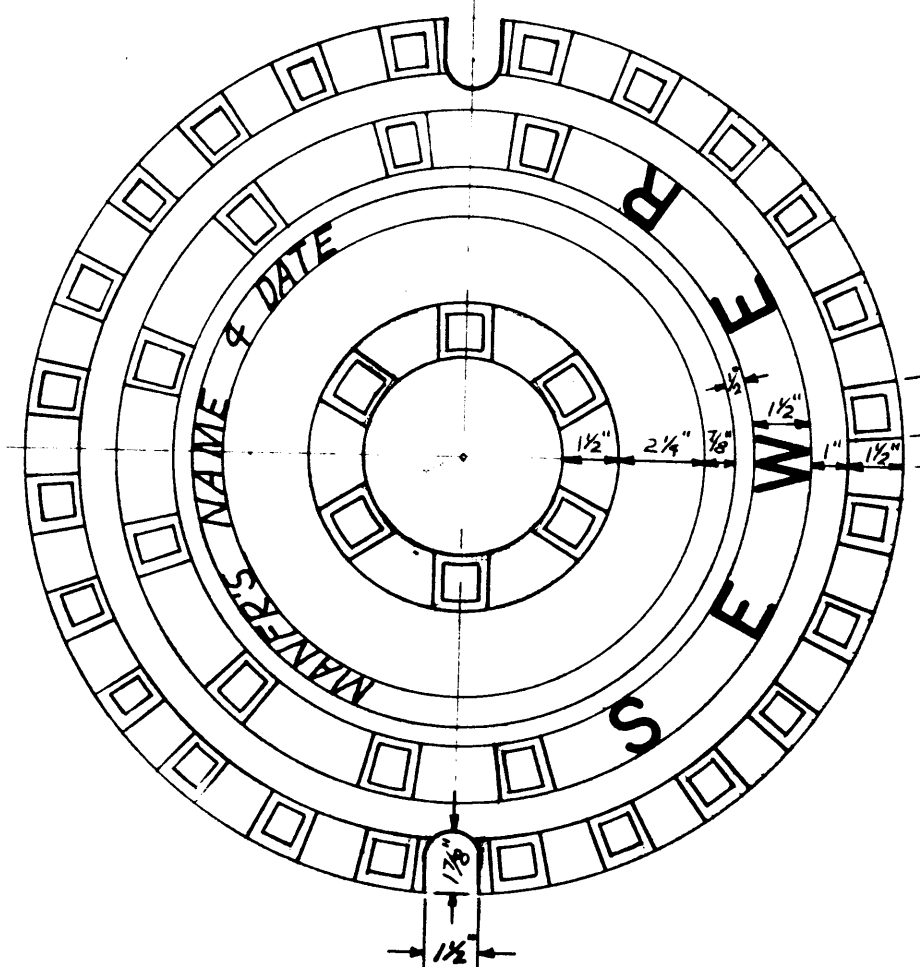
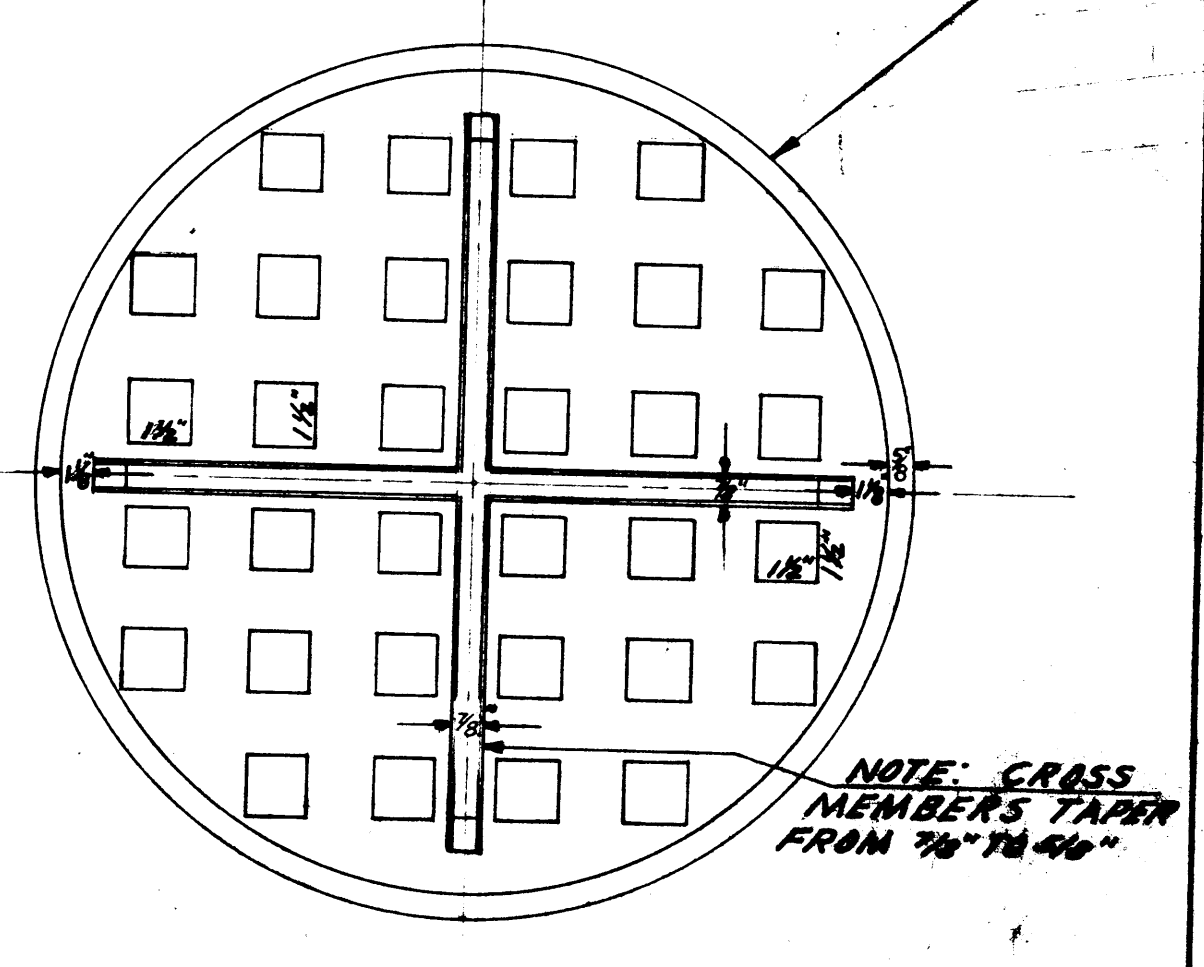


PLAN OF FRAME



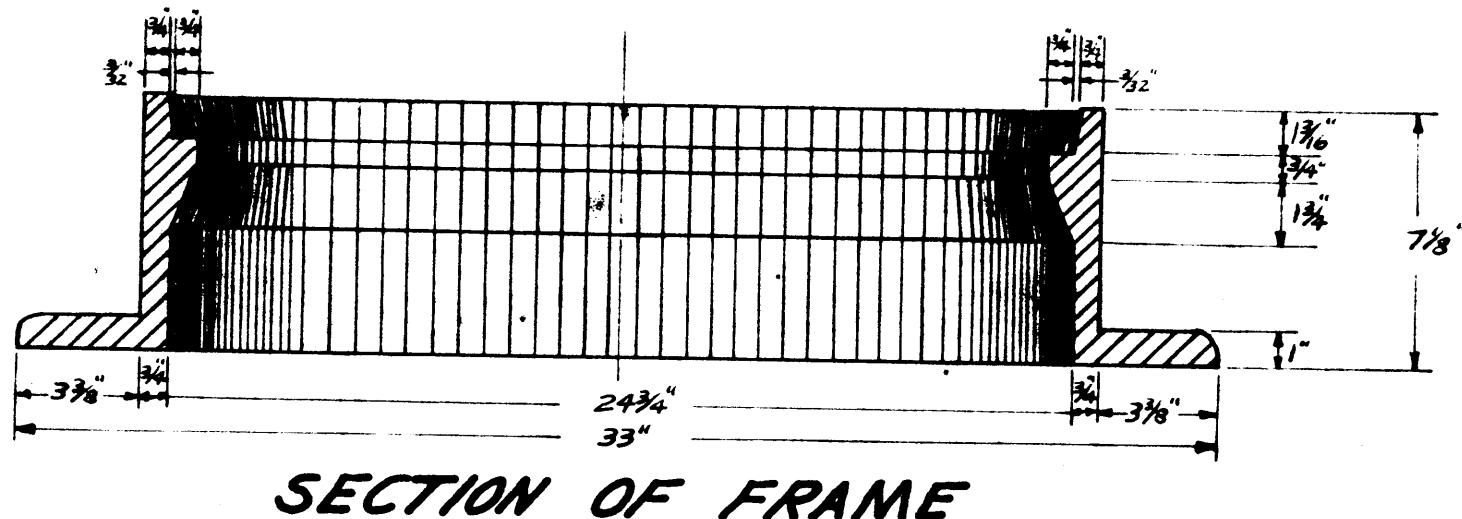
PLAN OF STANDARD COVER TOP VIEW



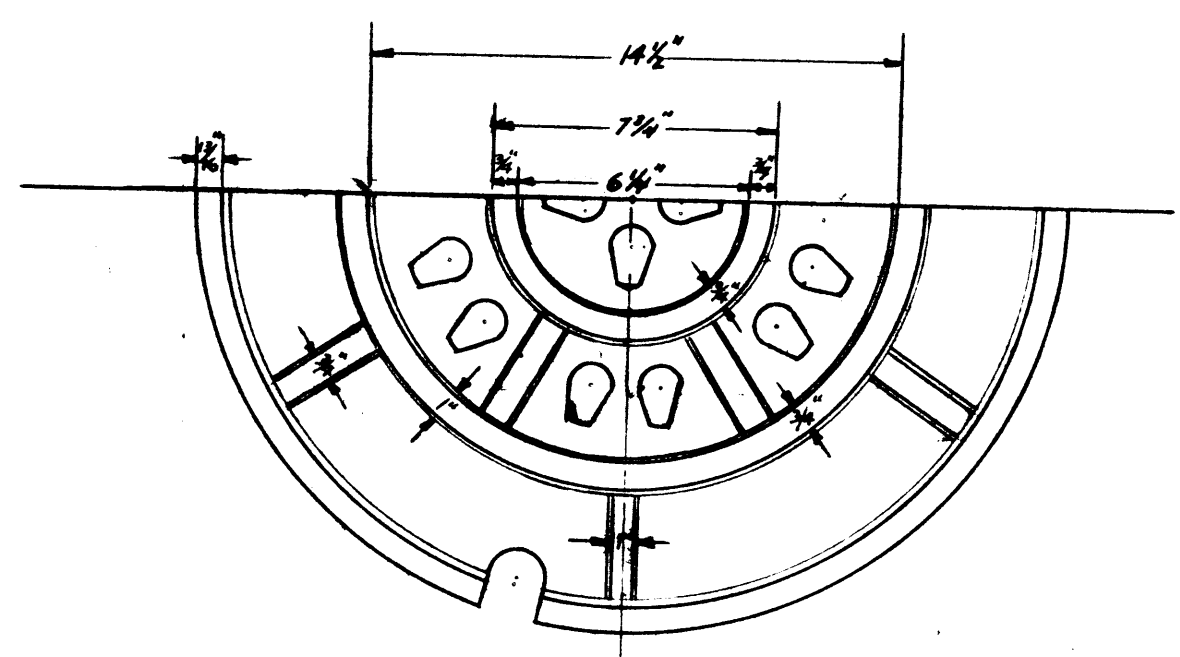
PLAN OF SURFACE DRAIN COVER BOTTOM VIEW

NOTE: TOP VIEW OF COVER SAME AS BELOW MINUS CROSS MEMBERS

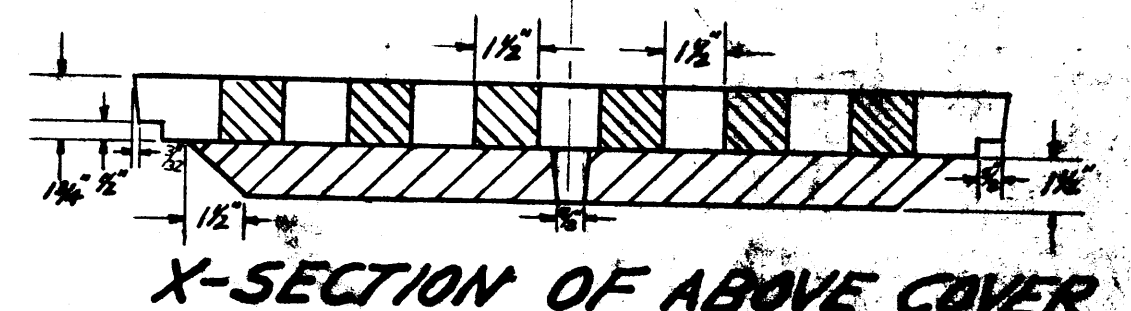
NOTE: CROSS MEMBERS TAPER FROM 7/8" TO 4/8"



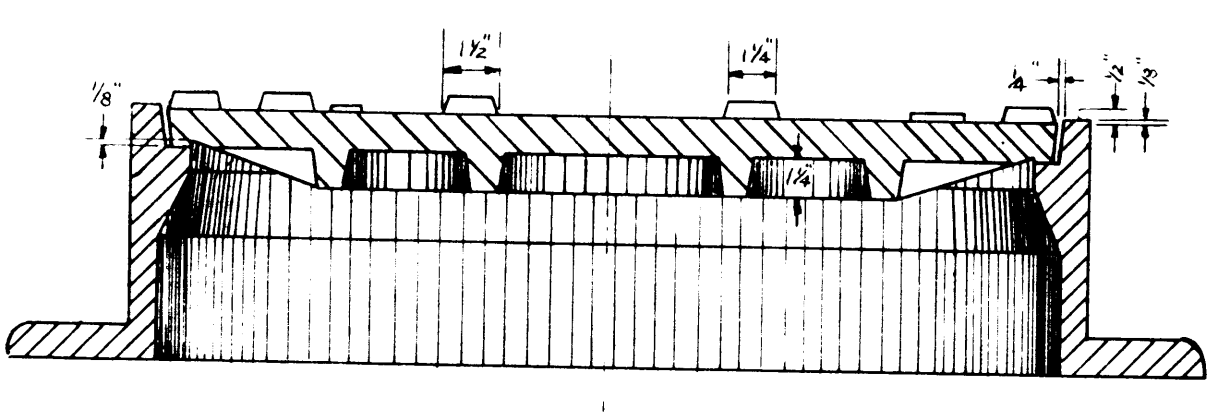
SECTION OF FRAME



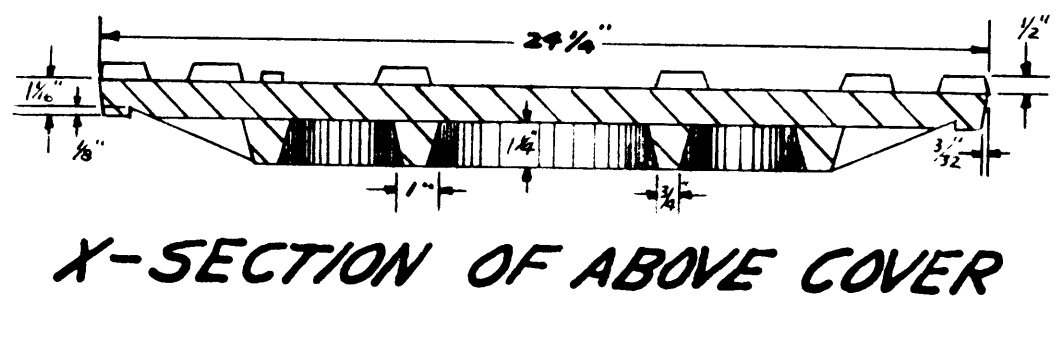
HALF PLAN OF COVER BOTTOM VIEW



X-SECTION OF ABOVE COVER



SECTION OF ASSEMBLY



X-SECTION OF ABOVE COVER

SPECIFICATIONS

ALL CASTINGS SHALL BE OF TIGHT CLOSE FINISH, UNLESS OTHERWISE SPECIFIED. ALL CASTINGS SHALL BE FREE FROM BLOW HOLES, SPINDERS AND GILD SPITS AND SHALL BE CLEAN AND FREE FROM BLISTERS AND ALL DEFECTS. ALL CASTINGS SHALL BE FINISHED TO DIMENSIONS TO BE FURNISHED AND SHALL BE TREATED WHERE MARKED OR WHERE OTHERWISE NECESSARY TO PREVENT PERMANENT CORROSION. ALL DIMENSIONS SHALL BE MADE IN THE DIRECTIONS INDICATED BY THE DIMENSION LINES AND SHALL NOT BE LESS THAN THE DIMENSIONS SHOWN UNLESS OTHERWISE SPECIFIED. ALL DIMENSIONS SHALL BE MADE TO THE CENTER UNLESS OTHERWISE SPECIFIED. ALL DIMENSIONS SHALL BE MADE TO THE CENTER UNLESS OTHERWISE SPECIFIED. ALL DIMENSIONS SHALL BE MADE TO THE CENTER UNLESS OTHERWISE SPECIFIED.

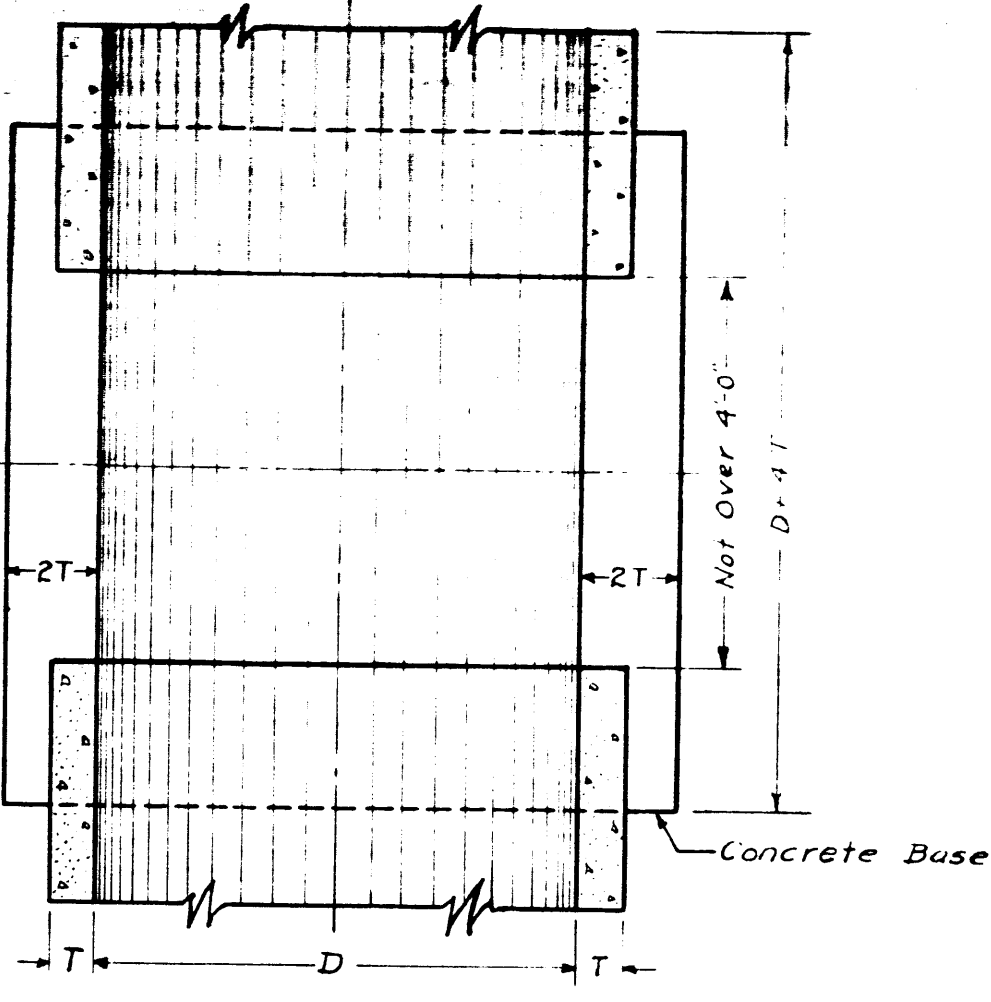
REGULAR AVERAGE WEIGHT OF: COVER - 185 LBS. RING - 220 LBS.

THIS DRAWING SUPERSEDES 2-576

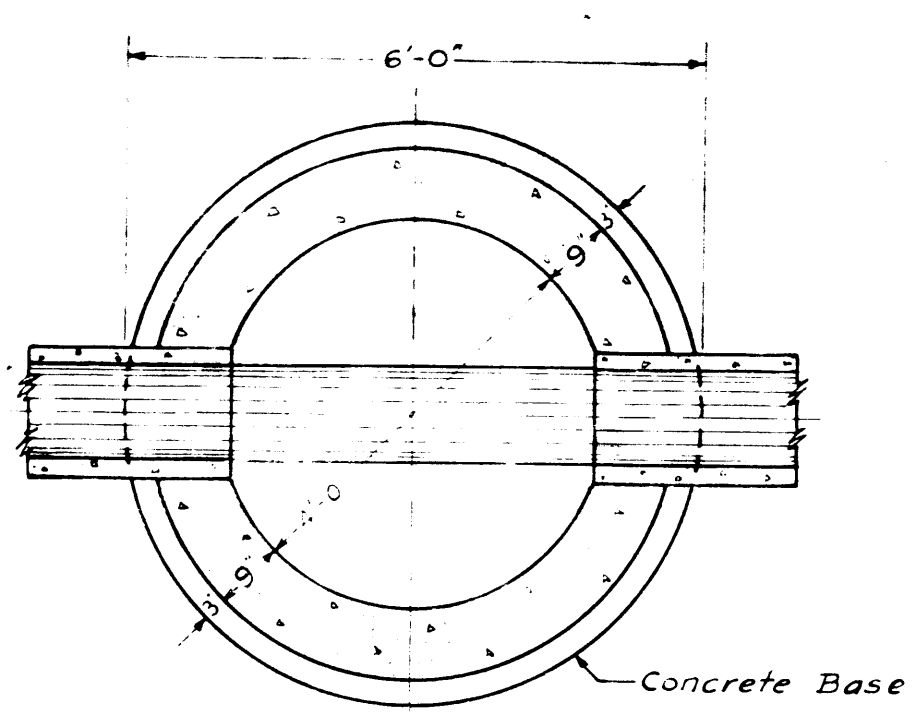
CITY OF SUPERIOR
ENGINEERING DEPARTMENT
PLAN OF MANHOLE FRAME AND COVERS

E.W. BERG CITY ENGINEER

DES.	SCALE	FILE NO.
L.M.P.	3/8" = 1"	2-928
DATE	APRIL 1959	

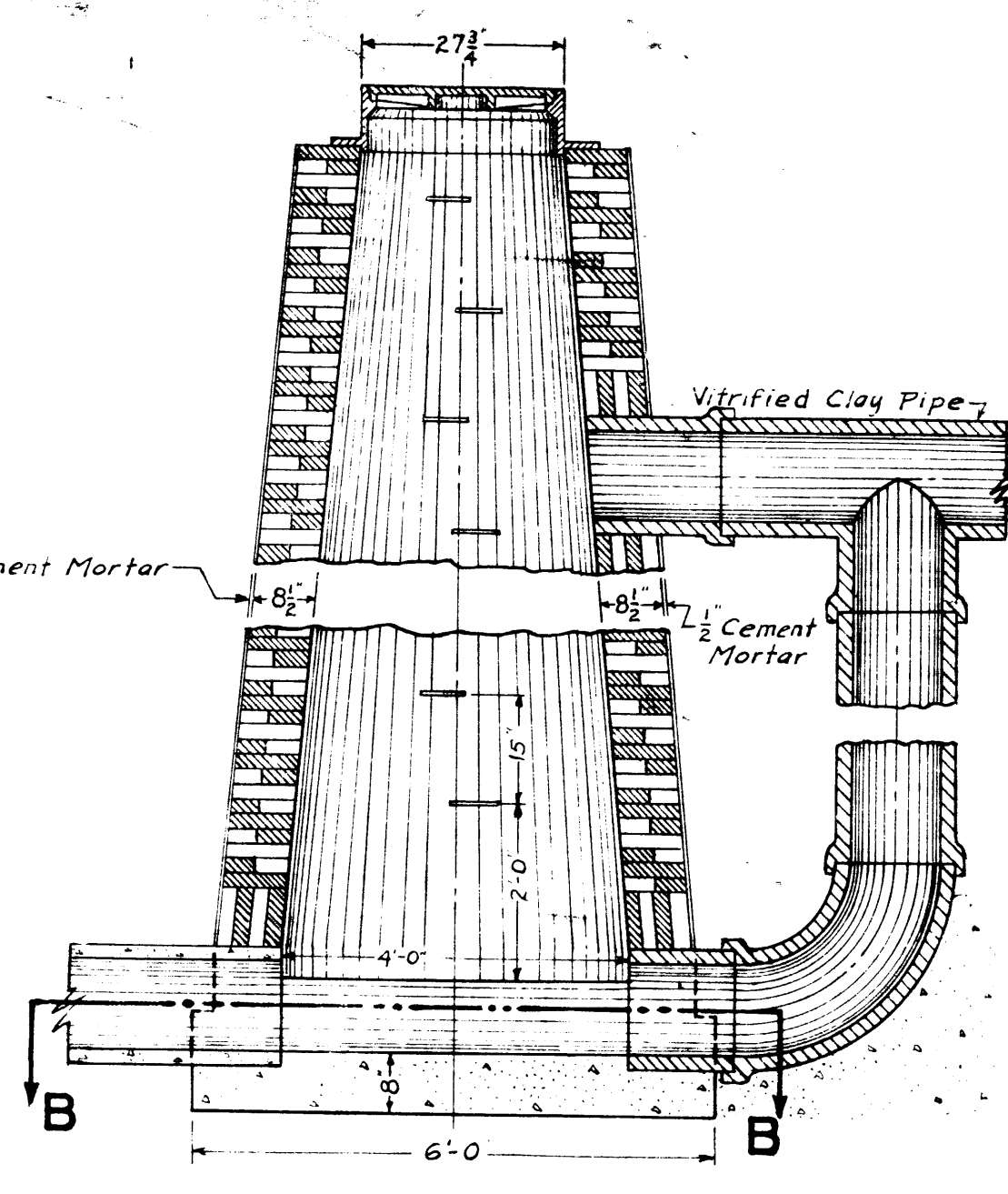


SECTION A-A



SECTION B-B

Typical Section For Standard And Drop Manholes.



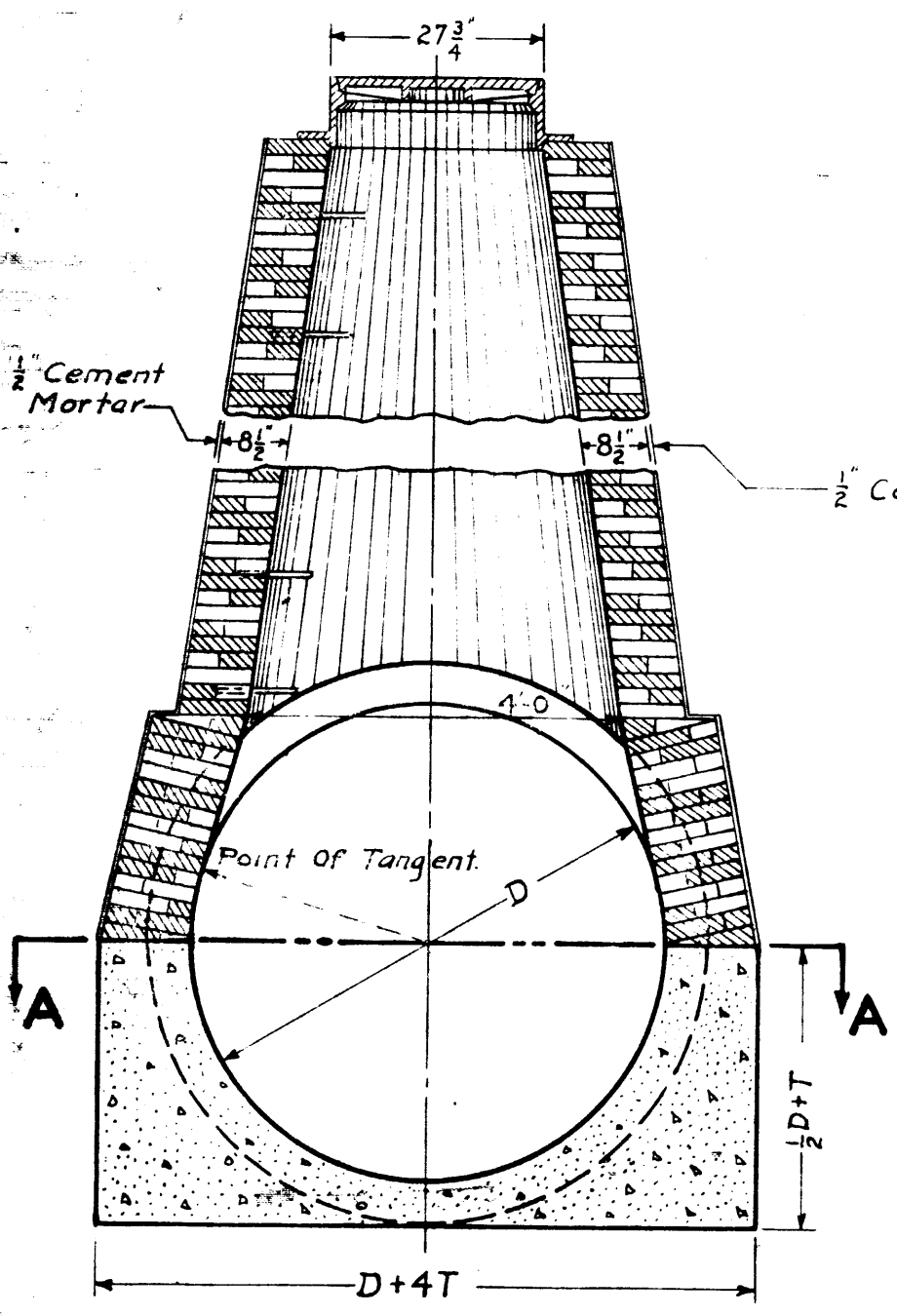
DROP MANHOLE

NOTES

Standard manhole frames and covers are to be used. See Drawing 2-928. Sewer pipes to be either vitrified clay or reinforced concrete.

SPECIFICATION

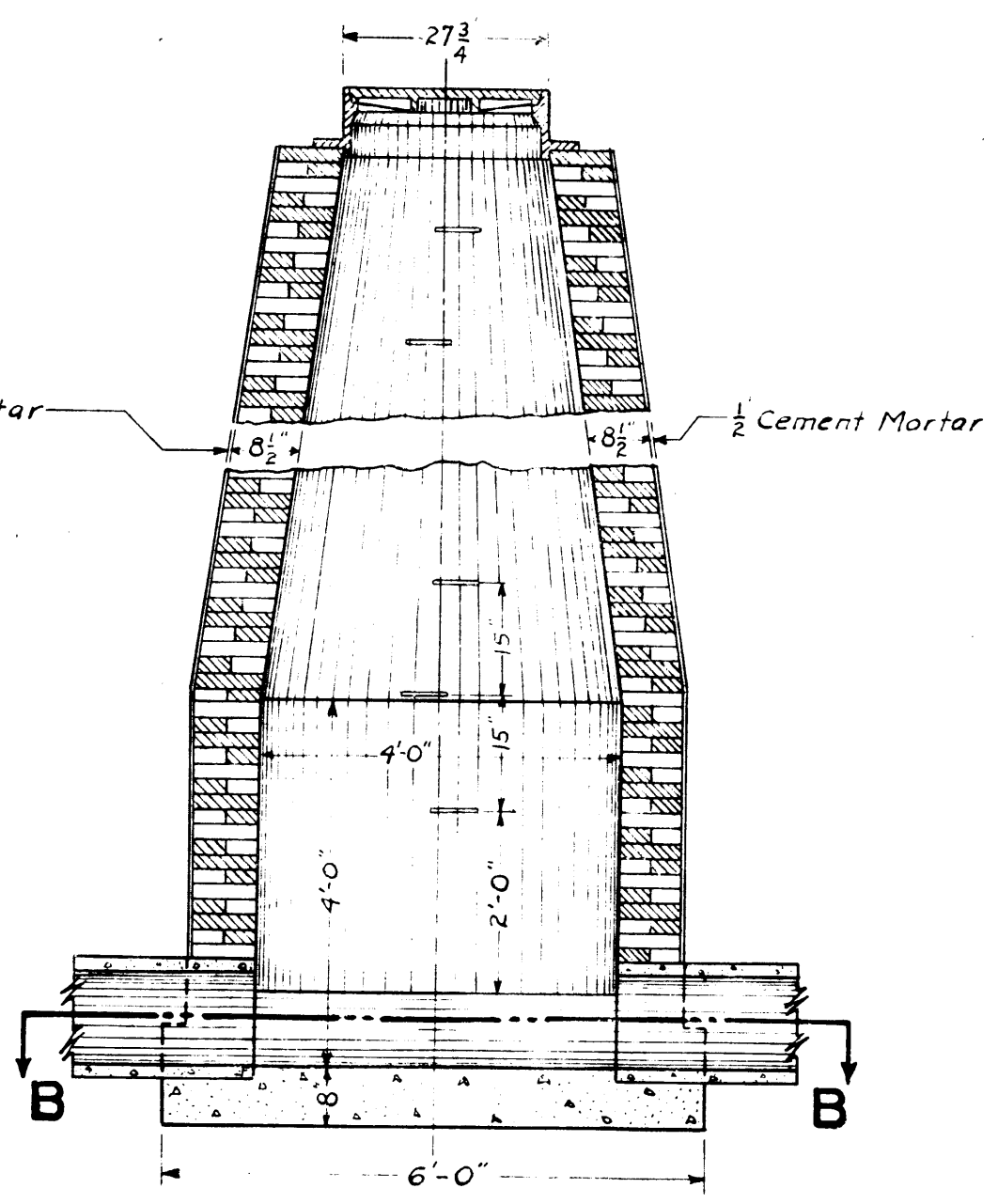
Manholes shall be constructed of brick and plastered on the outside with cement mortar as shown. Excavate for concrete base to the grade no fill will be permitted. Concrete shall consist of 1 part cement, 1 1/2 parts sand and 3 parts gravel (1 1/2 : 3). Reinforcing shall be in accordance with the connecting sewer size. See equivalent See drawing 2-928. Reinforced Concrete Pipe. Aggregate and reinforcing shall conform to the standard specifications for concrete sewer pipe cast in place. Section 815 of the Wisconsin Highway Specifications. Coarse aggregate shall be size 1.



OVERSIZE MANHOLE

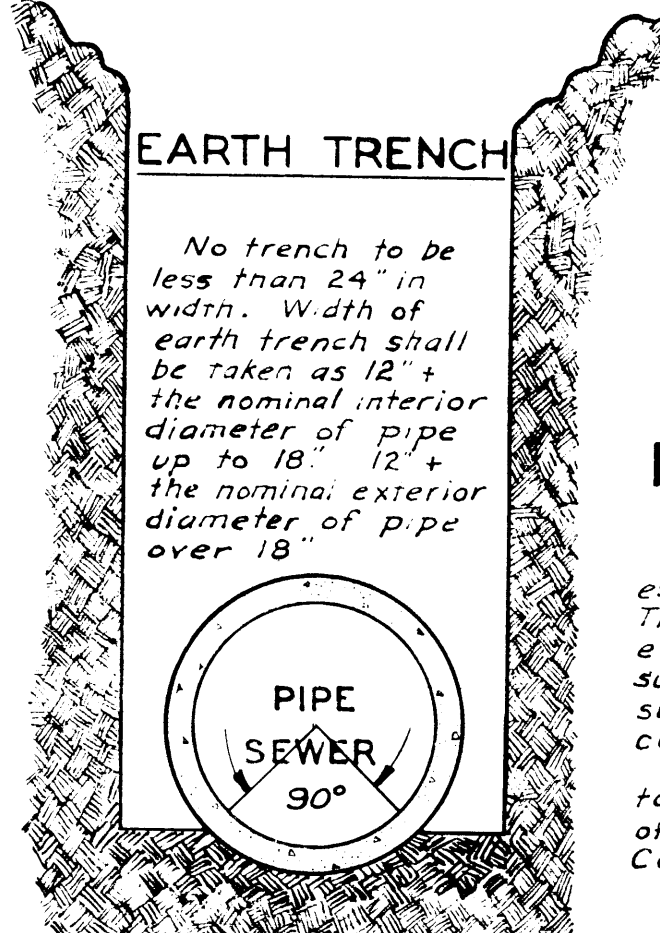
For Sewers More Than Four Feet In Diameter.

D = Inside Dia. of Pipe
T = Thickness of Pipe Wall



STANDARD MANHOLE

For Sewers Four Feet Or Less In Diameter.



EARTH TRENCH

No trench to be less than 24" in width. Width of earth trench shall be taken as 12" the nominal interior diameter of pipe up to 18" 12" the nominal exterior diameter of pipe over 18".

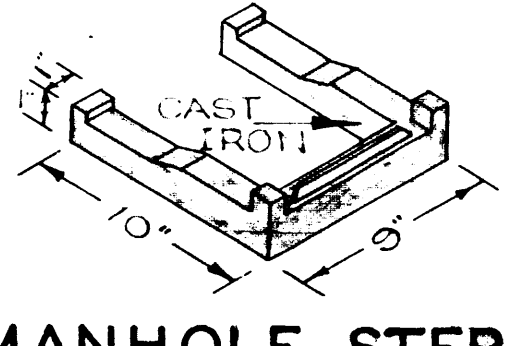
BOTTOM QUADRANT OF PIPE IN CONTACT WITH UNDISTURBED TRENCH BOTTOM

SECTIONS OF EARTH AND ROCK TRENCHES FOR PIPE SEWERS

Quantities allowed will be estimated from these sections. The calculated trench will extend upward to the natural surface in filling and to sub-grade or line of slopes in cutting. All work shall conform to the Rules and Regulations of the Wisconsin Industrial Commission.

ROCK TRENCH

Above rock the earth trench shall vary as and be equal for the surface width of rock trench. The bottom width of trench 6" below grade of sewer shall be 12" the nominal interior diameter of sewer. No trench will be considered as less than 24" in bottom width. From the bottom line of trench rock excavation shall be calculated as sloped on a 1:6 one to six slope until surface of rock is reached.



MANHOLE STEP

CITY OF SUPERIOR
ENGINEERING DEPARTMENT
STANDARD MANHOLES & TRENCHES FOR PIPE SEWERS

L. W. PELESKE CITY ENGINEER

SCALE - 1/2" = 1 FT.

DR'N. BY	DES.	APP.
N.E.L.	L.M.P.	APR 1959