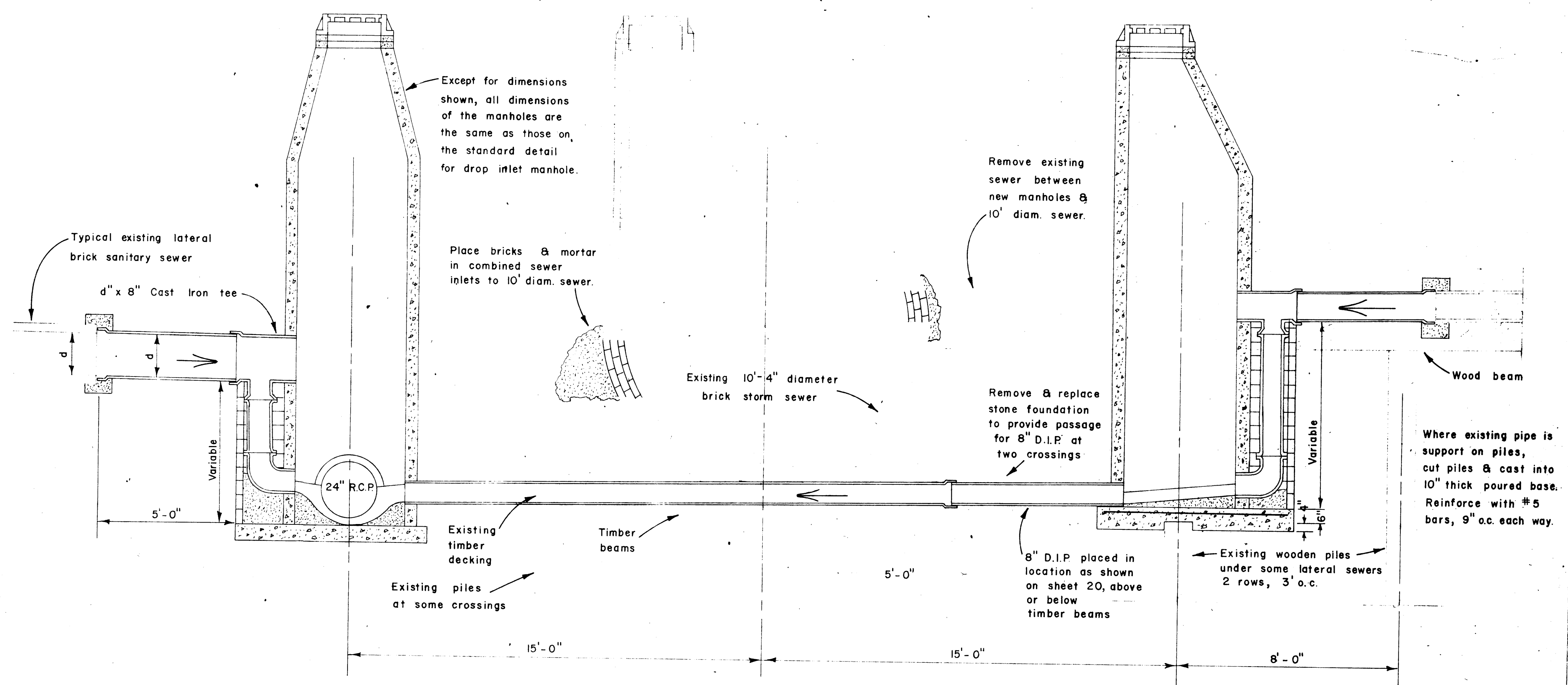
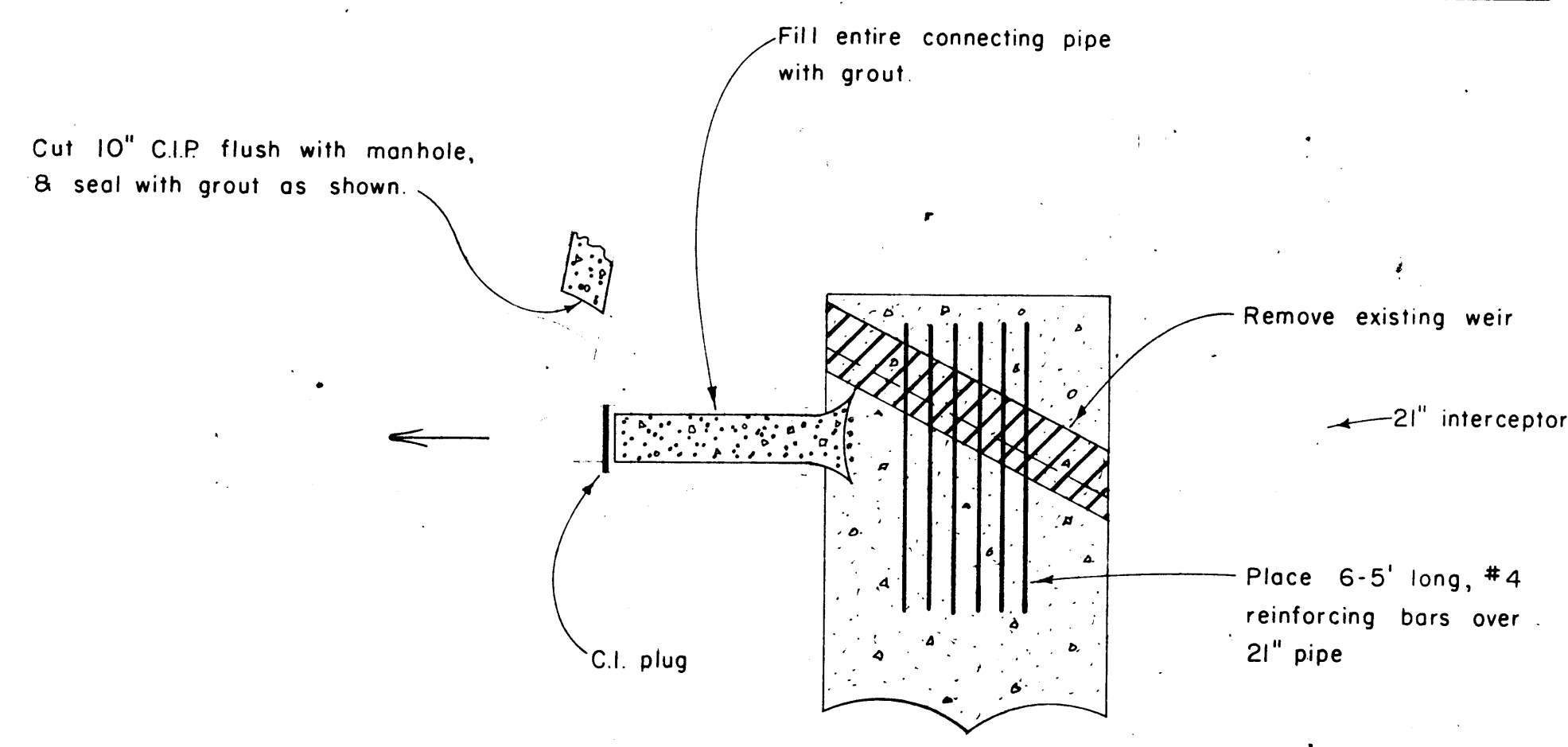


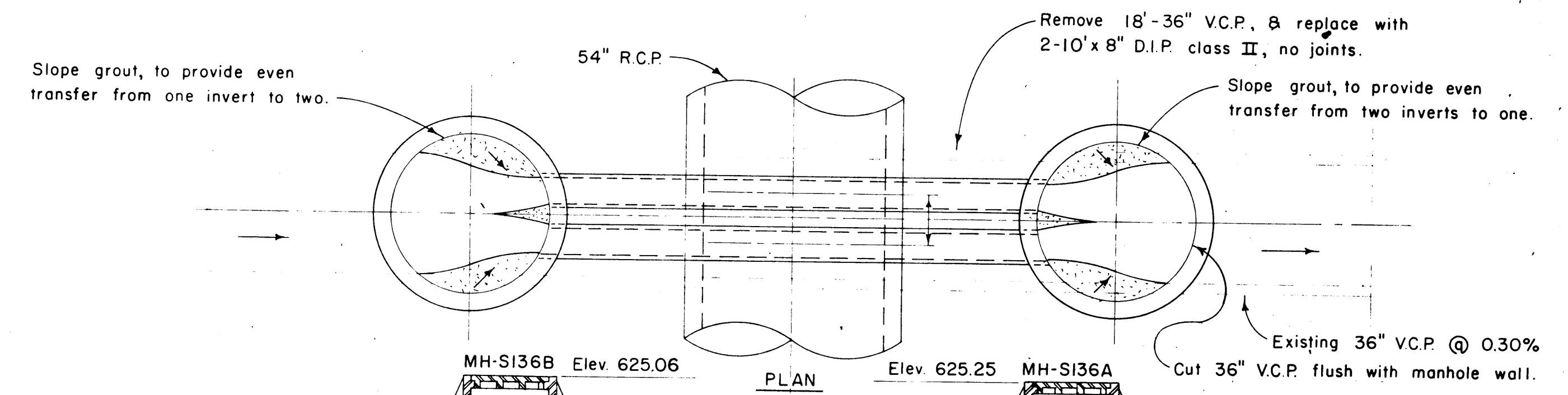
LATERAL CROSSING of 5th AVE. (K' St.) STORM SEWER @ MH-S236 Scale: 3/8"=1'-0"



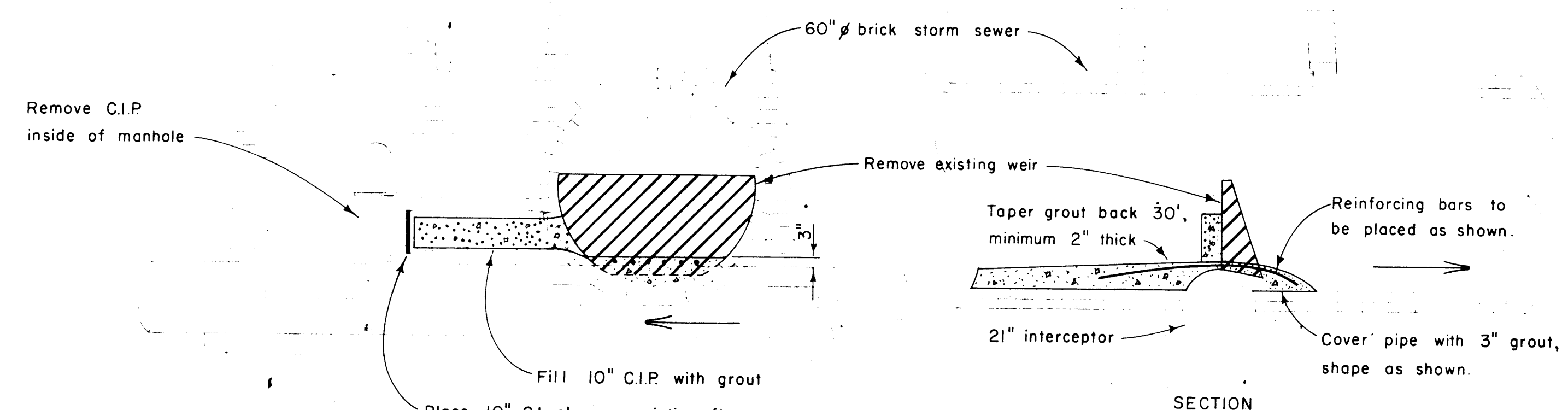
LATERAL CROSSINGS of 5th AVE. (K' St.) STORM SEWER Scale: 3/8"=1'-0"



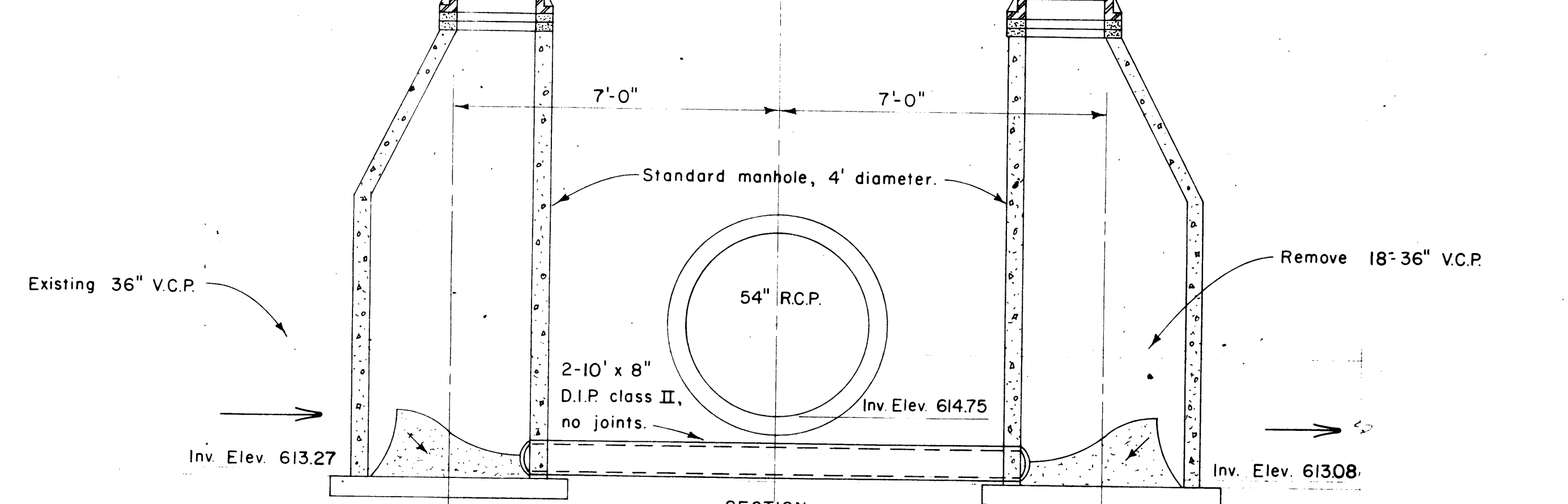
PLAN



PLAN



SECTION



SECTION

SEWER MODIFICATIONS (14th AVE. E. @ E. 2nd ST.) Scale: 3/8"=1'-0"

MH-S136A & MH-S136B (E. 9th ST. @ 6th AVE. E.) Scale: 3/8"=1'-0"

<small>DESIGNER CERTIFY THAT THIS PLAN WAS PREPARED BY ME OR UNDER MY SUPERVISION AND THAT I AM A LICENSED PROFESSIONAL ENGINEER AND THAT I AM A MEMBER OF THE STATE OF WISCONSIN.</small>				SURVEY M.S. DATE	M.S. T.G.B. M.S. G.R.C.	REVISIONS RECORD PLAN 11/30/77 HBR	BONESTROO, ROSENE, ANDERLIK & ASSOC., INC. ST. PAUL, MINNESOTA	SUPERIOR, WISCONSIN DATE: MAY 1, 1974 COMM 6888 I	DISTRICT 3A-CENTRAL PARK SHEET 3/29
--	--	--	--	------------------------	----------------------------------	--	--	--	--