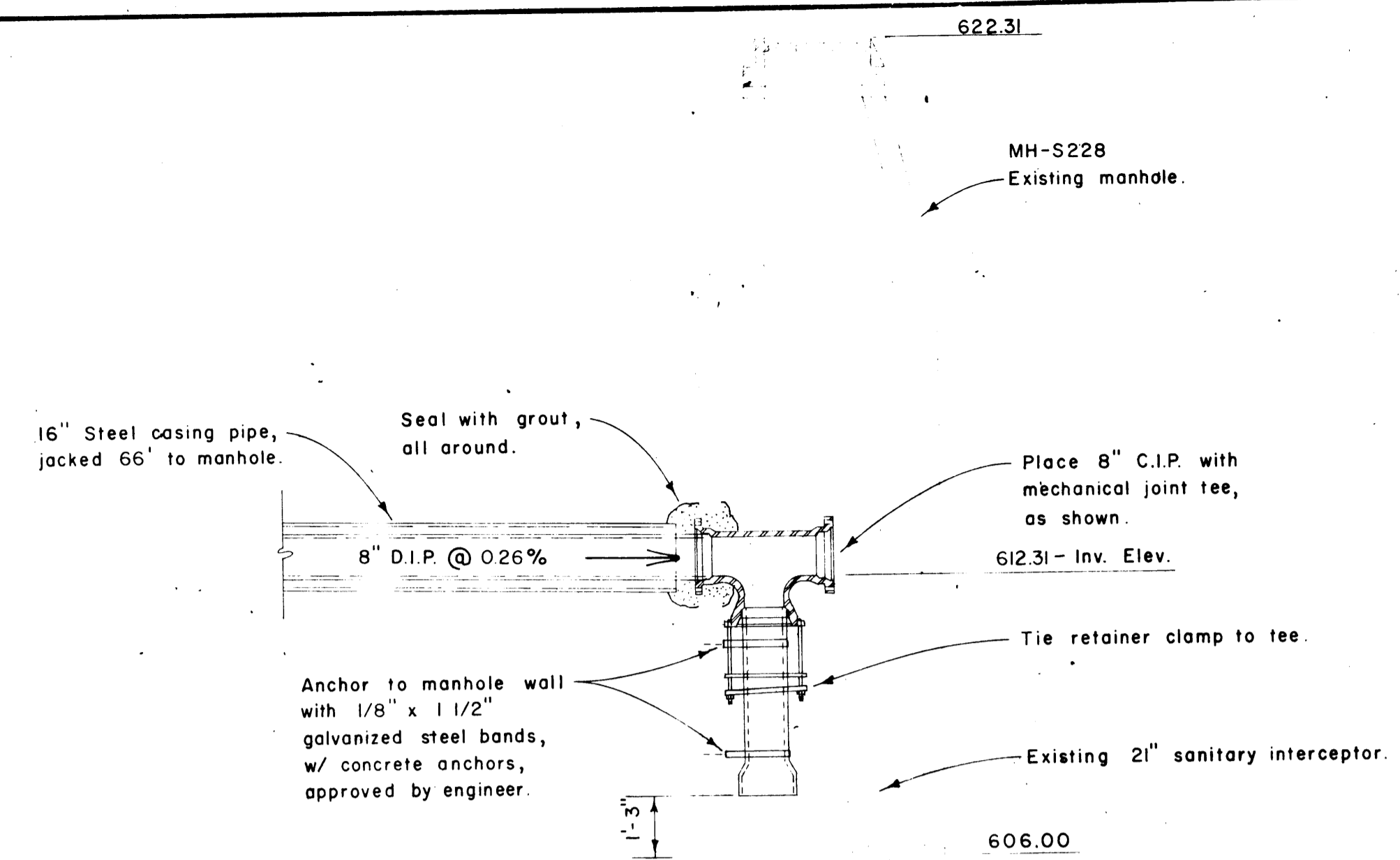
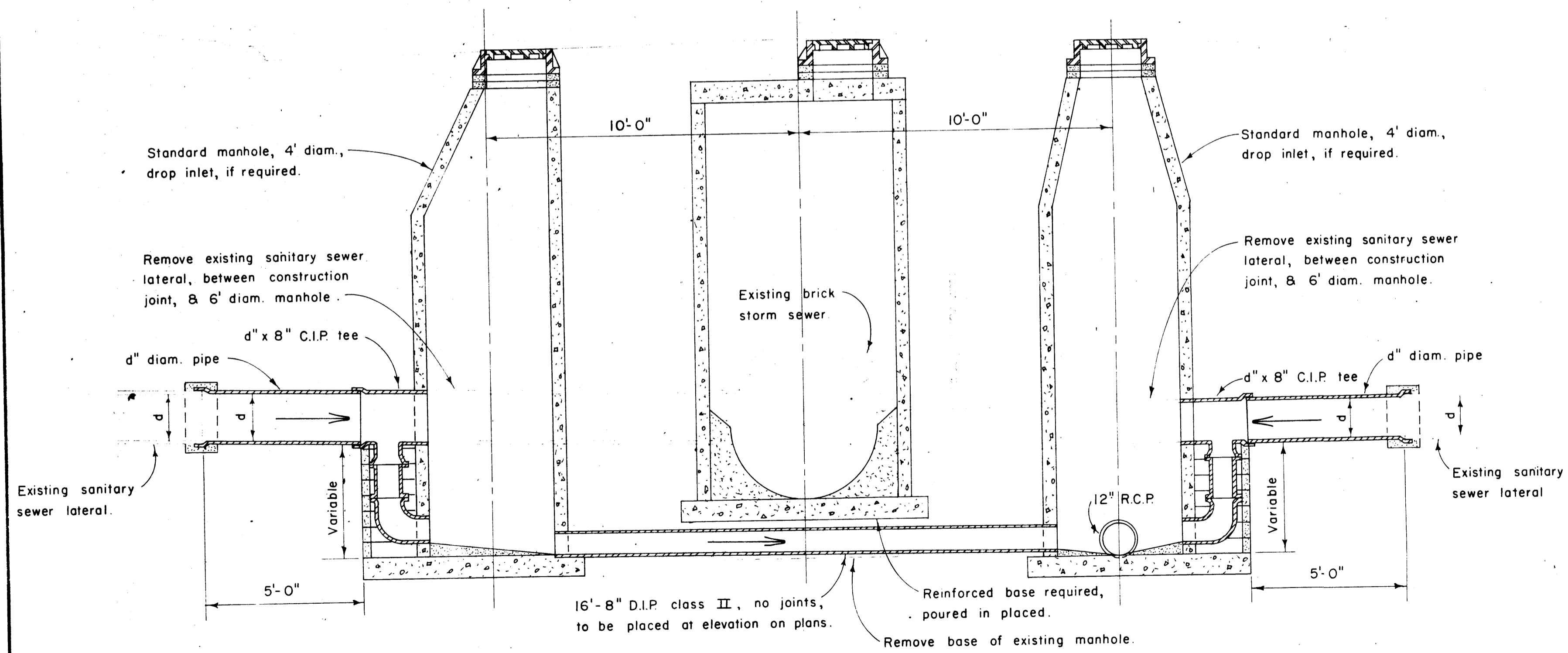


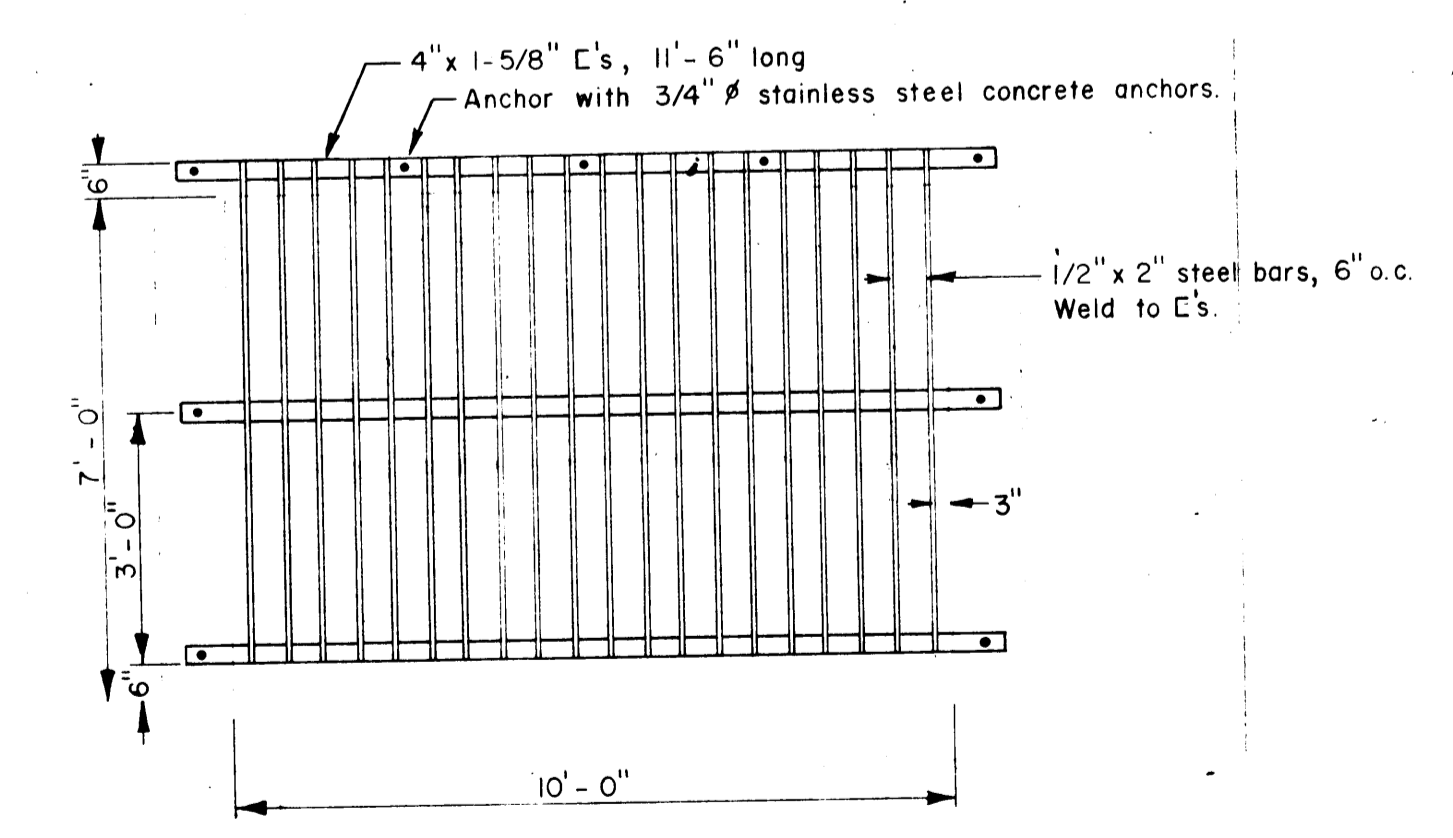
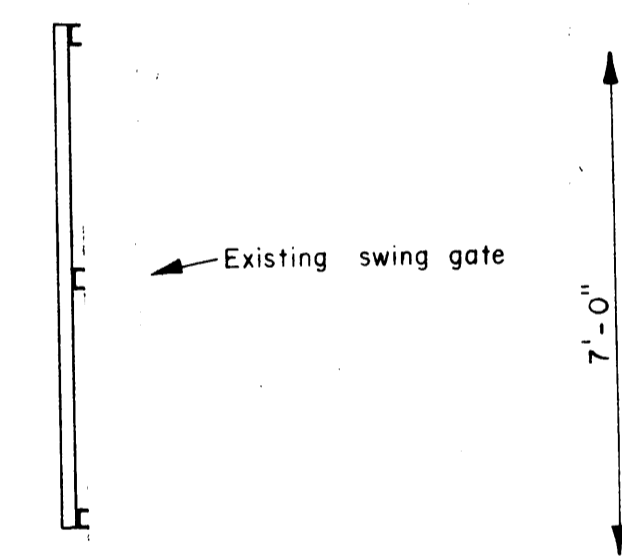
PLAN



INSIDE DROP MANHOLE (E. 2nd ST. @ 12th AVE. E.)  
Scale: 3/8"=1'-0"



SECTION



INLET GRATE FOR  
EXISTING 10' DIAM. SEWER ON 5th Ave. E.  
Scale: 3/8"=1'-0"

LATERAL CROSSINGS of 15th AVE. E. STORM SEWER  
Scale: 3/8"=1'-0"

I HEREBY CERTIFY THAT THIS PLAN WAS PREPARED BY ME OR UNDER MY CLOSE SUPERVISION AND THAT I AM A REGISTERED PROFESSIONAL ENGINEER UNDER THE LAWS OF THE STATE OF WISCONSIN.

SURVEY	MLS	REVISIONS
DRAWN	TGB	RECORD PLAN
DESIGN	MLS	11/30/77 HBR
APPROVED	GRC	

BONESTROO, ROSENE, ANDERLIK & ASSOC., INC.  
ST. PAUL, MINNESOTA

SUPERIOR, WISCONSIN  
DATE: MAY 1, 1974 COMM 6888 I

DISTRICT 3A-CENTRAL PARK