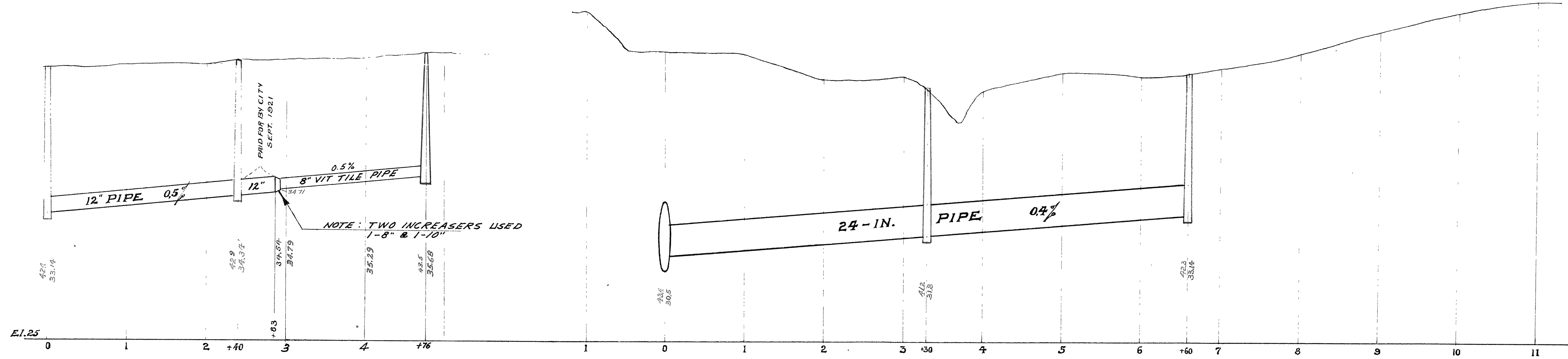


Horizontal Scale: lin. = 80ft.
 Vertical Scale: lin. = 4ft.
CONTRACT No 1503
 Contract let Dec. 9 - 1915
 Contract completed Jan. 15 - 1916
 Smith Bros & Co. Contractor
 And. Solin Inspector
 E. B. Banks City Engineer



38-12