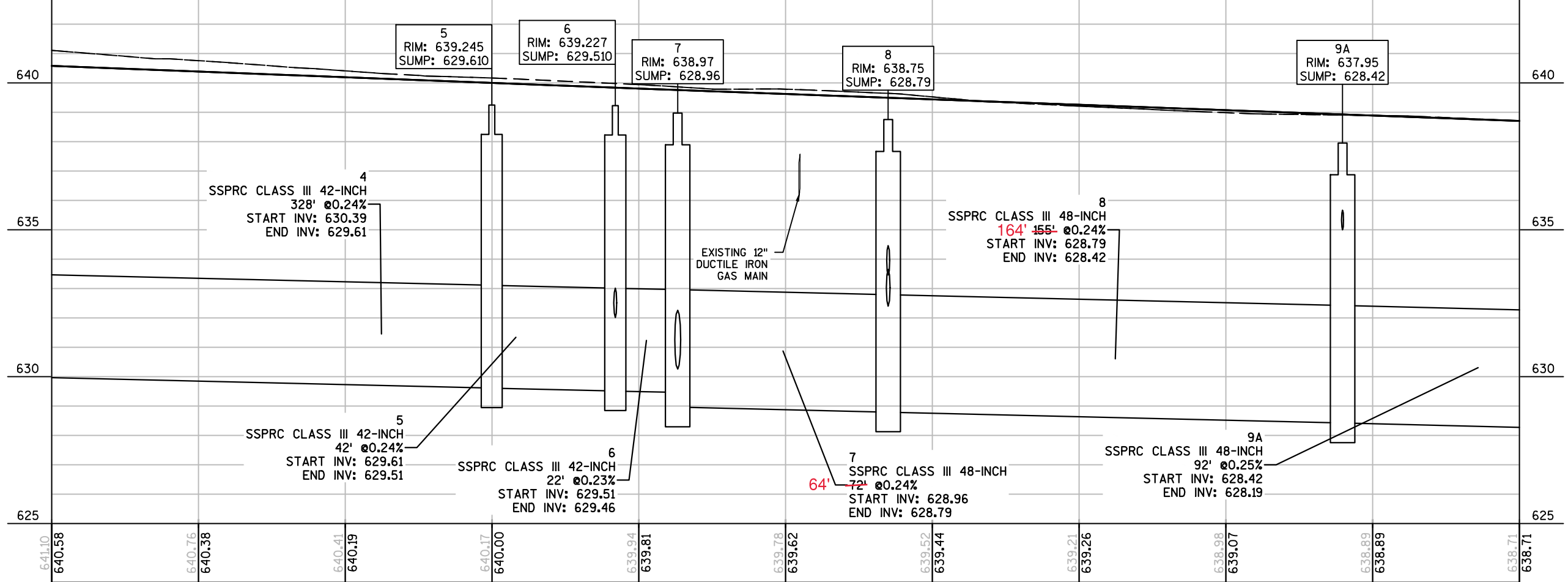
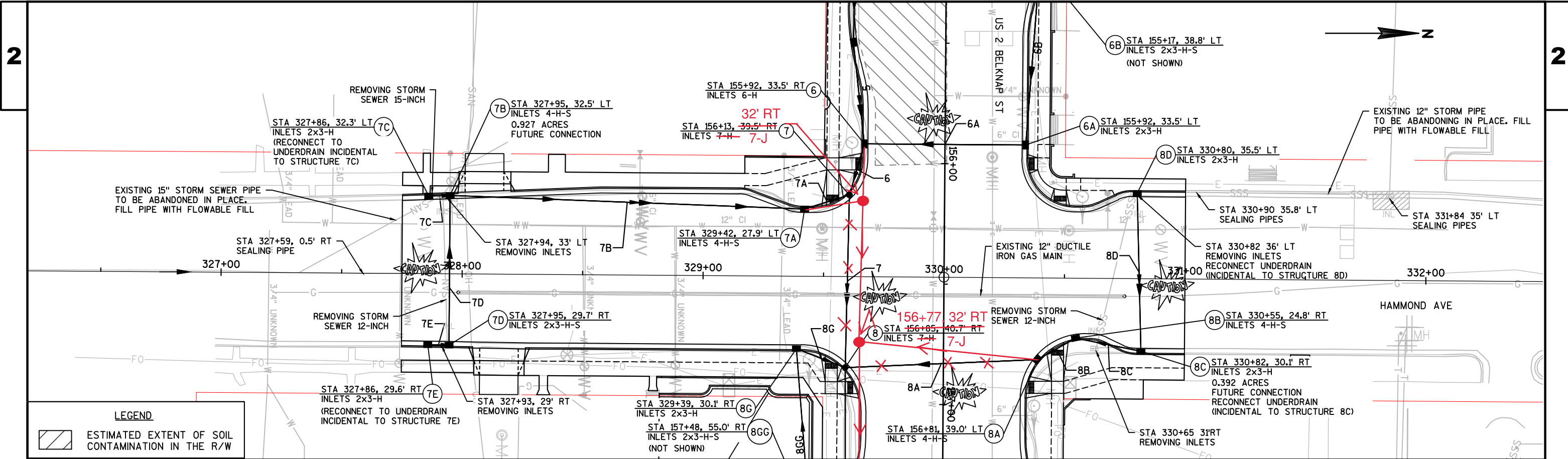
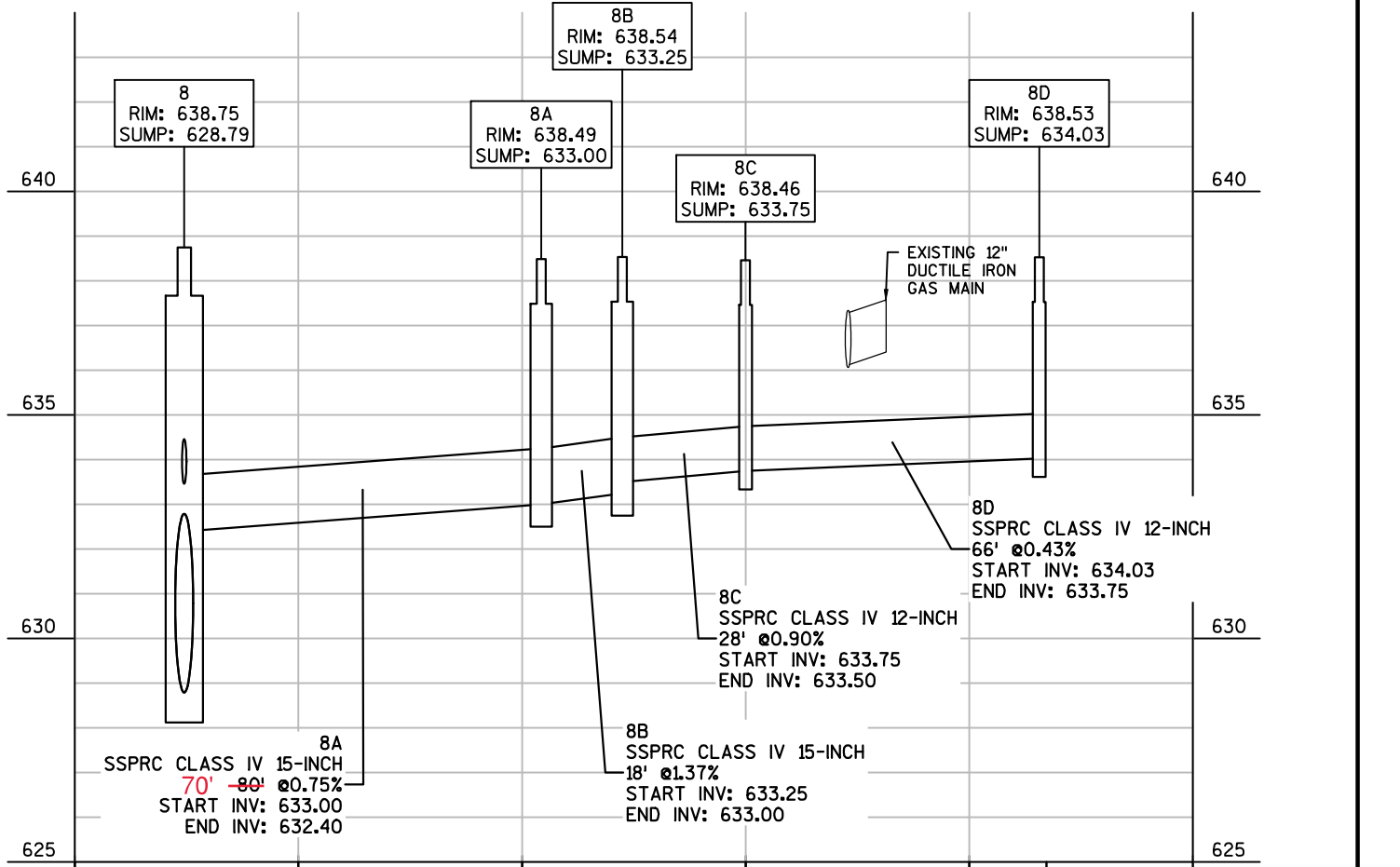
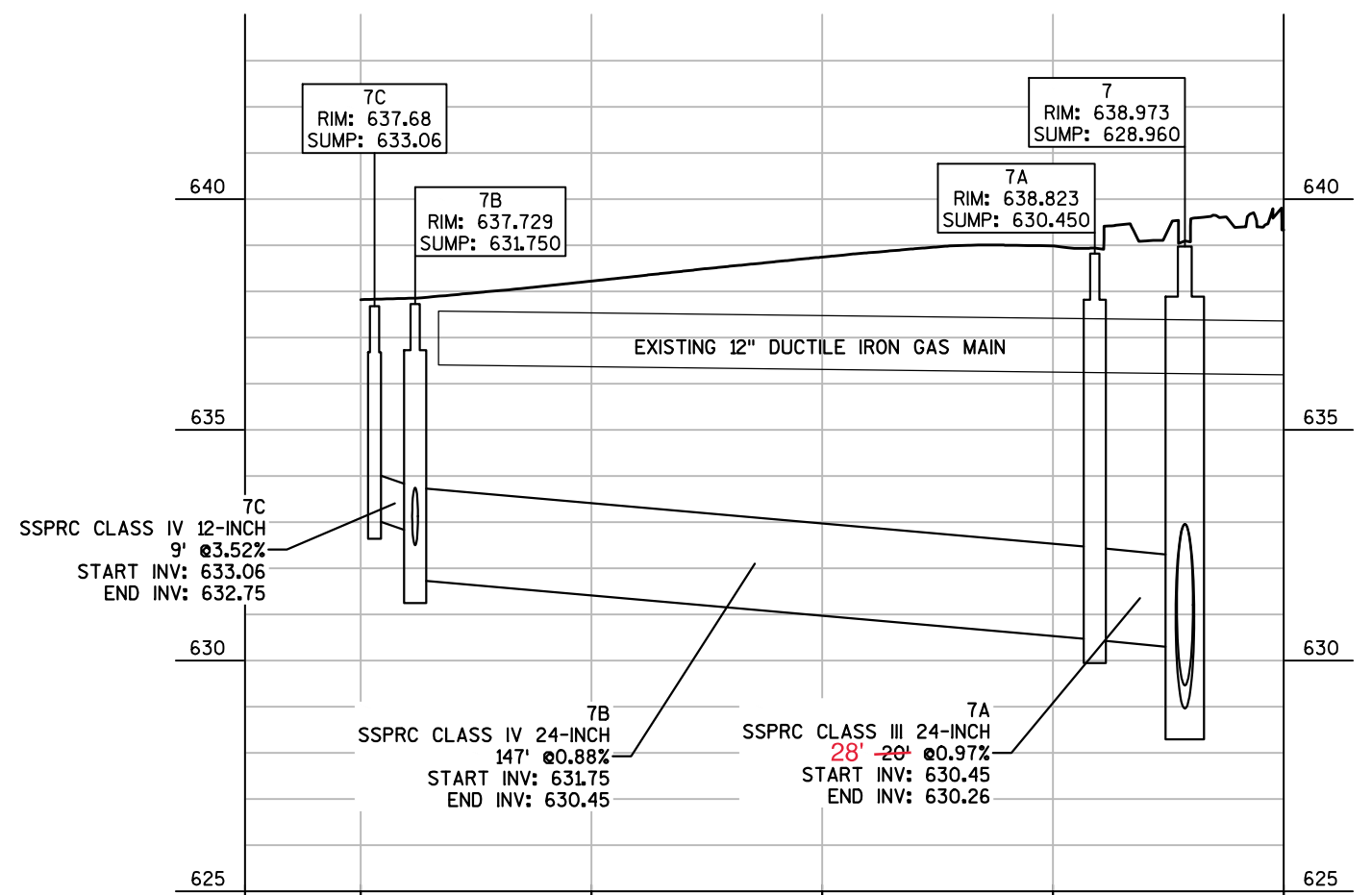


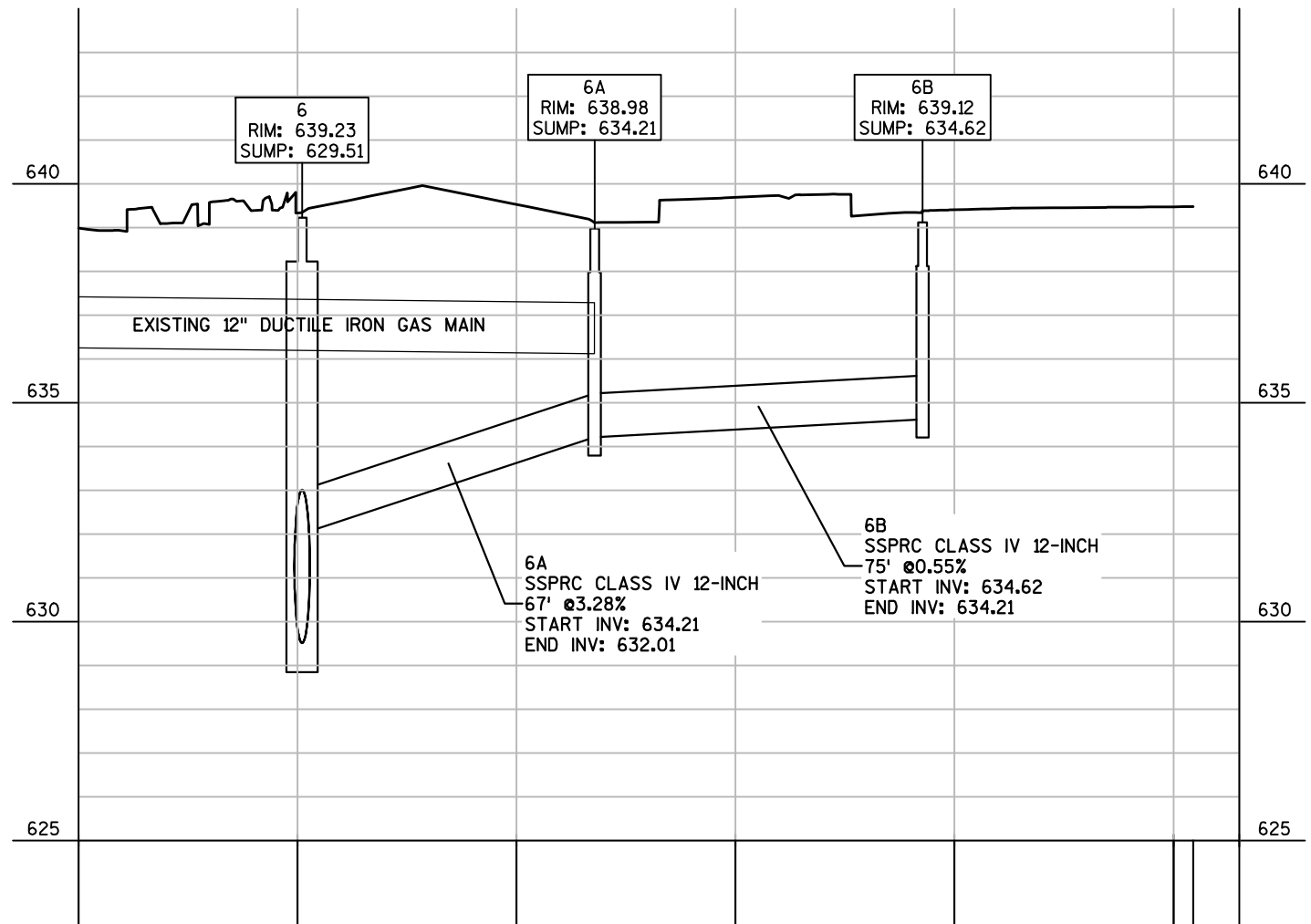
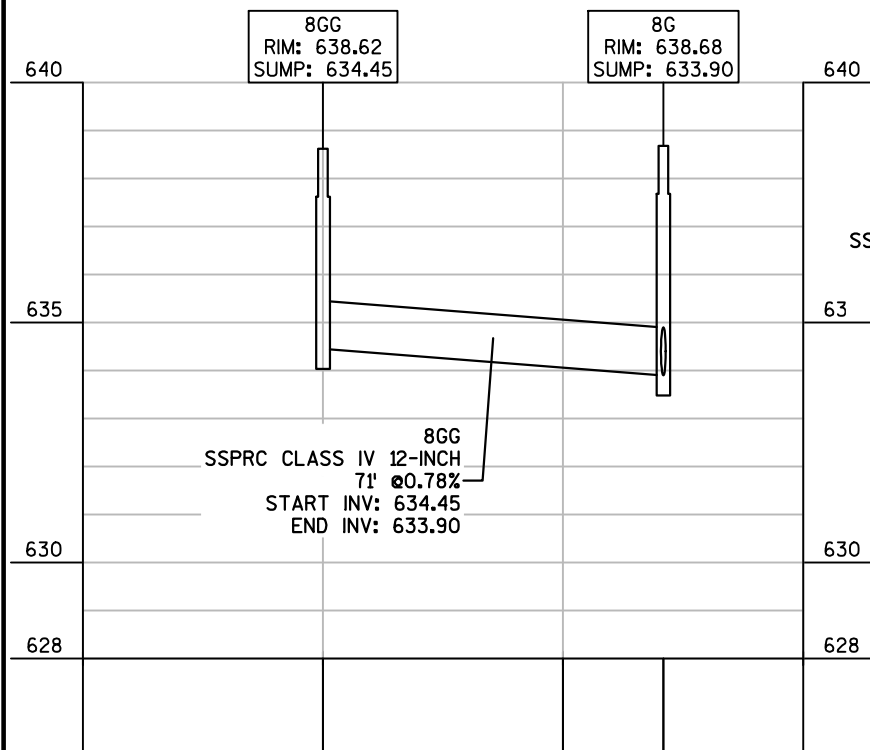
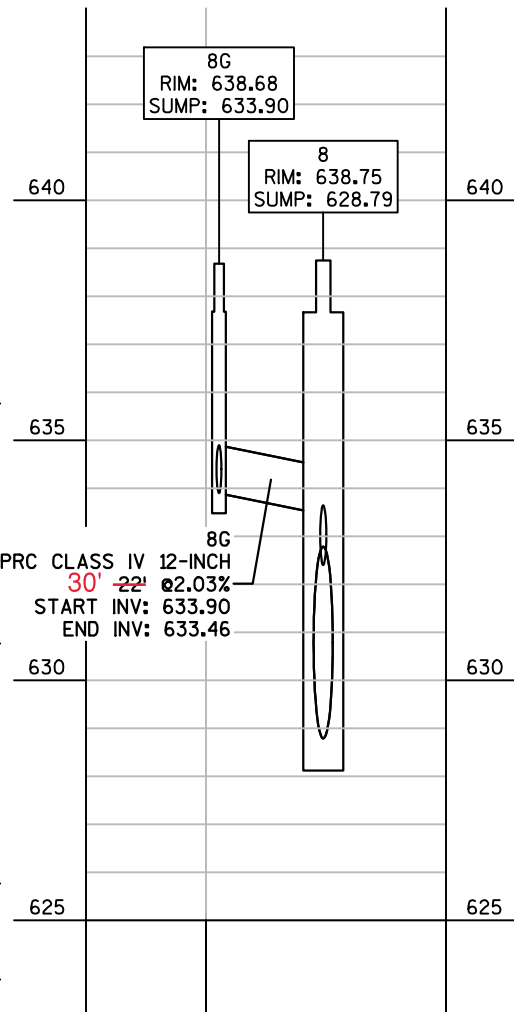
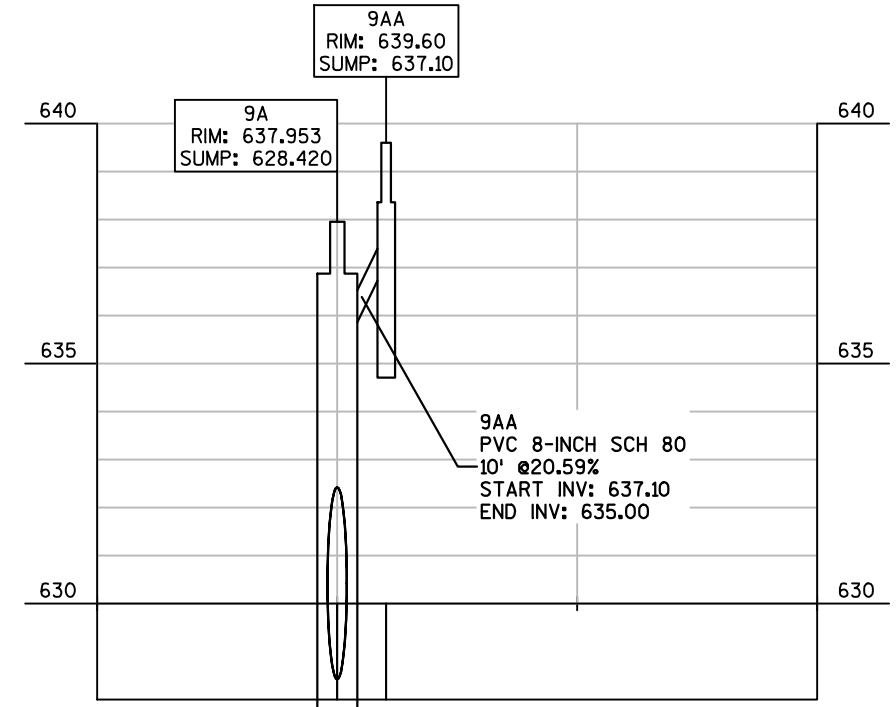
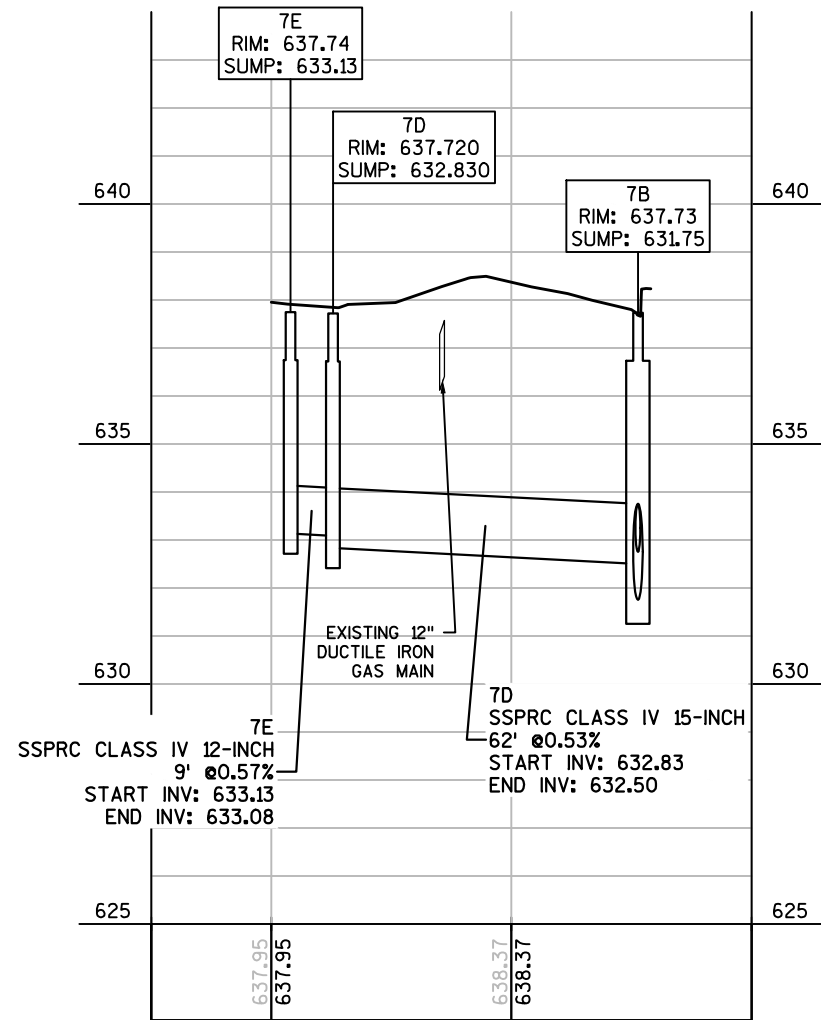
**LEGEND**  
 ESTIMATED EXTENT OF SOIL CONTAMINATION IN THE R/W

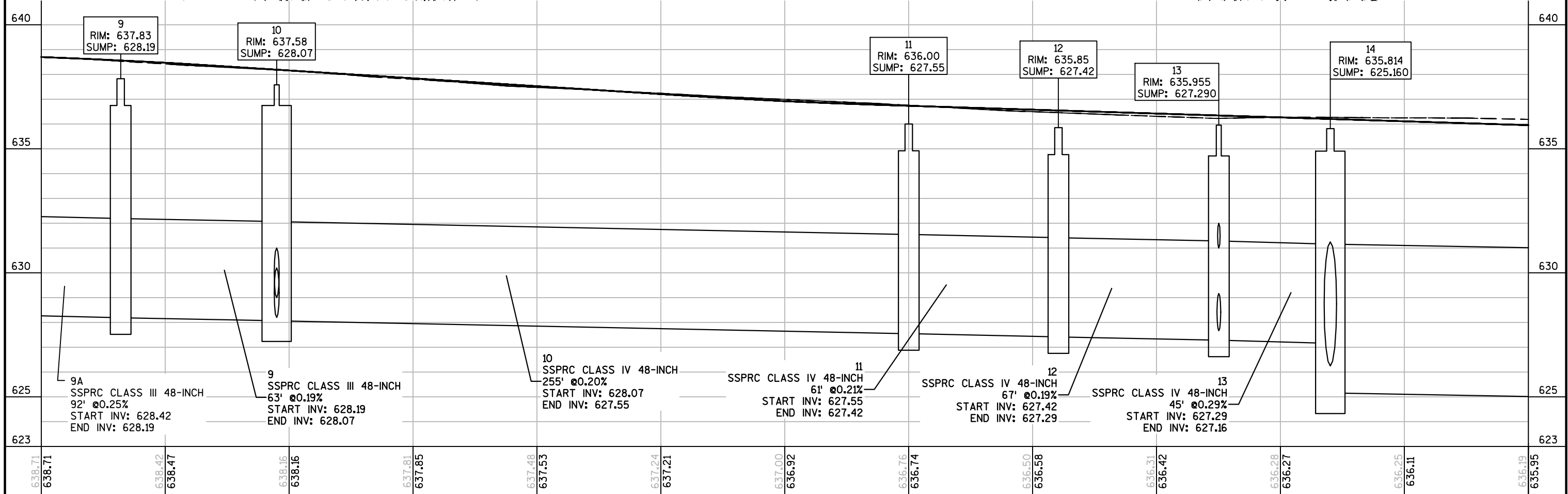
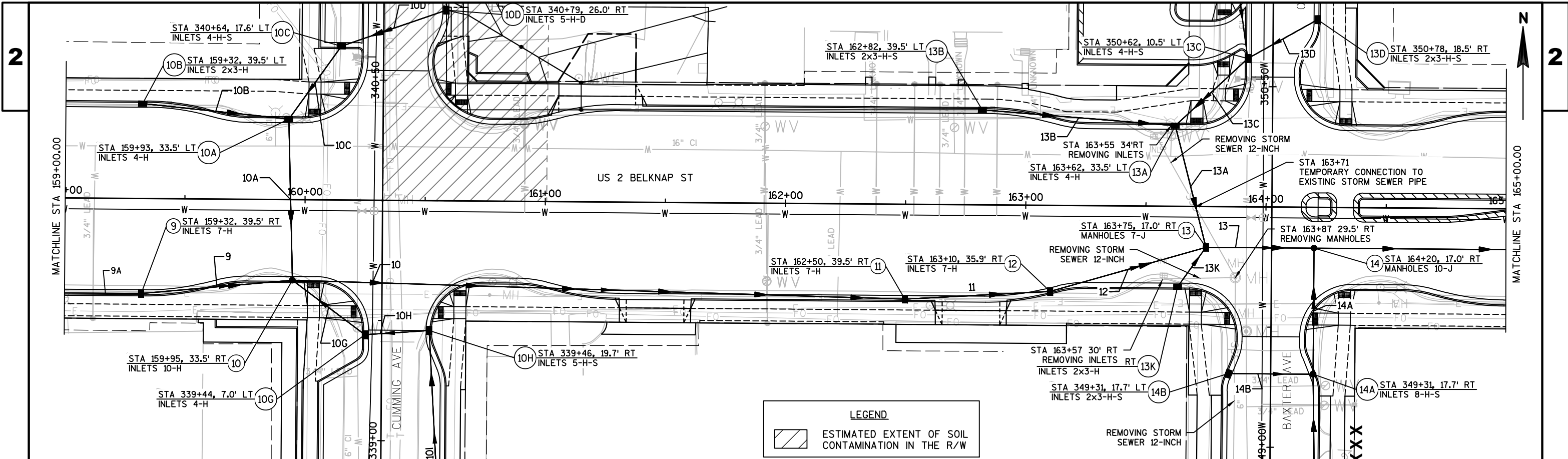




**LEGEND**  
 ESTIMATED EXTENT OF SOIL CONTAMINATION IN THE R/W







PROJECT NO: 8680-00-71      HWY: USH 2      COUNTY: DOUGLAS      STORM SEWER      SHEET 102