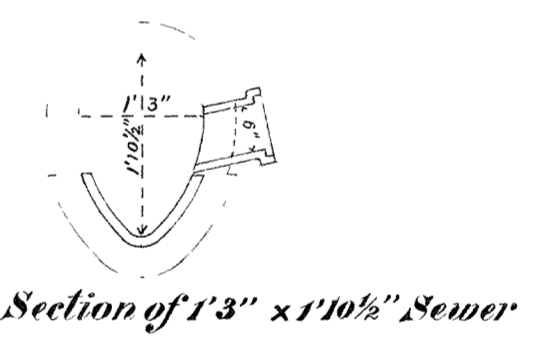
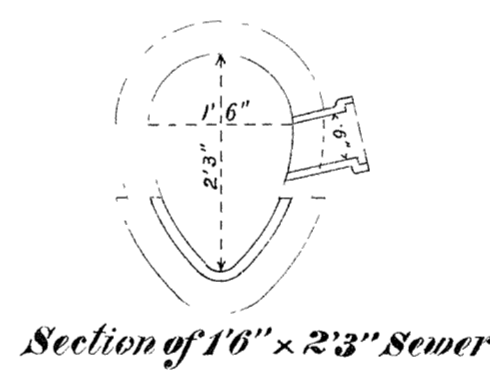
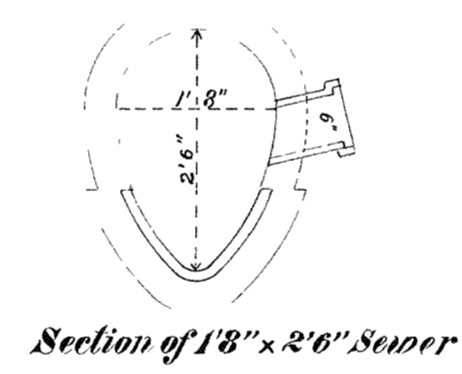
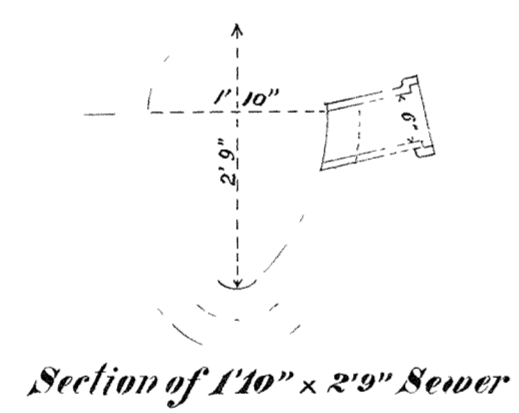
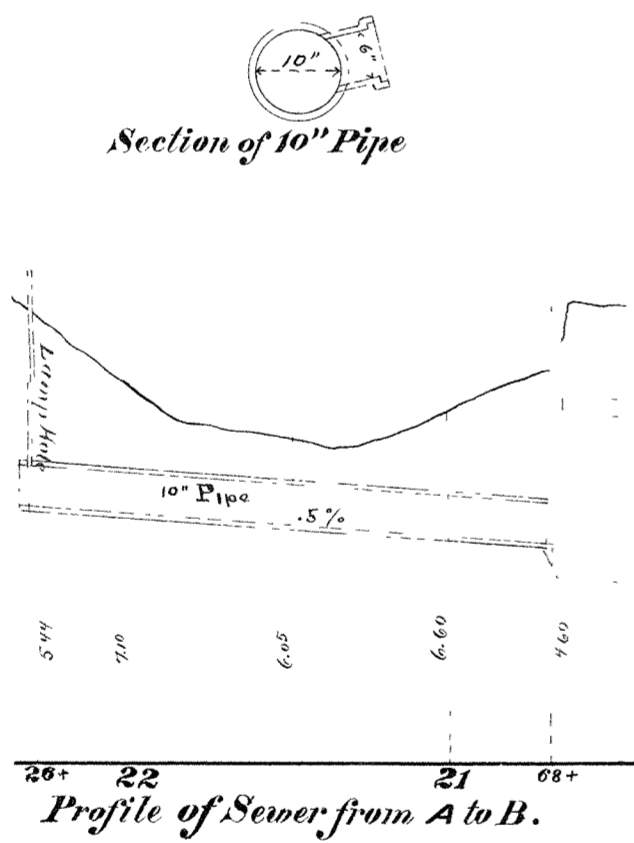


Note - Connections from 24+27 to 30+00 are not reliable.



CITY OF SUPERIOR SEWER PLAN

Contract let April 4, 1890
 completed Apr. 28, 1891
 Kirkland & Starkey, Contractor
 M. Conroy & P.J. Murtaugh, Inspectors
 E.B. Banks, City Engineer

Scale: Horizontal: 1 inch to 60 feet
 Vertical: 1" = 2'
 Section: 1" = 2'

