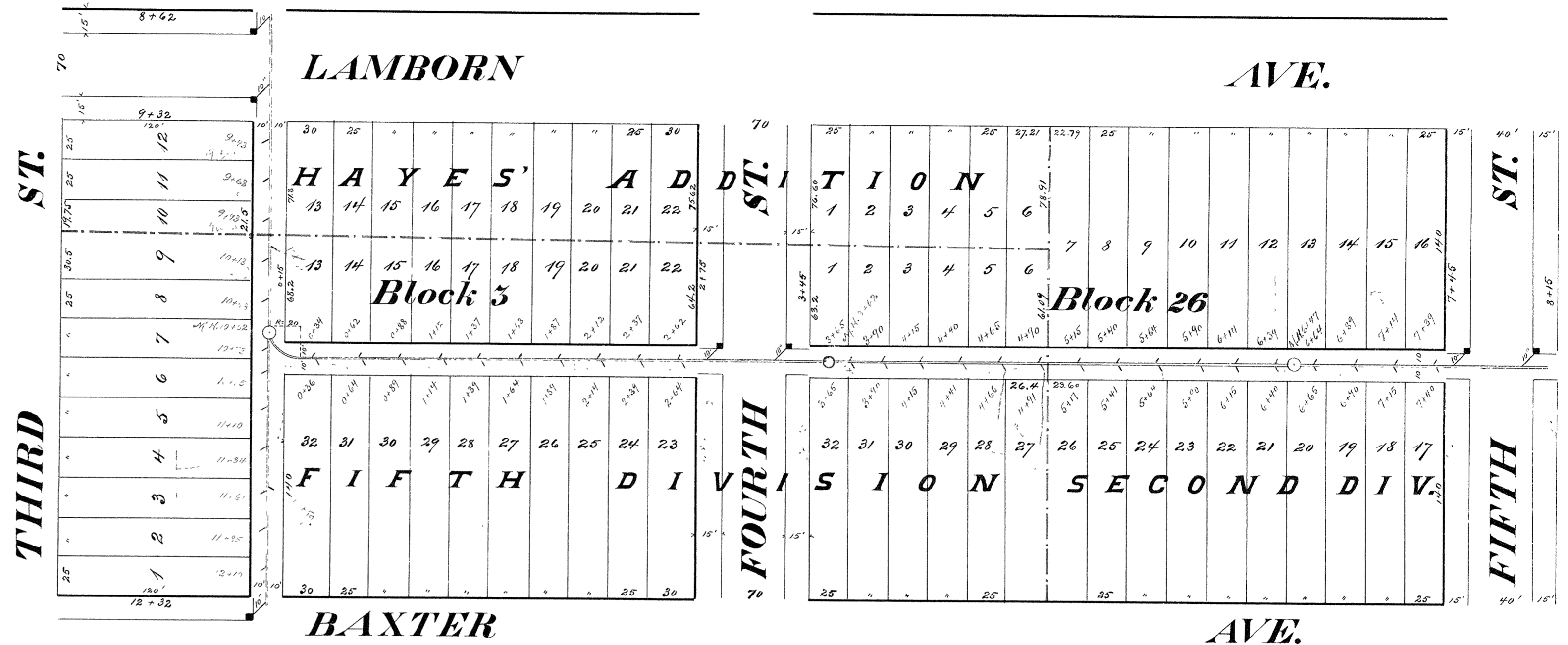


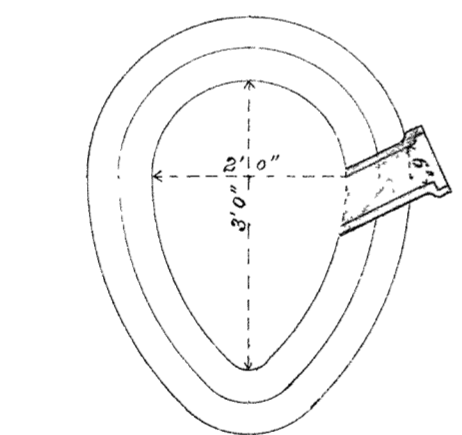
CITY OF SUPERIOR

SEWER PLAN

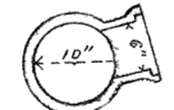
Contract let Sept. 1, 1890
 Completed Dec. 1, 1890
 Joseph Wolf, Contractor
 I. C. Grant, Inspector
 E. B. Banks, City Engineer



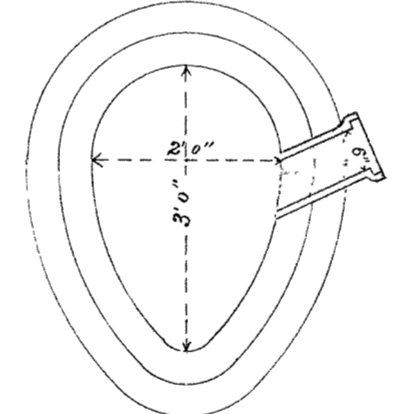
Note: Connections in Block 26 are located 5ft too far ahead. Connection figures are all right.



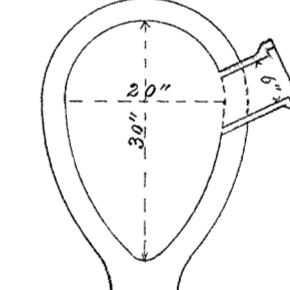
Section of 2' x 3' Sewer



Section of 10' Pipe



Section of 2' x 3' Sewer



Section of 20' x 30' pipe

Scale: { Horizontal: 1 inch = 60 feet
 Vertical: 1 " = 4 "
 Section 1 " = 2 "

