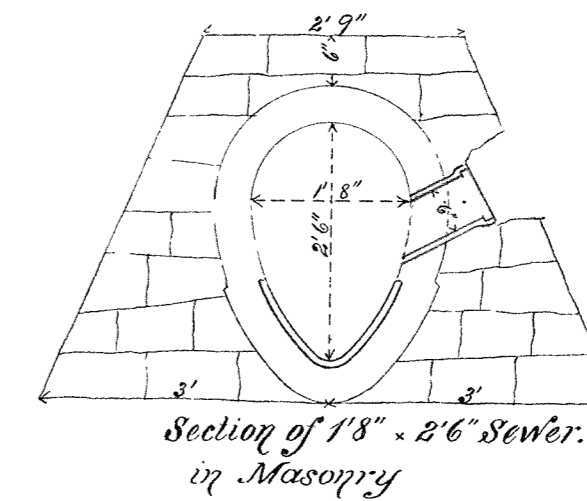
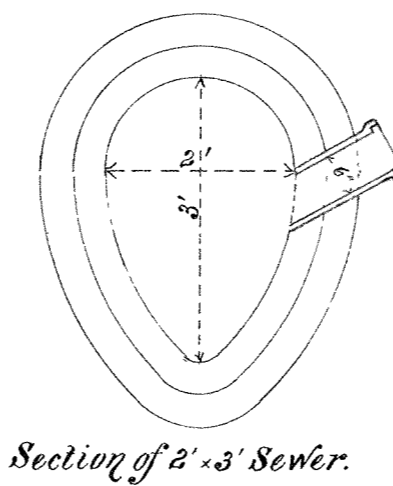
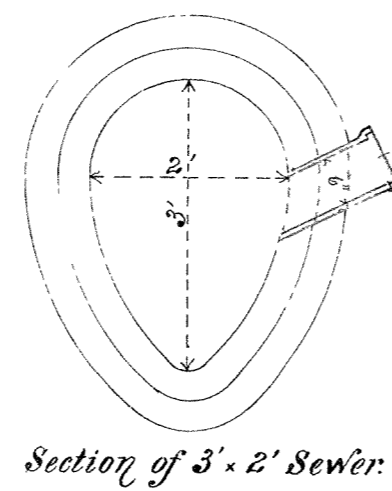
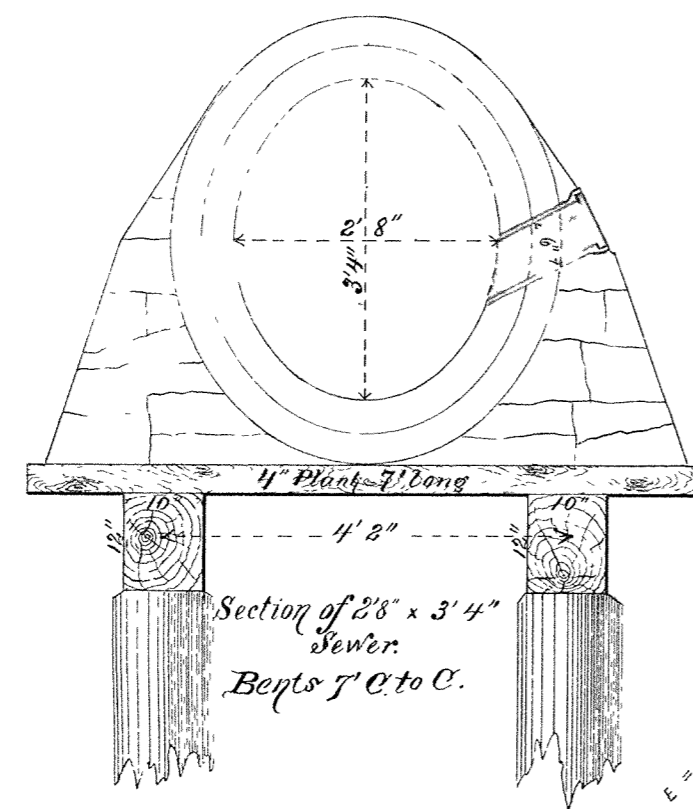
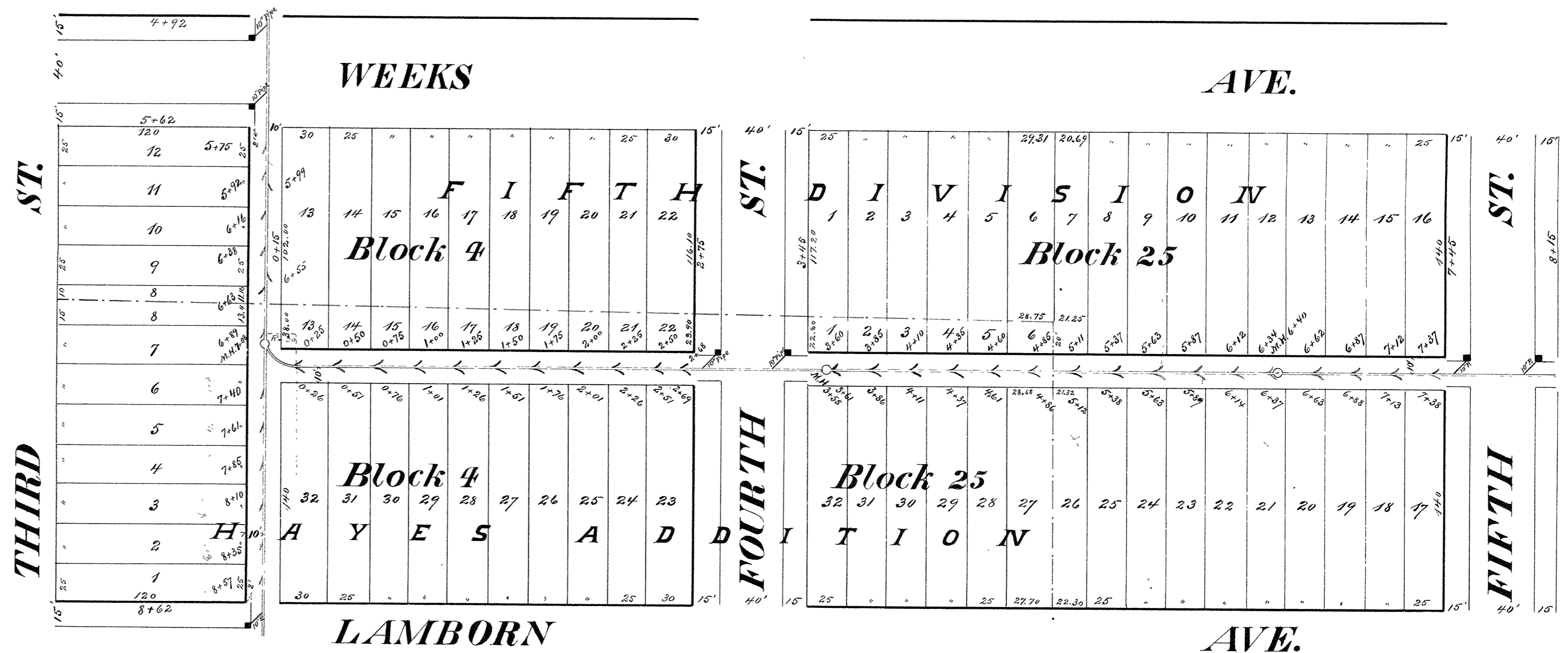


# CITY OF SUPERIOR SEWER PLAN

Contract let Sept. 1, 1890  
completed Dec. 1, 1890  
Joseph Wolf, Contractor  
B.M. Colkins & I.C. Grant, Inspectors.  
L.B. Banks, City Engineer



Scale: Horizontal 1 in = 60 feet  
Vertical 1" = 4'  
Section 1" = 2'

