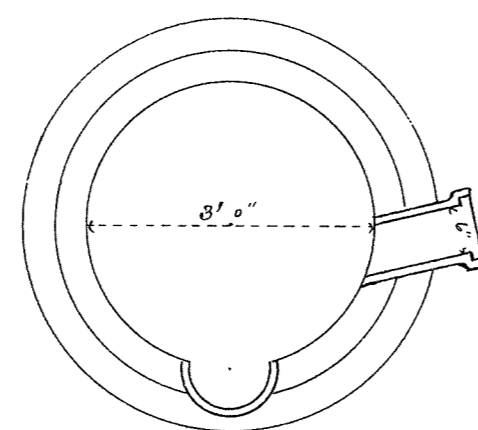
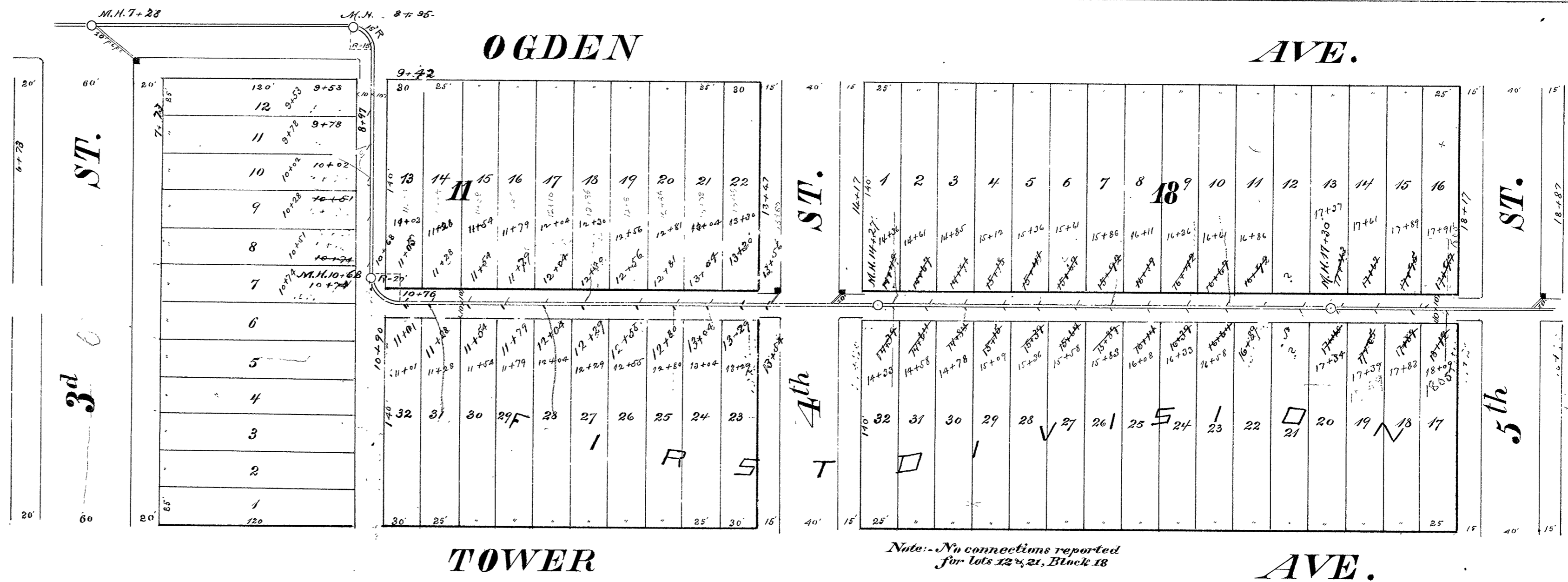
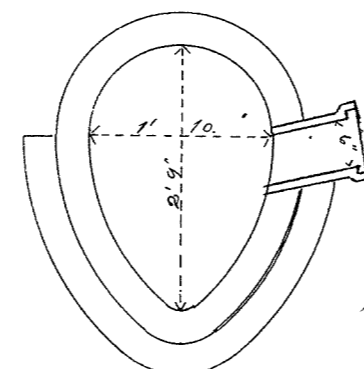


CITY OF SUPERIOR SEWER PLAN

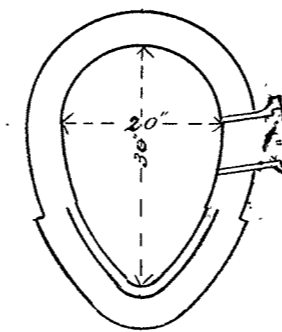
Contract let Apr. 4, 1890
Completed Oct. 1, 1890
Kirkland & Starker, Contractor
J. N. Little & S. Sturgeon, Inspectors
E. B. Banks, City Engineer.



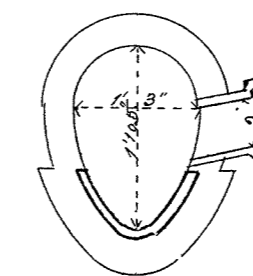
Section of 3" Sewer



Section of 1'10" x 2'9" Sewer



Section of 20" x 30" Sewer



Section of 13" x 10 1/2" Sewer

Scale: Horizontal 60 feet to 1 inch
Vertical 4 " 1 "
Section 2 " 1 "

Note: Profile Stations begins with 32+80 c&s 0+0.
Plan Stations 32+70 "

