

TYPE I FRAME/CHIMNEY JOINT REQUIRED ON ALL SANITARY MANHOLES UNLESS OTHERWISE SPECIFIED. SONNEBORN HLM-5000-R ELASTOMERIC WATERPROOFING SEALER APPLIED TO EXTERIOR AND CRETEX INTERIOR CHIMNEY SEAL OR APPROVED EQUAL.

EXTEND CRUSHED STONE CHIPS TO 6" ABOVE TOP OF PIPE

4" MIN. CRUSHED STONE CHIPS BELOW PRECAST BASE.

FLAT TOP SLAB MAY ONLY BE USED FOR 5'-0" AND 6'-0" DIA. MANHOLES AND WITH PERMISSION OF PROJECT ENGINEER OR WHERE SHOWN ON THE PLANS.

ADJUST FRAME TO GRADE WITH CONCRETE RINGS OF VARIABLE THICKNESS, MAXIMUM RING HEIGHT = 6", MINIMUM RING HEIGHT = 2". CONCRETE RINGS SHALL BE REINFORCED WITH ONE LINE OF STEEL CENTERED WITHIN THE RING. WHERE NECESSARY, RINGS SHALL BE GROOVED TO RECEIVE STEP. THE CHIMNEY SHALL BE CONSTRUCTED SO THAT AS FEW ADJUSTING RINGS AS POSSIBLE SHALL BE USED TO BRING MANHOLE TO GRADE.

CONCRETE AND STEEL REINFORCEMENT SHALL CONFORM TO DESIGNATION C-478 REQUIREMENTS OF ASTM SPECIFICATIONS.

JOINTS SHALL BE WATERTIGHT AND SHALL BE MADE USING BUTYL RUBBER GASKETS. ALL JOINTS SHALL CONFORM TO ASTM-C443 VARIATIONS IN DIAMETER, DEFECTIVE OR DAMAGED ENDS, OR OTHER CONDITIONS WHICH, IN THE OPINION OF THE PROJECT ENGINEER, PREVENT MAKING A SATISFACTORY JOINT SHALL BE CONSIDERED CAUSE FOR REJECTION.

AREA OF CIRCUMFERENTIAL STEEL = 0.12 SQ INCH PER LINEAL FOOT.

SPACE BETWEEN PIPE AND PRECAST MANHOLE WALL TO BE FILLED WITH BRICK MORTARED IN PLACE EXCEPT THAT AN APPROVED FLEXIBLE WATERTIGHT PIPE TO MANHOLE SEAL IS REQUIRED FOR ALL FLEXIBLE SANITARY SEWER CONNECTIONS. THE ANNULAR SPACE BETWEEN THE PIPE AND MANHOLE WALL SHALL BE FILLED WITH FLEXIBLE BUTYL RUBBER GASKET MATERIAL BELOW SURFACE OF BENCH SPRINGLINE.

3" MIN. CRUSHED STONE CHIPS UNDER CONCRETE BASE.

PRECAST BASE RISER SECTION WITH A SEPERATE PRECAST BASE SLAB SHALL NOT BE CONSIDERED GENERALLY ACCEPTABLE UNDER THIS SPECIFICATION.

BENCH SLOPE (STORM MANHOLE 1" PER FOOT)
(SANITARY MANHOLE 2" PER FOOT)
CLASS "D" CONCRETE, 12" MIN. BELOW BOTTOM OF PIPE.

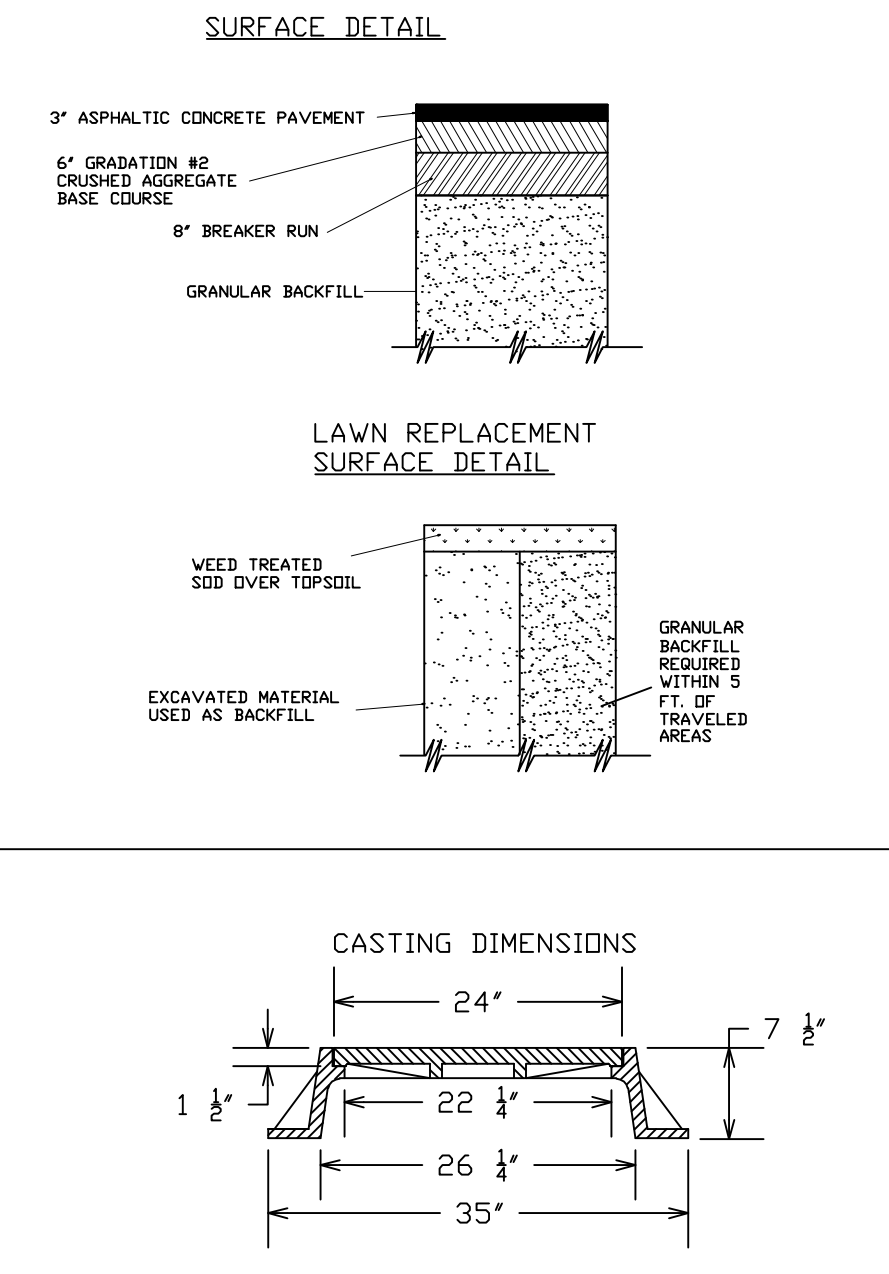


TABLE NO. 1

PIPE DIA	MANHOLE DIA	WALL THICKNESS
8" THRU 30"	4'-0"	5"
36"	5'-0"	6"
42"	6'-0"	7"

PRECAST MANHOLE

AUTOCAD FILENAME: PRECAST MANHOLE.DWG
DRAWN BY: SGR
DATE: 2/98

