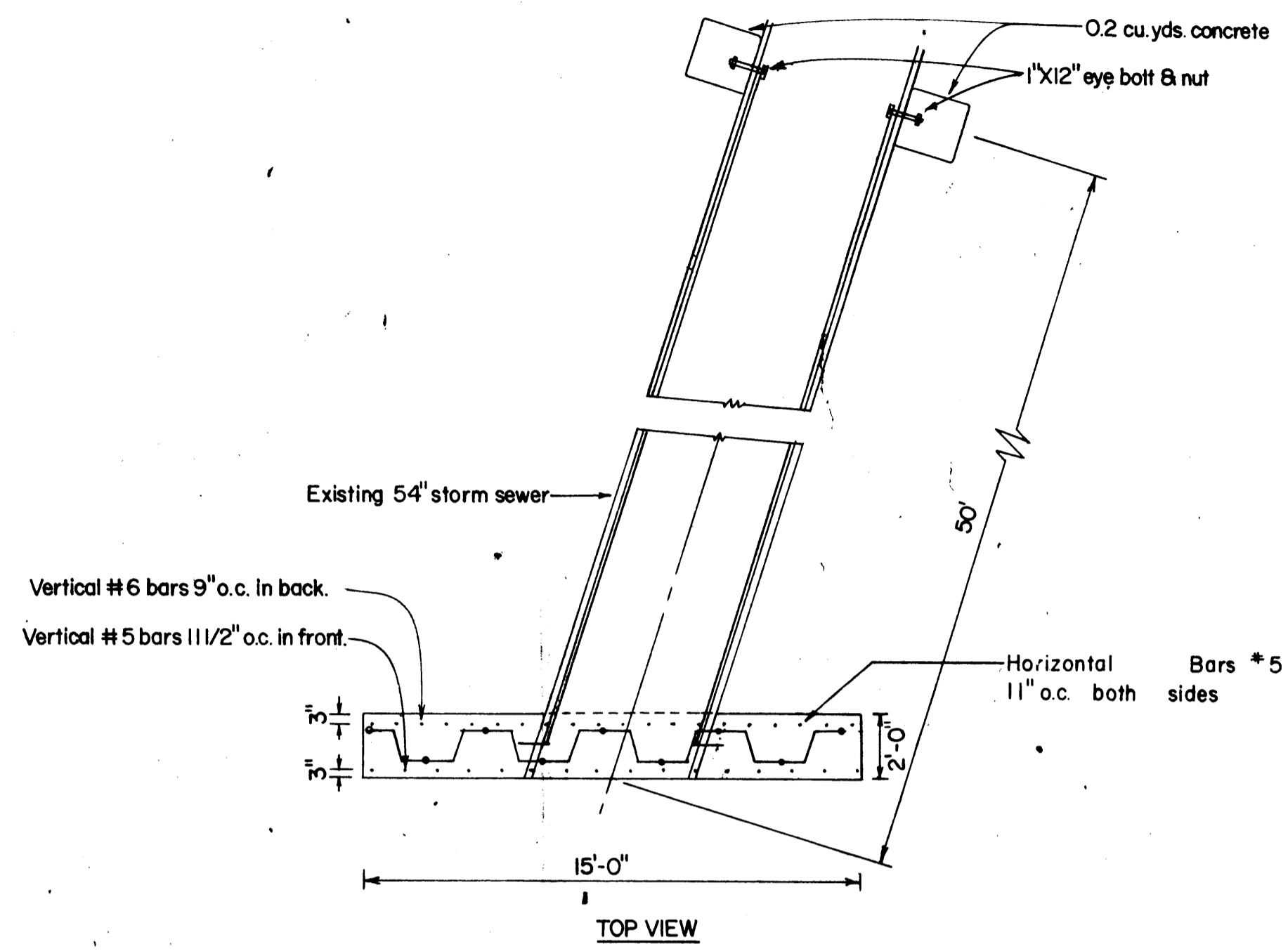
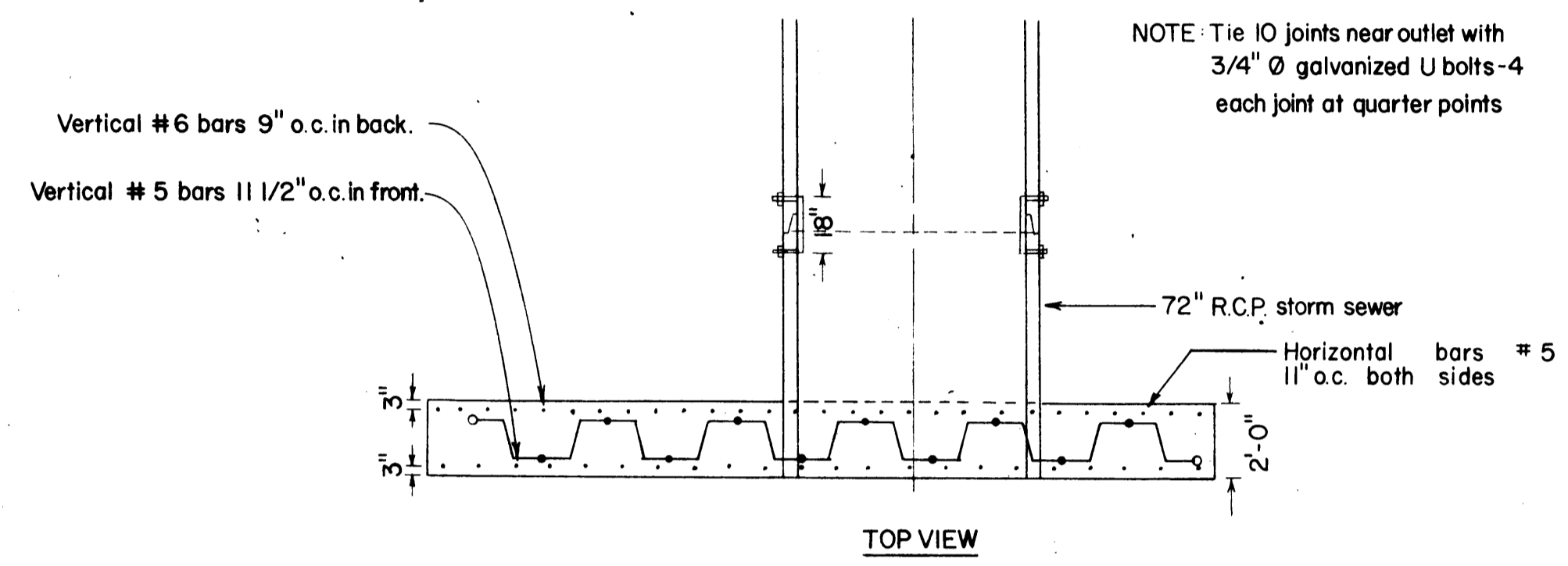


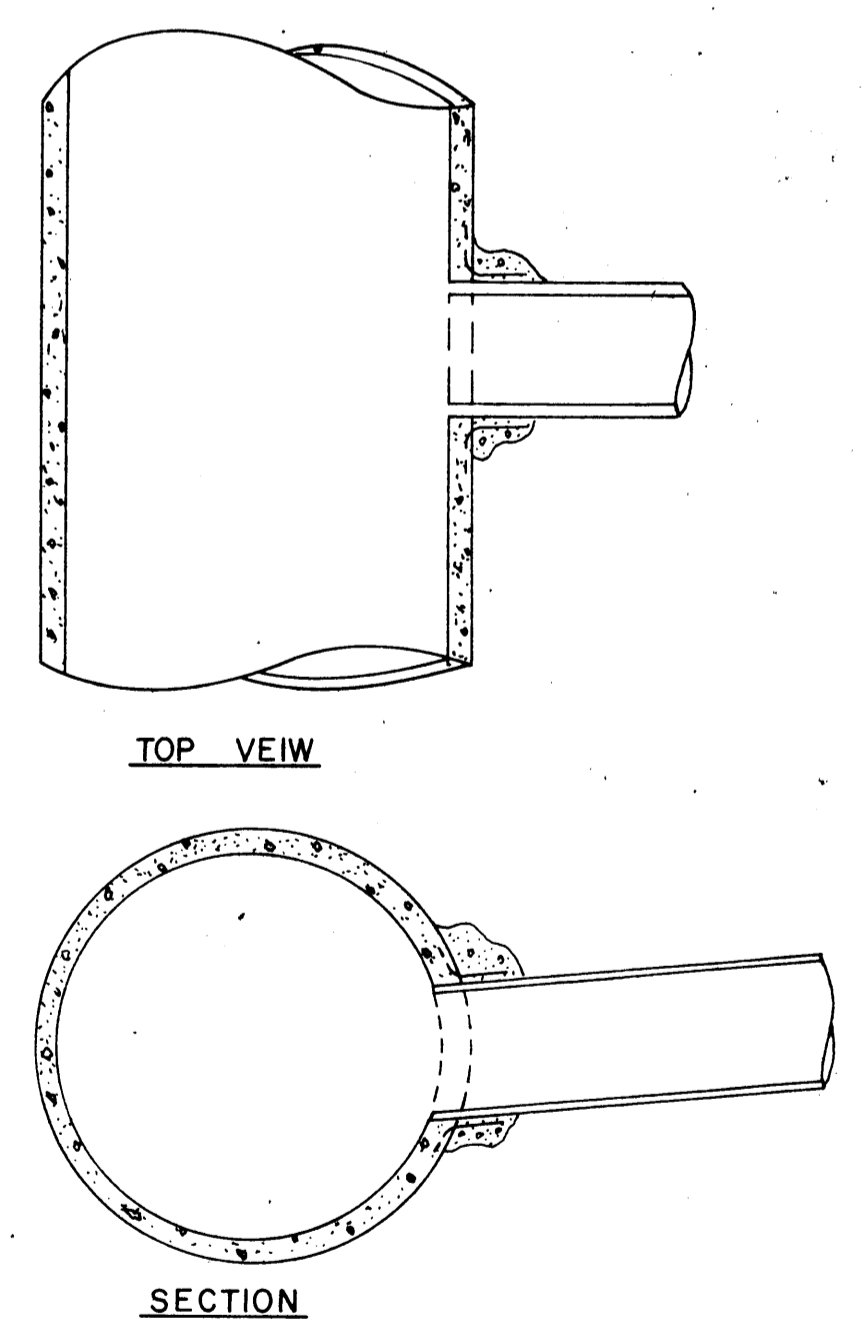
SERVICE RISER DETAIL



TOP VIEW



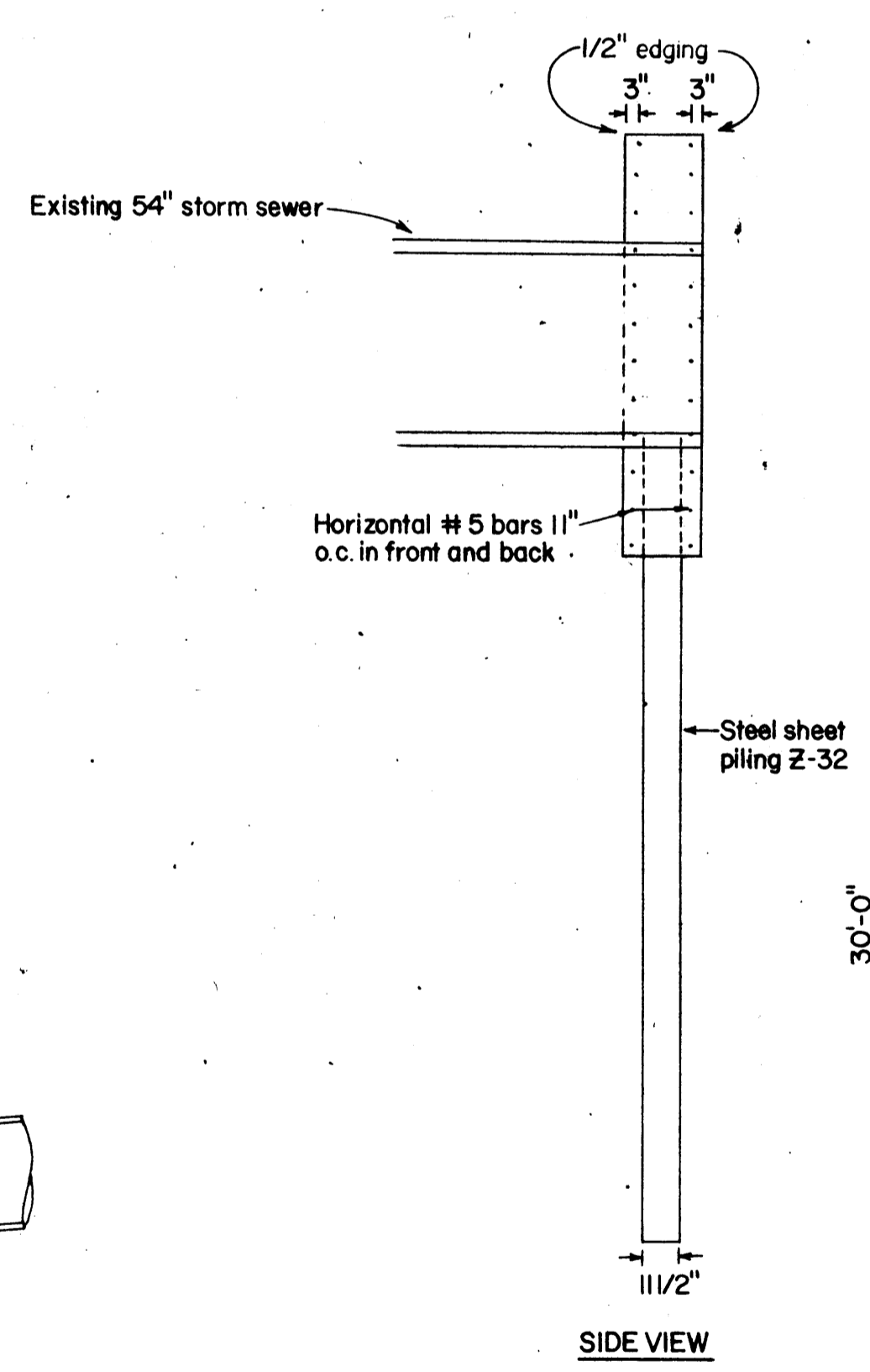
TOP VIEW



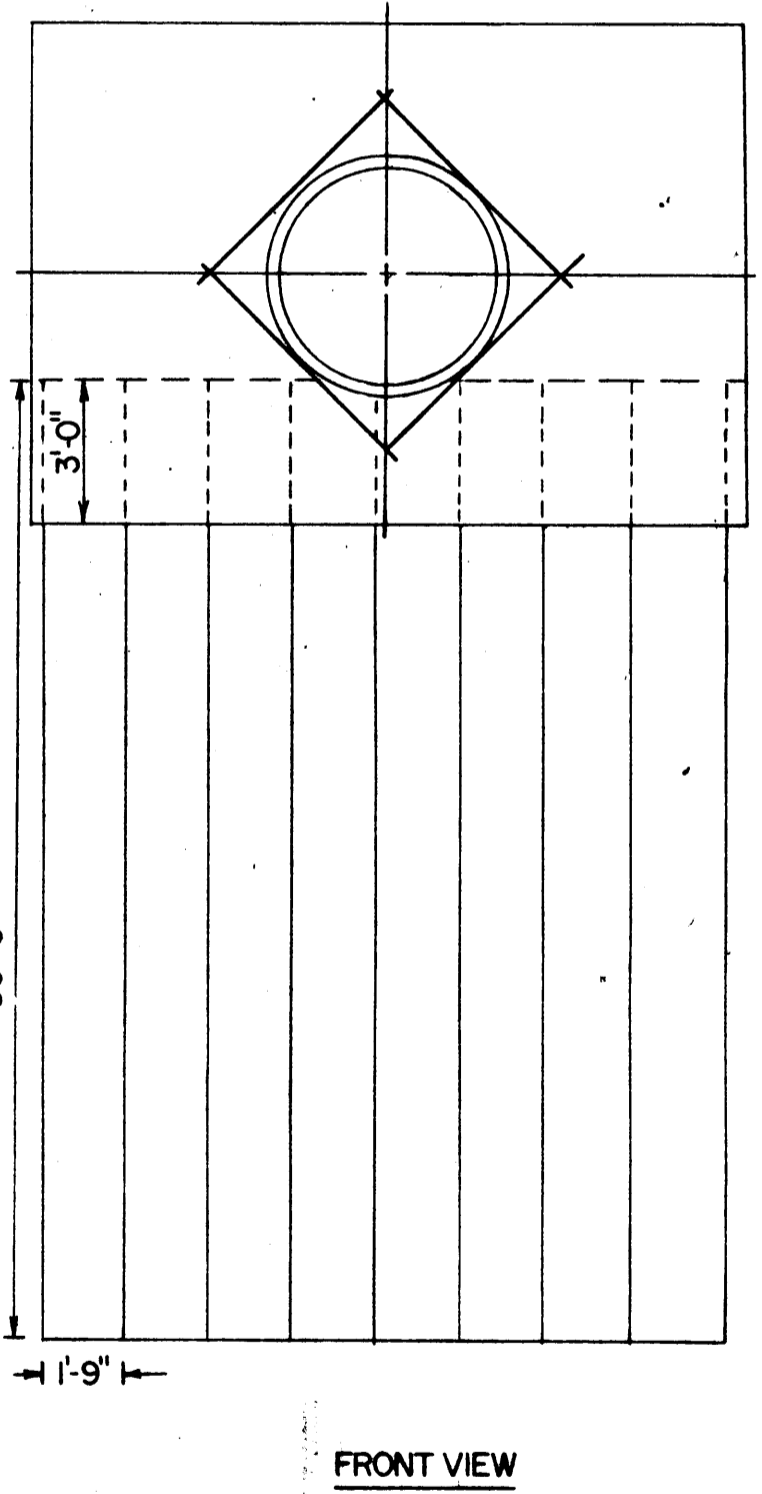
TOP VIEW

SECTION

PIPE OR TEE SECTION CUT-IN

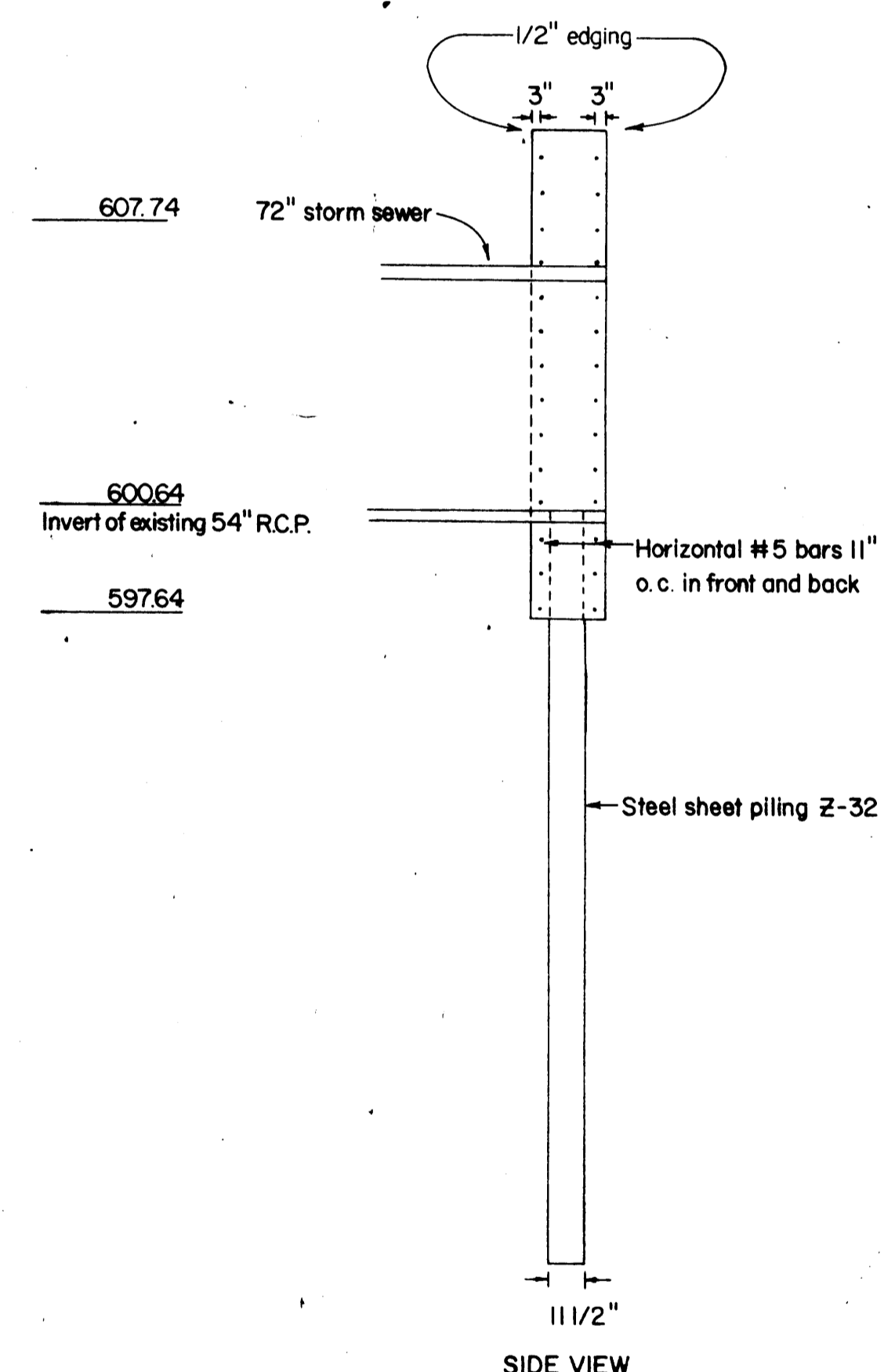


SIDE VIEW

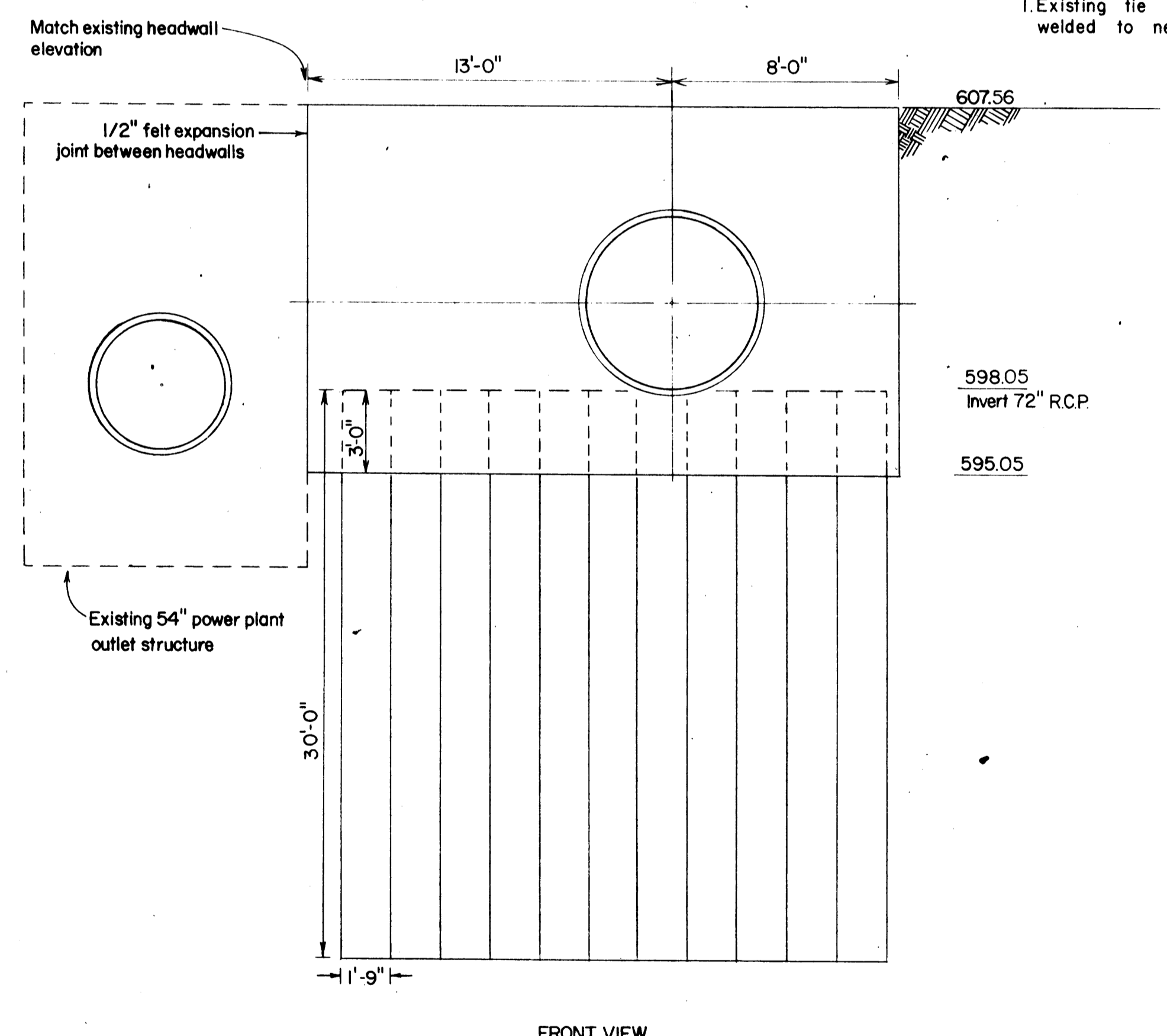


FRONT VIEW

SOUTH TOWER SLIP OUTLET STRUCTURE
Scale: 1/4" = 1'-0"



SIDE VIEW



FRONT VIEW

EAST TOWER SLIP OUTLET STRUCTURE
Scale: 1/4" = 1'-0"