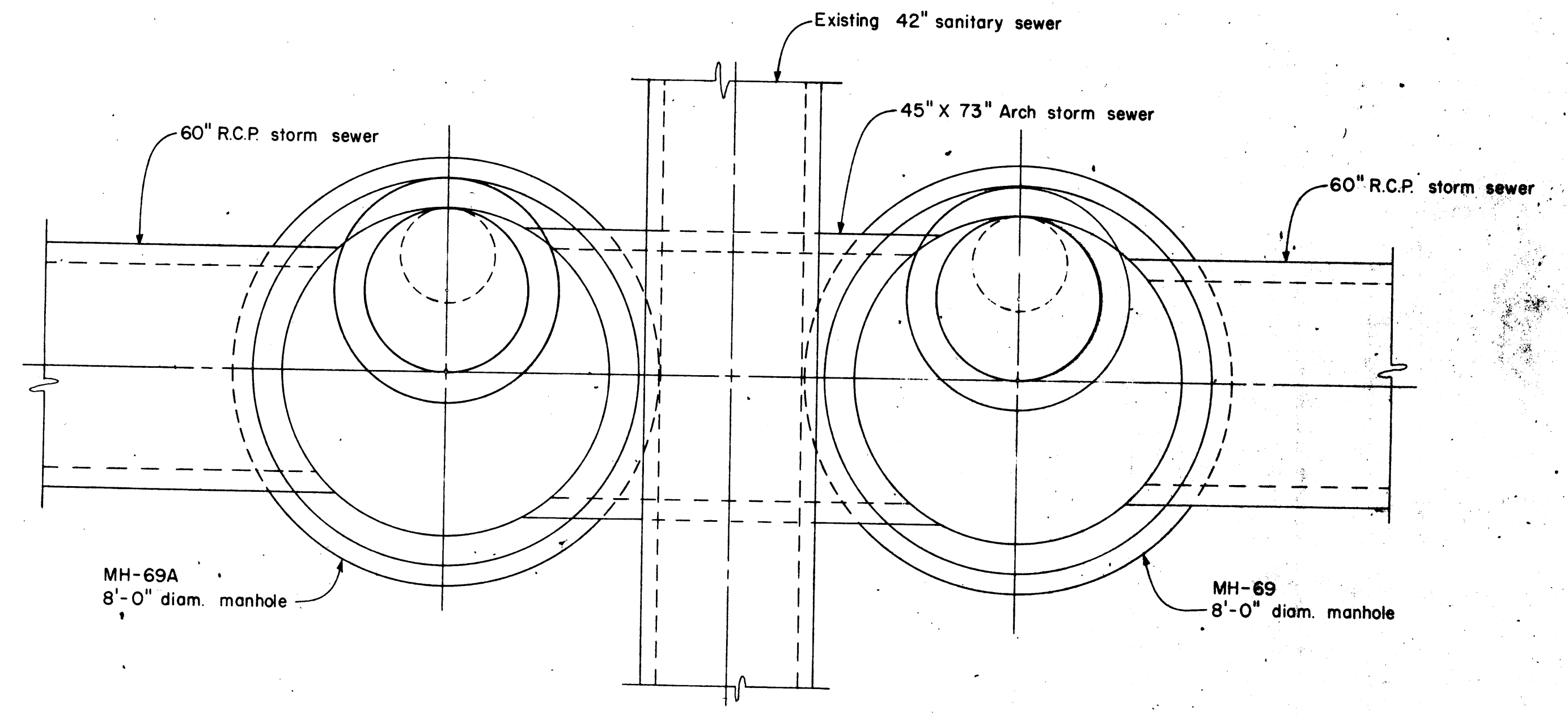
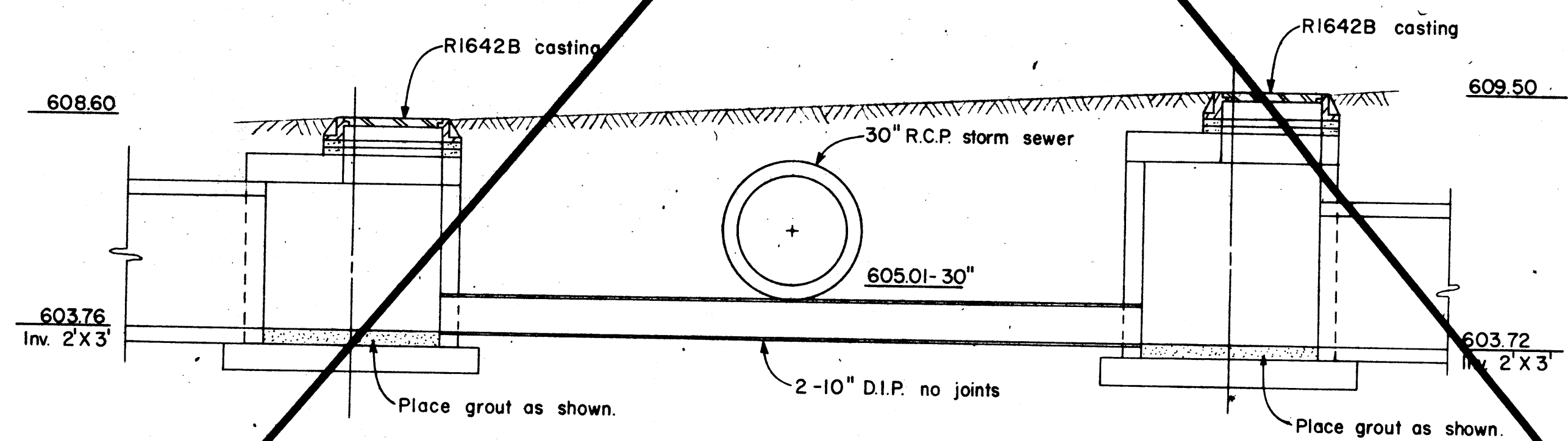


PLAN

NOT CONSTRUCTED



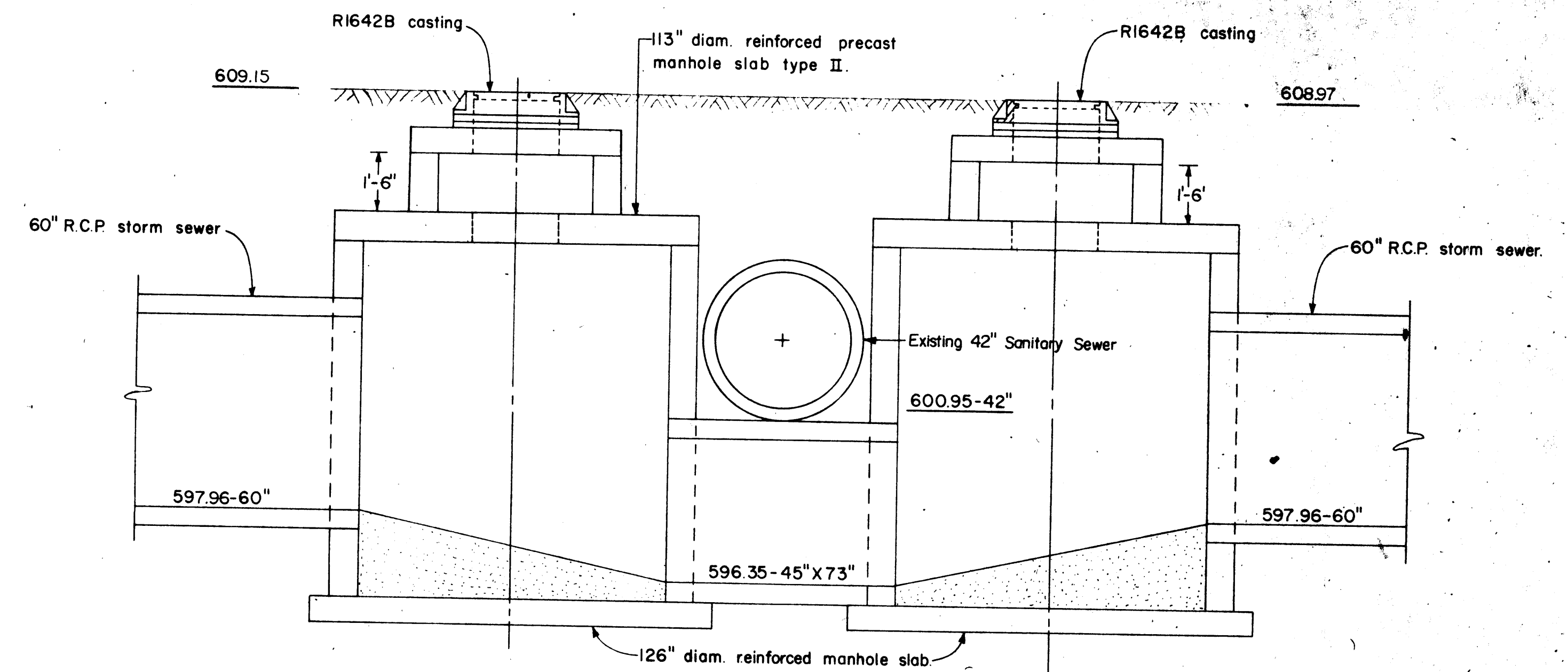
PLAN



SECTION

MH-SII3A & MH-SII3B SPECIAL SANITARY SEWER CROSSING

SEE SHEET 16
Scale 3/8" = 1'-0"



SECTION

MH-69 & MH-69A SPECIAL SANITARY SEWER CROSSING

SEE SHEET 15
Scale 3/8" = 1'-0"

I HEREBY CERTIFY THAT THIS PLAN WAS PREPARED BY ME OR UNDER MY DIRECT SUPERVISION AND THAT I AM A LICENSED PROFESSIONAL ENGINEER UNDER THE LAWS OF THE STATE OF WISCONSIN.
DATE AUG. 22, 1974 REG. NO. E06599

Handwritten signature

SURVEY	DB	REVISIONS
DRAWN	JB	RECORD PLANS
DESIGN	JB	12/29/78 HBR
APPROV	GRC	

DONESTRO, ROSENE, ANDERLIK & ASSOC., INC.
ST. PAUL, MINNESOTA

SUPERIOR, WISCONSIN
DATE: JULY 22, 1974 COMM. 6888 G

DISTRICT I - WATER FRONT