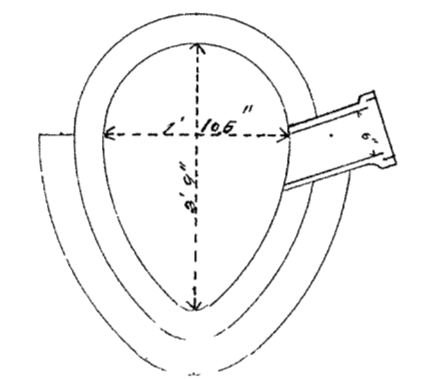
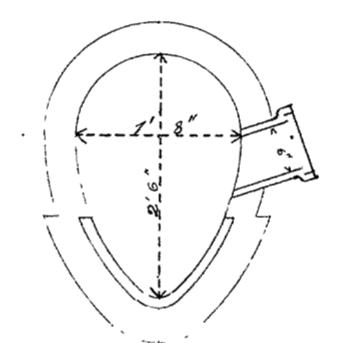


CITY OF SUPERIOR SEWER PLAN

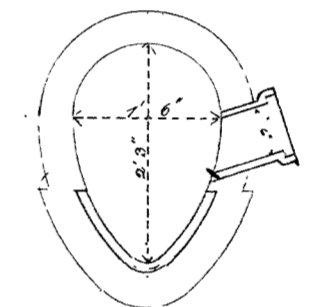
Contract let June 13, 1890
 completed Aug. 11, 1891
 D. C. Sullivan, Contractor
 I. C. Grant & W. R. Russell, Inspectors
 E. B. Banks, City Engineer



Section of 11.05 x 2' 0" Sewer



Section of 1' 8" x 2' 6" Sewer



Section of 1' 6" x 2' 3" Sewer

Scale { Horizontal 1" = 100'
 Vertical 1" = 10'
 Sectional 2" = 1"

