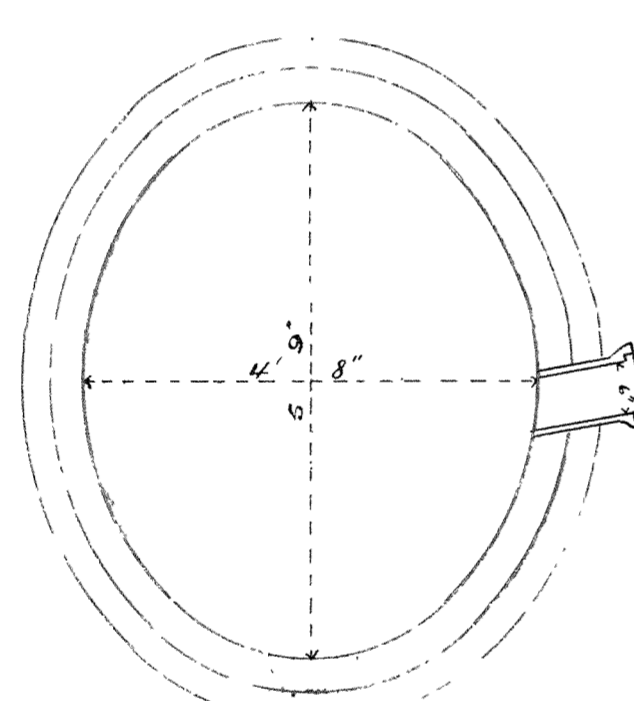
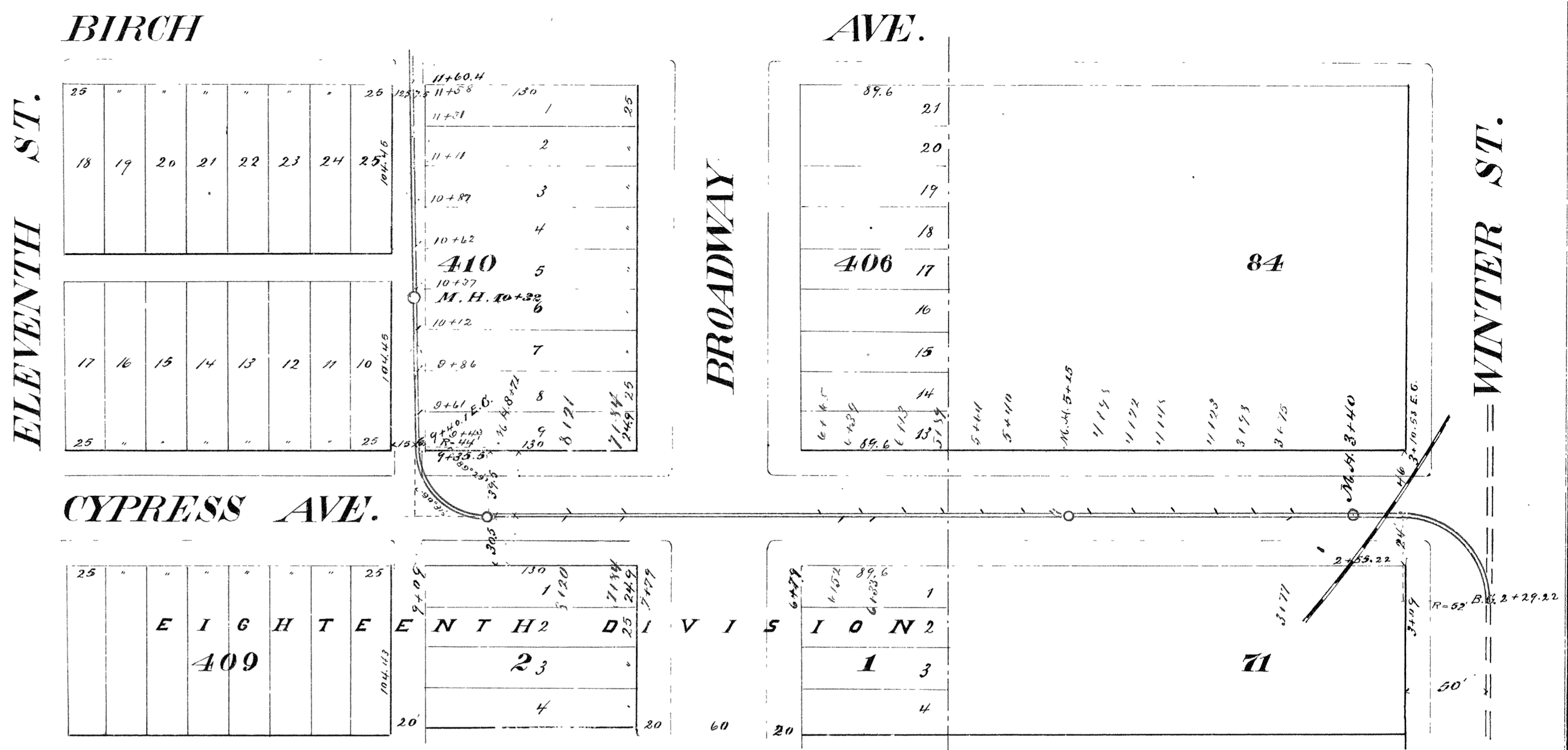
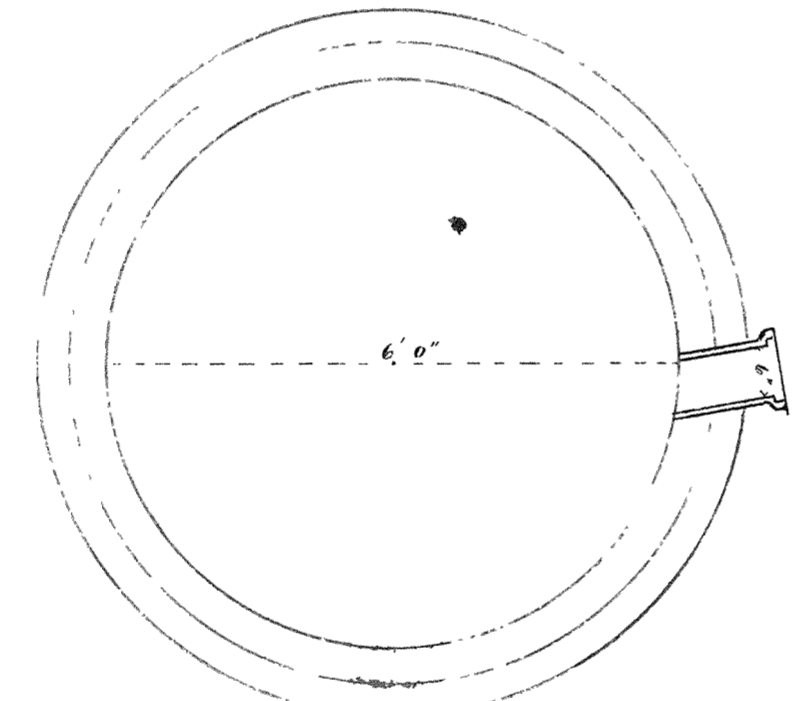


CITY OF SUPERIOR SEWER PLAN

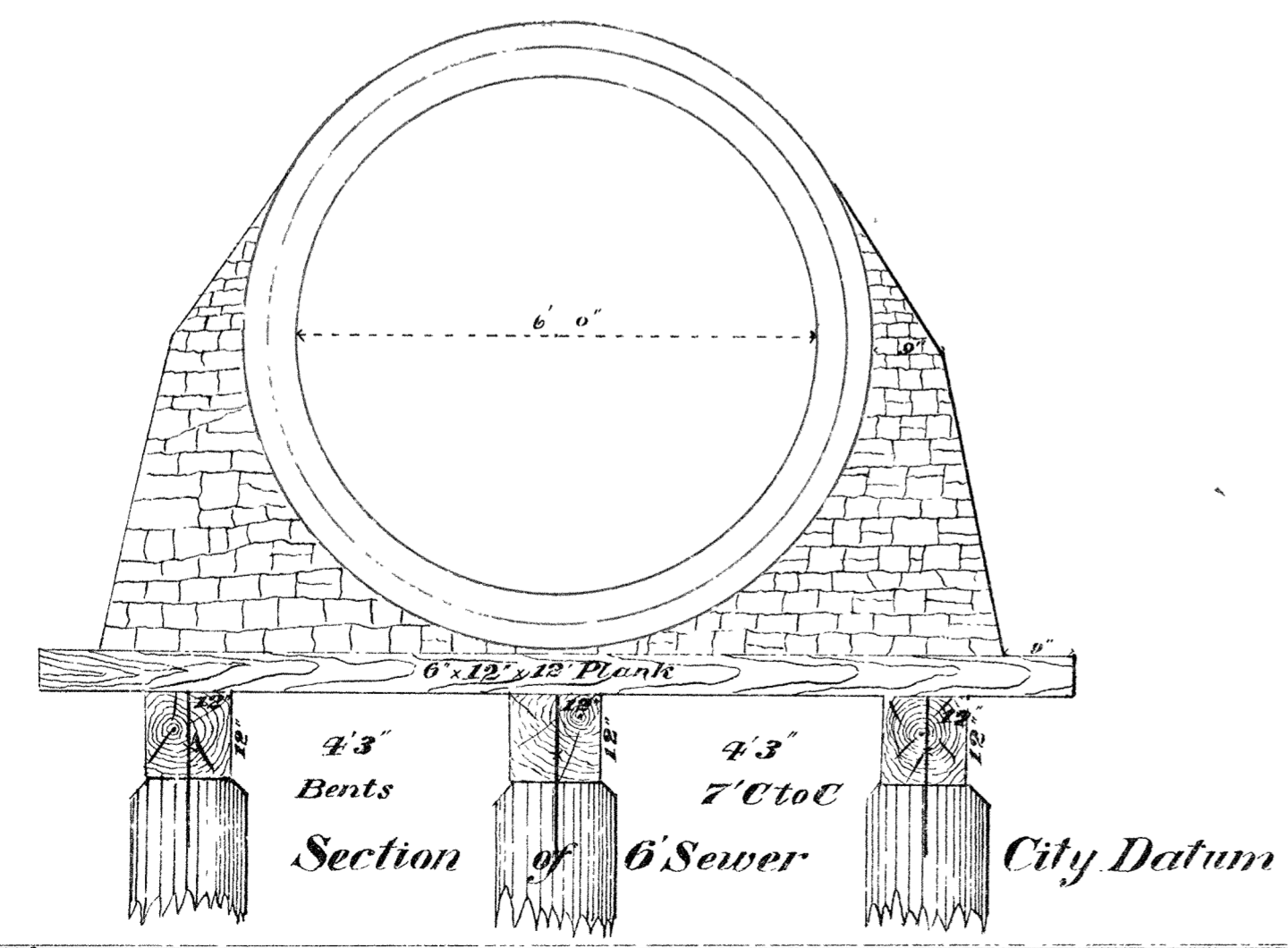
Contract let May 26, 1890
completed July 1, 1891
Birkland & Starkey, Contractor
Stevenson & Murtaugh & LeBlanc, Insp.
E. B. Banks, City Engineer



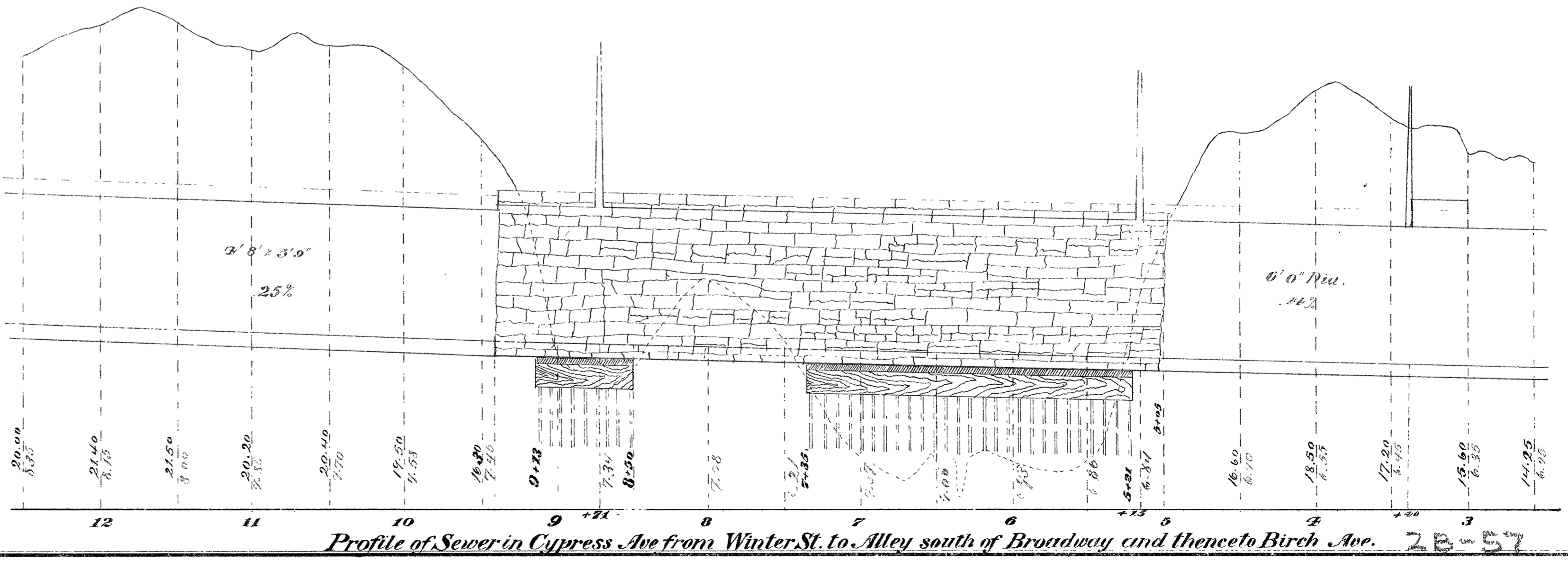
Section of 4'8" x 5'9" Sewer



Section of 6' Sewer



Scale { Horizontal 1 inch = 60 ft.
Vertical 1" = 2'
Section 1" = 2'



Profile of Sewer in Cypress Ave from Winter St. to Alley south of Broadway and thence to Birch Ave. 2B-57