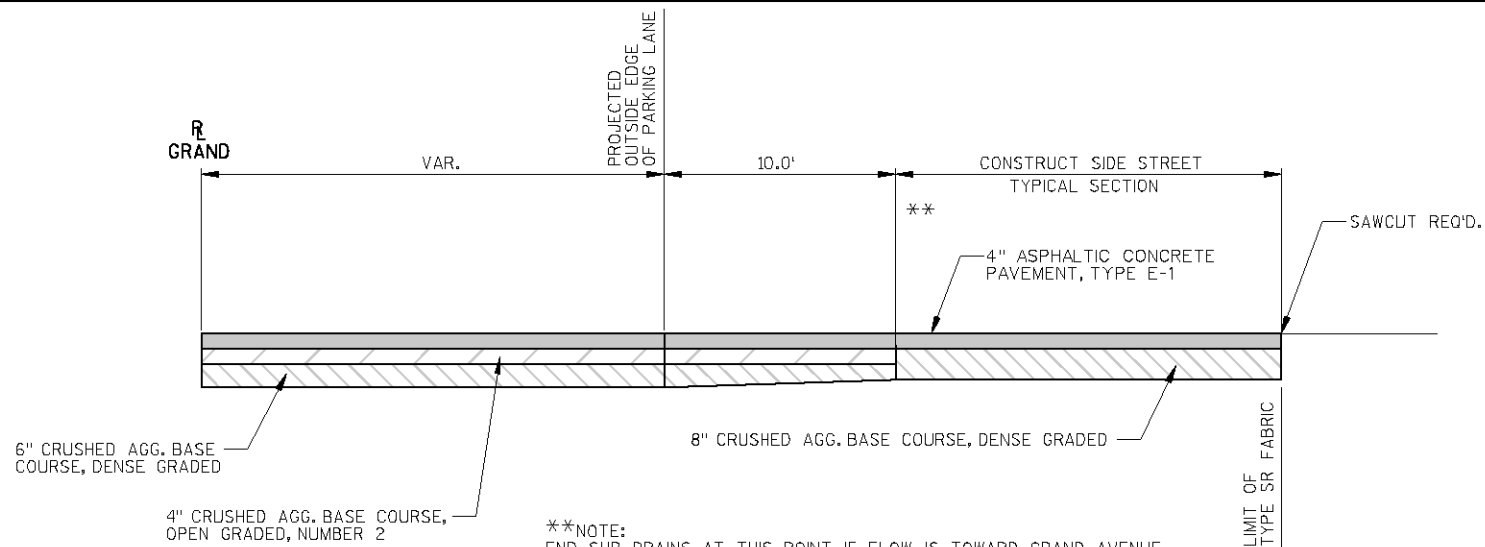
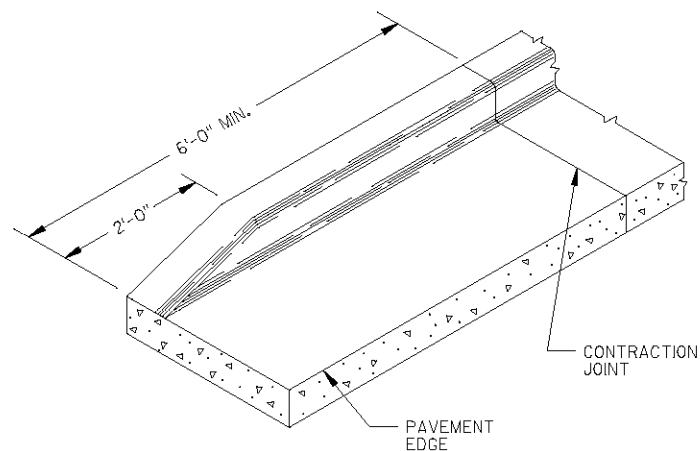


CATCH BASIN LOCATION DETAIL

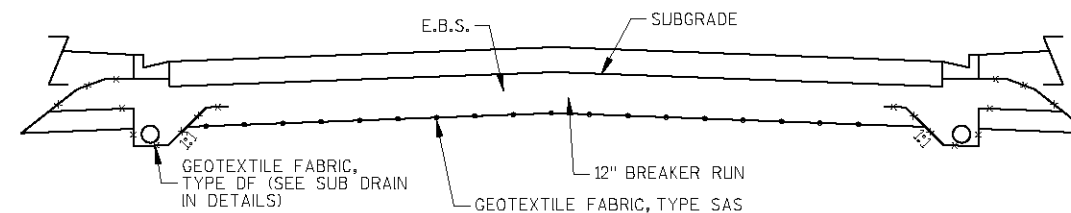


**NOTE:
END SUB DRAINS AT THIS POINT IF FLOW IS TOWARD GRAND AVENUE.
END SUB DRAINS AT INLET IF FLOW IS AWAY FROM GRAND AVENUE.
(FOLLOW CURB RADIUS)

SIDE STREET PAVEMENT TRANSITION

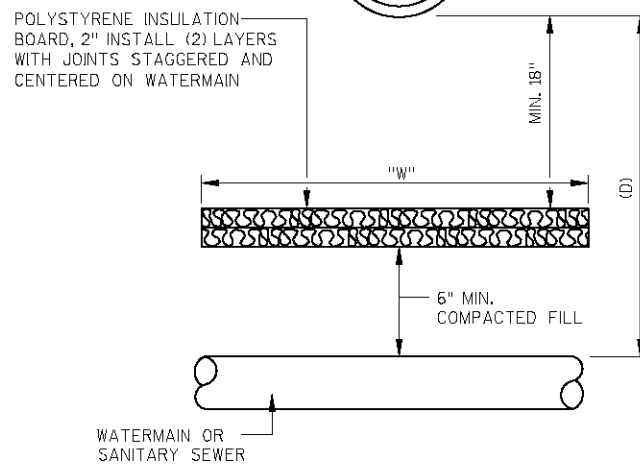
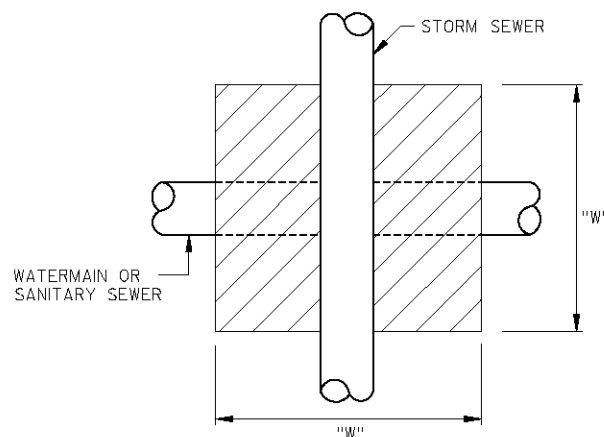


CURB END TREATMENT

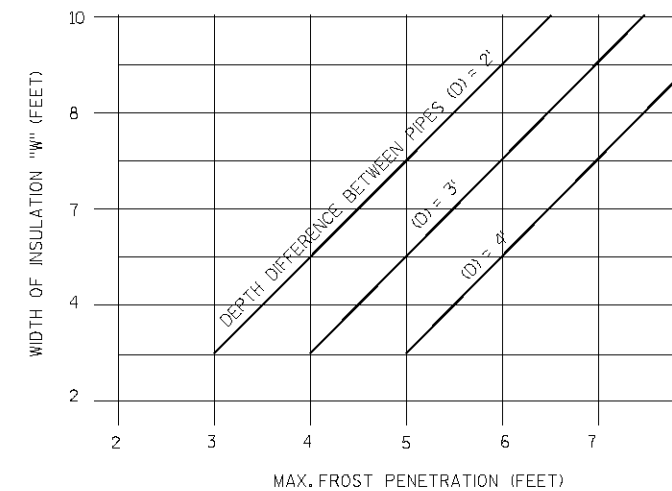


BREAKER RUN

NOTE:
SUB DRAINS SHALL BE PLACED AFTER THE PLACEMENT OF CRUSHED AGGREGATE BASE COURSE, DENSE GRADED AND PRIOR TO THE PLACEMENT OF CRUSHED AGGREGATE BASE COURSE, OPEN GRADED, TO ENSURE THE CRUSHED AGGREGATE BASE COURSE, OPEN GRADED IS DIRECTLY CONNECTED TO THE SUB DRAINS. ALL EBS WILL BE PAID AS COMMON EXCAVATION.



WATERMAIN OR SANITARY INSULATION DETAIL



LEVELS ON = 1, 2, 3, 4, 5, 6, 7, 8, 9, 10, 11, 12, 13, 14, 15, 16, 17, 18, 19, 20, 21, 22, 23, 24, 25, 26, 27, 28, 29, 30, 31, 32, 33, 34, 35, 36, 37, 38, 39, 40, 41, 42, 43, 44, 45, 46, 47, 48, 49, 50, 51, 52, 53, 54, 55, 56, 57, 58, 59, 60, 61, 62, 63