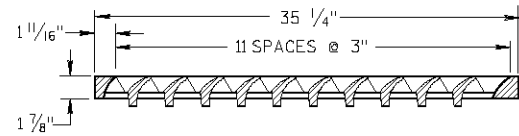
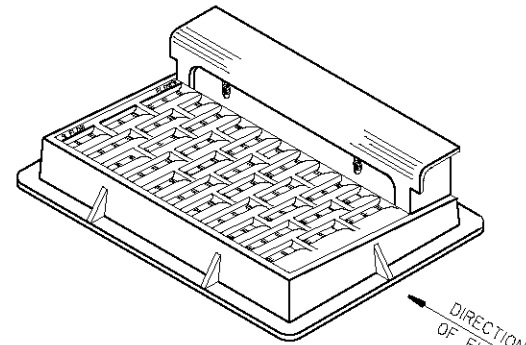
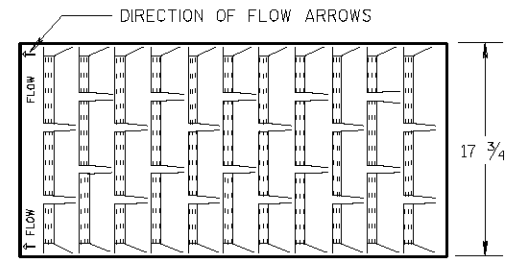
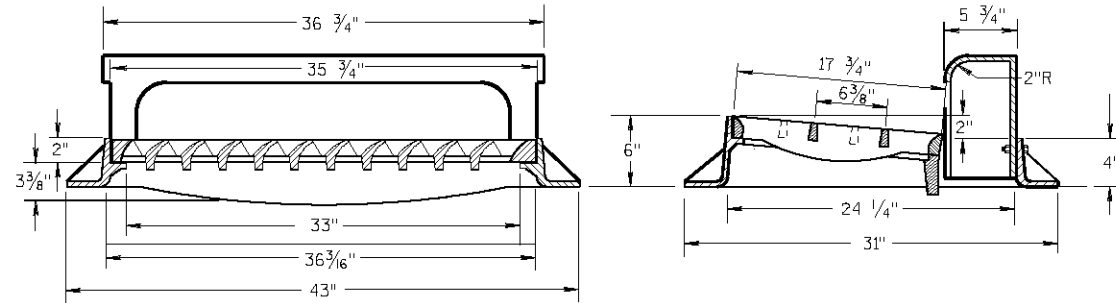


NOTE:  
GRATE IS REVERSIBLE.



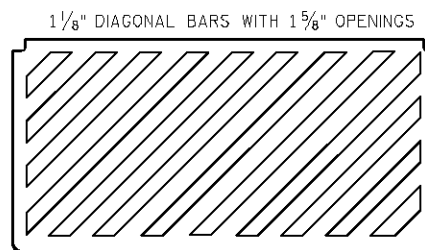
NOTE: CURB BOX HEIGHT ADJUSTABLE 6" TO 9"



**TYPE "H"**

(APPROXIMATE WEIGHT 422 LBS.)

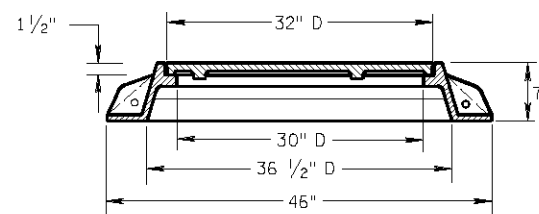
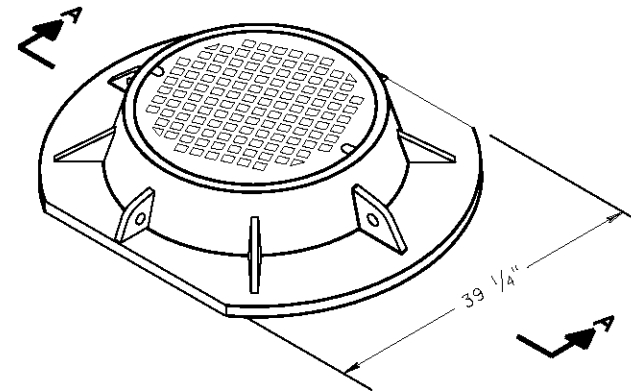
FRAME..... 175 LBS.  
GRATE..... 138 LBS.  
CURB BOX..... 109 LBS.



**SPECIAL GRATE FOR  
TYPE "H" COVER**

(MEASURES 35 1/4" X 17 3/4" X 2")  
(APPROXIMATE WEIGHT 172 LBS.)  
GRATE..... 172 LBS.

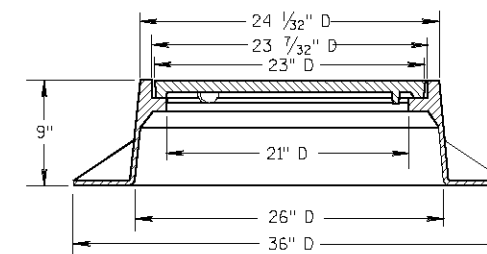
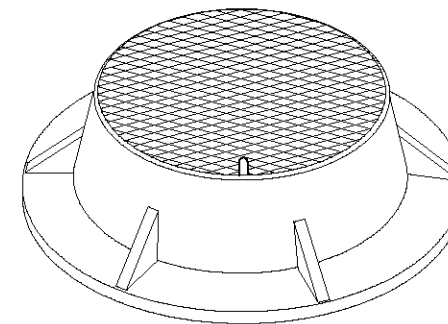
(NOTED AS TYPE H-S ON DRAINAGE TABLE)



**SECTION A-A  
TYPE "K"**

(APPROXIMATE WEIGHT 415 LBS.)

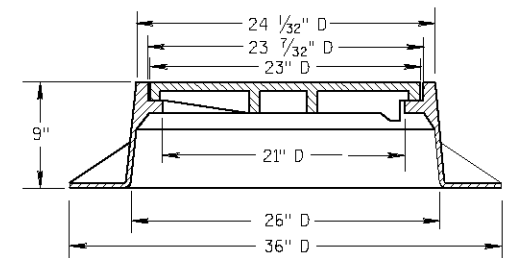
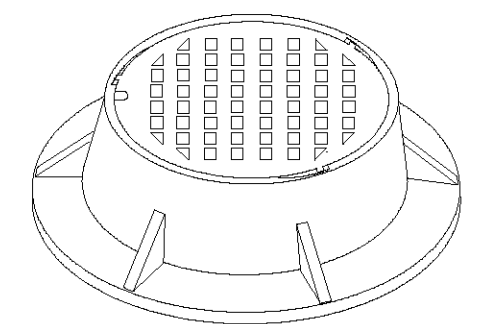
FRAME..... 210 LBS.  
LID..... 205 LBS.



**TYPE "J"**

(APPROXIMATE WEIGHT 250 LBS.)

FRAME..... 135 LBS.  
LID..... 115 LBS.



**TYPE "J" SPECIAL**

TYPE "B" NON-ROCKING SELF-SEAL LID

(APPROXIMATE WEIGHT 245 LBS.)

FRAME..... 145 LBS.  
LID..... 100 LBS.

(NOTED AS TYPE J-S ON THE DRAINAGE TABLE)

**GENERAL NOTES**

DETAILS OF CONSTRUCTION, MATERIALS AND WORKMANSHIP NOT SHOWN ON THIS DRAWING SHALL CONFORM TO THE PERTINENT REQUIREMENTS OF THE STANDARD SPECIFICATIONS AND THE APPLICABLE SPECIAL PROVISIONS.

DETAIL DRAWINGS FOR PROPOSED ALTERNATE DESIGNS FOR CATCH BASIN, MANHOLE AND INLET COVERS SHALL BE SUBMITTED TO THE ENGINEER FOR APPROVAL PROVIDING THAT SUCH ALTERNATE DESIGNS MAKE PROVISION FOR EQUIVALENT CAPACITY AND STRENGTH.

ROUND FRAMES AND COVERS SHALL HAVE CONTINUOUSLY MACHINED BEARING SURFACES TO PREVENT ROCKING AND RATTLING.

THE ACTUAL WEIGHT OF COVERS MAY VARY WITHIN 5 PERCENT, PLUS OR MINUS, OF THE APPROXIMATE WEIGHT.

LEVELS ON = 1, 2, 3, 4, 5, 6, 7, 8, 9, 10, 11, 12, 13, 14, 15, 16, 17, 18, 19, 20, 21, 22, 23, 24, 25, 26, 27, 28, 29, 30, 31, 32, 33, 34, 35, 36, 37, 38, 39, 40, 41, 42, 43, 44, 45, 46, 47, 48, 49, 50, 51, 52, 53, 54, 55, 56, 57, 58, 59, 60, 61, 62, 63