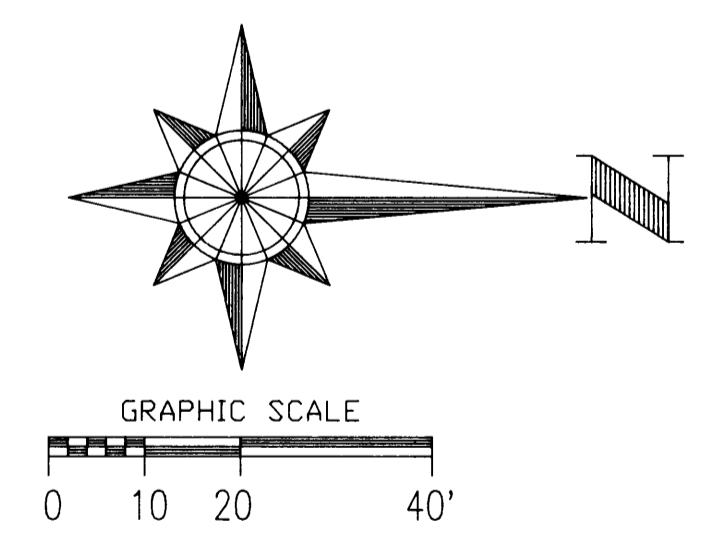
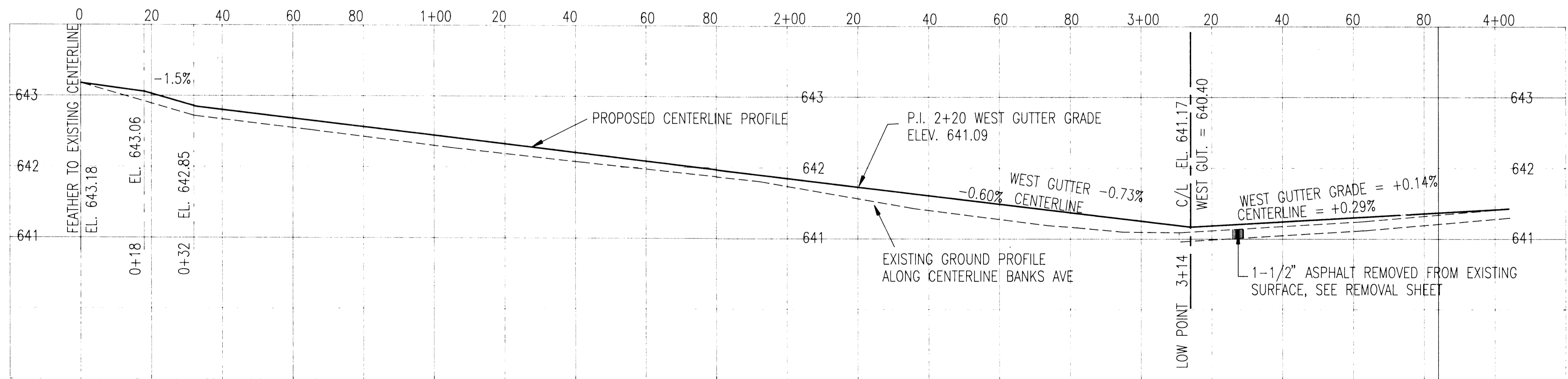


BANKS AVE

NOTES:

Superior Water, Light & Power Co. is responsible for relocation or removal of all gas or water service shut off boxes

dimensions are to face of curb



BENCH MARK
S.E. bolt on hydrant between Oakes Ave exit and Supreme Courts bldg
El. 645.47