

ICE ARENA

DEPOT

PROPOSED SANITARY SEWER RE-ROUTE 43 LF 10" SEWER @ 3.56% SLOPE

PROPOSED SANITARY M.H. NO. 2 28.4' RT OF BASELINE STA. 6+64.23 N4335.66, E4971.59

RAISE WATERMAIN AT PROPOSED STORM SEWER CROSSING (BY OTHERS)

SAW CUT NEW OPENING INTO EXISTING MANHOLE REMOVE INTERIOR CONC. FILLET, FORM & POUR NEW CONC. FILLET

M.H. NO. 2 (7-C) 20.73' RT C/L STA. 8+80

450.22 LF 48" RCP @ 0.36% SLOPE

SAN. MH NO. 1 RIM 632.93 8" IN 623.63 4" IN 624.83 8" OUT 623.53

RIM EL. 633.04 48" OUTLET INV. 623.39

NOTES FOR SANITARY SEWER

1. MAINTAIN SEWER SERVICE DURING CONSTRUCTION
2. RESTORE ALL SURFACES BETWEEN EXISTING M.H. NO. 1 & EDGE OF SIDEWALK LINE AT EAST SIDE OF OAKES AVE.
3. RESTORE SURFACES EAST OF ABOVE MENTIONED SIDEWALK EXCEPT CITY WILL INSTALL BITUMINOUS SURFACE UPON CONTRACTORS RESTORED BASE.

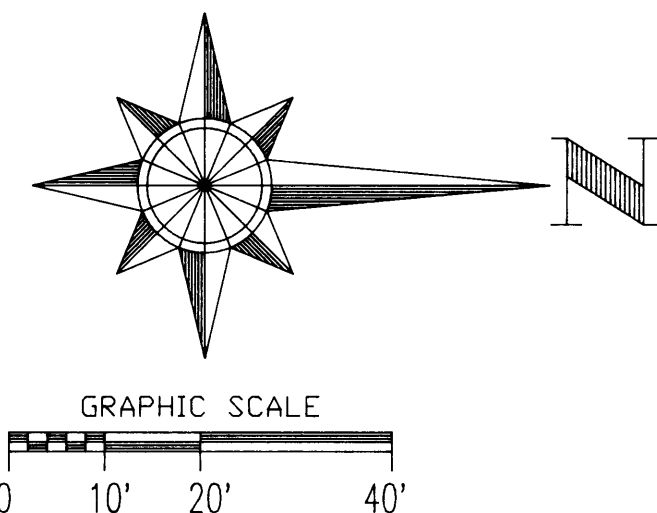
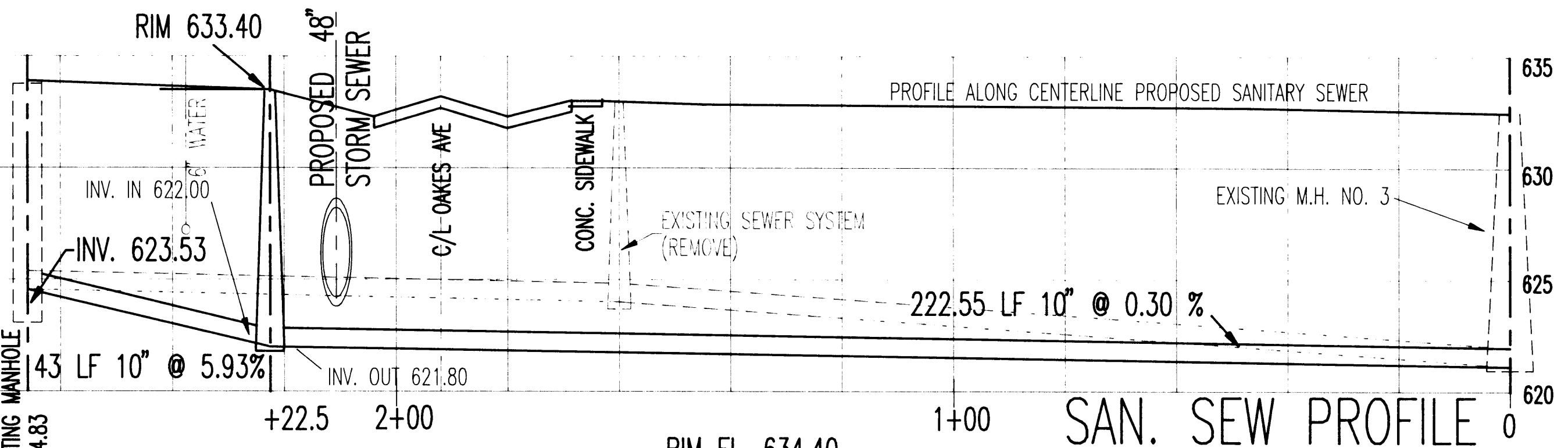
PROJECT D REPLACE EXISTING 10" SANITARY SEWER 222.55 LF - 10"

CONNECT EXISTING SEWER SERVICES INTO NEW SANITARY SEWER

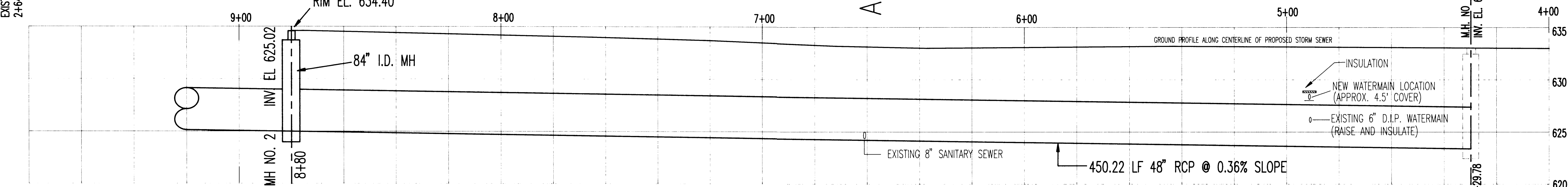
OAKES AVE

BROADWAY 10TH STREET

11TH STREET



BENCH MARK Disk in wall of Union Station Elev. 635.93



CAD FILE 9018P1
VIEW 1
PLOT SCALE 1"=20'
NO ROTATION
USER SIZE 24x36
FEED DIRECTION