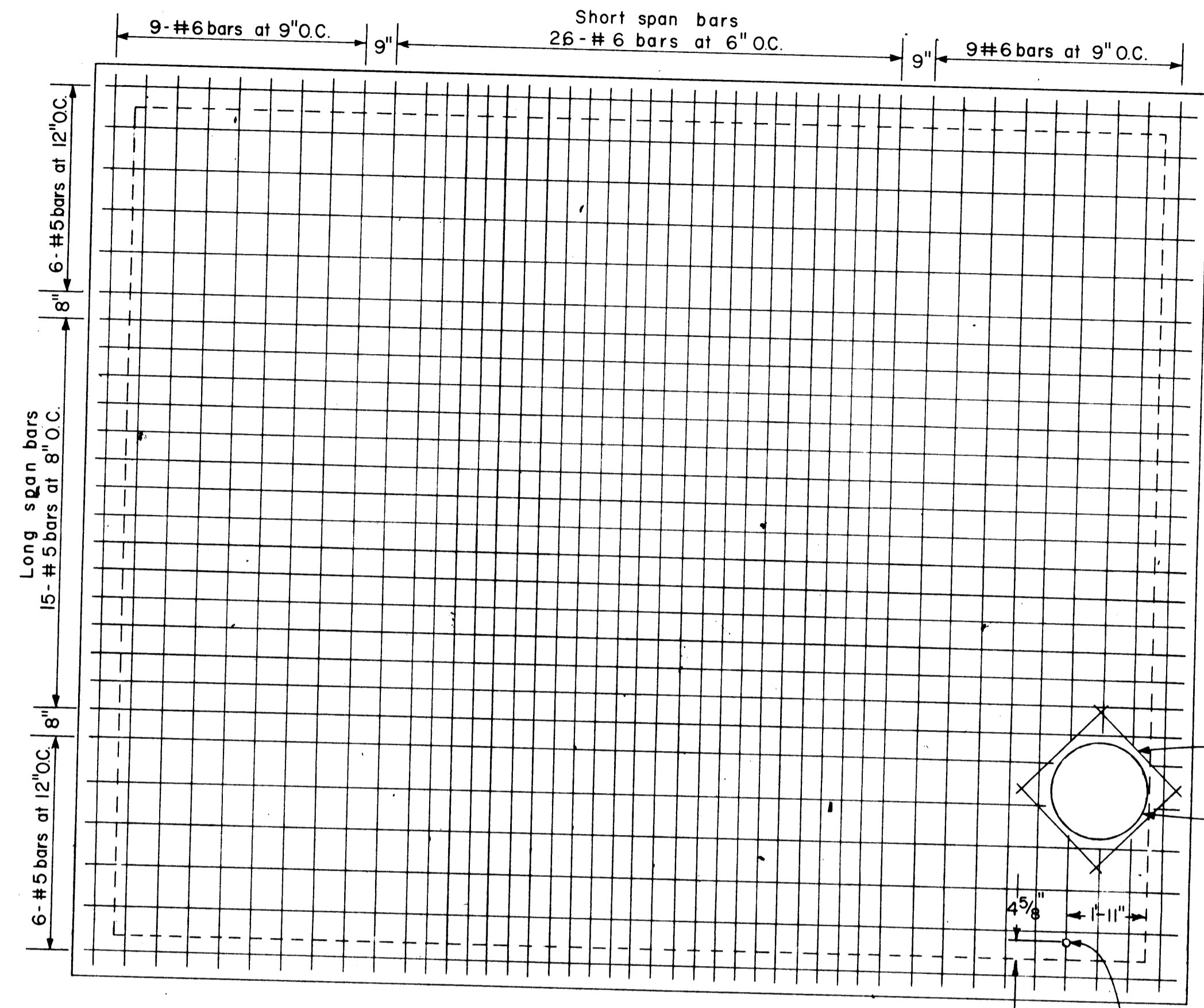
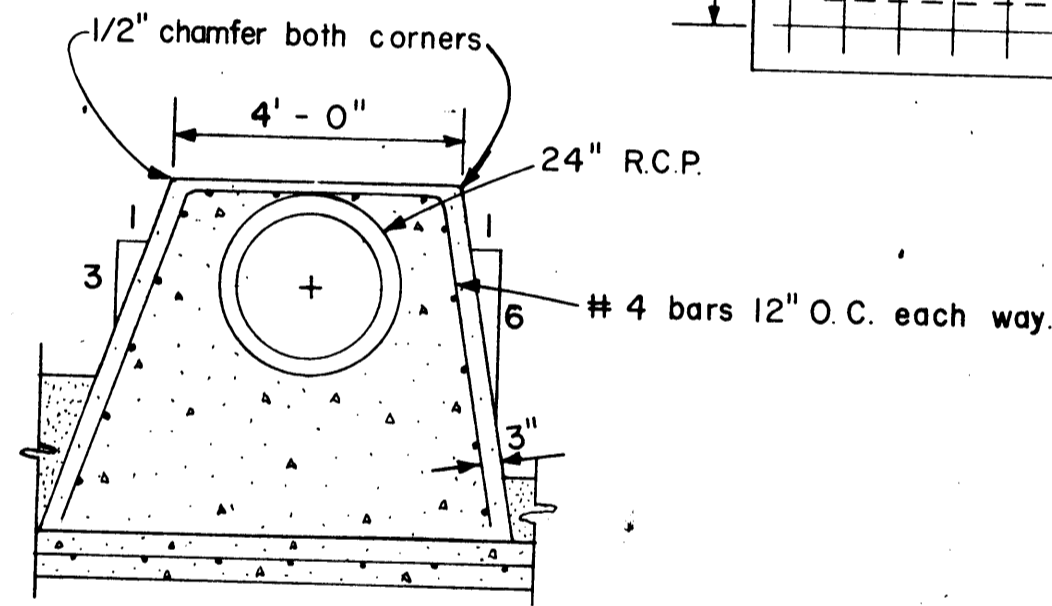
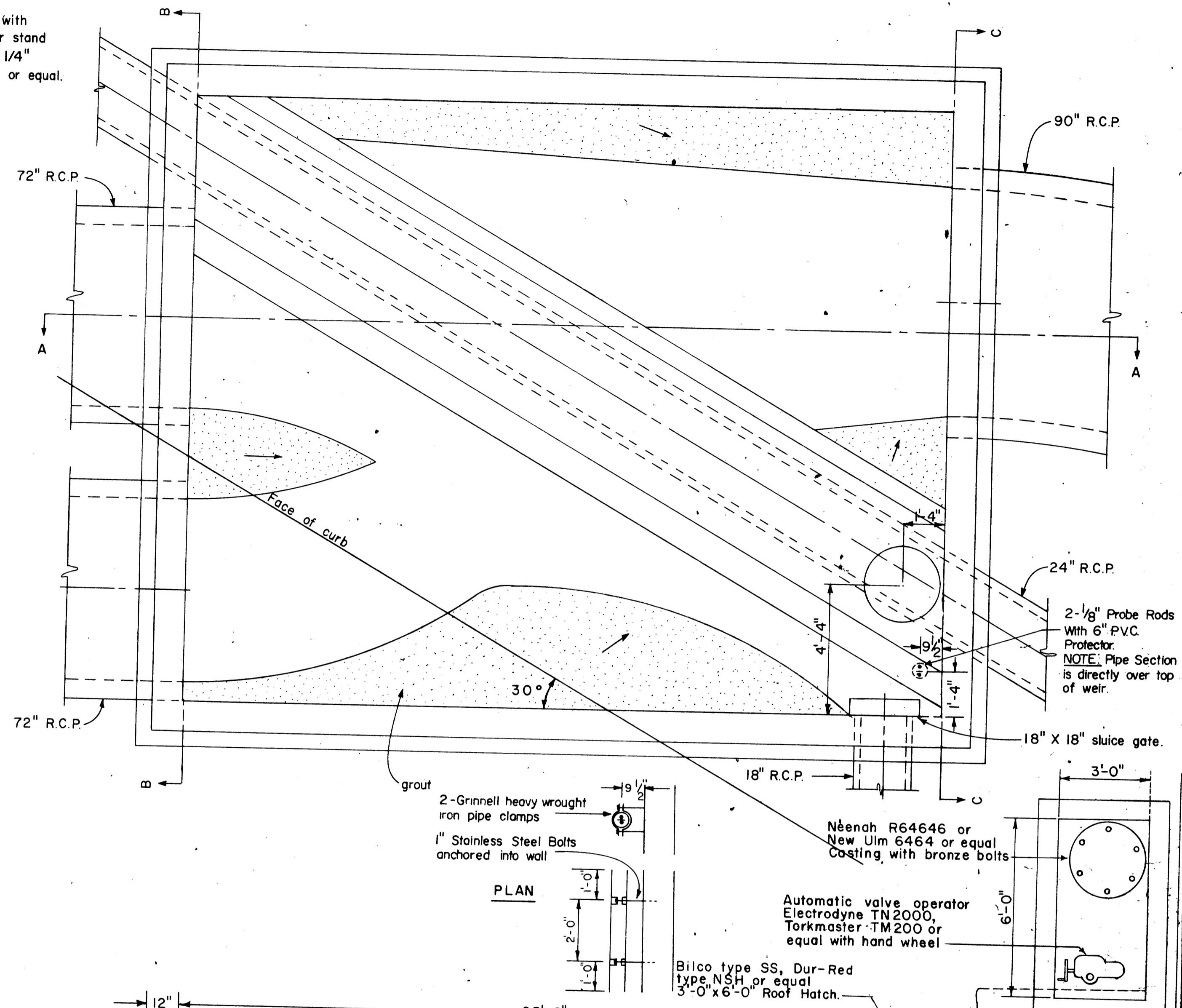


NOTE: short span bars on bottom. 2" min concrete over reinforcing.

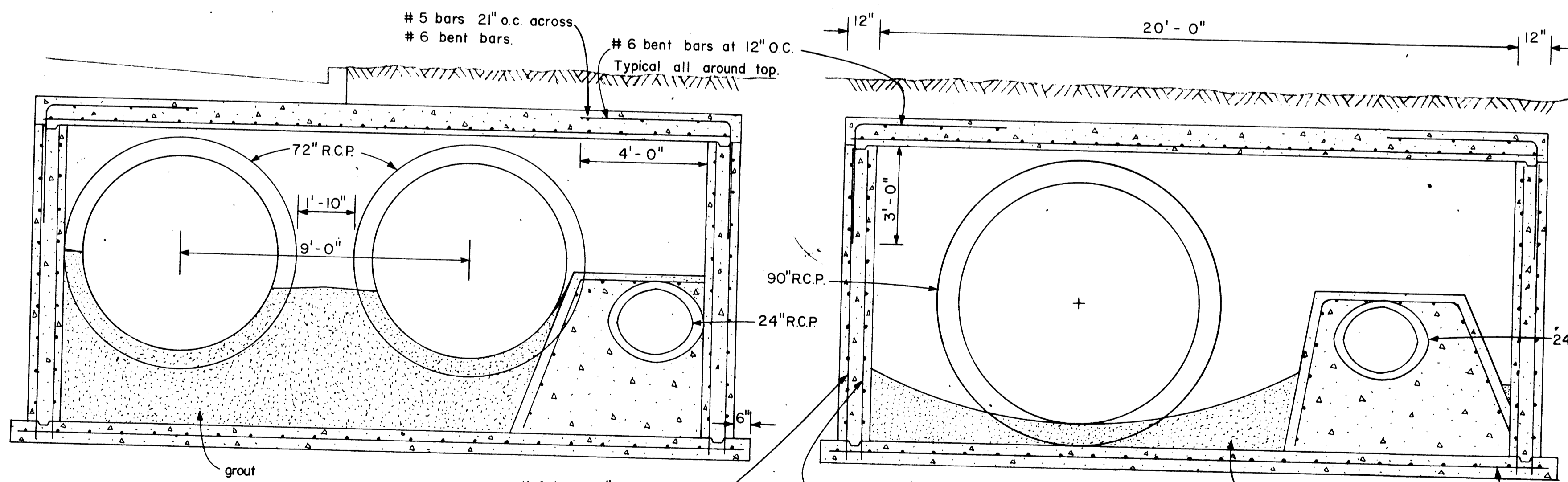


NOTE: Rodney Hunt 2406 gate with 1/4" stem and S-5002 floor stand or Armo 50-10 gate with 1/4" stem and CPE-2 floor stand or equal.



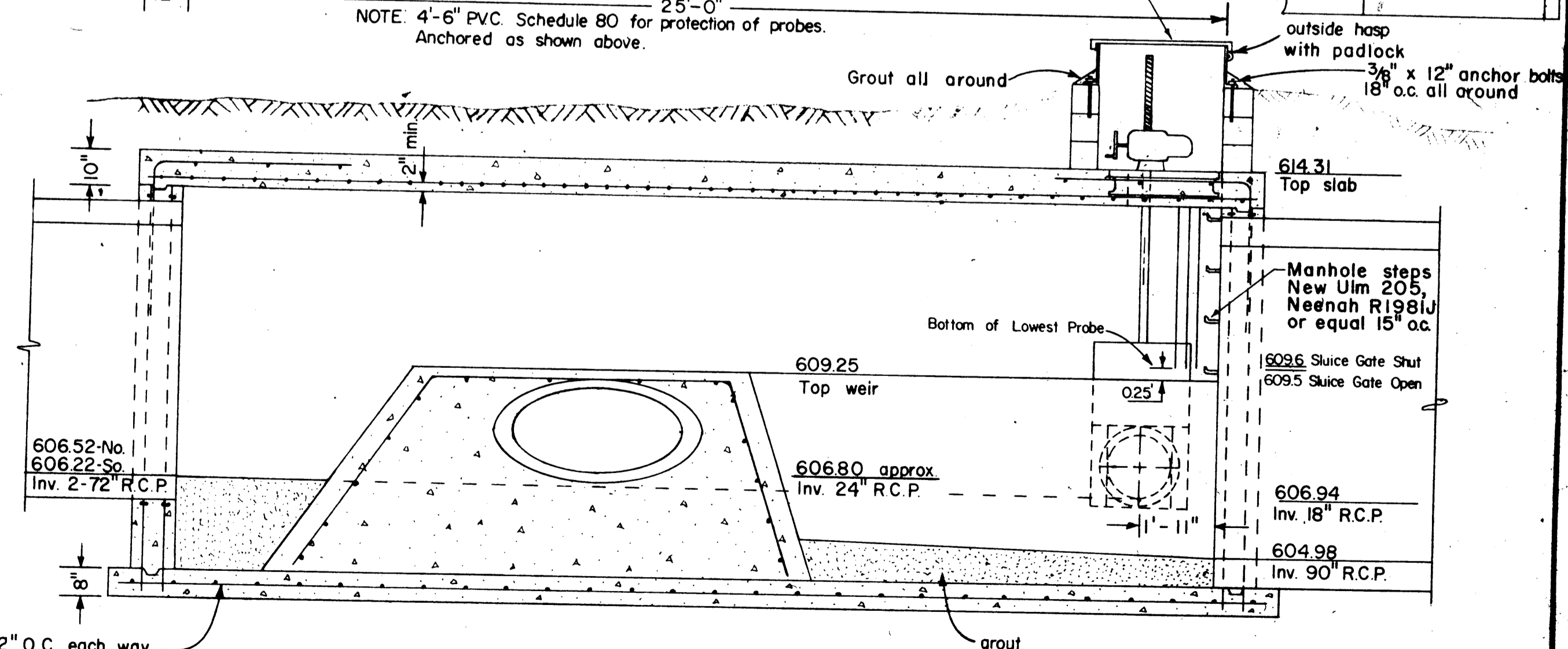
TOP REINFORCING

WEIR



SECTION B-B

SECTION C-C



SECTION A-A

SPECIAL MH-7 (WINTER ST.)

DESIGNED BY: J. H. ROSE
 DRAWN BY: J. H. ROSE
 CHECKED BY: J. H. ROSE
 DATE: AUG. 13, 1974

REVISIONS
 NO. 1
 DATE: 1/6/79
 BY: HBR

SURVEY: JCB
 DRAWN: JCB
 DESIGN: JCB
 APPROVED: JCB

BONESTROO, ROSENE, ANDERLIK & ASSOC., INC.
 ST. PAUL, MINNESOTA

SUPERIOR, WISCONSIN
 DATE: JUNE 14, 1974
 COMM: 6888H

DISTRICT 2-CENTRAL BUSINESS
 MH-7 DETAIL

Scale: 3/8" = 1'-0"