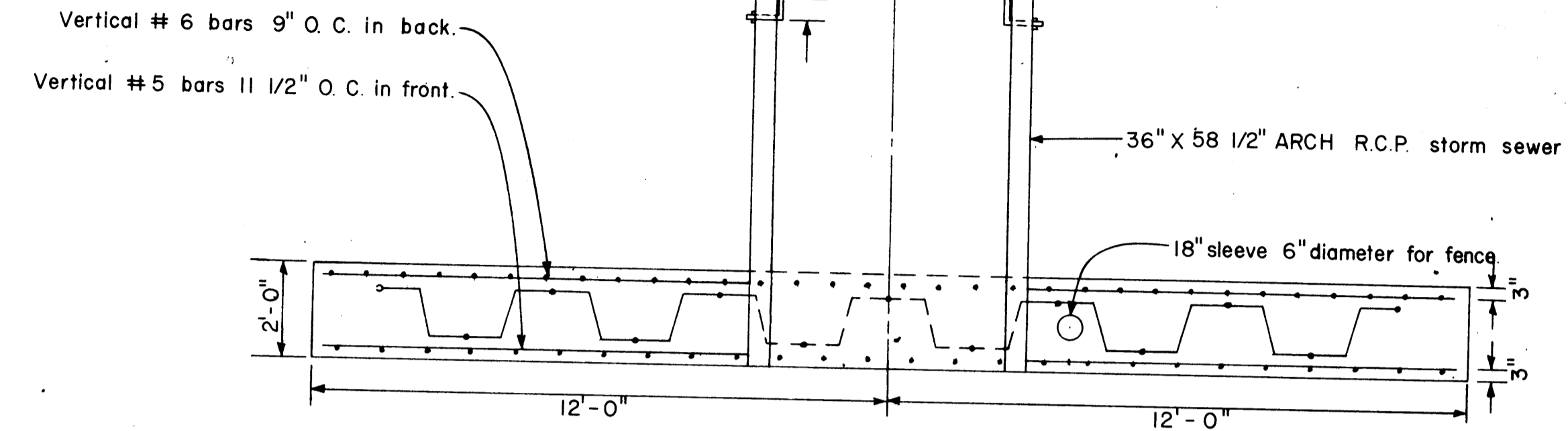
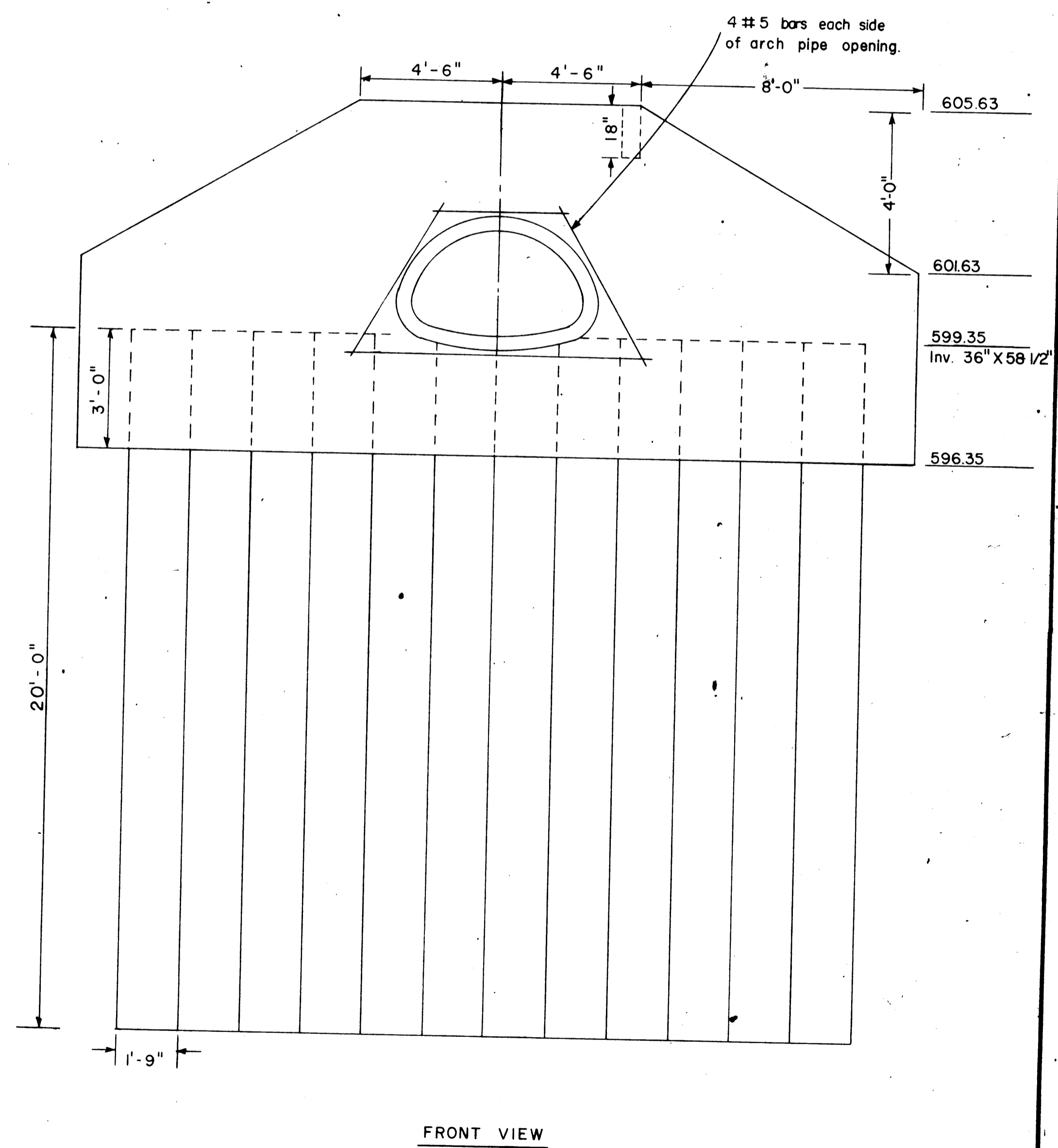


NOTE: Tie IO joints near outlet with 3/4" Ø galvanized U bolts - 4 each joint at quarter points.

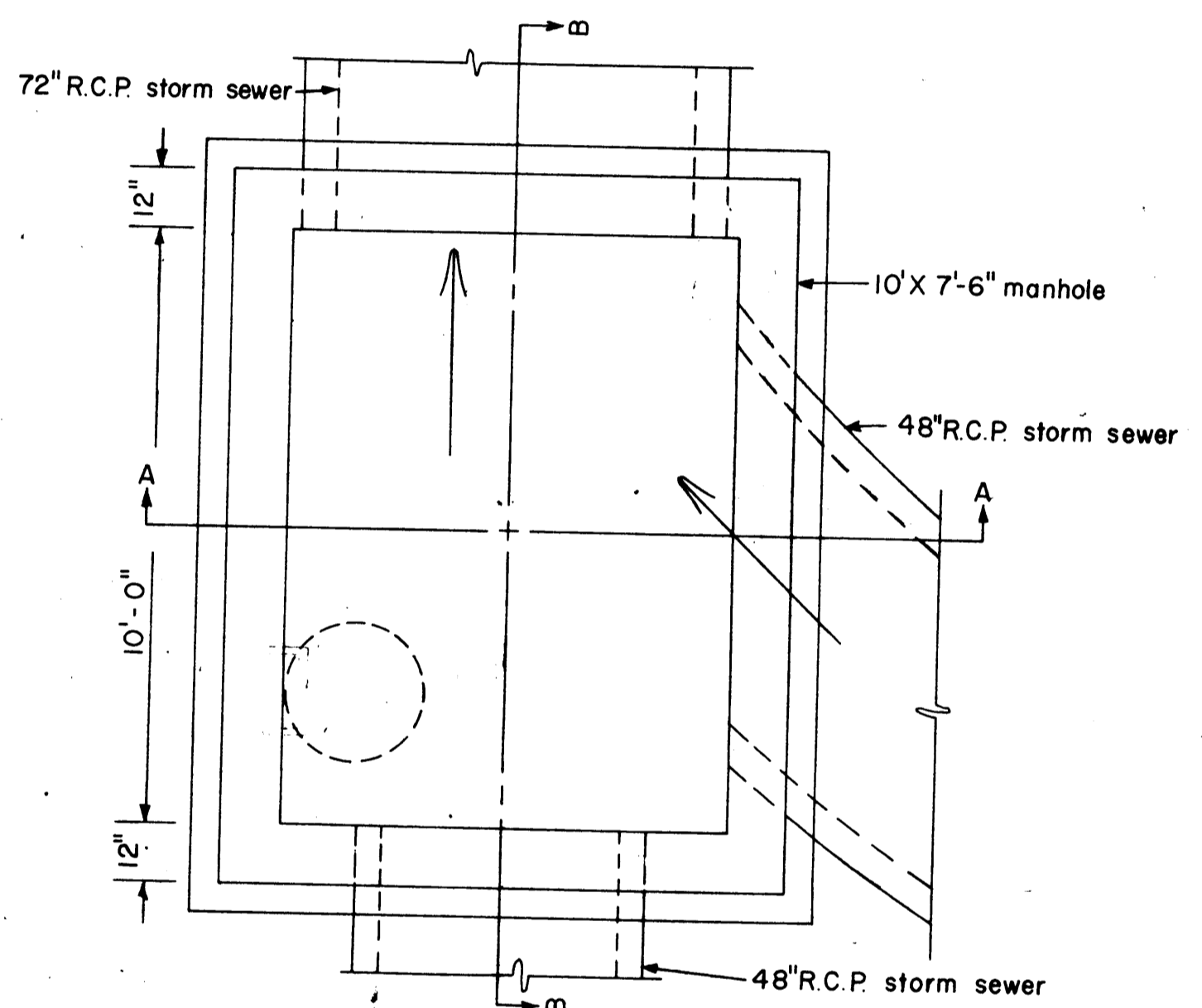


TOP VIEW

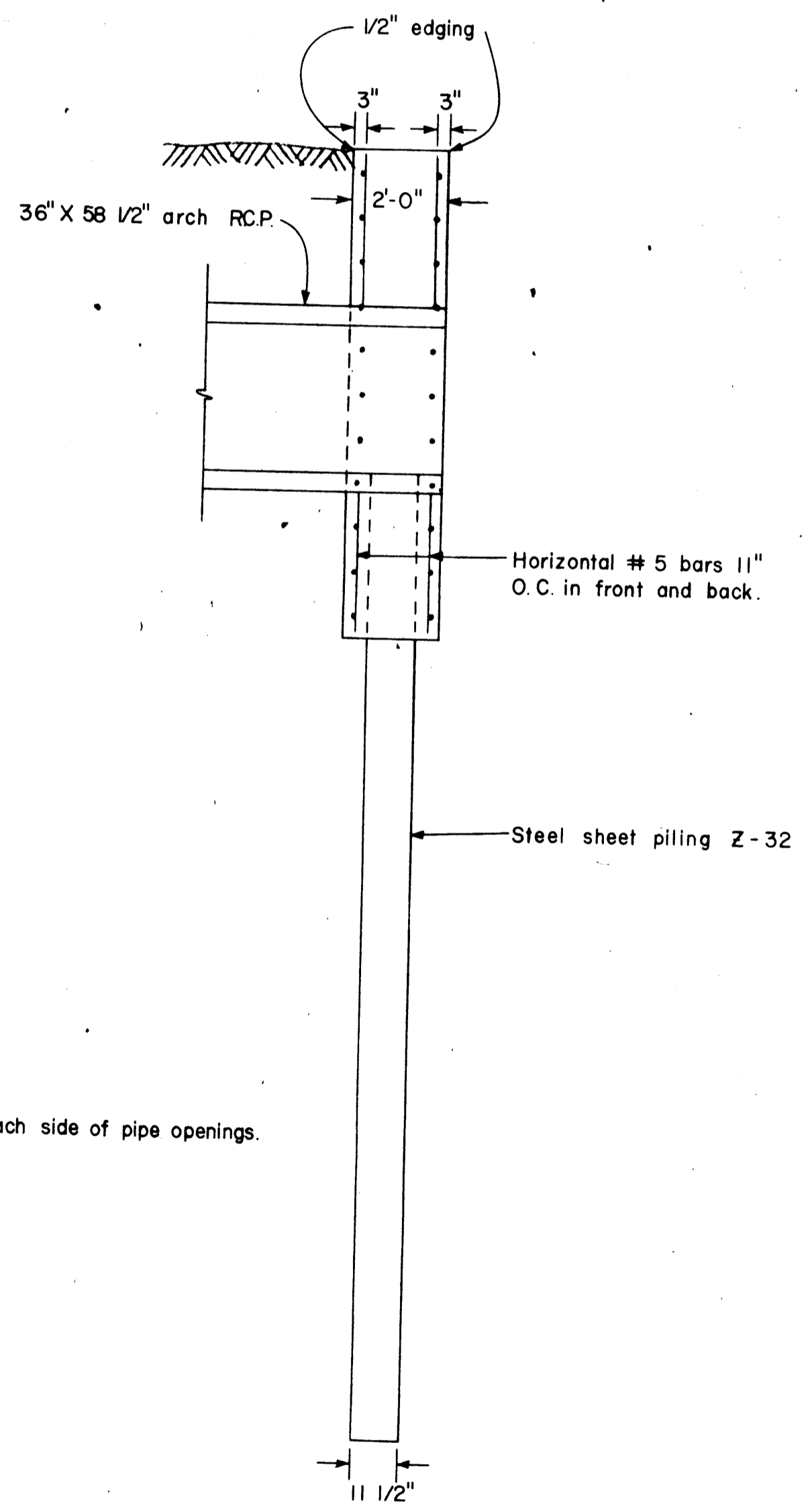


C ST. OUTLET

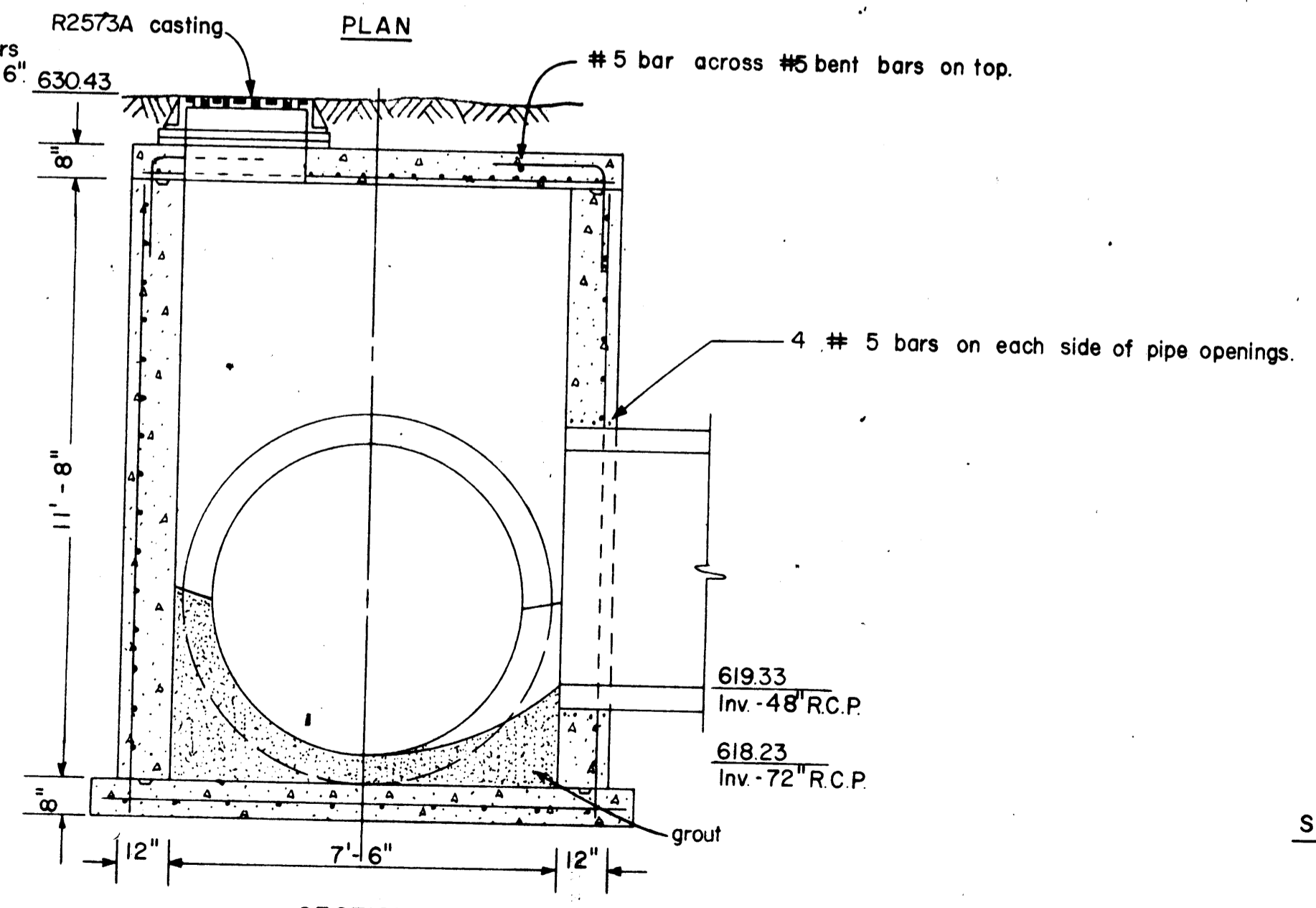
Scale 3/8" = 1'-0"



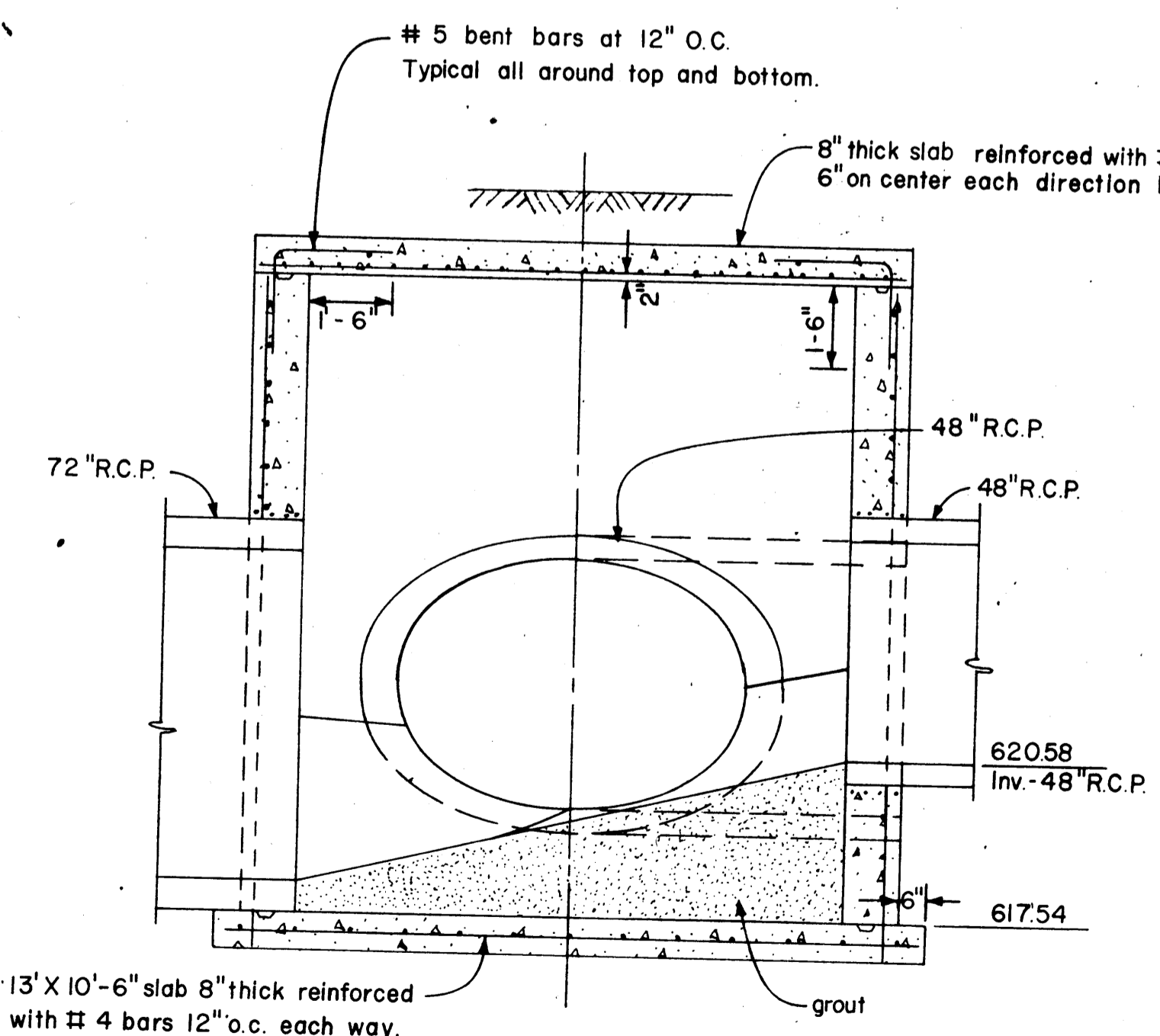
PLAN



SIDE VIEW



SECTION A-A



SECTION B-B

SPECIAL CBMH-93 (WINTER & OAKES)

Scale: 3/8" = 1'-0"