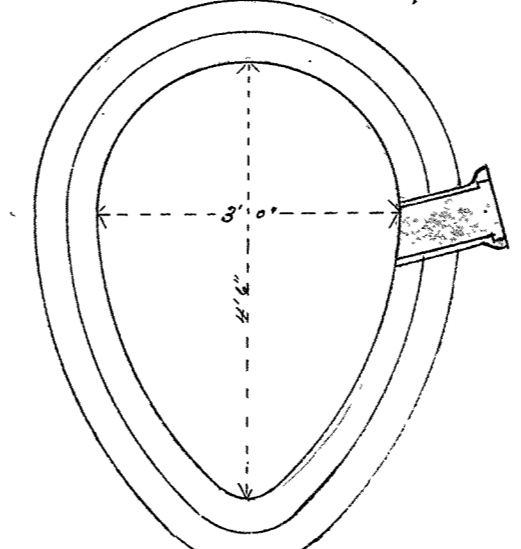
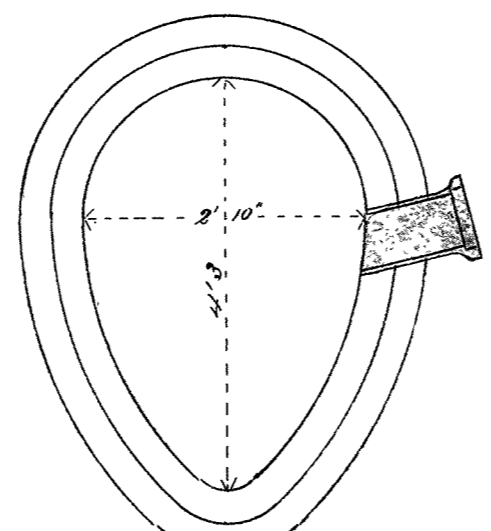
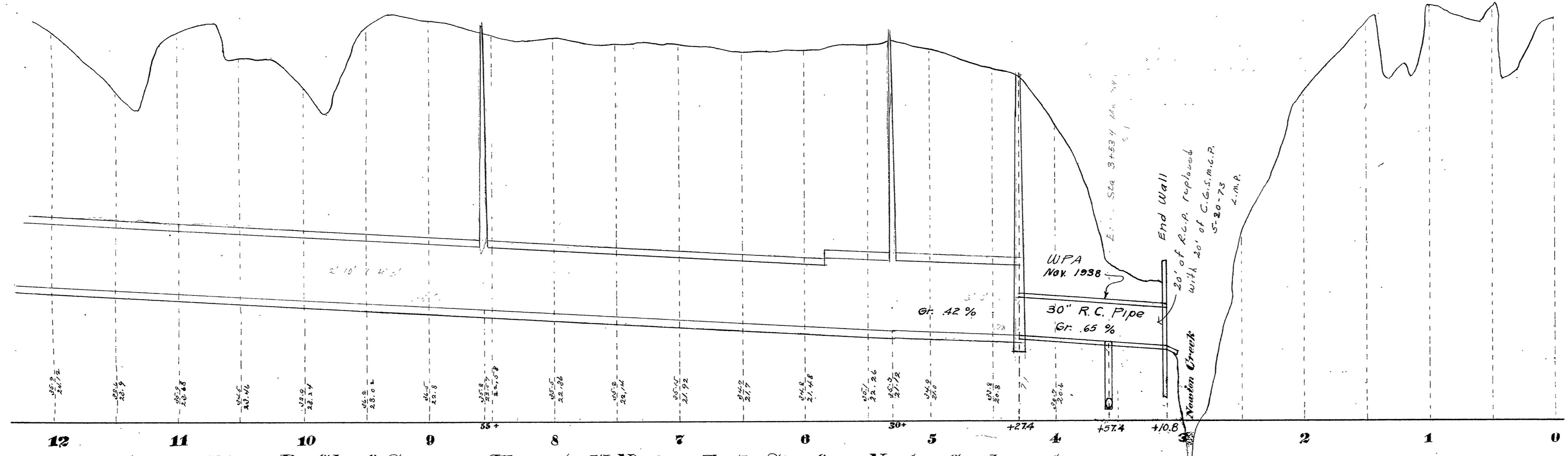


**CITY OF SUPERIOR  
SEWER PLAN**

Contract let July 1, 1890  
completed Aug 4, 1891  
Sullivan Bros. Contractor, Assigned to F.A. Dole  
Coleman, Inspector  
E. B. Banks, City Engr.



Scale: { Horizontal 1" = 60'  
Vertical Surface 1" = 4'  
Sewer Grade 1" = 5'  
Section 1" = 2'



Plan & Profile of Sewer in Alley betw. W. Ninth and Tenth Strs. from Newton Creek west