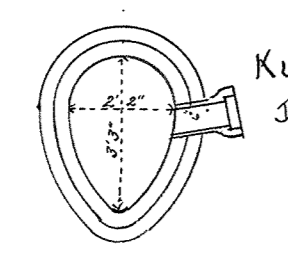


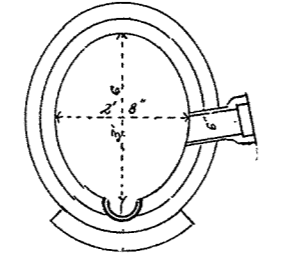
**CITY OF SUPERIOR
SEWER PLAN**

1893

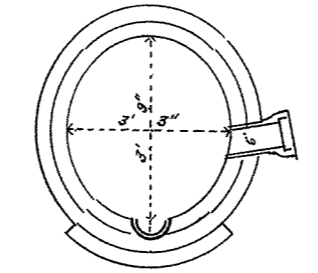
Contract let June 25, 1891
completed July 1, 1892
Kirkland & Starkey, Contractor
John Dailey, Inspector
E. B. Banks, City Engr.



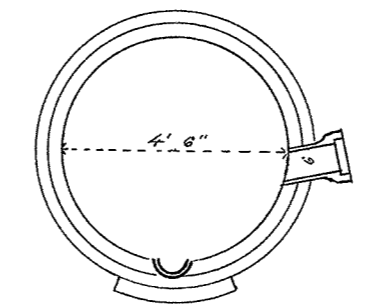
Section of 22x33" Sewer



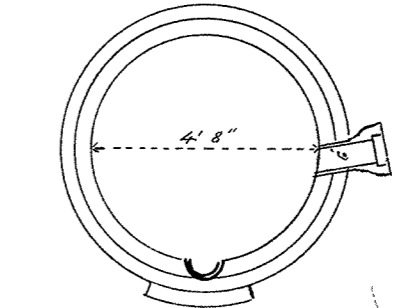
Section of 28x36" Sewer



Section of 33x39" Sewer

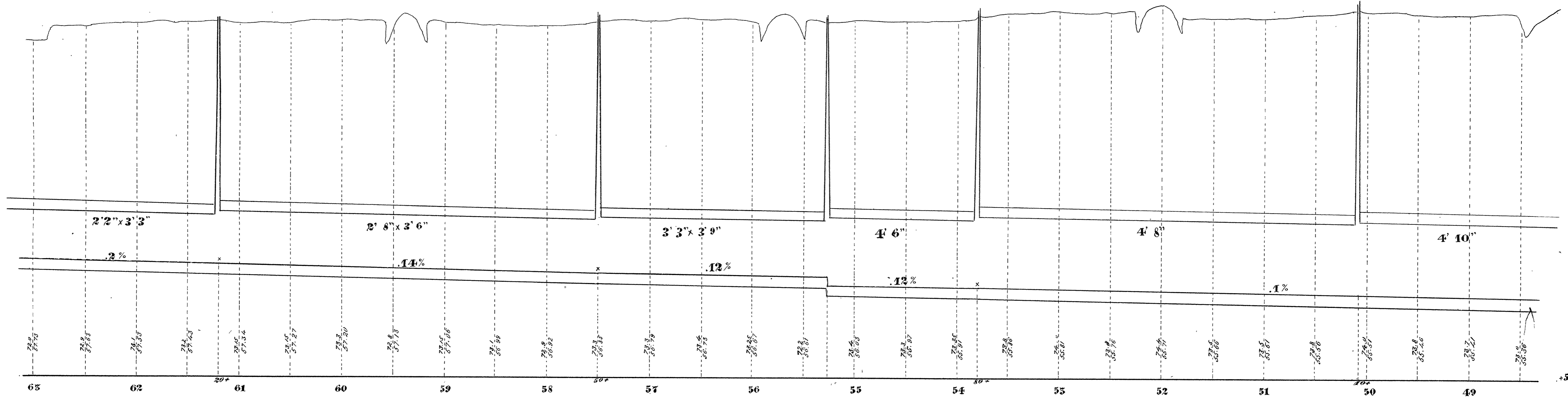


Section of 4' 6" Sewer



Section of 4' 8" Sewer

Scale { Horizontal 60ft. = Inch.
Vertical 4ft. = Inch
Section 4ft. = Inch



Plan & Profile of Sewer in Alley South of Central Ave. from Hammond to Tower Ave.