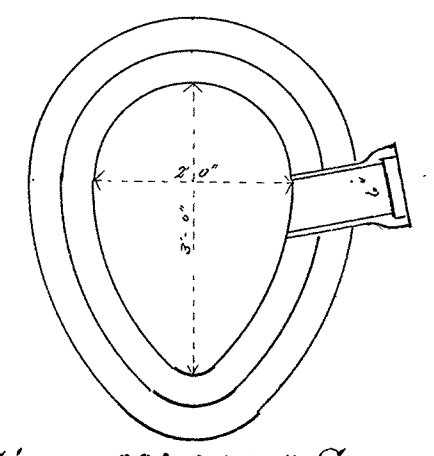


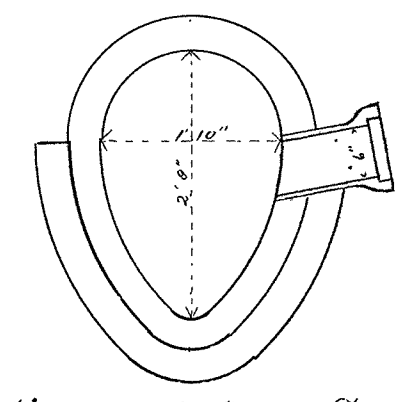
1893

**CITY OF SUPERIOR
SEWER PLAN**

Contract let Aug. 31, 1892
 completed Nov 16, 1892
 Moore & Son, Contractor
 H. E. Brooks & H. A. Carlson, Inspectors
 A. S. Cooper, City Engineer

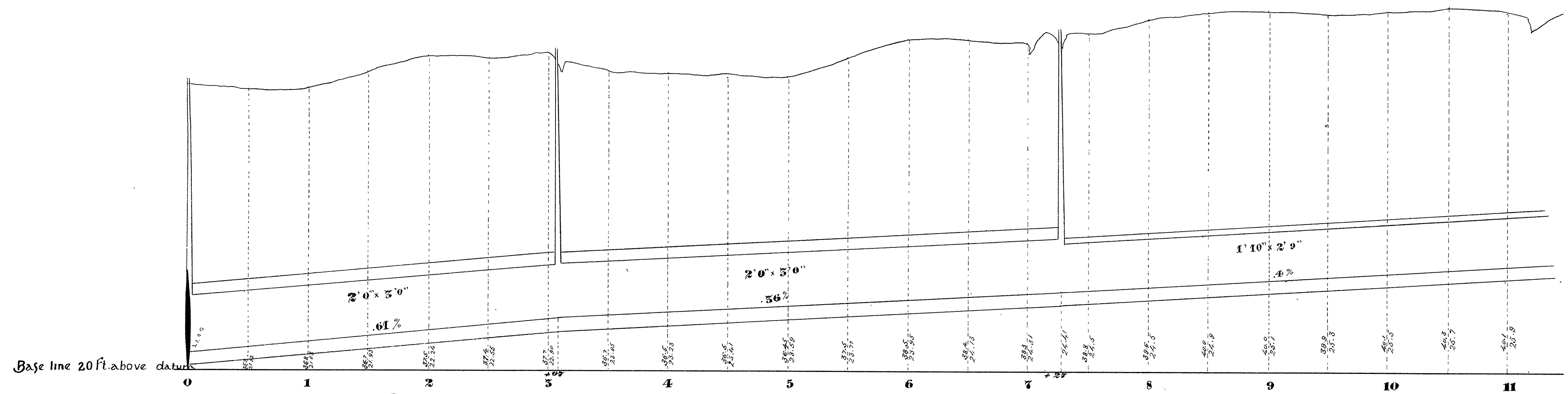


Section of 20' x 3' 0" Sewer



Section of 10' x 2' 9" Sewer

Scale: { Horizontal 60ft. = 1inch
 Vertical 4ft. = 1inch
 Section 4ft. = 1inch



Plan & Profile of Sewer in Alley betw. Ohio and Iowa Aves. from Belknap to Eighteenth St.

6-13