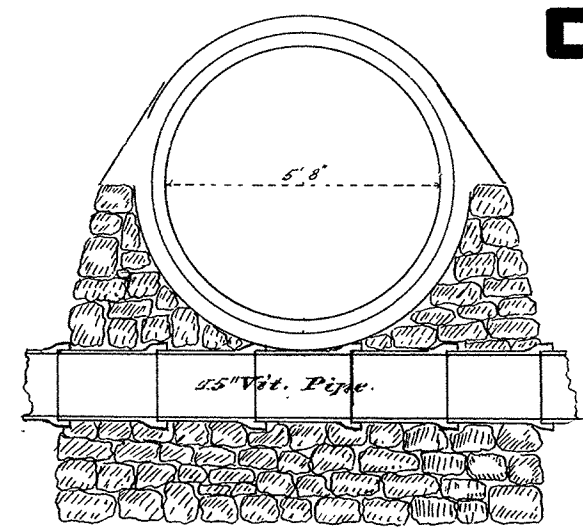


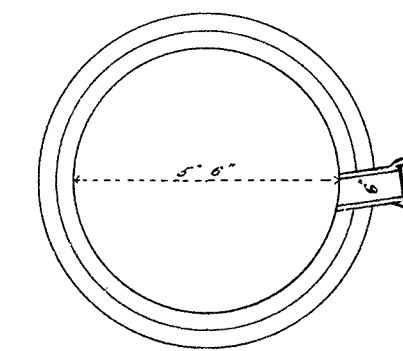
**CITY OF SUPERIOR**

**SEWER PLAN**

Contract let June 9, 1892  
 completed Nov. 18, 1892  
 Kirkland & Starkey, Contractor  
 W. Anderson, Inspector  
 A. T. Thomas, City Engineer

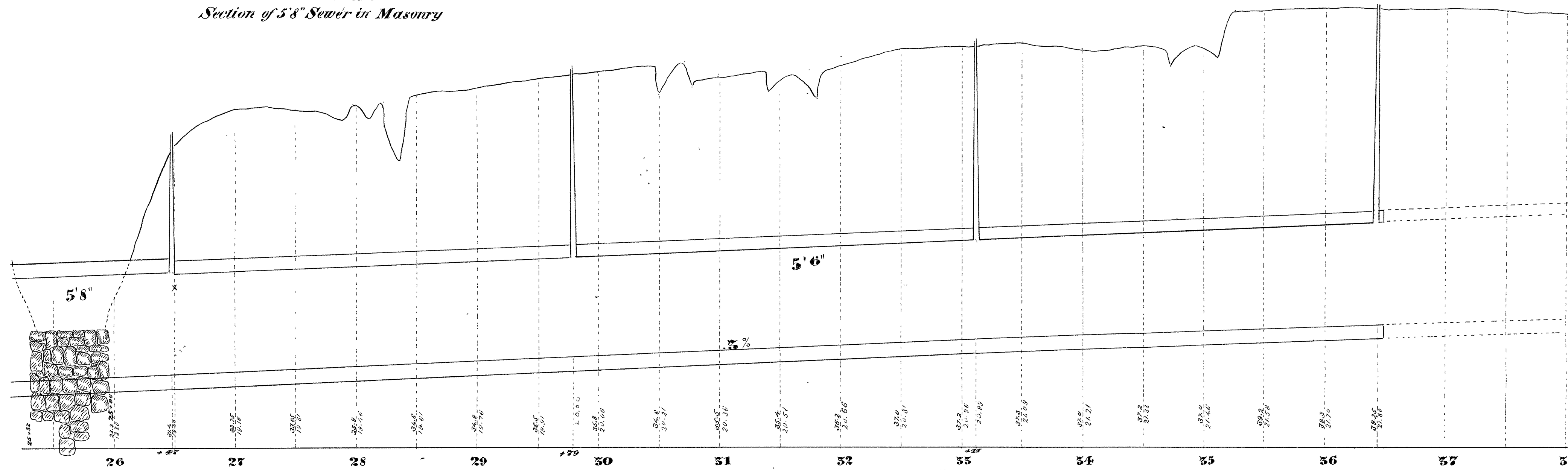


Section of 5'8" Sewer in Masonry



Section of 5'6" Sewer

Scale: { Horizontal 60 ft. = 1 inch  
 Vertical 4 ft. = 1 inch  
 Section 4 ft. = 1 inch



Plan & Profile of Sewer in Alley betw. Belknap and 16<sup>th</sup> St. from Wisconsin Ave. East

Base line 15 ft. above datum