

Farad
12/1/04

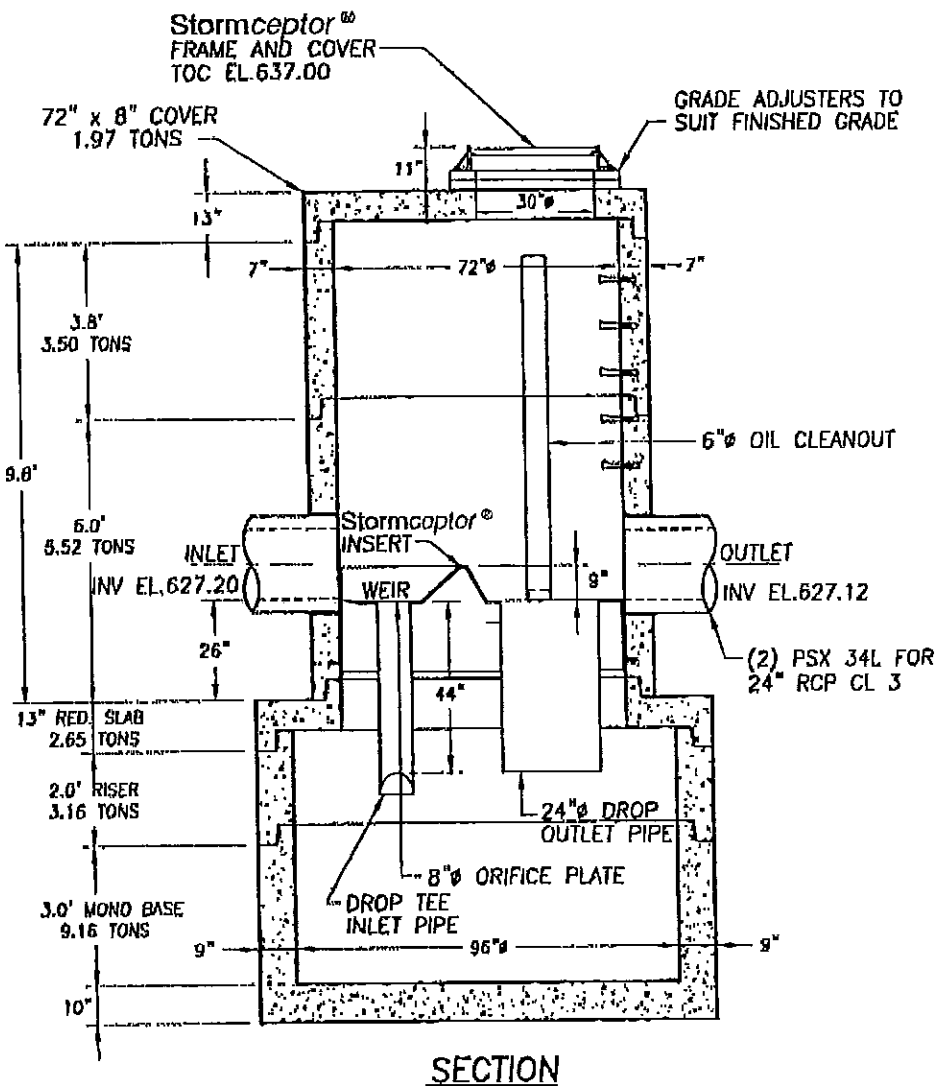
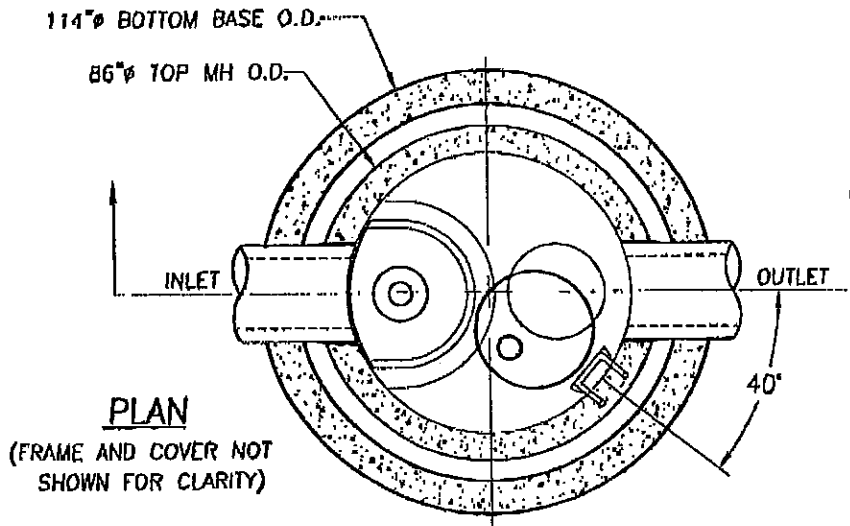
PRELIMINARY DRAWING
FOR
DESIGN APPROVAL
APPR'D *MPS* DATE *12/1/04*
THIS DRAWING IS SUBMITTED FOR APPROVAL
ONLY AND IS NOT TO BE USED FOR
FABRICATION OR INSTALLATION
ELK RIVER CONCRETE PRODUCTS


TO BE MADE IN ELK RIVER

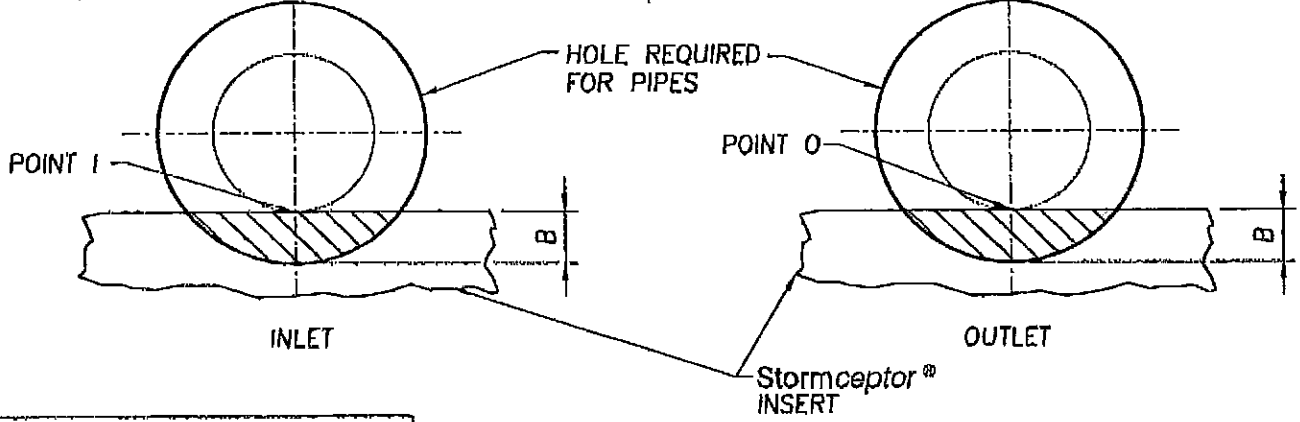
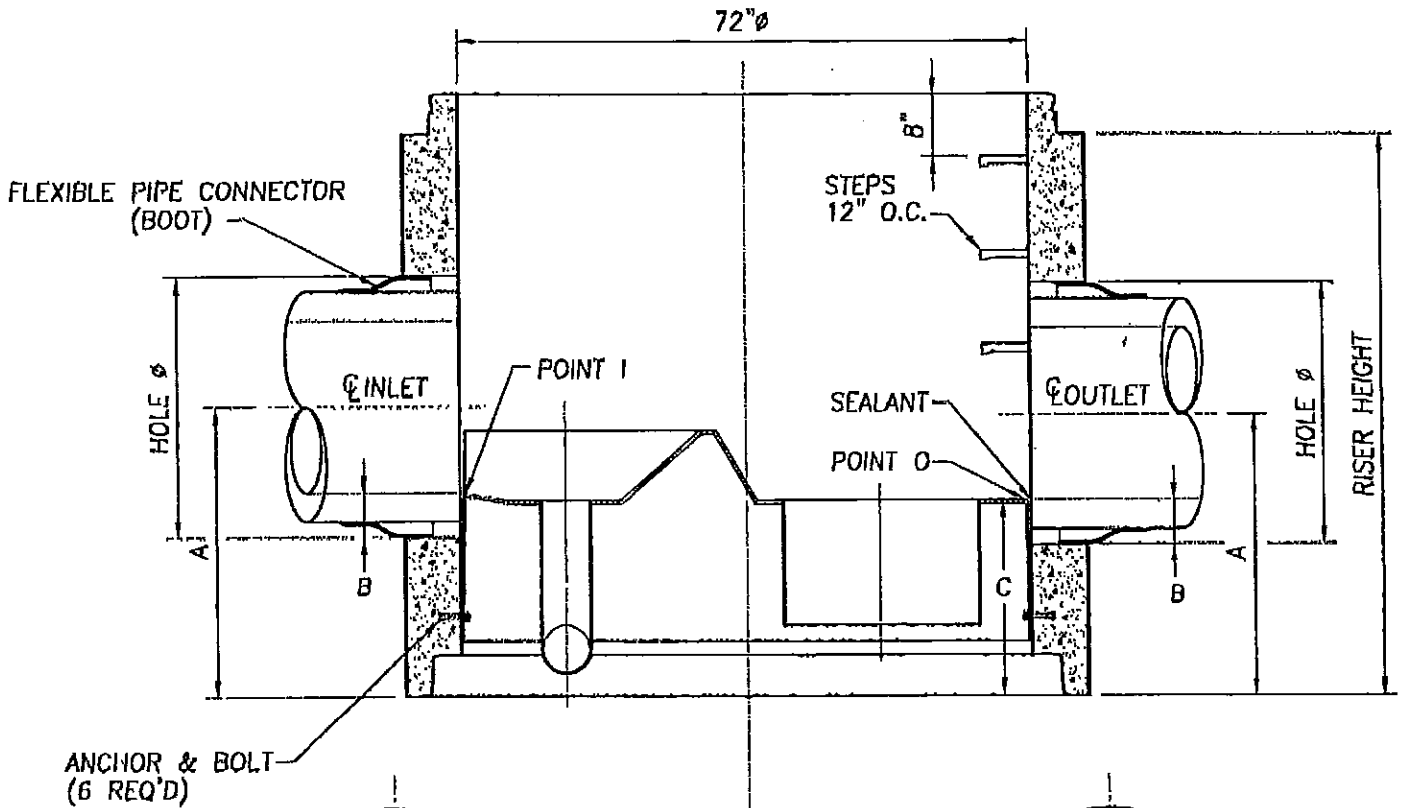
Stormceptor®

GENERAL NOTES

1. Stormceptor® SECTIONS SHALL CONFORM TO ASTM C 478, O-RING GASKETED JOINTS SHALL CONFORM TO ASTM C 443. GASKETS SHALL BE NEOPRENE
2. MANHOLE STEPS PROVIDED ABOVE INSERT @ 12" O.C. AND SHALL BE COPOLYMER POLYPROPYLENE PLASTIC ENCAPSULATED GR. 60 STEEL.
3. MINIMUM CONCRETE STRENGTH $f'_c = 4,000$ PSI
MINIMUM STEEL STRENGTH $f_y = 60,000$ PSI
4. REINFORCEMENT DESIGN SHALL MEET ASTM C 478.
5. FLEXIBLE PIPE CONNECTORS SHALL MEET ASTM C 923.
6. HANDLING:
A. ALL RISERS SHALL HAVE 2 EA. 2 1/4" x 3 1/2" HOLES FOR LIFTING @ 1/3 WAY DOWN FROM TONGUE.
B. ALL BASE SLABS, COVERS, AND REDUCERS TO HAVE LIFT HOOKS.
7. DESIGNED FOR AASHTO HS-25 LOADING.
8. FIBERGLASS Stormceptor® INSERT REFERENCE DRAWING NO. STC-DISC



 <p>Cretex Concrete Products North, Inc. Maple Grove, MN Phone: (763) 545-7473 Fax: (763) 545-8399</p>	<p>TITLE STORMCEPTOR MODEL 2400 SUPERIOR, WI</p>		<p>DRAWING NUMBER 004998</p>	
	<p>PLANT: ELK RIVER</p>	<p>SCALE: 1/4" = 1'-0"</p>	<p>REVISION</p>	
<p>R/S 004998</p>	<p>RELEASED FOR FABRICATION</p>	<p>DATE: 11-23-04</p>	<p>CHANGED PIPE SIZE, OUTLET ELEVATION</p>	
<p>CONTR. NORTHWOODS SAND & GRAVEL</p>	<p>BY: DAVE C. JOHNSON</p>		<p>DCJ</p>	<p>12-01-04</p>



PIPE REQUIREMENTS		
	INLET	OUTLET
SIZE	24"	24"
TYPE	RCP	RCP
HOLE Ø	34"	34"
BOOT REQ'D	34L	34L
A	35"	34"
B	5"	5"
C	25"	
RISER HT.	3.8', 6.0'	

DROP PIPE REQUIREMENTS		
	TEE/INLET	STRAIGHT/OUTLET
SIZE	8	24"
LENGTH	44	44

 ELK RIVER CONCRETE PRODUCTS MAPLE GROVE, MINNESOTA (763) 545-7473			
SCALE	1/2"=1'-0"	REVISION	BY DATE
DATE	11-23-04	CHANGED PIPE SIZE, OUTLET ELEVATION	DCJ 12-01-04
DR'N.	DCJ APVD		
TITLE	Stormceptor® INSERT DISC INSTALLATION DETAILS		NUMBER 004998